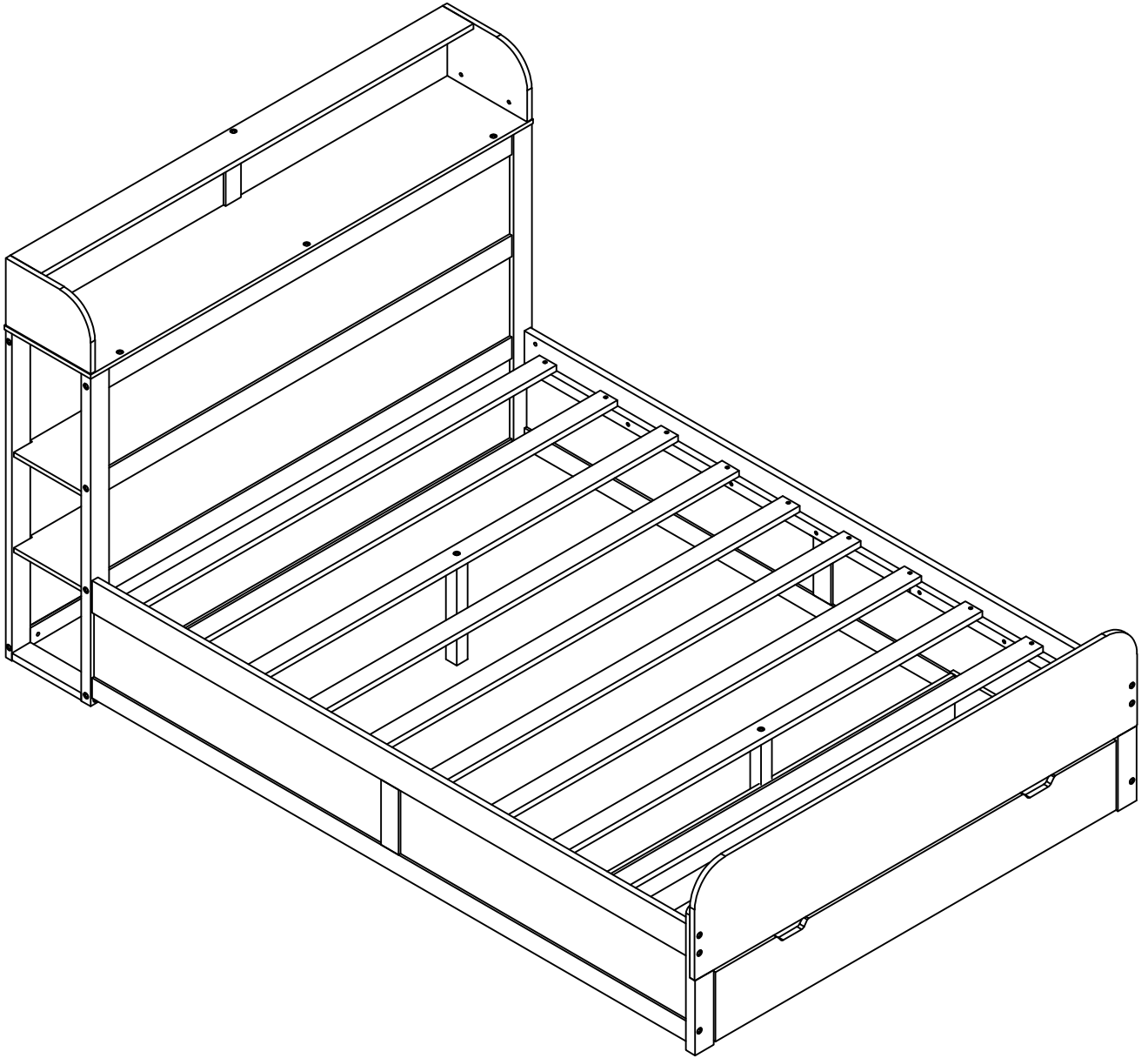
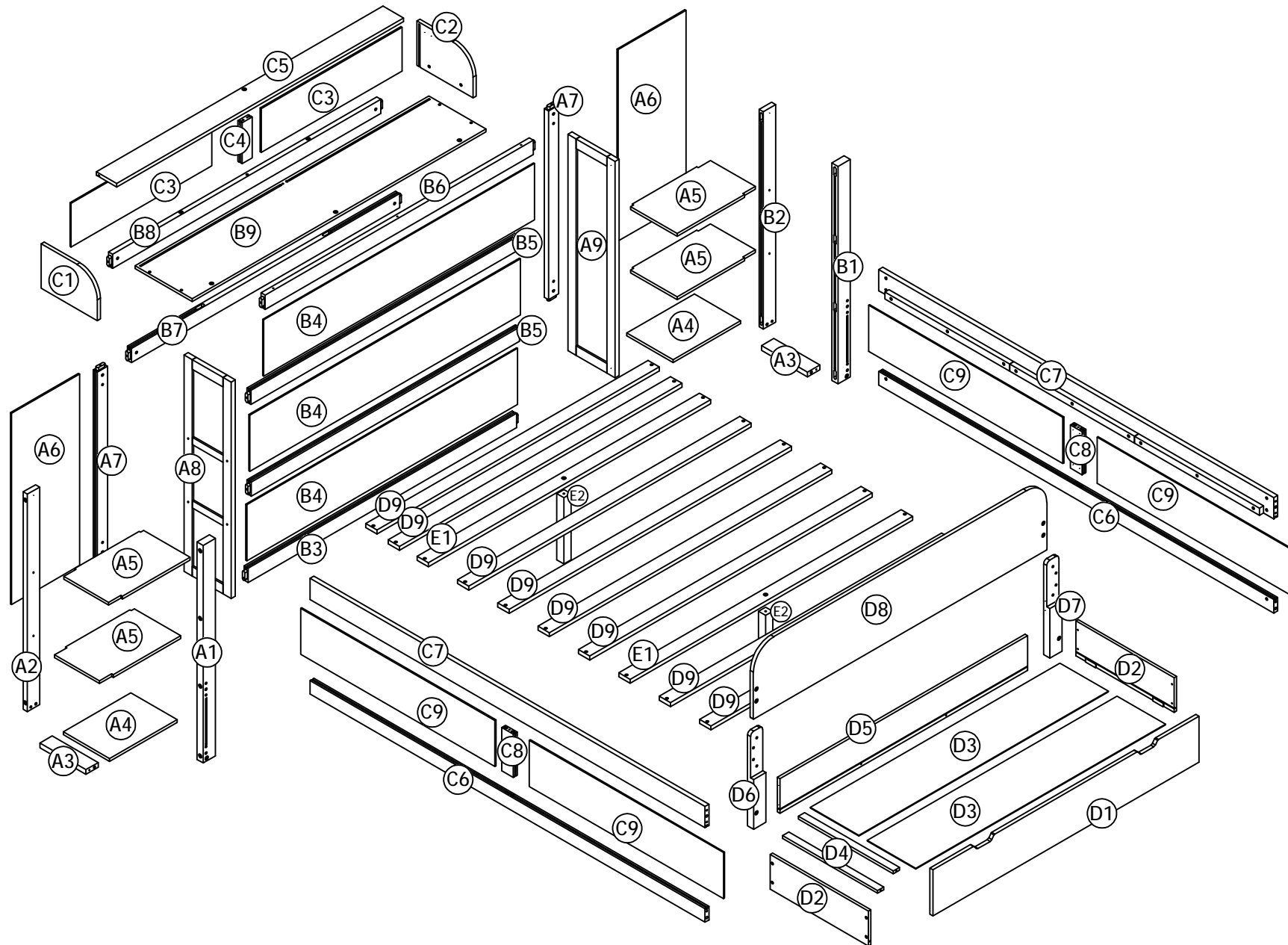


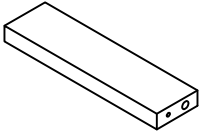
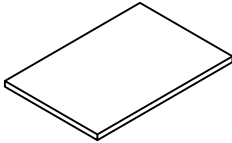
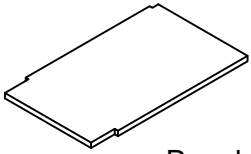
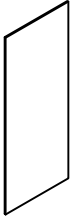


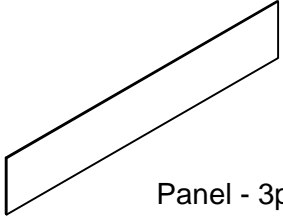

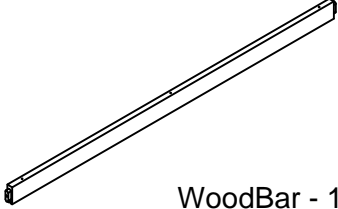
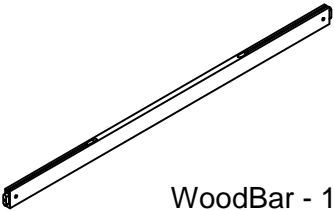
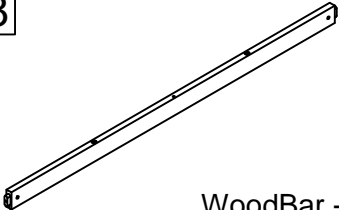
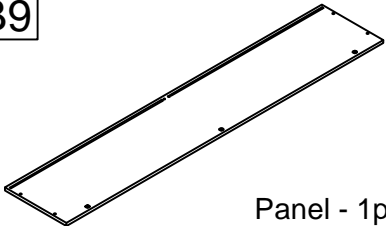
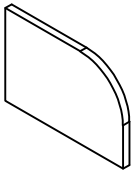
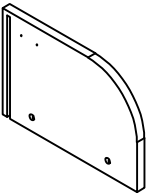
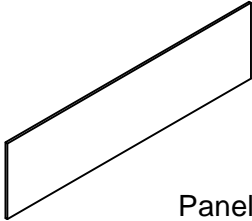
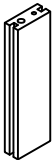
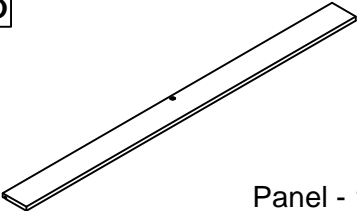
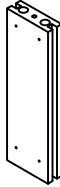
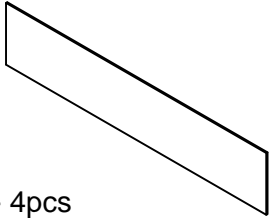
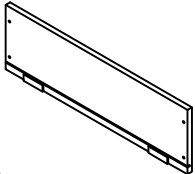
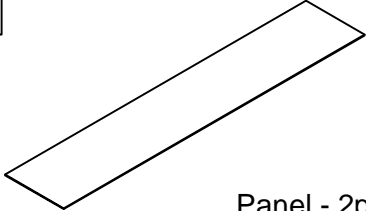
ASSEMBLY INSTRUCTION



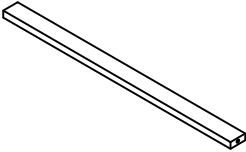
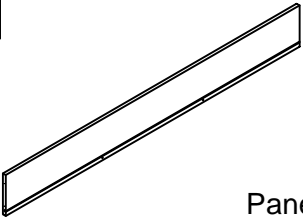


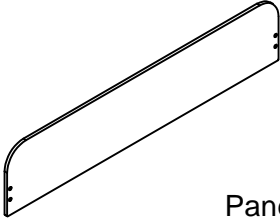
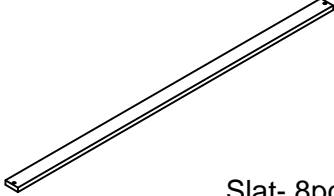
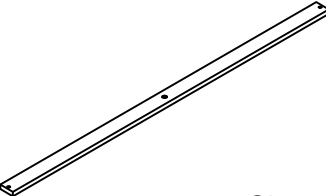
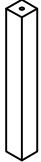
ASSEMBLY INSTRUCTION





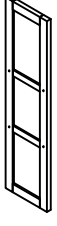



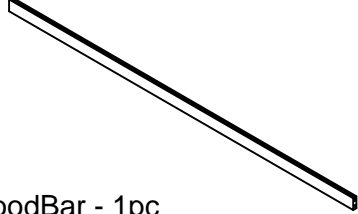
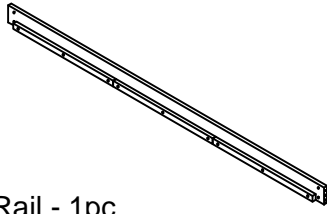
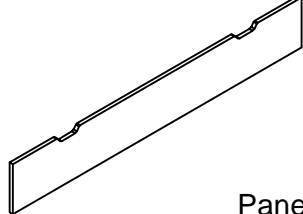
Part List (Box 1)

<p>A3</p>  <p>WoodBar - 2pcs</p>	<p>A4</p>  <p>Panel - 2pcs</p>	<p>A5</p>  <p>Panel - 4pcs</p>
<p>A6</p>  <p>Panel - 2pcs</p>	<p>A7</p>  <p>WoodBar - 2pcs</p>	<p>B3</p>  <p>WoodBar - 1pc</p>
<p>B4</p>  <p>Panel - 3pcs</p>	<p>B5</p>  <p>WoodBar - 2pcs</p>	<p>B6</p>  <p>WoodBar - 1pc</p>
<p>B7</p>  <p>WoodBar - 1pc</p>	<p>B8</p>  <p>WoodBar - 1pc</p>	<p>B9</p>  <p>Panel - 1pc</p>
<p>C1</p>  <p>Panel - 1pc</p>	<p>C2</p>  <p>Panel - 1pc</p>	<p>C3</p>  <p>Panel - 2pcs</p>
<p>C4</p>  <p>WoodBar - 1pc</p>	<p>C5</p>  <p>Panel - 1pc</p>	<p>C8</p>  <p>WoodBar - 2pcs</p>
<p>C9</p>  <p>Panel - 4pcs</p>	<p>D2</p>  <p>Panel - 2pcs</p>	<p>D3</p>  <p>Panel - 2pcs</p>

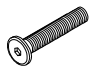
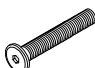
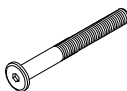
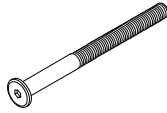
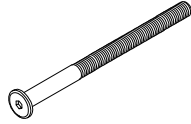
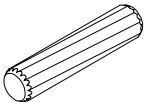
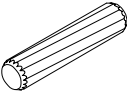
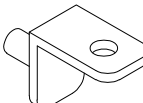
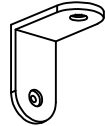
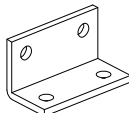


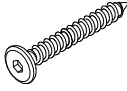
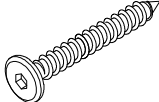
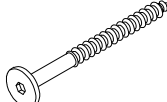


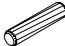
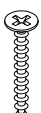


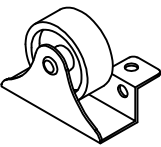
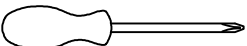
Part List (Box 1)

<p>D4</p>  <p>WoodBar - 2pcs</p>	<p>D5</p>  <p>Panel - 1pc</p>	<p>D6</p>  <p>WoodBar - 1pc</p>
<p>D7</p>  <p>WoodBar - 1pc</p>	<p>D8</p>  <p>Panel - 1pc</p>	<p>D9</p>  <p>Slat - 8pcs</p>
<p>E1</p>  <p>Slat - 2pcs</p>	<p>E2</p>  <p>WoodBar - 2pcs</p>	

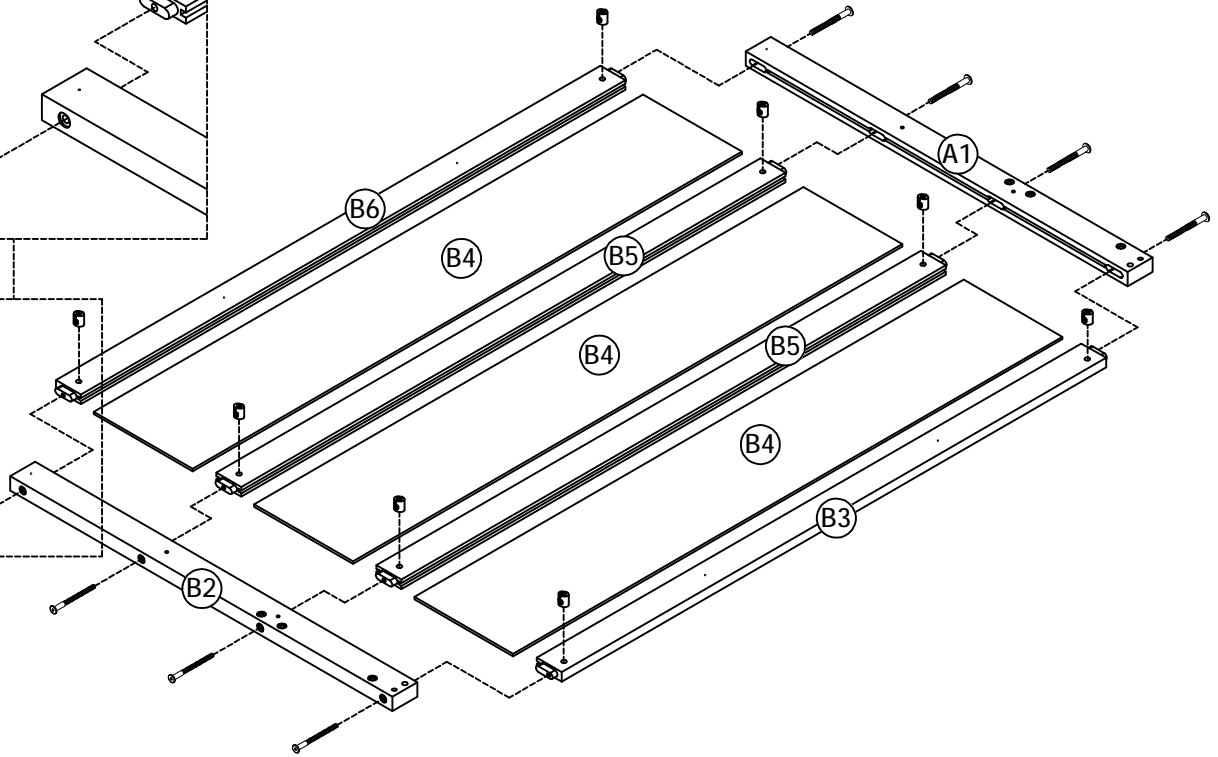
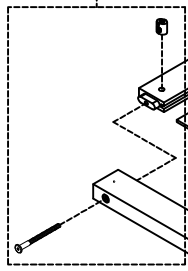
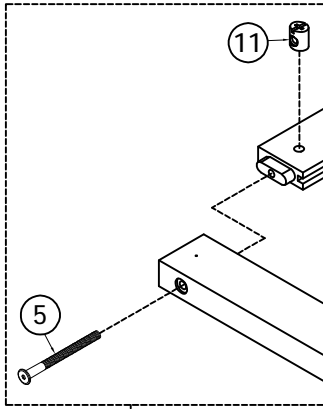
Part List & Hardware List (Box 2)



A1  WoodBar - 1pc	A2  WoodBar - 1pc	A8  Panel - 1pc
A9  Panel - 1pc	B1  WoodBar - 1pc	B2  WoodBar - 1pc
C6  WoodBar - 1pc	C7  Side Rail - 1pc	D1  Panel - 1pc

Hardware List (Box 2)

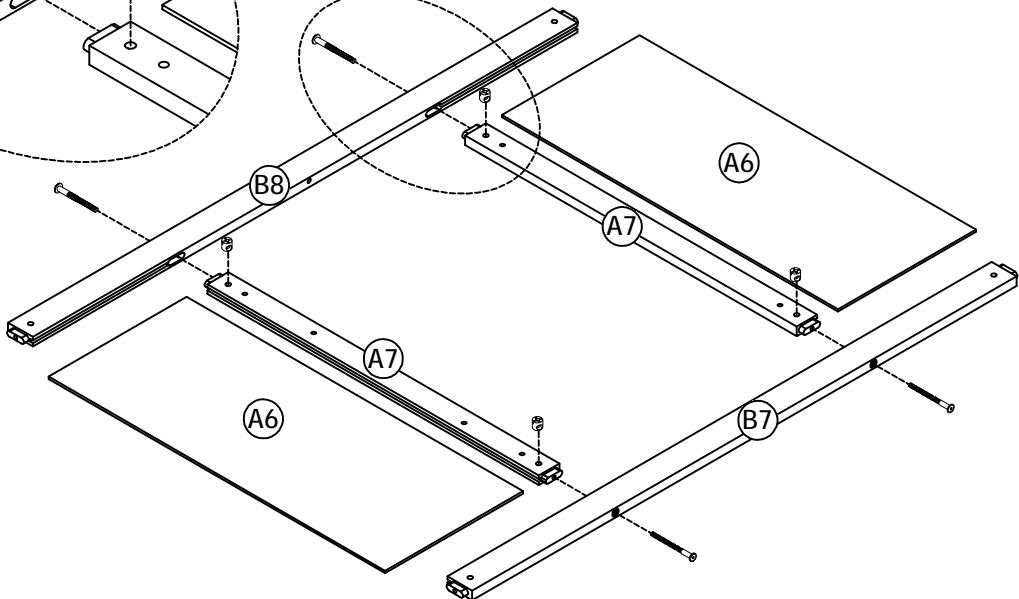
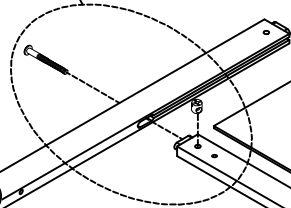
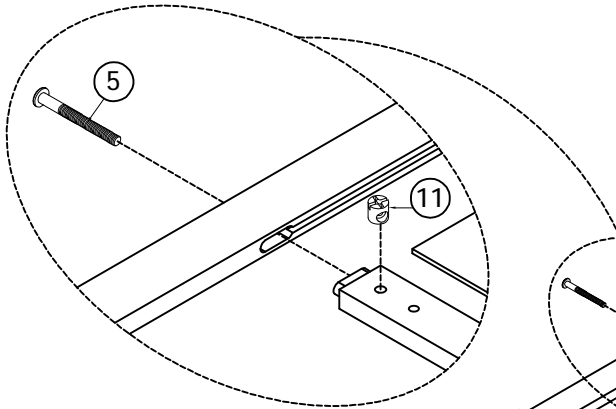
<p>1</p>  <p>Ø1/4" x 25mm Hex-Head bolts 4pcs</p>	<p>2</p>  <p>Ø1/4" x 30 Hex-Head bolts 2pcs</p>	<p>3</p>  <p>Ø1/4" x 50mm Hex-Head bolts 4pcs</p>
<p>4</p>  <p>Ø1/4" x 80mm Hex-Head bolts 12pcs</p>	<p>5</p>  <p>Ø1/4" x 100mm Hex-Head bolts 16pcs</p>	<p>6</p>  <p>Ø10 x 40 mm Wood dowel 12pcs</p>
<p>7</p>  <p>Ø8 x 30 mm Wood dowel 18pcs</p>	<p>8</p>  <p>L-Bracket 16pcs</p>	<p>9</p>  <p>L-Bracket 2*16*26 8pcs</p>
<p>10</p>  <p>Metal L-Bracket 4pcs</p>	<p>11</p>  <p>Ø1/4" x 13 mm Horizontal-Hole bolts 32pcs</p>	<p>12</p>  <p>Allen Key 1pc</p>
<p>13</p>  <p>Screws 1/4" x30 4pcs</p>	<p>14</p>  <p>Screws 1/4" x40 8pcs</p>	<p>15</p>  <p>Ø1/4" x 80 mm Hex-Head bolts 3pcs</p>
<p>16</p>  <p>M3.5 x 12mm Wood Screws 52pcs</p>	<p>17</p>  <p>M3 x 15mm Wood Screws 16pcs</p>	<p>18</p>  <p>Ø6 x 30 mm Wood dowel 2pcs</p>
<p>19</p>  <p>M4 x 30mm Wood Screws 34pcs</p>	<p>20</p>  <p>Stop Wood 2pcs</p>	<p>21</p>  <p>L-Bracket 1*12*25 2pcs</p>
<p>22</p>  <p>Whell 4pcs</p>	 <p>Assembly Tools Required (Not Included)</p> <p>06/22</p>	



STEP1: Following below illustration.



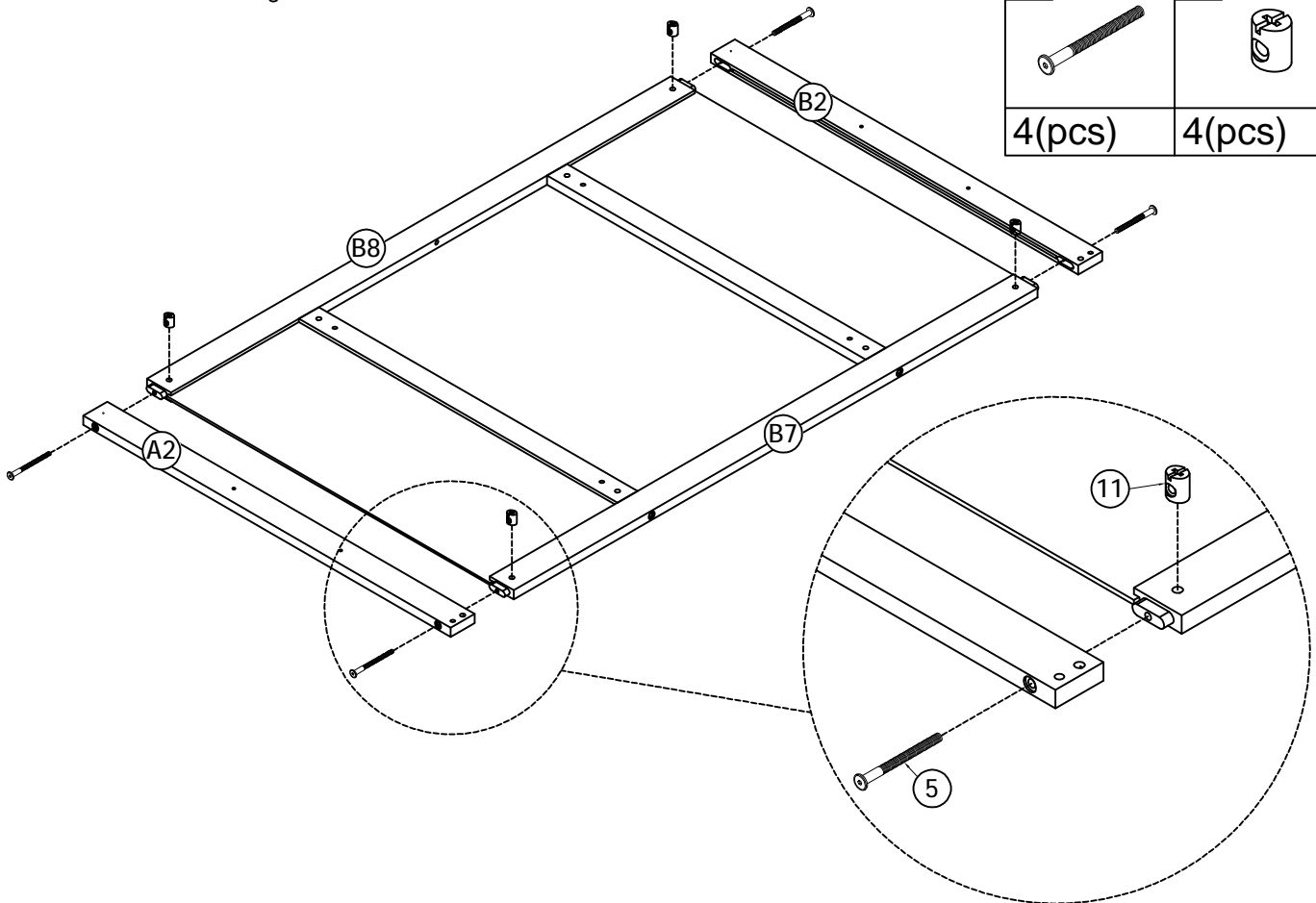
5	11
	
8(pcs)	8(pcs)



STEP2: Following below illustration.



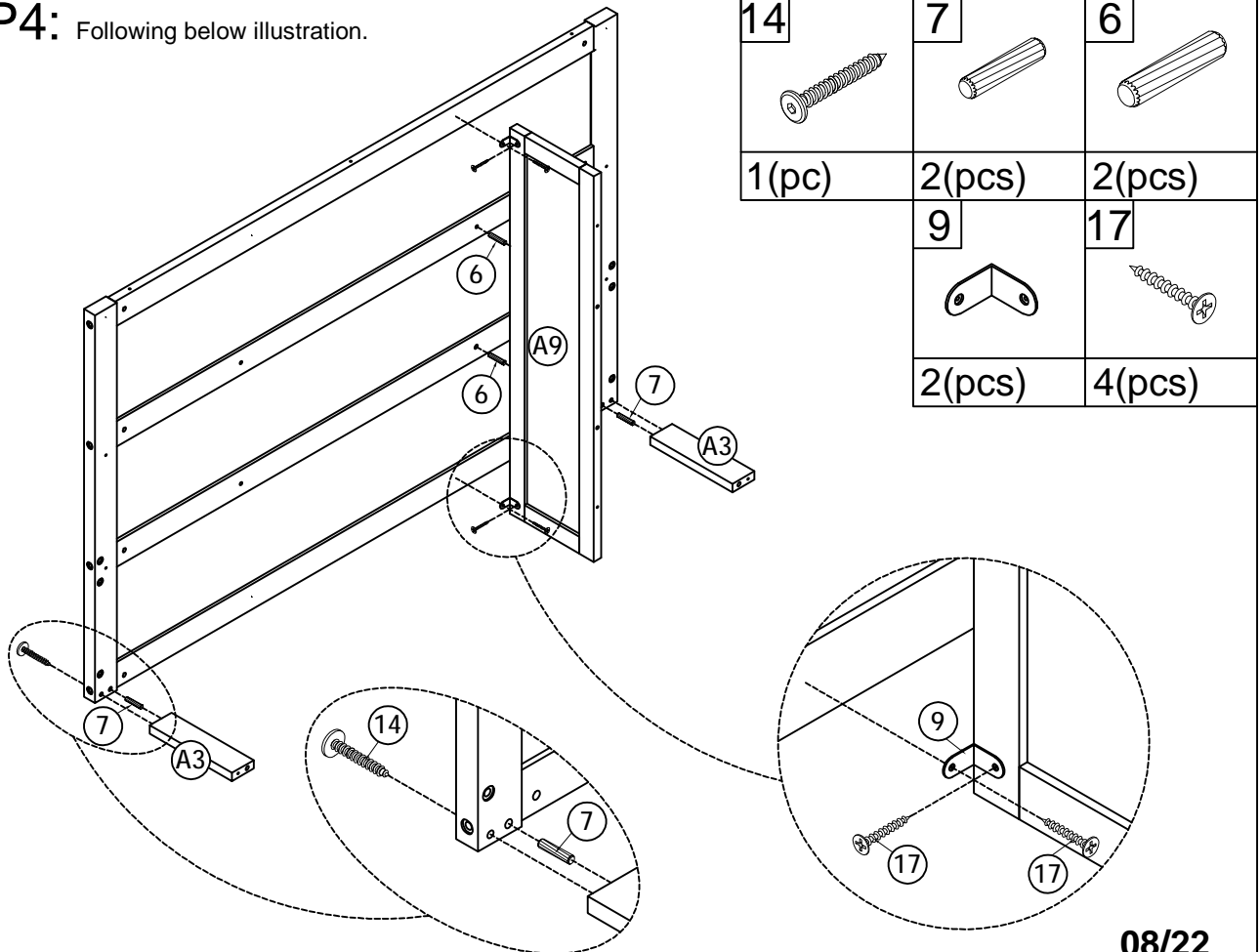
5	11
	
4(pcs)	4(pcs)

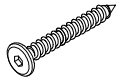
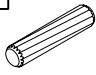
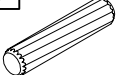
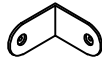
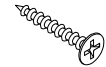
STEP3: Following below illustration.



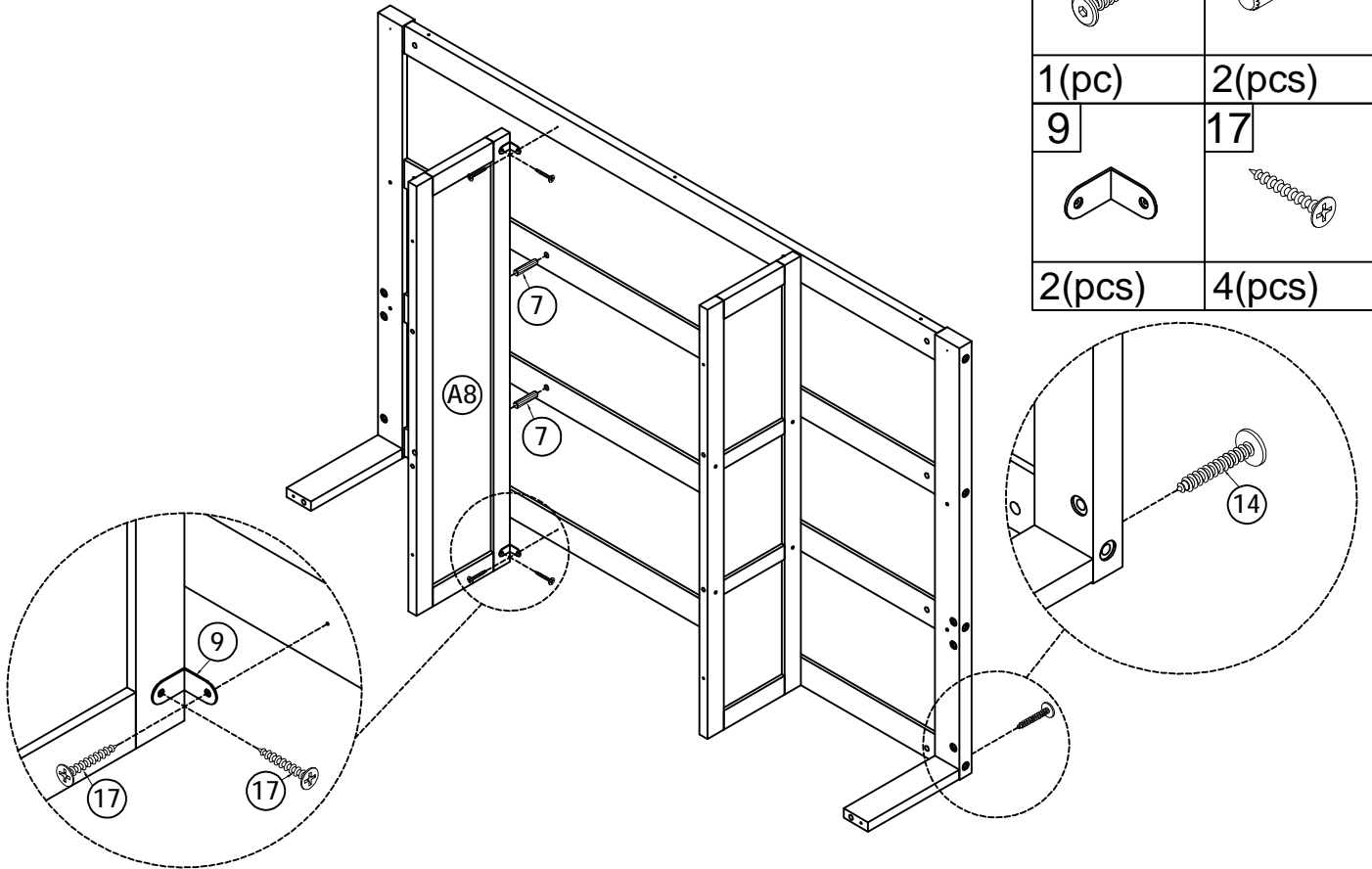
5	11
	
4(pcs)	4(pcs)

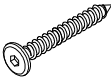
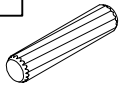
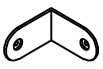
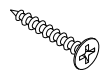
STEP4: Following below illustration.



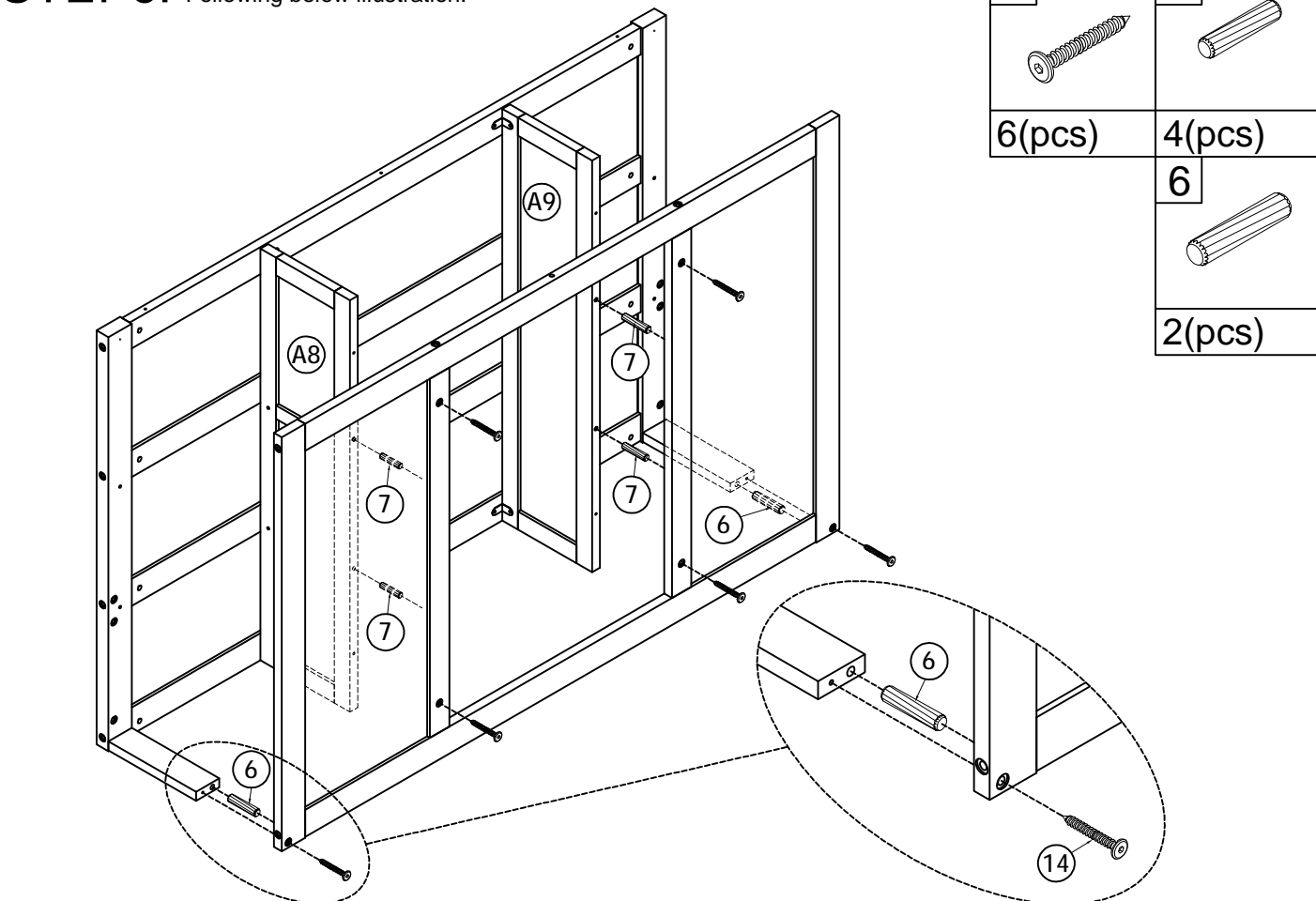
14	7	6
		
1(pc)	2(pcs)	2(pcs)
9	17	
		
2(pcs)	4(pcs)	

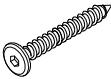
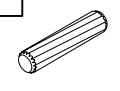
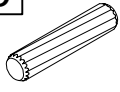
STEP5: Following below illustration.



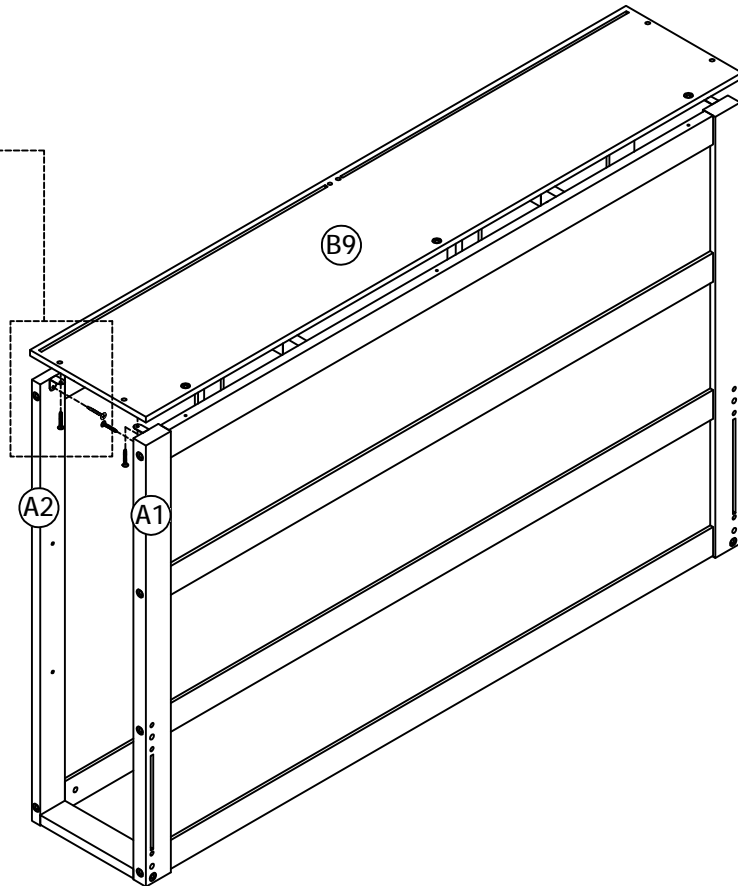
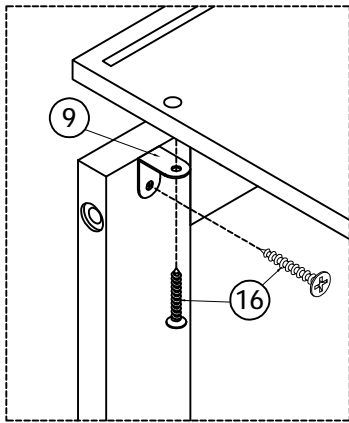
14	7
	
1(pc)	2(pcs)
9	17
	
2(pcs)	4(pcs)

STEP6: Following below illustration.

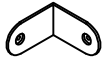


14	7
	
6(pcs)	4(pcs)
	6
	
	2(pcs)

STEP7: Following below illustration.

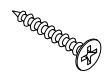


9



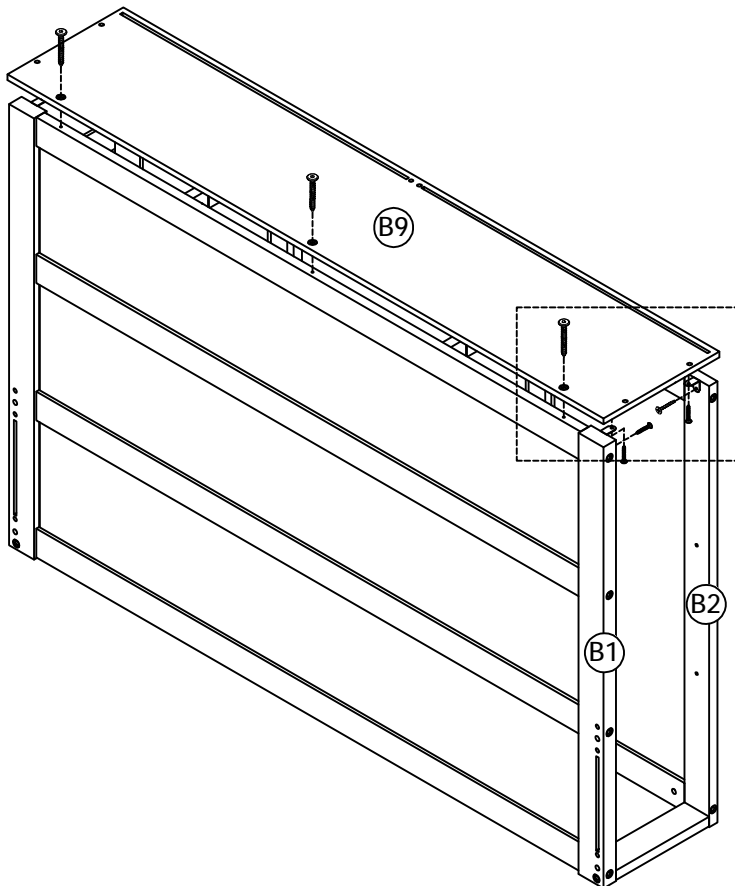
2(pcs)

16

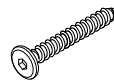


4(pcs)

STEP8: Following below illustration.

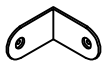


13



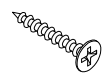
3(pcs)

9

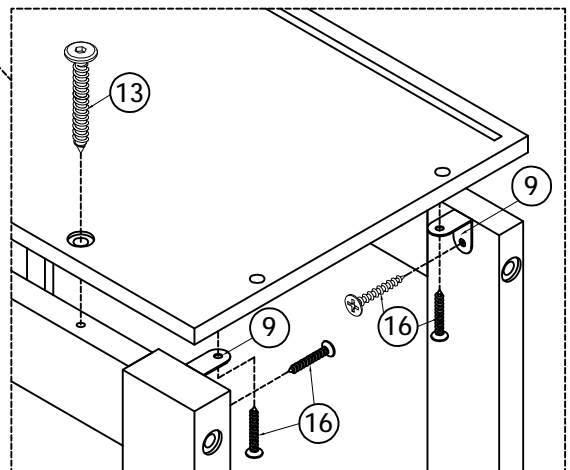


2(pcs)

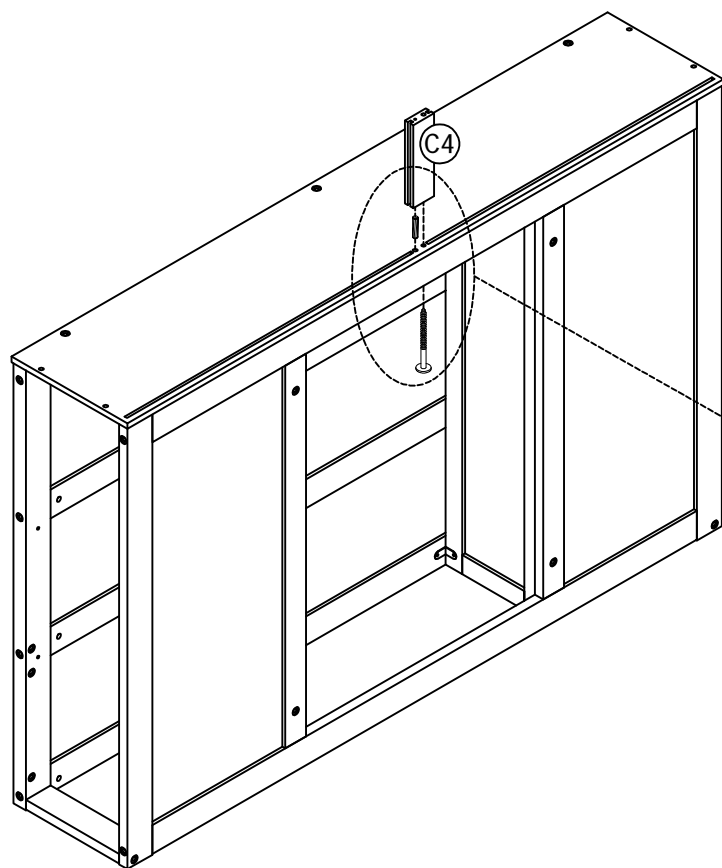
16



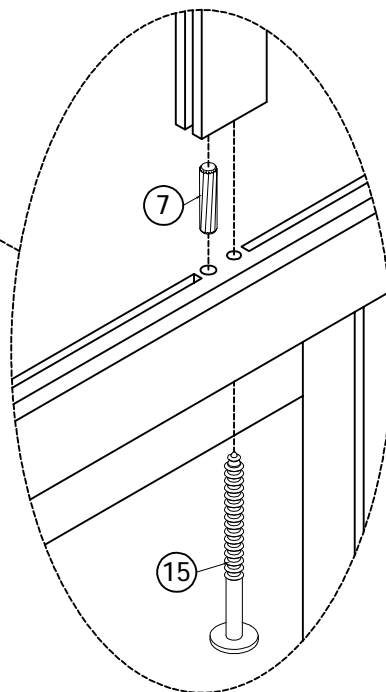
4(pcs)



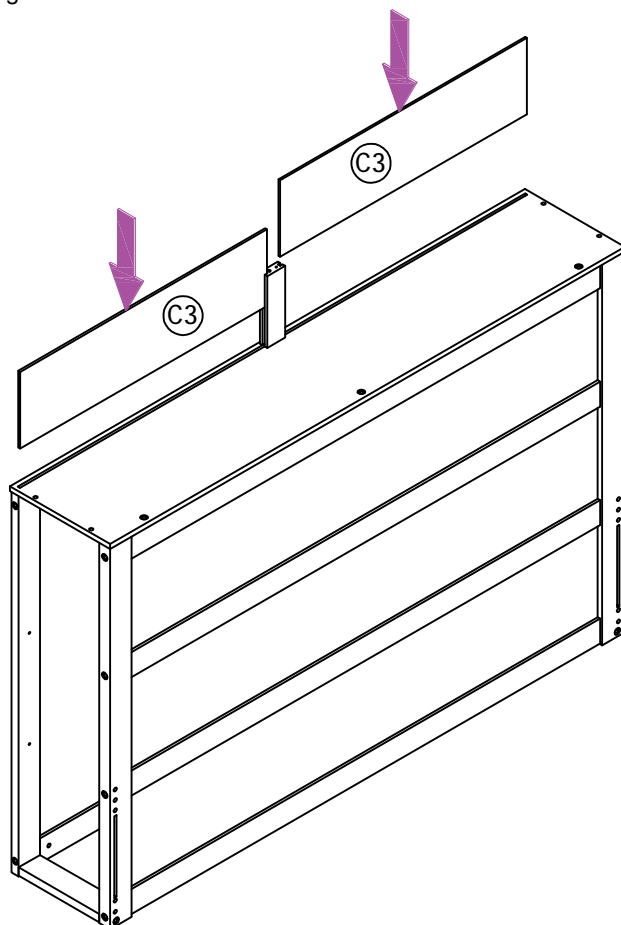
STEP9: Following below illustration.



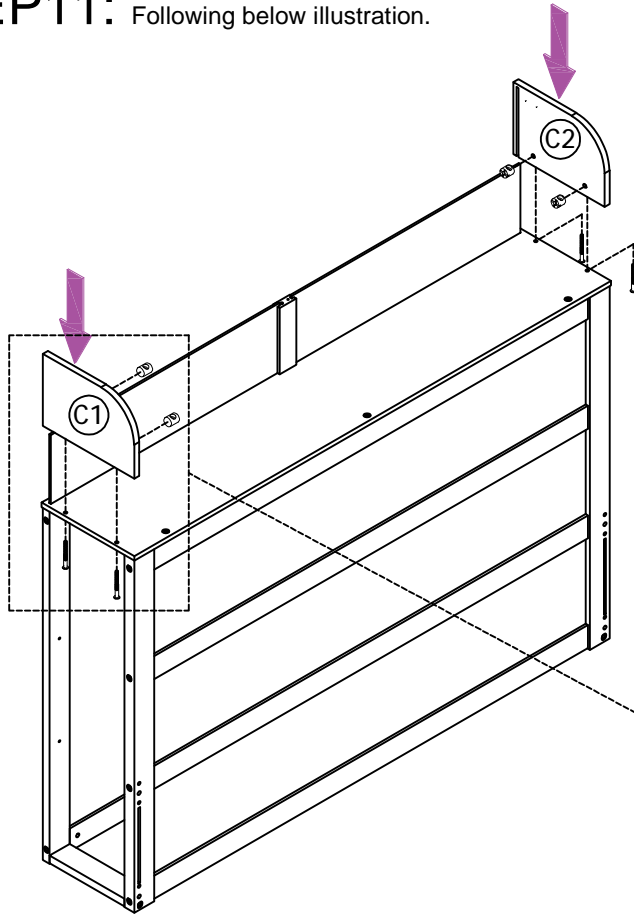
7	15
1(pc)	1(pc)





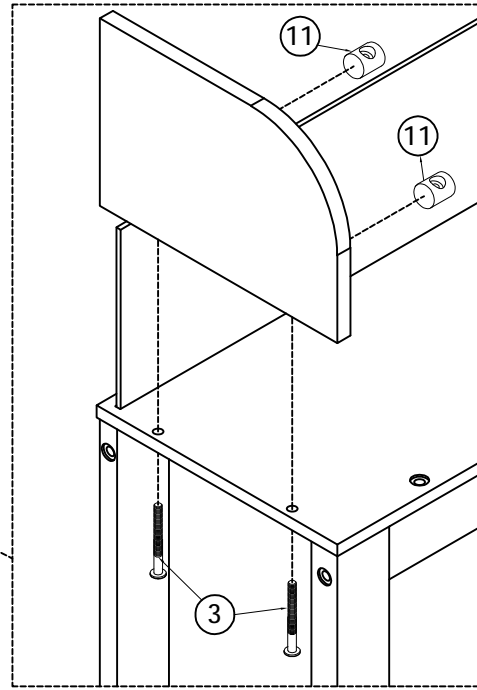
STEP10: Following below illustration.



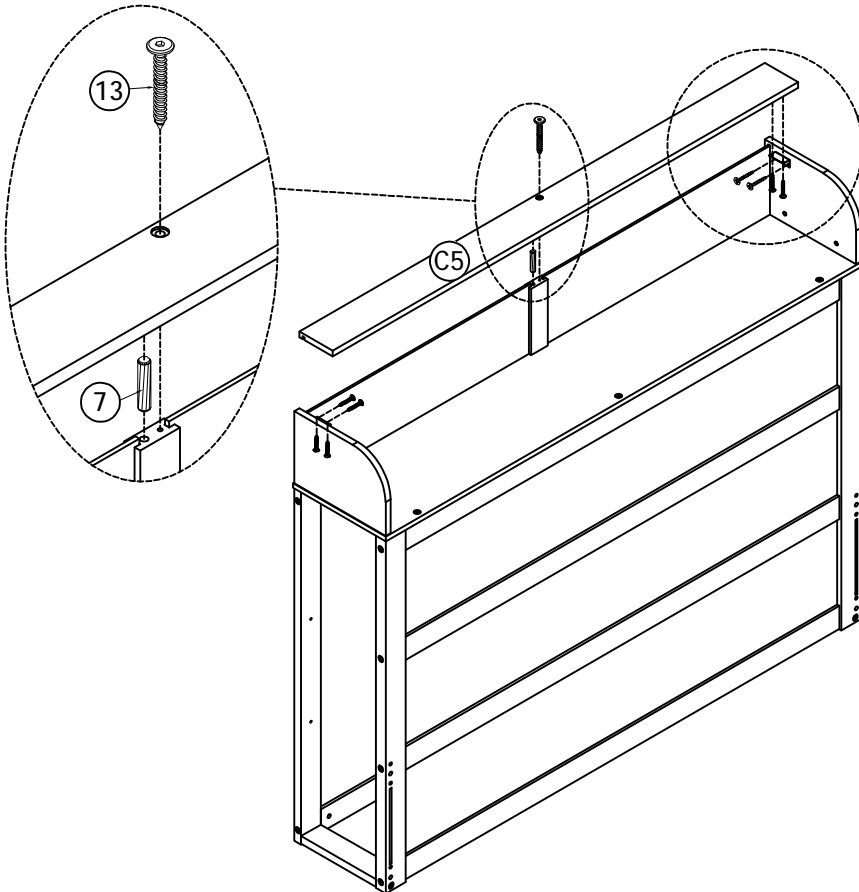
STEP 11: Following below illustration.

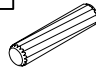
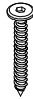
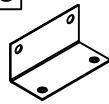



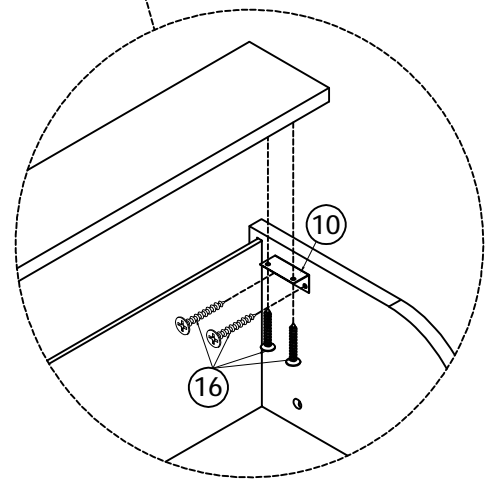
3	11
	
4(pcs)	4(pcs)



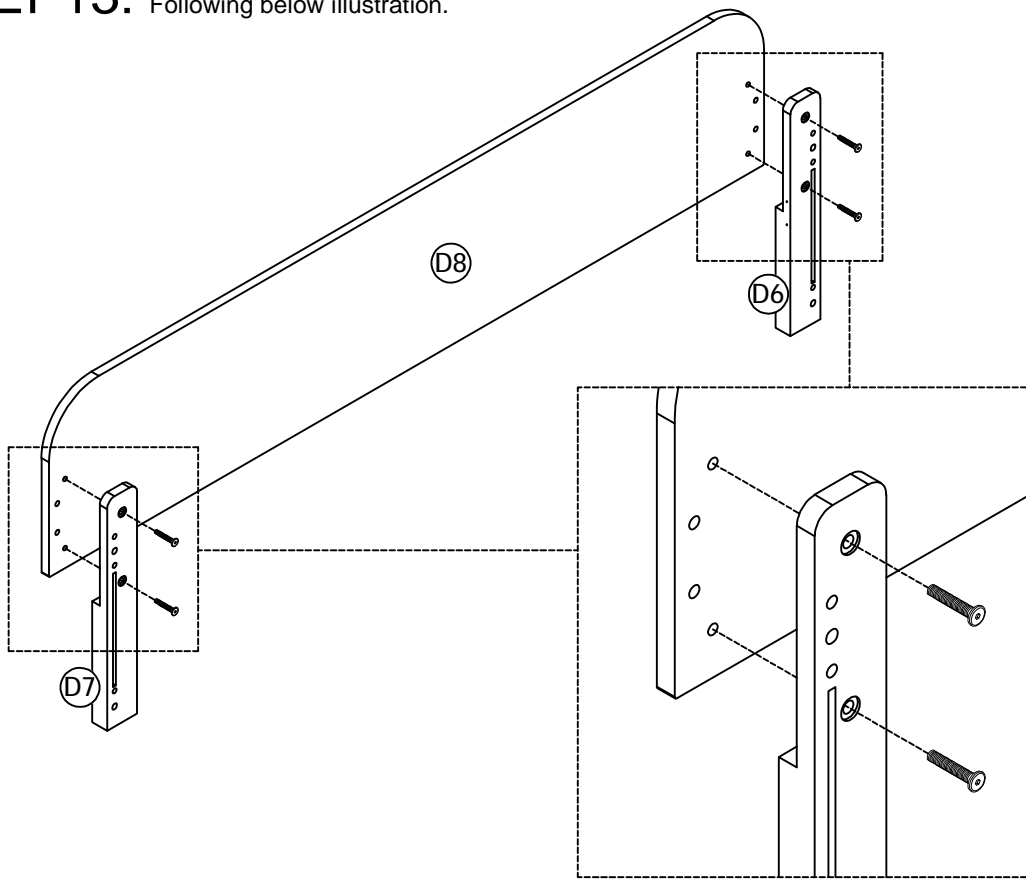
STEP 12: Following below illustration.



7	13
	
1(pc)	1(pc)
10	16
	
2(pcs)	8(pcs)



STEP13: Following below illustration.

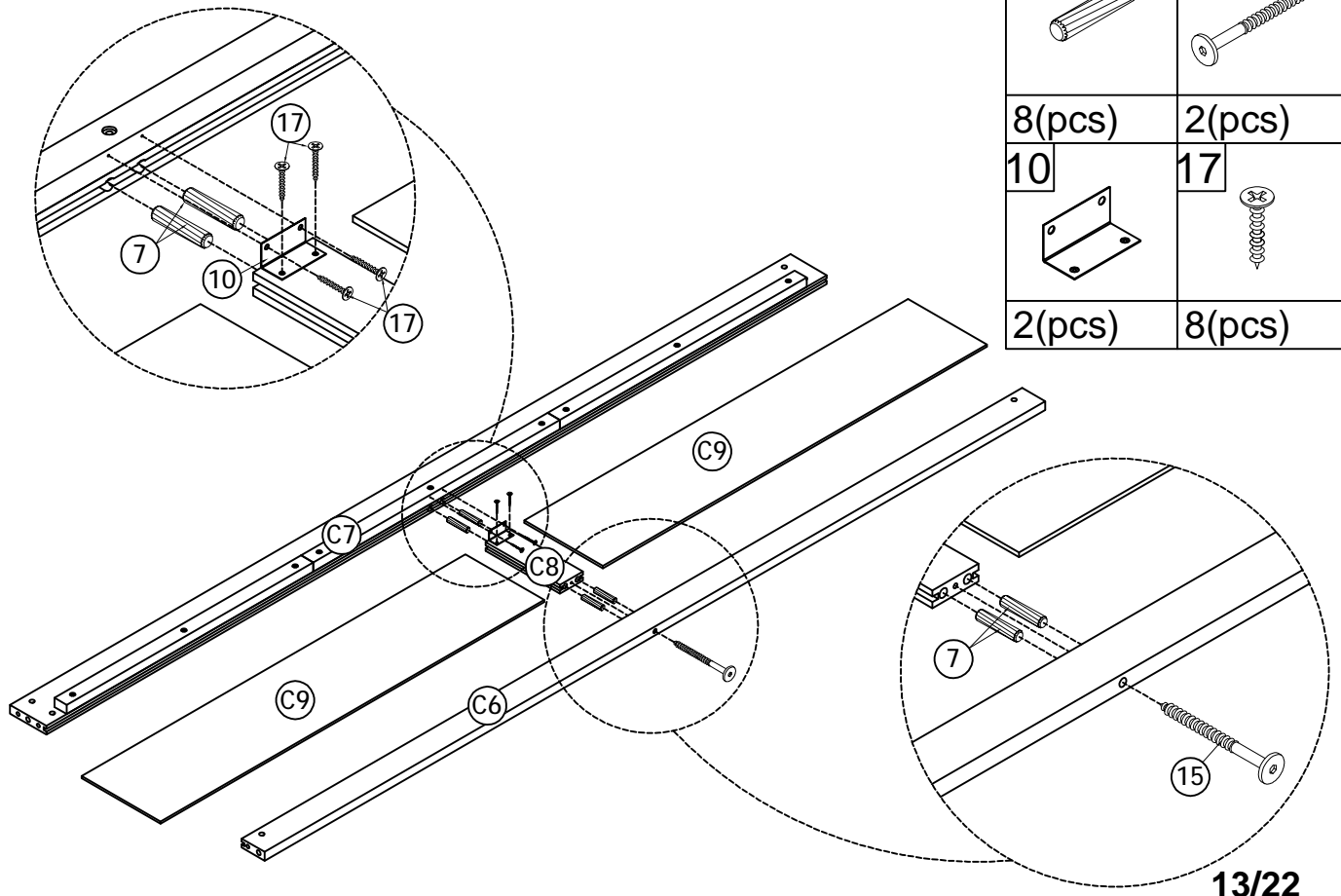


1



4(pcs)

STEP14 x 2: Following below illustration.

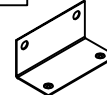


7



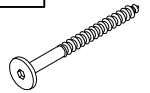
8(pcs)

10



2(pcs)

15



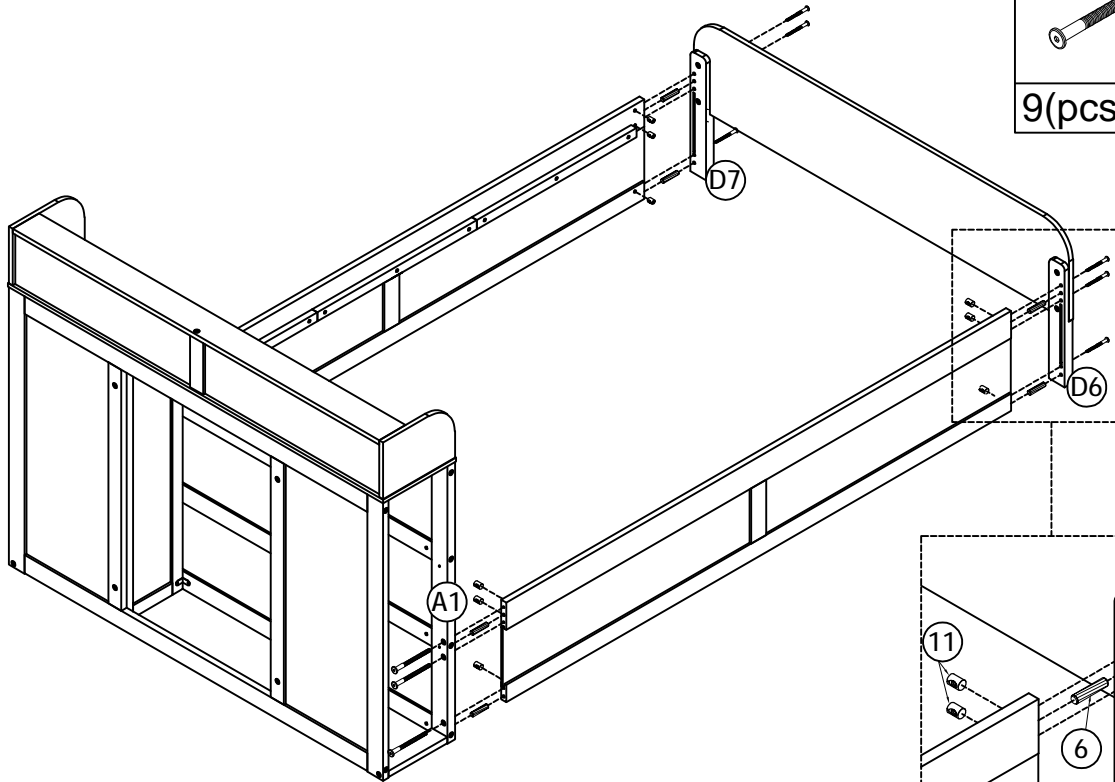
2(pcs)



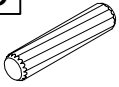
17

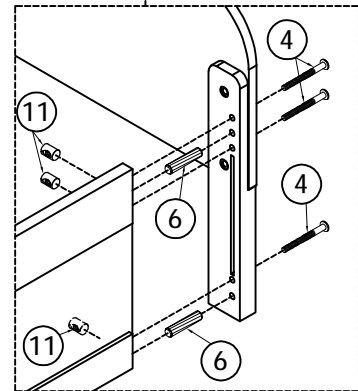


8(pcs)

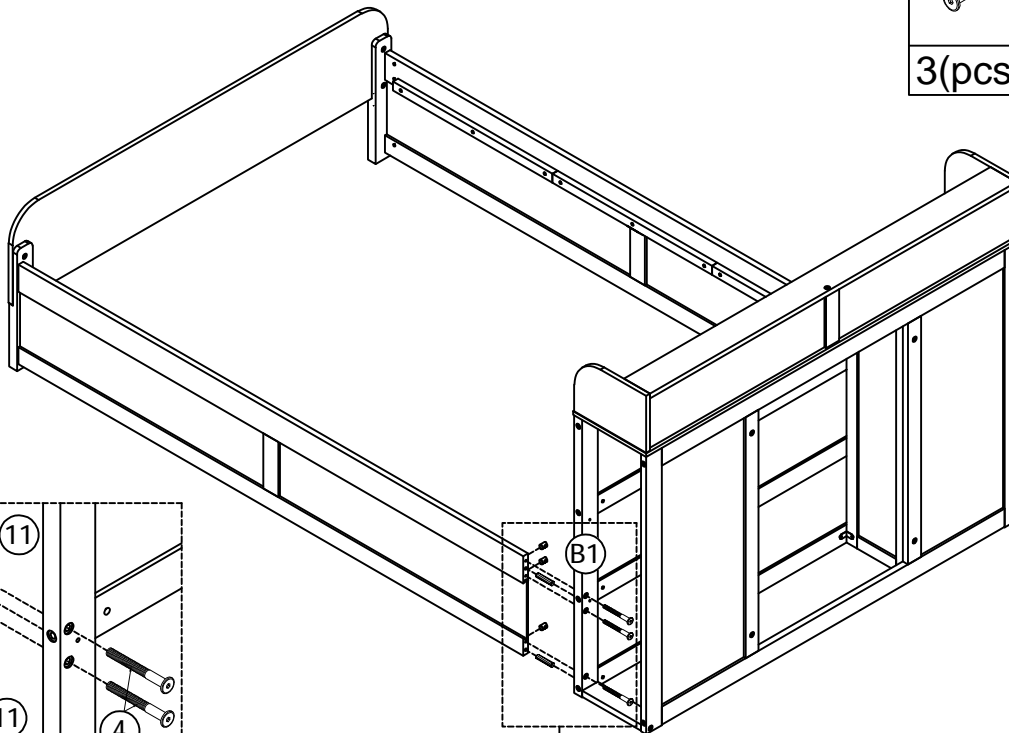
STEP15: Following below illustration.



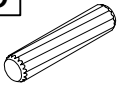


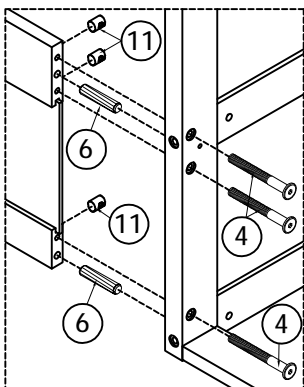
4	11
	
9(pcs)	9(pcs)
	6
	
	6(pcs)



STEP16: Following below illustration.



4	11
	
3(pcs)	3(pcs)
	6
	
	2(pcs)

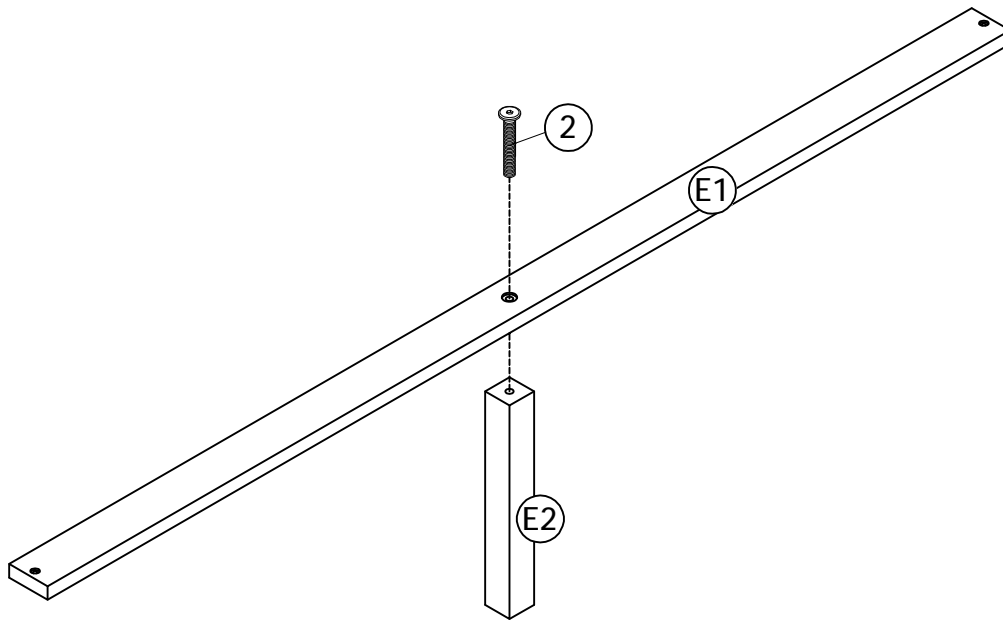


STEP17 x 2: Following below illustration.

2



2(pcs)

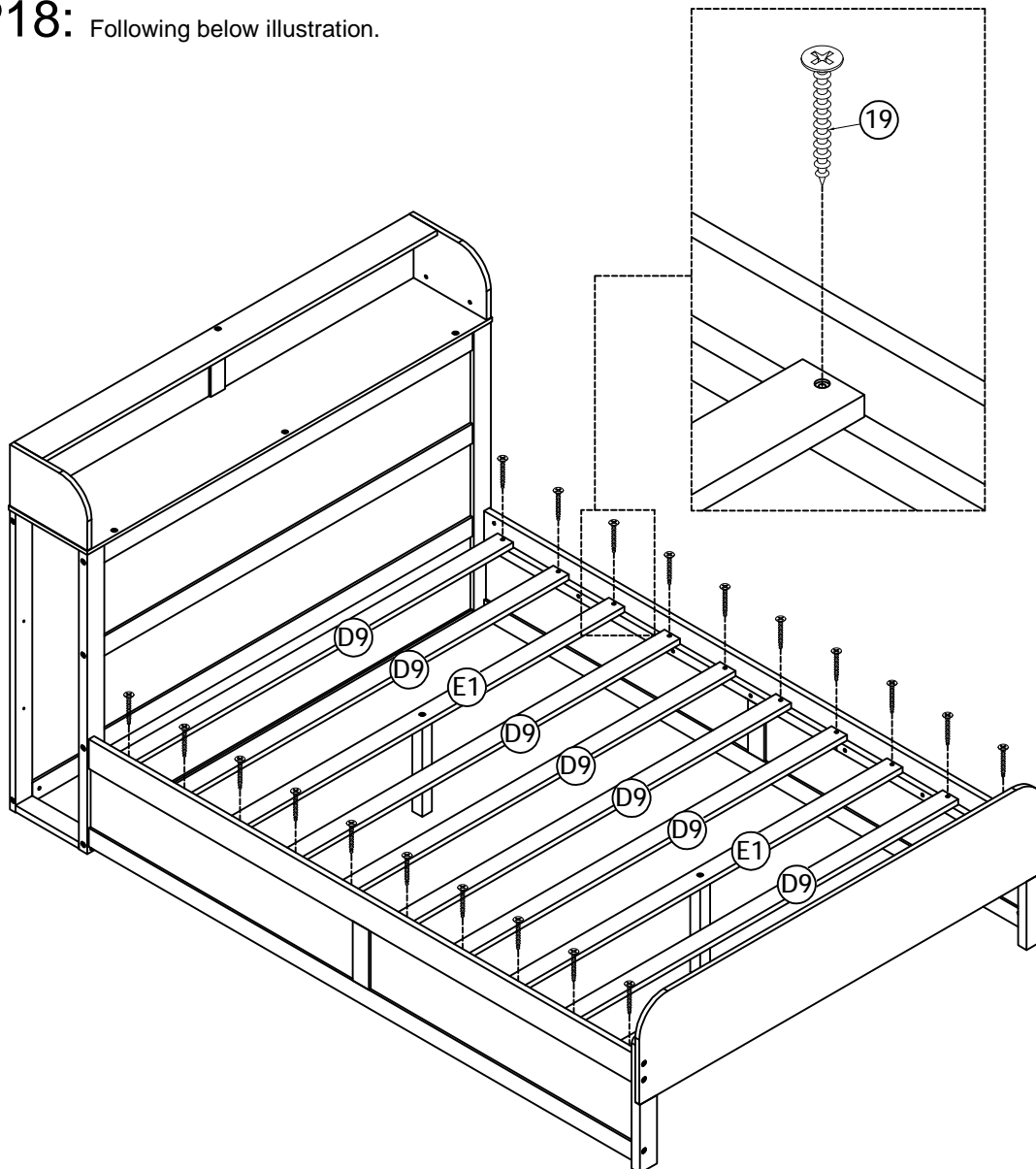


STEP18: Following below illustration.



19

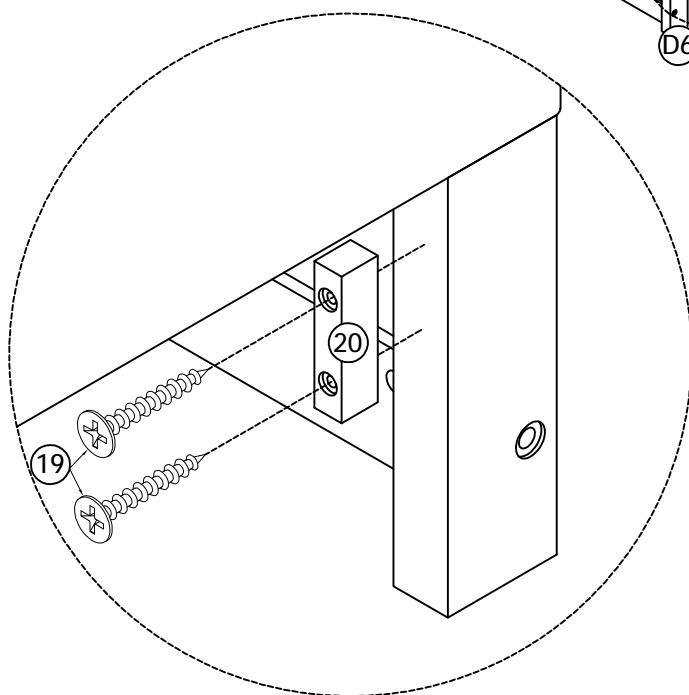
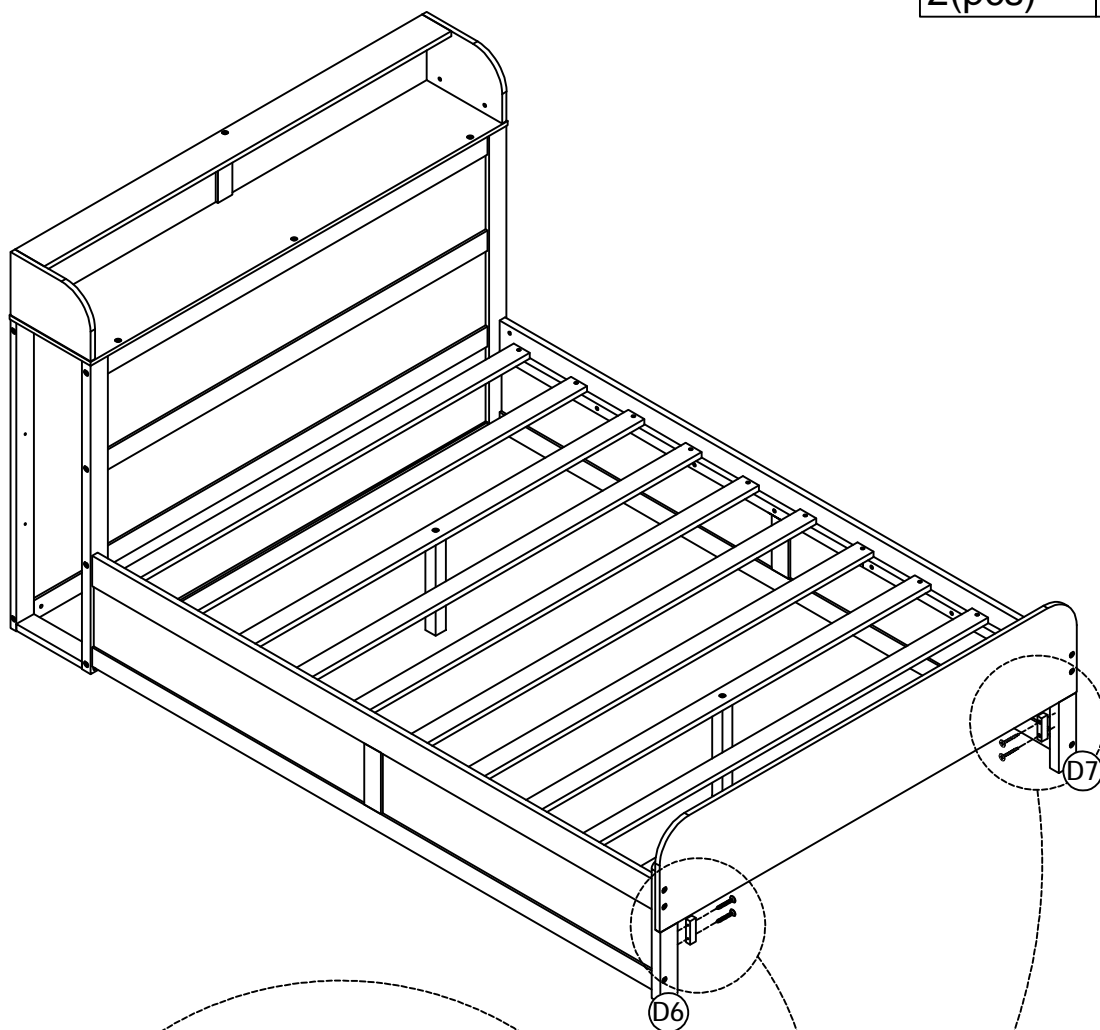


20(pcs)

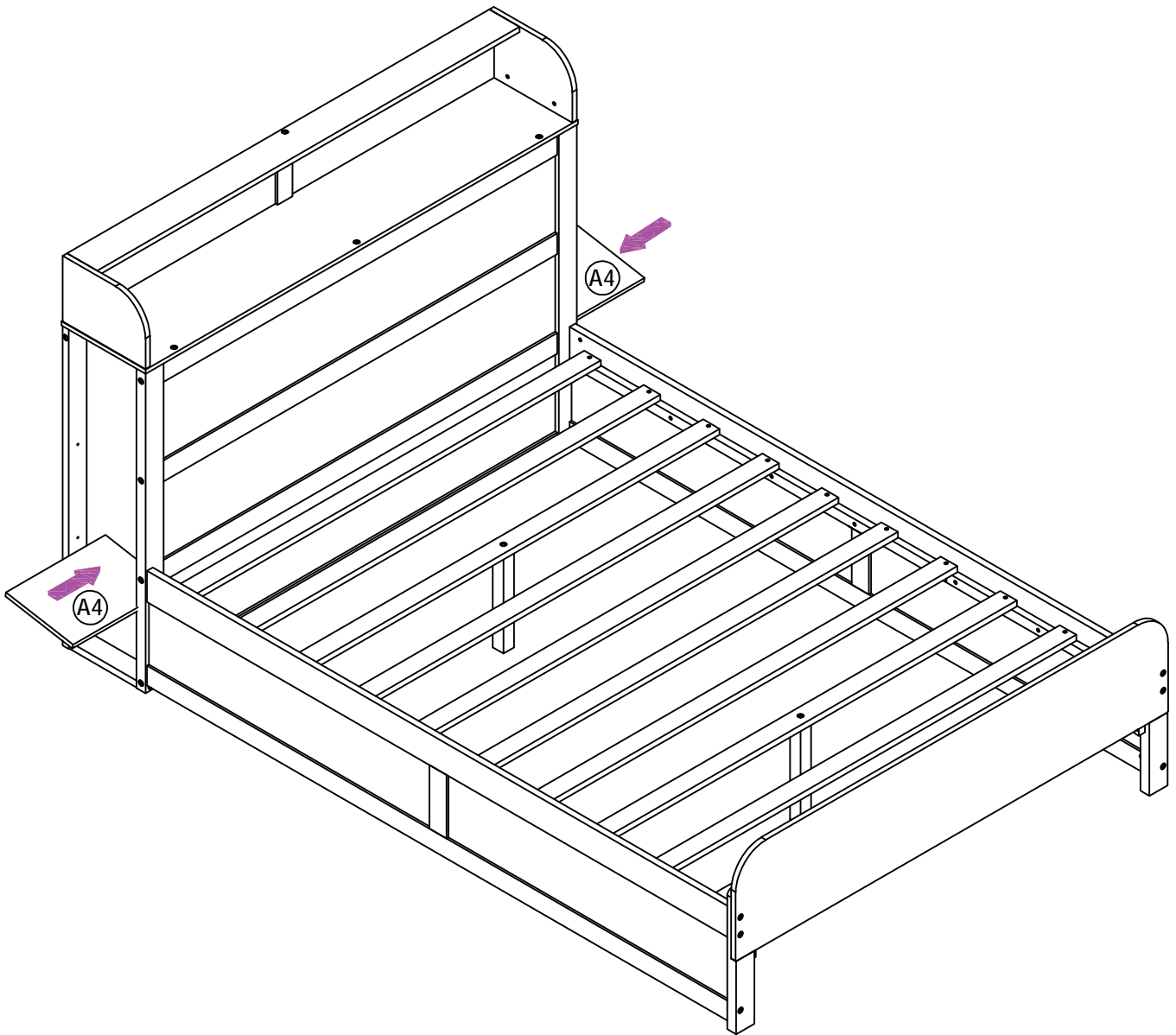


STEP 19: Following below illustration.

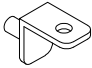
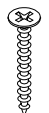
20 	19 
2(pcs)	4(pcs)

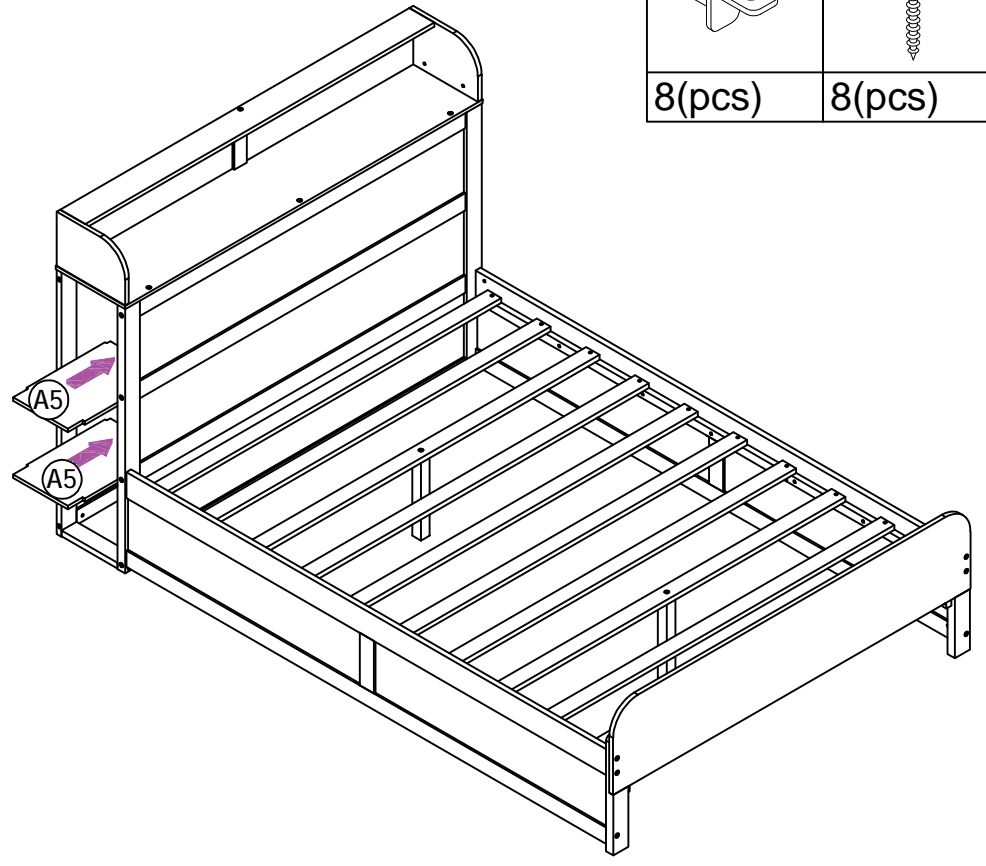
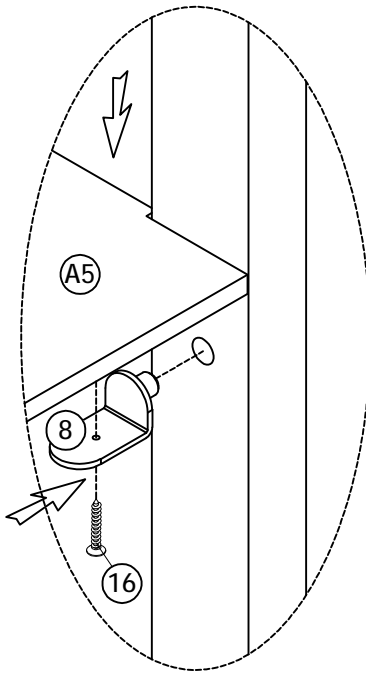


STEP20: Following below illustration.

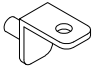
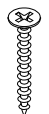


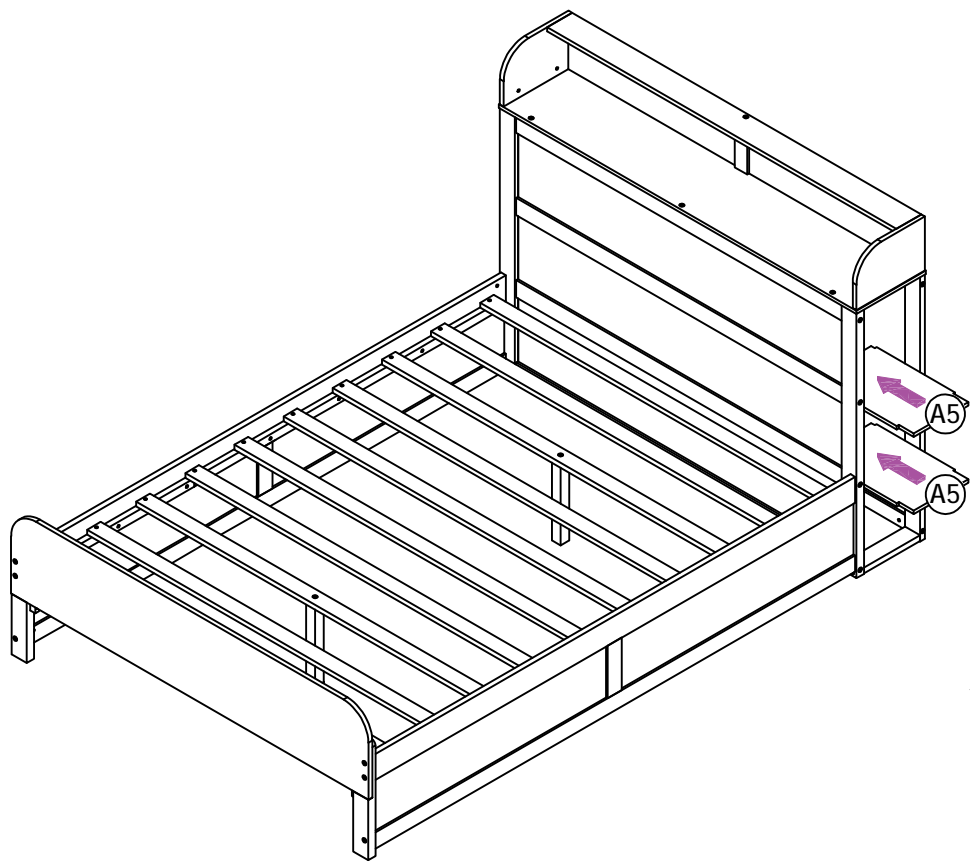
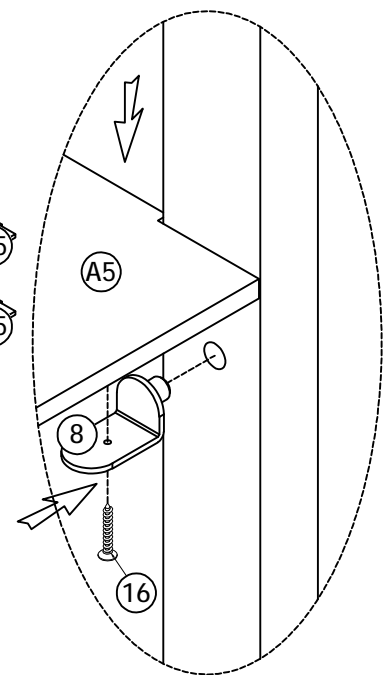
STEP21: Following below illustration.

8	16
	
8(pcs)	8(pcs)



STEP22: Following below illustration.

8	16
	
8(pcs)	8(pcs)

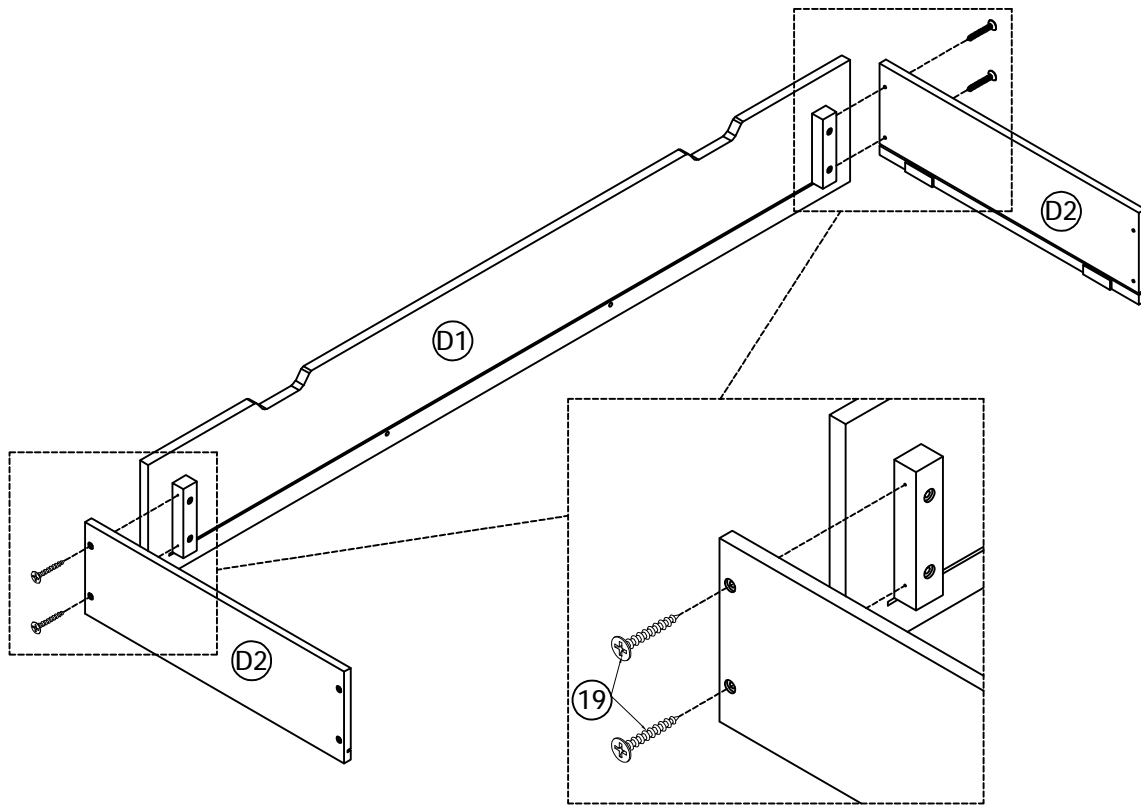


STEP23: Following below illustration.

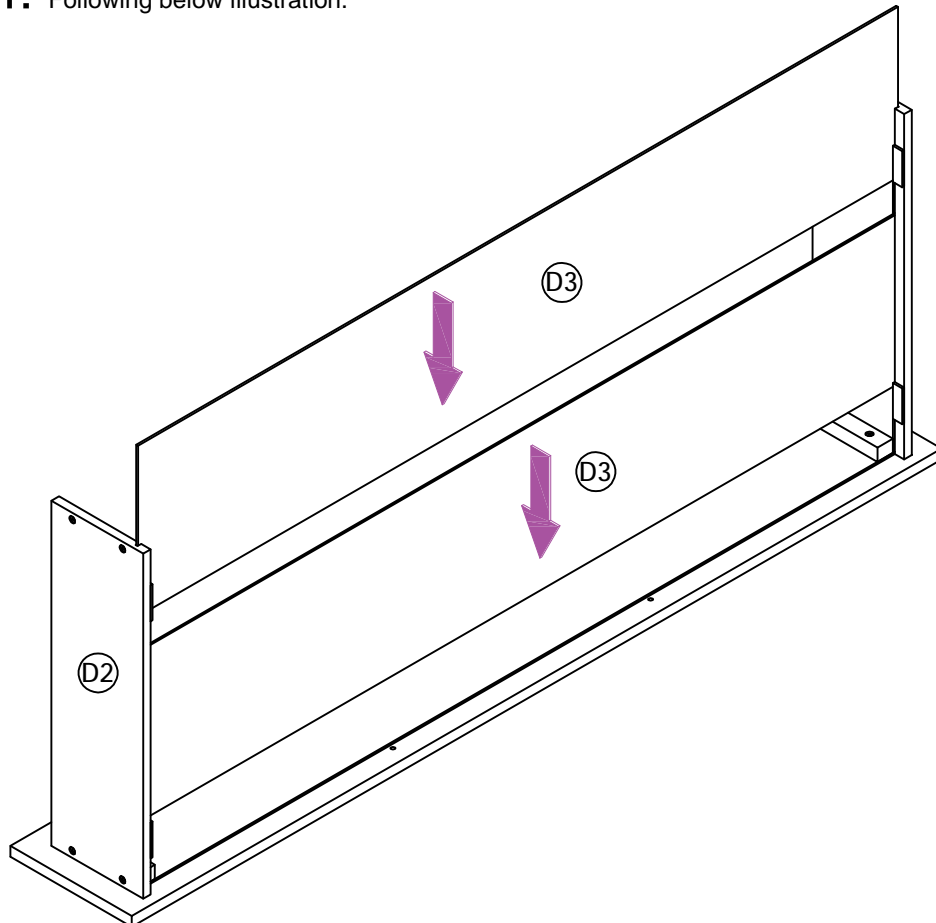
19



4(pcs)



STEP24: Following below illustration.

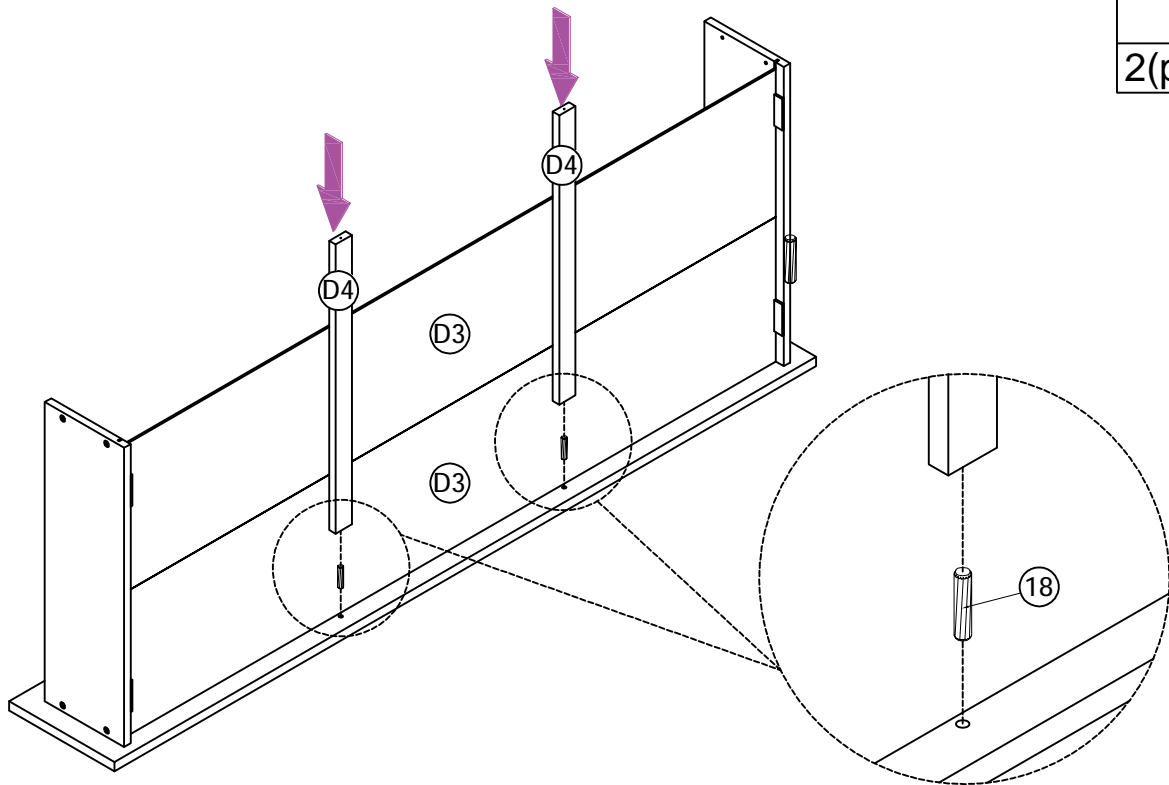


STEP25: Following below illustration.

18



2(pcs)



STEP26: Following below illustration.

21

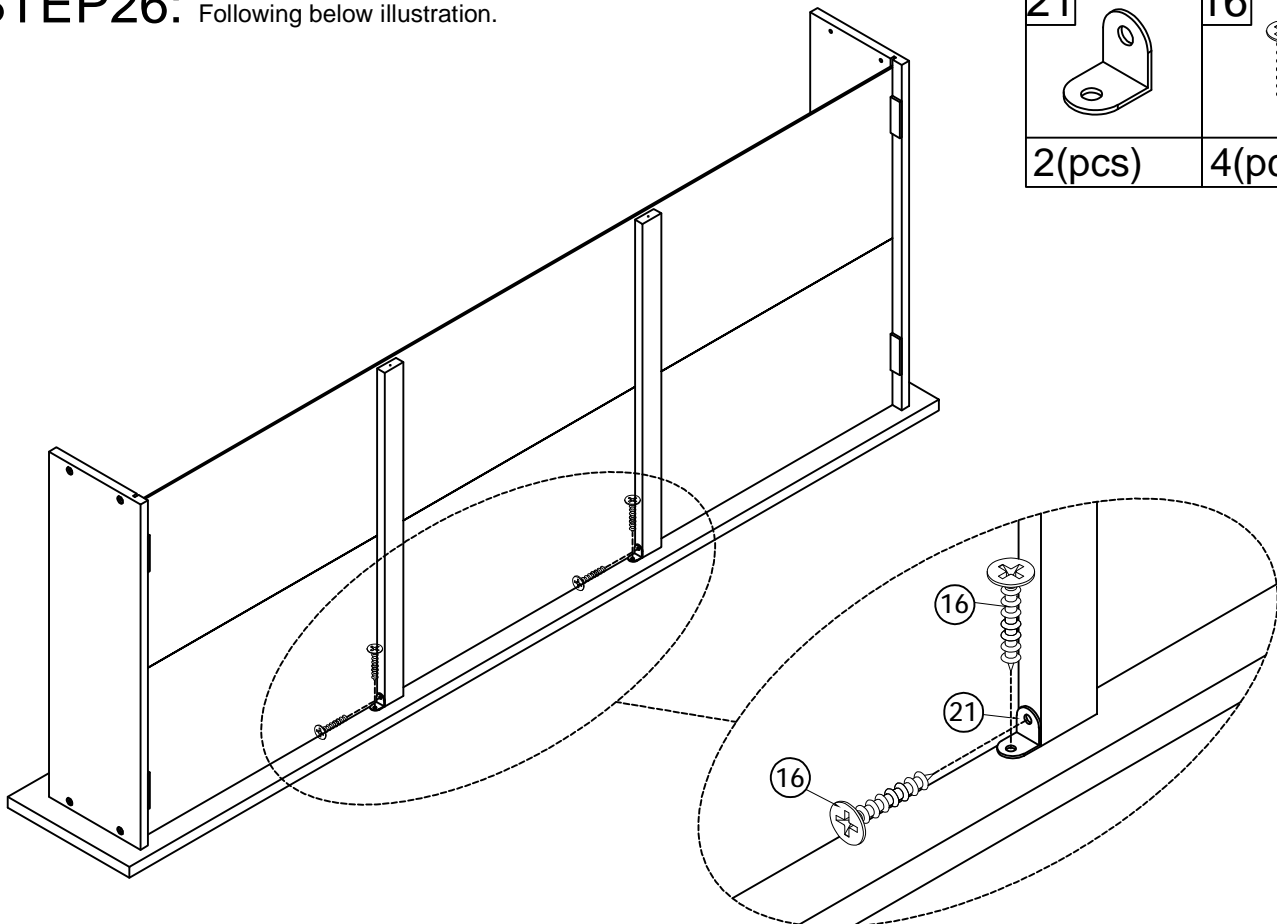


2(pcs)

16



4(pcs)

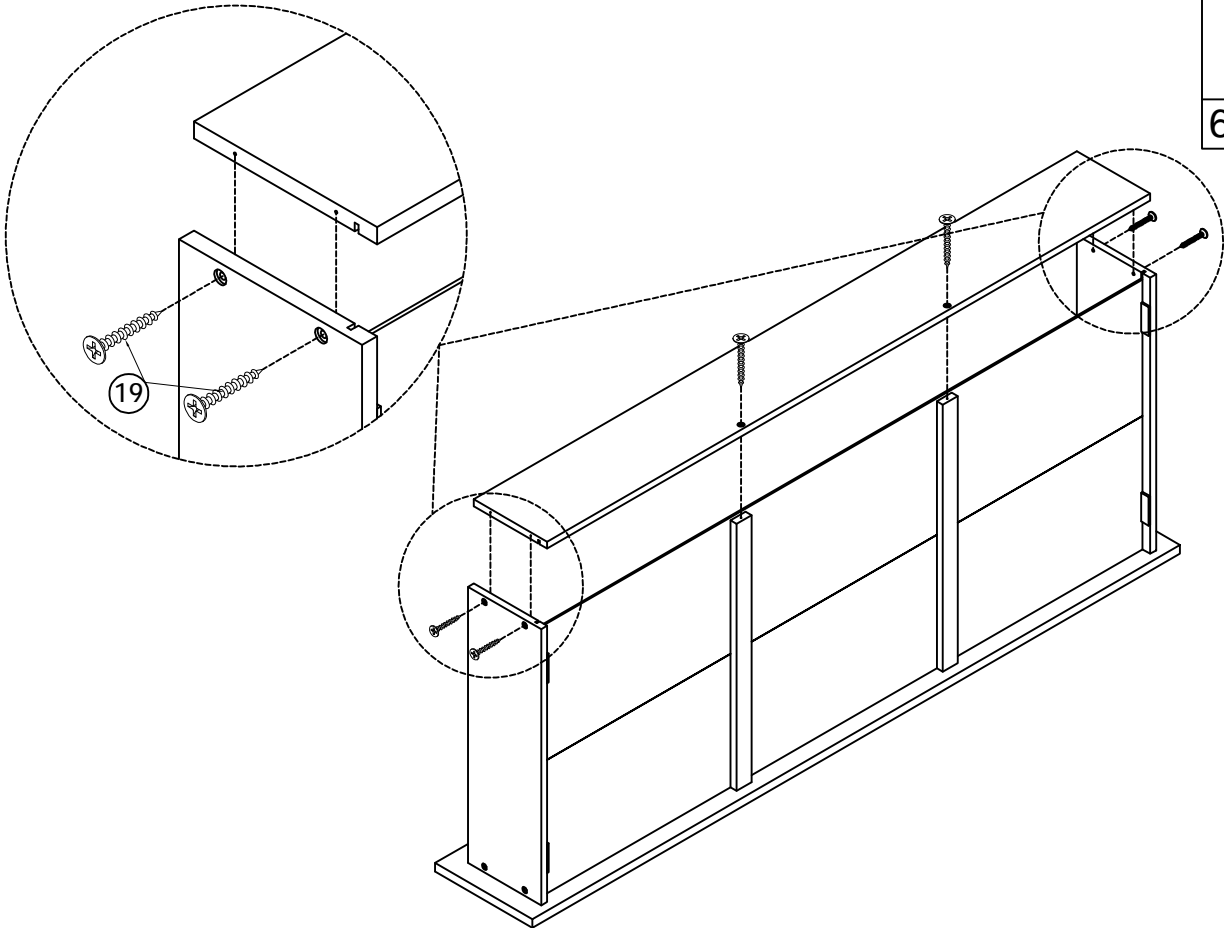


STEP27: Following below illustration.

19

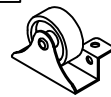


6(pcs)



STEP28: Following below illustration.

22

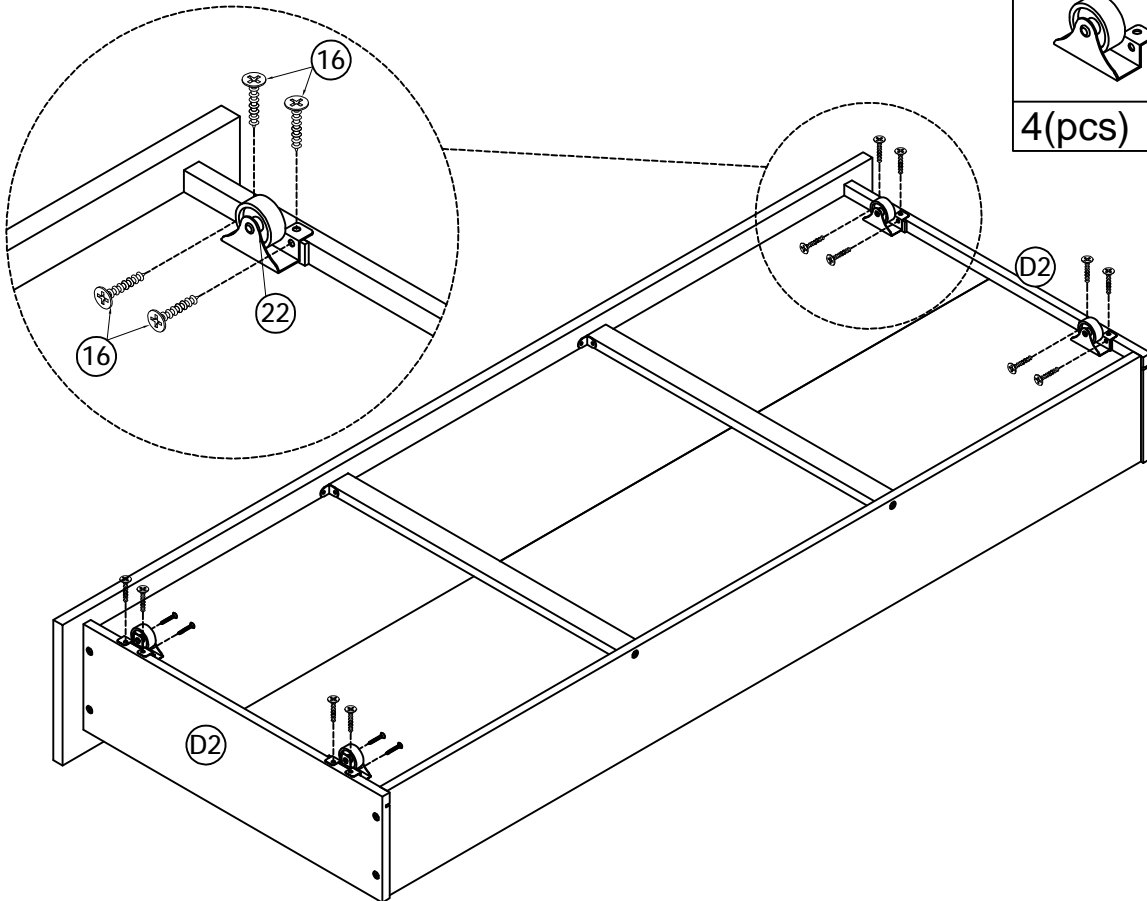


4(pcs)

16



16(pcs)



STEP29: Following below illustration.

