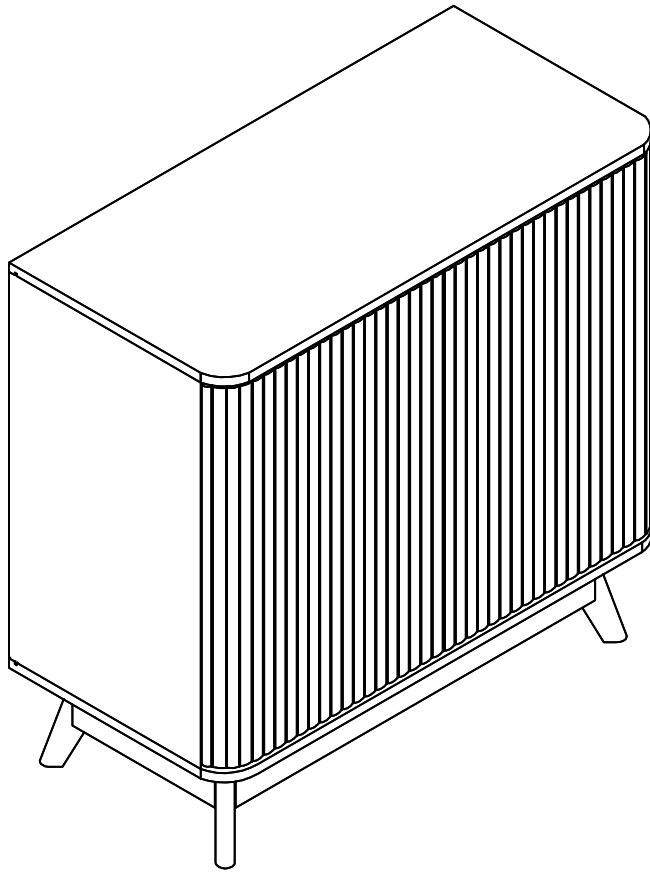


Installation Instruction



Assembling

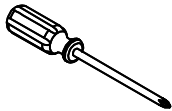
Estimated time for assembly



45 : 00

What you need

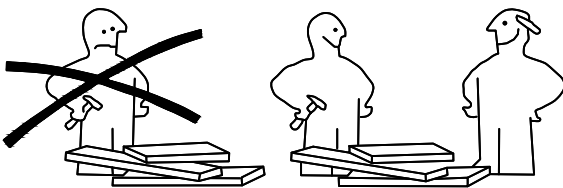
- Use the packaging carton as a working surface to prevent product damage during assembly
- Phillips head screwdriver



Weight Limitation



100 | **35**
lbs table top lbs per

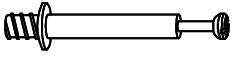


What' included

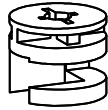
Code	Description	Qty
A	Cam Bolt M6X35MM	18
B	Cam Lock 15X12MM	18
C	Wooden Dowel M8X30MM	12
D	Screw M4X40MM	6
E	Screw M7X40MM	4
F	Door Rebound Device	2
G	Door Rebound Device Holder	2
H	Screw M3.0X14MM	40
I	Plastic block	1
J	The back button	12
K	Hinge	4
L	Shelf Holder	4
M	Anchor	2
N	Hole position sticker	18
O	Foot nail	4
P	Screw M3.5X14MM	2
Q	Nylon Strap	2
R	The screw M4X55MM	1

The Hardwares

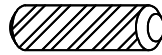
(A)



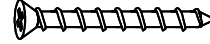
(B)



(C)



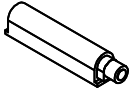
(D)



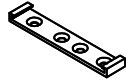
(E)



(F)



(G)



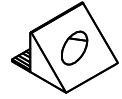
(H)



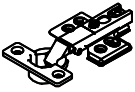
(I)



(J)



(K)



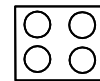
(L)



(M)



(N)



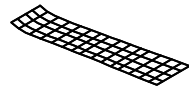
(O)



(P)



(Q)



(R)



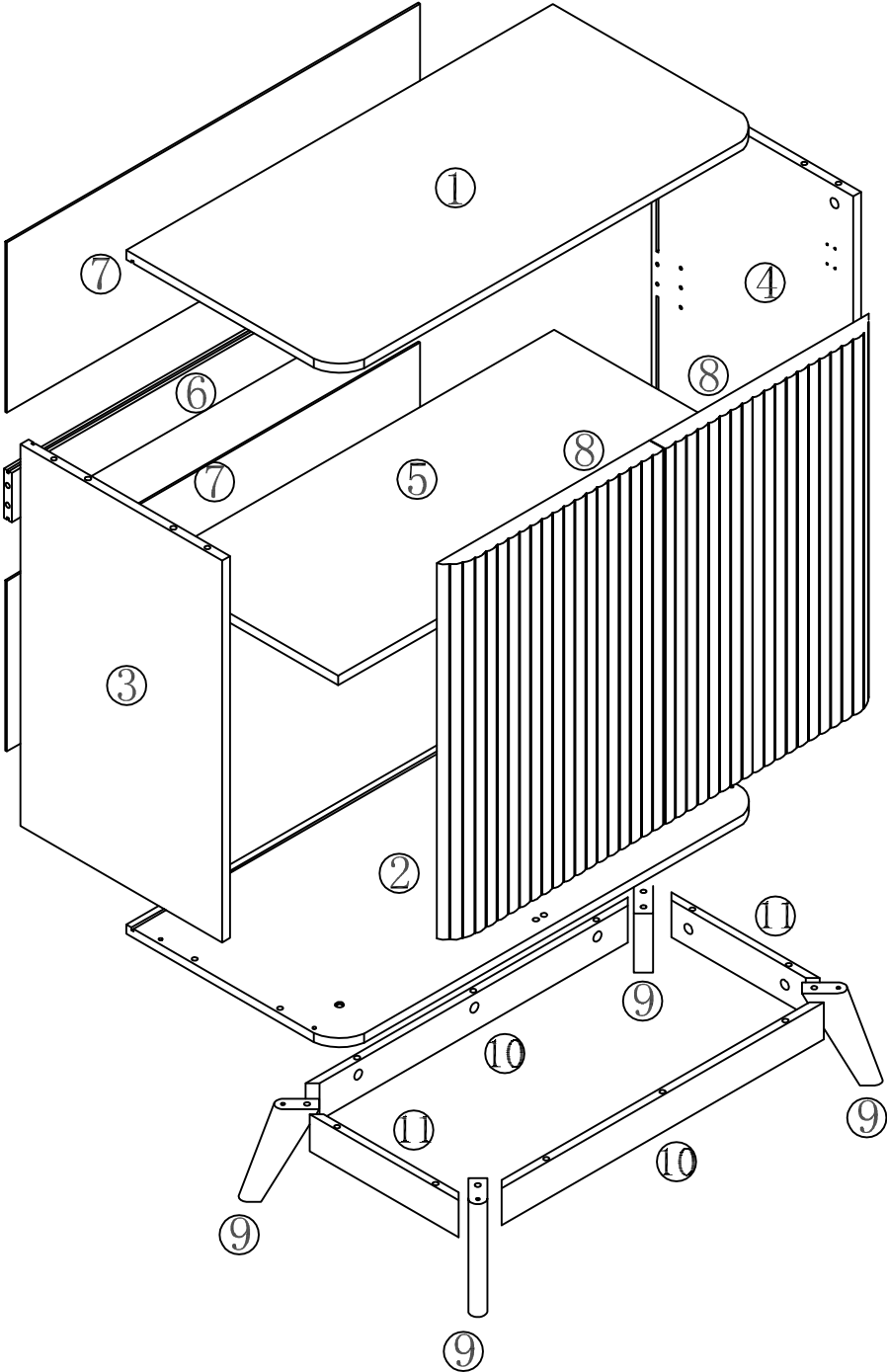
IMPORTANT:

1. Do not tighten bolts / screws completely until all bolts / screws are lined up and inserted into holes.
2. Do not over tighten screws and bolts to avoid stripping
3. Please use hand tools to assemble this product. Do not use power tools.

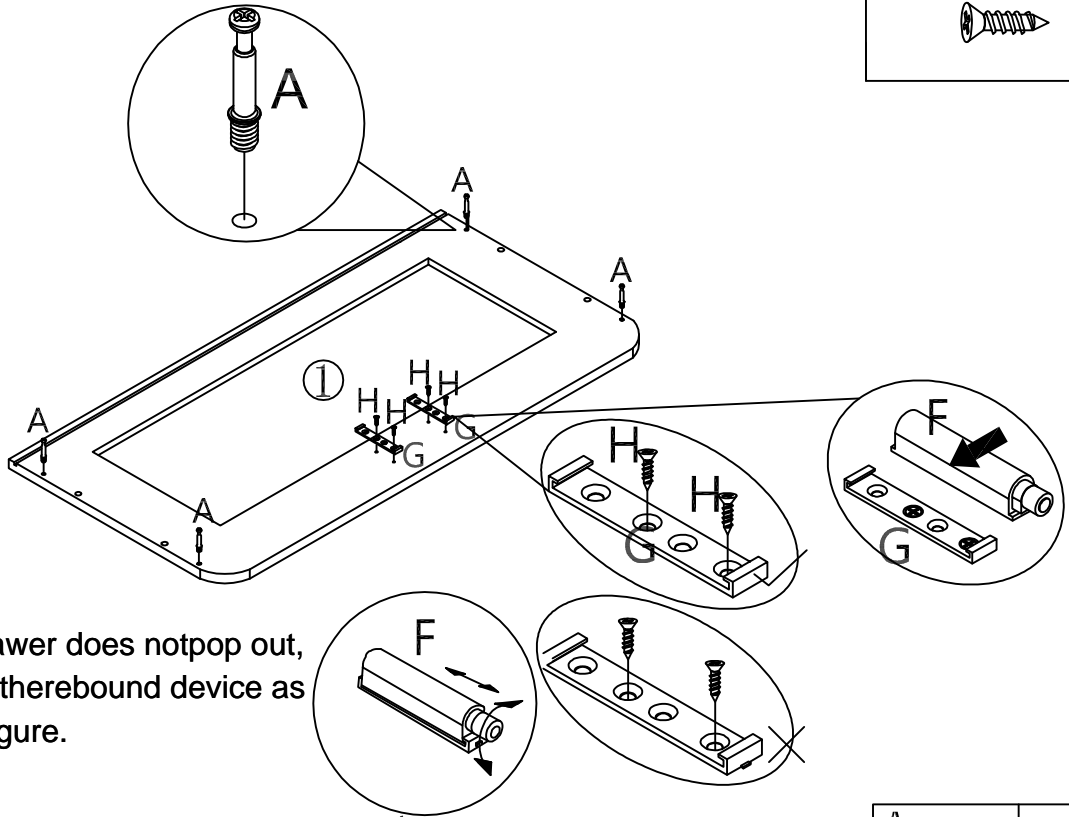
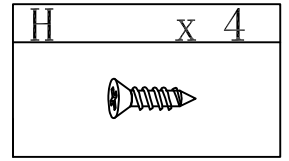
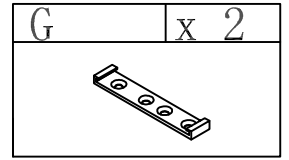
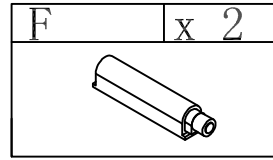
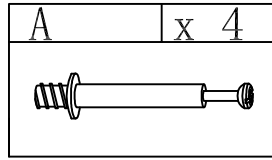
Included Accessories

Code	Description	Qty
1	Cabinet Top	1
2	Bottom Panel	1
3	Left Side Panel	1
4	Right Side Panel	1
5	Movable laminated plate	1
6	Back tie	1
7	Backboard	2
8	Metal Door	2
9	Supporting foot	4
10	Long drawing plate	2
11	Short drawing plate	2

The Accessoriss

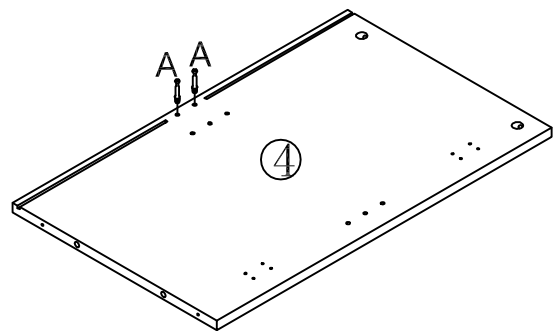
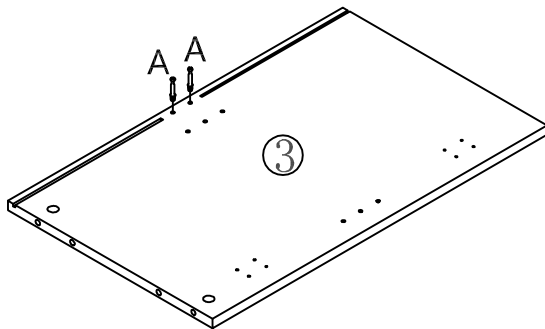
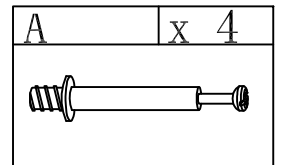


Step 1

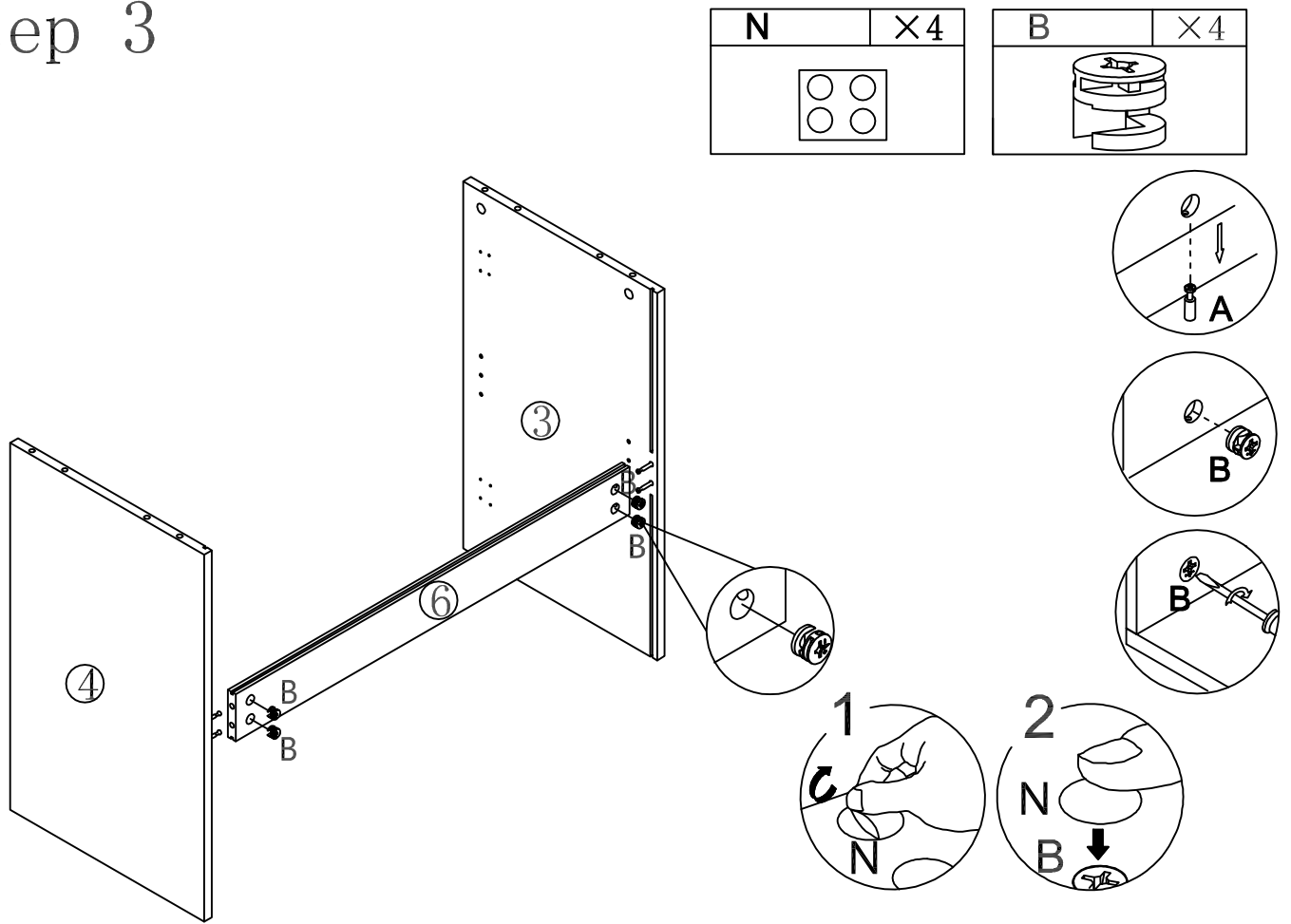


Note If the drawer does not pop out, please adjust the rebound device as shown in the figure.

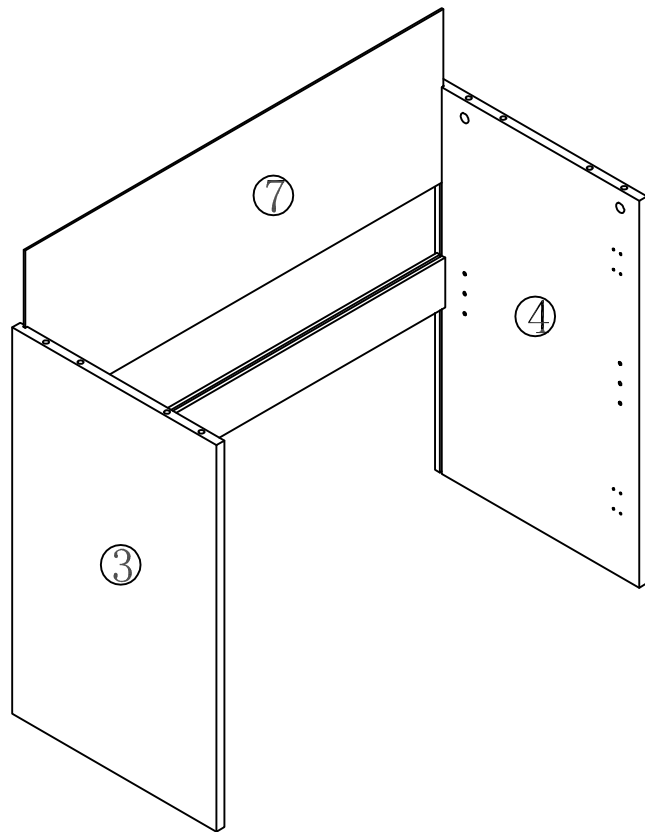
Step 2



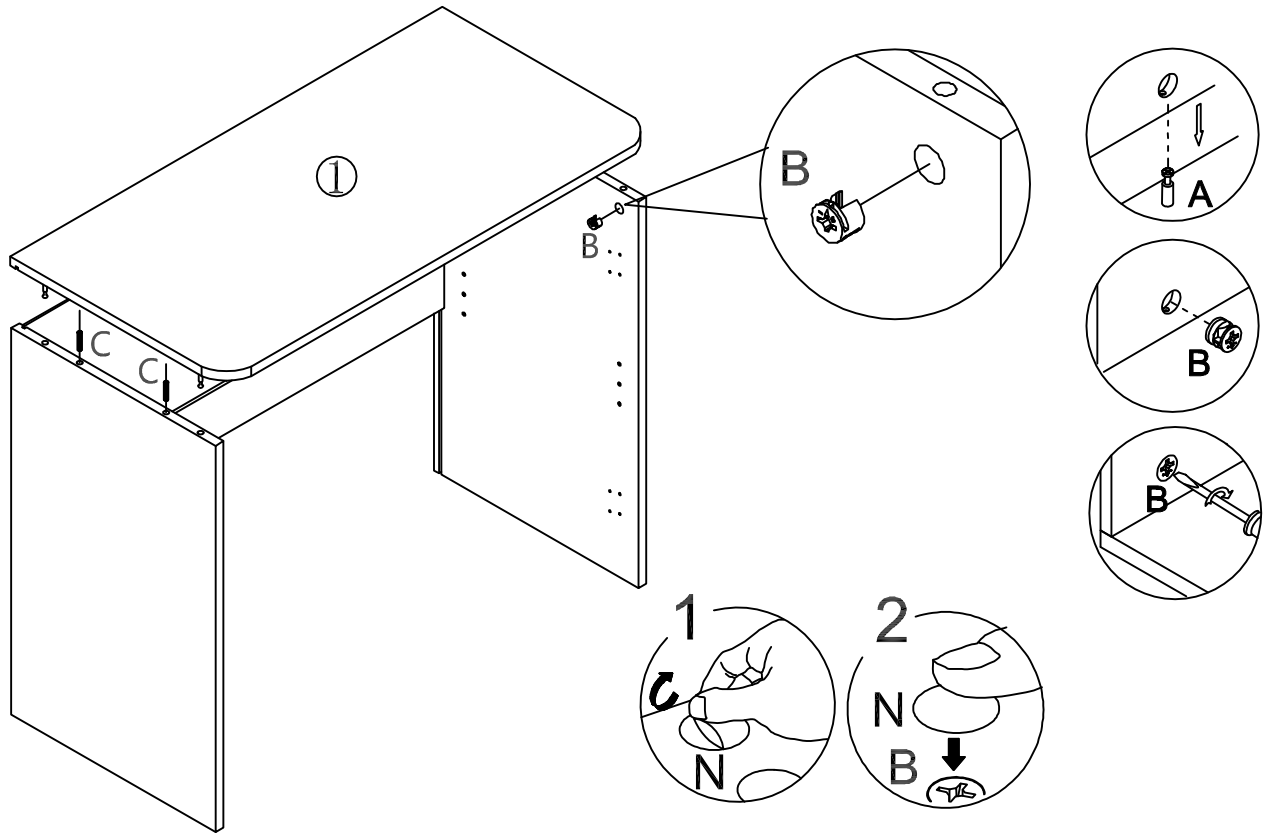
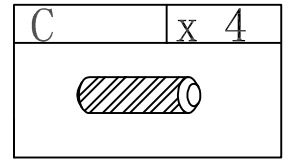
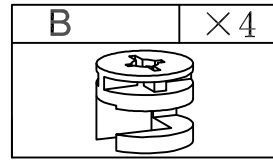
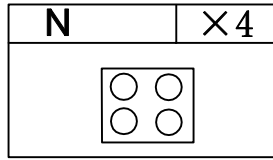
Step 3



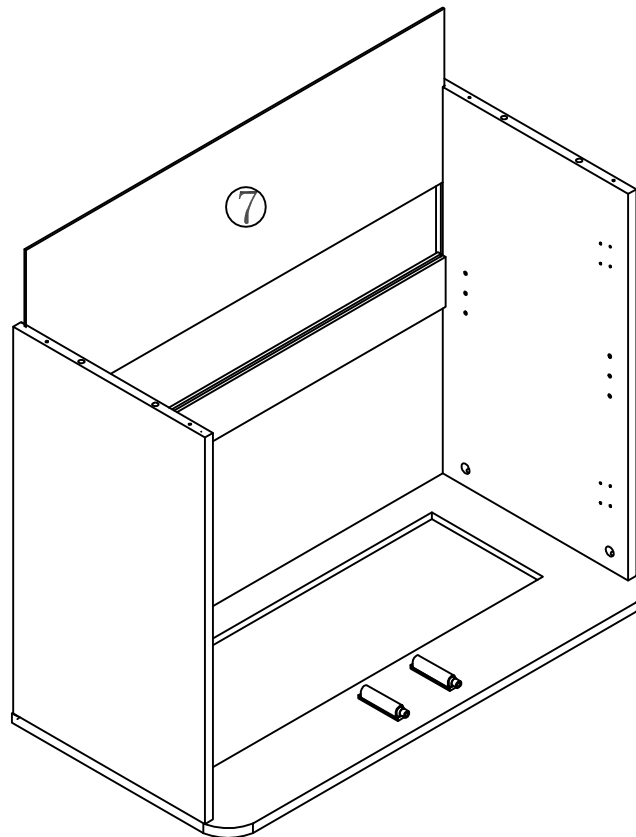
Step 4



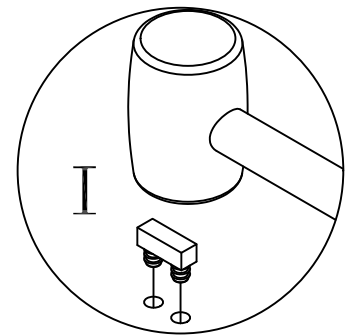
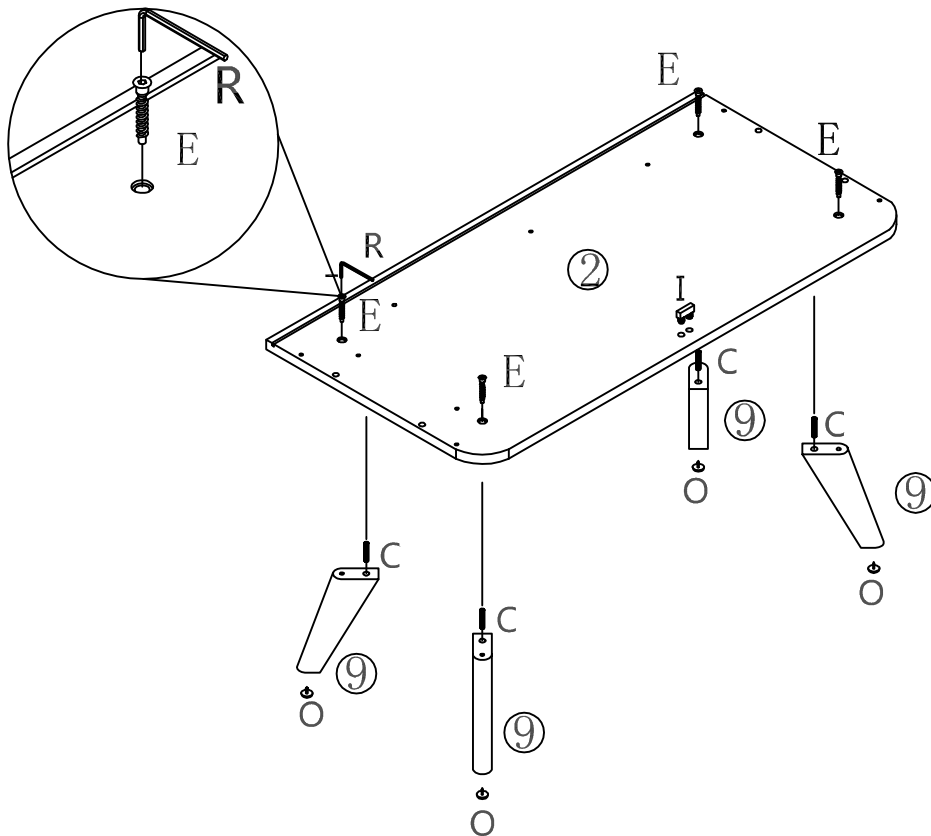
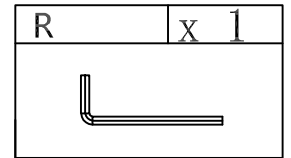
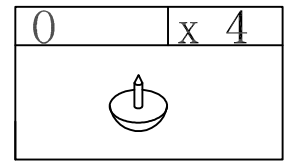
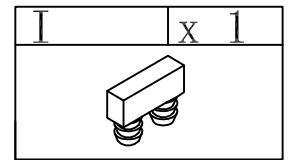
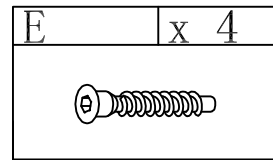
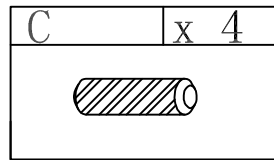
Step 5



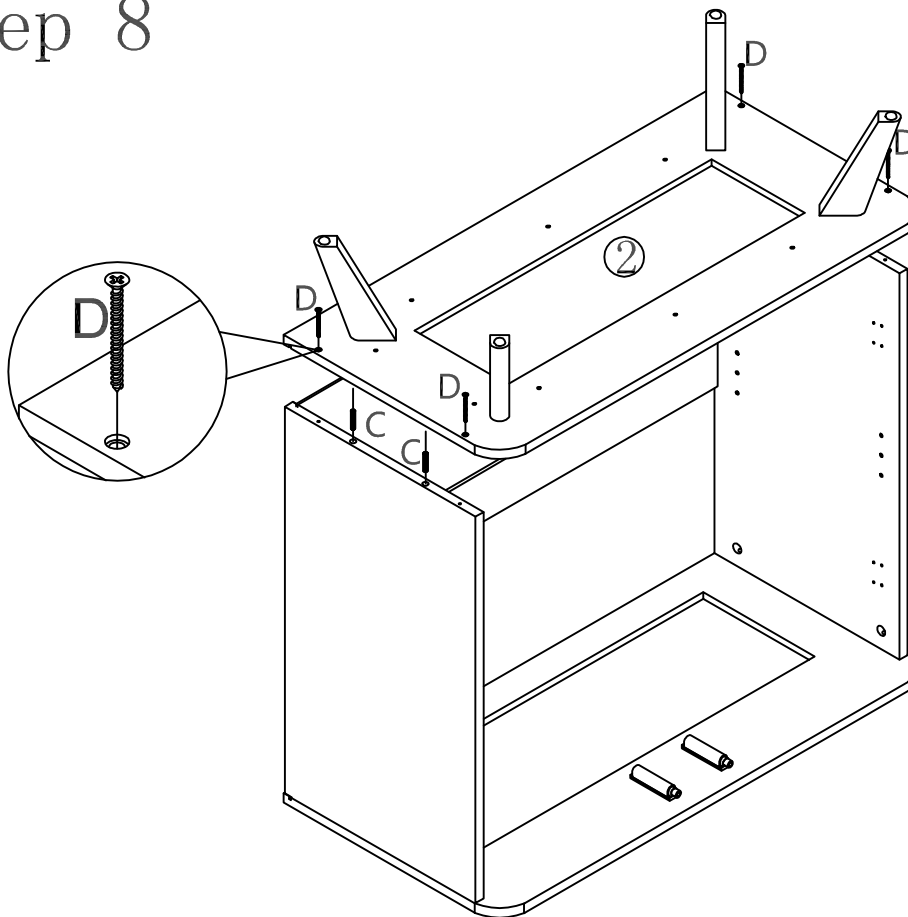
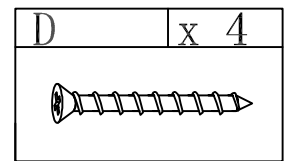
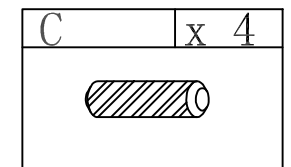
Step 6



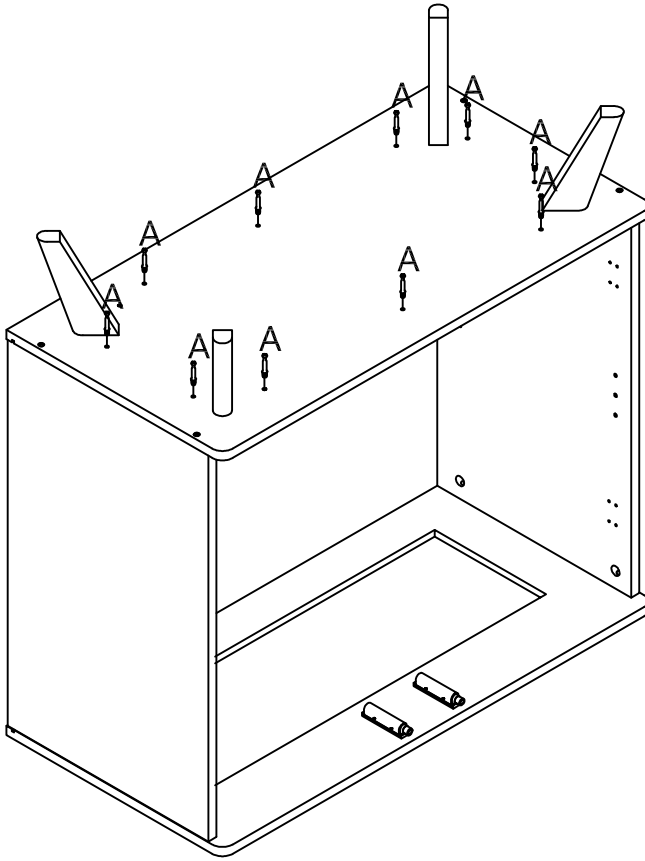
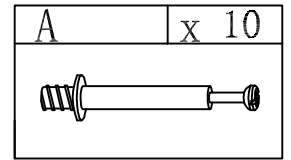
Step 7



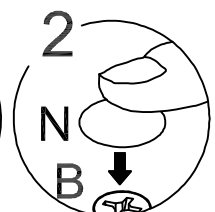
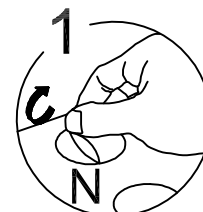
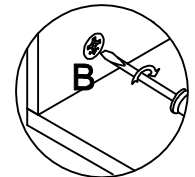
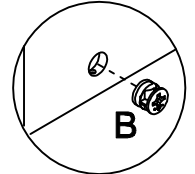
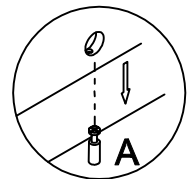
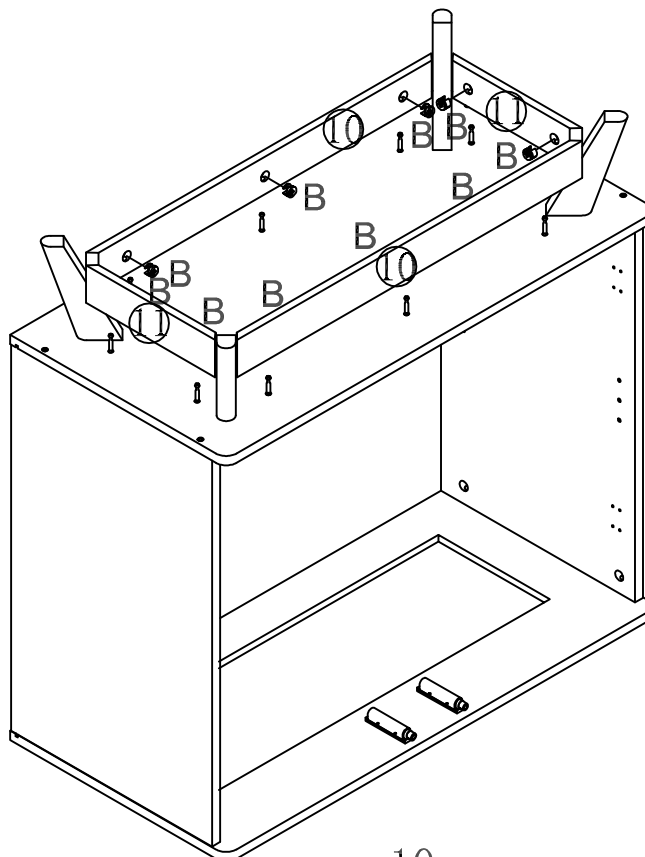
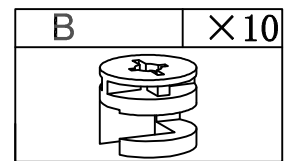
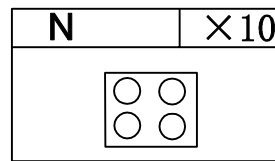
Step 8



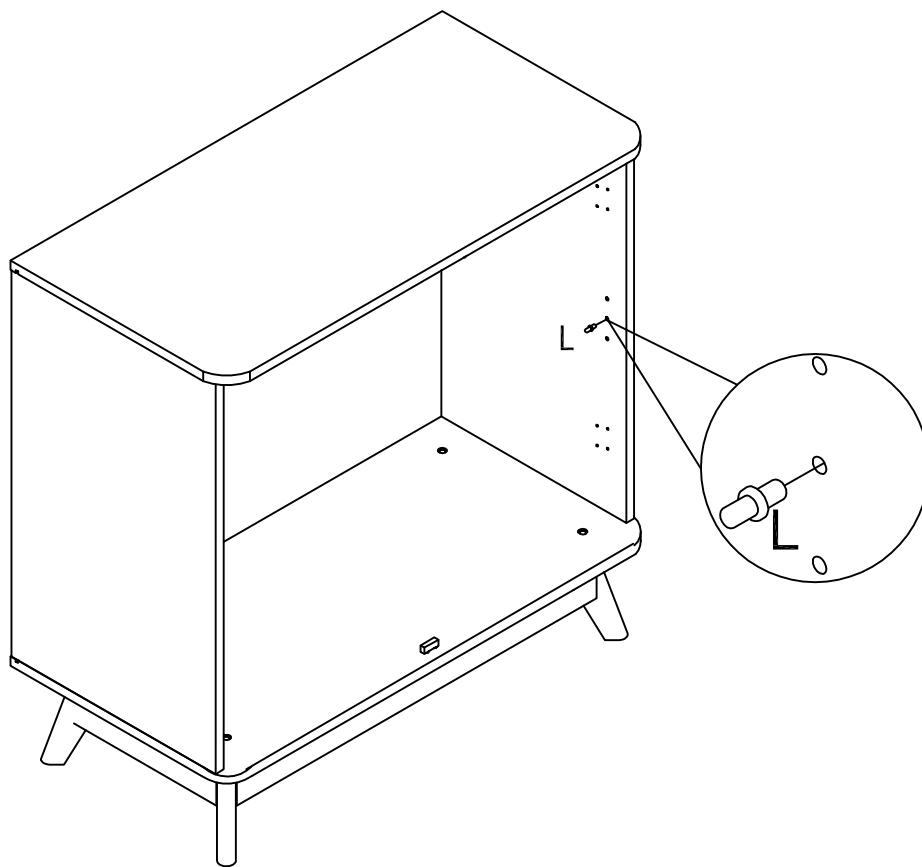
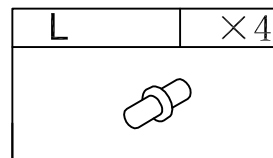
Step 9



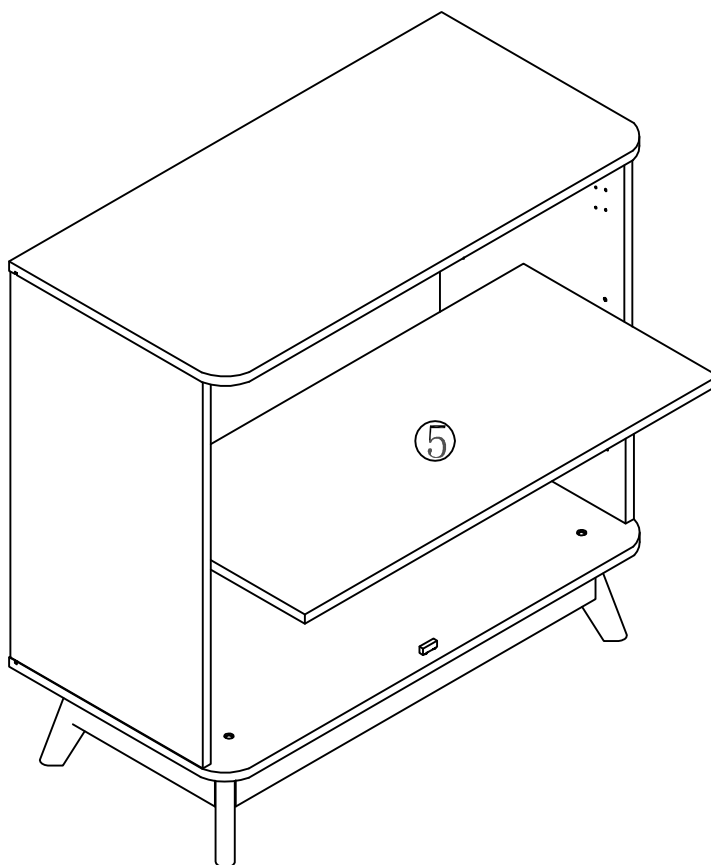
Step 10



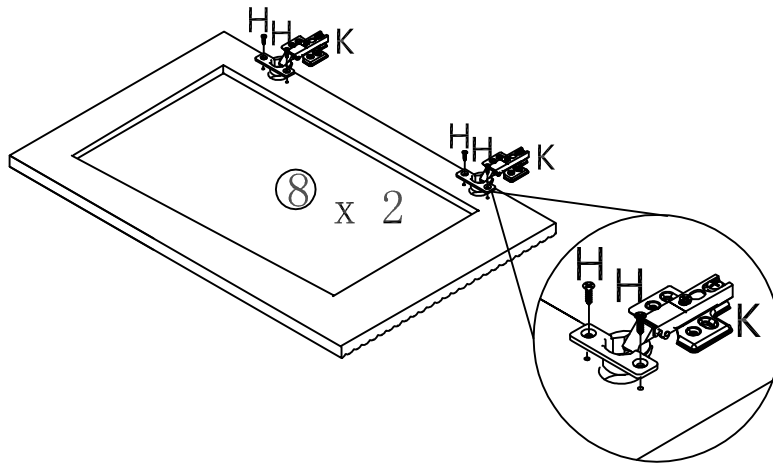
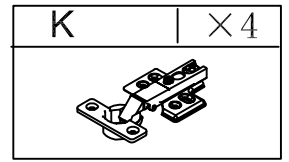
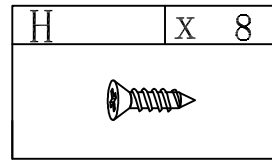
Step 11



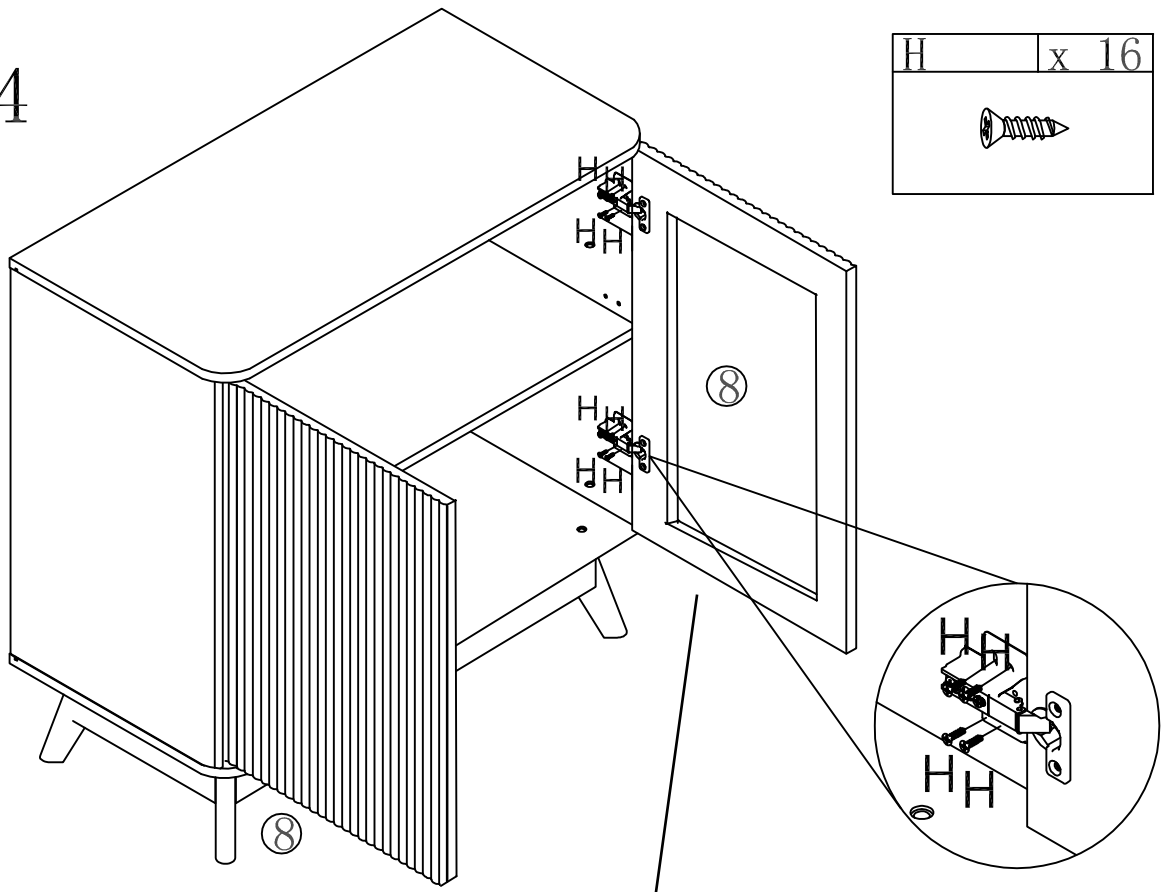
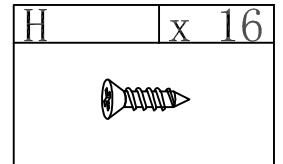
Step 12



Step 13



Step 14



How do I get the two doors to align flat by adjusting the hinges?



01 Adjust the screws shown in Figure 1 to adjust the doors up and down.



02 Adjust the screws shown in Fig. 2 and pull the door back and forth so that it can be opened smoothly.



03 Adjust the screws shown in Figure 3 to adjust the door left and right to the right position.



04 After the adjustment is complete, install the remaining two screws to secure the door in place.

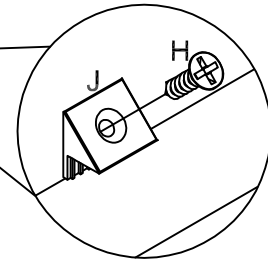
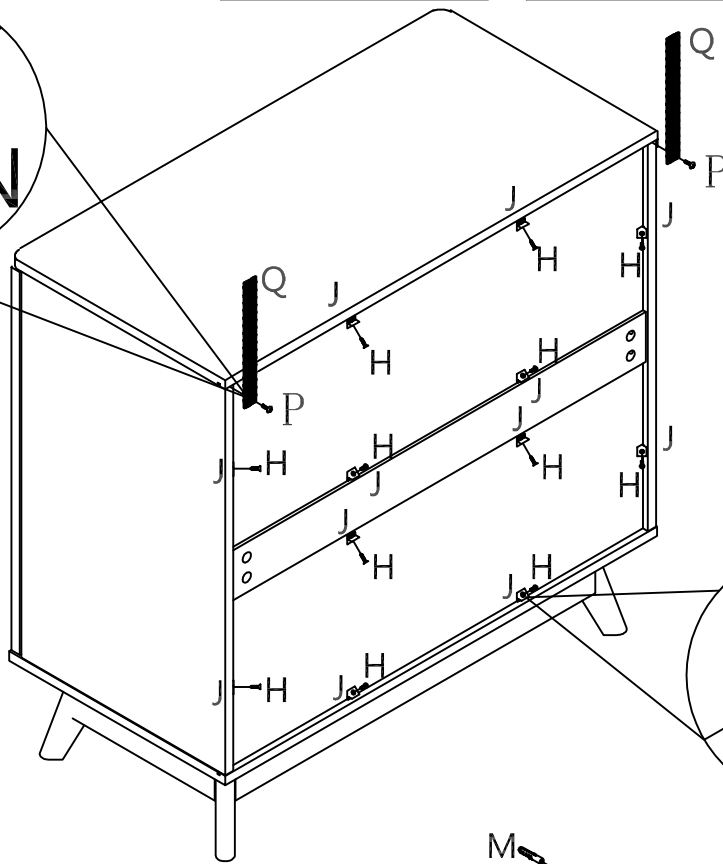
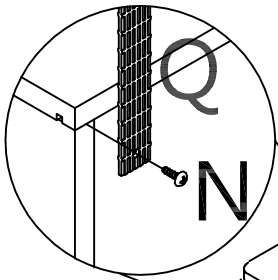
Step 15

Q	×2

H	× 12

J	× 12

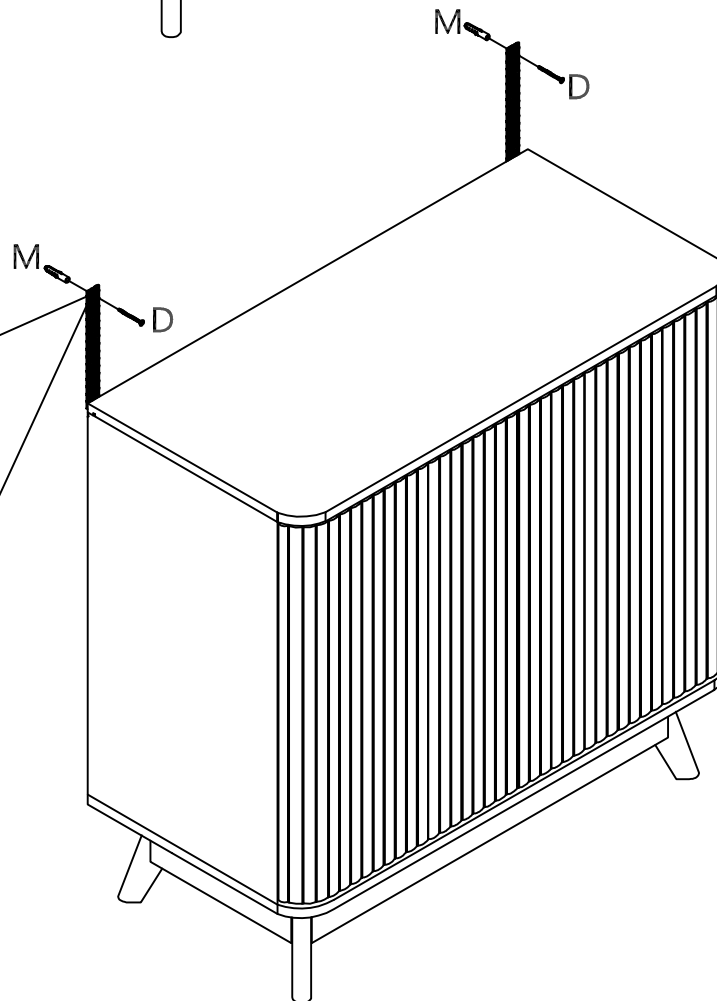
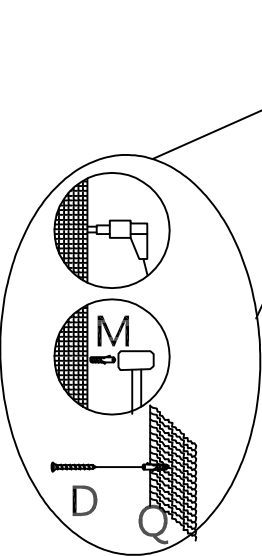
P	× 2

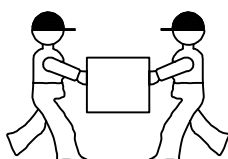
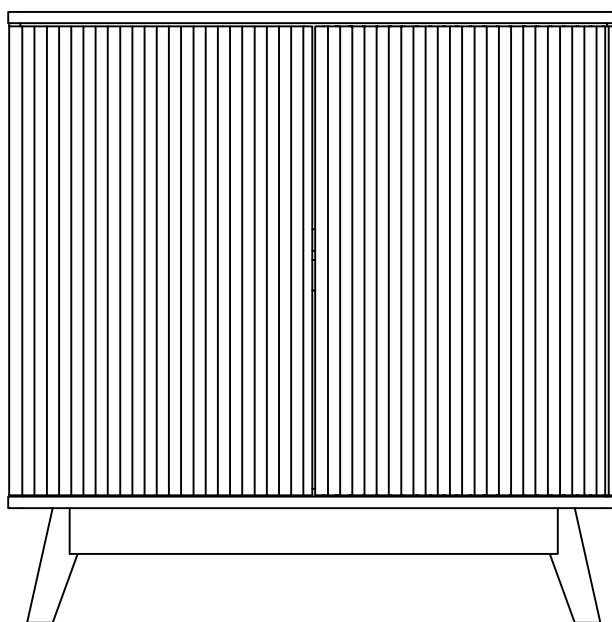


Step 16

D	×2

M	×2





Two people work together to move the table.
Make sure you lift it off the ground.
Don't push and pull.