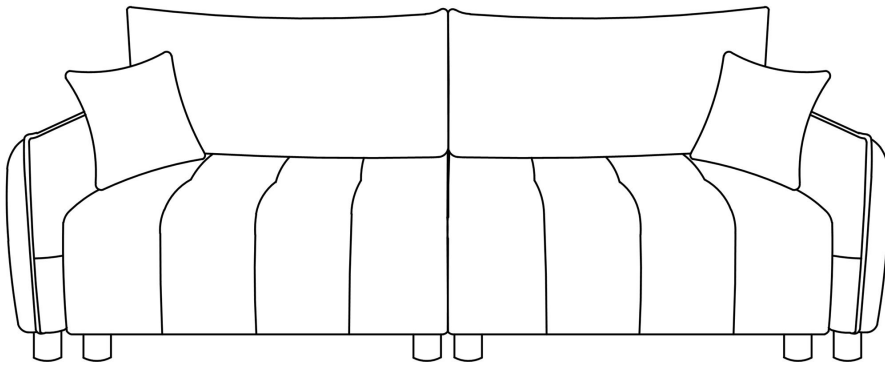
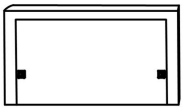


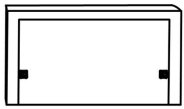
ASSEMBLY INSTRUCTION



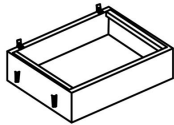
PARTS LIST



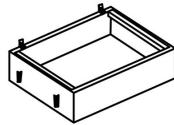
A*1PC



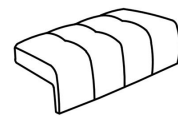
B*1PC



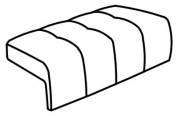
C*1PC



D*1PC



E*1PC



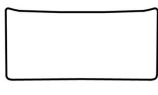
F*1PC



G*1PC



H*1PC



I*2PCS



J*2PCS



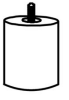
K*8PCS



L*4PCS

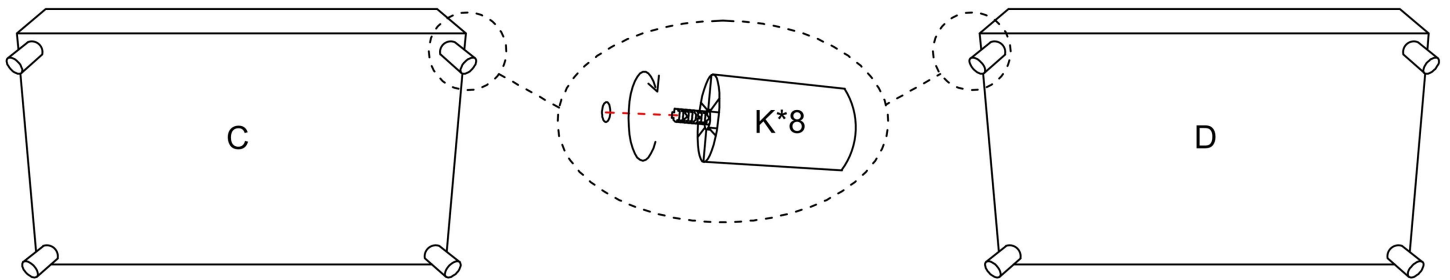


M*1PC

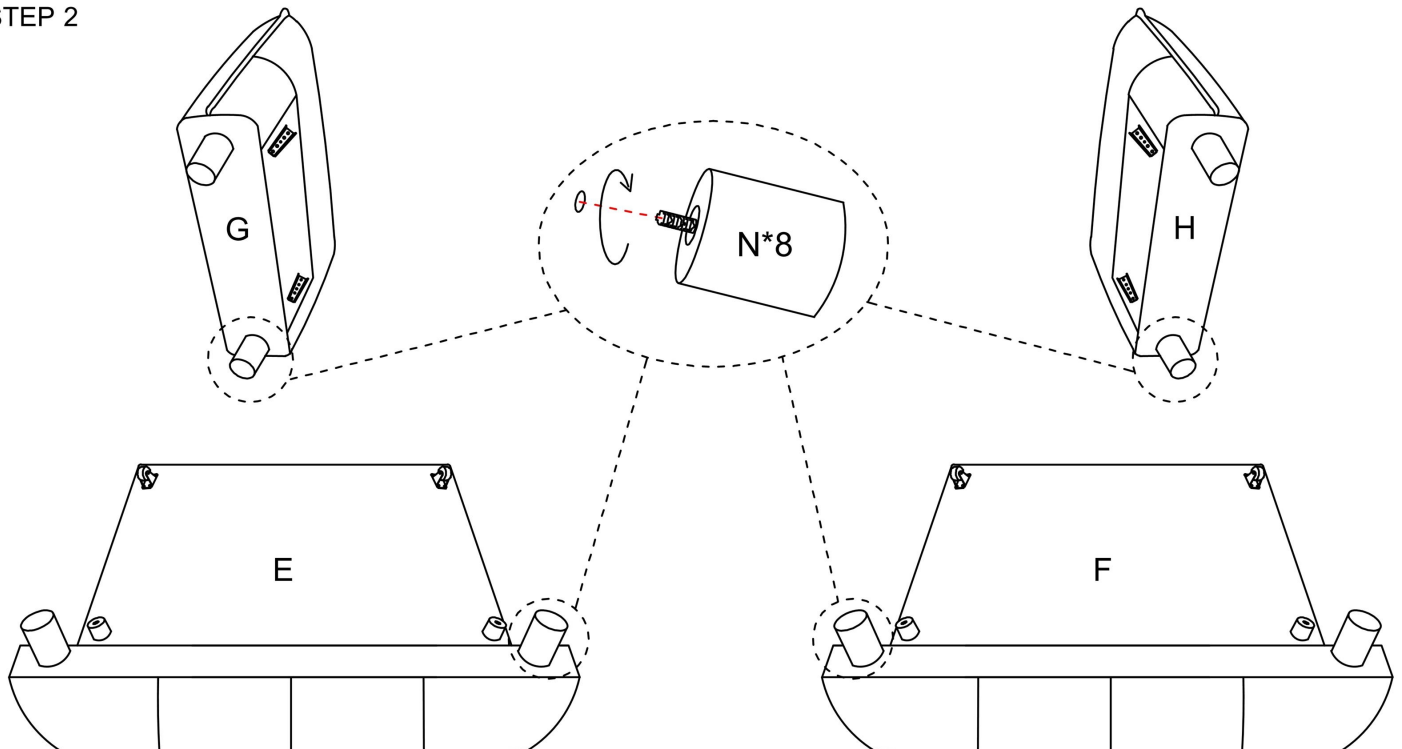


N*8PCS

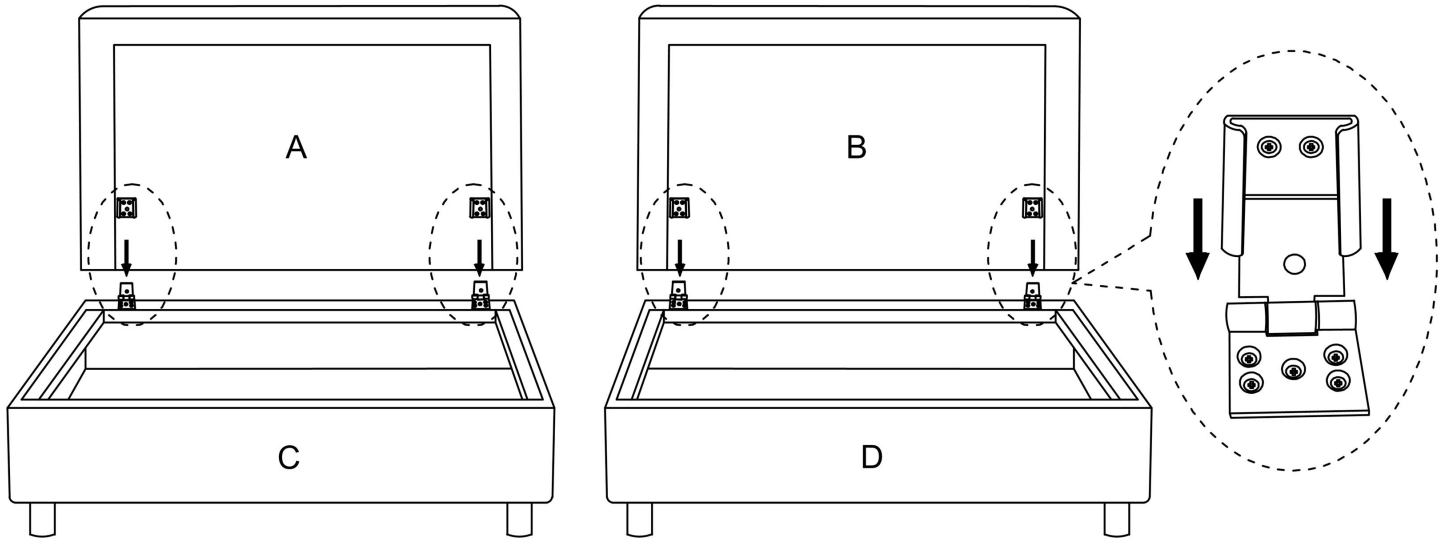
STEP 1



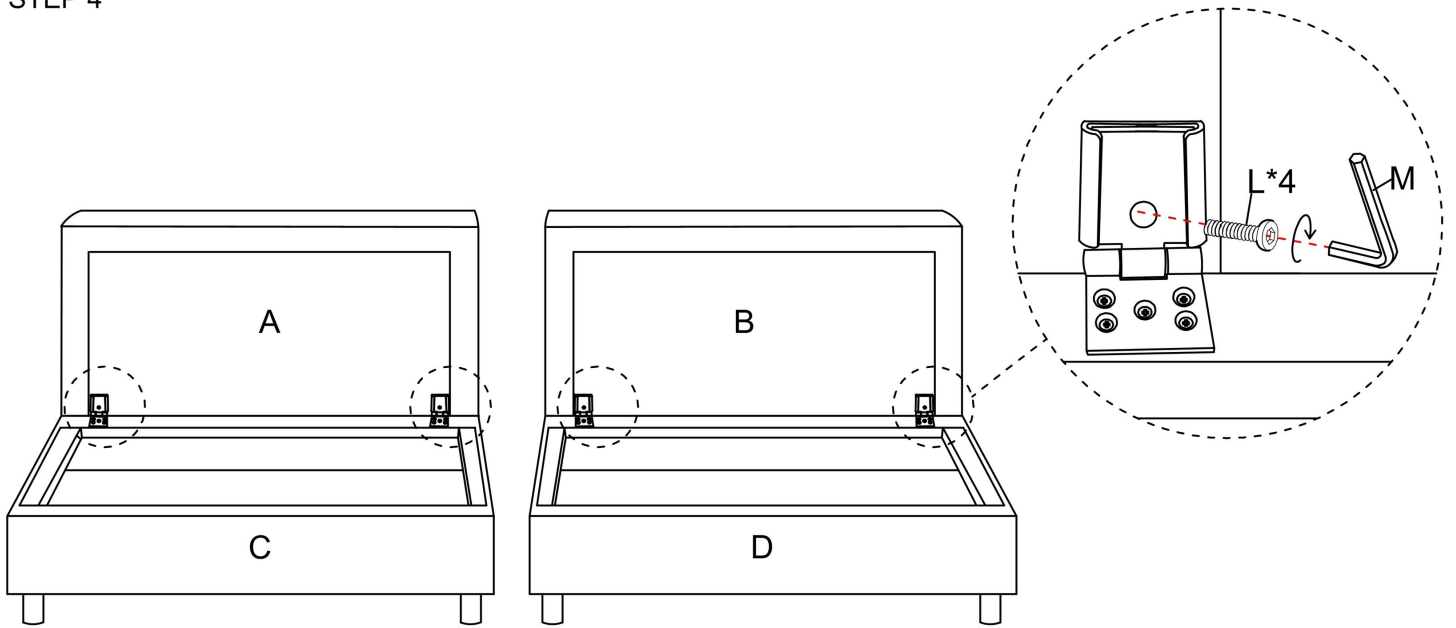
STEP 2



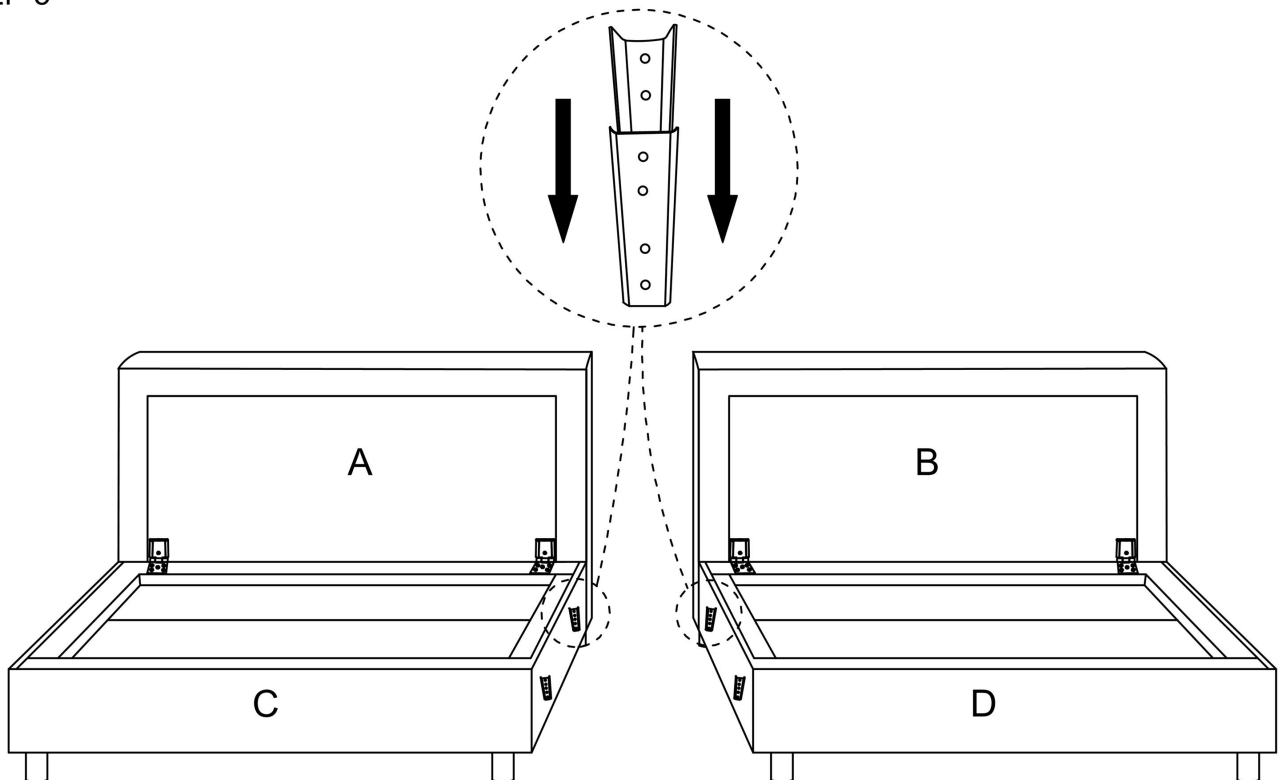
STEP 3



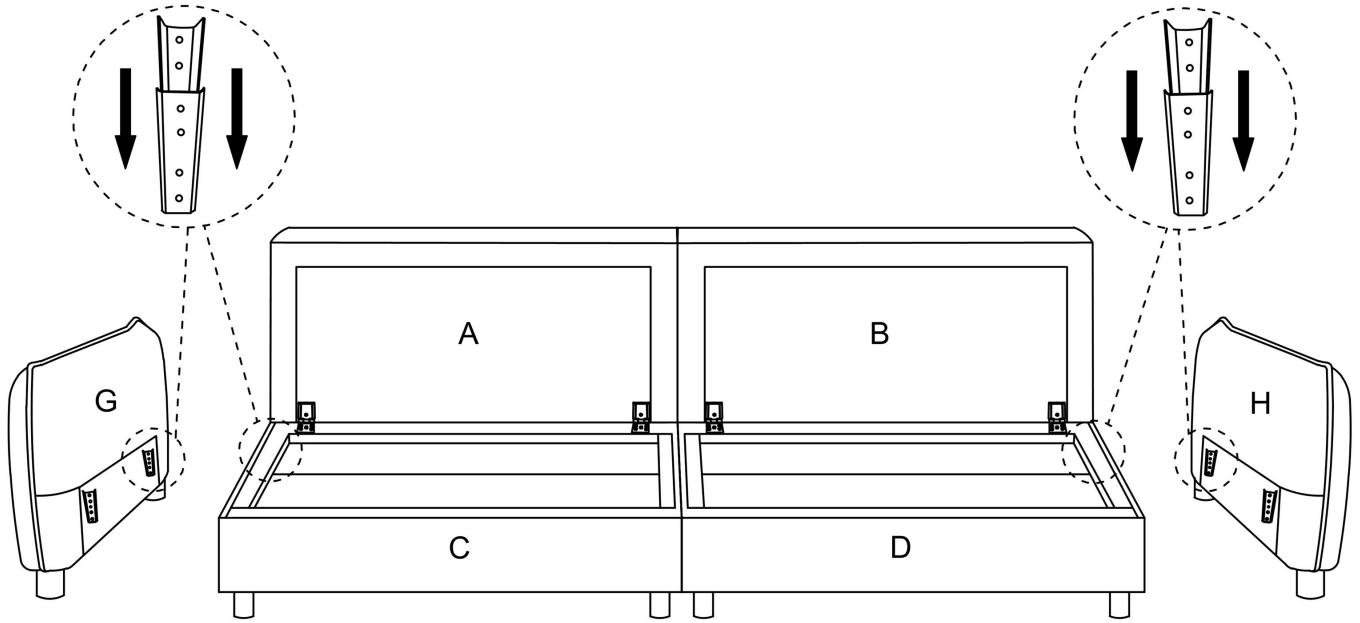
STEP 4



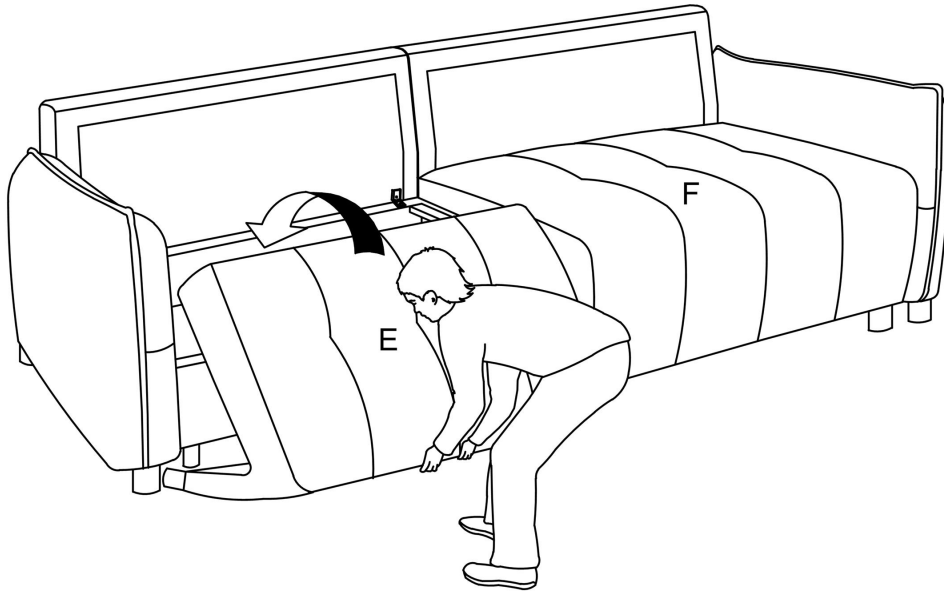
STEP 5



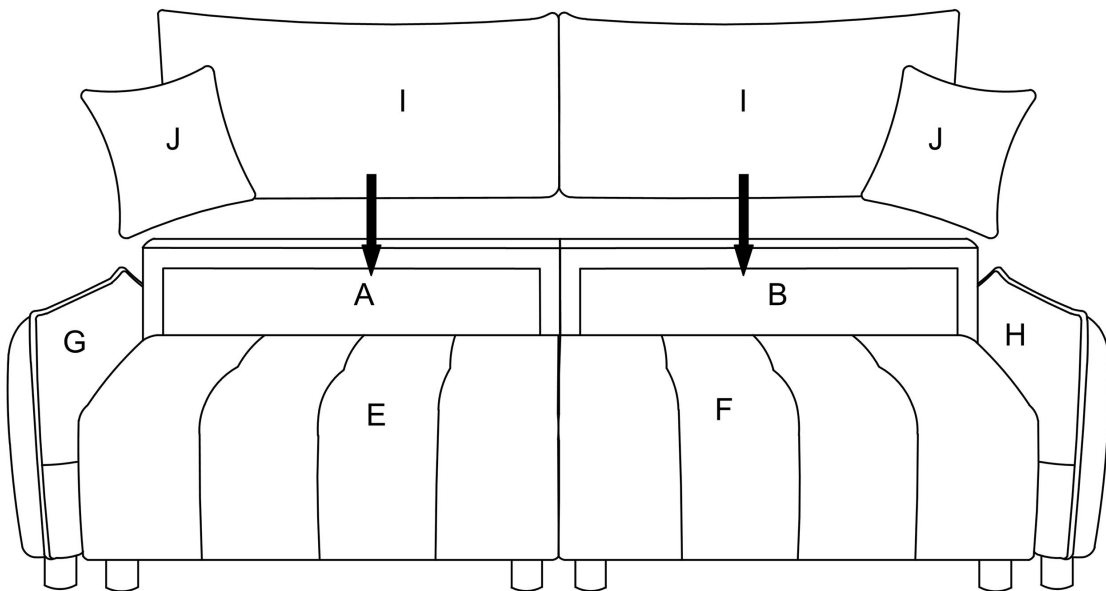
STEP 6



STEP 7



STEP 8



STEP 9

