

ASSEMBLY INSTRUCTIONS

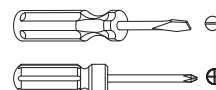
DINING CHAIR

ASSEMBLY
REQUIREMENTS

1-Person
Assembly

15 minutes
Assembly Time
(Approximate)

Assembly Tools
Required
(Not Provided)



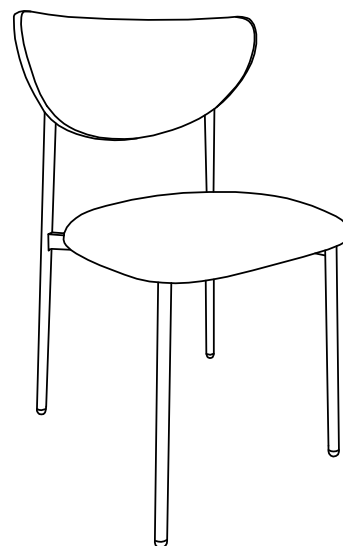
Thank you for purchasing our product!

Please refer and use this assembly instruction to assemble the product. Contact our customer service department in case there are any missing or damage parts or hardware. Replacement parts are normally shipped within 2 or 3 days.

PRODUCTS PURCHASED THROUGH OUR AUTHORIZED VENDORS ONLY ARE ELIGIBLE FOR REPLACEMENT PARTS.

We appreciate your business!

THIS PRODUCT IS FOR INDOOR AND HOUSEHOLD USE ONLY- NOT FOR COMMERCIAL USE.



ASSEMBLY PREPARATION

1. Remove all packaging materials, staples and packing straps from the carton.
2. Refer to Parts List and Hardware List, and ensure parts and hardware are correct before assembly. Contact customer service for missing parts.
3. Place all wooden parts on a clean, flat and soft surface (e.g. carpet or rug) to prevent scratch and damage to parts.

SAFETY PRECAUTION

1. KEEP ALL HARDWARE PARTS OUT OF REACH OF CHILDREN.
2. DISPOSE PLASTIC PACKAGING MATERIAL IMMEDIATELY TO AVOID ANY RISK OF SUFFOCATION TO CHILDREN AND ANIMALS.

TIPS FOR ASSEMBLY

1. Allow ample room for assembly and assemble the product near where the product will be placed.
2. Assemble the product on a surface that does not scratch or damage the exterior gloss and finish of the furniture
3. Identify all of the parts, hardware and quantities required for each step.
4. During assembly, do not over-tighten any fittings as this may cause damage.
5. DO NOT USE POWER TOOLS TO ASSEMBLE THIS PRODUCT.
6. Always place the product on a flat, level surface.
7. Do not sit or stand on the partially assembled product; only use the product for which it is intended.

CARE AND MAINTENANCE

- Wipe clean with a soft, dry cloth; avoid the use of harsh chemicals or household cleaners as they may damage the exterior finish of the furniture.
- Hardware may loosen over time. Periodically, check that all connections are tight; re-tighten as necessary.
- Solid wood is impacted by heat and humidity fluctuations which may cause small joint separations or hairline cracks; place the furniture away from direct sunlight and air conditioning vents, heating vents or units to protect the furniture.

ASSEMBLY INSTRUCTIONS

DINING CHAIR

Parts List

Part #	Part Name	Quantity
(1)	Chair Seat	1
(2)	Metal Back	1
(3)	Frame Metal Front Leg	1

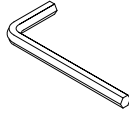
Hardware List



Allen Bolt
M8x15
Ax2



Allen Bolt
M6x20
Bx4



Allen Key
Cx1
M4

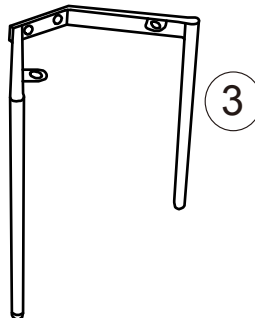
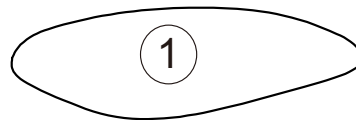
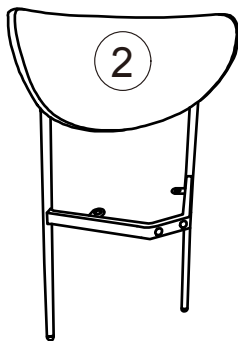


Spring Washer
Dx4



Flat Washer
Ex4

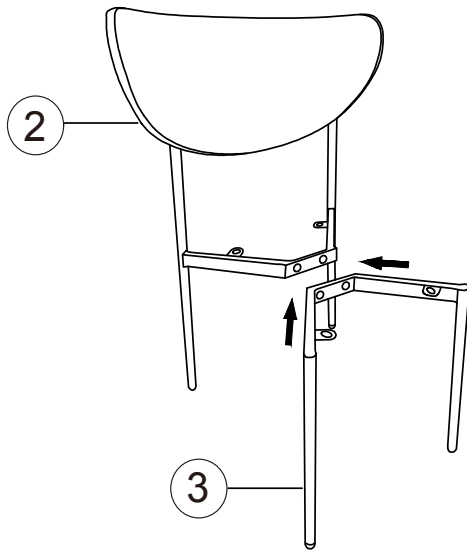
Parts Assembly Overview



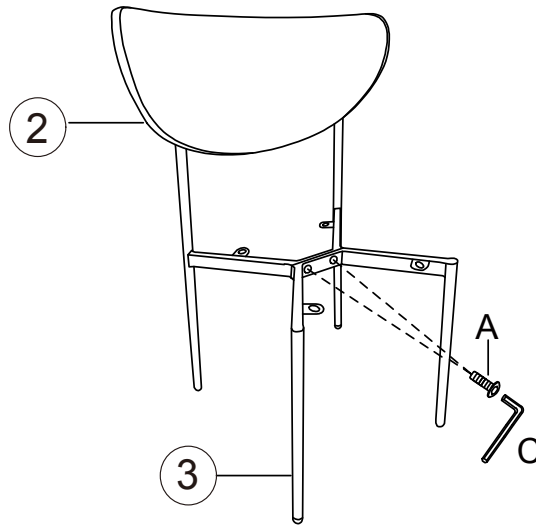
ASSEMBLY INSTRUCTIONS

DINING CHAIR

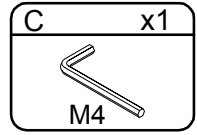
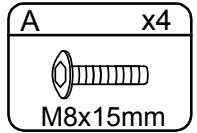
STEP 1



Drawing 1A

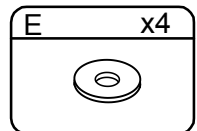
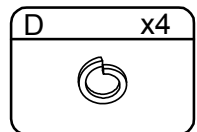
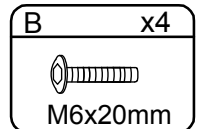
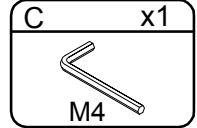
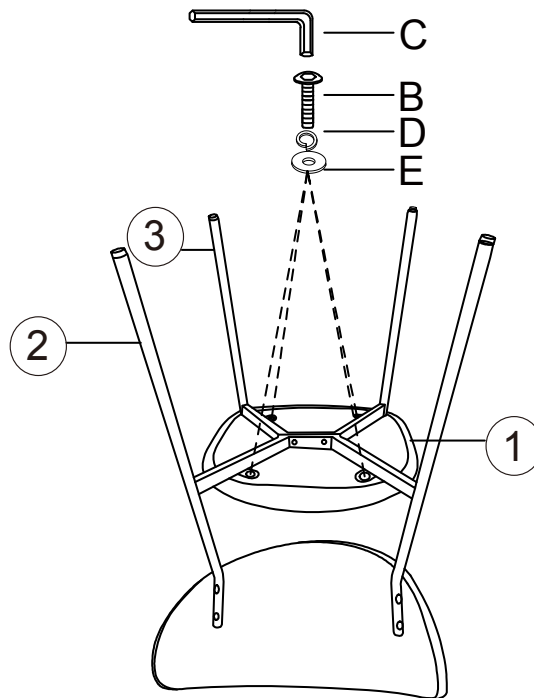


Drawing 1B



- Refer to Drawing 1A - Place Metal Back Frame (2) and Metal Front Leg (3) as shown.
- Refer to Drawing 1B - Use Allen Bolt (A) to fasten (3) to (2). Use Allen Wrench (C) to drive (A). Do not tighten (A) completely until both bolts are in place.

STEP 2

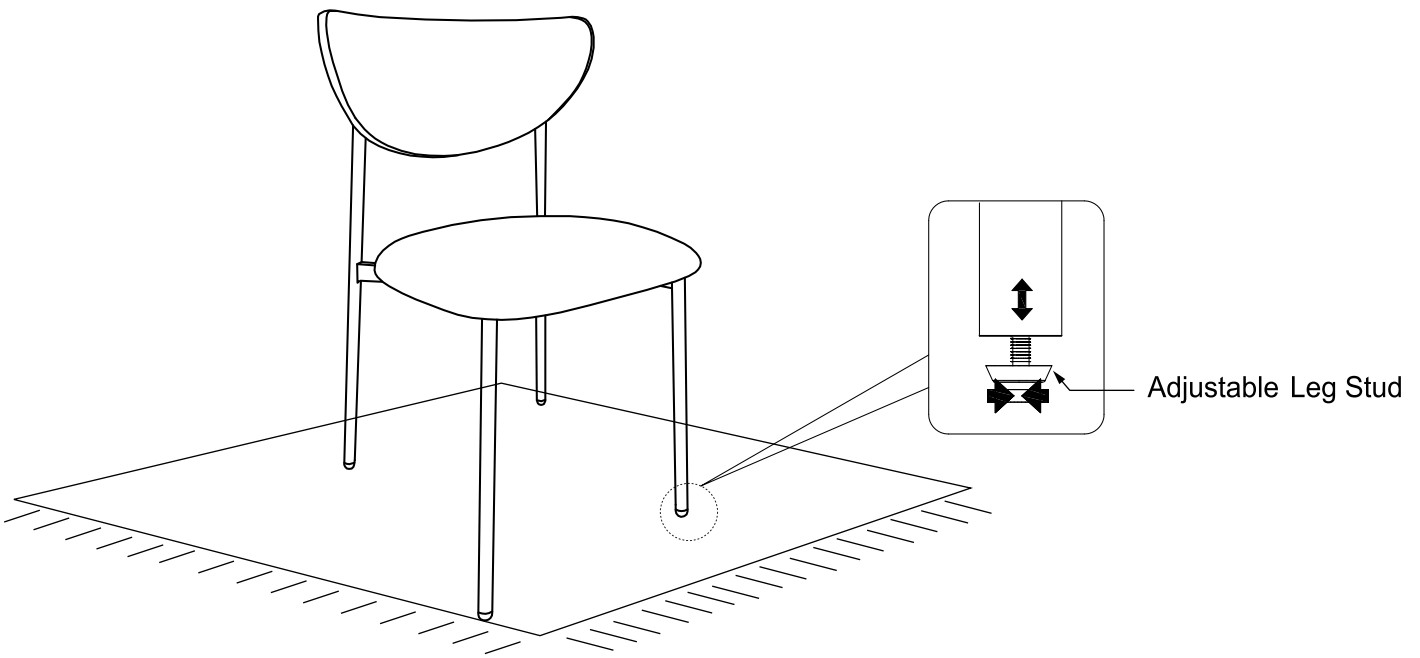


- On an elevated (e.g. table top), place Chair Seat (1) with the bottom-side of the seat facing up .
- Position the back frame and leg assembly from STEP 1 as shown and align the bolt holes on bracket of the back frame and leg assembly to the bolt holes on the bottom side of the seat.
- Use Allen Bolt (B) fitted with Spring Washer (D) & Flat Washer (E) to fasten the back frame and leg assembly to (1).
- Use Allen Key (C) to drive (B). Do not tighten the bolts completely until all of the 4 bolts are in place.

ASSEMBLY INSTRUCTIONS

DINING CHAIR

STEP 3



Adjust Leg Stud to ensure all 4 legs rest on the floor and the Chair is balanced.

The assembly of the Chair is completed.