

CARE AND MAINTENANCE

Never use abrasive or acid-based cleaners on the shelf rack.

Clean shelves and rods with a solution of mild detergent and water .Use a soft cloth or sponge to wipe parts.Rinse and dry thoroughly.Keep surfaces dry and clean for a longer lasting finish.

NOTICE

Please read and understand these instructions before attempting to assemble,operate or install the product.

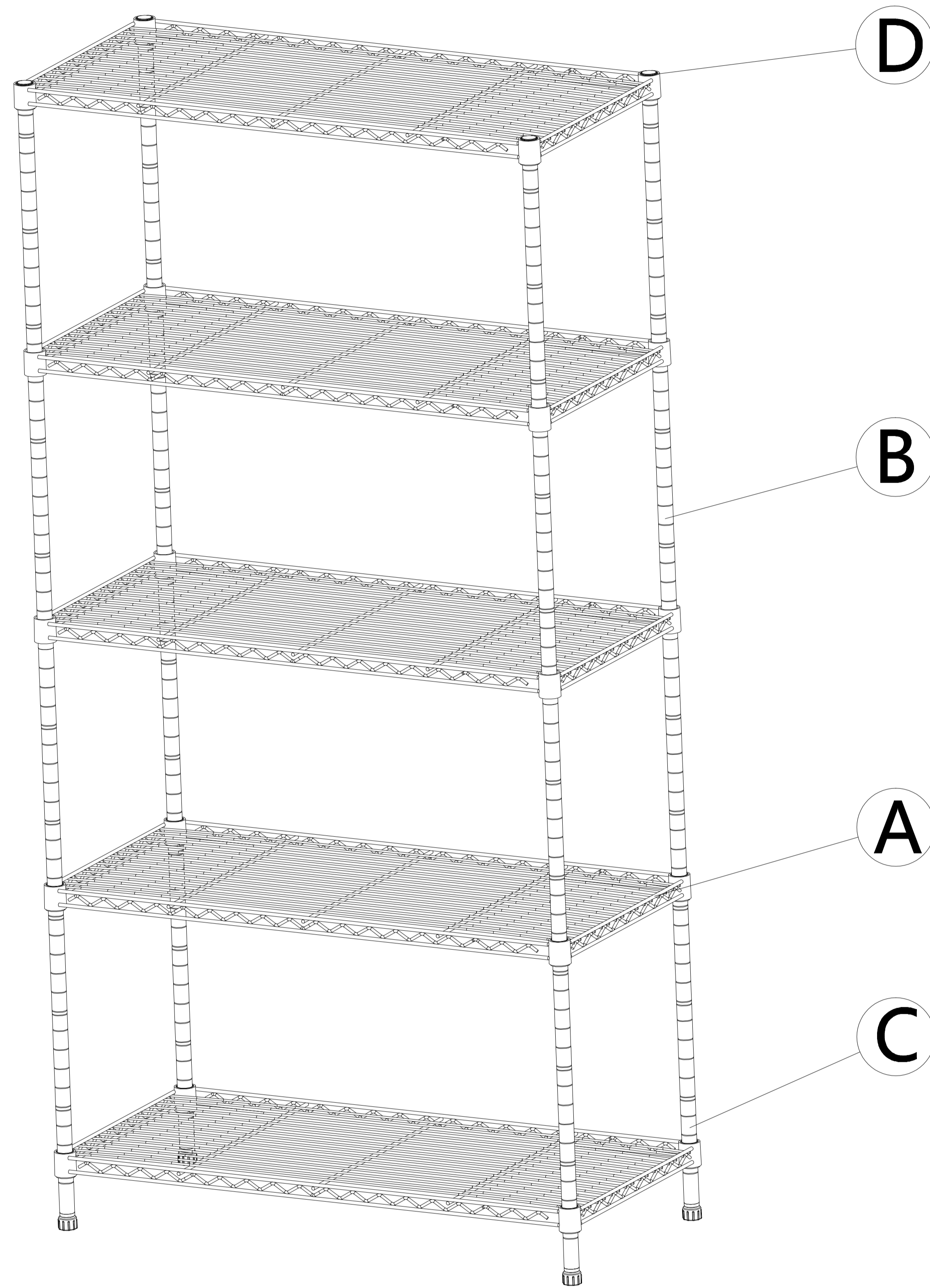
-Two adults required for a assembly.

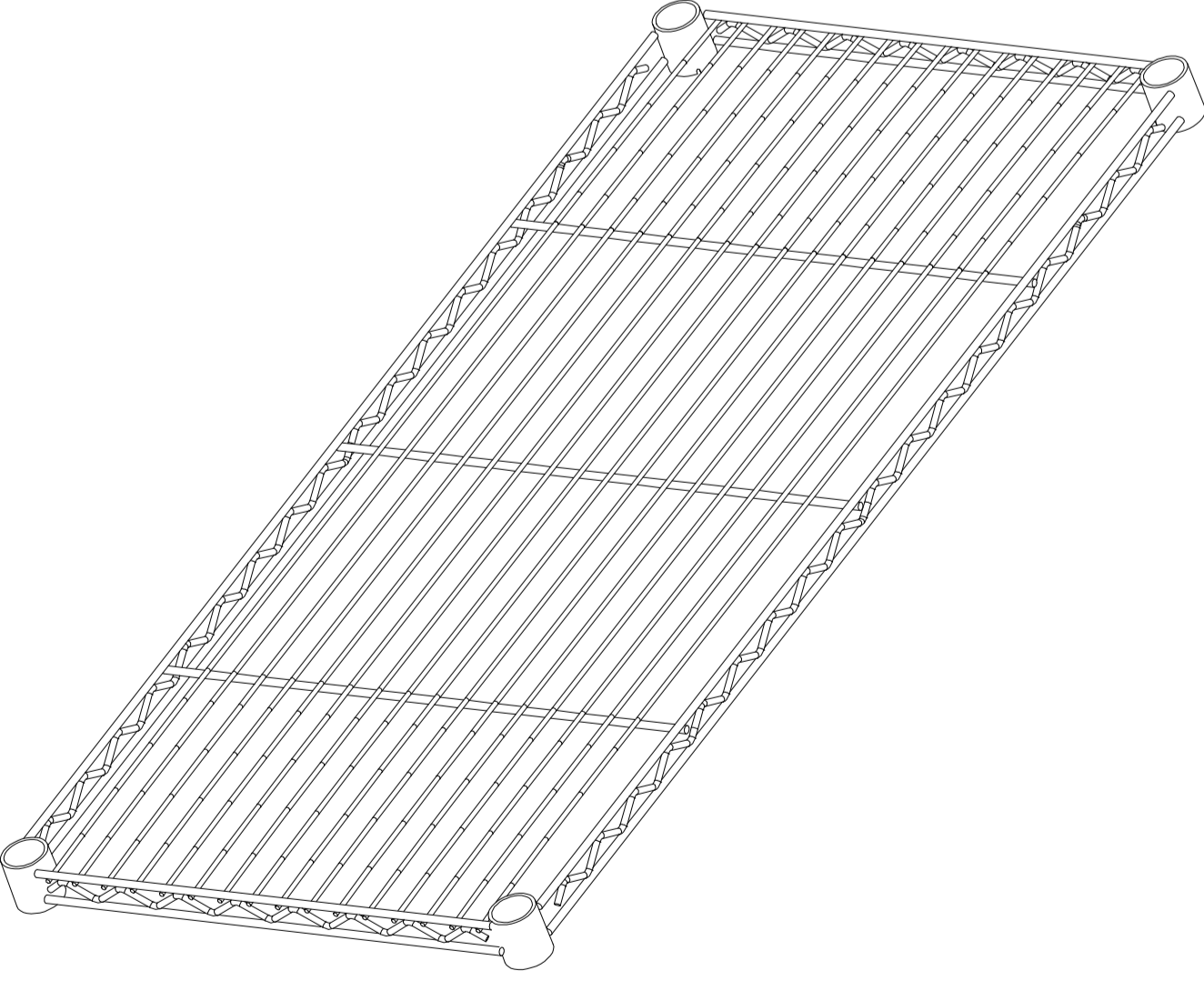
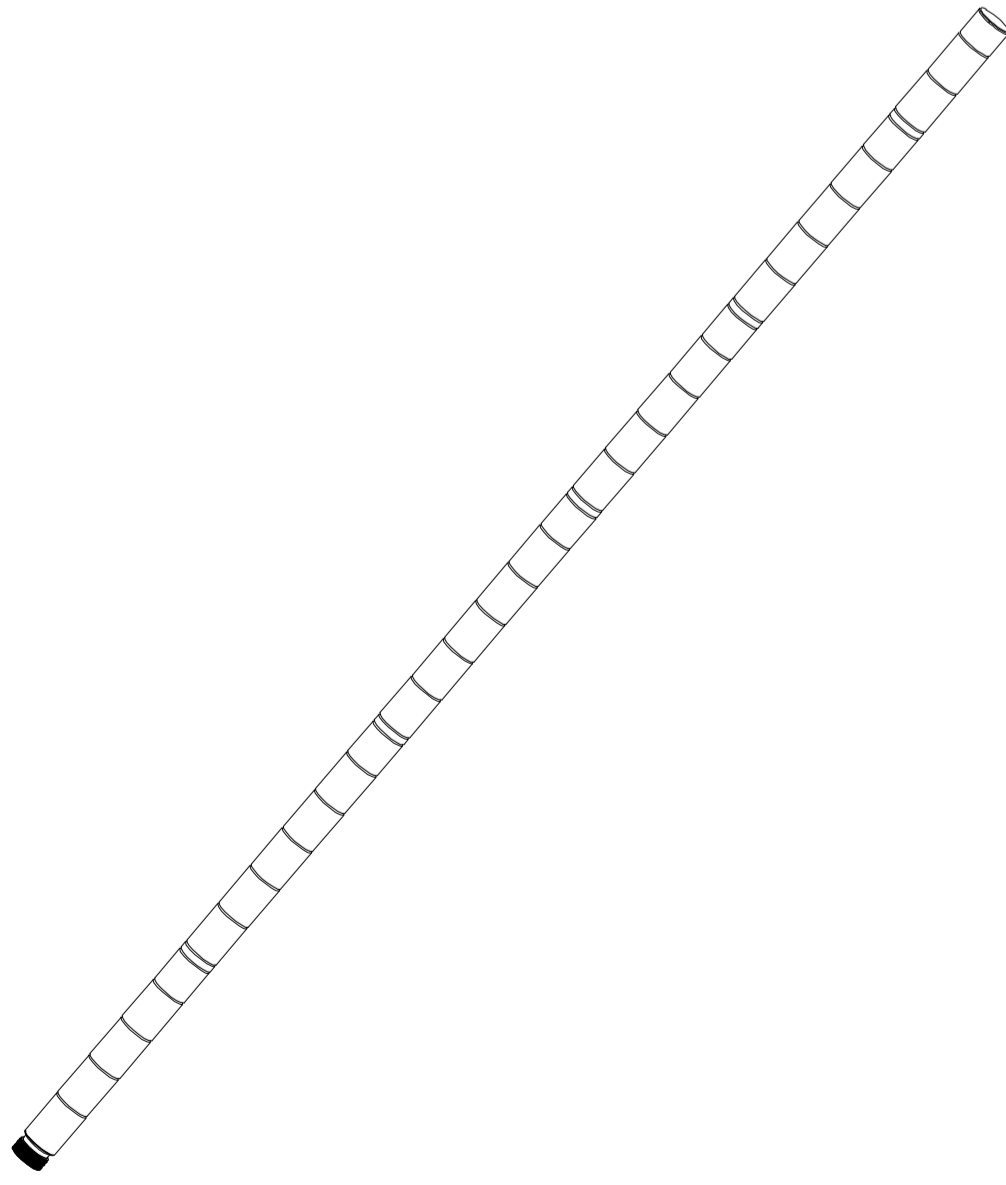
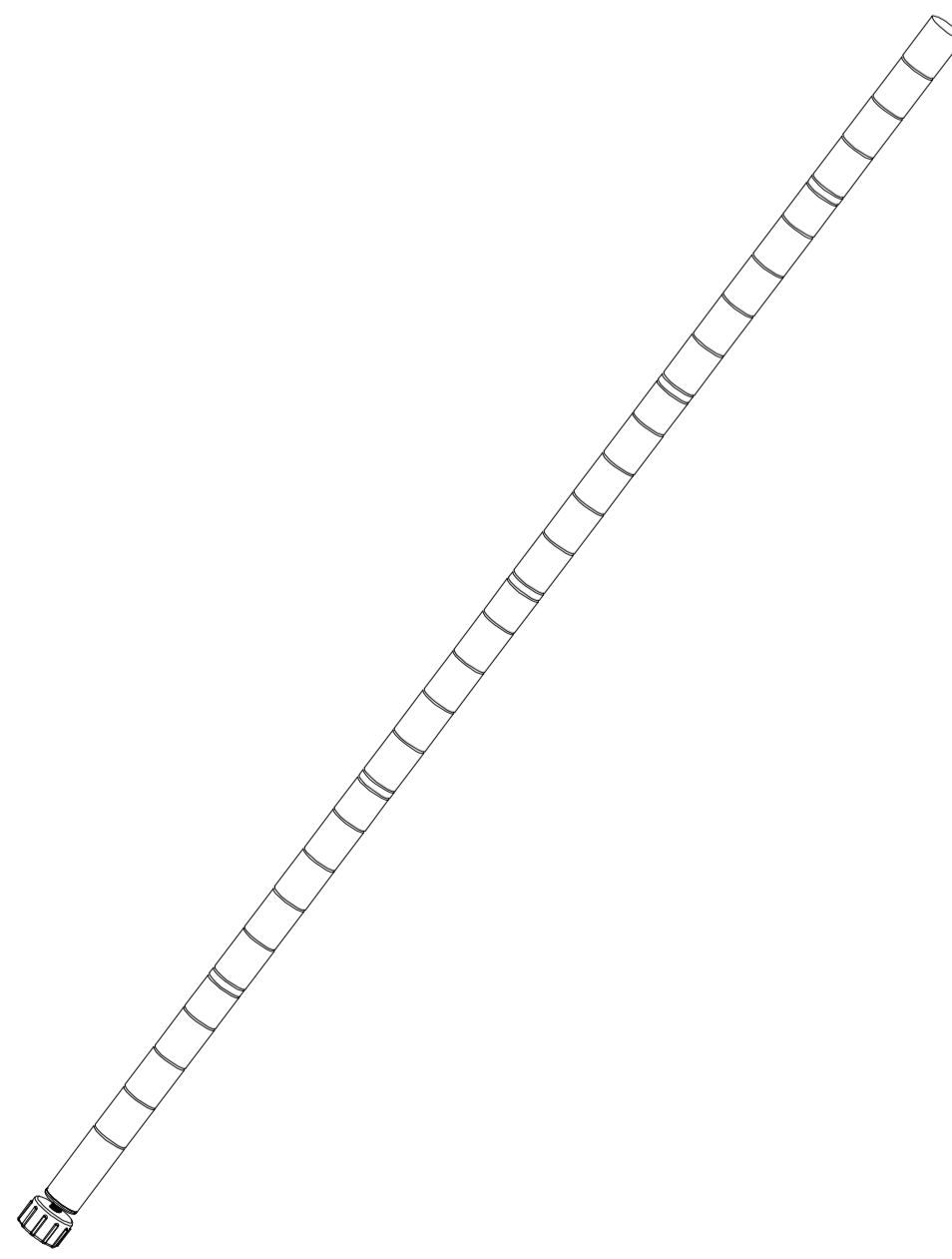
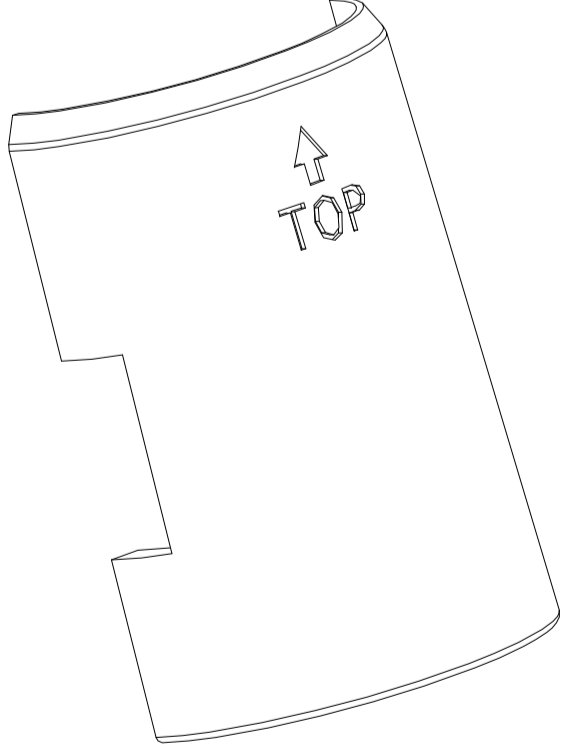
-Do not allow children to climb or play in or around the shelves .

-Each shelf holds up to 110 Ibs.When items are evenly distributed.

-Assemble on a soft surface,such as carpeting to avoid scratching the finish .

SIZE: W35.4XD17.7XH70.8in



No.	A	B	C	D
Name	Wire Shelf	Upper Pole	Lower Pole with Leveling Foot	Plastic Clip
Parts				
Quantity	5PCS	4PCS	4PCS	40PCS

PREPARATION

1.Before beginning assembly of product,make sure all parts are present.Compare parts with package contents list and hardware contents .If any parts is missing or damaged,do not attempt to assemble the product .

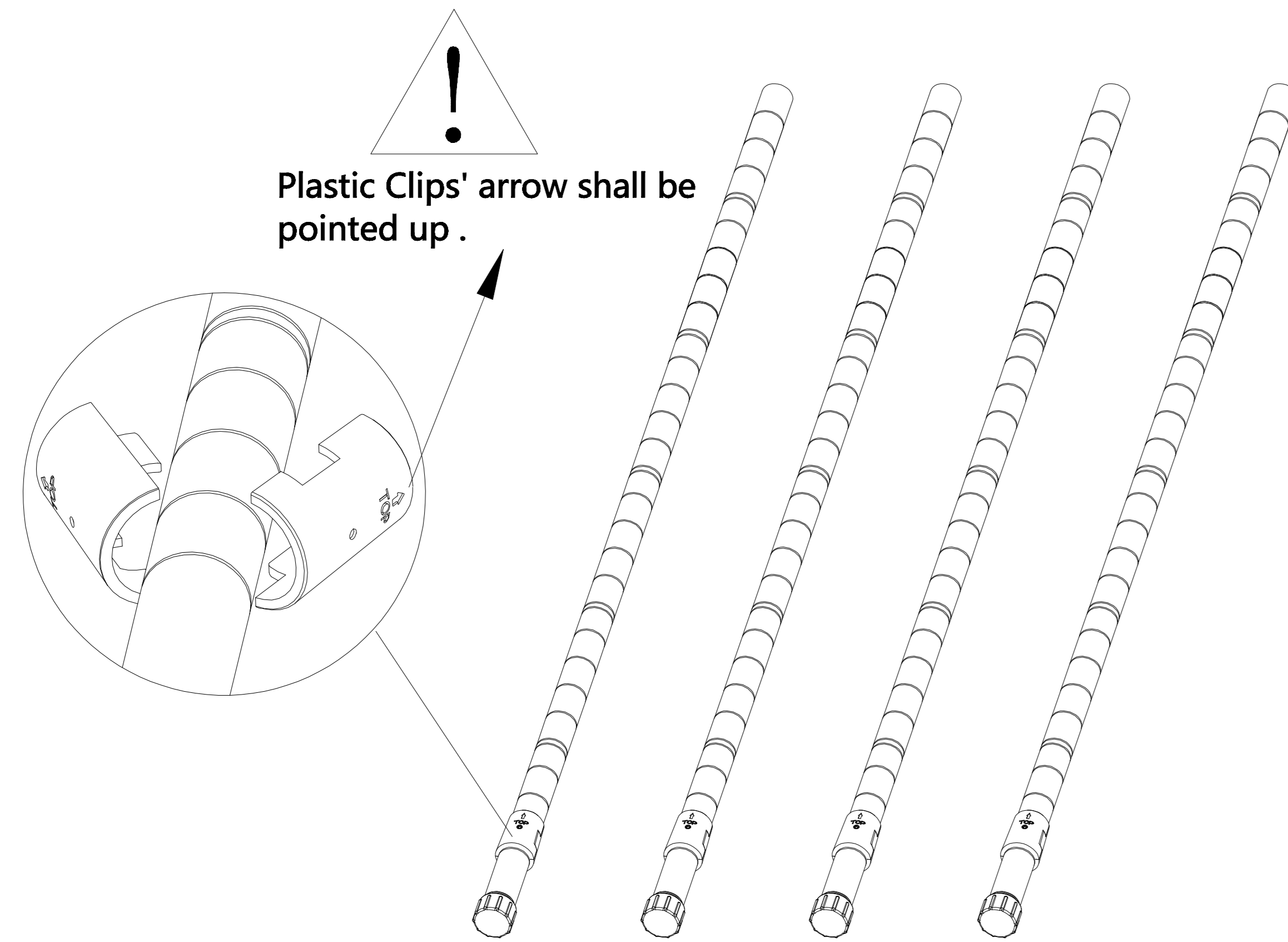
2.Estimated Assembly Time :Approximately 15-20 minutes.

3.Helpful Tools(not included):Rubber Mallet.

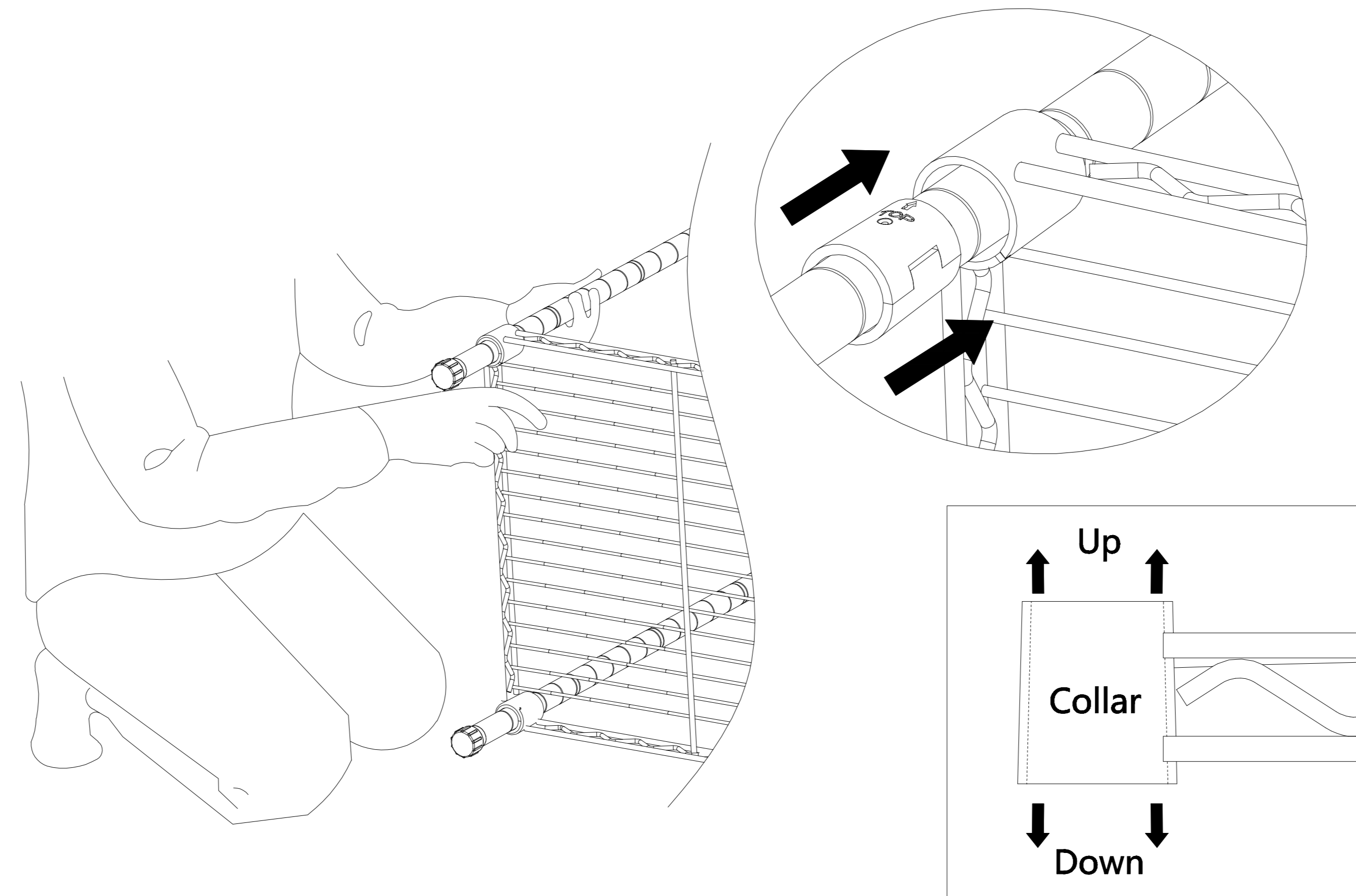
4.No Tools Required for Assembly.

Assembly Steps:

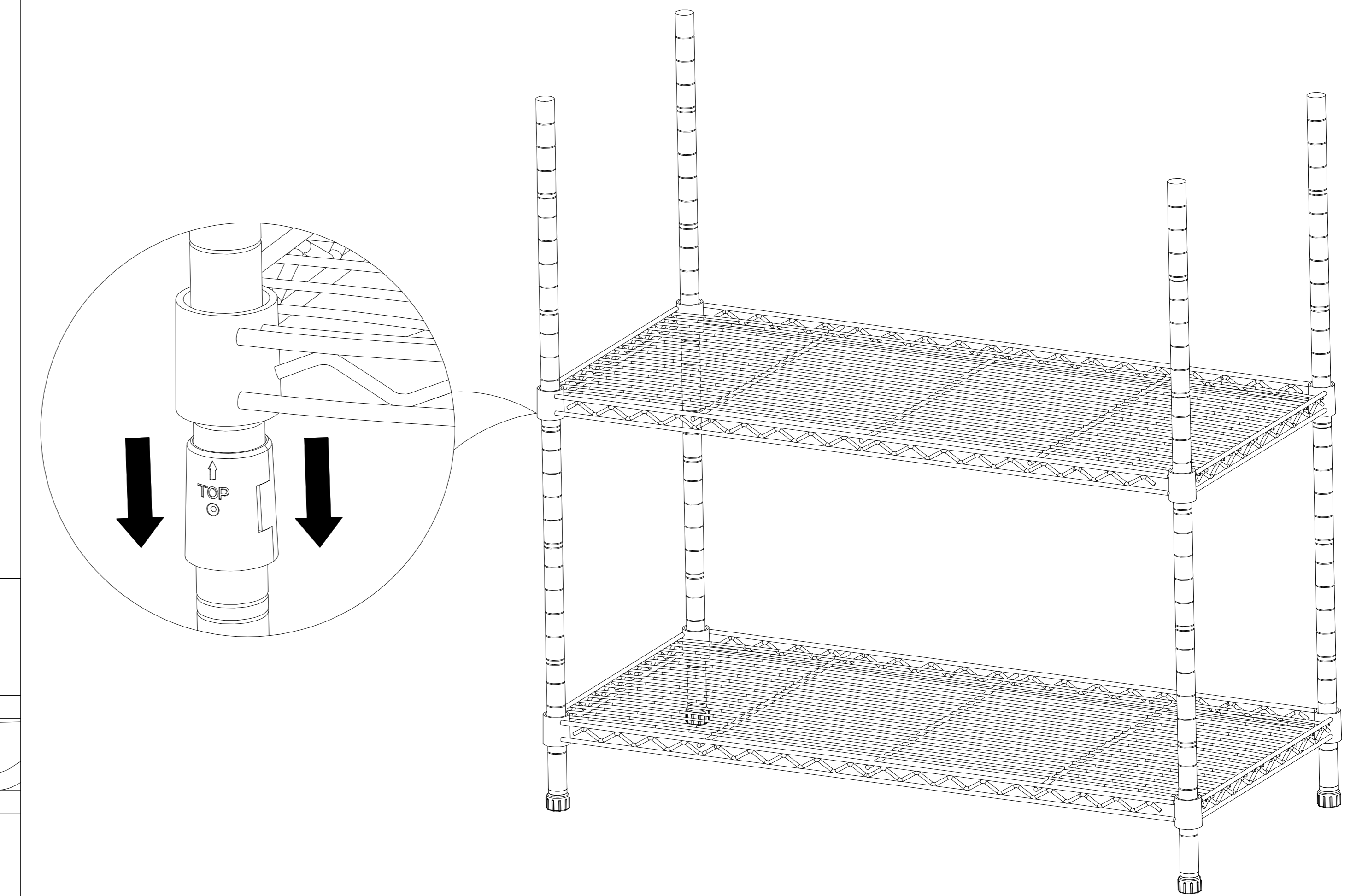
- ① Snap the plastic clips(D) on the grooves of four pieces lower pole(C) at the same position. And make sure the arrow of all the plastic clips should be pointed up.



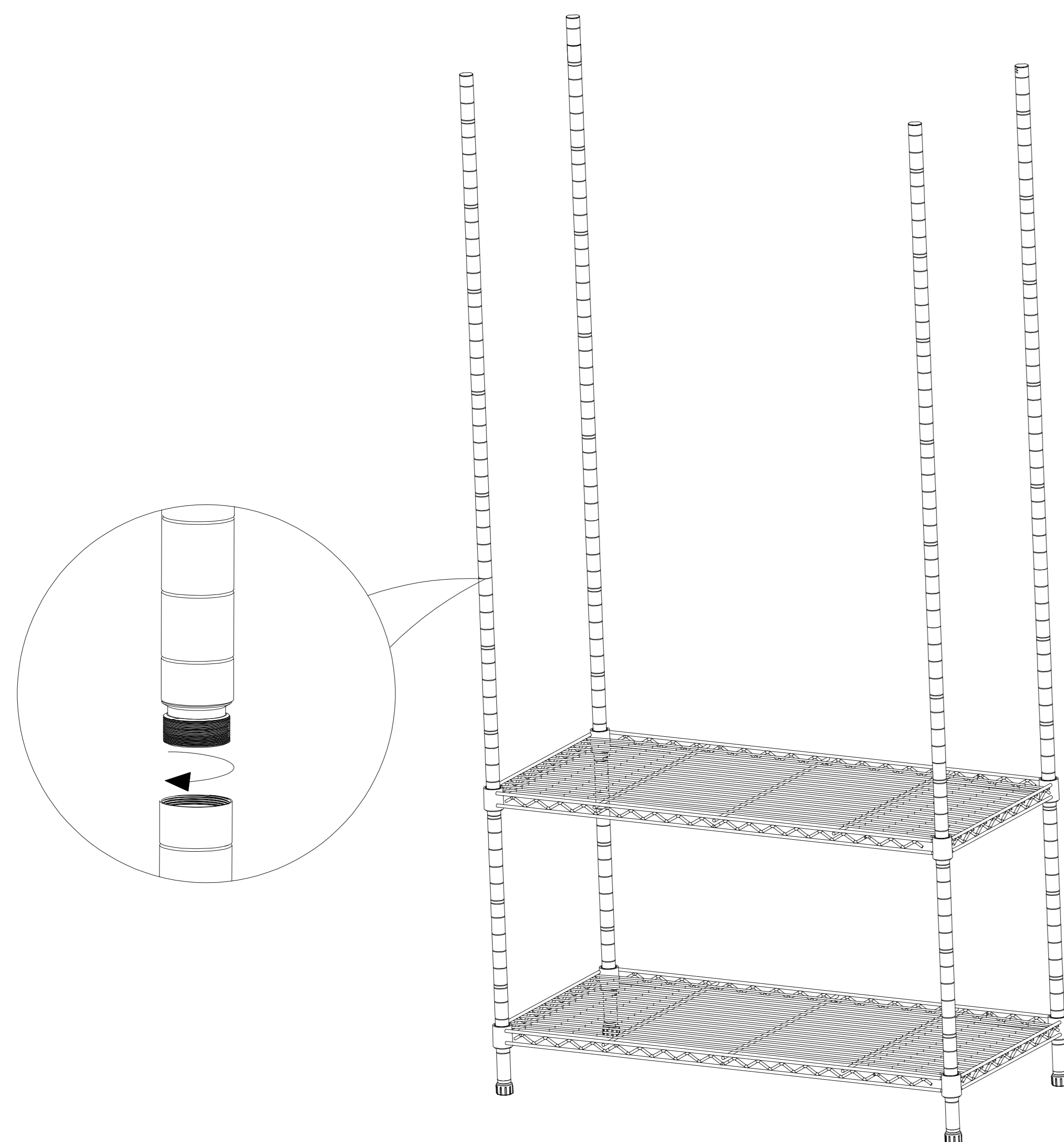
- ② Please make sure that you have the wire shelf(A) the correct way up. Hold the shelf on its side and slide the top of four lower poles through the bottom of each shelf at its corners until there is snug fit. After 4 poles have been slid through the shelf collar holes, set the shelf upright.



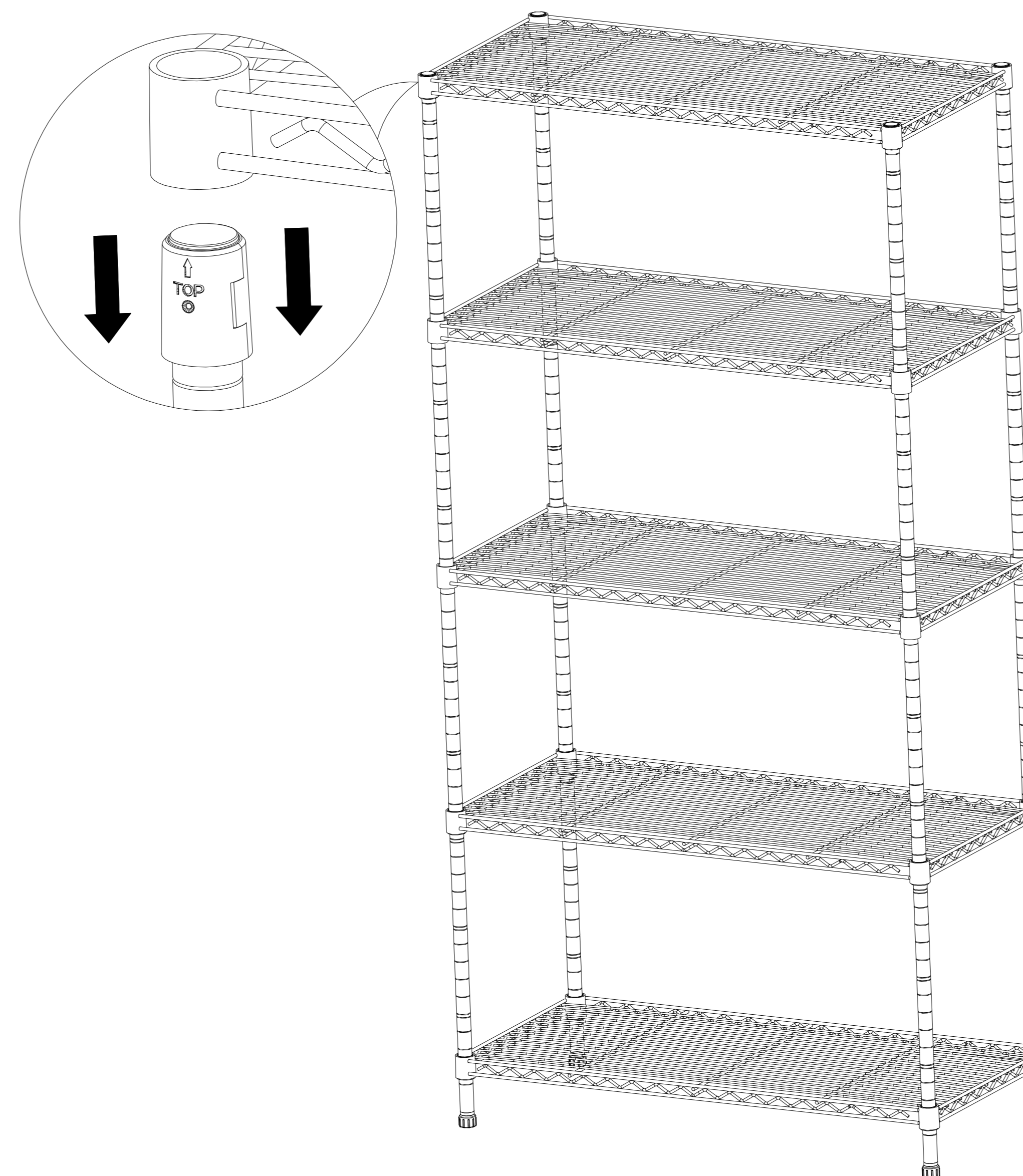
- ③ Refer to the Step ① to snap the plastic clips on the grooves of four pieces of lower poles at your desired position and slide down the wire shelf from the top of each lower pole down onto the plastic clips.



- ④ Screw upper poles(B) into lower poles by screw connectors which is already assembled on the upper poles.



- ⑤ Refer to the Step ③ to snap the plastic clips on the same grooves of each pole at your next desired position to assemble the other three pieces of wire shelves.



- ⑥ Pushing firmly down on every wire shelf at its corners by rubber mallet to ensure all the shelves in a place over the plastic clips. And screw leveling feet in or out to attain proper leveling.

