

Assembly Instructions

Are you happy with your purchase?

Yes: That's great, we would love to hear more from you. Please leave us a review on our social media channels or Trustpilot. Your feedback will be greatly appreciated.

No: If for any reason there is something missing, indifferent or incorrect with your order, please contact the retailer you purchased the item from. We will work with the retailer to resolve your issue as quickly as possible.

ASSEMBLY INSTRUCTIONS

IMPORTANT : READ THESE INSTRUCTIONS CAREFULLY BEFORE ATTEMPTING TO ASSEMBLE OR USE YOUR STOCKWELL 4 + 2 CHEST RUSTIC.

PLEASE KEEP THESE INSTRUCTIONS FOR FUTURE REFERENCE.

ASSEMBLY:

Assembly should be carried out with this item laying flat, not standing upright.

Assemble on a soft, clean surface to prevent damages.

To erase the numbers printed on the pieces, use the rubber inside the accessories pack.

HEALTH & SAFETY:

DO NOT use this product if any parts are missing, damaged or worn.

DO NOT use this product unless all fixings are secured.

Always use on a level, even surface.

CARE & MAINTENANCE:

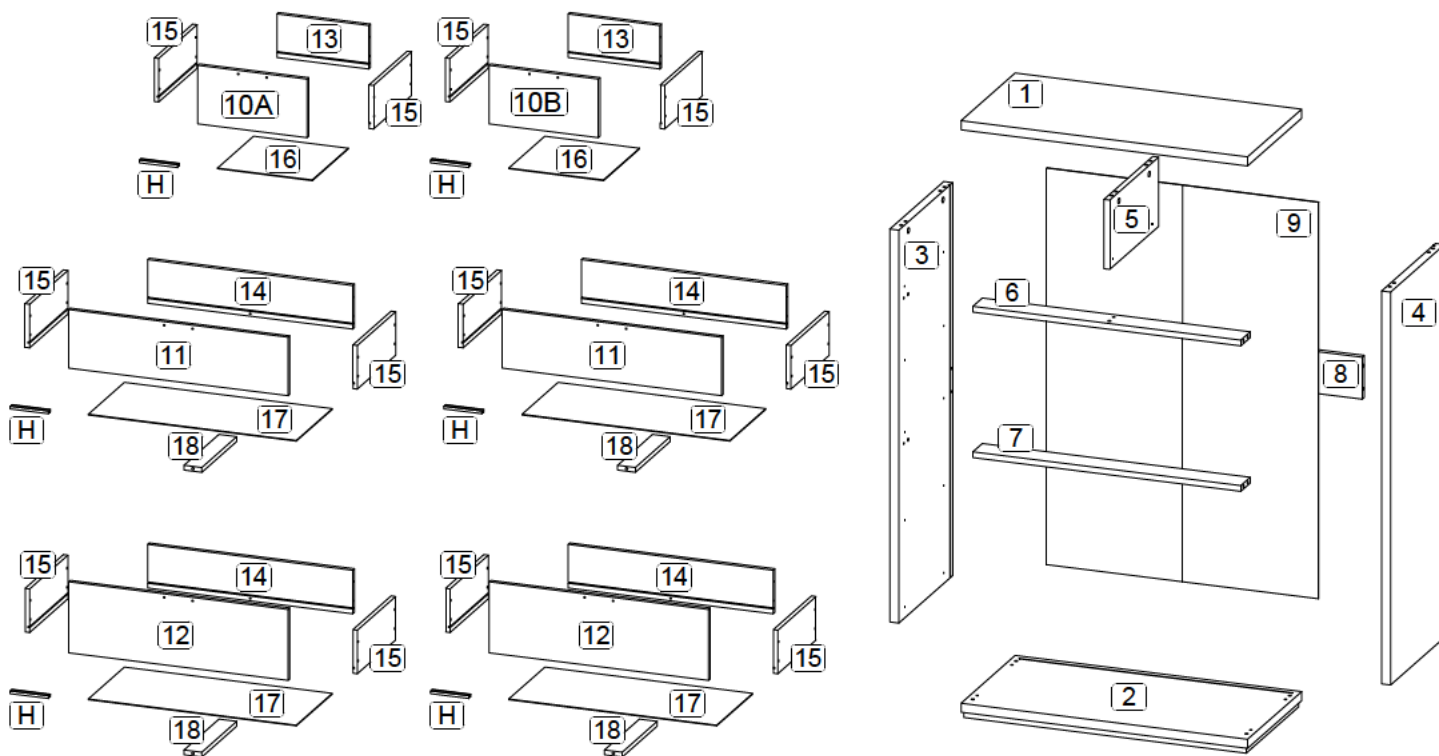
Periodically check all screws & fixings to ensure they are secure.

DO NOT push this product as this will cause damage.

Always lift this product with two people to reposition.

Keep any sharp objects away from this product.





Parts List				Hardware List (BOX 2)			
Part	Description	Box	Qty	Part	Description		Qty
01	Top panel	1	1	A1	Cam lock		24
02	Bottom panel	2	1	A2	Minifix screw		24
03	Side panel (Left)	1	1	A3	Plastic cap		24
04	Side panel (Right)	2	1	B	M8 x 30mm Wood Dowel		17
05	Center panel	1	1	C	M6 x 60mm CSK Cap Wood screw		5
06	Middle bone (Up)	2	1	D	Allen key M4		1
07	Middle bone (Down)	2	1	E	M3.5 x 16mm C.B Screw		74
08	Back bone	2	1	F	M4 x 25mm C.B Screw		12
09	Back panel	1	1	G	M4 x 38mm C.B Screw		48
10A	Drawer front (Small Left)	1	1	H	PCV Handle 7050.96		6
10B	Drawer front (Small Right)	1	1	I1	Stud 192		8
11	Drawer front (Up)	1	2	I2	Stud 192 screw		8
12	Drawer front (Down)	1	2	J1	14" Drawer slide (Left / Right)		12
13	Drawer back (Small)	1	2	J2	14" Drawer slide (Left / Right)		12
14	Drawer back	2	4	K	8" x 1" PP tape		2
15	Drawer side	1	2	L	Wall plug		-
		2	10	M	5/8 PCV Nail Leg		6
16	Drawer bottom (Small)	1	2				
17	Drawer bottom	1	4				
18	Drawer bone	1	4				

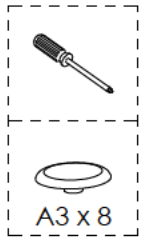
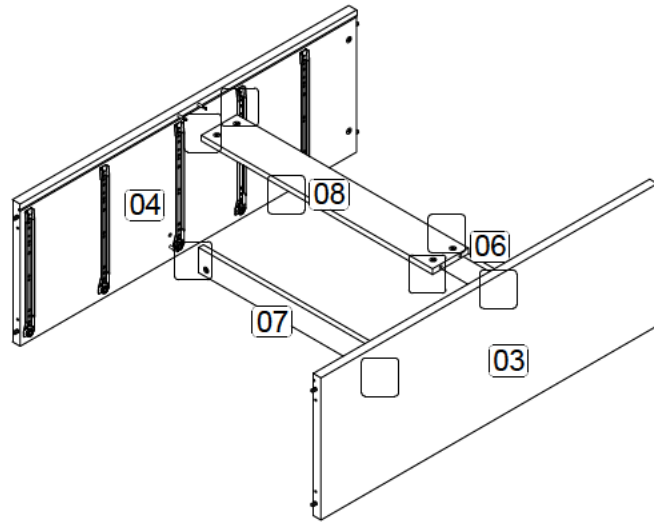
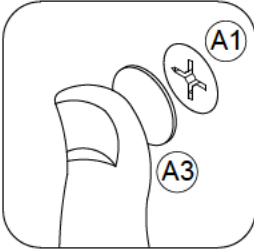
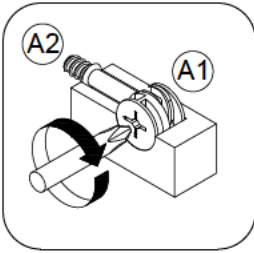
**** You will need a small mallet and a screwdriver for assembly.**

**** Some screws and wooden dowel may remain.**

**** Note : To secure the item to the wall, hardware G (2 pcs) and L (2 pcs) are not provided.**

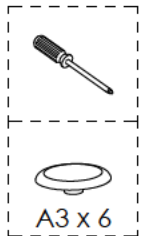
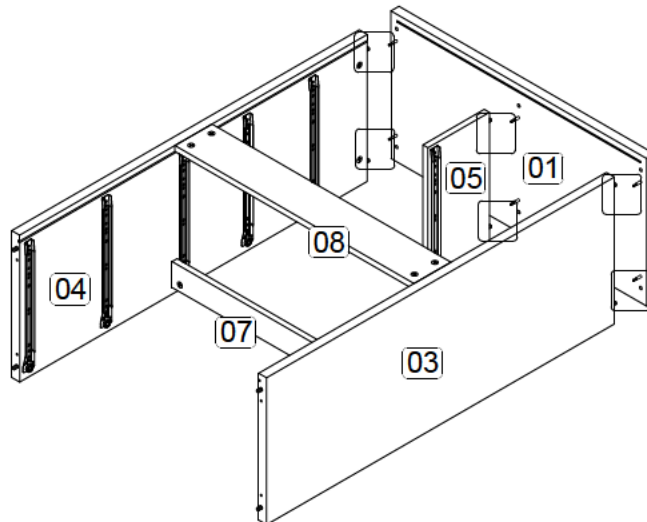
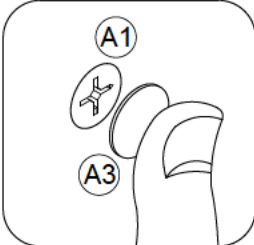
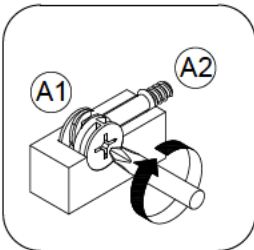
Step 2: Attach panel (6), (7) and (8) to panel (3) and (4) using hardware A1 and A2 with a screwdriver (not provided).

DO NOT use any power tools as this may damage the frame and will invalidate any claim.



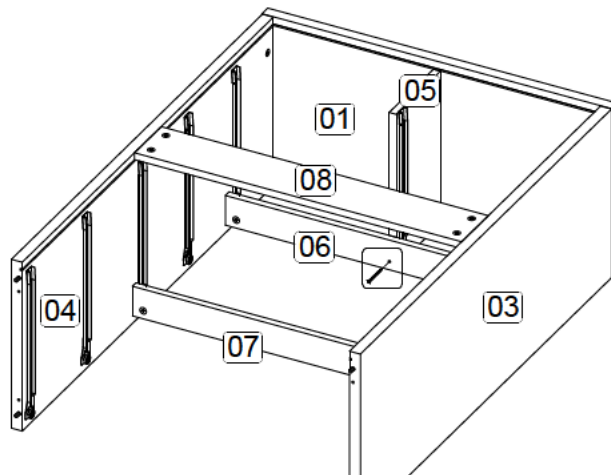
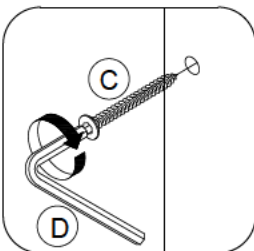
Step 3: Attach panel (3), (4) and (5) to panel (1) using hardware A1 and A2 with a screwdriver (not provided).

DO NOT use any power tools as this may damage the frame and will invalidate any claim.



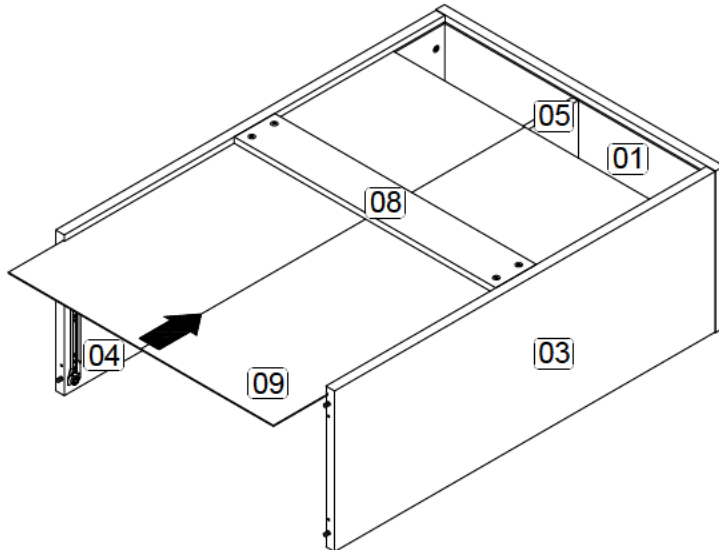
Step 4: Attach panel (6) to panel (5) using hardware C and D.

DO NOT use any power tools as this may damage the frame and will invalidate any claim.



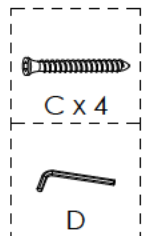
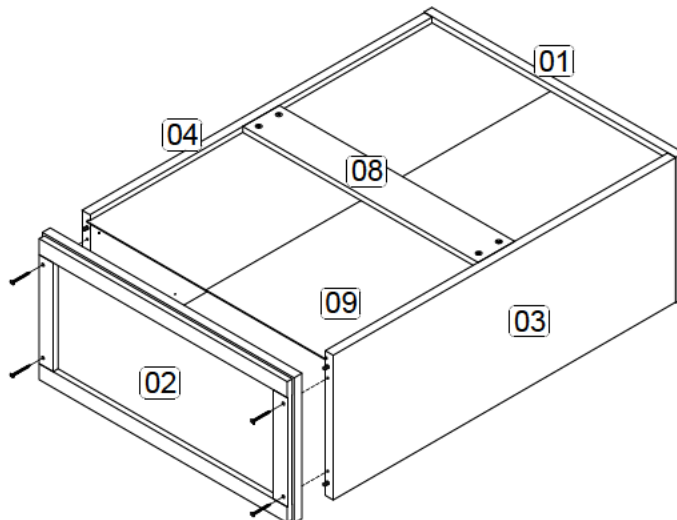
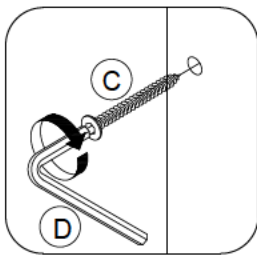
Step 5: Insert panel (9) along the slot.

DO NOT use any power tools as this may damage the frame and will invalidate any claim.



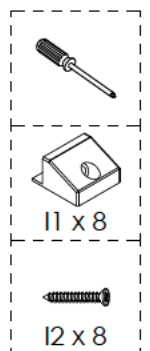
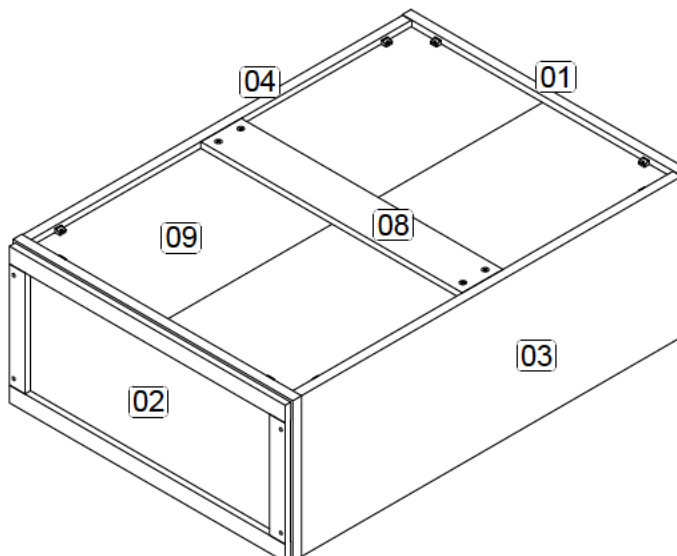
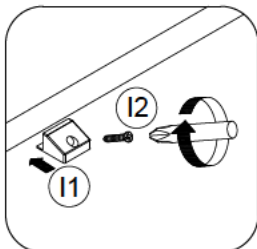
Step 6: Attach panel (2) to panel (3) and (4) using hardware C and D.

DO NOT use any power tools as this may damage the frame and will invalidate any claim.



Step 7: Attach hardware I1 into panel (1), (2), (3) and (4) using hardware I2 with a screwdriver (not provided).

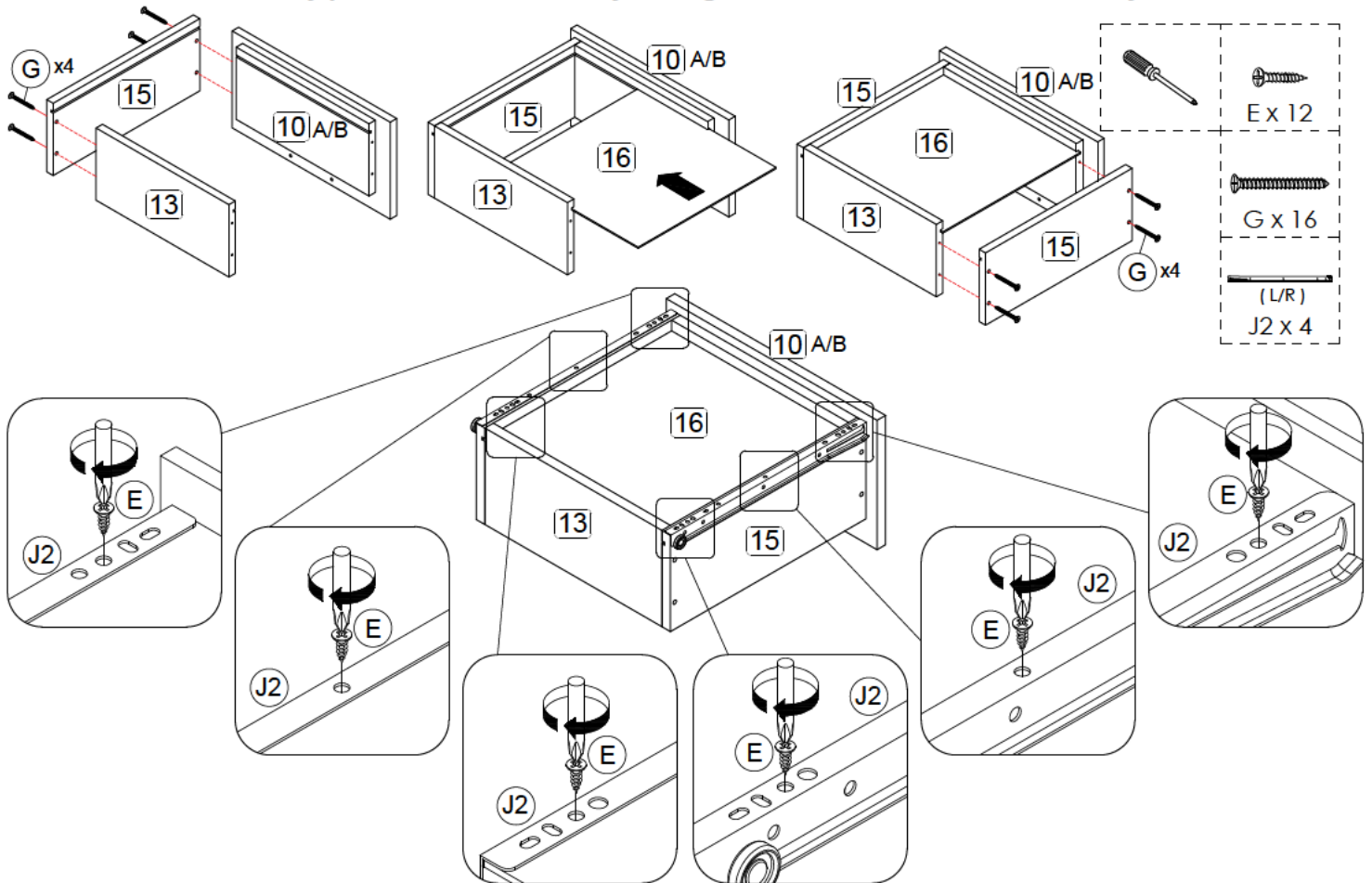
DO NOT use any power tools as this may damage the frame and will invalidate any claim.



Step 8: Assemble the drawer components using hardware E, G and J2.

In this step only show one of the drawers.

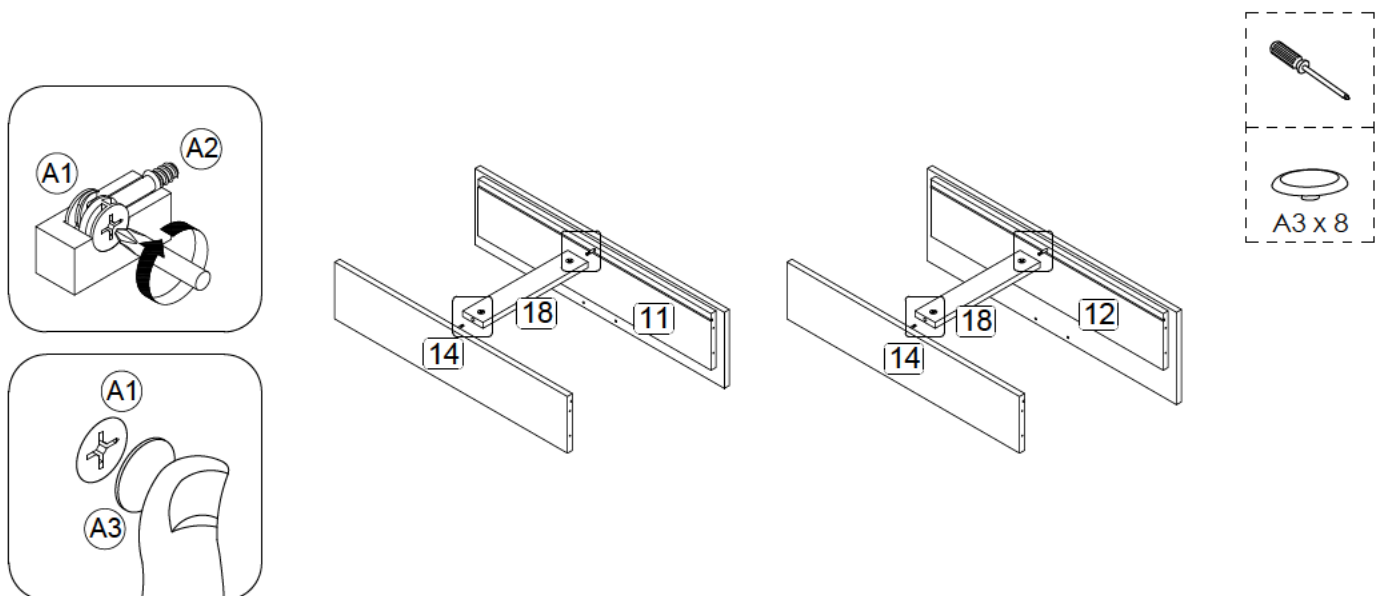
DO NOT use any power tools as this may damage the frame and will invalidate any claim.



Step 9: Attach panel (18) to panel (11) and (14) and another panel (18) to panel (12) and (14) using hardware A1 and A2 with a screwdriver (not provided).

In this step only show one of the drawers.

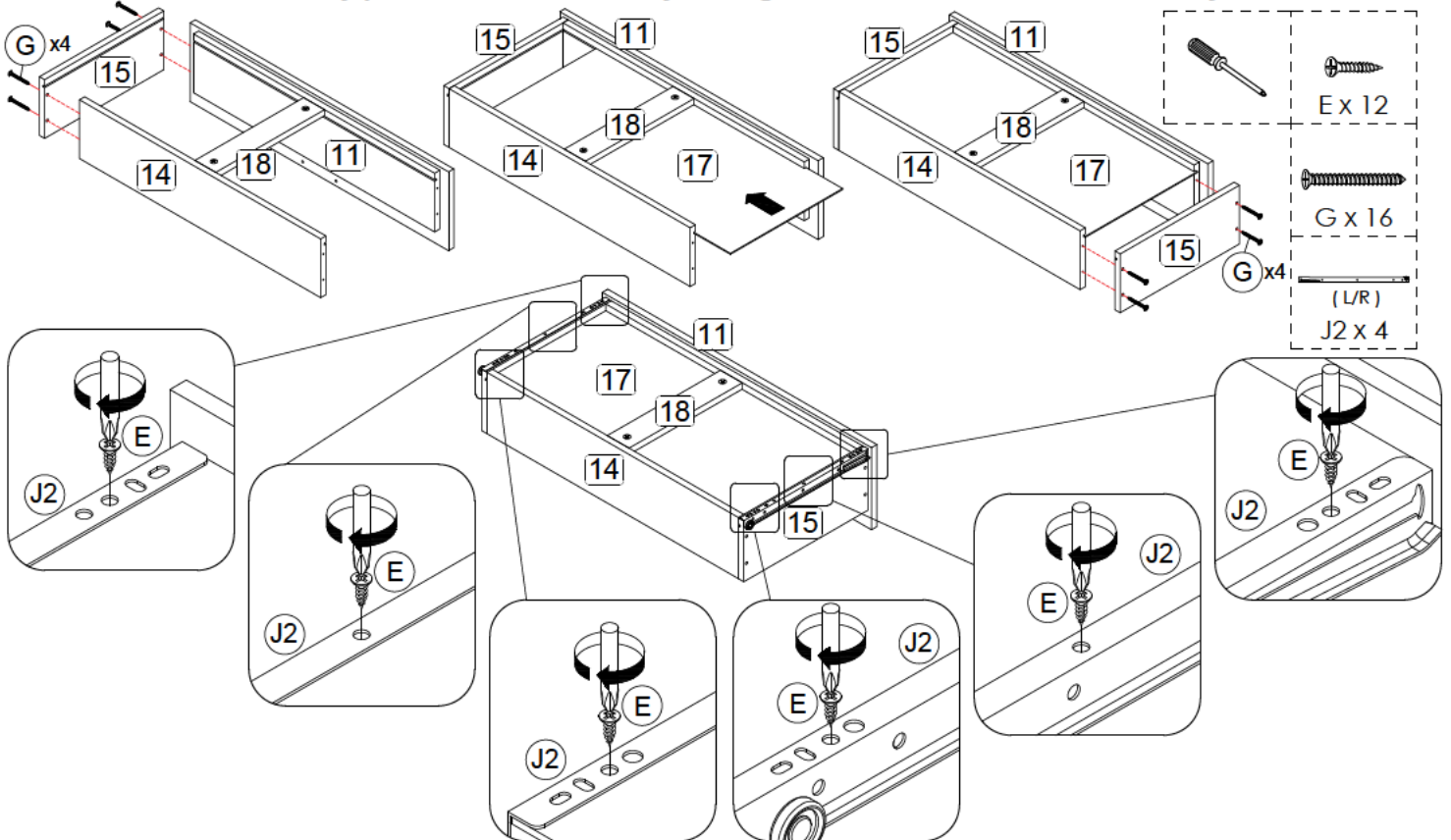
DO NOT use any power tools as this may damage the frame and will invalidate any claim.



Step 10: Assemble the drawer components using hardware E, G and J2.

In this step only show one of the drawers.

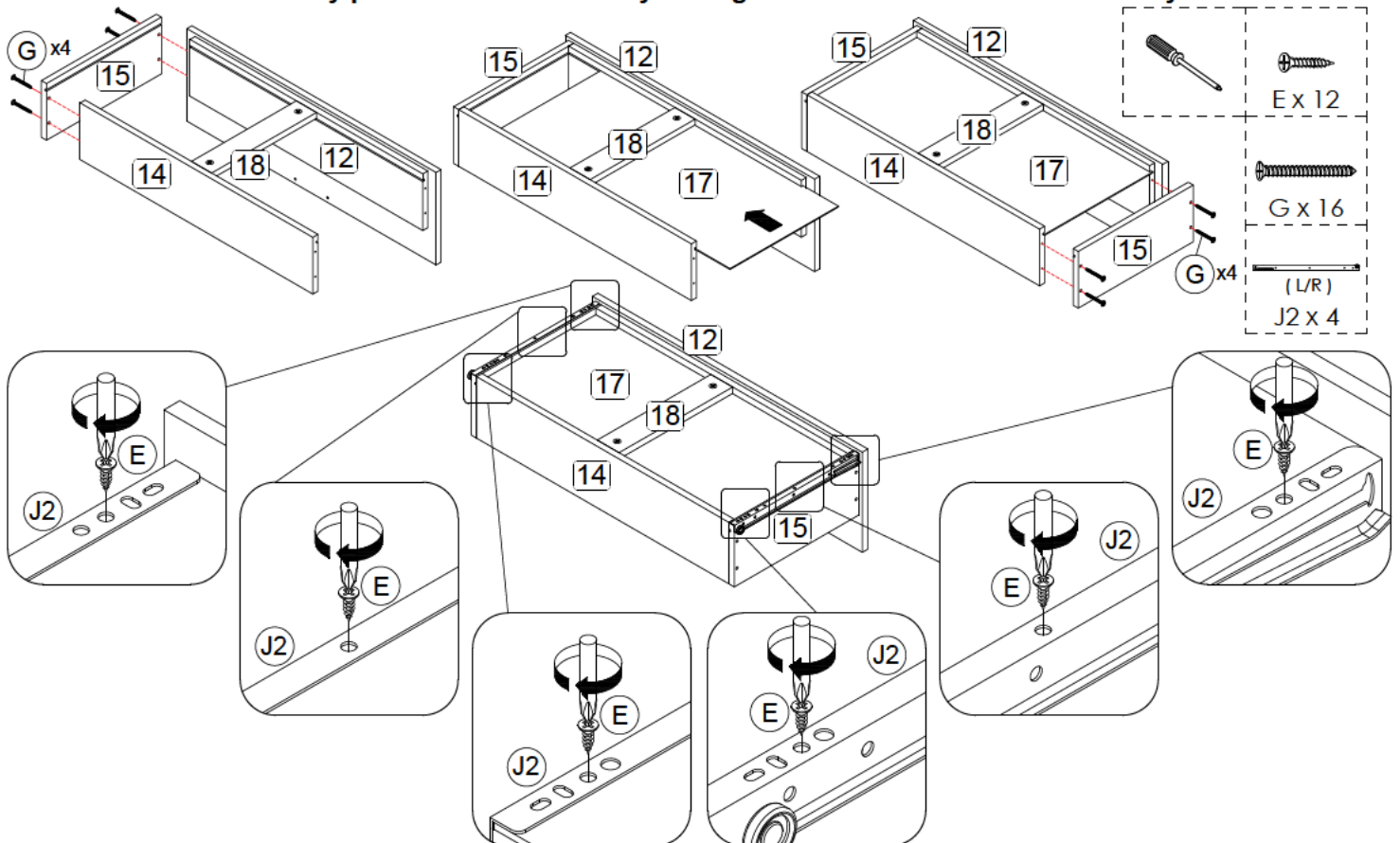
DO NOT use any power tools as this may damage the frame and will invalidate any claim.



Step 11: Assemble the drawer components using hardware E, G and J2.

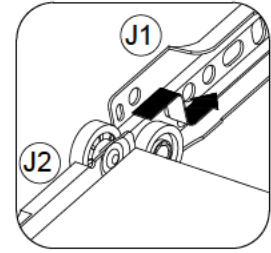
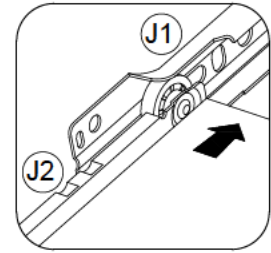
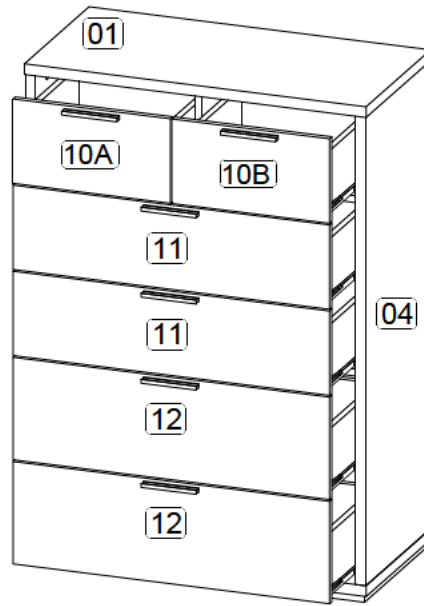
In this step only show one of the drawers.

DO NOT use any power tools as this may damage the frame and will invalidate any claim.



Step 12: Assemble the drawer in place along the drawer slides.

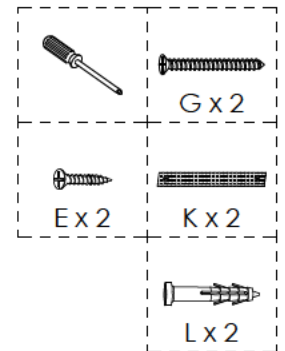
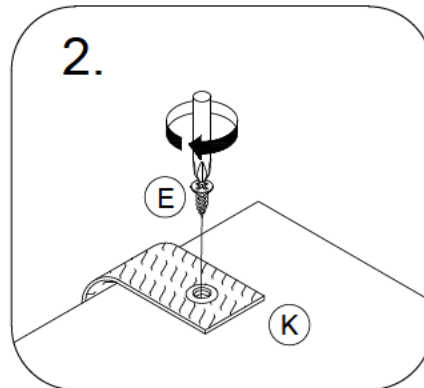
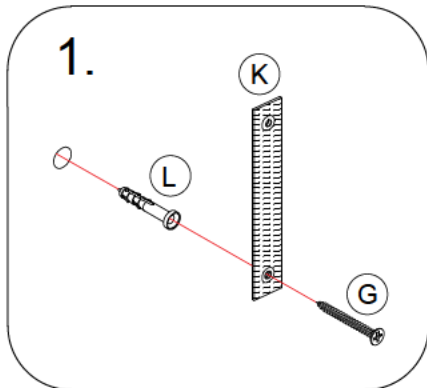
DO NOT use any power tools as this may damage the frame and will invalidate any claim.



Step 13: To secure the item to the wall use hardware G, K and L using a screwdriver (not provided).

Then attach hardware part K to the panel (1) using hardware E with a screwdriver (not provided).

DO NOT use any power tools as this may damage the frame and will invalidate any claim.



PLEASE NOTE that wall fixings are not supplied as different wall materials require different fixing devices. You must use fixings devices suitable for the type of wall you intend to mount product to. Ensure the head of any screw used has a diameter greater than the mounting hole and the fixing is safe and secure before use.