

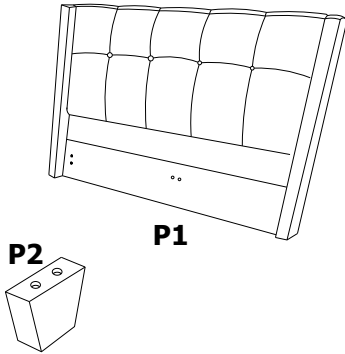
GENEVA STORAGE BED FULL/QUEEN SIZE ASSEMBLY INSTRUCTIONS



PARTS AND FITTING PACKAGING DETAIL

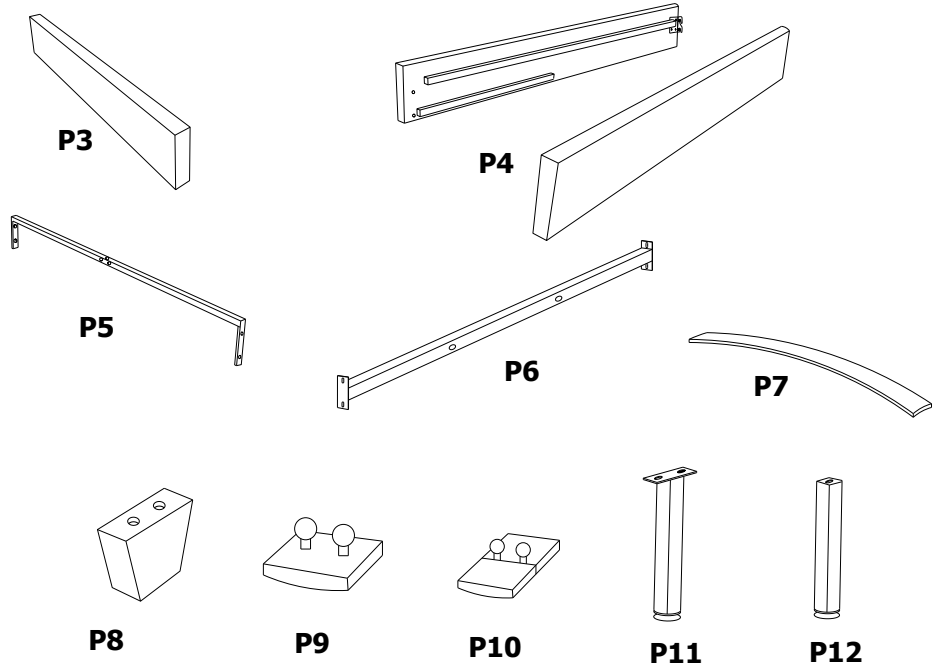
BOX #1

- P1. HEADBOARD 1 PC
- P2. WOODEN LEG 2 PCS



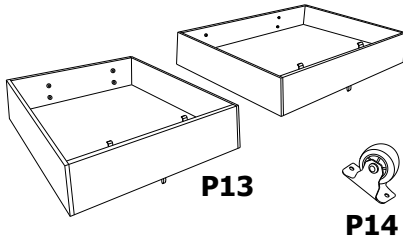
BOX #2

- P3. FOOTBOARD 1 PC
- P4. SIDE RAIL 2 PCS
- P5. METAL SUPPORT BRACE 1 PC
- P6. CENTER SLAT SUPPORT 1 PC
- P7. SLAT 26 PCS
- P8. WOODEN LEG 2 PCS
- P9. SIDE RAIL SLAT CLIP 26 PCS
- P10. CENTER SUPPORT SLAT CLIP 13 PCS
- P11. CENTER SUPPORT LEG 2 PCS
- P12. METAL SUPPORT LEG 1 PC

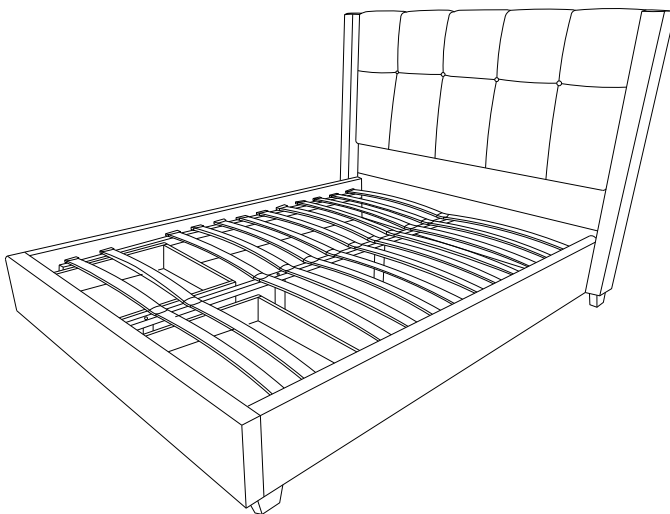


BOX #3

- P13. DRAWER BOX 2 PCS
- P14. CASTERS 6 PCS



GENEVA STORAGE BED ASSEMBLED



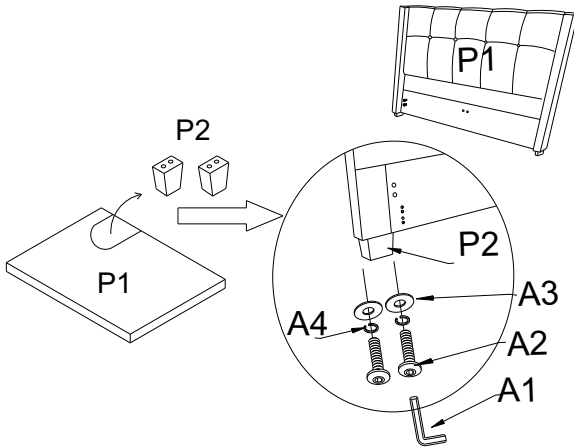
HARDWARE* PACKED IN BOX #1											
A1	ALLEN KEY 5/16"	1 PC	A2	BOLT 5/16"*3.25"	4 PCS	A3	FLAT WASHER 4 PCS	A4	LOCK WASHER 4 PCS		
A5	ALLEN KEY 1/4"	1 PC	A6	BOLT 1/4"*1"	8 PCS	A7	FLAT WASHER 8 PCS	A8	LOCK WASHER 8 PCS		
HARDWARE* PACKED IN BOX #2											
B1	ALLEN KEY 5/16"	1 PC	B2	SPANNER 5/16"	1 PC	B3	BOLT 5/16"*1"	6 PCS	B4	BOLT 5/16"*2.5"	7 PCS
B5	BOLT 5/16"*3.25"	2 PCS	B6	FLAT WASHER	21 PCS	B7	LOCK WASHER	15 PCS	B8	NUT 5/16"	6 PCS
HARDWARE* PACKED IN BOX #3											
C1	ALLEN KEY 1/4"	1 PC	C2	BOLT 1/4"*1.25"	8 PCS	C3	FLAT WASHER	8 PCS	C4	LOCK WASHER	8 PCS
C5	ALLEN BOLT 1/4"*0.62"	12 PCS									

UPDATED : NOVEMBER 17TH, 2022



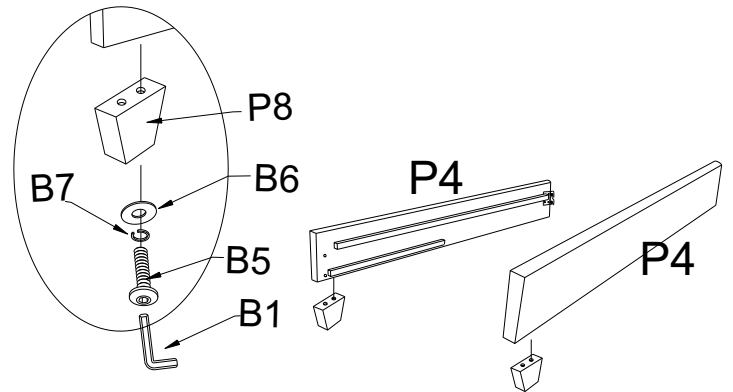
STEP 1:

REMOVE WOODEN LEGS (P2) FROM BACK OF HEADBOARD. ATTACH TO BOTTOM OF HEADBOARD (P1) FOLLOWING ILLUSTRATION.



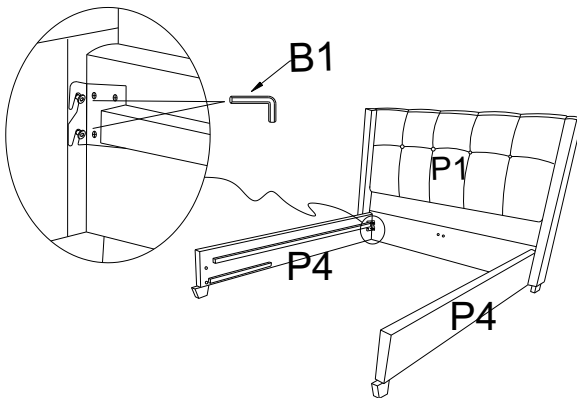
STEP 2:

ATTACH WOODEN LEGS (P8) TO THE BOTTOM OF THE SIDE RAILS (P4) FOLLOWING ILLUSTRATION.



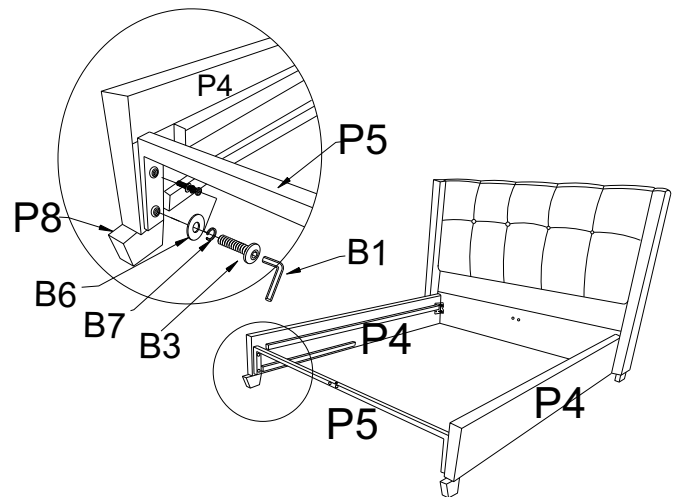
STEP 3 :

LOOSEN THE PREATTACHED BOLTS ON THE HEADBOARD AND CONNECT THE SIDE RAILS. TIGHTEN THE BOLTS WITH ALLEN KEY (B1).



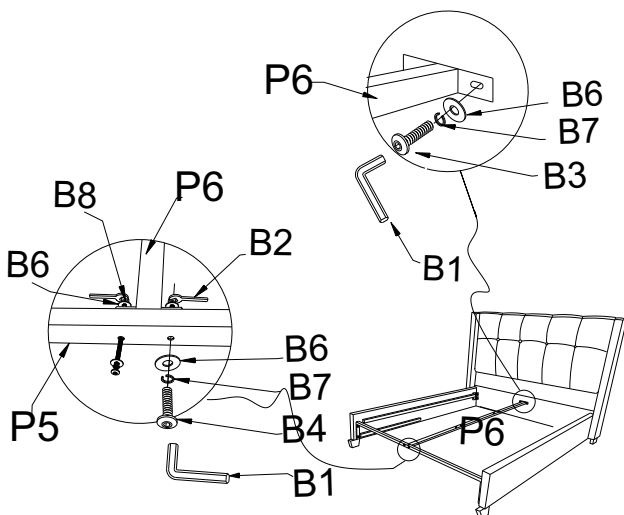
STEP 4 :

ATTACH METAL SUPPORT BRACE (P5) TO THE SIDE RAILS FOLLOWING ILLUSTRATION. TIGHTEN WITH ALLEN KEY.



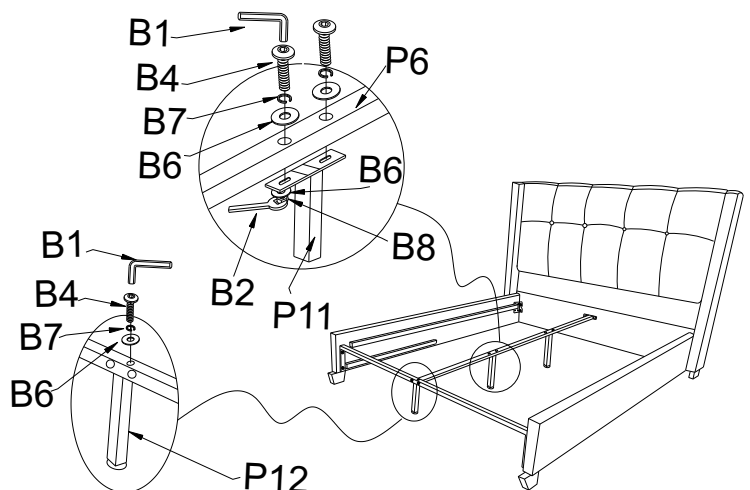
STEP 5 :

CONNECT CENTER SLAT SUPPORTS (P6) TO HEADBOARD AND METAL SUPPORT BRACE FOLLOWING ILLUSTRATION.



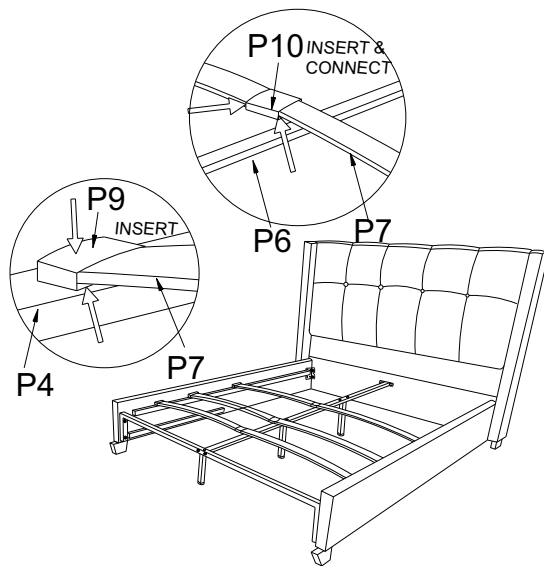
STEP 6 :

FOLLOWING ILLUSTRATION. ATTACH CENTER SUPPORT LEGS (P11) TO CENTER SLAT SUPPORT. ATTACH METAL SUPPORT LEG (P12) TO METAL SUPPORT BRACE.



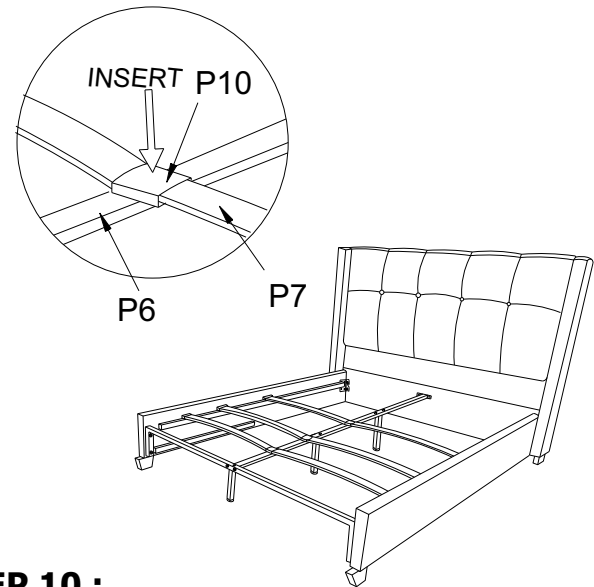
STEP 7 :

ATTACH SIDE RAIL SLAT CLIPS (P9) TO SIDE RAIL. INSERT SLATS (P7) INTO SIDE RAIL CLIPS THEN CONNECT THE SLAT SECTIONS WITH CENTER SUPPORT SLAT CLIPS (P10).

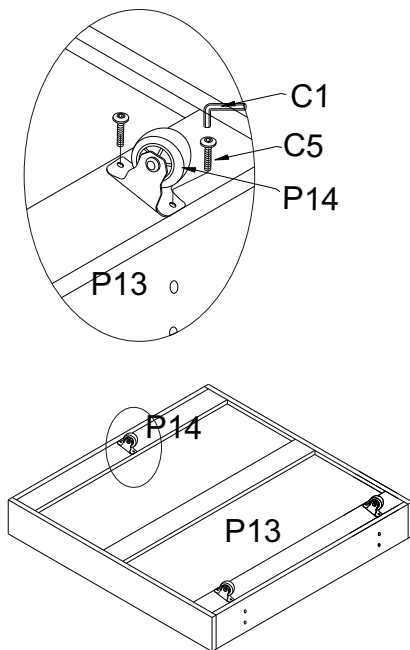


STEP 8 :

ATTACH CENTER SUPPORT CLIPS, WITH SLATS INSERTED, INTO CENTER SLAT SUPPORTS.

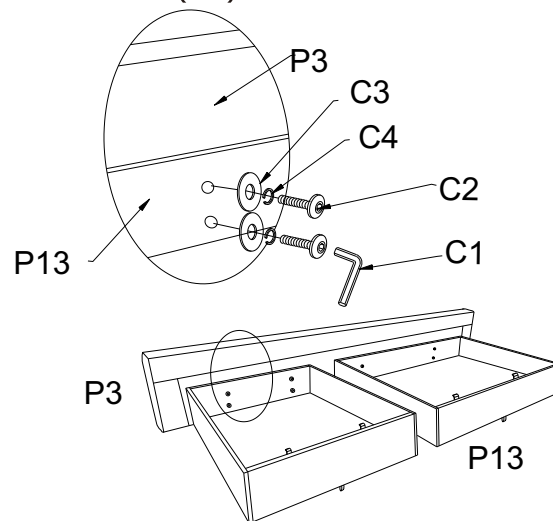


STEP 9 :



STEP 10 :

ATTACH DRAWER BOXES (P13) TO FOOTBOARD (P3). DRAWER BOXES ARE INTERCHANGEABLE AND CAN BE ATTACHED TO EITHER LEFT OR RIGHT SIDE OF FOOTBOARD. TIGHTEN BOLTS WITH ALLEN KEY (C1).

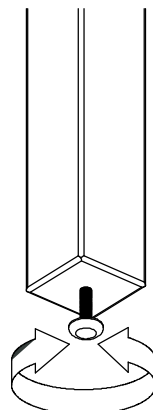


INSTRUCTIONS FOR ADJUSTING LEVELERS :

POSITION THE BED IN YOUR ROOM. LOCATE LEVELERS UNDER EACH SUPPORT LEG (P11/P12).

TURN COUNTER-CLOCKWISE TO EXTEND, CLOCKWISE TO RETRACT.

ADJUST LEVELERS UNTIL EACH LEG SUPPORT IS APPLYING EQUAL UPWARD PRESSURE ON THE CENTER SLAT.



MAINTENANCE INSTRUCTIONS :

- REMOVE BOX SPRING AND MATTRESS BEFORE MOVING YOUR BED.
- LIFT YOUR BED WHEN MOVING IT. DRAGGING CAN DAMAGE CENTER SUPPORT.
- READJUST LEVELERS AFTER MOVING YOUR BED.

STEP 11 :

INSERT ASSEMBLED STORAGE DRAWER INTO FOOT OF BED.

