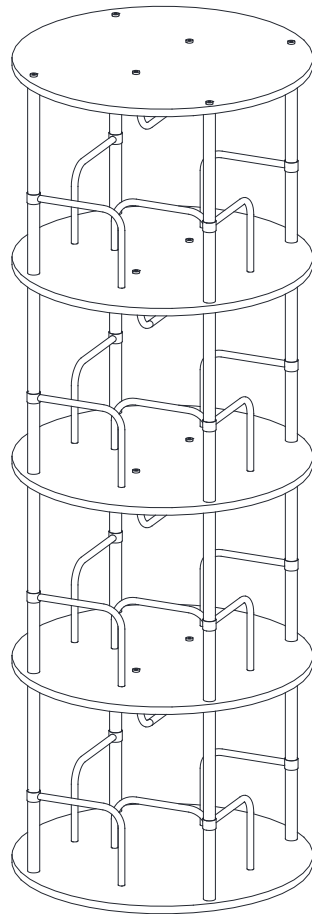


4 Tier Rotating Bookshelf Instruction Manual

Note: There is also a more detailed installation video on the product detail page on website.



If you have any installation issues, contact us anytime via the following methods:

Website: flycitymall.com

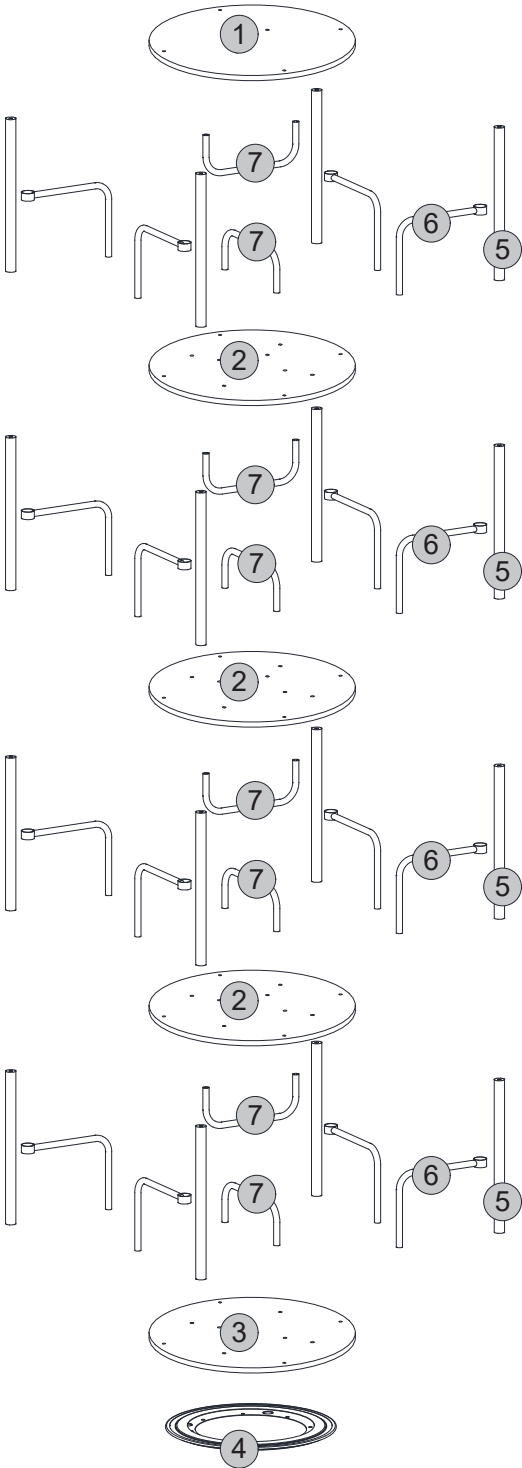
Email: contact@flycitymall.com

Facebook: [@flycitymall](https://www.facebook.com/flycitymall)

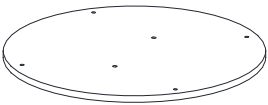
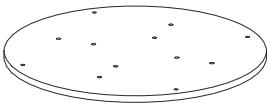
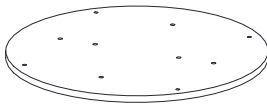


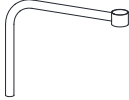

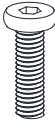



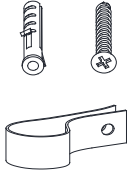
Instagram: [@flycitymall](https://www.instagram.com/flycitymall)

YouTube: [@flycitymall](https://www.youtube.com/flycitymall)

Parts List(EN)



Parts List(EN)

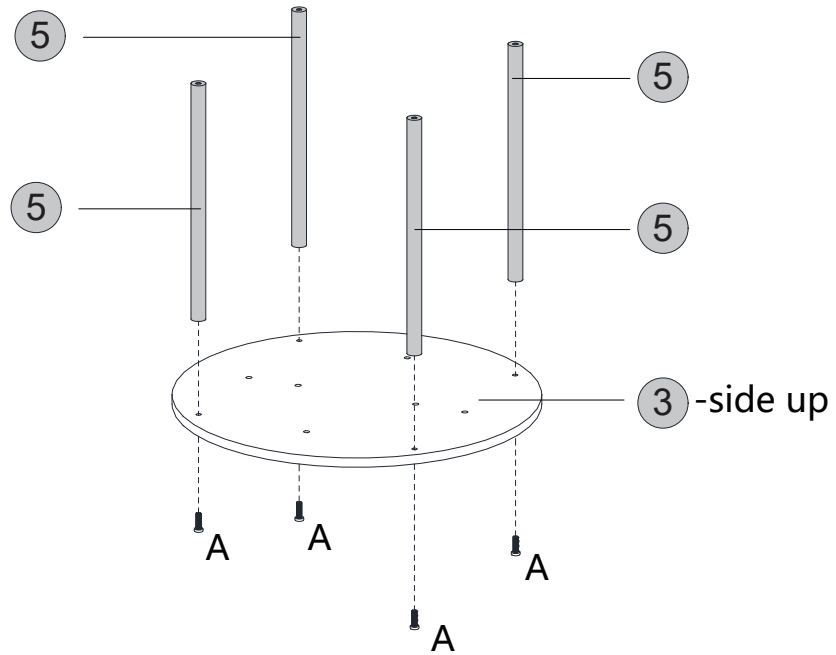
1  1 PC	2  3 PCS	3  1 PC
4  1 PC	5  16 PCS	6  16 PCS
7  8 PCS	A  <div style="text-align: right; margin-top: 10px;">40+1 PCS</div>	B  <div style="text-align: right; margin-top: 10px;">4+1 PCS</div>
C  <div style="text-align: right; margin-top: 10px;">12+1 PCS</div>	D  <div style="text-align: right; margin-top: 10px;">1 PC</div>	E  <div style="text-align: right; margin-top: 10px;">1 PC</div>

Please read the following instructions carefully:

We offer customers a free lifetime warranty. If you need help regarding product issues, after-sales service or other relevant problems, please contact us via the email on the cover.

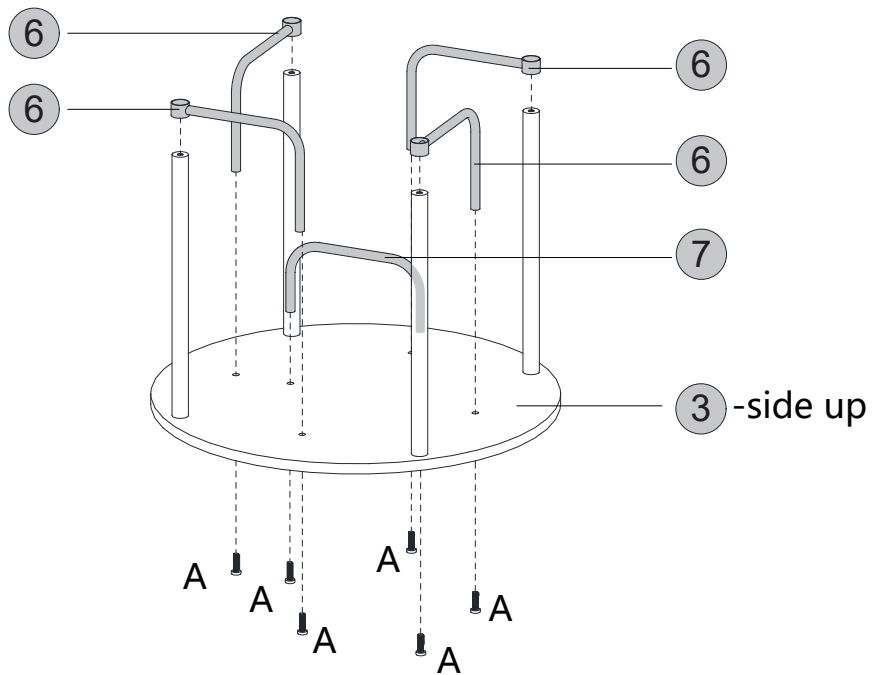
Assembly Steps(EN)

STEP 1



A x 4PCS

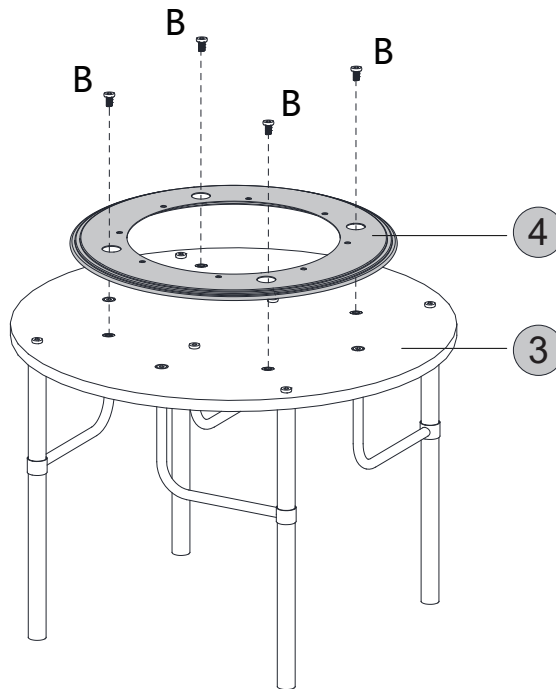
STEP 2



A x 6PCS

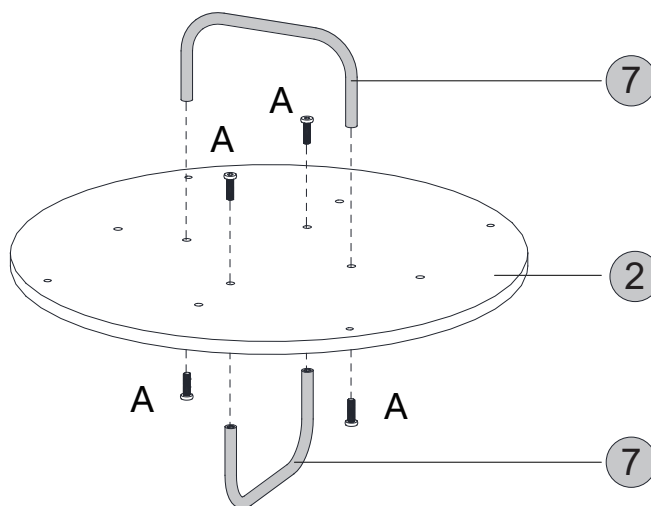
Assembly Steps(EN)

STEP 3



B x 4PCS

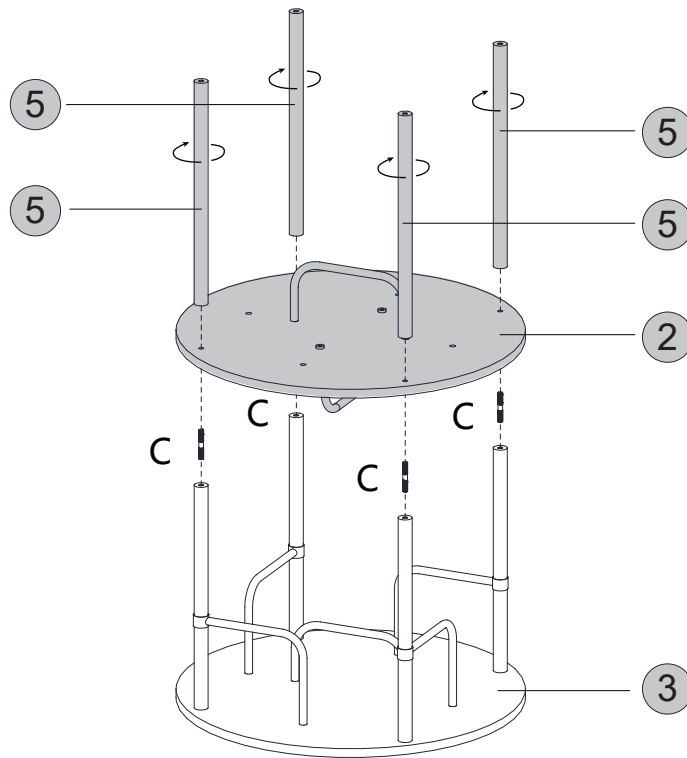
STEP 4



A x 4PCS

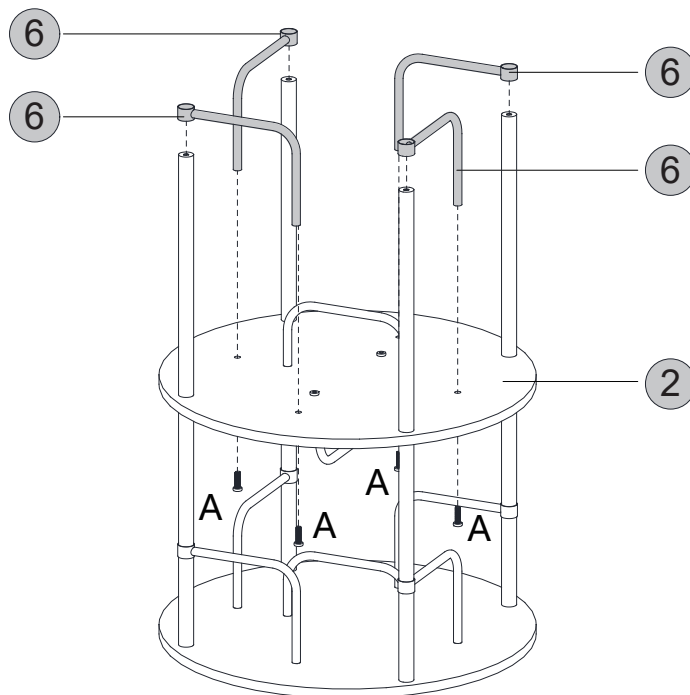
Assembly Steps(EN)

STEP 5



C x 4PCS

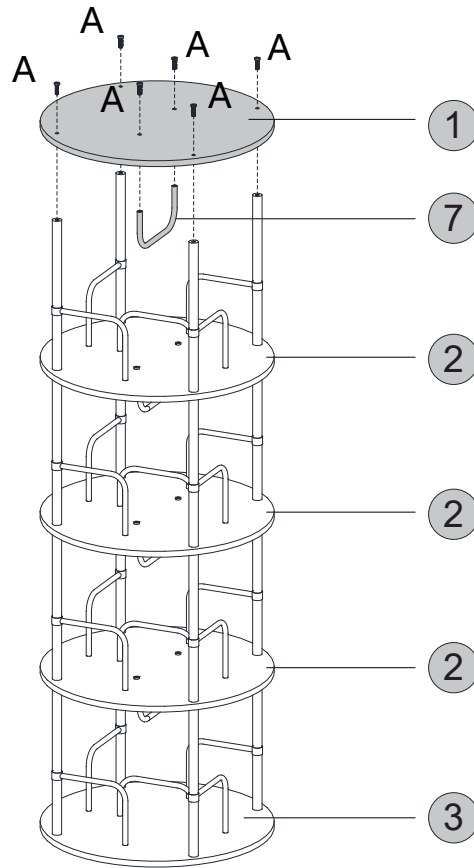
STEP 6



A x 4PCS

Assembly Steps(EN)

STEP 7

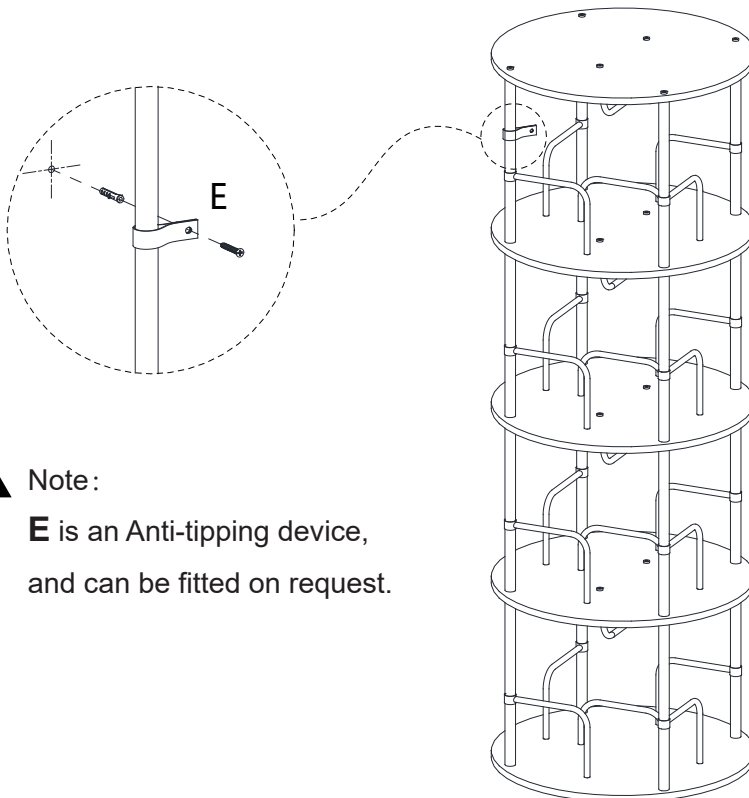


Repeat steps 4, 5 and 6 to install the remaining 2 panel (2), and finally install the top panel (1).



A x 6PCS

STEP 8



Note:

E is an Anti-tipping device, and can be fitted on request.

Finish



E x 1PC

Made in China

