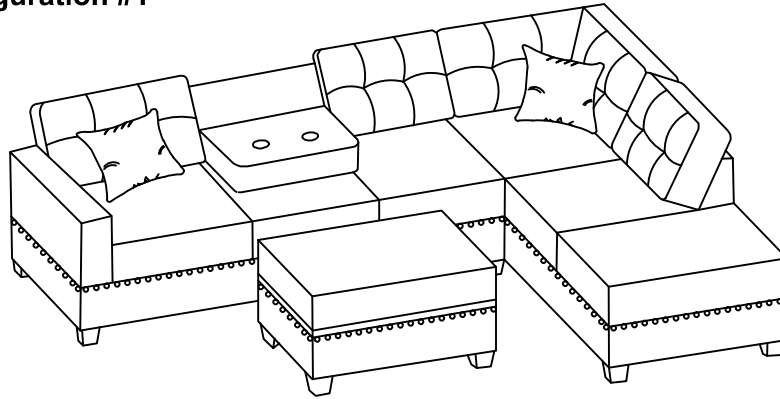


ASSEMBLY INSTRUCTION

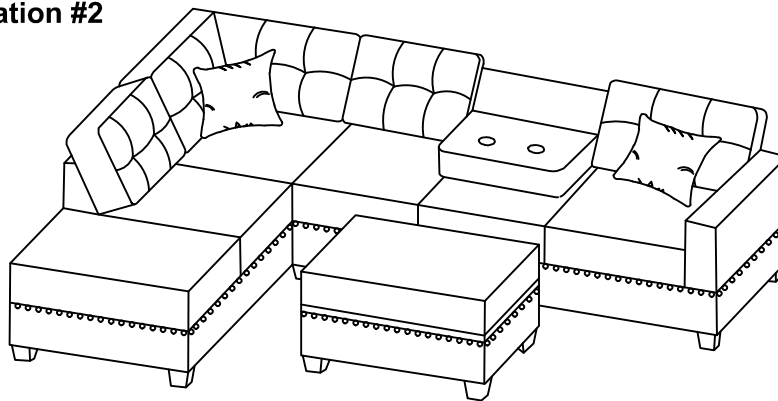
ITEM NO.: WF296631 - SOFA
 WF296629 - CHAISE
 WF296630 - OTTOMAN

Sectional can be assembled with right side facing chaise (configuration #1) or a left side facing chaise (configuration #2). See instructions below.

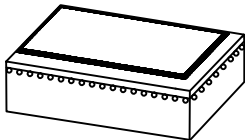
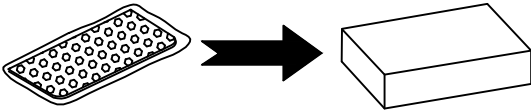
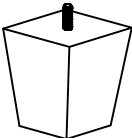
Configuration #1










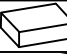














Configuration #2













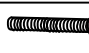
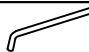


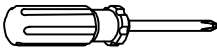
WF296630 - OTTOMAN COMPONENT LIST

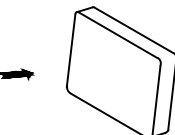
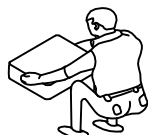
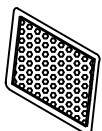
NO.	DRAWING	QTY	DESCRIPTION
X		1	STORAGE
Y		1	SEAT CUSHION
G		4	PLASTIC LEGS

WF296629 - CHAISE COMPONENT LIST

NO.	DRAWING	QTY	DESCRIPTION
A		1	CHAISE SEAT
B		1	CHAISE BACK REST
C		1	SOFA MIDDLE BACK CUSHION
D		1	CHAISE BACK REST
E1	 → 	1	CHAISE BACK REST
E2	 → 	1	MIDDLE SEAT CUSHION
E3	 → 	1	FRONT SEAT CUSHION
F1	 → 	1	FRONT BACK CUSHION
F2	 → 	1	MIDDLE BACK CUSHION
F3	 → 	1	REAR BACK CUSHION
F4		2	PILLOW
G		4	PLASTIC LEGS
H		5	PLAT WASHER Ø5/16' X 22MM
I		5	NUT Ø5/16" X 12MM
J		5	BOLT Ø5/16" X 50MM
T		1	ALLEN KEY

WF296631 - SOFA COMPONENT LIST

NO.	DRAWING	QTY	DESCRIPTION
M		1	SOFA SEAT
N		1	SOFA BACK REST
O		1	ARM
P	 → 	3	SOFA SEAT CUSHION
Q	 → 	2	SOFA BACK CUSHION
G		4	PLASTIC LEGS
H		5	PLAT WASHER Ø5/16' X 22MM
I		5	NUT Ø5/16" X 12MM
J		5	BOLT Ø5/16" X 50MM
L		2	METAL CONNECTOR L100MM
S		8	SCREW M4 X 35MM
T		1	ALLEN KEY
TOOLS REQUIRED (Not Provided)			SCREWDRIVER

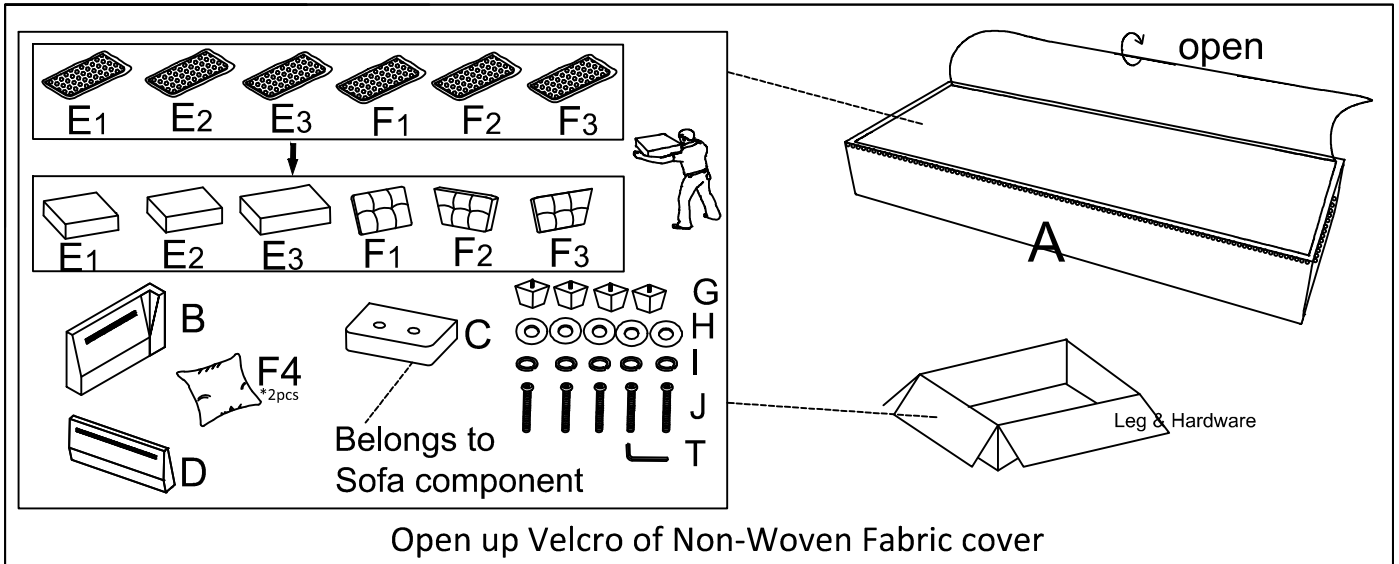


Please allow at least 24 hours for the cushions to recover to its natural state after removing from the package.

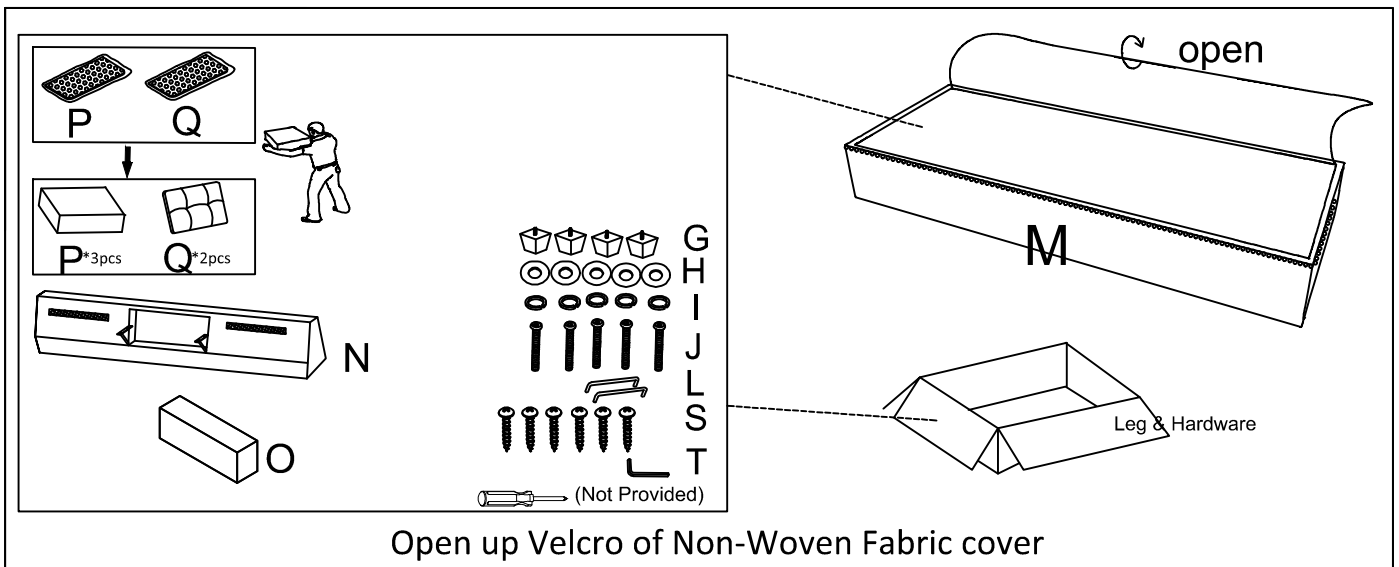
Apply moderate forces until complete after opening.

Please allow at least 24 hours for the cushions to recover to its natural state after removing from the package.

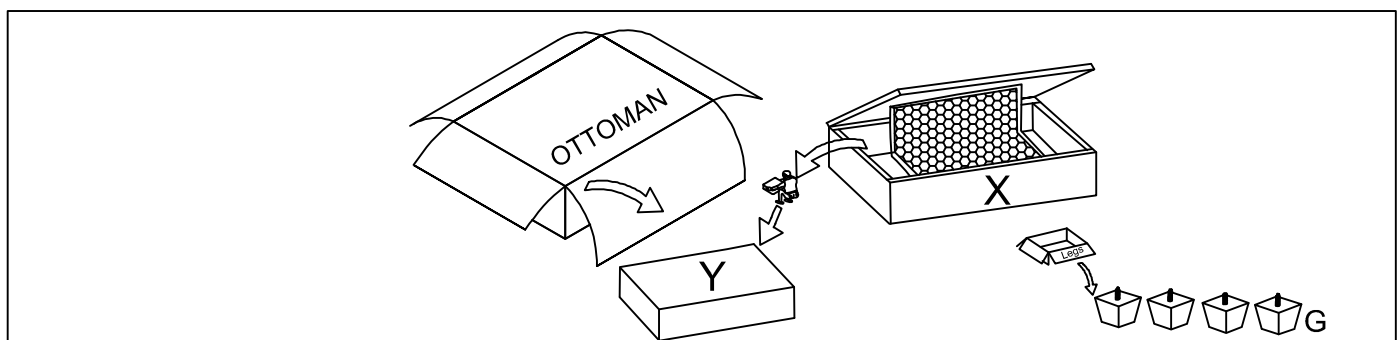
PARTS LIST OF WF296629-CHAISE BOX



PARTS LIST OF WF296631-SOFA BOX

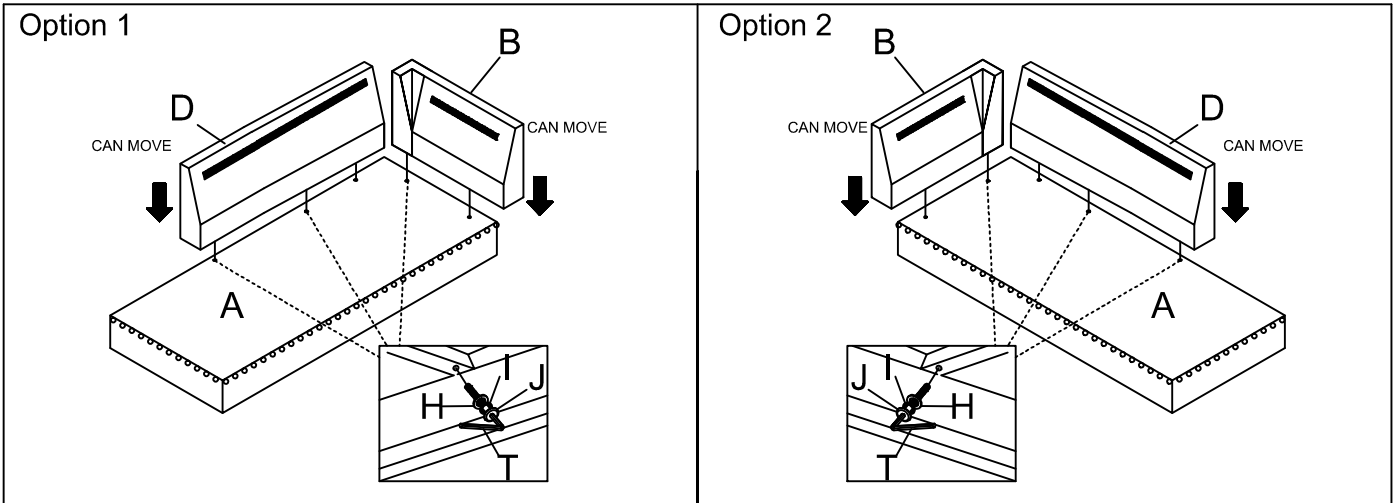


PARTS LIST OF WF296630-OTTOMAN BOX

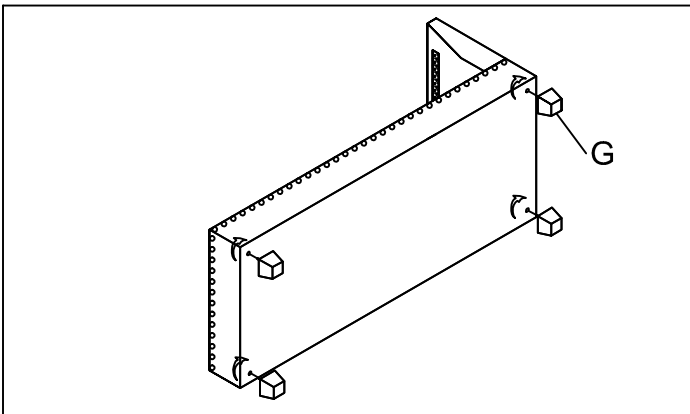


Please allow at least 24 hours for the cushions to recover to its natural state after removing from the package.

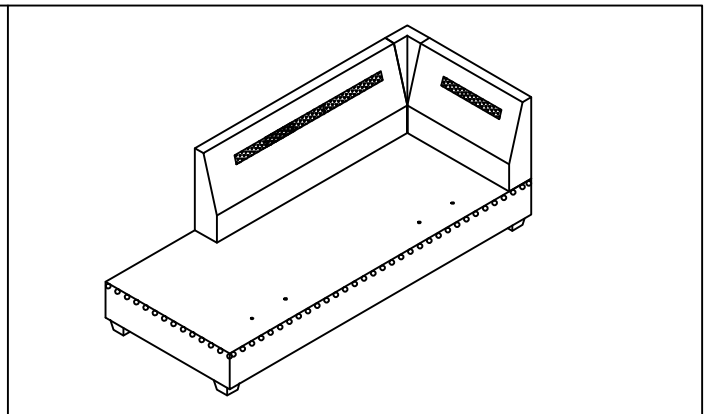
Step 1



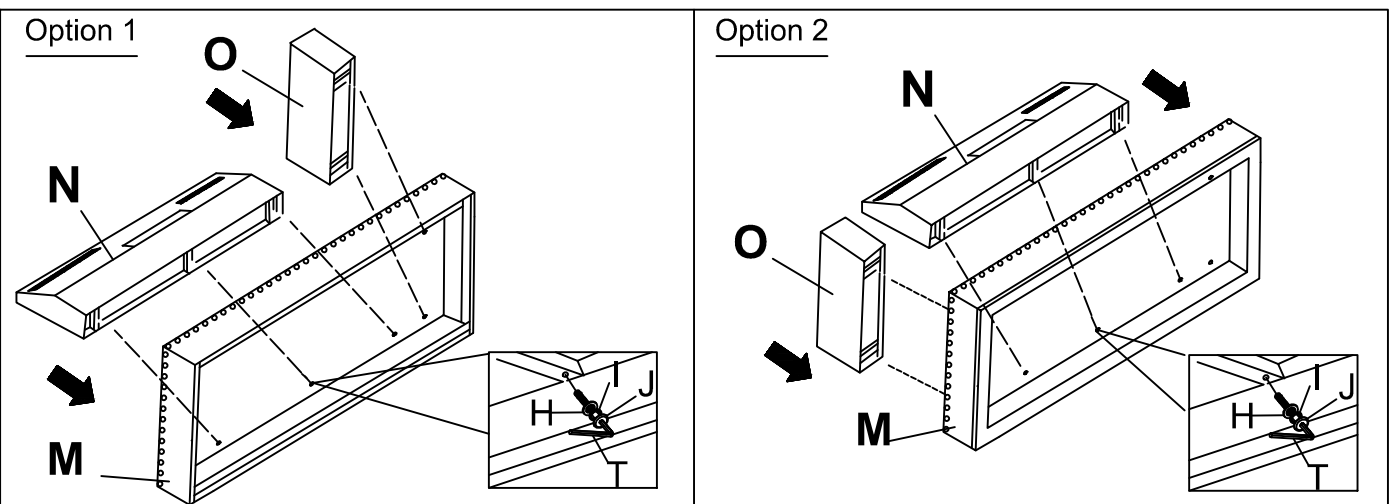
Step 2



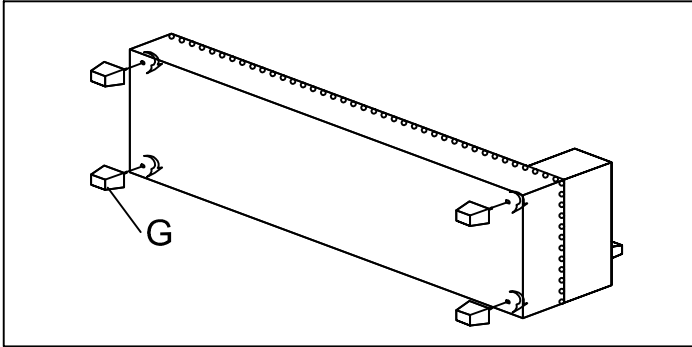
Step 3



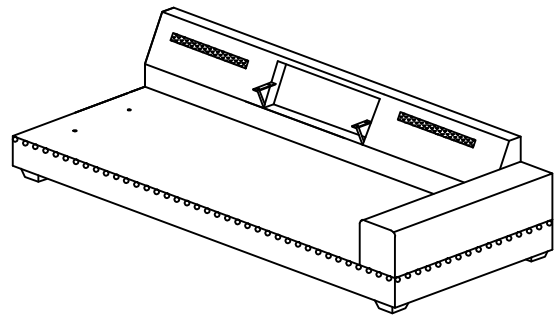
Step 4



Step 5

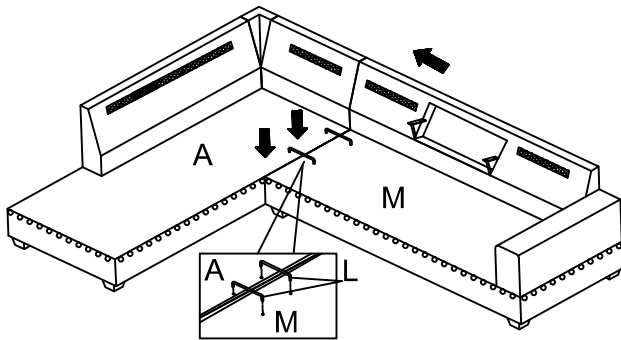


Step 6

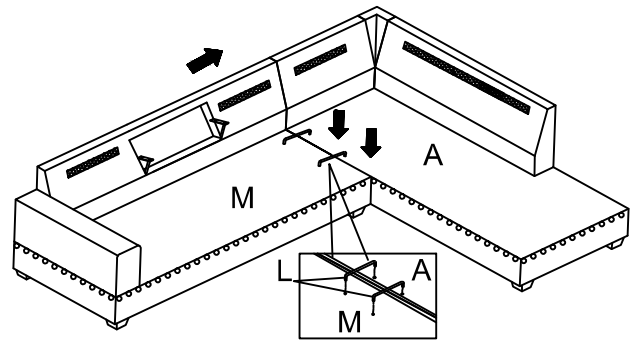


Step 7

Option 1

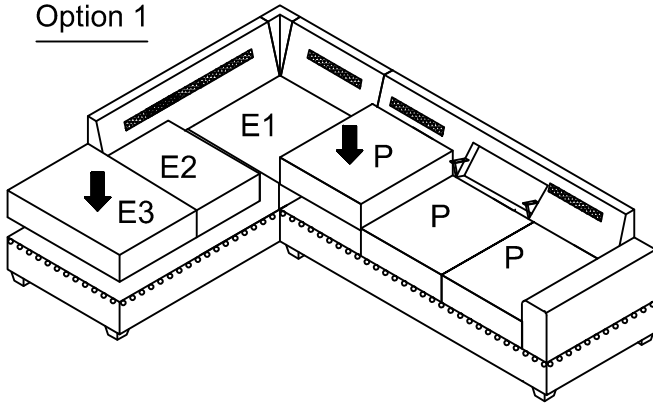


Option 2

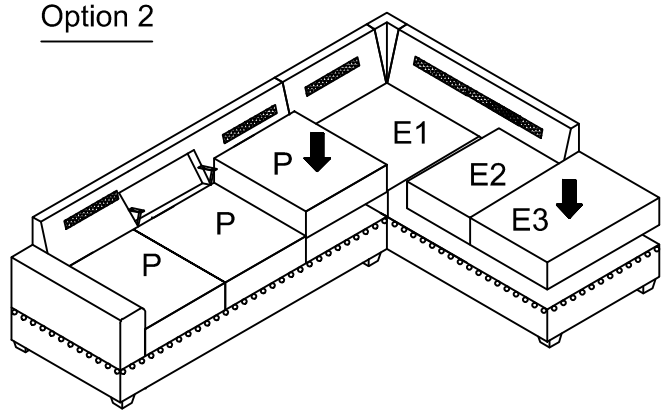


Step 8

Option 1

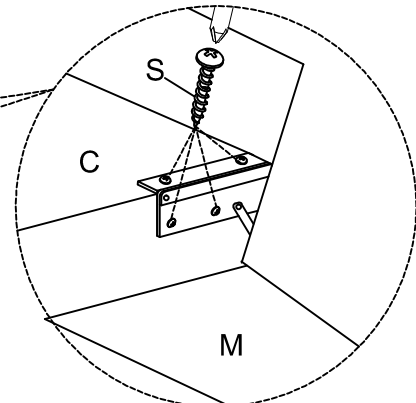
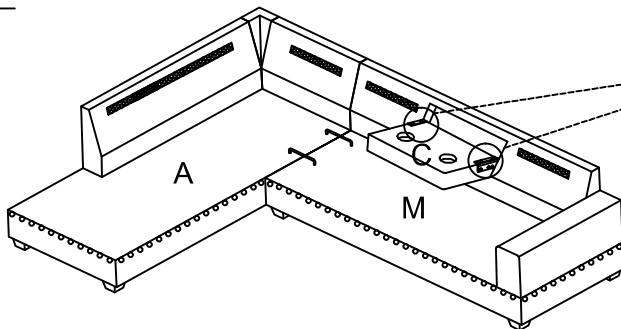


Option 2



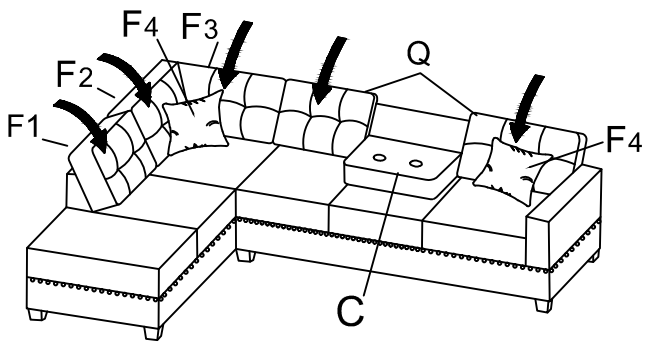
Step 9

Option 1

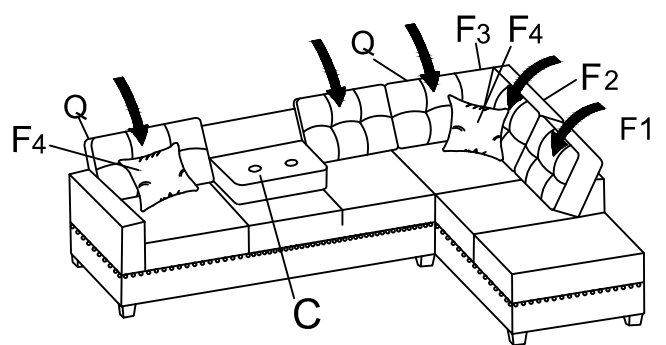


Step 10

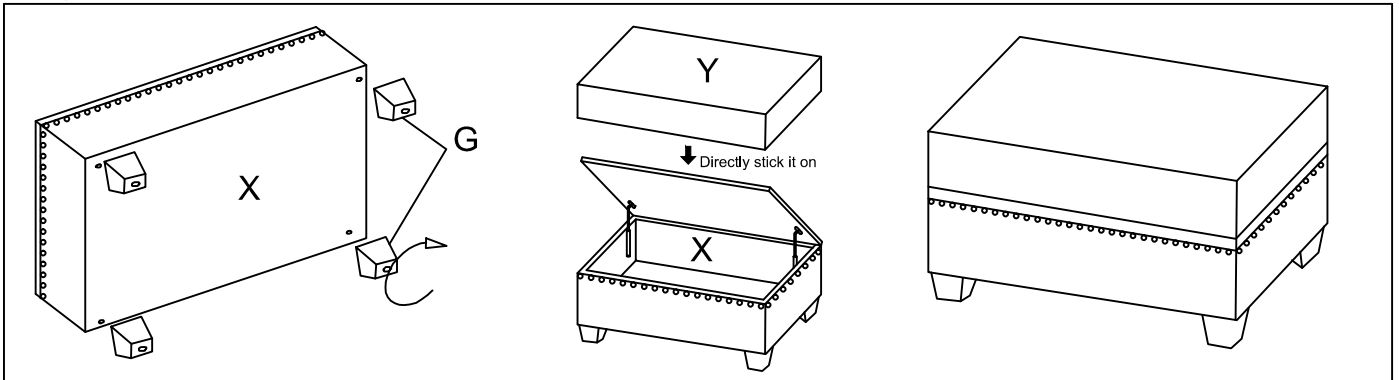
Option 1



Option 2

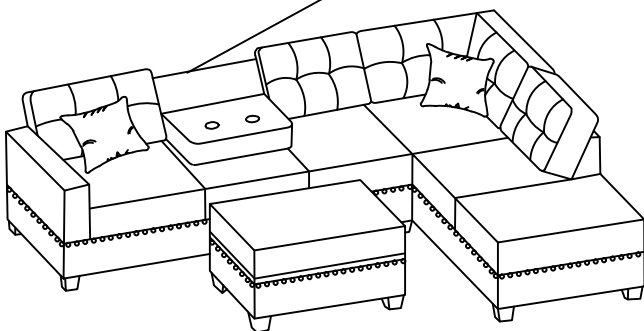


Step 11

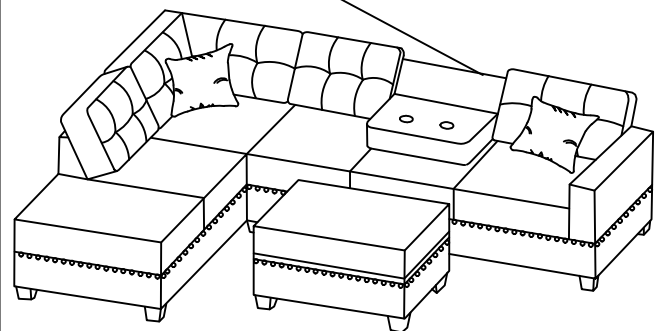


Assembly Completed!

THE CONSOLE PIECE CAN BE DROPPED DOWN AND TURN INTO AN ARMREST PANEL WITH CUP HOLDERS



CHAISE ON RIGHT



CHAISE ON LEFT