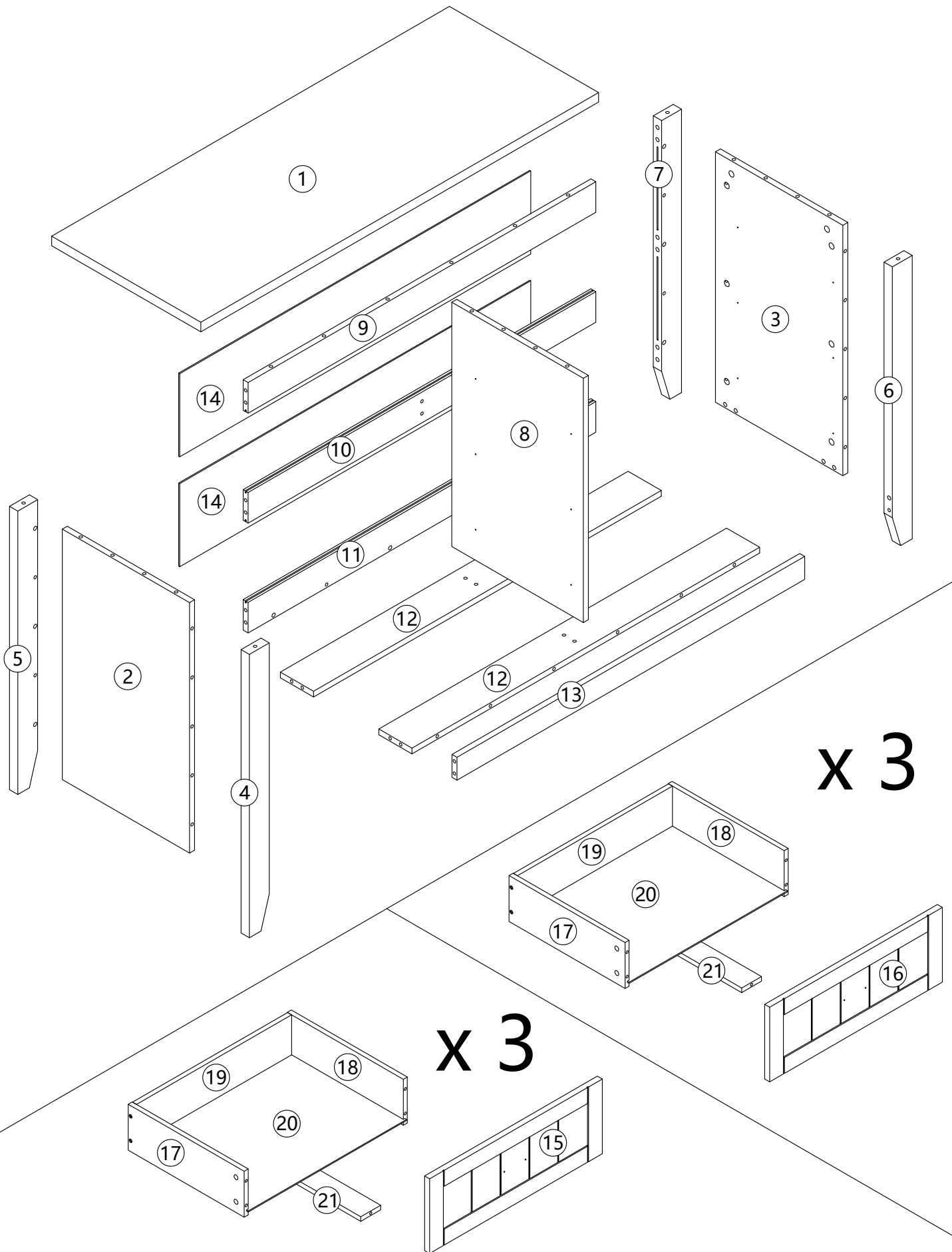
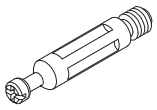


Parts List



Hardware

A x 52sets

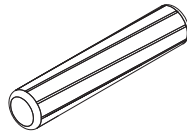


A1



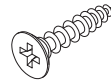
A2

B x 26pcs



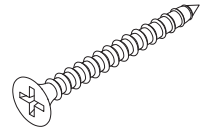
Φ8x40

C x 60pcs



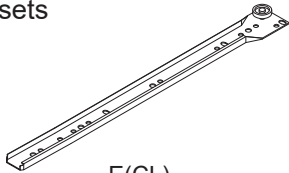
Φ3.5x14

D x 30pcs

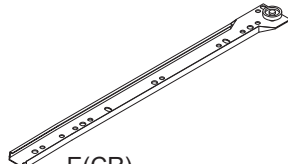


Φ3.5x35

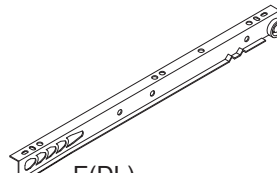
E x 6sets



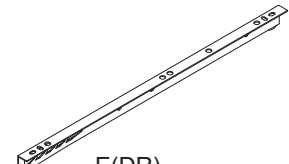
E(CL)



E(CR)



E(DL)



E(DR)

F x 6pcs



G x 30sets



G1



G2

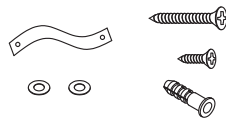
H x 12pcs



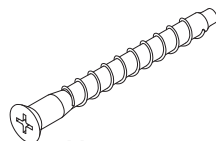
J x 5pcs



K x 2sets

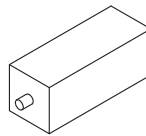


L x 6pcs

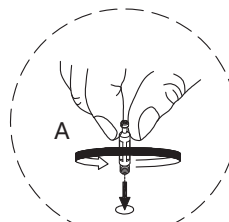
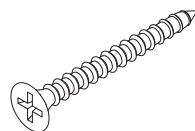
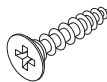
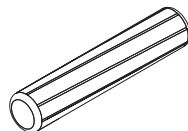
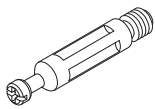


M7x50

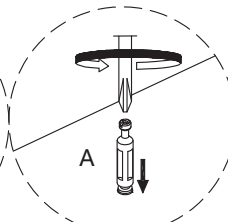
M x 1pc



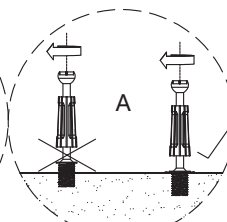
R



Step 1

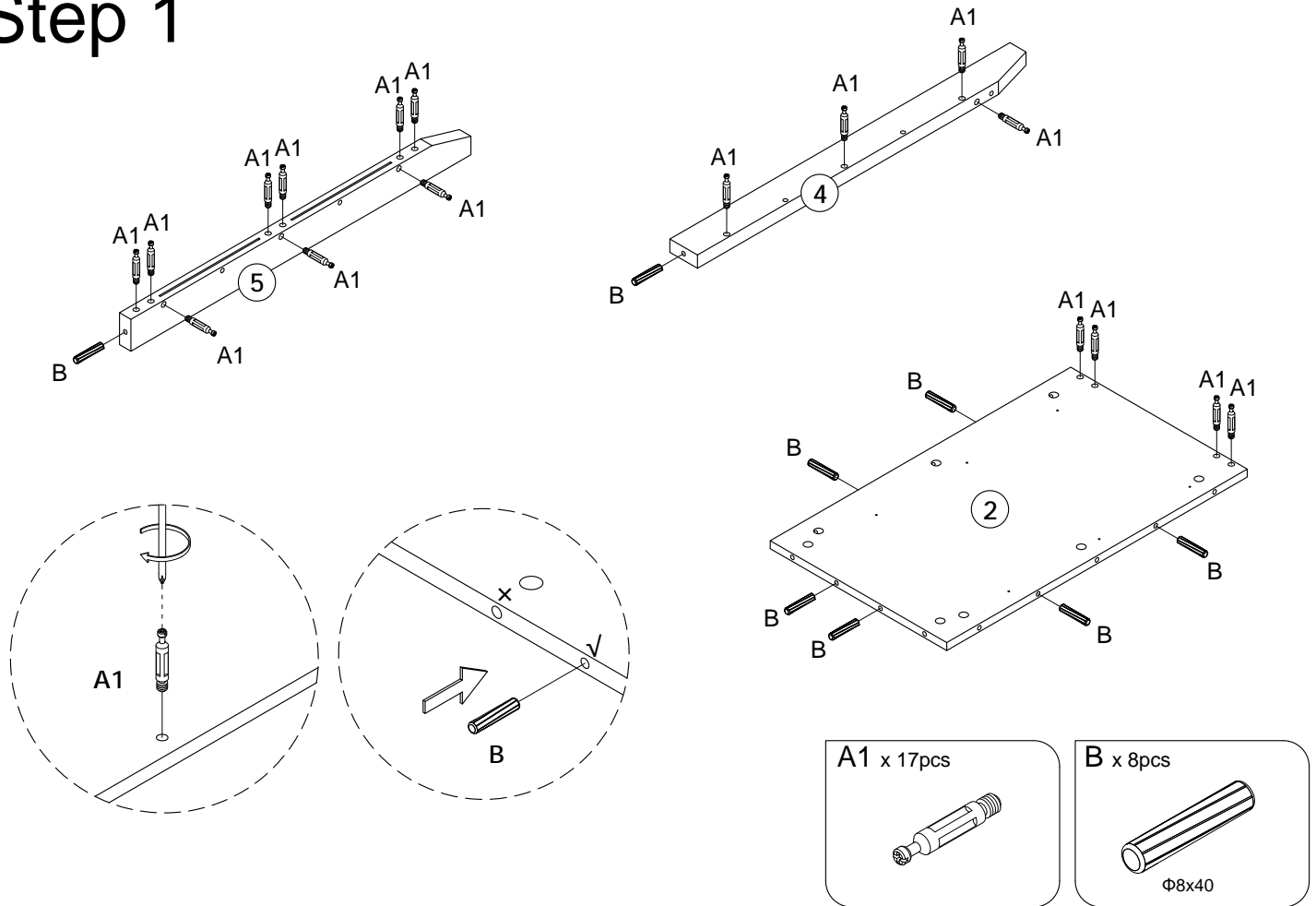


Step 2

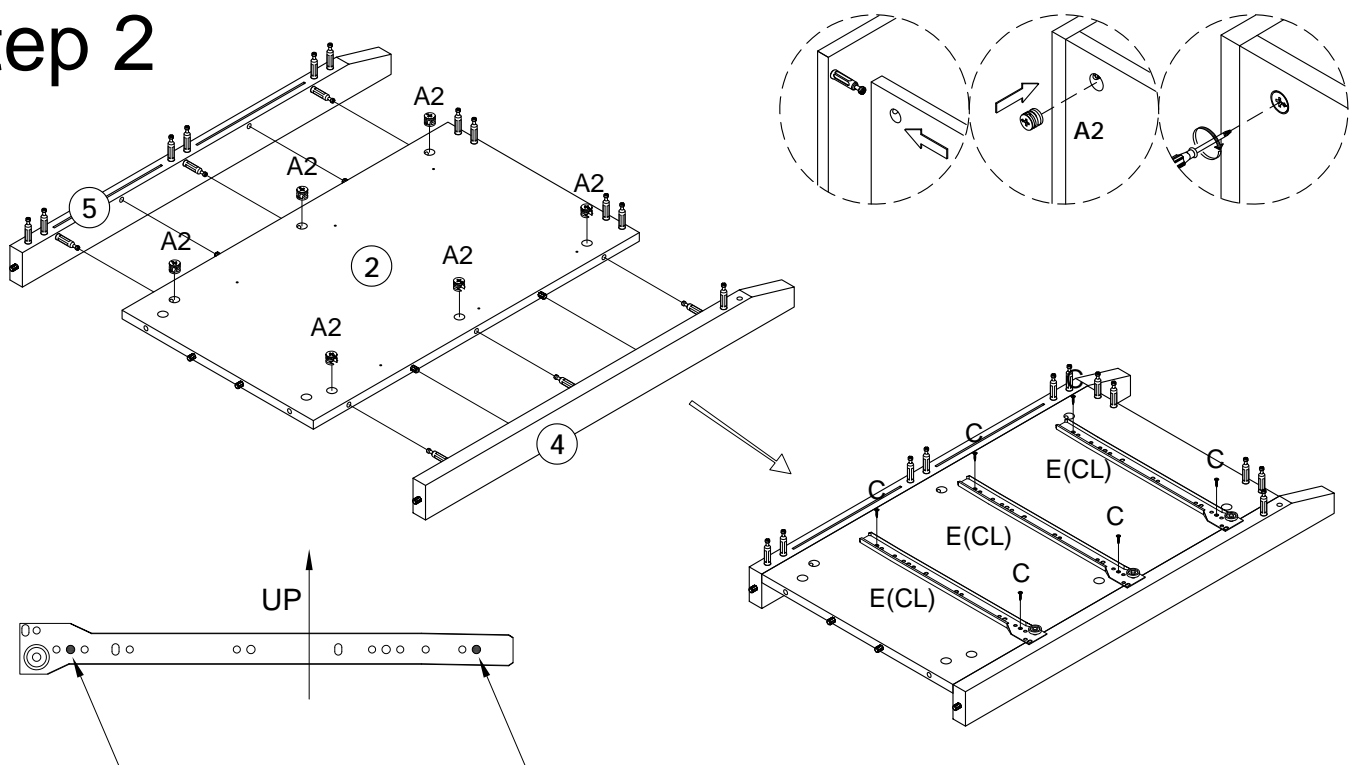


After

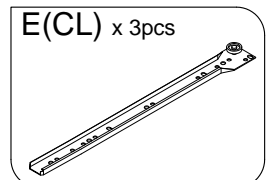
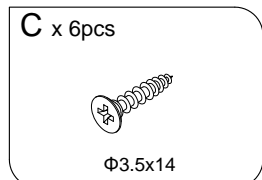
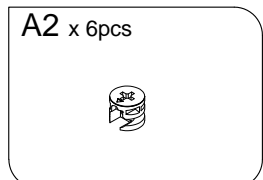
Step 1



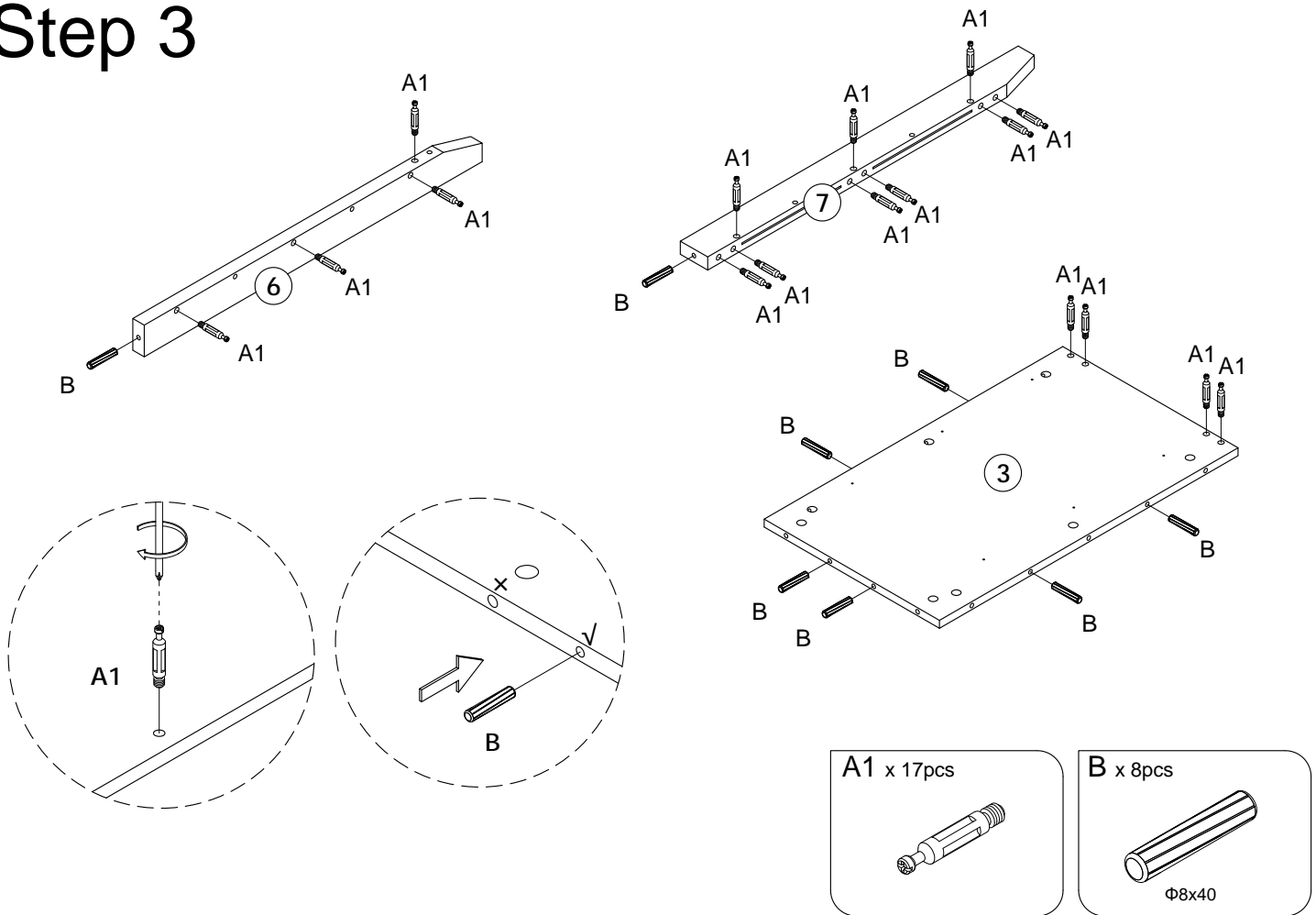
Step 2



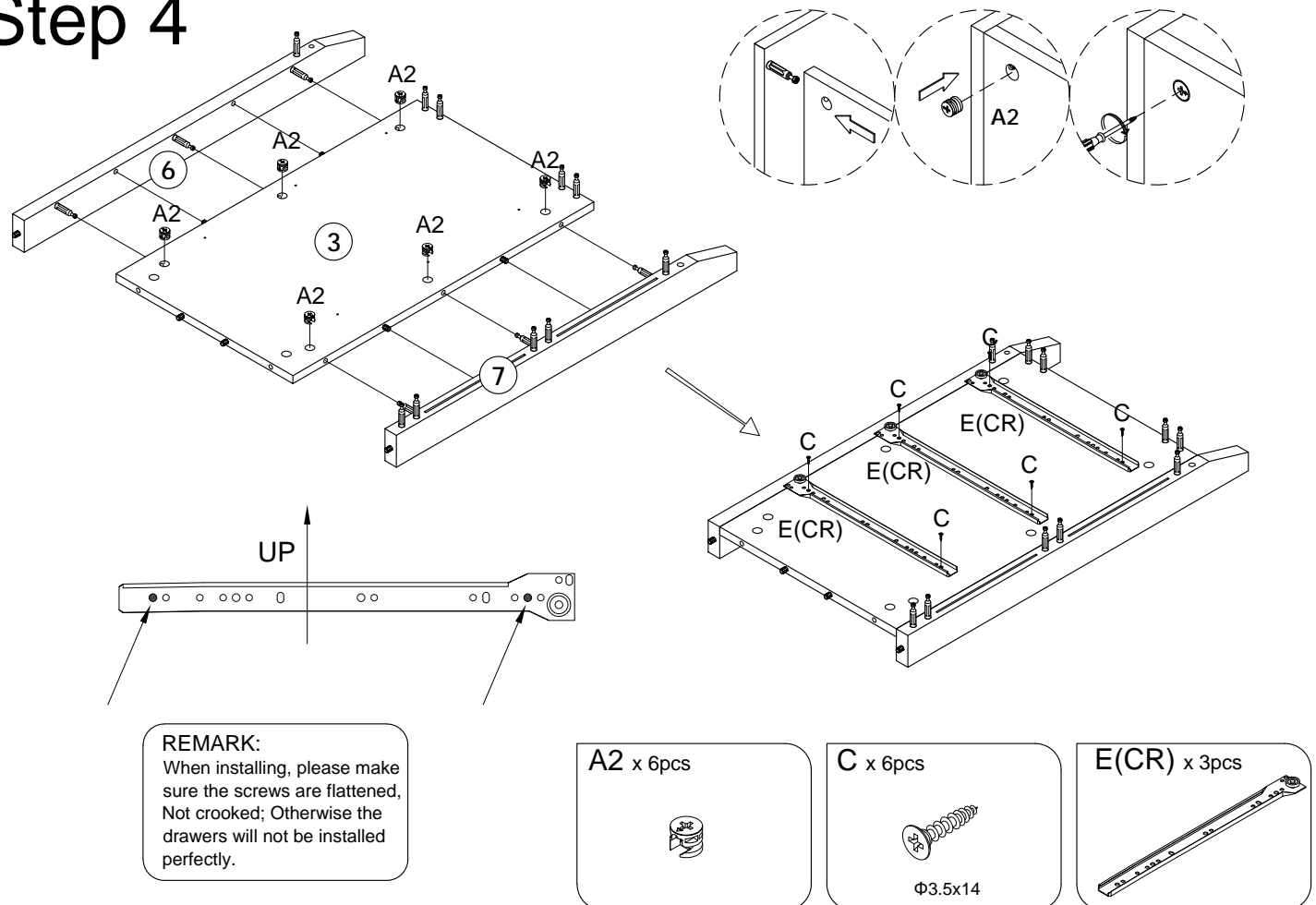
REMARK:
When installing, please make sure the screws are flattened, Not crooked; Otherwise the drawers will not be installed perfectly.



Step 3



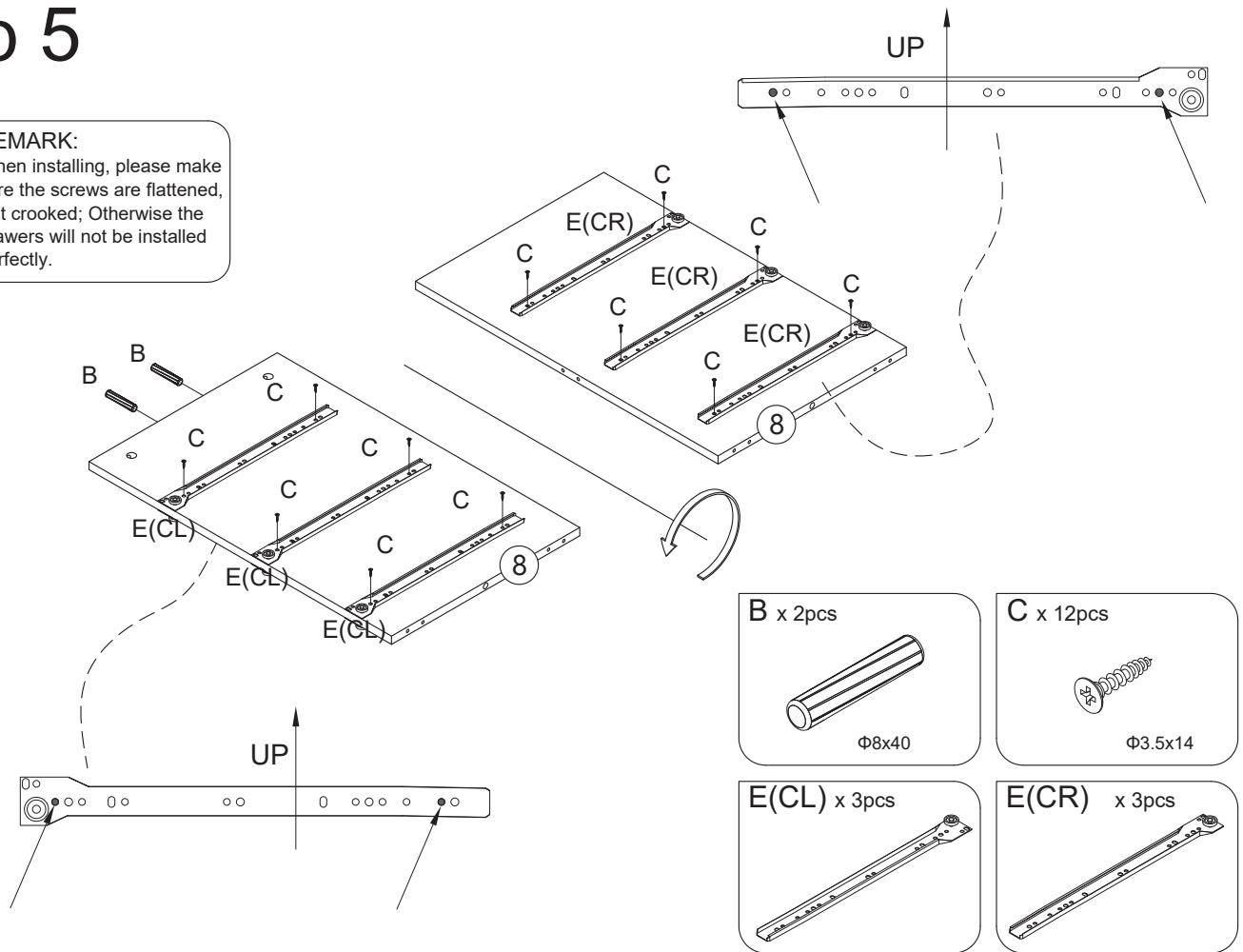
Step 4



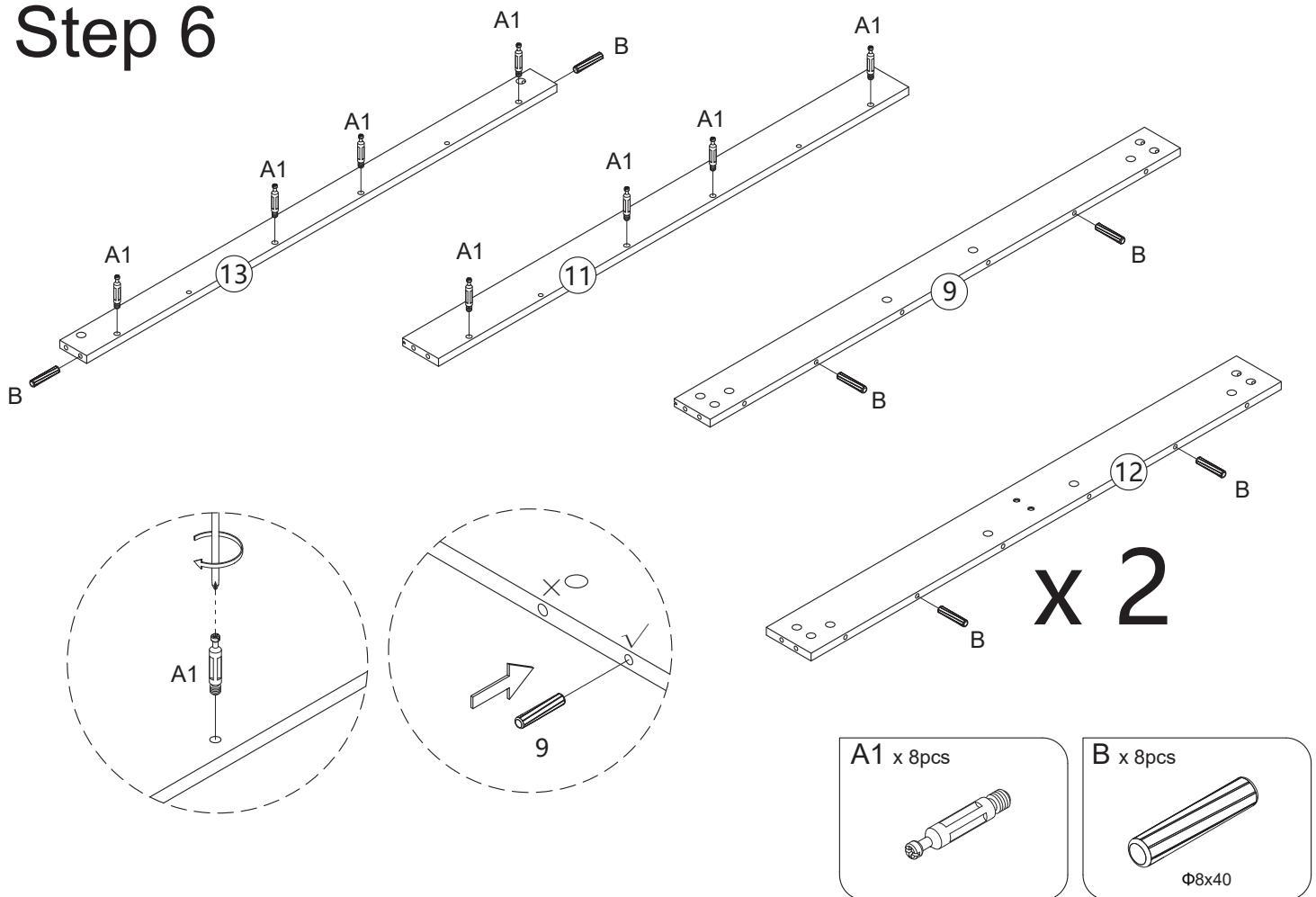
Step 5

REMARK:

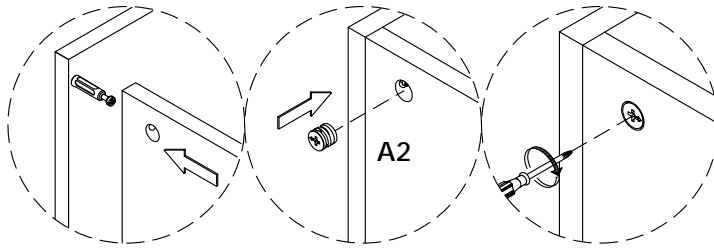
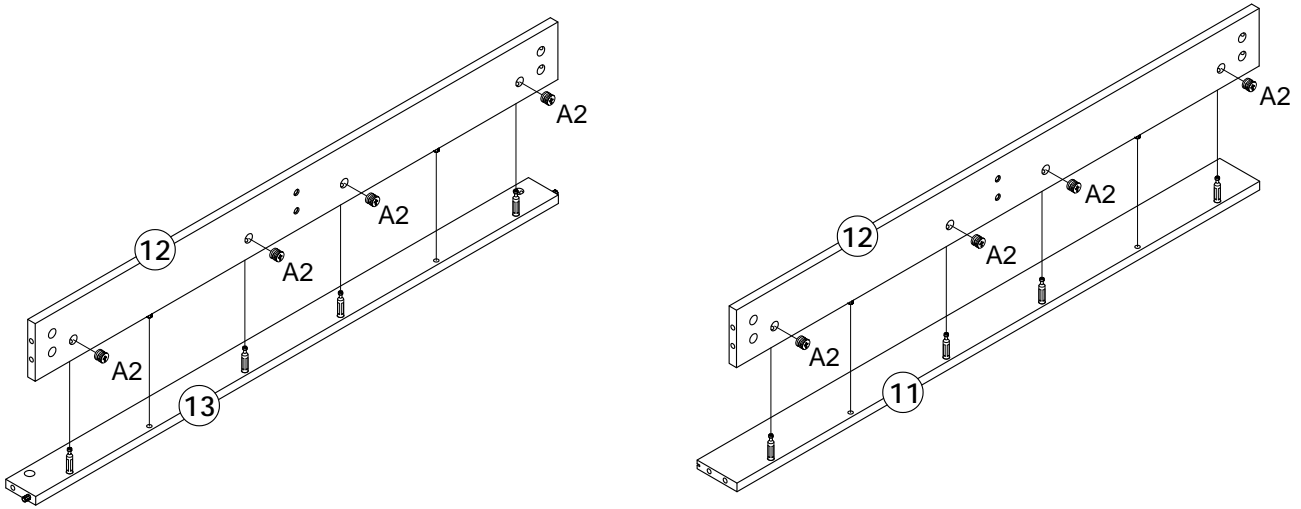
When installing, please make sure the screws are flattened, Not crooked; Otherwise the drawers will not be installed perfectly.



Step 6



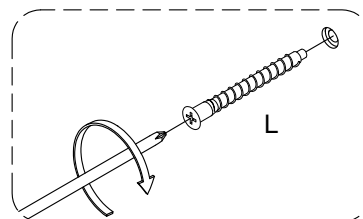
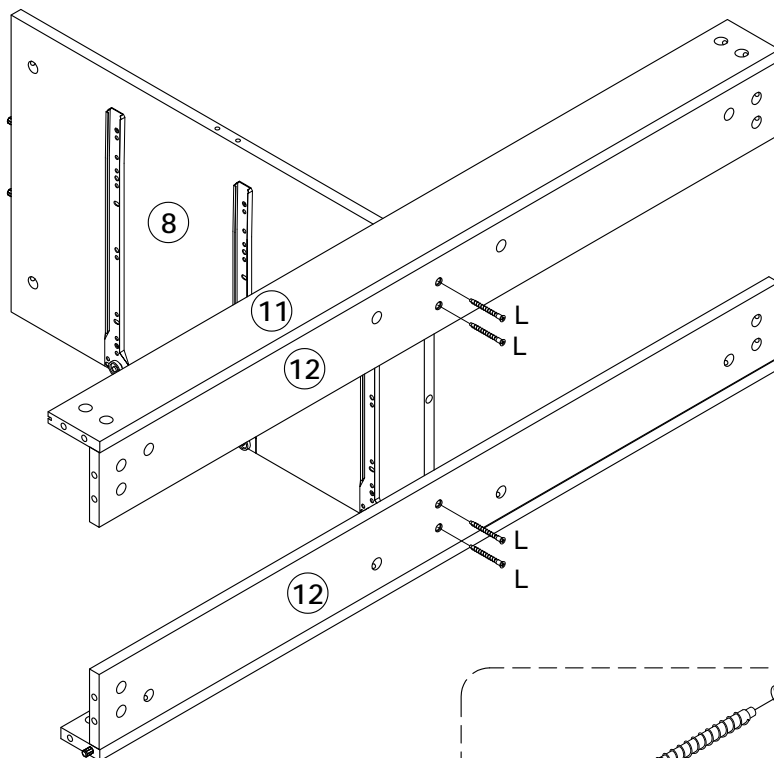
Step 7



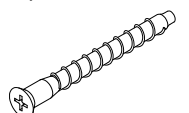
A2 x 8pcs



Step 8

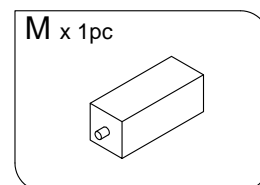
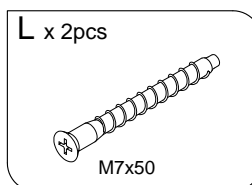
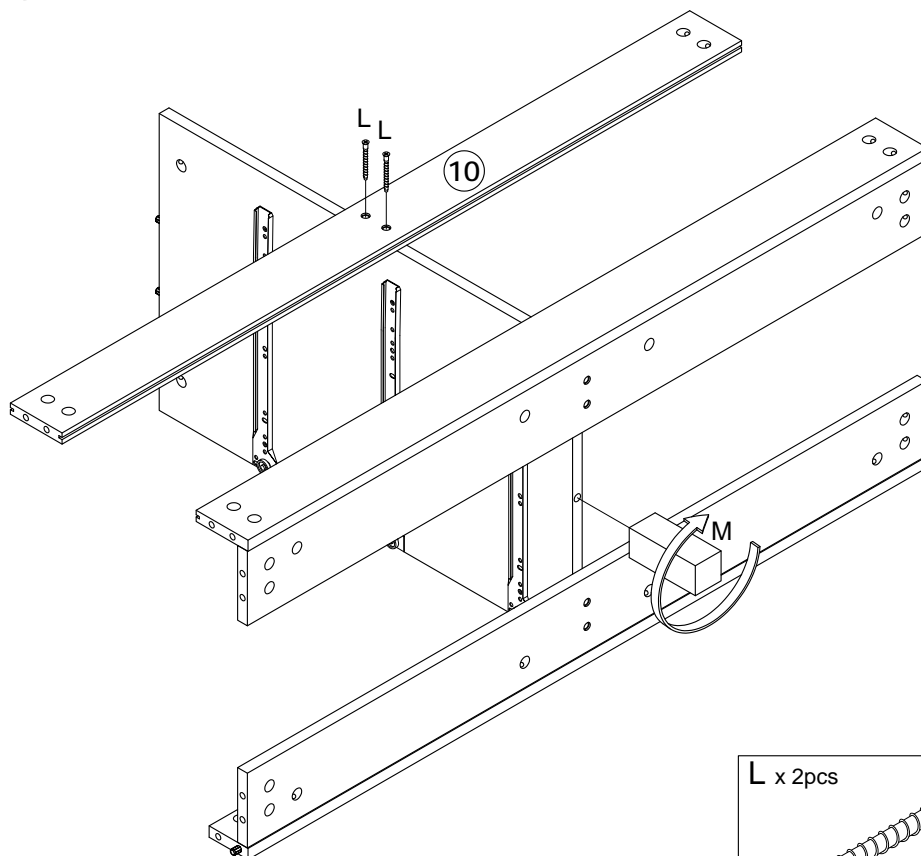


L x 4pcs

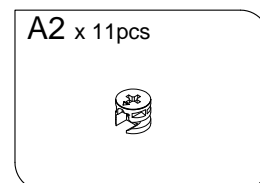
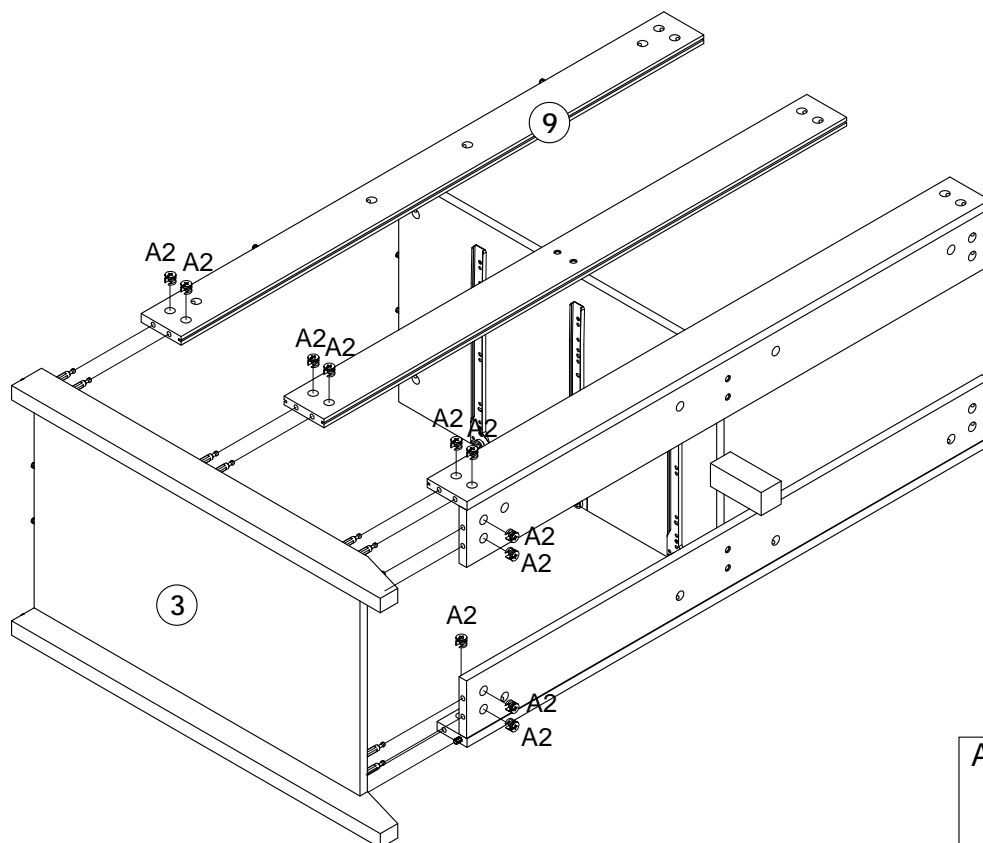


M7x50

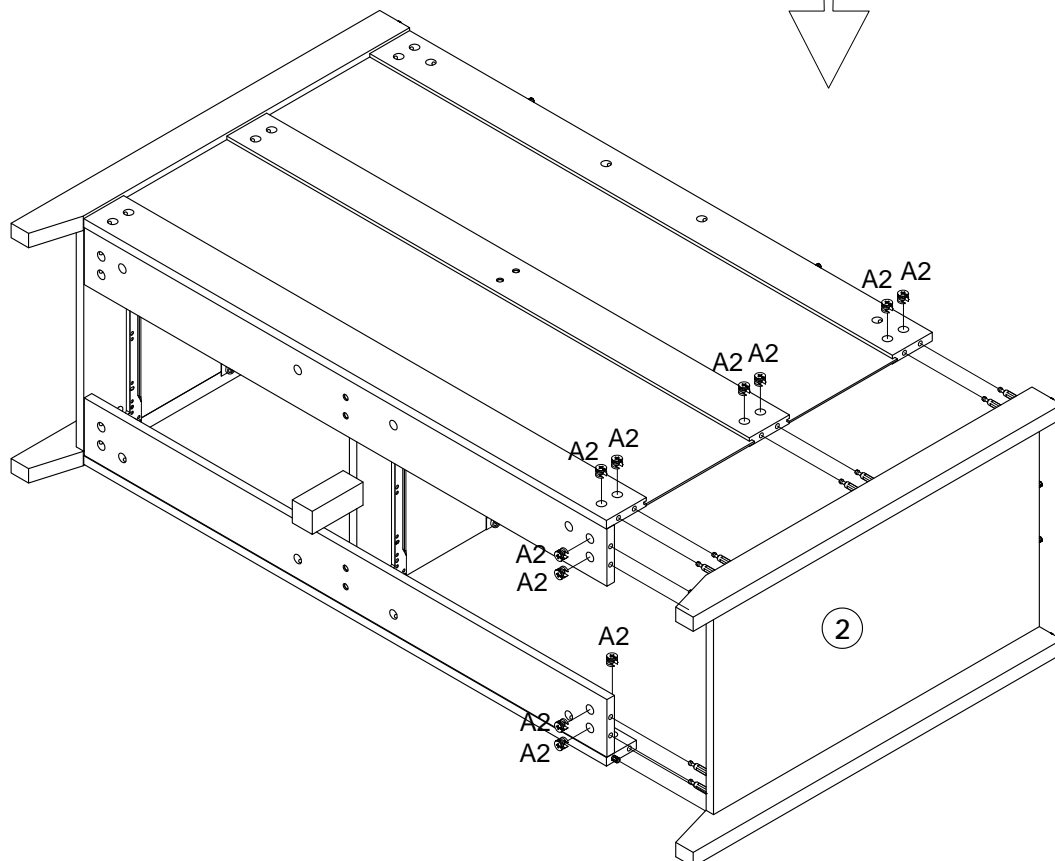
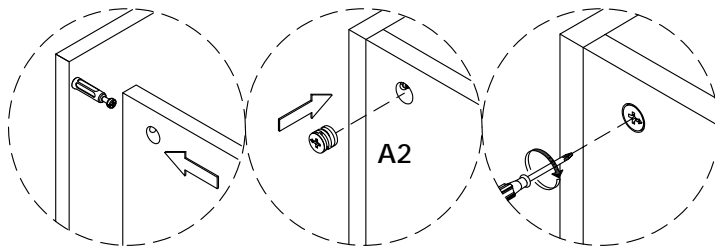
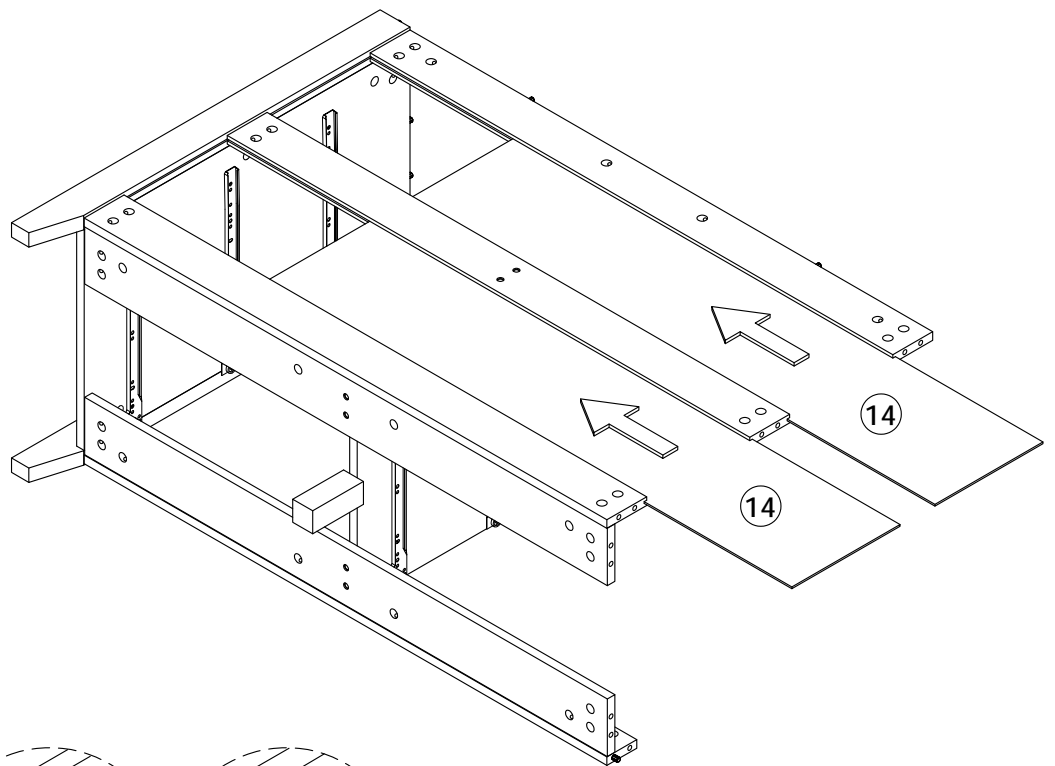
Step 9



Step 10



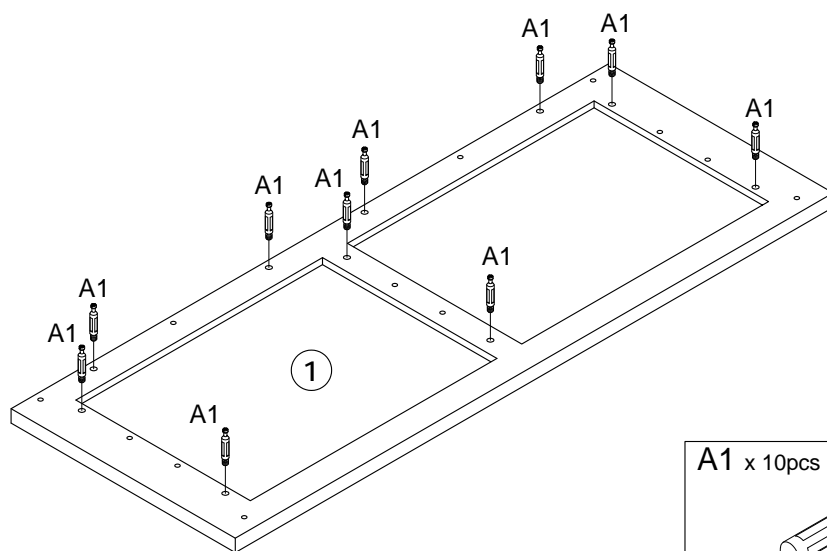
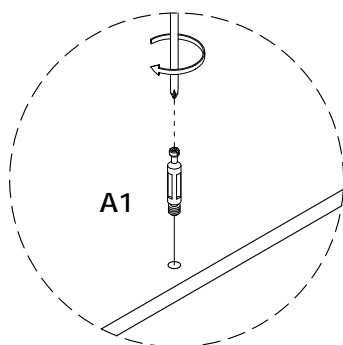
Step 11



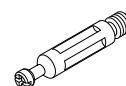
A2 x 11pcs



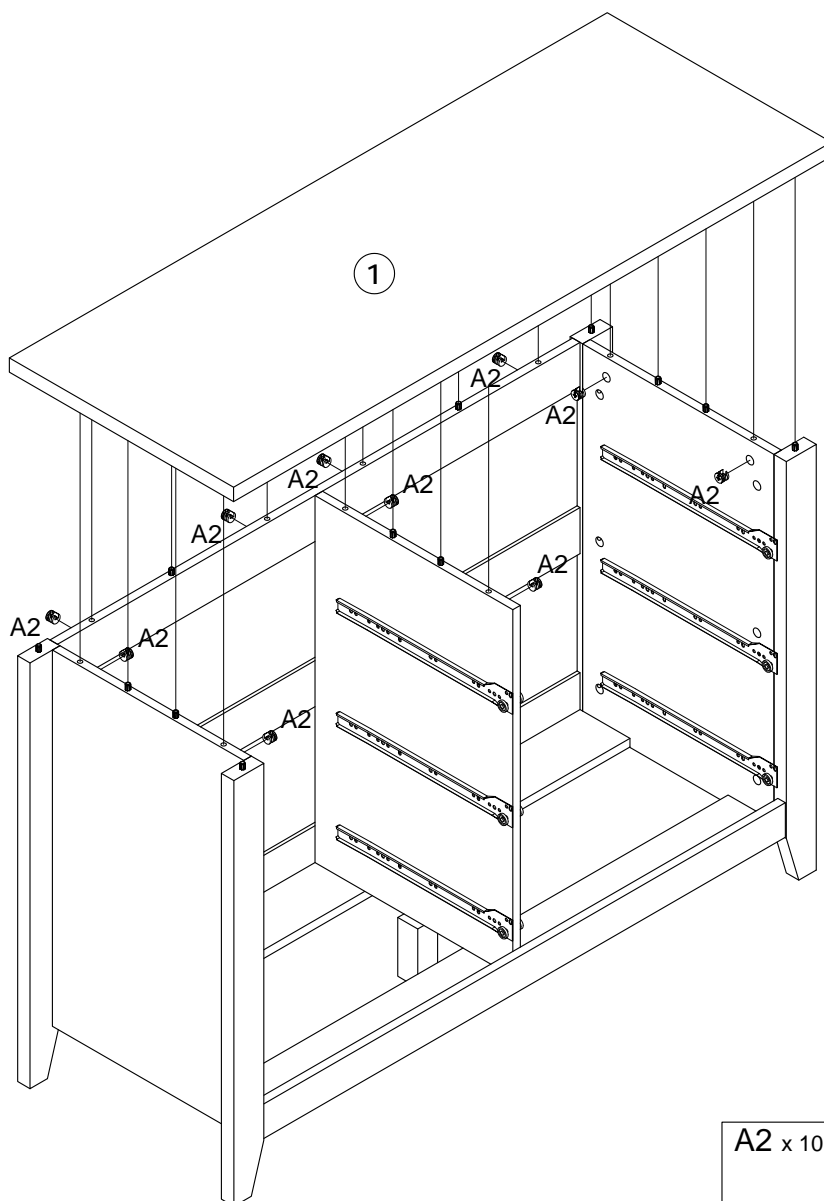
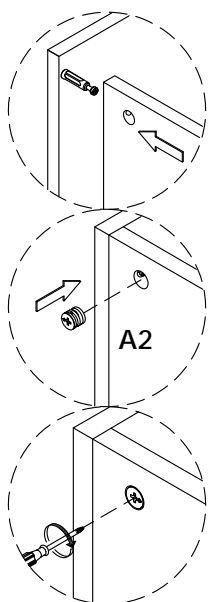
Step 12



A1 x 10pcs



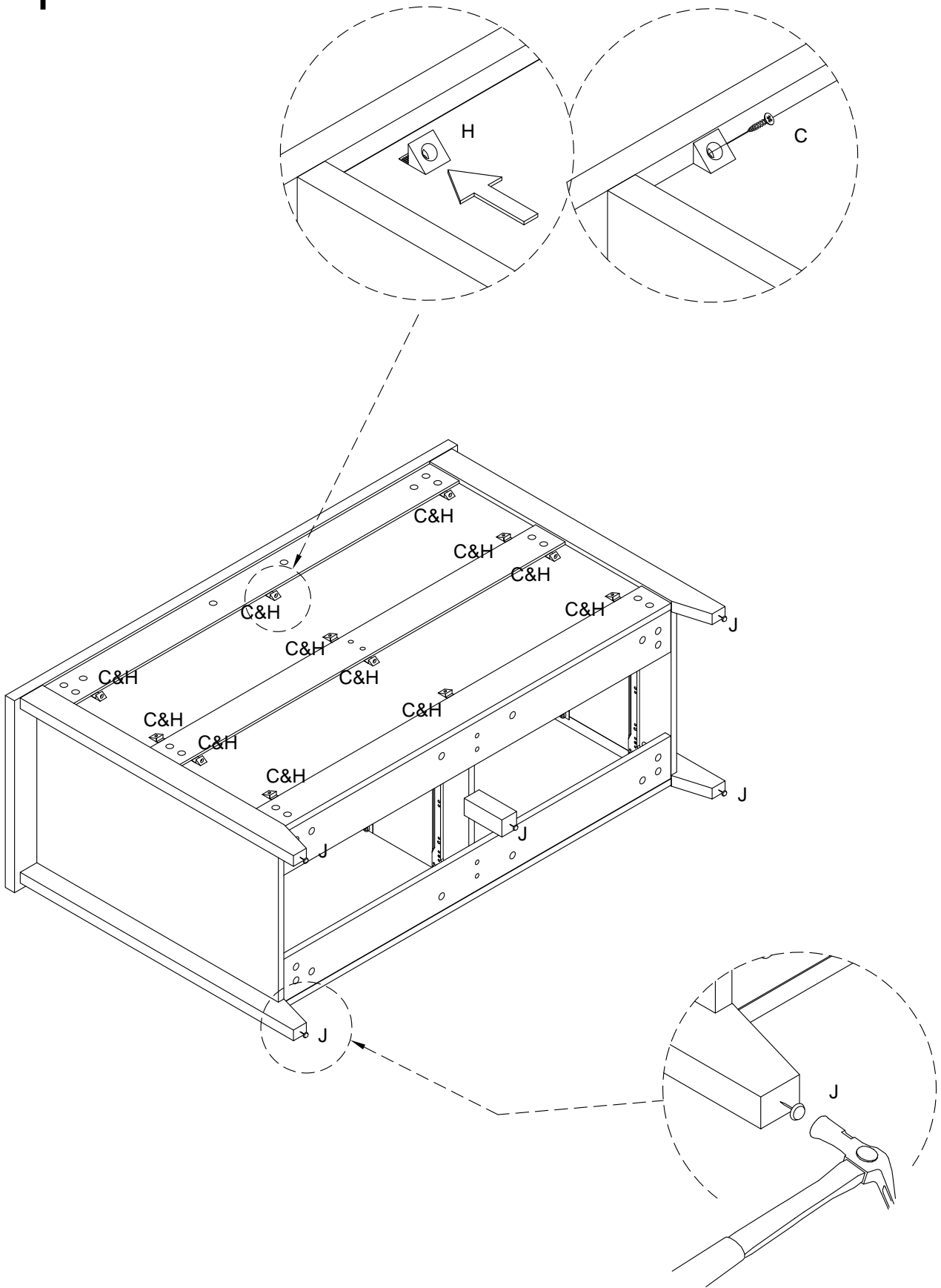
Step 13

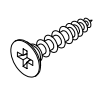


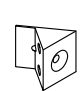
A2 x 10pcs




Step 14

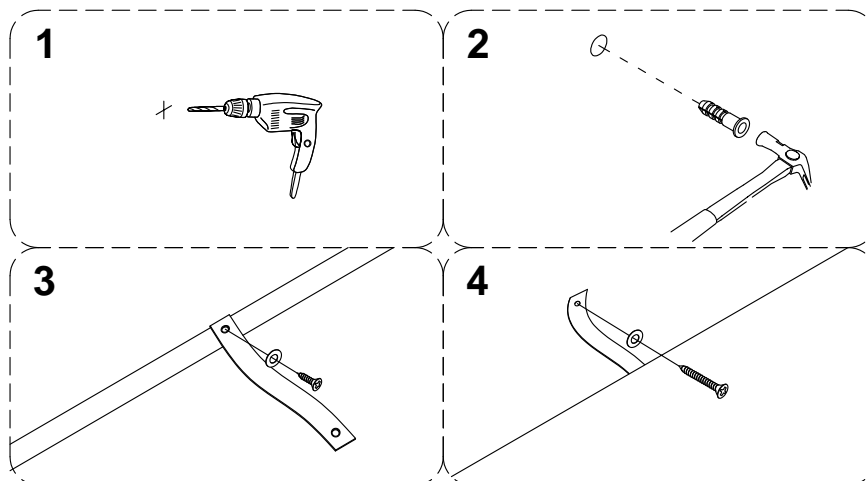


C x 12pcs

Φ3.5x14

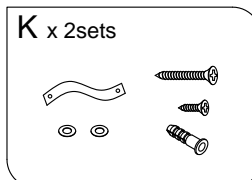
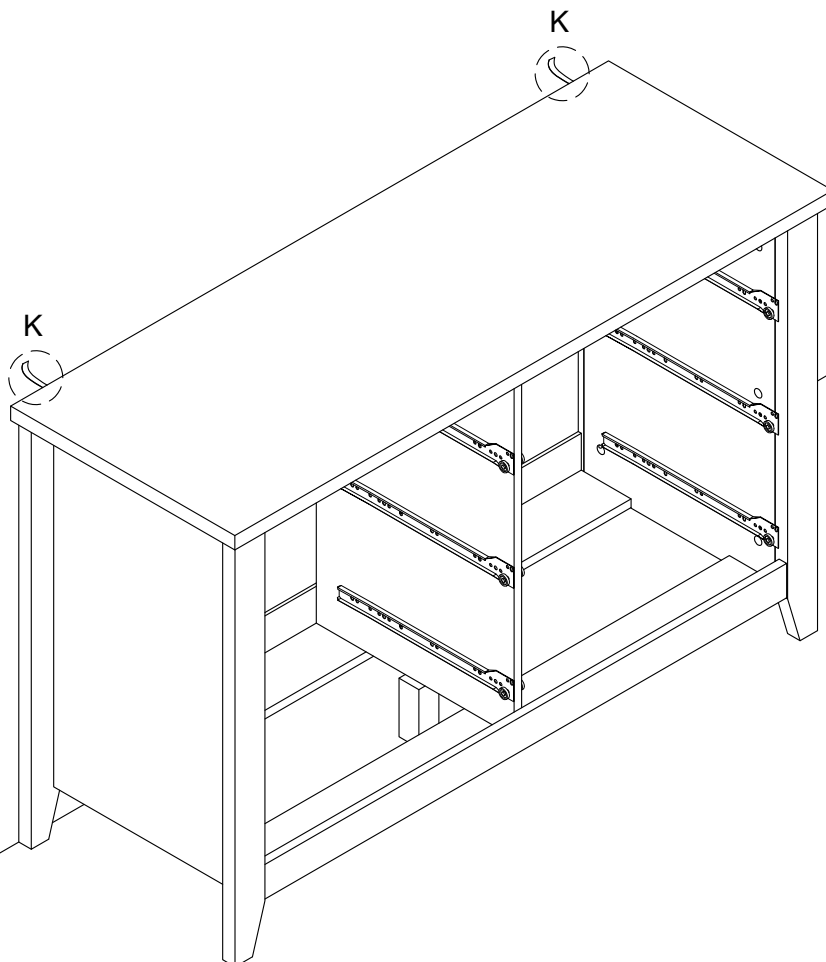
H x 12pcs


J x 5pcs


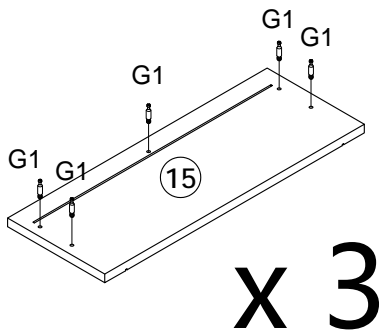
Step 15



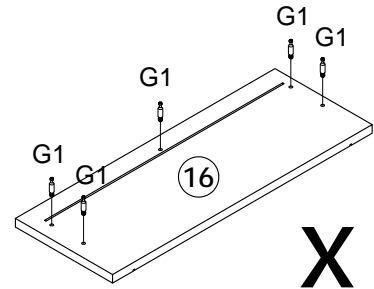
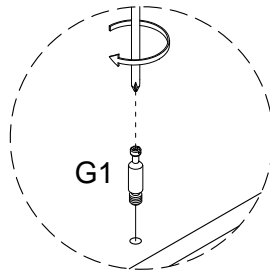
WALL



Step 16



x 3

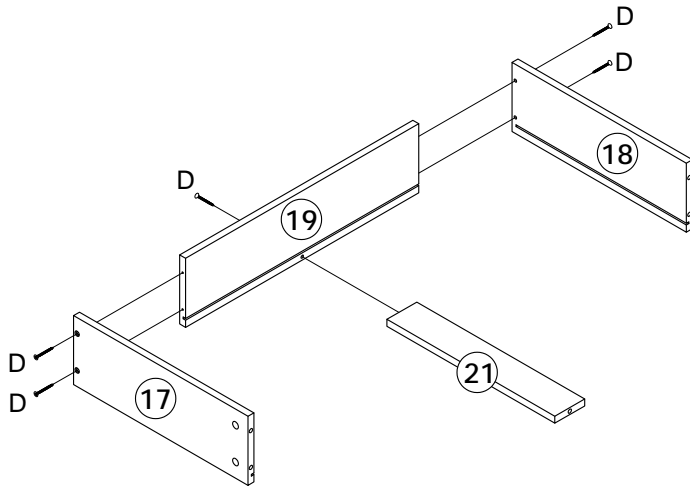


x 3

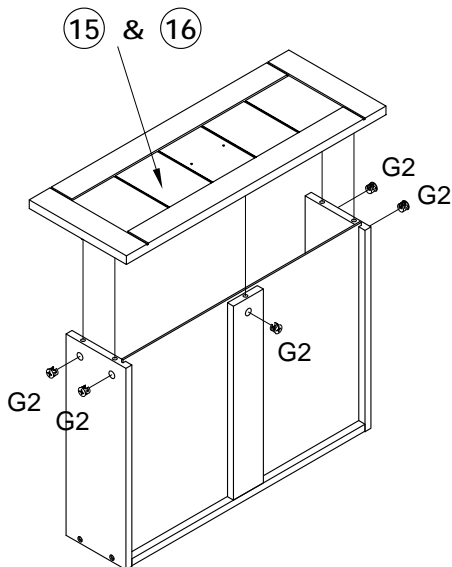
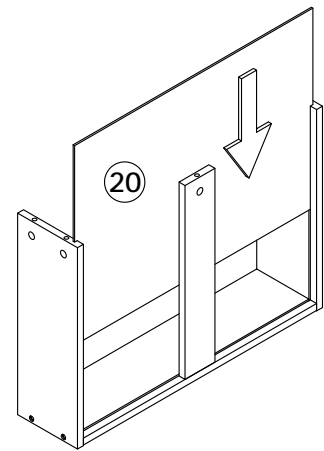
G1 x 30pcs



Step 17



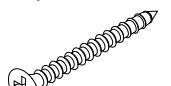
x 6



G2 x 30pcs



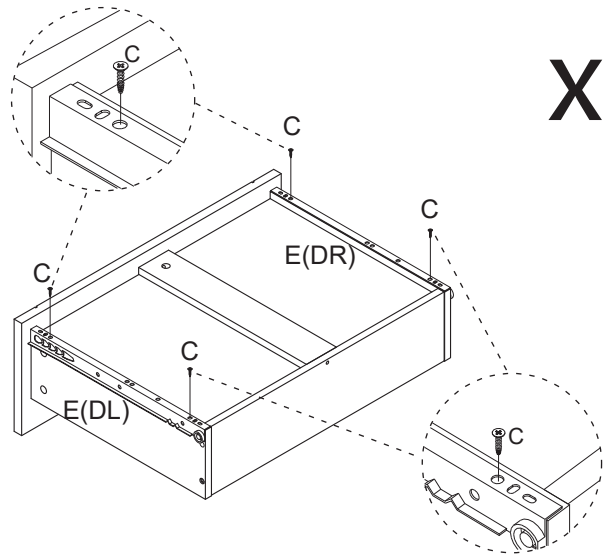
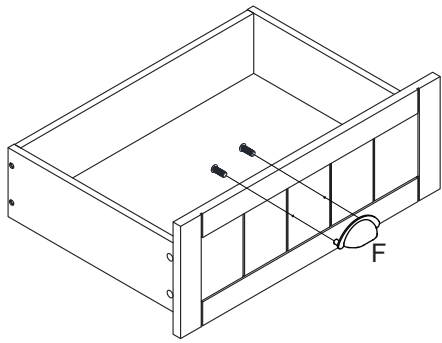
D x 30pcs



Φ3.5x35

Step 18

x 6

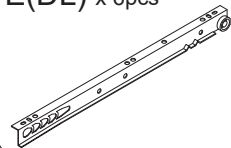


C x 24pcs

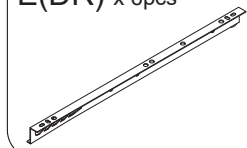


Φ 3.5x14

E(DL) x 6pcs



E(DR) x 6pcs



F x 6pcs



Step 19

