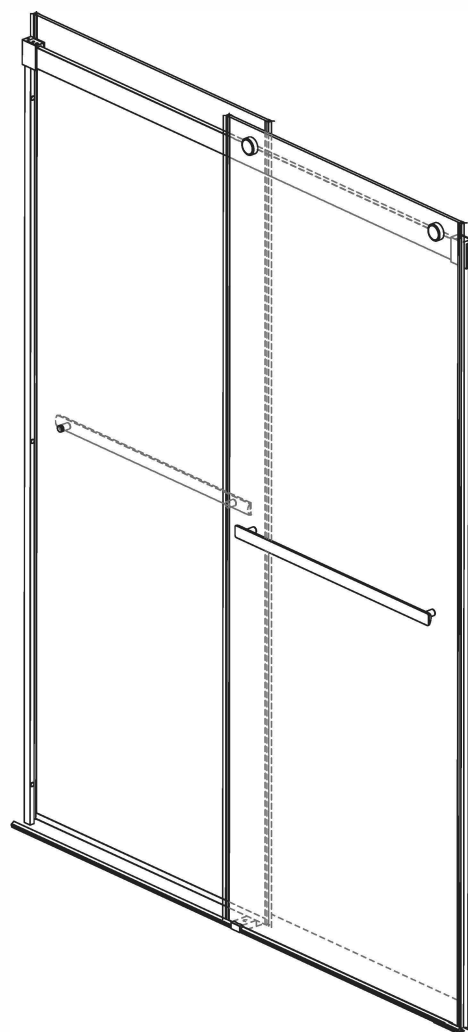
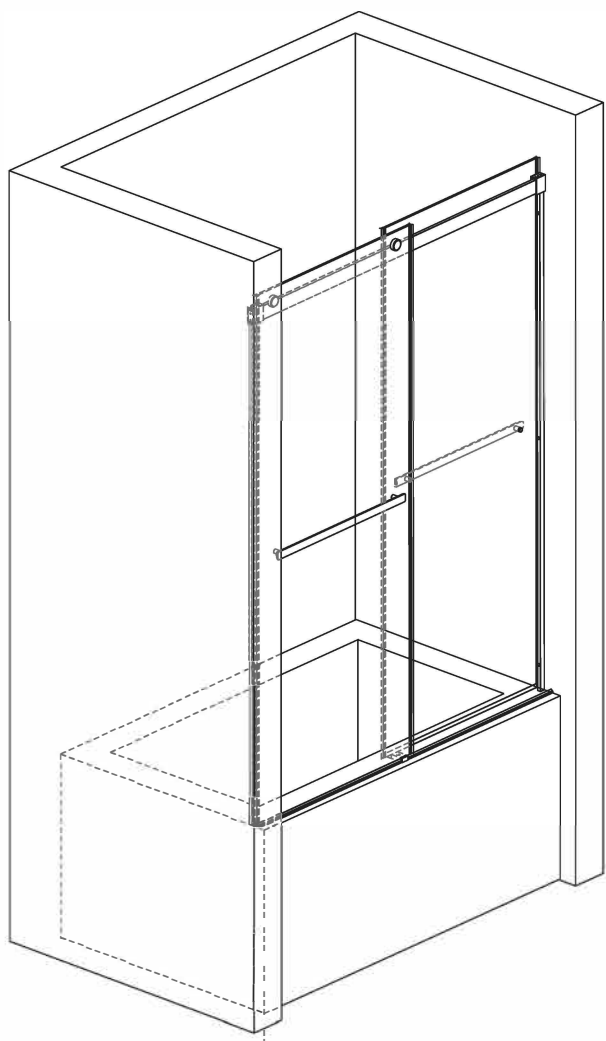


INSTALLATION INSTRUCTIONS



ENRO1050 ENRO1012 ENRO1024



◆ General Information

Please inspect the product immediately upon receipt for transit damage, missing packs/parts or manufacturing fault. Damage reported later cannot be accepted. Please handle the product with care avoiding knocks and shock loading to all sides and edges of the glass.

Notes: Safety glass can not be re-worked.

Please read these instructions carefully before start of installation.

Special care should be taken when drilling walls to avoid hidden pipes or electrical cables.

Note: This product is heavy and may require two people to install.

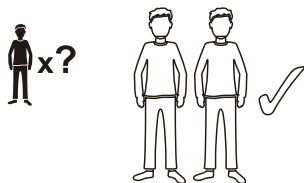
Aftercare instructions

After use, your shower should be cleaned with soap and water. This is particularly important in hard water districts where insoluble lime salts may be deposited and allowed to build up. Cleaners of a gritty or abrasive nature should not be used. Care should be taken to avoid contact with strong chemicals such as organic solvents and strippers.

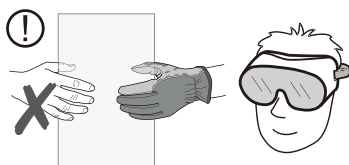
Glass cleaners can be used but with caution, if in doubt contact the manufacturer of the cleaner in question.

Please keep these instructions for aftercare and customer service details.

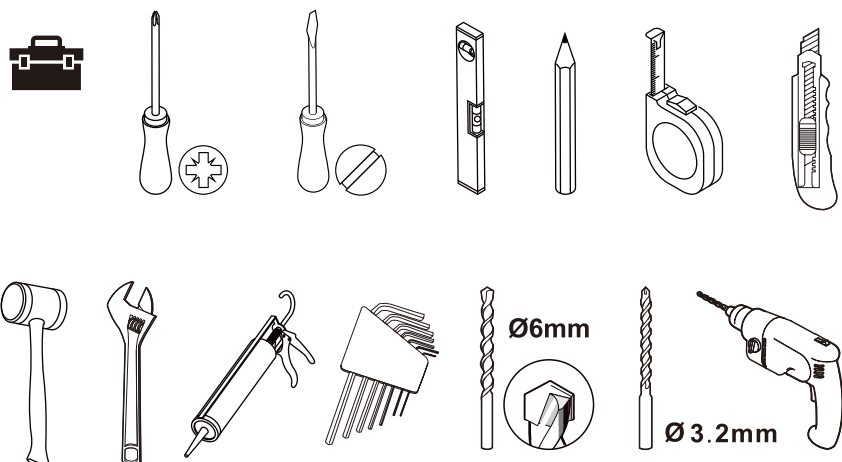
It is recommended that at least two people install it.



Wear gloves and goggles for your safety.



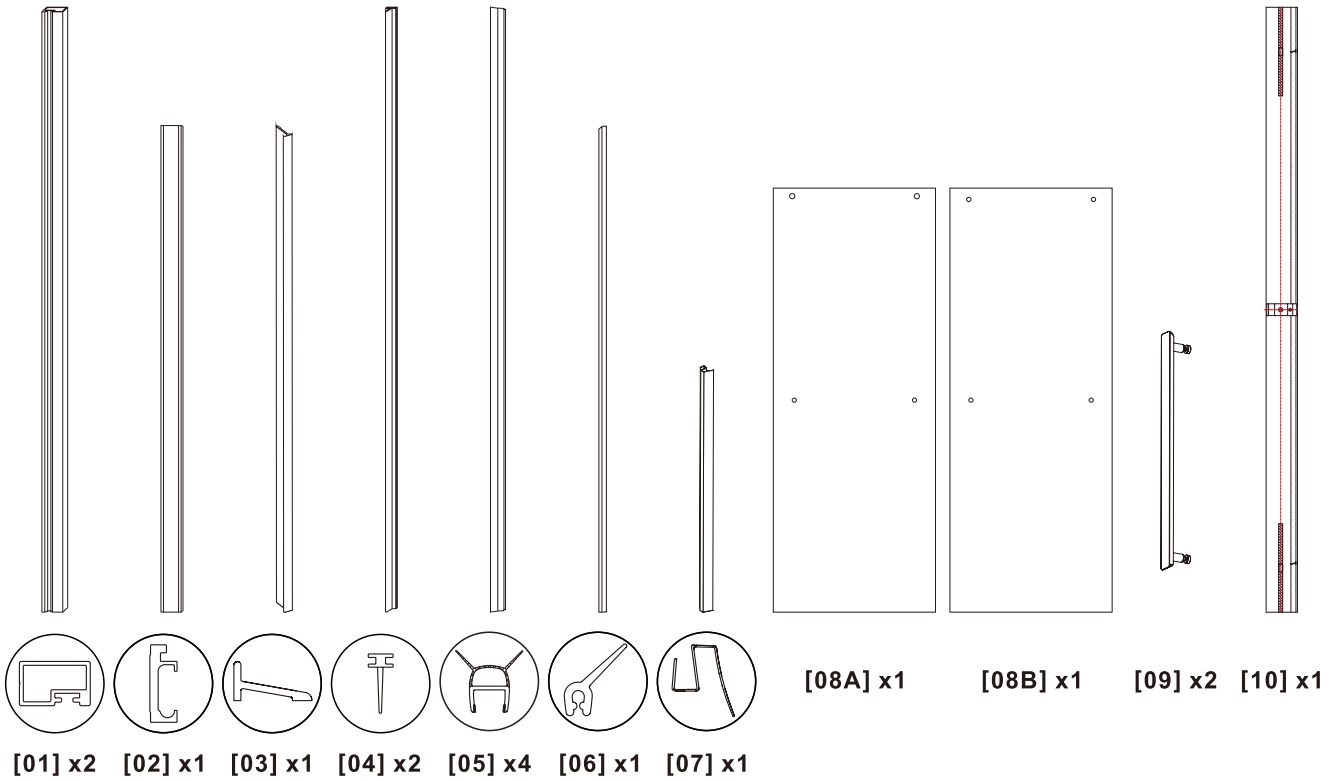
Required Tools



If something is missing or broken, please contact us. We will help you.



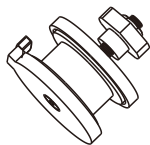
What's in the box



[11A] x2



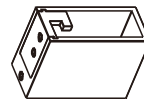
[11B] x2



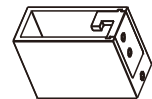
[12A] x2



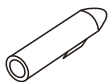
[12B] x2



[13A] x1



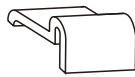
[13B] x1



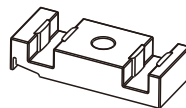
[14] x12



[15] x4 (ST4x35)



[16] x2



[17] x1



[18] x1



[19] x2 (ST3.5x25)



[20] x6 (ST4x35)



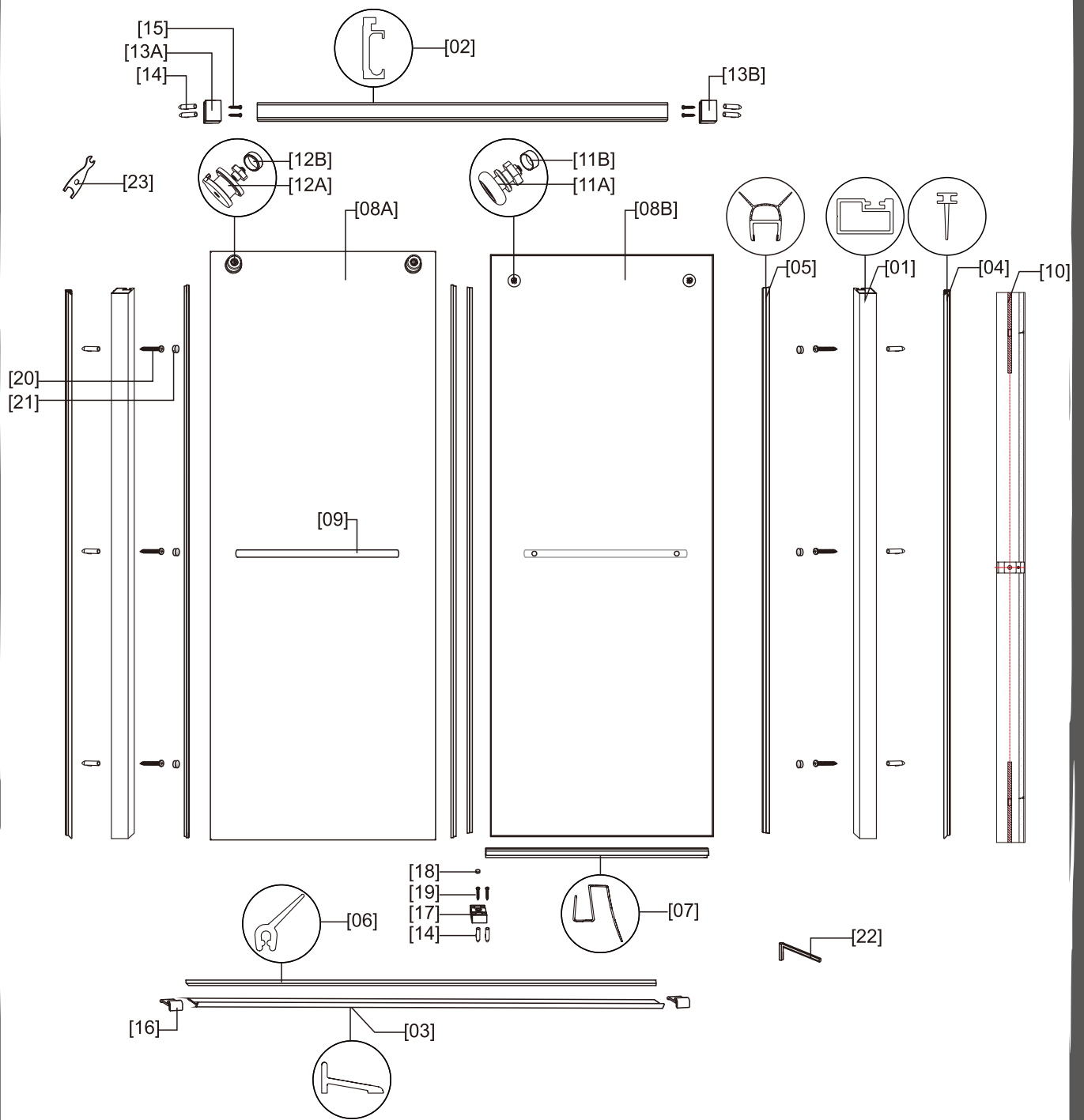
[21] x6



[22] x1 (2.5mm)

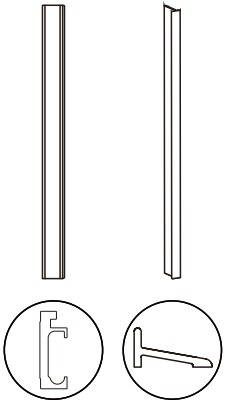


[23] x1

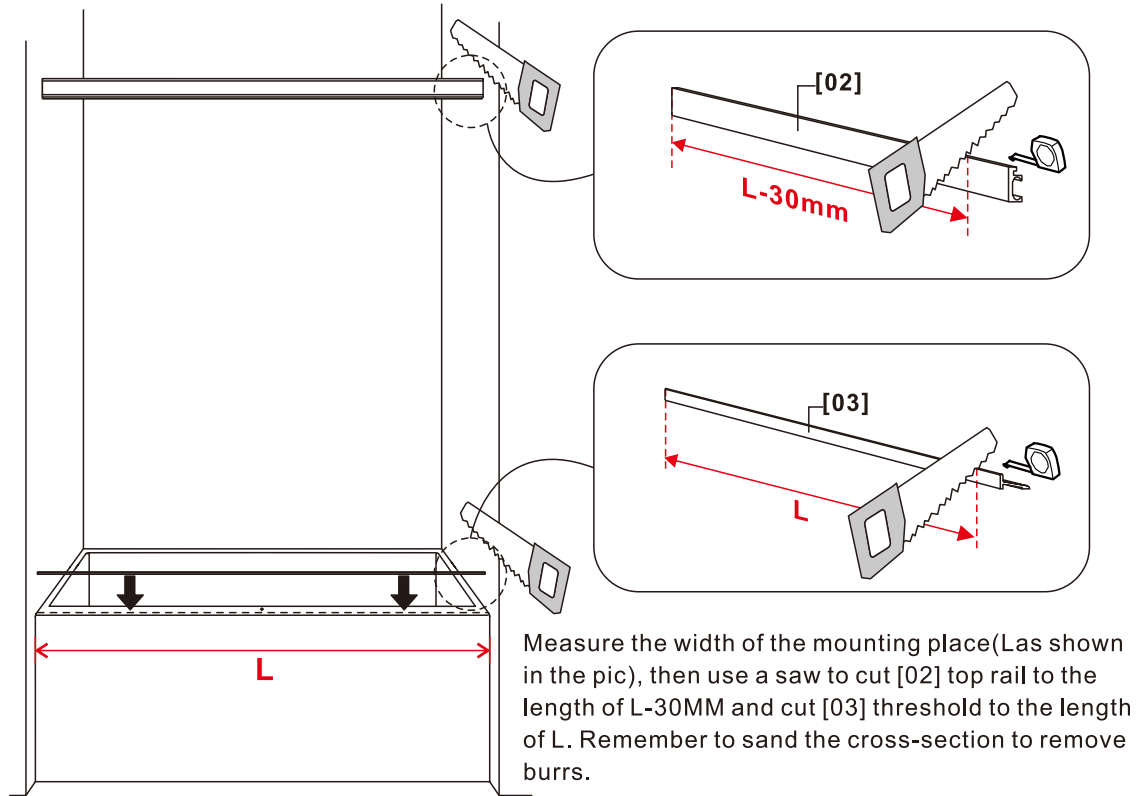




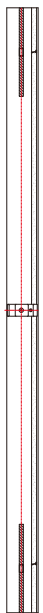
01



[02] x1 [03] x1

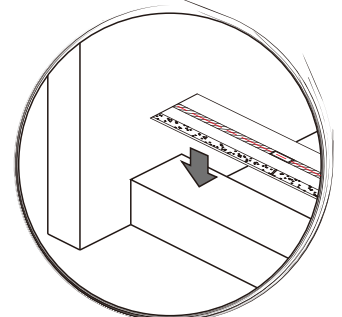
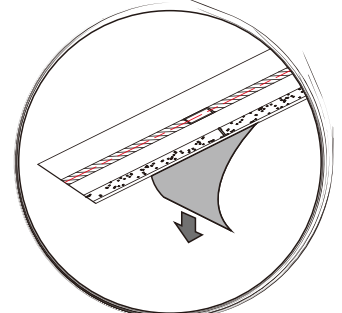
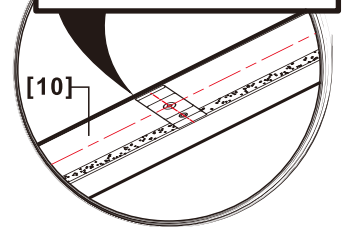
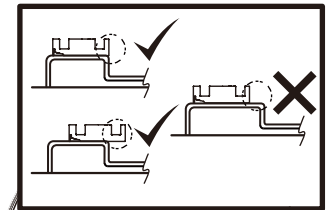
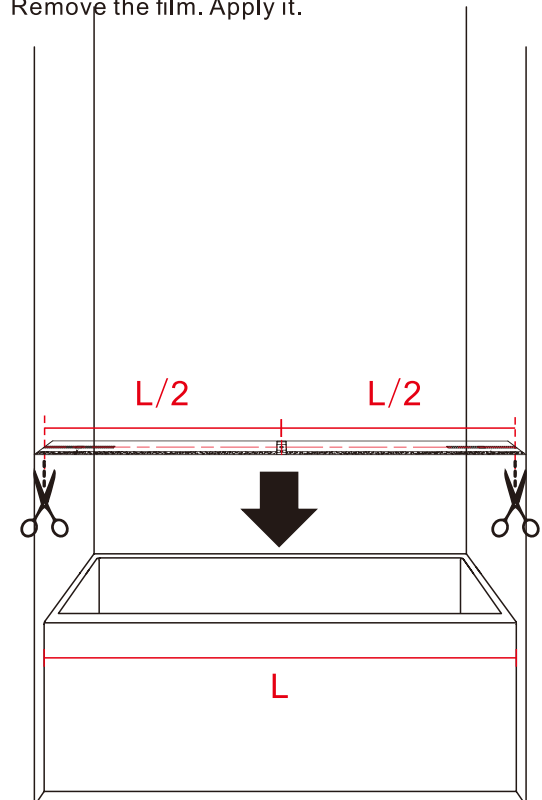


02



[10] x1

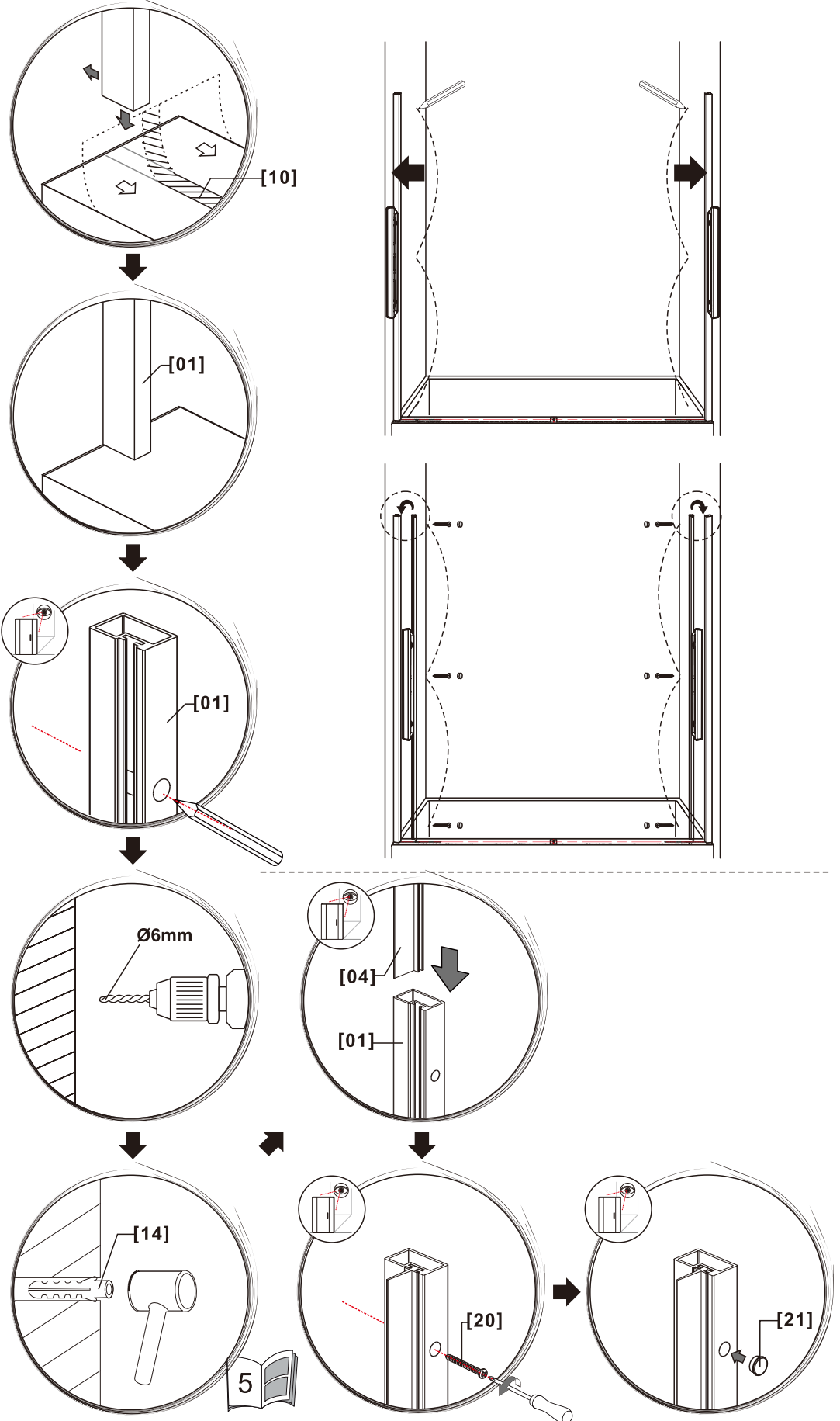
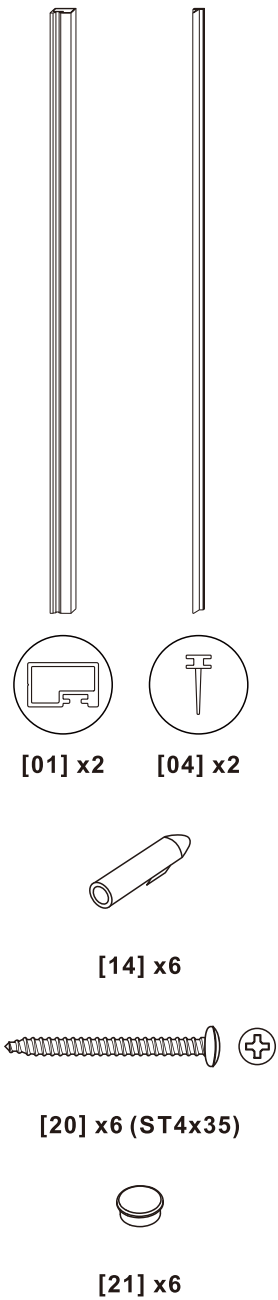
1. Depending on the width of your wall cut the [10] hole location template sticker symmetrically and then apply it to the edge.
2. Please stick the [10] hole location template sticker within the edge of the bathtub and not beyond.
3. Remove the film. Apply it.



03

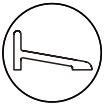
1. Place [01] the wall post against the middle part of [10] hole location template sticker. Make sure the side where you put the seal strip of [01] the wall posts aren't against the wall.
2. After you put [01] the wall post in position, keep it level. Then use a pencil to mark the drill hole on the wall.
3. Using a 6 MM diameter drill bit, drill holes in your marks. Knock [14] wall plugs into the wall.
4. Insert [04] the seal strip into [01] the wall post. Place either left or right [01] wall post on the wall, and place a [21] back screw cap over each [20] ST4x35 screw and screw [01] wall post into place.

Attention: Peel off small part of the [10] hole location template sticker before the aluminum installation.

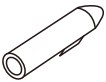


04

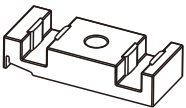
- 1、 Drill at template locations. (According to the floor or tray or tub, choose different drill bit).
- 2、 Remove [10] hole location template sticker. Knock [14] wall plug into the drill holes.
- 3、 Put [03] threshold and [17] bottom guide in the right place. Mark the surface of the place where you put [03] threshold.
- 4、 Remove the film. Apply [03] threshold to the mark point.
- 5、 Place a [18] back screw cap over each [17] ST3.5×25 screw.



[03] x1



[14] x2



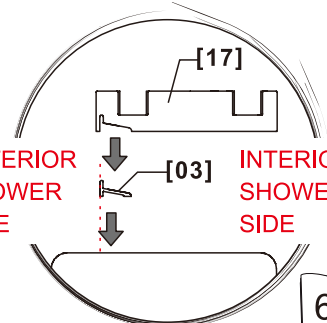
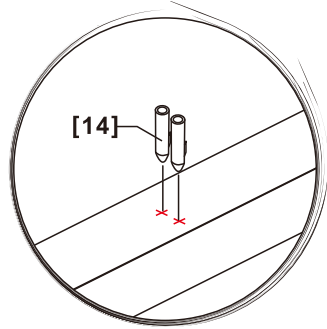
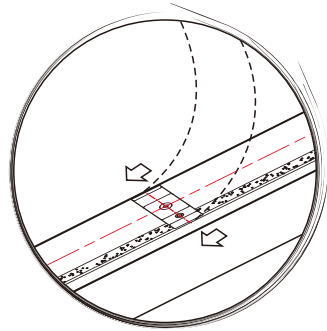
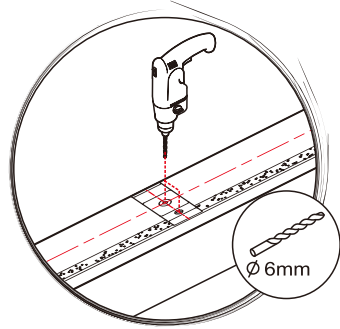
[17] x1



[18] x1

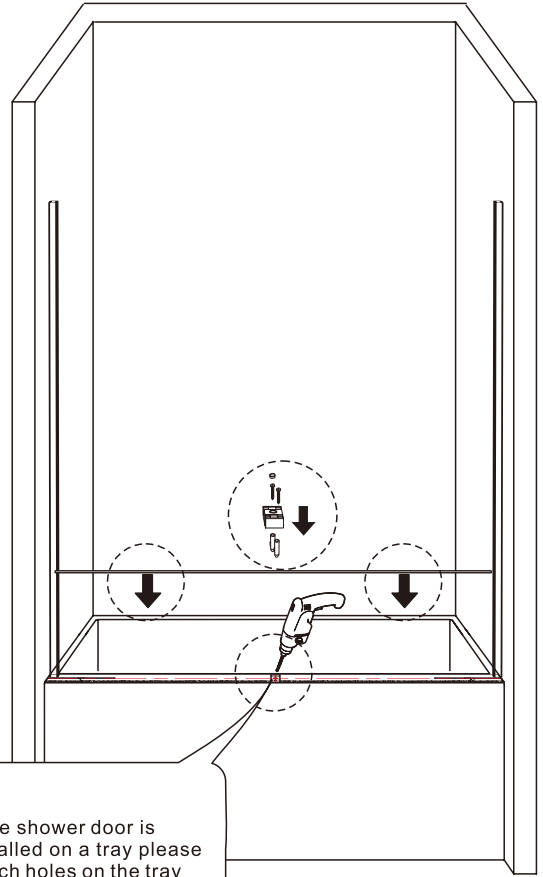


[19] x2 (ST3.5x25)

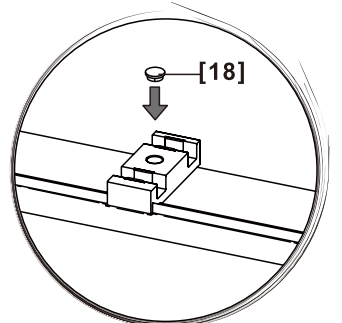
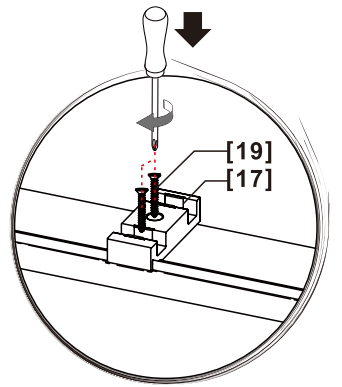
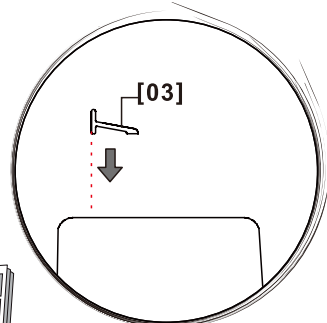
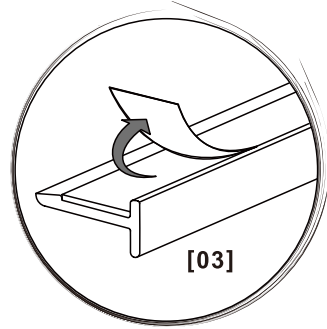


EXTERIOR
SHOWER
SIDE

INTERIOR
SHOWER
SIDE



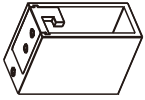
⚠
If the shower door is installed on a tray please punch holes on the tray with a $\phi 3\text{mm}$ drill, the wall plugs are NOT required;
If not, please punch holes on the floor with $\phi 6\text{mm}$ drill, the wall plugs are required.



05

You can remove the set screw for step 5.

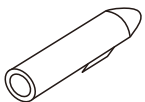
1. Place either left or right [13A] [13B] wall bracket on the top of each [01] wall post.
2. Mark the hole positions. Drill the holes. Knock [14] wall plugs into the wall.
3. Drill [15] ST4×35 screws into the walls.



[13A] x1



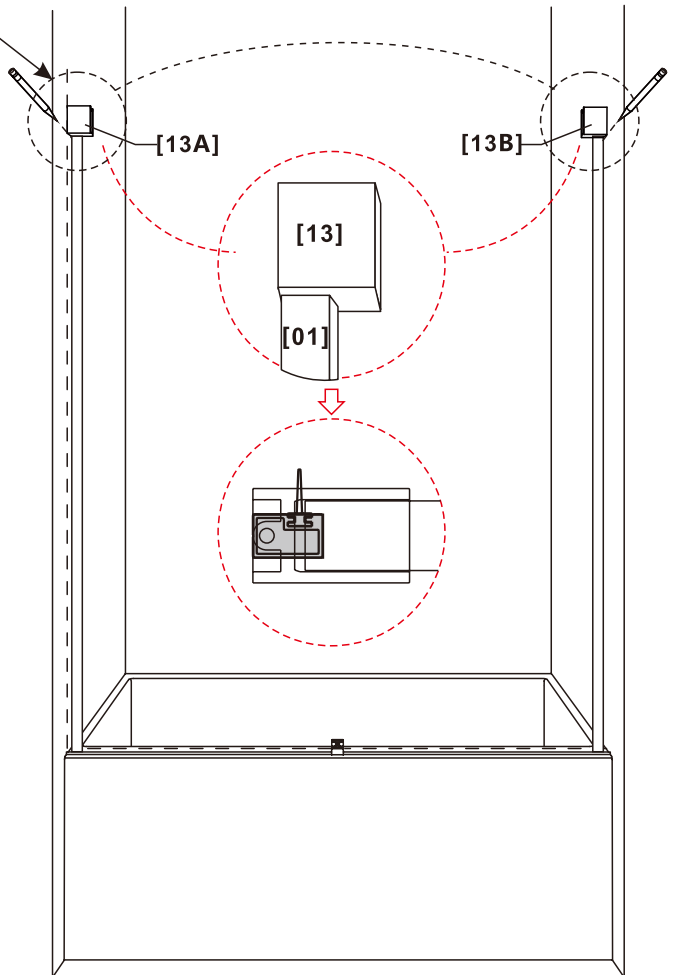
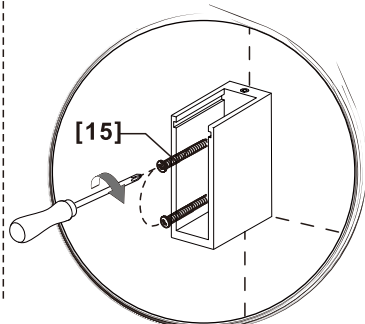
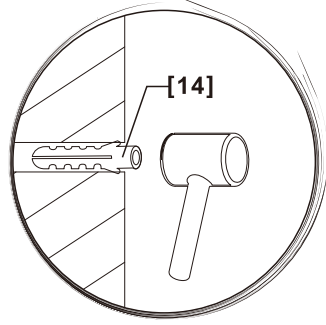
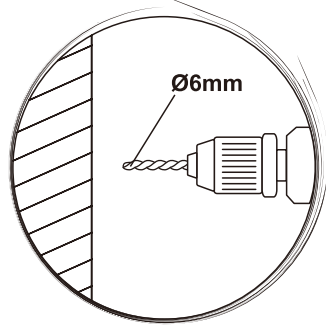
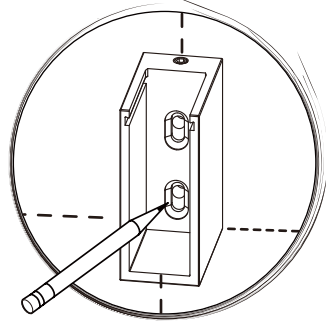
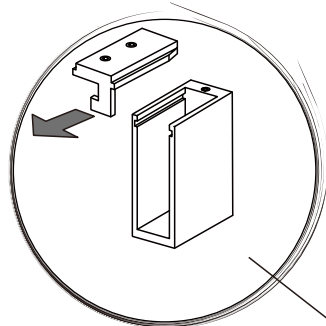
[13B] x1



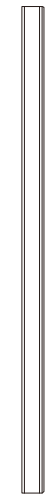
[14] x4



[15] x4 (ST4x35)

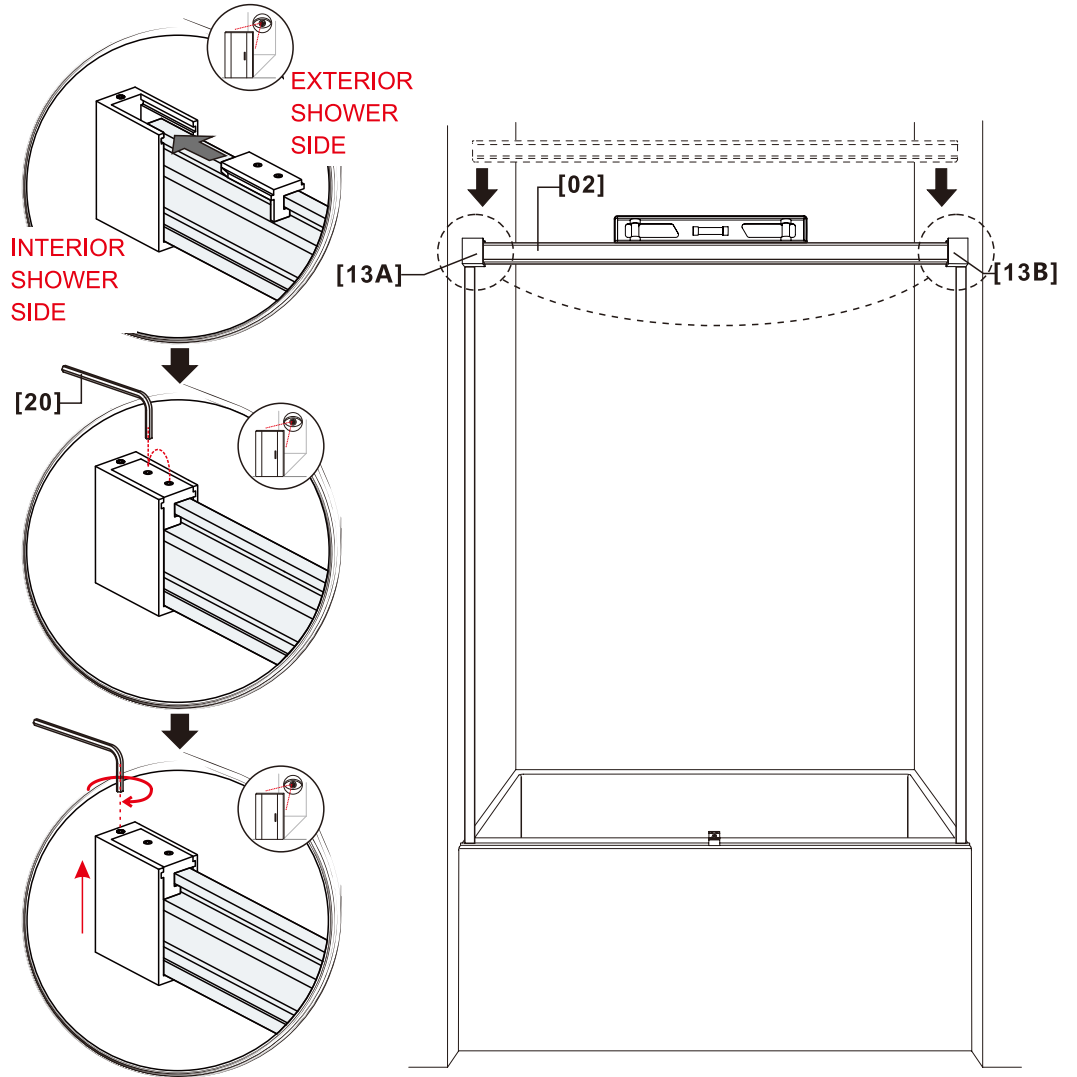


06

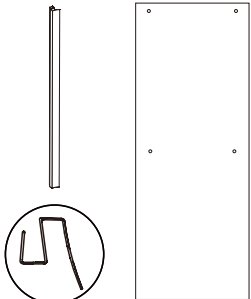


[20] x1 (2.5mm)

1. Level the [02] top rail and insert the [02] top rail onto the [13] wall brackets.
2. Do not forget to insert this part along with [02] top rail into the [13] wall brackets. Using [20] 2.5mm allen key to tighten set screw.



07



[07] x1

[08B] x1

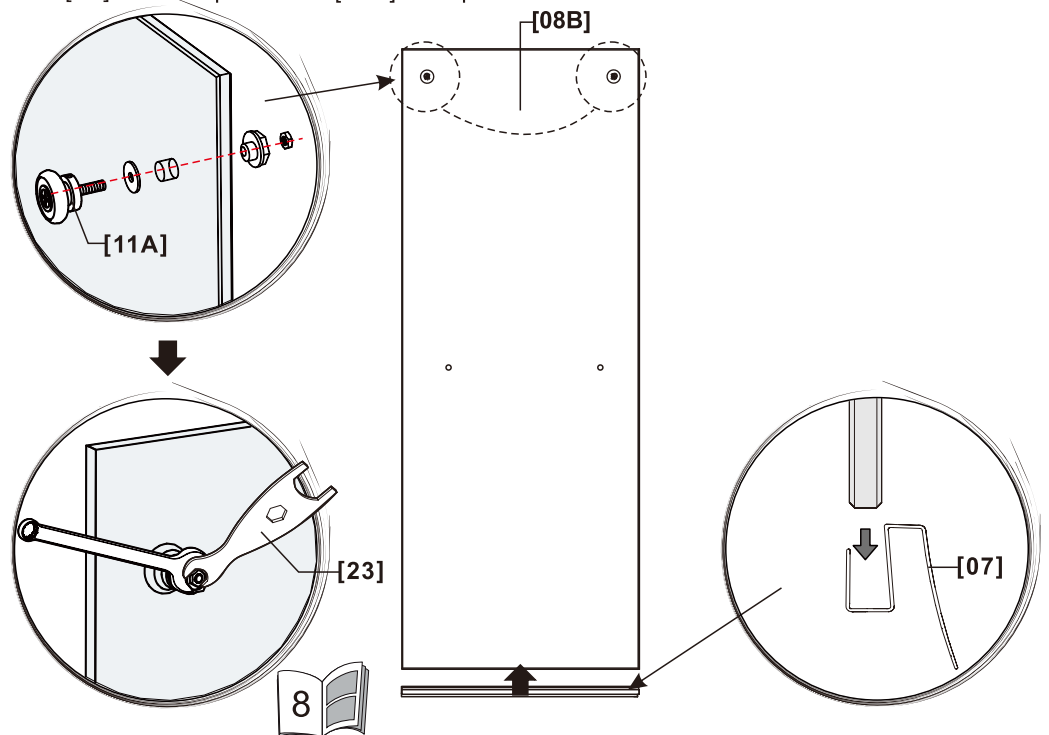


[11A] x2



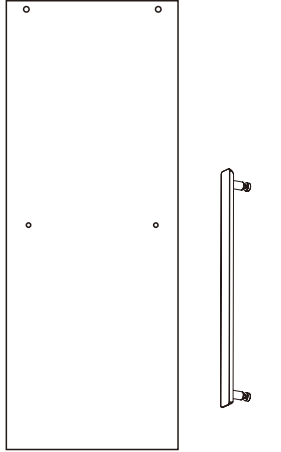
[23] x1

1. Place [11A] interior rollers and plastic nut at the [08B] interior door panel as shown.
2. Tighten metal nut on [11A] exterior rollers using [23] wrench. It may be necessary to use an adjustable wrench on the plastic nut to hold in place while tightening metal nut.
3. Insert [07] door strip onto the [08B] door panel.

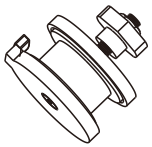


08

1. Tighten metal nut on roller using [23] wrench. It may be necessary to use an adjustable wrench on the plastic nut to hold in place while tightening metal nut.
2. Hang [08A] exterior door panel onto [02] top rail from outside of shower and place metal covers back onto [11A] exterior rollers, insert Hex Allen screw and tighten using [20] 2.5mm allen key.
3. Unscrew both threaded nuts from [09] handle set and separate parts as illustrated. Install handle on the inside of [09A] [08B] door panel and place the threaded nut through hole in glass from outside of door panel, ensuring plastic spacer is over threads of nut and contacting glass. Place [09] handle to threaded nut while also ensuring the second plastic spacer on [09] handle side is contacting the glass panel on the inside. Screw into place. CAUTION: Ensure that the 2 plastic spacers are between the glass panel or damage to the glass door can occur.
4. Insert [08A] [08B] door panels into [17] bottom guide in order.



[08A] x1 [09] x2



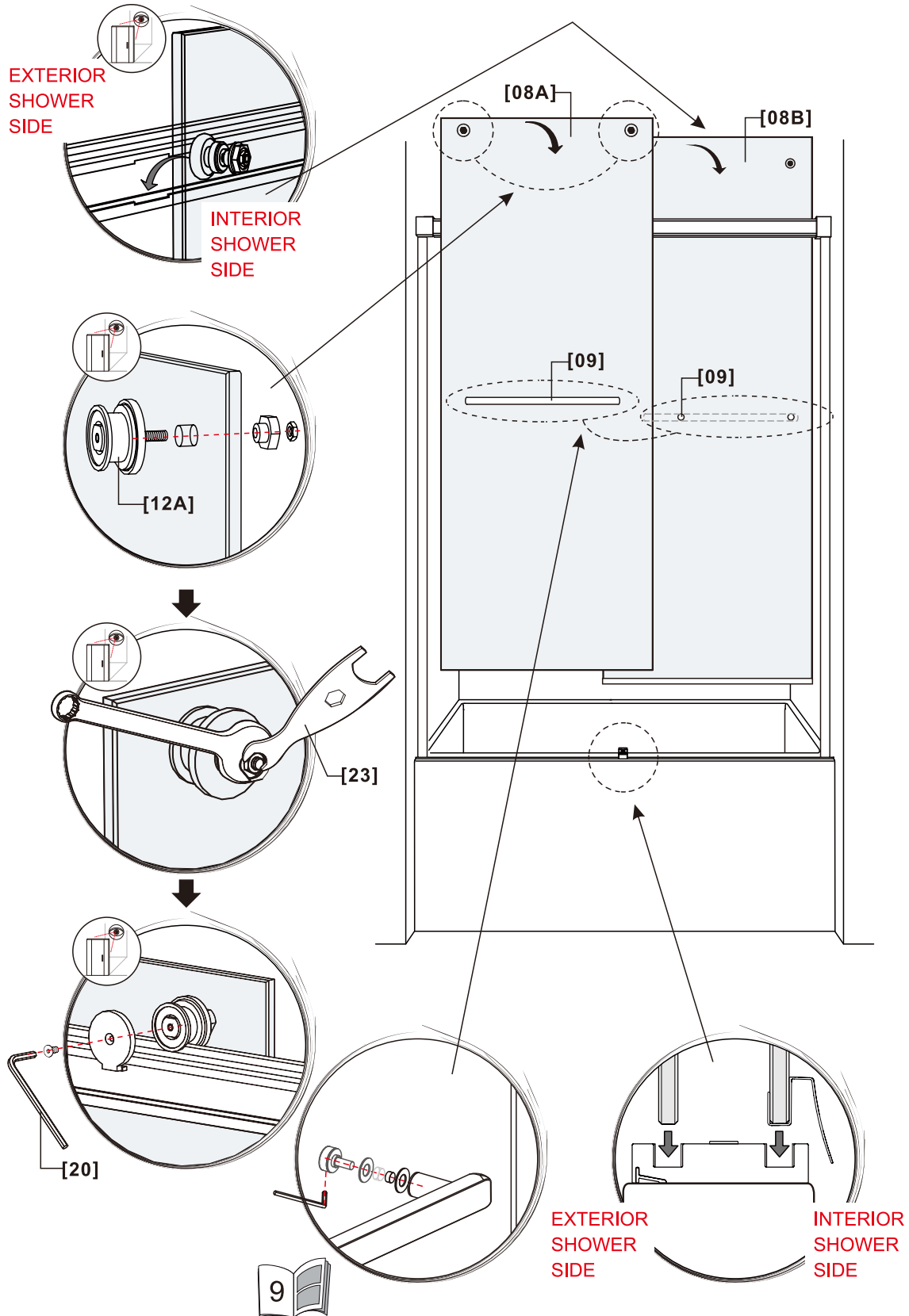
[12A] x2



[20] x1 (2.5mm)

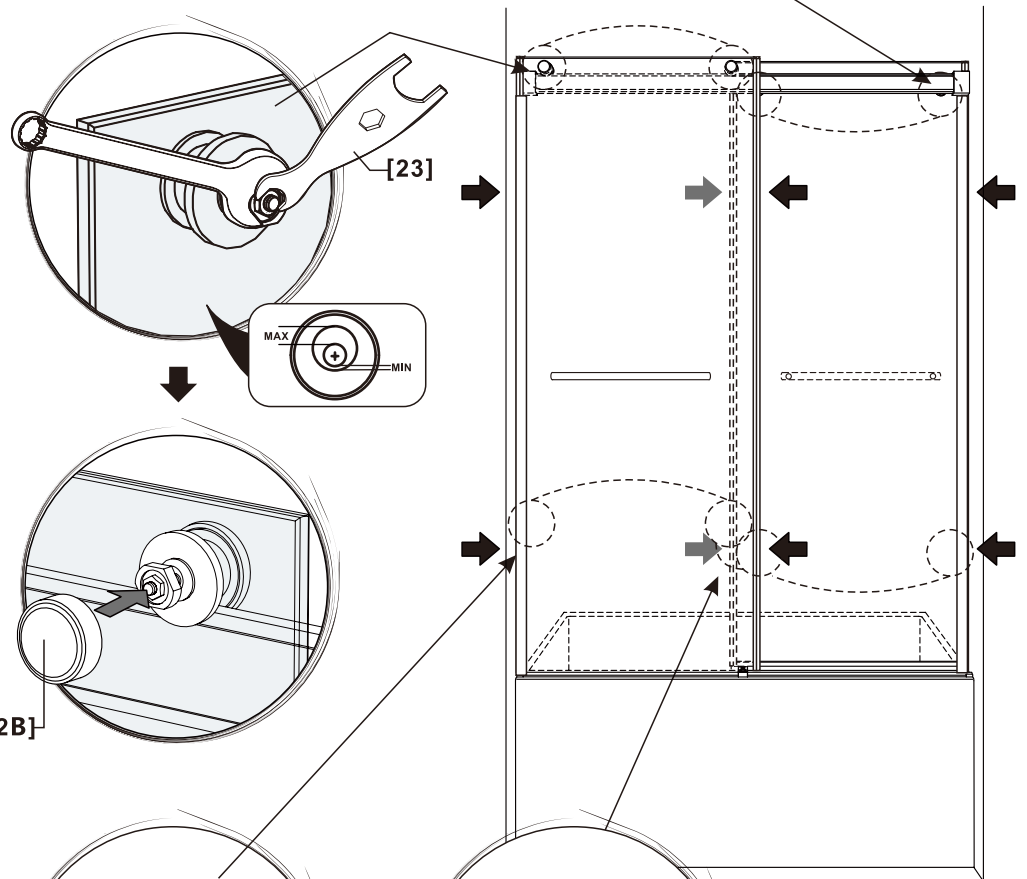
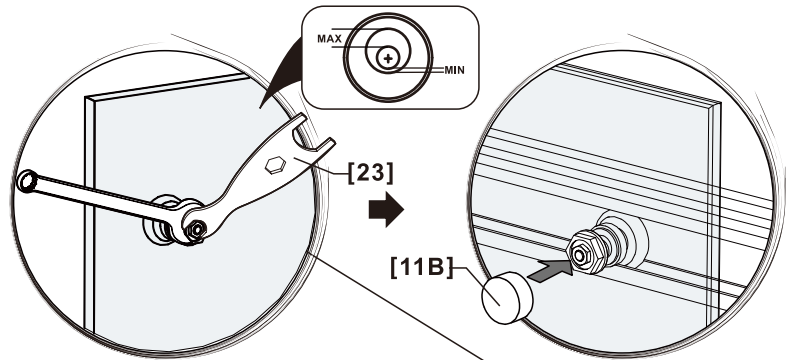
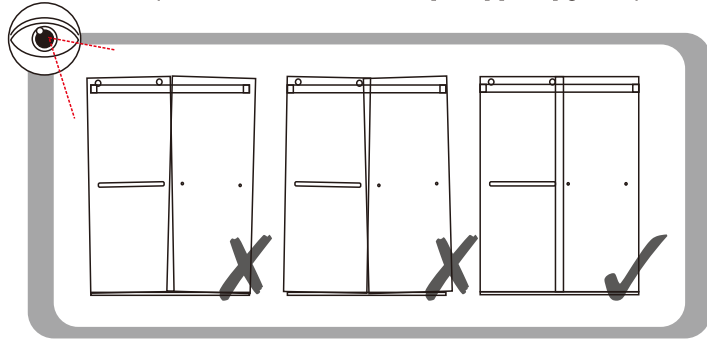


[23] x1



09

1. See if [08A] [08B] door panels are perpendicular to the floor, if not, adjust the rollers to make them perpendicular.
2. Insert [05] shower door strips onto both side of the [08A] [08B] glass panel.



[05] x4



[11B] x2



[12B] x2



[23] x1

[12B]

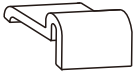
[05]

10

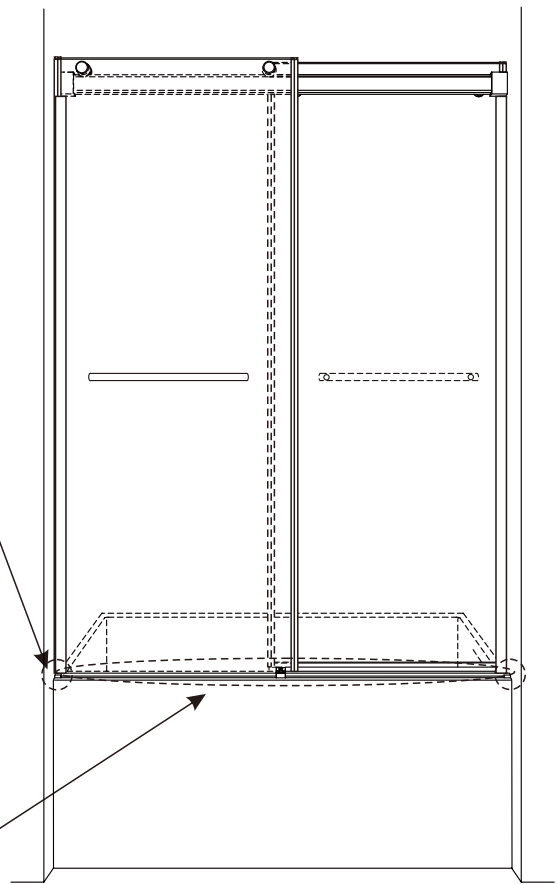
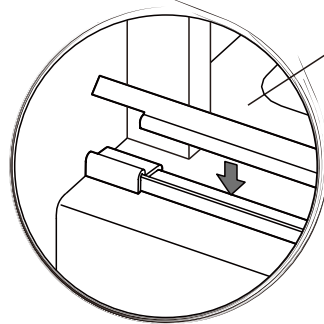
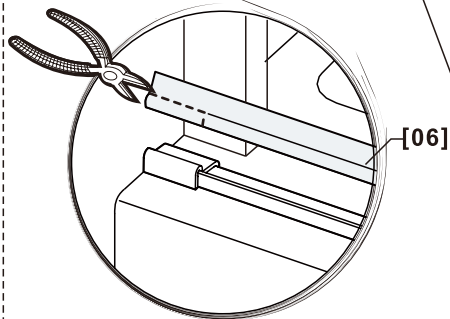
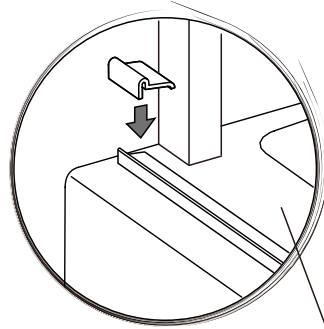
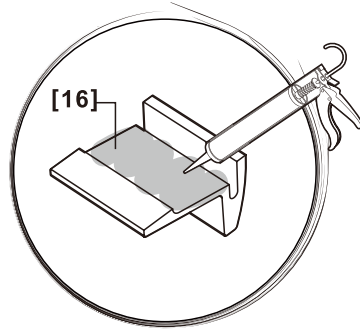
1. Apply a small amount of adhesive to the underside of left and right [16] end caps.
2. Place left and right [16] end caps over left and right side of [03] threshold and adjust [16] end caps until it contacts the side of tub or shower wall.
3. Cut out [06] strip with scissors to match [16] end caps.
4. Insert the [06] strip into the [03] threshold.



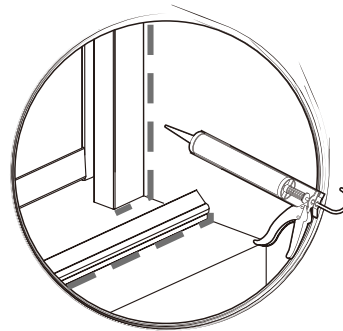
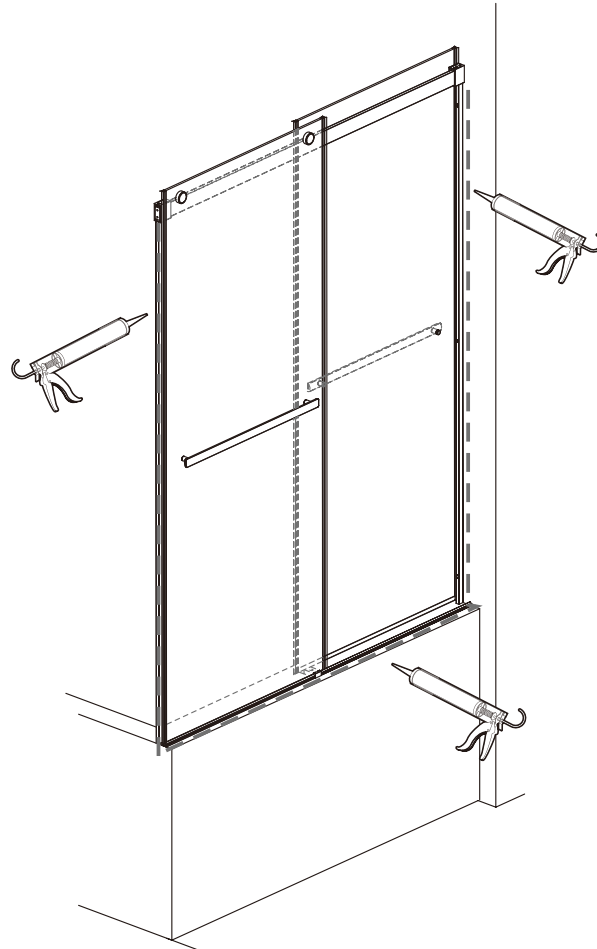
[06] x1



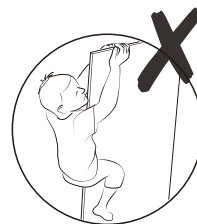
[16] x2



Apply an appropriate amount of glass glue to the area marked with a red dotted line.
Attention: Be sure to apply only to the gaps.



Attention: Keep away from water 24 hours or less.



In the meantime, do not use it.