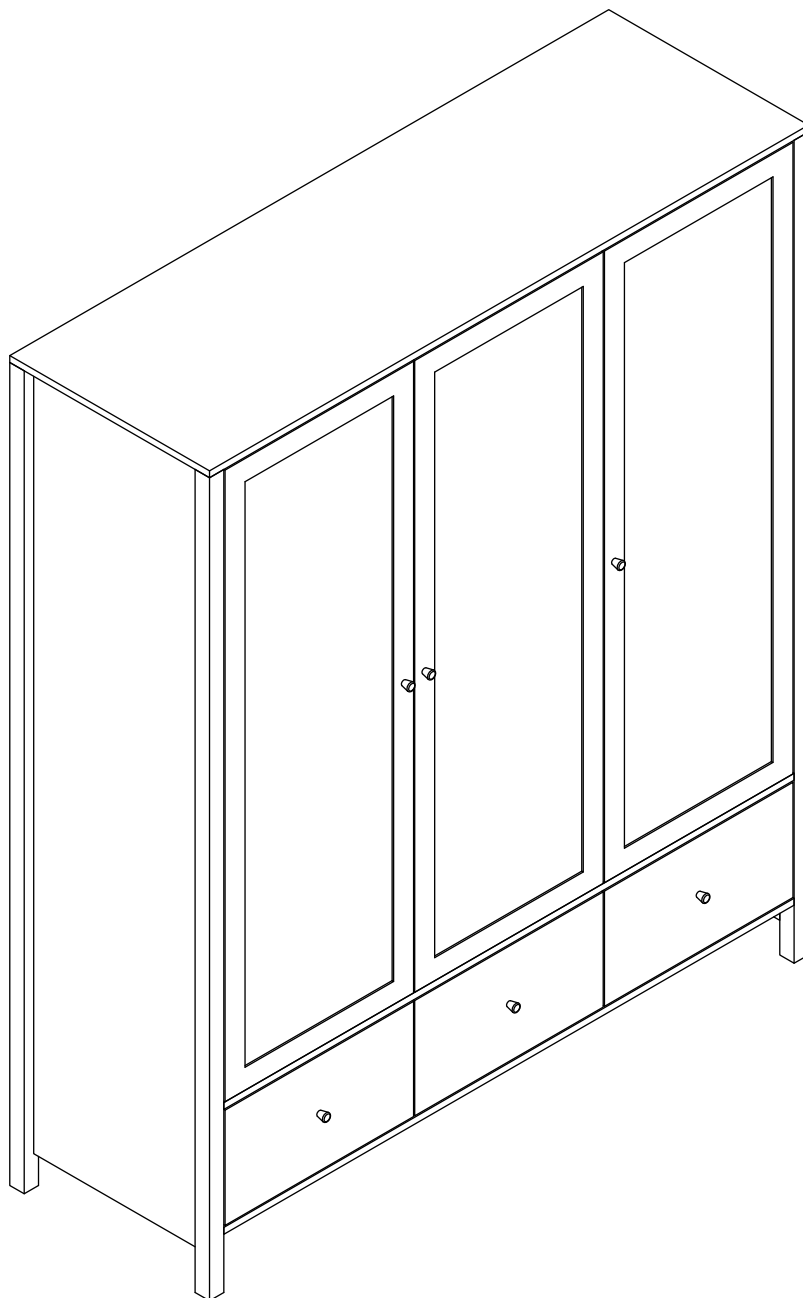


Instruction manual
3 Door Wardrobe



CONTENTS

| | |
|------------------------|----|
| Safety and care advice | 1 |
| Components | 2 |
| Assembly instructions | 4 |
| Copyright | 21 |

⚠ SAFETY AND CARE ADVICE ⚠

PLEASE READ THESE INSTRUCTIONS CAREFULLY AND KEEP FOR FUTURE REFERENCE

- **Warning:** Please lift with care.
- Check you have all the components and tools listed on pages 2 and 3.
- Remove all fittings from the plastic bags and separate them into their groups.
- Keep children and animals away from the work area, small parts could choke if swallowed.
- Make sure you have enough space to lay out the parts before starting.
- Do not stand or put weight on the product, this could cause damage.
- Assemble the item as close to its final position (in the same room) as possible.

- Assemble on a soft level surface to avoid damaging the unit or your floor (use opened out unit carton).



- We do not recommend the use of power drill/drivers **for inserting screws**, as this could damage the unit. Only use hand screwdrivers.
- Dispose of all packaging carefully and responsibly.

CARE AND MAINTENANCE

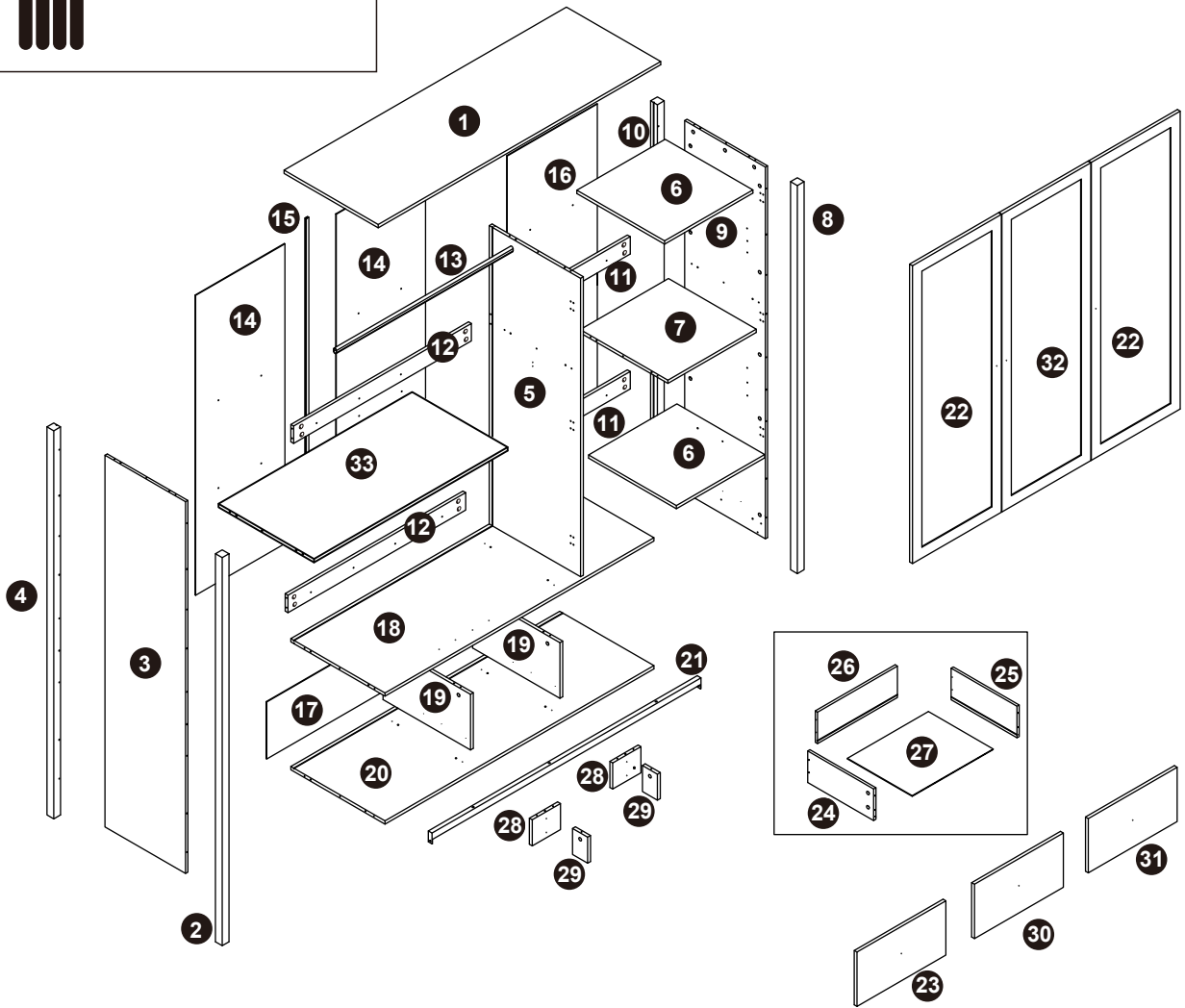
- Only clean using a damp cloth and mild detergent, do not use bleach or abrasive cleaners.
- From time to time check that there are no loose screws on this unit.

- This product should not be discarded with household waste. Take to your local authority waste disposal center.

Note *If required the next page can be cut out and used as reference throughout the assembly. Keep this page with these instructions for future reference.*

COMPONENTS

Ensure the following components are in the box before proceeding with assembly:








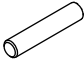

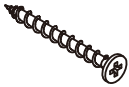













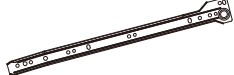







PANEL LIST

| | | | | | | | | |
|-----------|----------------------|----|-----------|-------------------|----|-----------|---------------------------|----|
| 1 | Top Panel | x1 | 12 | Back Rail | x2 | 23 | Drawer Left Front Panel | x1 |
| 2 | Left Side Front Leg | x1 | 13 | Hanging Rail | x1 | 24 | Drawer Left Side Panel | x3 |
| 3 | Left Side Panel | x1 | 14 | Back Panel | x2 | 25 | Drawer Right Side Panel | x3 |
| 4 | Left Side Back Leg | x1 | 15 | Back Panel Strip | x1 | 26 | Drawer Back Panel | x3 |
| 5 | Middle Side Panel | x1 | 16 | Back Panel | x1 | 27 | Drawer Bottom Panel | x3 |
| 6 | Shelf | x2 | 17 | Back Panel | x1 | 28 | Middle leg | x2 |
| 7 | Top Shelf | x1 | 18 | Bottom Shelf | x1 | 29 | Middle leg | x2 |
| 8 | Right Side Front Leg | x1 | 19 | Middle Side Panel | x2 | 30 | Drawer Middle Front Panel | x1 |
| 9 | Right Side Panel | x1 | 20 | Bottom Panel | x1 | 31 | Drawer Right Front Panel | x1 |
| 10 | Right Side Back Leg | x1 | 21 | Tube | x1 | 32 | Middle door | x1 |
| 11 | Back Rail | x2 | 22 | Door | x2 | 33 | Top Shelf | x1 |

COMPONENTS — FITTINGS

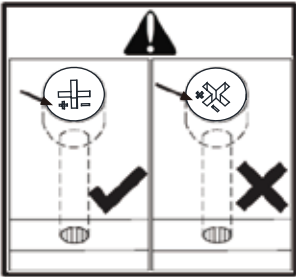
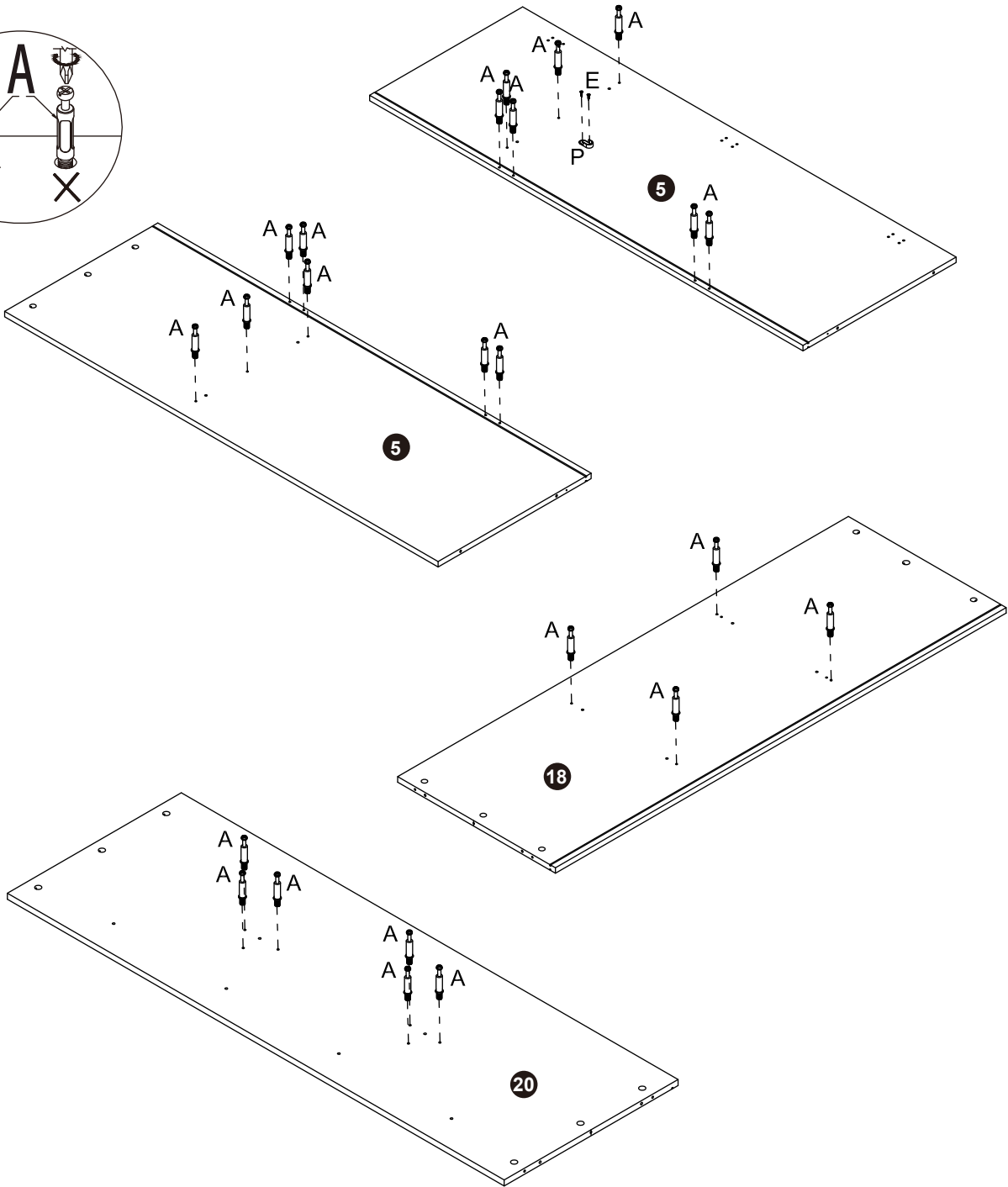
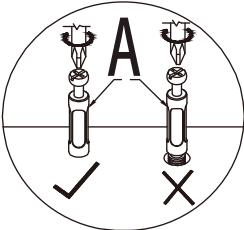
Please check you have all the fittings listed below:

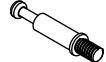


| | | | | | |
|---|---|---|---|----|---|
| A |  | J |  | T |  |
| | Peg M6*35mm x91 | | Wall Bracket x2 | | Catch Plate x6 |
| B |  | K |  | U |  |
| | Lock M15*10mm x91 | | Screw M4*12mm x4 | | Magnetic Catch x6 |
| C |  | L |  | V |  |
| | Dowel M6*30mm x50 | | Shelf Support x8 | | Screw M3.5*12mm x18 |
| D |  | M |  | W |  |
| | Screw M4*35mm x16 | | Hinge x3 | | Screw M3*14mm x12 |
| E |  | N |  | X |  |
| | Screw M3.5*10mm x40 | | Hinge x6 | | Anti-Slip Pads x4 |
| F |  | O |  | Y |  |
| | Handle x6 | | Screw M4*12mm x54 | | Anti-Slip Pads x2 |
| G |  | P |  | CL |  |
| | Screw M4*18mm x6 | | Support Holder x2 | | Drawer Runner x3 |
| H |  | Q |  | CR |  |
| | Screw M3*14mm x30 | | Bolt M6*40mm x3 | | Drawer Runner x3 |
| I |  | R |  | DL |  |
| | Panel Stiffener x30 | | Allen Key x1 | | Drawer Runner x3 |
| | | S |  | DR |  |
| | | | Screw M4*40mm x6 | | Drawer Runner x3 |



ASSEMBLY INSTRUCTIONS

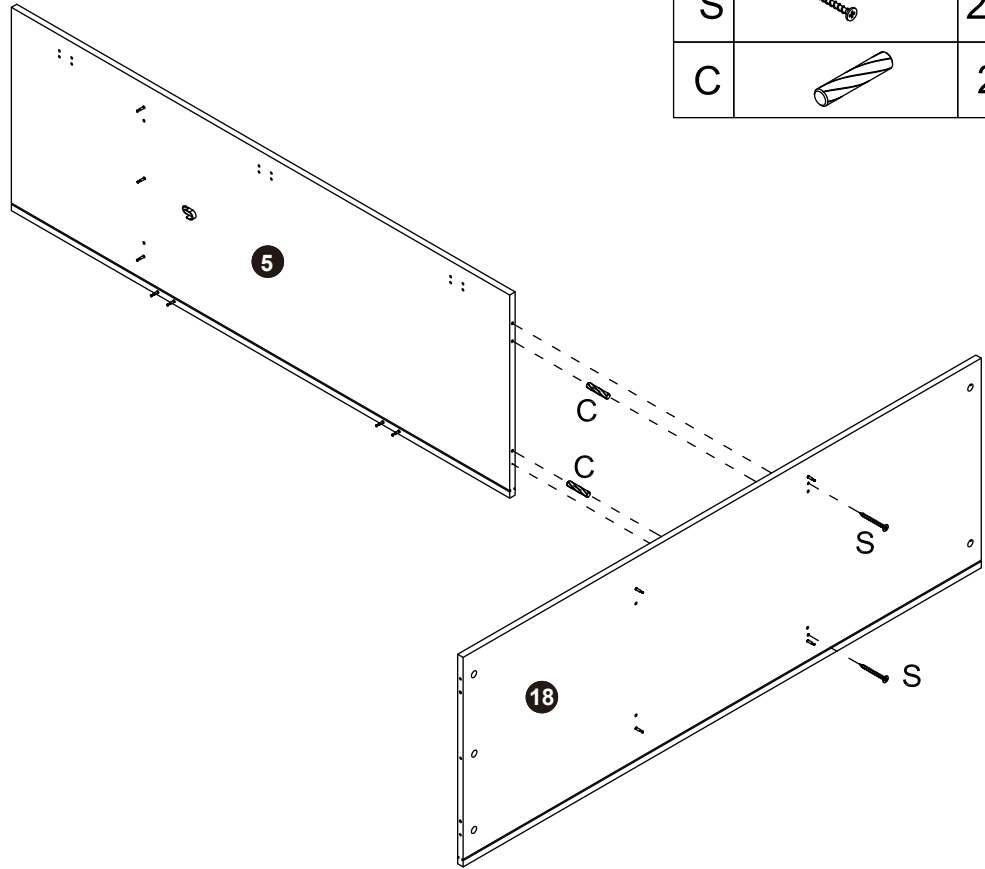
Step 1


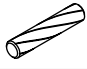


| | | | | | |
|---|---|---|---|---|----|
| | | | A |  | 24 |
| P |  | 1 | E |  | 2 |

ASSEMBLY INSTRUCTIONS

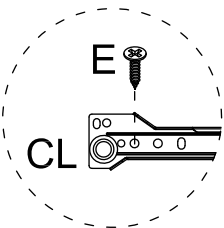
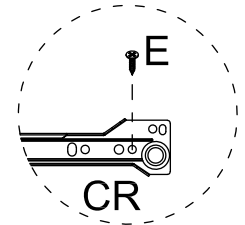
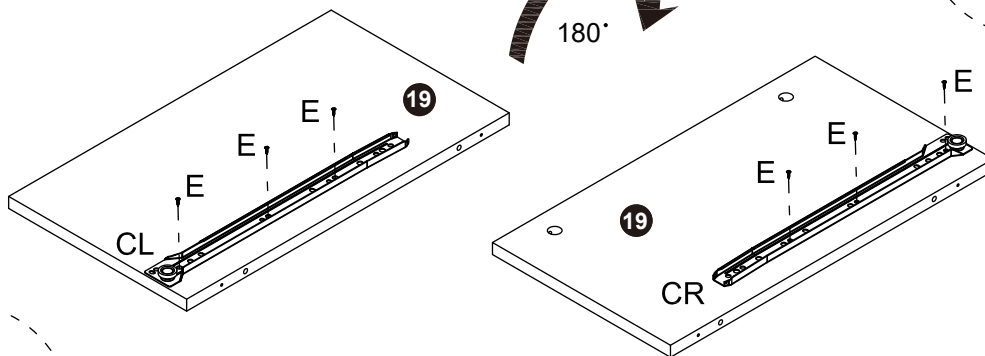
Step 2






| | | |
|---|---|---|
| S |  | 2 |
| C |  | 2 |

Step 3

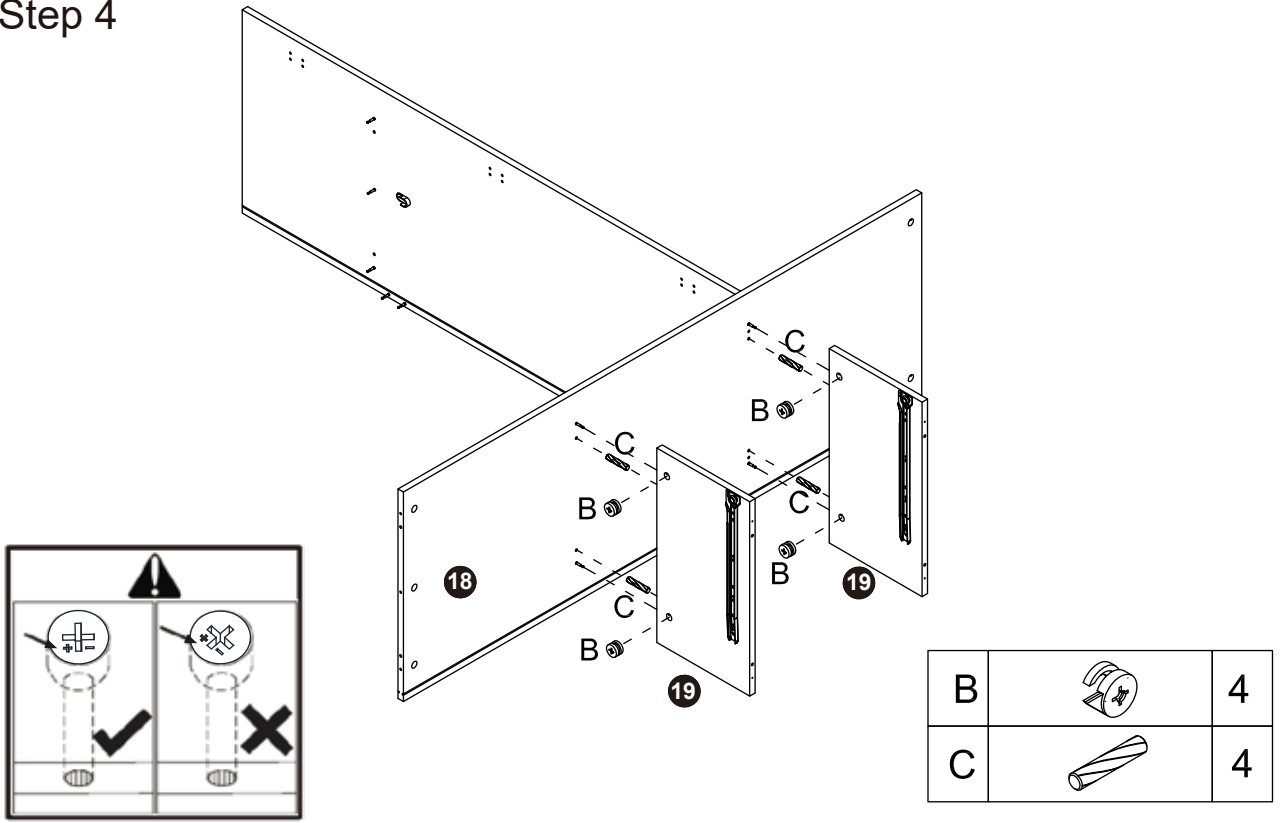
x2



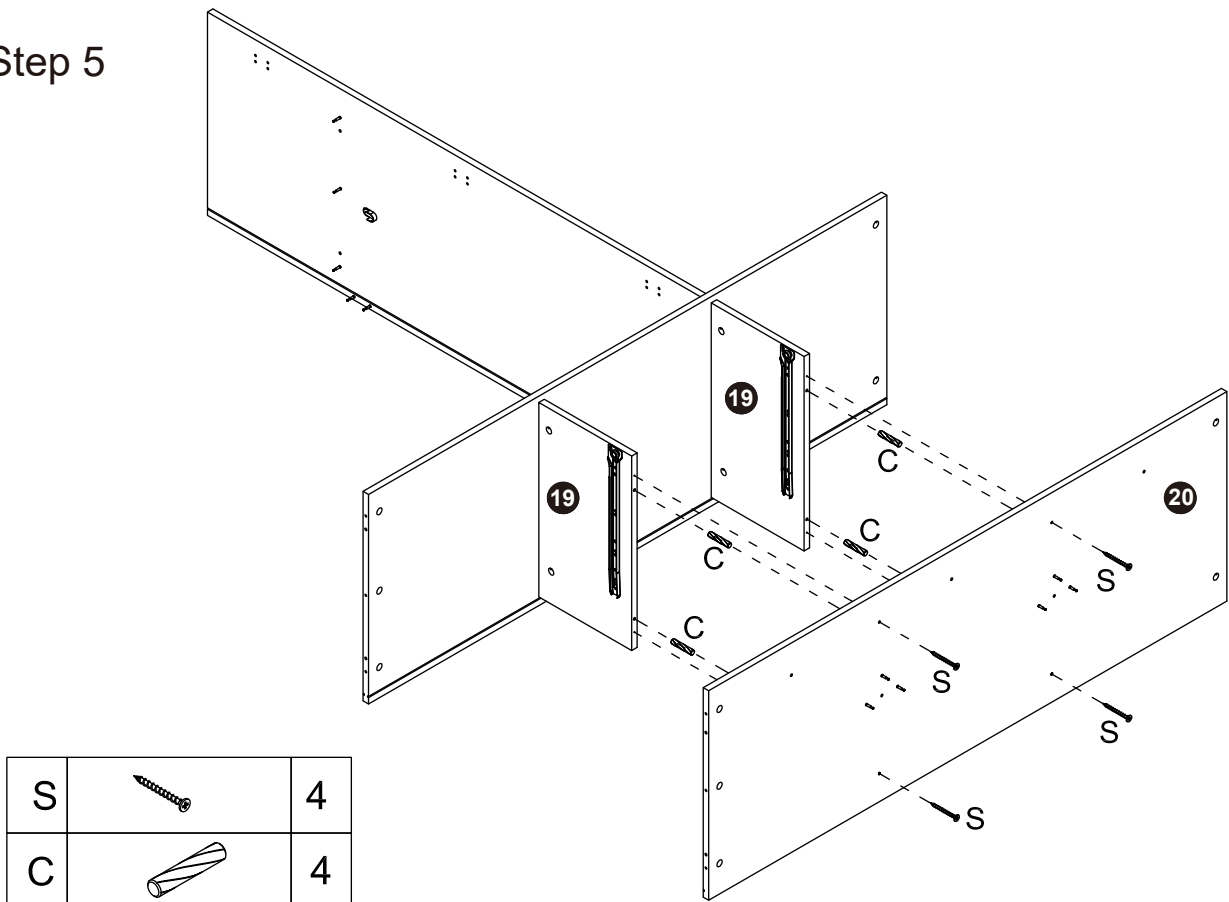
| | | |
|----|---|----|
| CL |  | 2 |
| CR |  | 2 |
| E |  | 12 |

ASSEMBLY INSTRUCTIONS

Step 4

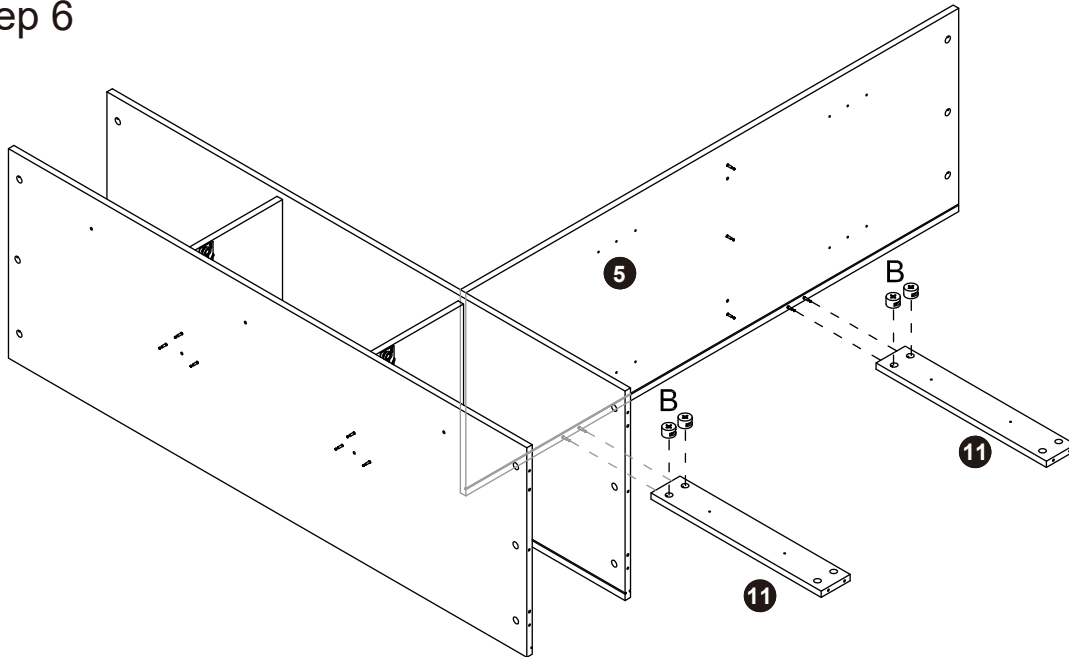



Step 5



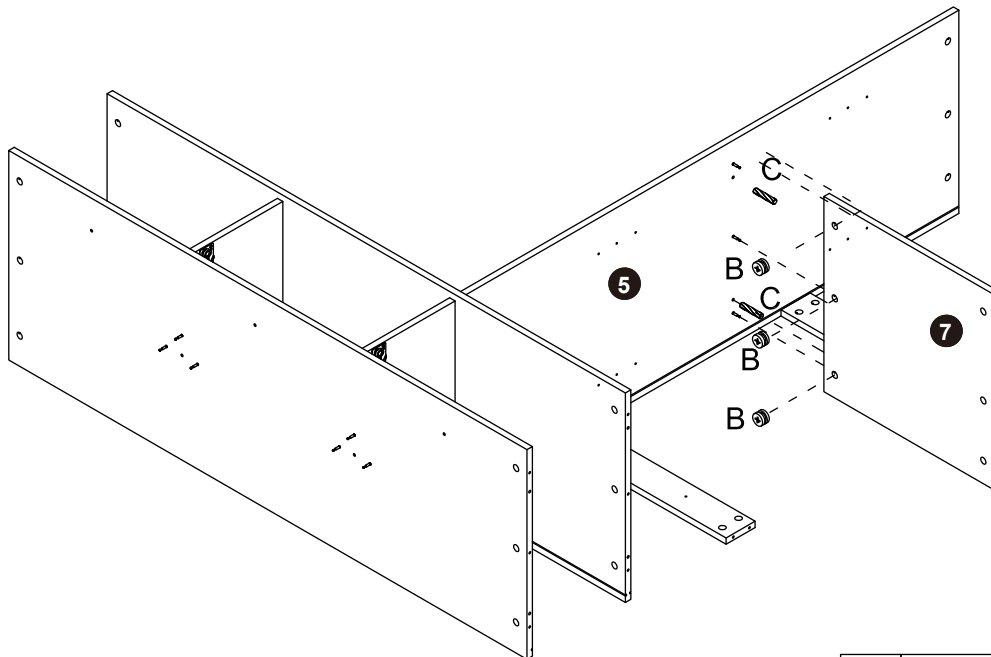
ASSEMBLY INSTRUCTIONS



Step 6



| | | |
|---|--|---|
| B |  | 4 |
|---|--|---|

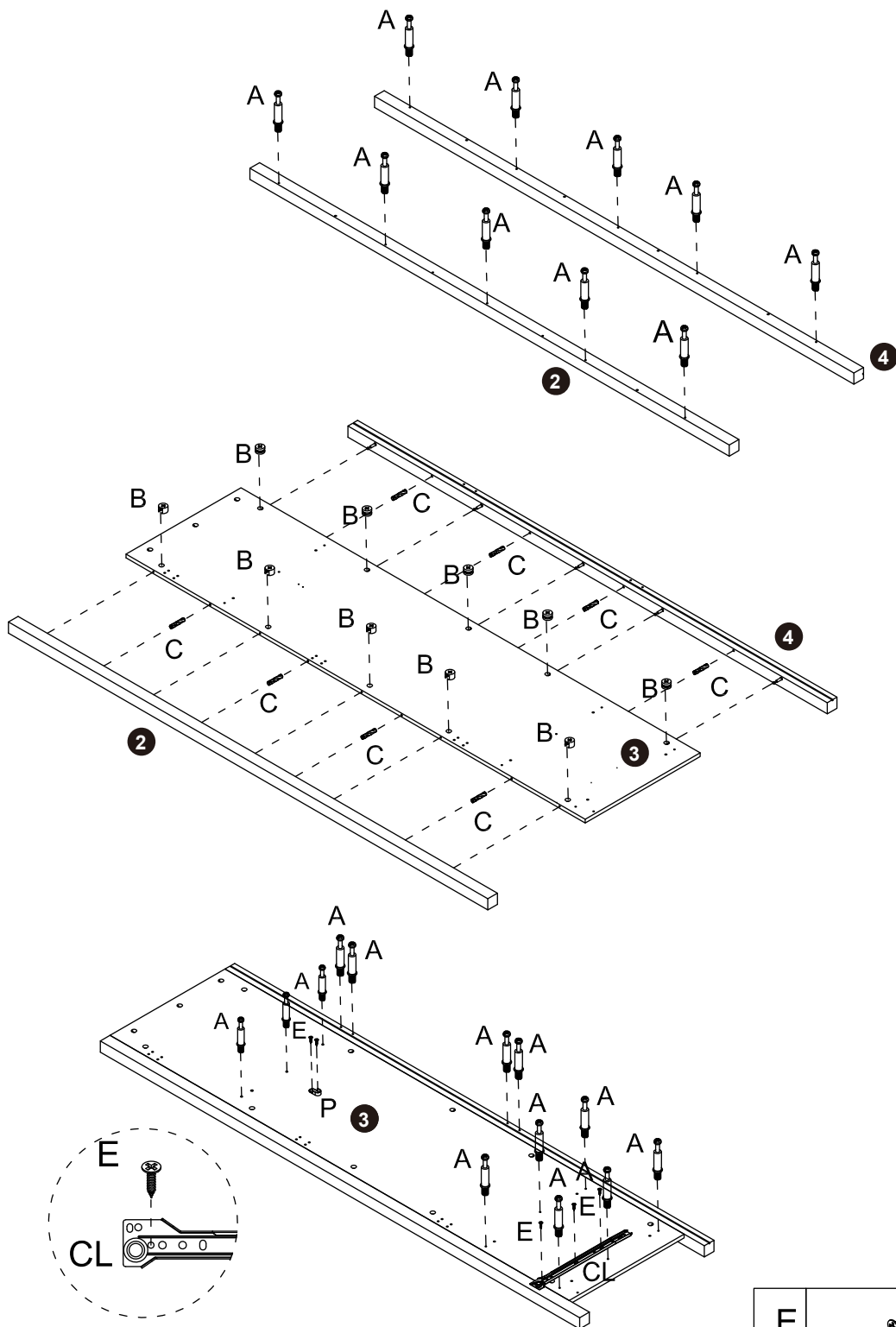
Step 7





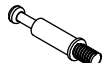



| | | |
|---|---|---|
| B |  | 3 |
| C |  | 2 |

ASSEMBLY INSTRUCTIONS

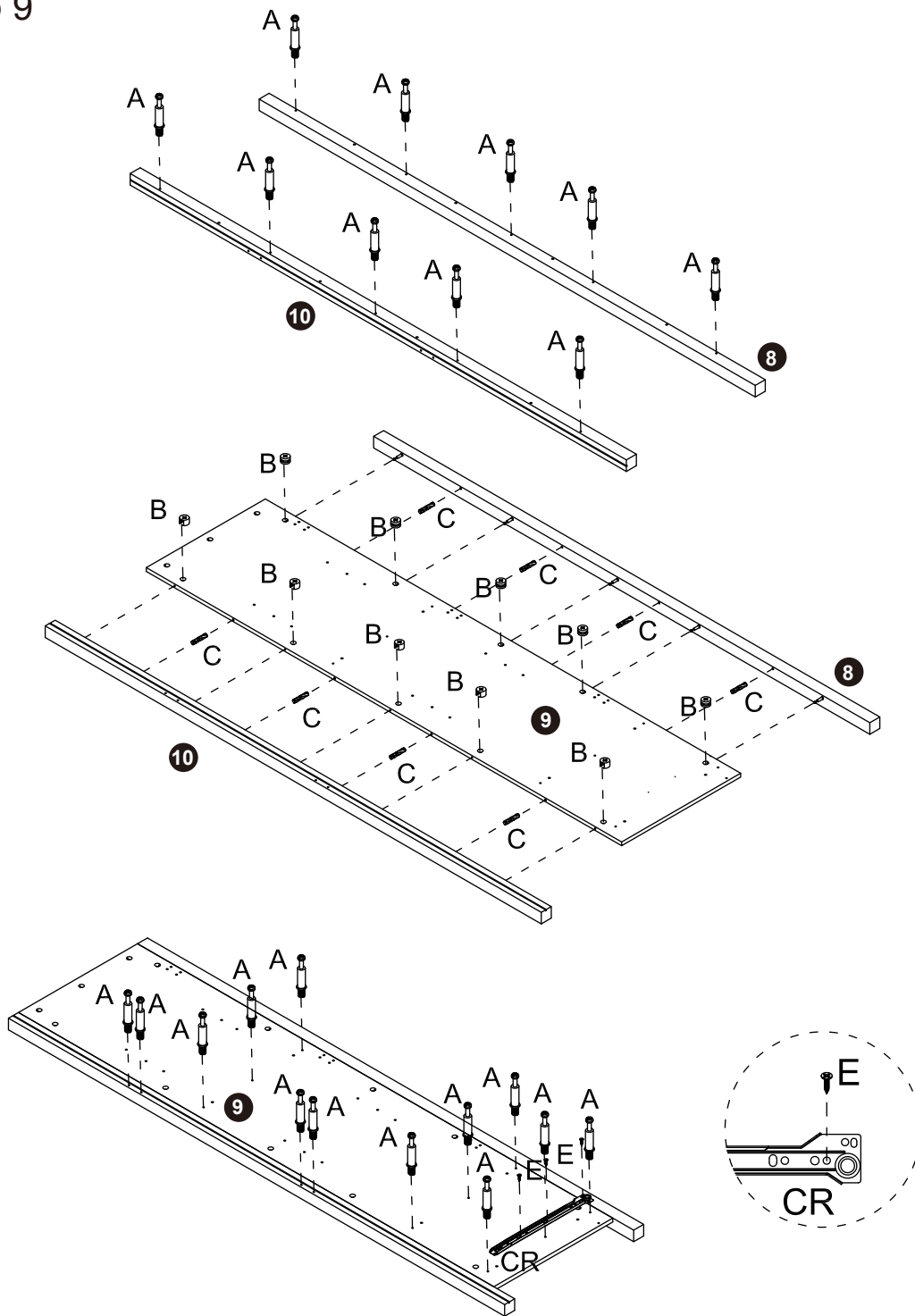
Step 8




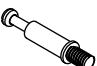
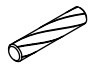


| | | | | | | | | |
|---|---|---|----|---|---|---|---|----|
| | | | | E |  | 5 | | |
| | | | CL |  | 1 | B |  | 10 |
| P |  | 1 | A |  | 23 | C |  | 8 |

ASSEMBLY INSTRUCTIONS

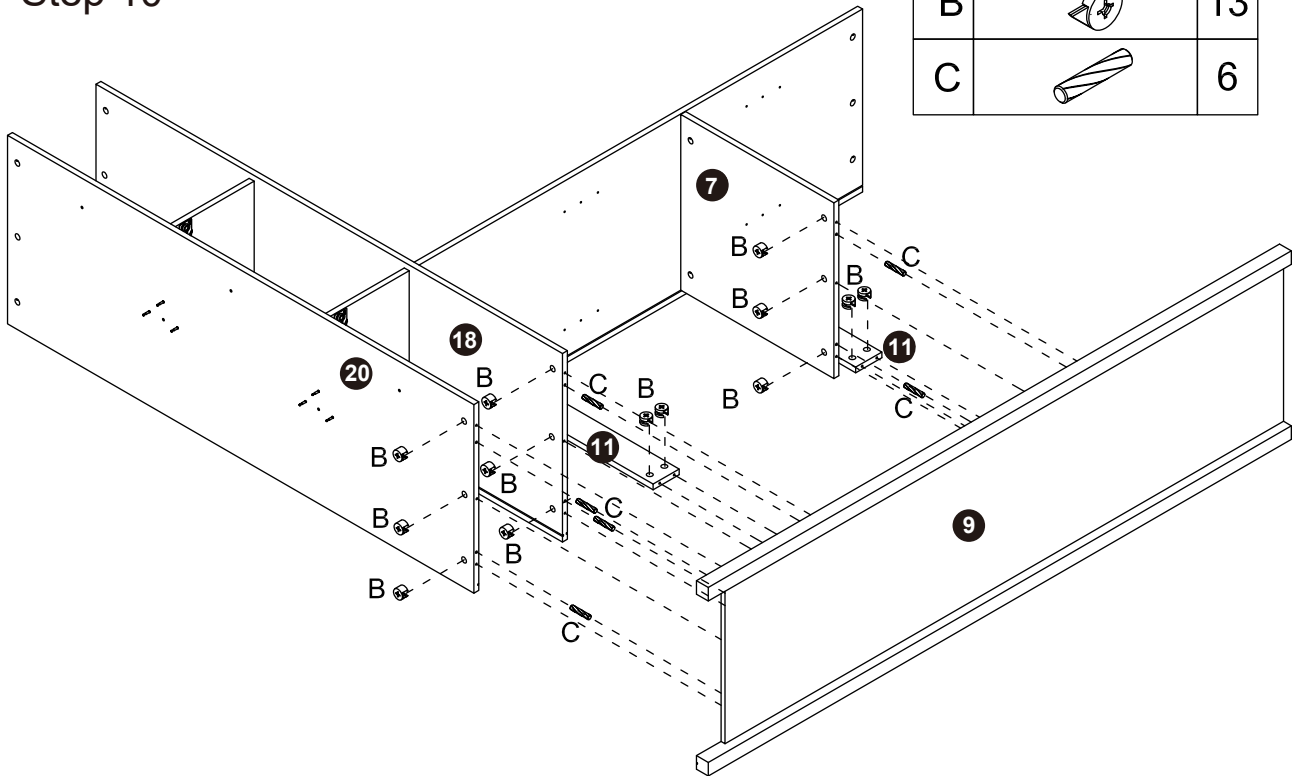
Step 9



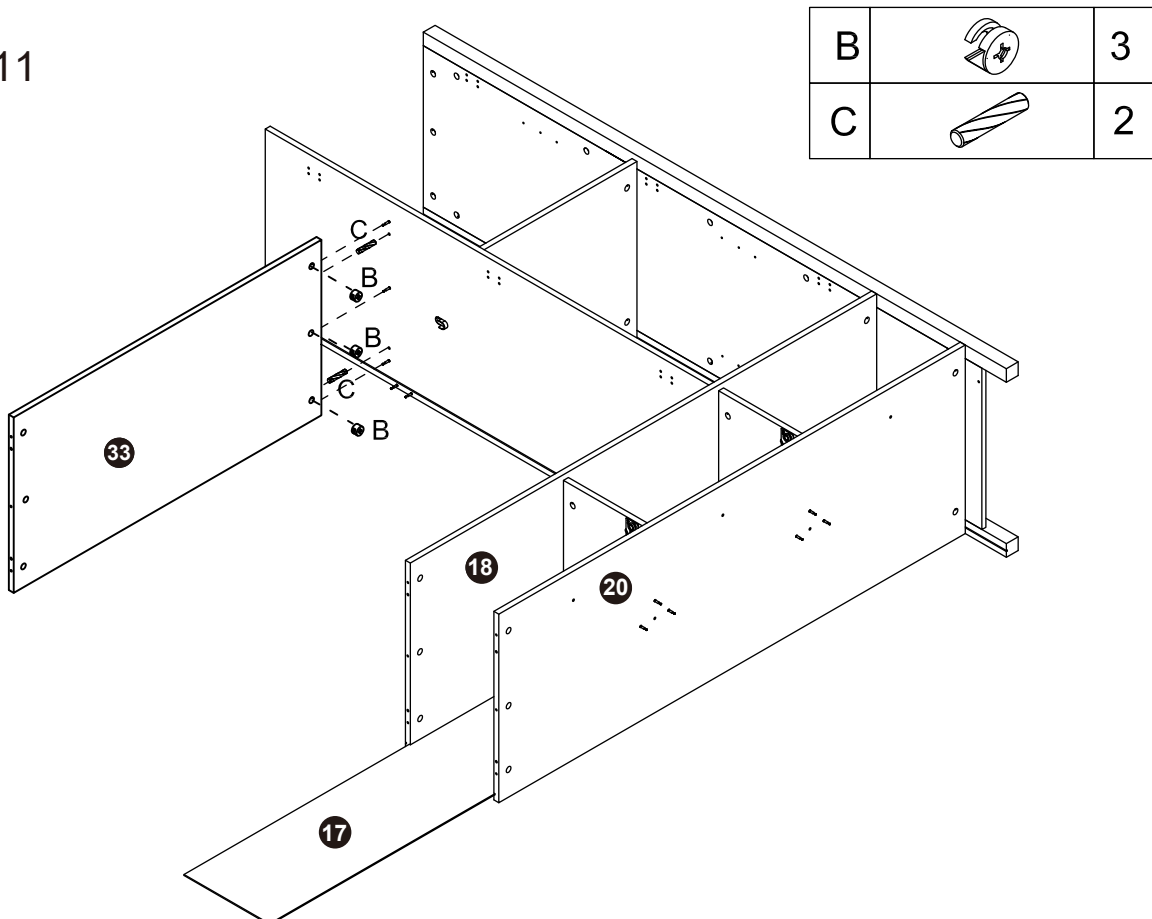
| | | | | | |
|----|---|----|---|---|----|
| | | | E |  | 3 |
| CR |  | 1 | B |  | 10 |
| A |  | 23 | C |  | 8 |

ASSEMBLY INSTRUCTIONS

Step 10

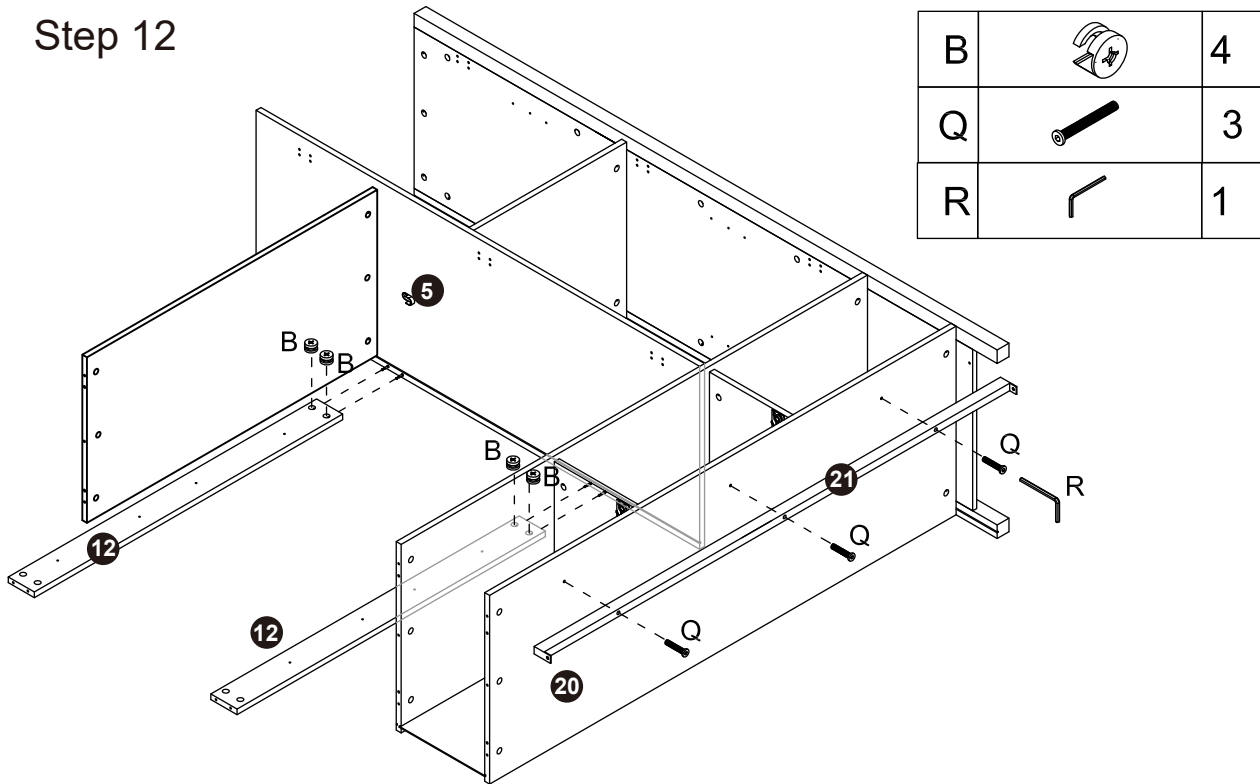


Step 11

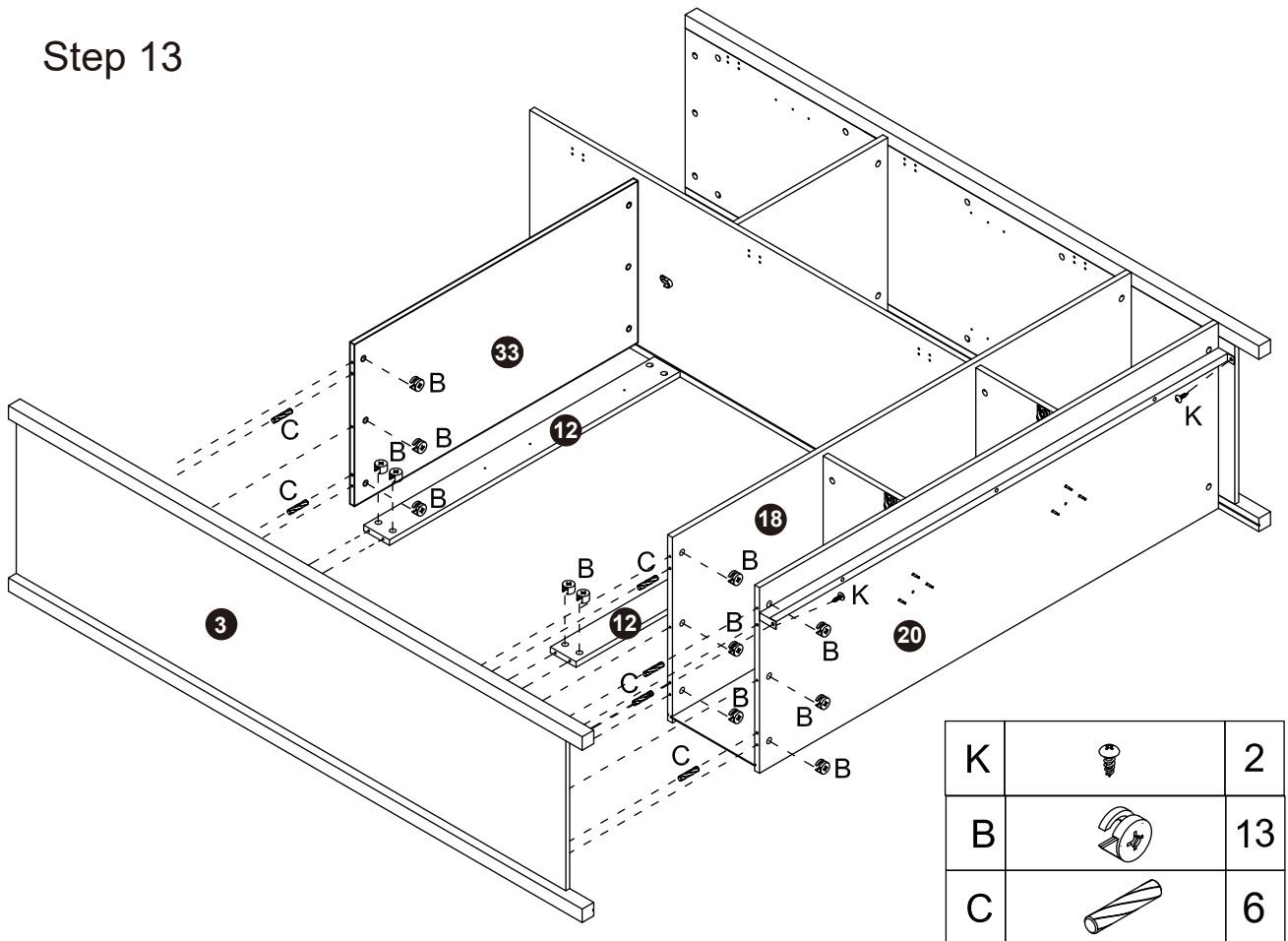


ASSEMBLY INSTRUCTIONS

Step 12

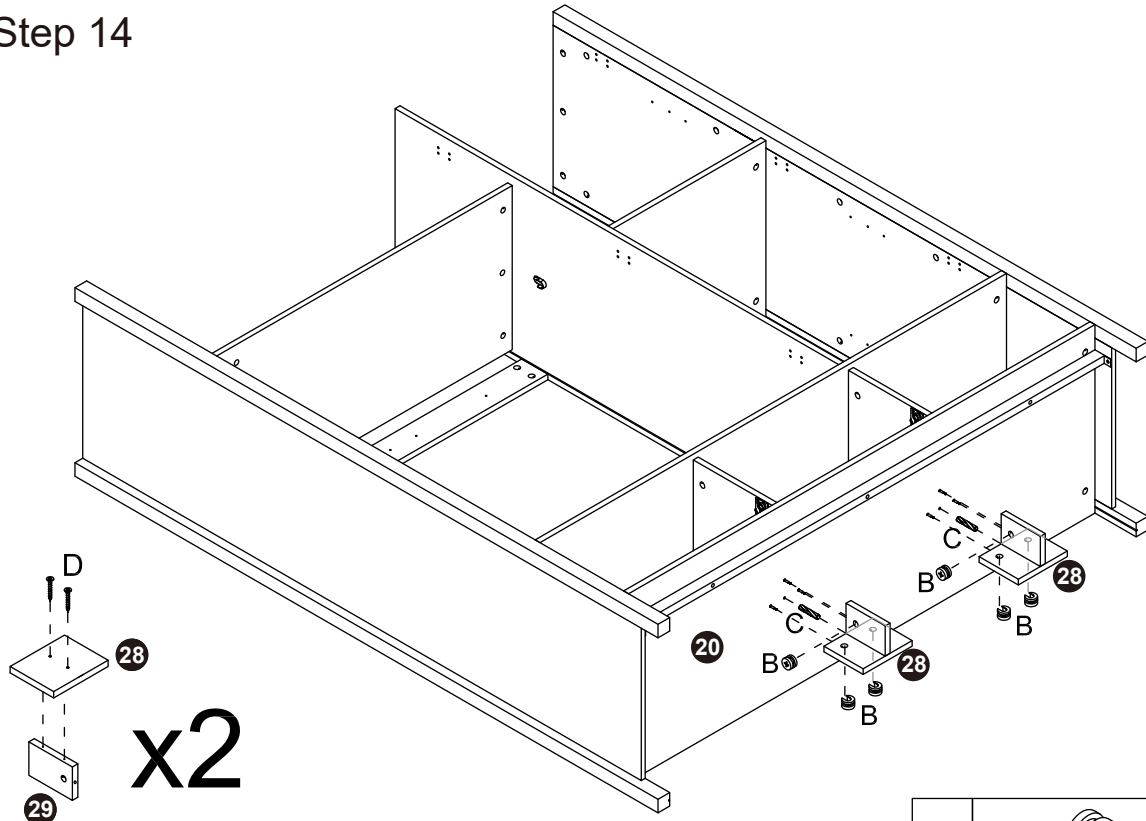


Step 13






ASSEMBLY INSTRUCTIONS

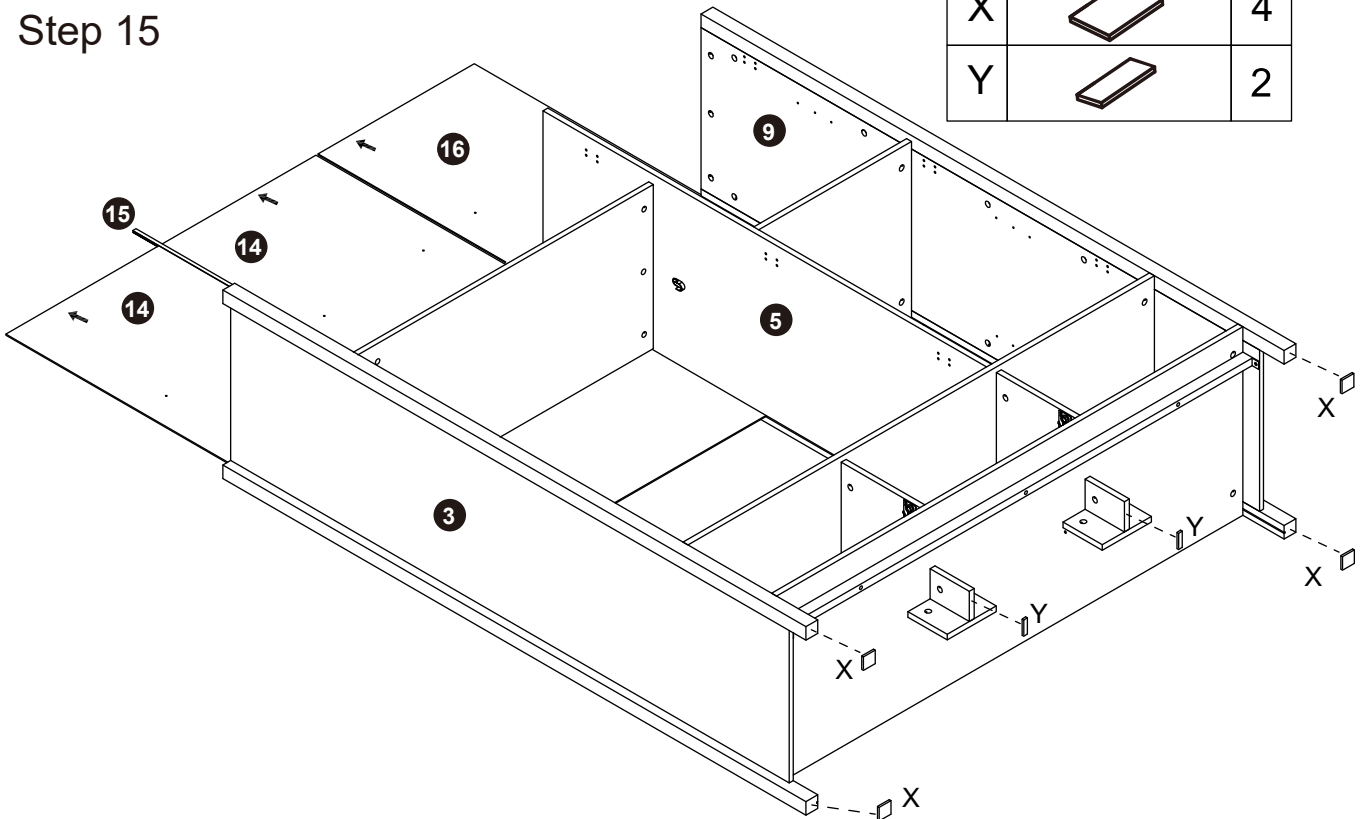
Step 14





x2

| | | |
|---|---|---|
| B |  | 6 |
| D |  | 4 |
| C |  | 2 |

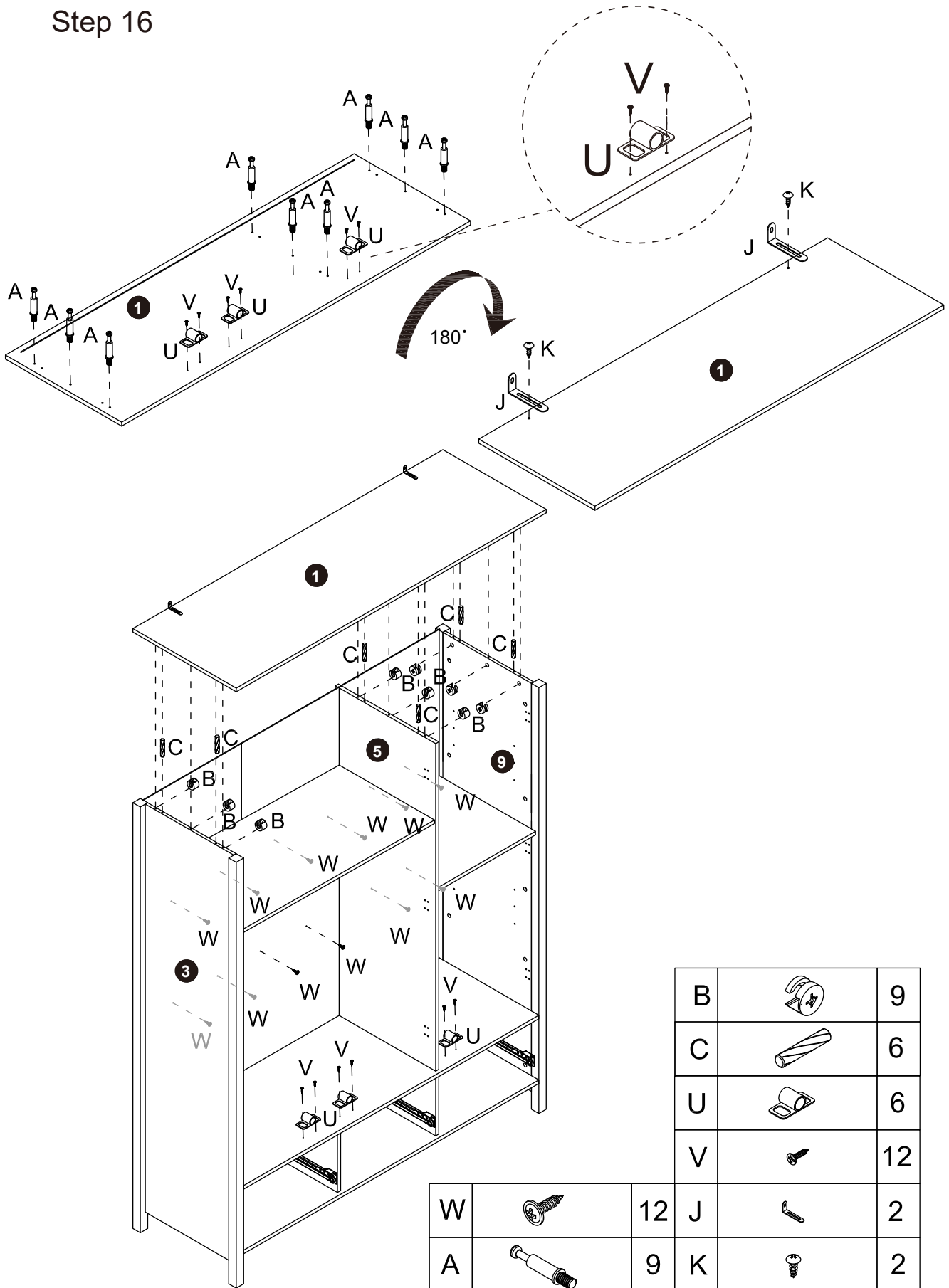
Step 15



| | | |
|---|---|---|
| X |  | 4 |
| Y |  | 2 |

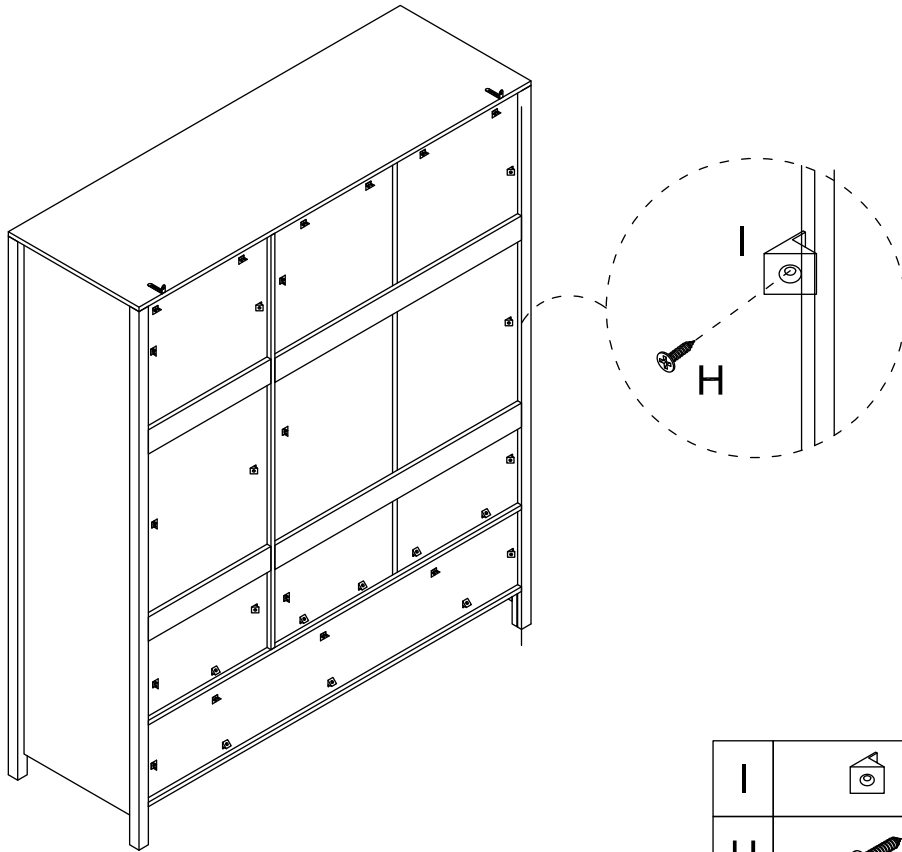
ASSEMBLY INSTRUCTIONS



Step 16



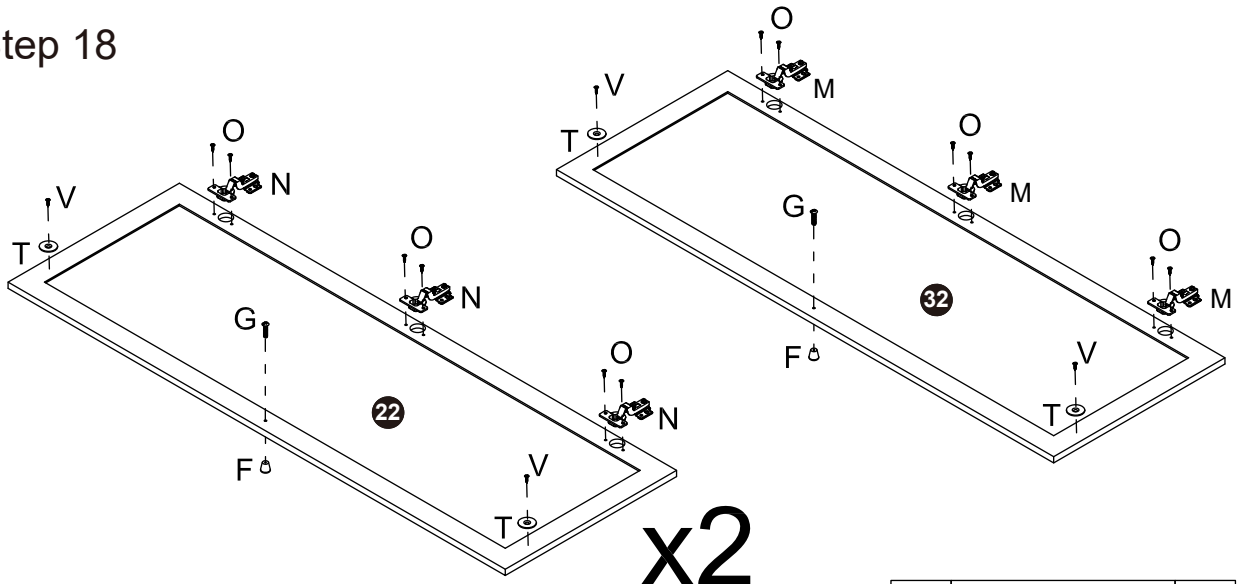
ASSEMBLY INSTRUCTIONS

Step 17










| | | |
|---|---|----|
| I |  | 30 |
| H |  | 30 |

Step 18

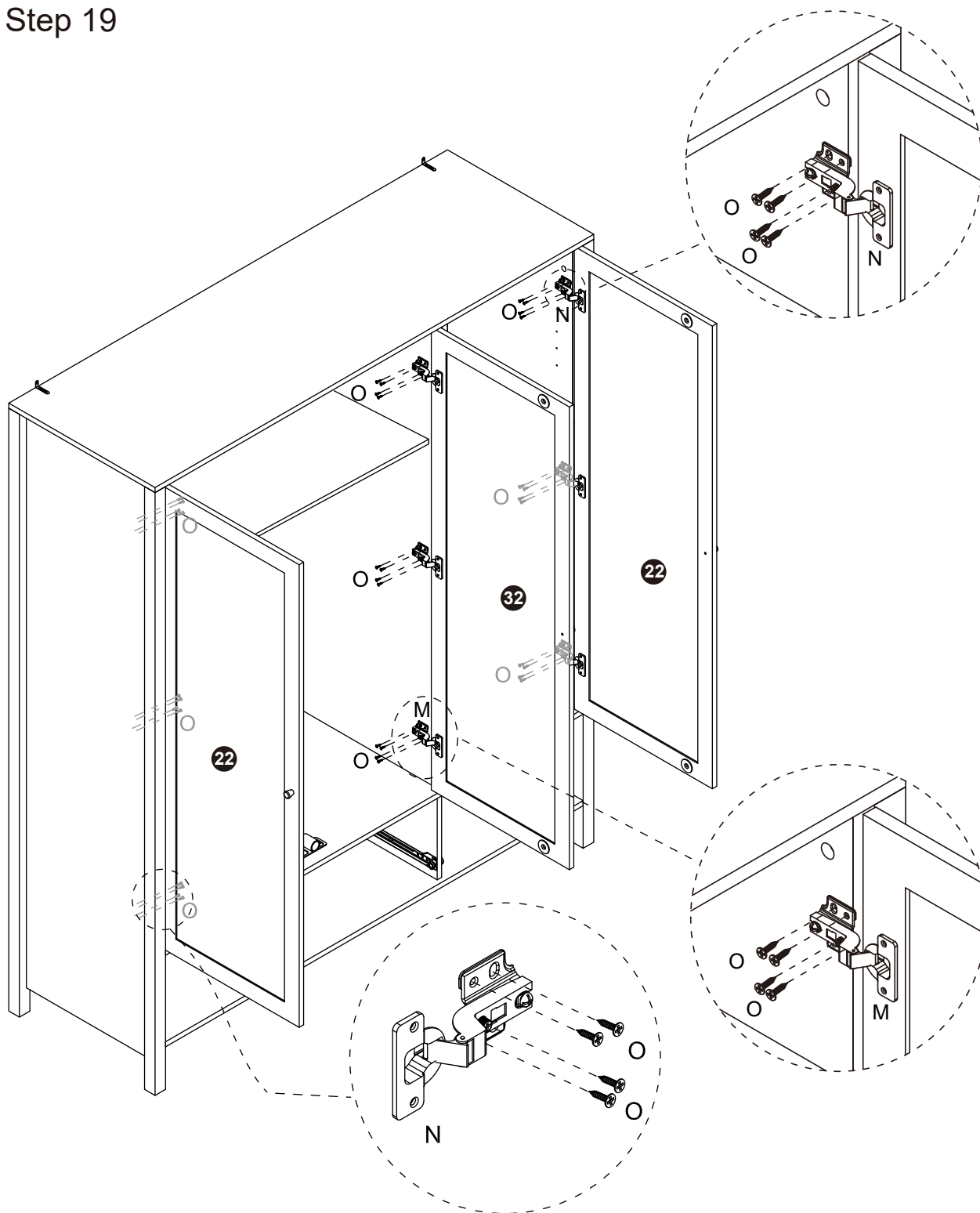


x2

| | | | | | | | | |
|---|---|----|---|---|---|---|---|---|
| | | | | M |  | 3 | | |
| O |  | 18 | V |  | 6 | G |  | 3 |
| N |  | 6 | T |  | 6 | F |  | 3 |

ASSEMBLY INSTRUCTIONS

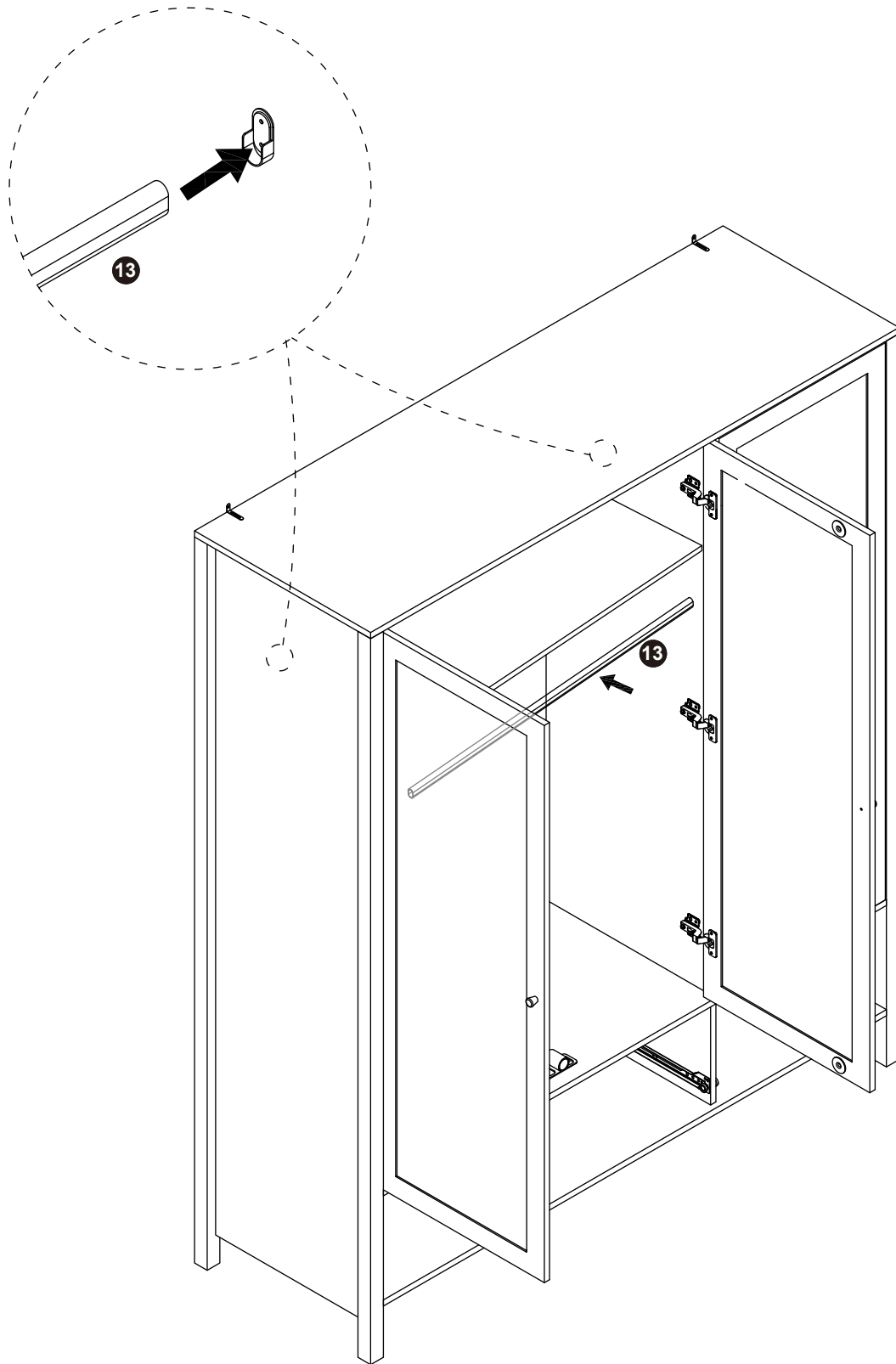
Step 19



| | | |
|---|---|----|
| O |  | 36 |
|---|---|----|

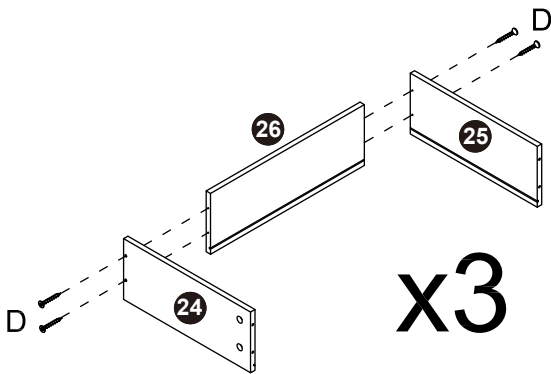
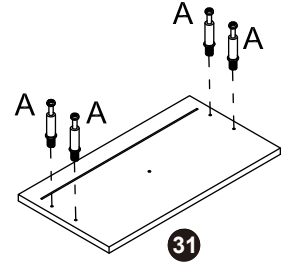
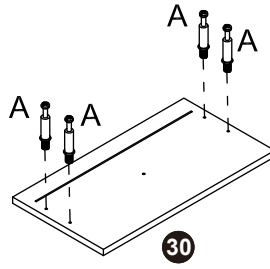
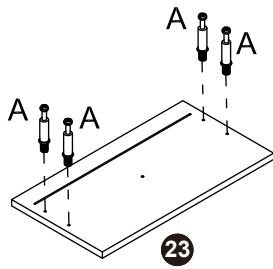
ASSEMBLY INSTRUCTIONS

Step 20

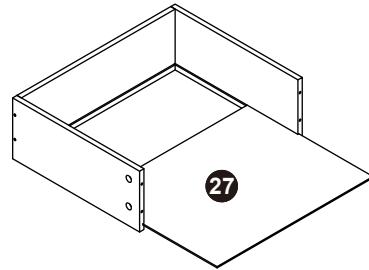


ASSEMBLY INSTRUCTIONS

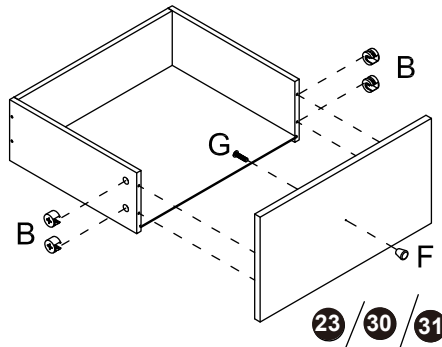
Step 21



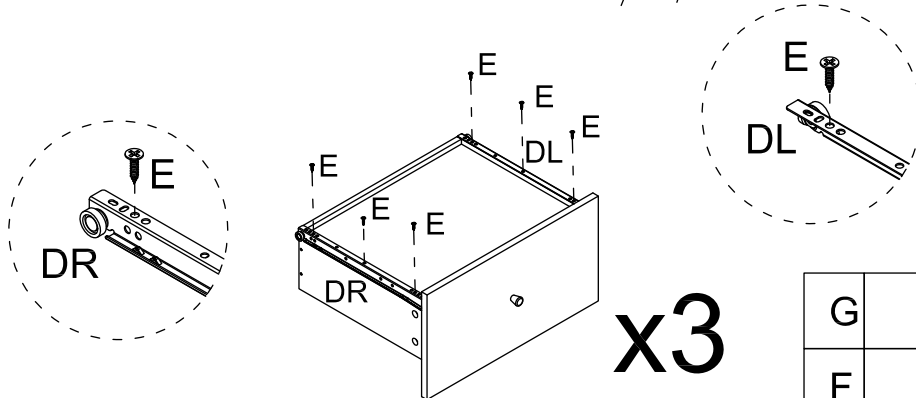
x3



x3



x3

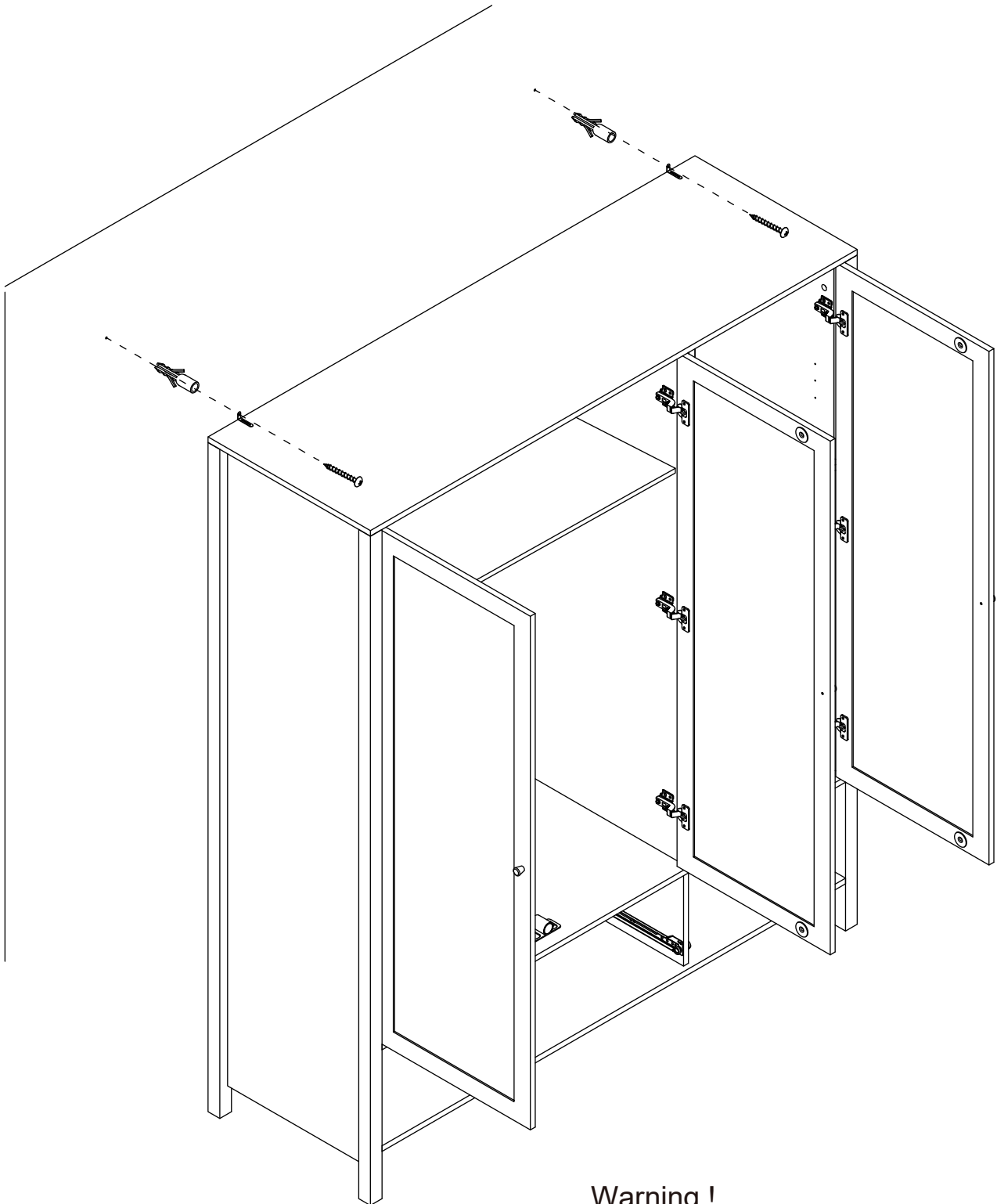


x3

| | | | | | | | | |
|----|--|---|---|--|----|---|--|----|
| DL | | 3 | D | | 12 | G | | 3 |
| DR | | 3 | A | | 12 | F | | 3 |
| | | | | | | B | | 12 |
| | | | | | | E | | 18 |

ASSEMBLY INSTRUCTIONS

Step 22

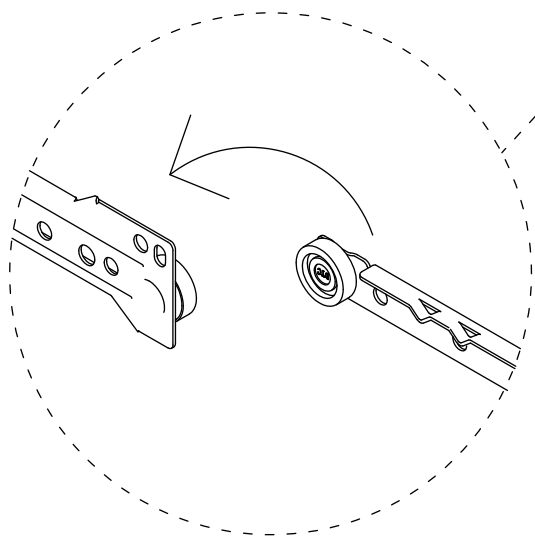
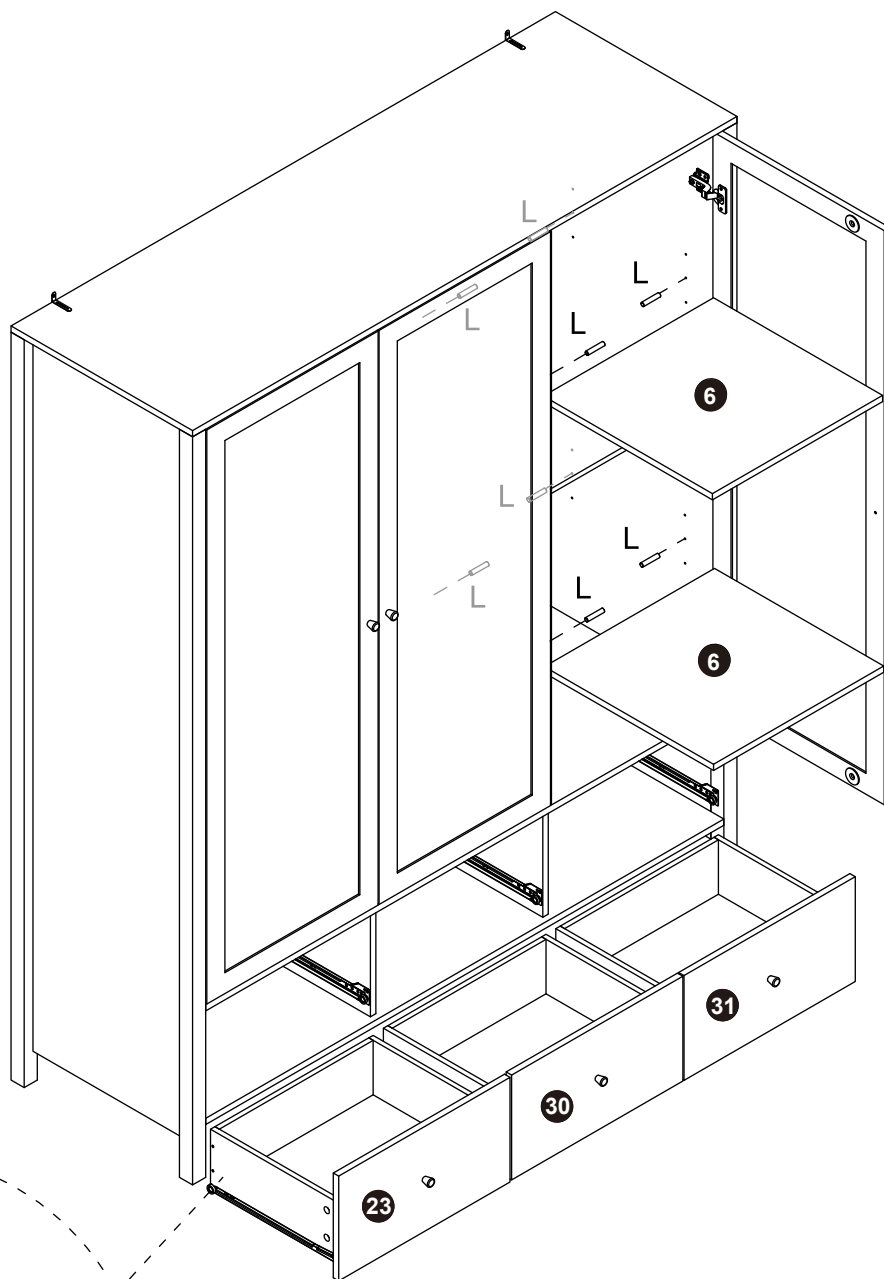


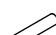
Warning !

Wall Plug and screws are not provided.
If you are in any doubt about the
correct fixings for your wall,
seek professional advice.

ASSEMBLY INSTRUCTIONS

Step 23

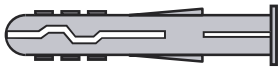


| | | |
|---|---|---|
| L |  | 8 |
|---|---|---|

A Guide to - Wall Mounting & Fixings

Important note:

If plastic wall plugs are supplied with your product:



- these are only suitable for use in masonry walls.

If you are in any doubt about the correct wall plugs for your wall, seek professional advice.


Failure of the product due to using incorrect fixings is the responsibility of the installer.



Important: When drilling into walls always check that there are no hidden wires or pipes etc.

Make sure that the screws and wall plugs being used are suitable for supporting your unit. Consult a qualified person if you are unsure.

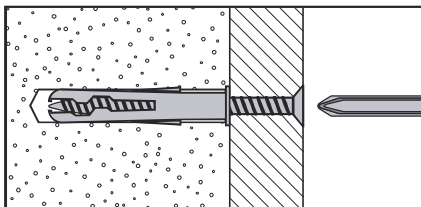
Hints:

- 1: General rule:**  Always use a larger screw and wall plug if you are not sure.
- 2:** Ensure you use the recommended drill bit to match the wall plug and hole size.
- 3:** Ensure you drill the hole horizontally, do not force the drill or enlarge the hole.
- 4:** Take extra care when drilling high walls, ceilings and ceramic tiles. Ensure wall plugs are inserted beyond the thickness of the ceramic tiles to avoid the tiles splitting or cracking.
- 5:** Ensure wall plugs are well fitted and are a tight fit in the drilled hole.

Types of walls

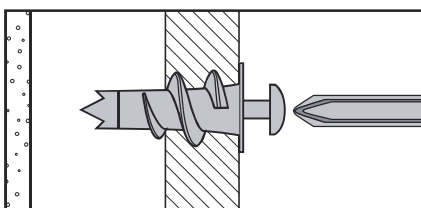
You can use one of the following types of wall plug if your walls are made of brick, breeze block, concrete, stone or wood.

No.1 "General Purpose" wall plug



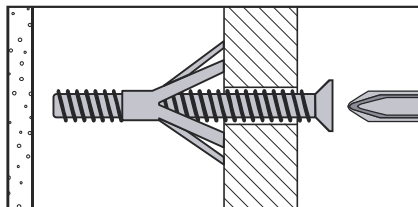
Generally aerated blocks should not be used to support heavy loads, use a specialist fitting in this case. For light loads, general purpose wall plugs can be used.

No.2 "Plasterboard" wall plug



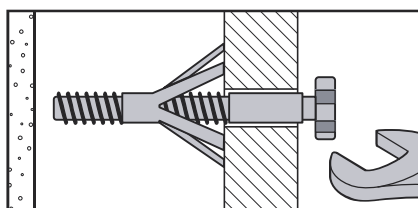
For use when attaching light loads on to plasterboard partitions.

No.3 "Cavity Fixing" wall plug



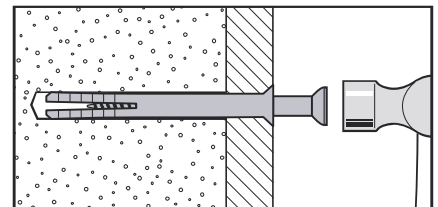
For use with plasterboard partitions or hollow wooden doors.

No.4 "Cavity Fixing-Heavy Duty" wall plug



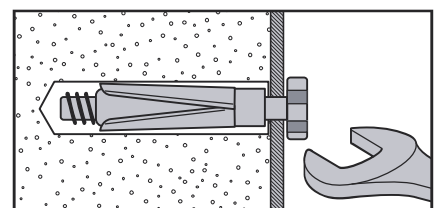
For use when fitting or supporting heavy loads such as shelving, wall cabinets and coat racks.

No.5 "Hammer Fixing" wall plug



For use with walls stuck with plasterboard. The hammer fixing allows it to be fixed to the wall rather than the plasterboard. Always check the fixing is secure to the retaining wall.

No.6 "Shield Anchor" wall plug Heavy loads



For use with heavier loads such as TV & HiFi speakers and satellite dishes etc.



Care & Maintenance

Safety: Always check the fitting and location to ensure your safety in and around the home.

Fitting: From time to time check the fitting to ensure the wall plugs or screws do not become loose.

IF YOU FIND A DEFECTIVE PART

We fully stock all parts and components. Any defective part can be quickly replaced. Take note of the defective part number in manual and we will arrange a replacement.

You can email our team

COPYRIGHT

All material in this instruction manual is copyrighted

Any unauthorised use may violate worldwide copyright, trademark and other laws.

Thank you for purchasing!
