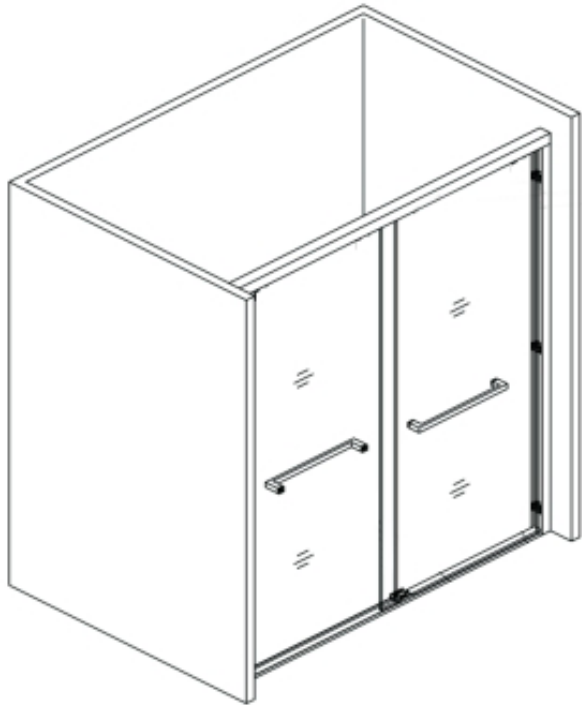


# Assembly Instruction

(The instruction is only for installation schematic, subject to the actual products)

**Available with 60"x76"H, 48"x75"H, 60"x60"H  
QG01, QG02, QG03, QP01, QP02, QP03  
Double Sliding Shower door**

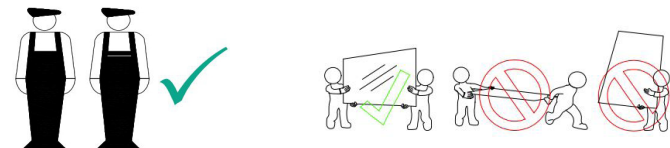


## SAFETY INFORMATION CAUTION:

Please carefully read the following important safety information before handling or installing this shower door. There are risks of serious injury while handling this product. To minimize these risks. Please note:

- \* Always wear safety glasses and gloves while handling.
- \* Always follow the installation instructions.
- \* Do NOT cut or modify the tempered glass as it will shatter if cut.
- \* Inspect glass for damage before installation.
- \* Make sure to have a gaskets(we offered) in either side of the glass door, to make sure the metal is not touching the tempered glass.
- \* Extreme caution should be taken while handling the glass during installation as the tempered glass may shatter if in contact with a hard surface.
- \* Carefully remove product from packaging and keep packaging until installations complete.
- \* Inspect all parts for damage or missing; if there is any damage or part missing to the unit prior to installation, please contact customer service.
- \* Cover the drain with tape to prevent the loss of small parts. The shower base and finished walls should be installed before beginning the shower door installation.
- \* During the installation, protect the shower floor with a drop cloth to avoid damage.
- \* This product should be installed by two people who are familiar with construction requirements. Professional installation is recommended.

**NOTE:** Two professional people should perform this installation.

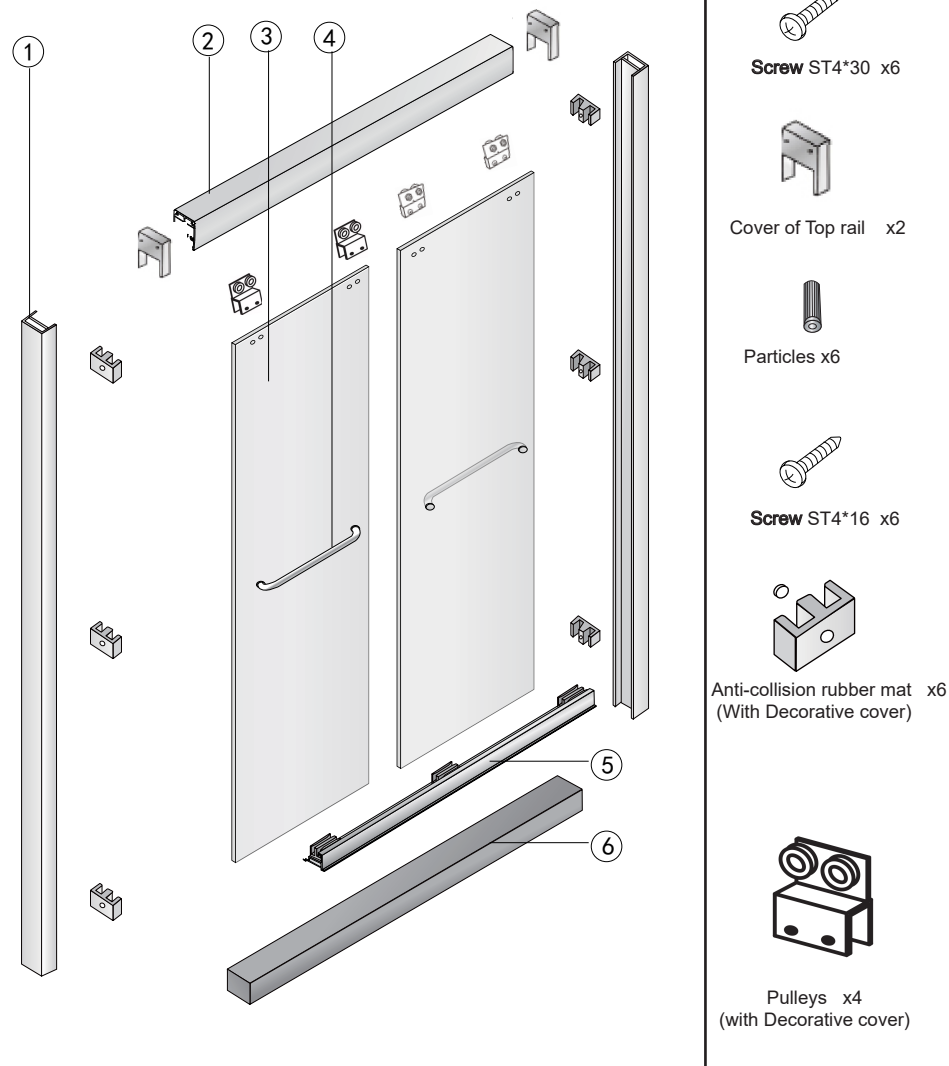


Suggest to keep this installation for future reference.



## Tools

## Parts breakdown



1.Wall jamb	x 2.	4. Handle	x 2
2.Top rail	x 1	5.Bottom rail	x 1 (including 3 Sliders)
3.Glass door	x 2	6.Groundmass	(Purchased separately)

### Attention Please:

Our product supports an adjustment within 4"width (Whether 60" or 48")  
(for example: if you bought 60" width, then support any size of 56-60")

You only need to cut off the Top rail and Bottom rail accordingly.

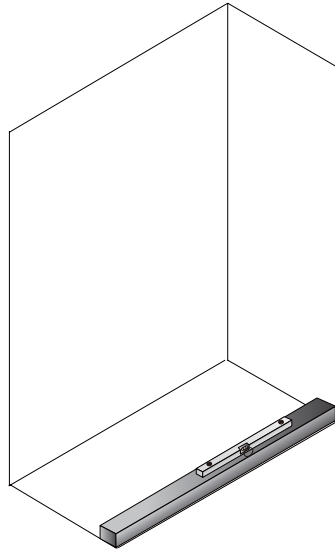
(for example: the standard is 60", your width of shower room is 58", then directly cut off the Top rail and Bottom rail by 2")

**\*\*\*Take out the Sliders which fixed on the Bottom rail before if cutting\*\*\***

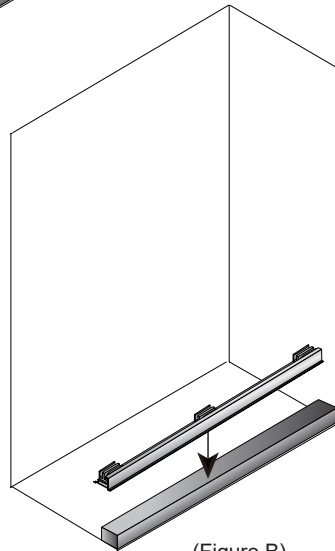
## Installation procedure One:

1. Check the groundmass for installation position, to keep level. (Figure A)
2. Put the **Bottom rail** on the groundmass. (Figure B)

You can also install on the floor tile or tub or other flat position, if you do not install on the groundmass.



(Figure A)



(Figure B)

## Installation procedure Two:

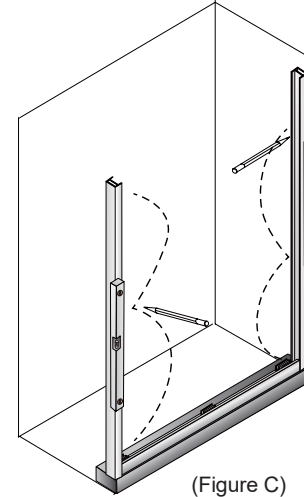
1. Put the 2 **Wall jambs** to the installation position, draw the drill hole position, keep the framework of the vertical level. (Figure C)

\*Make sure the **Wall jambs** is covered over the **Bottom rail**, to keep the **Bottom rail** fixed\*

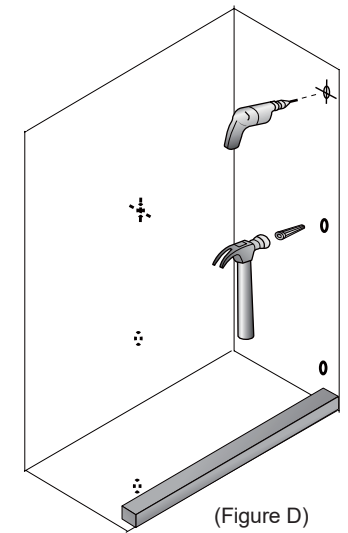
2. Drill with the Impact drilling, and then put **Particles.** (Figure D)

3. Place your **Wall jambs** on the installation position, alignment hole. Fix the **Wall jambs** tightly with 6 **Screw ST4\*30.** (Figure E)

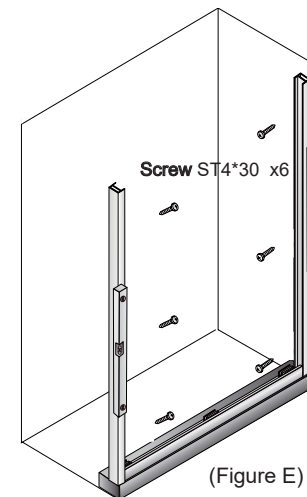
4. Fix the **Anti-collision rubber mat** tightly on the **Wall jambs** with short screws with 6 **Screw ST4\*16.** (Figure F)
- \*Locked in the smaller hole in the Wall jambs\*



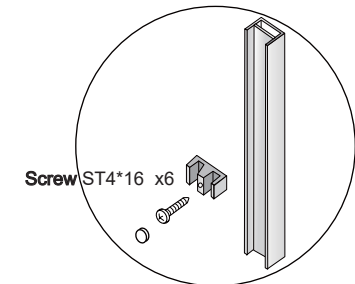
(Figure C)



(Figure D)



(Figure E)



(Figure F)

### Installation procedure Three:

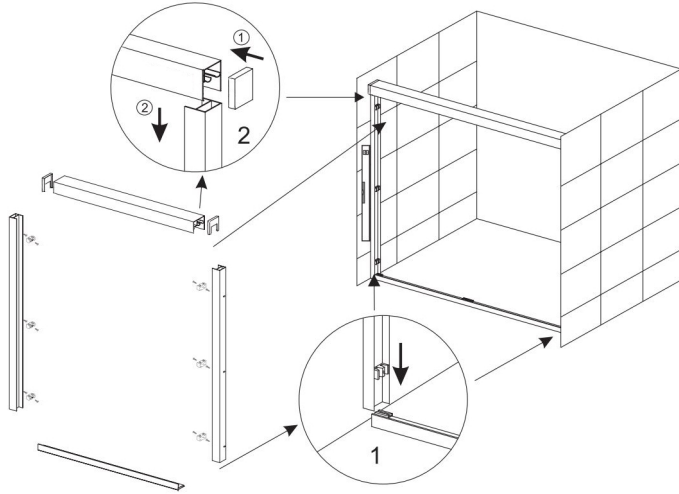
1. Cover the **Cover of Top rail** on the both ends of the **Top rail**.

2. Put on the **Top rail** on 2 **Wall jambs**.

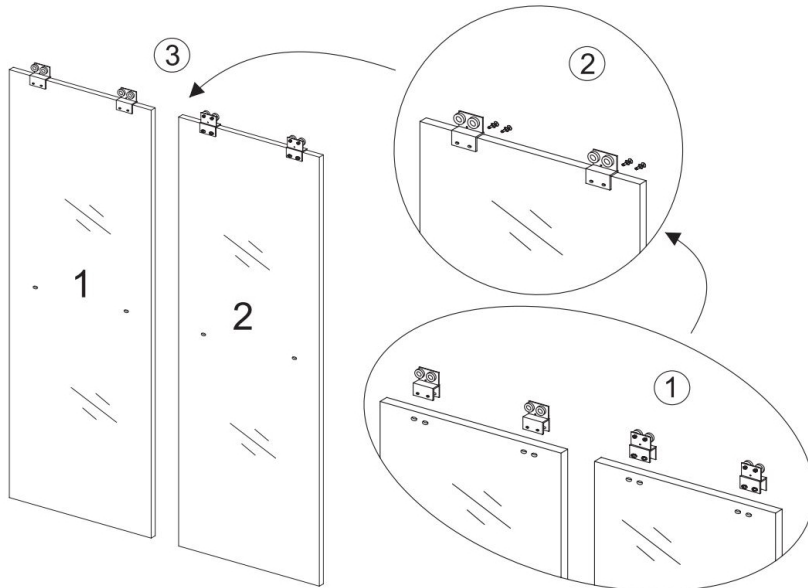
\*Make sure the **Top rail** is covered over the **Wall jambs**, to keep the **Wall jambs** fixed\*

3. Install the 4 **Pulleys** on the **Glass door** properly.

\*Make sure mounting the films to keep the Metal parts are not in direct contact with the Glass.



If mounting the film is difficult, it is recommended to try laying the glass flat on the desktop.

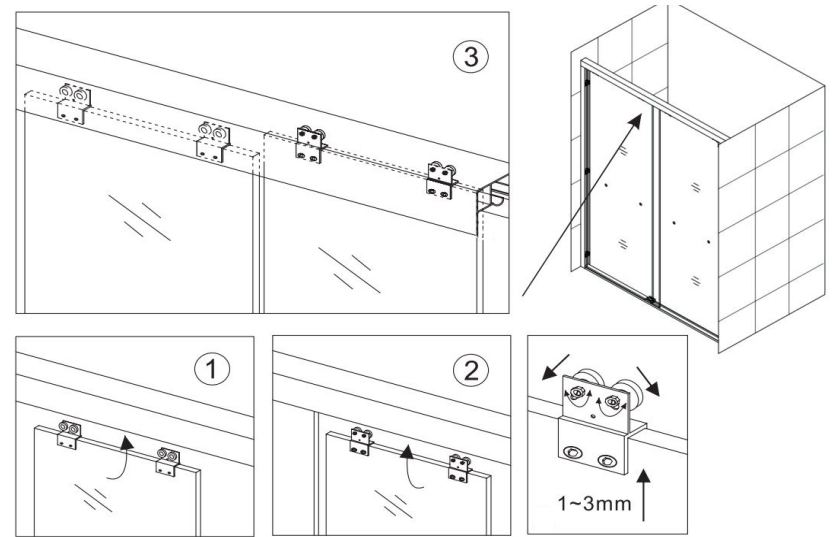


### Installation procedure Four:

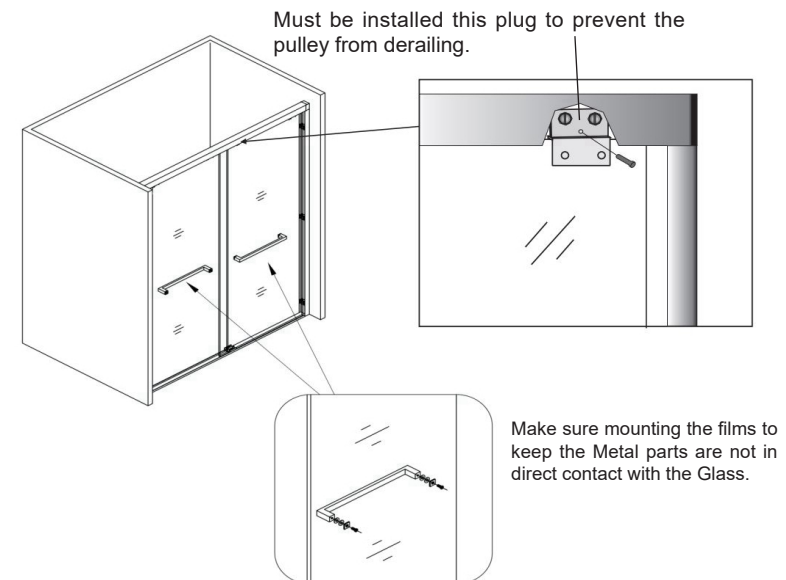
1. Hang the **Glass door** with the **Pulleys** assembled into the **Top rail**.

2. Adjust the guide wheel height to make the active of Glass door, vertical activities smoothly.

3. Install the **Handle**.



this figure can adjust the glass level



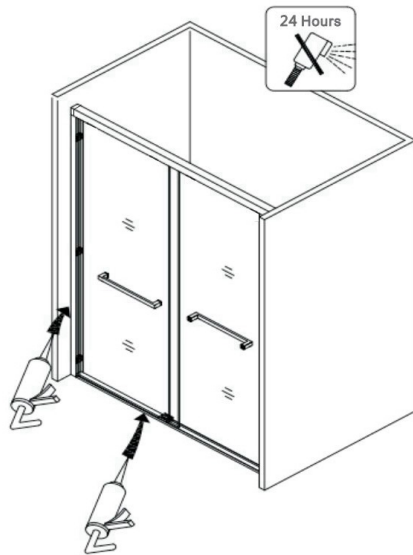
Must be installed this plug to prevent the pulley from derailing.

Make sure mounting the films to keep the Metal parts are not in direct contact with the Glass.

## Installation procedure Five:

1. Check the whole product, adjust it to the best condition, and make the Glass door smooth, in good seal, covered with the **Decorative cover**.

2. Clean in good health, as shown by the dotted line gelatinize the neuter glass glue. After 24 hours, You shower can be used.



**Please allow 24 hours for the silicone to fully cure before using the shower.**

## Usage and Maintenance

### I. How to use and maintain the pulley of shower room

1. Avoid colliding the shower room active door energetically, to avoid activity door falling off; When the pulley does not turn or activity door does not move, the pulley needs replacing, it can't be energetically pushed or pulled, so as not to crush the glass loss.
2. Regularly clean slippery course, pulley of the shower room, fill lubricant (lubricating oil and lubricating wax);
3. When active door of the shower room is closed, there is seam above or below:
4. Check whether verticality deviation occurs, if any, install and adjustment.

### II. The maintenance of toughened glass of shower room

1. Don't use sharp blow or hit shower room glass surface, so as to avoid breakage;
2. Do not use corrosive liquid such as banana oil to wipe the glass shower room surface, so as not to damage the surface luster;
3. Don't use coarse material to wipe the glass surface of the shower room to avoid scratch.
4. The glass is cleaned with cotton cloth or soft cloth after being wetted.

### III. The maintenance of the aluminum alloy frame of the shower room

Oxidation coloring products, (silver, silver, brushed silver surface coloring class): This kind of products is not easy to fade compared to electrostatic coating products, but the surface can neither be wiped with coarse material, the surface can't be depicted with sharp object. If the shower room aluminum surface besmirch, please use neutral detergent dissolved in water before cleaning.

### IV. The maintenance of the hardware fittings

1. The cleaning of furniture hardware fittings, wet cloth is used to wipe or the wet cloth is dipped into neutral detergent or cleaner processing, finally water stains are dried.
2. When the surface has serious besmirch or scratches, fireworks burn, a sandpaper (2000) can be used to grind the surface, with a microfiber cloth to wipe.
3. Don't use sharp and hard goods to scrape the surface of metal accessories, to avoid contacting with the materials such as hydrochloric acid, salt, bittern.
4. Keep clean, there are water stains on the surface during use, wipe dry after use, keep the surface dry and cleaning regularly.

**We sincerely wish you a wonderful experience !  
Thank you!**