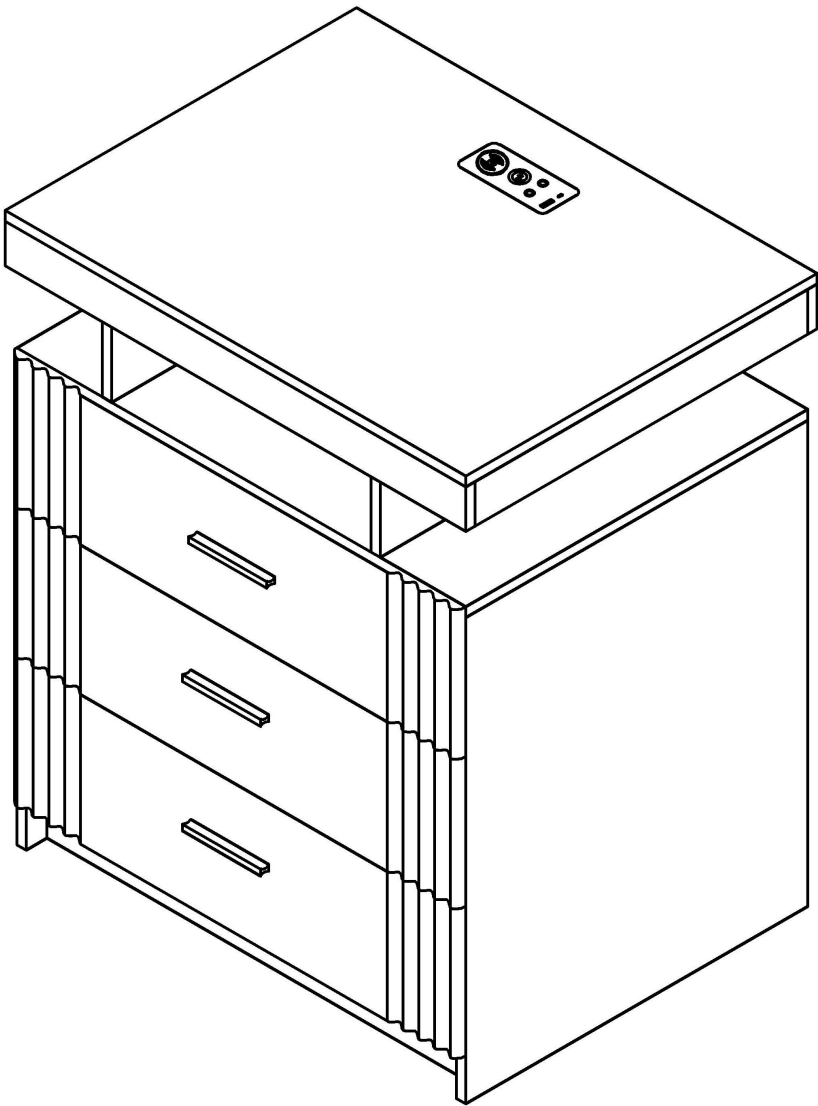
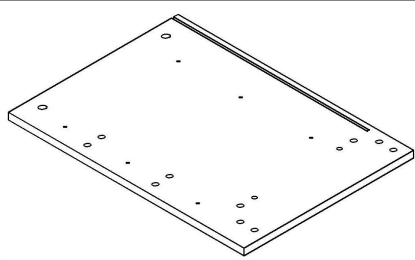
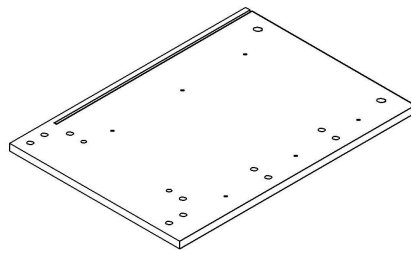


# Product Installation Instructions





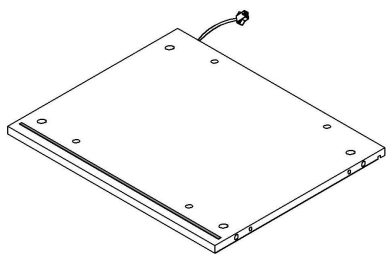
**Ax1**



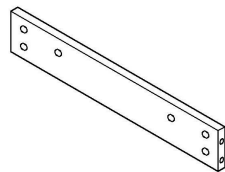
**A2x1**



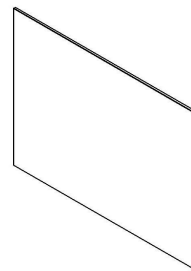
**Bx2**



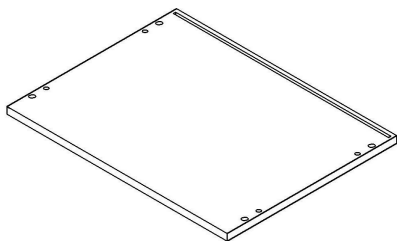
**Cx1**



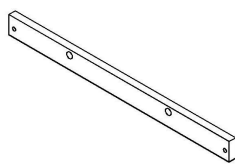
**Dx2**



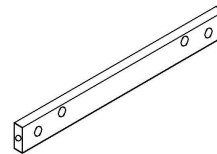
**Ex1**



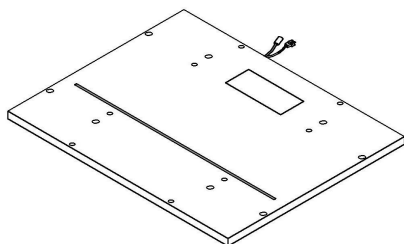
**Fx1**



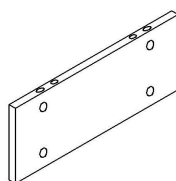
**Gx2**



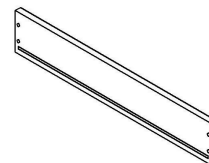
**Hx2**



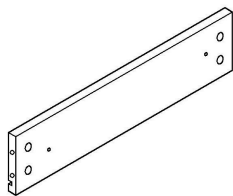
**Ix1**



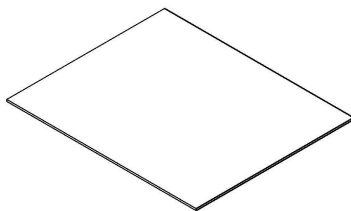
**Jx2**



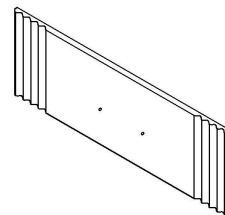
**Kx3**



**Lx6**



**Mx3**



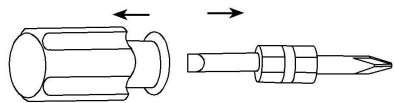
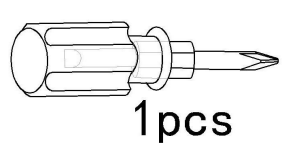
**Nx3**



**1**

# Accessories list

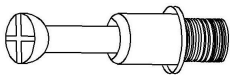

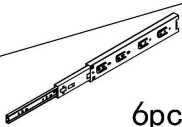


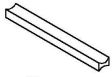
①		Two In One Screw (6x28mm)	72pcs +4pcs
②		Two In One Nut (10x12mm)	72pcs +4pcs
③		Wood Chipping (6x30mm)	16pcs +4pcs
④		Screw & Guide (3x12mm)	30pcs +6pcs  6pcs
⑤		Screw & Handle (4x18mm)	6pcs +1pcs  3pcs
⑥		Back Plate Buckle & Screw (3x16mm)	4pcs +1pcs
		AC/DC Adapter (12V=3.0A)	1pcs

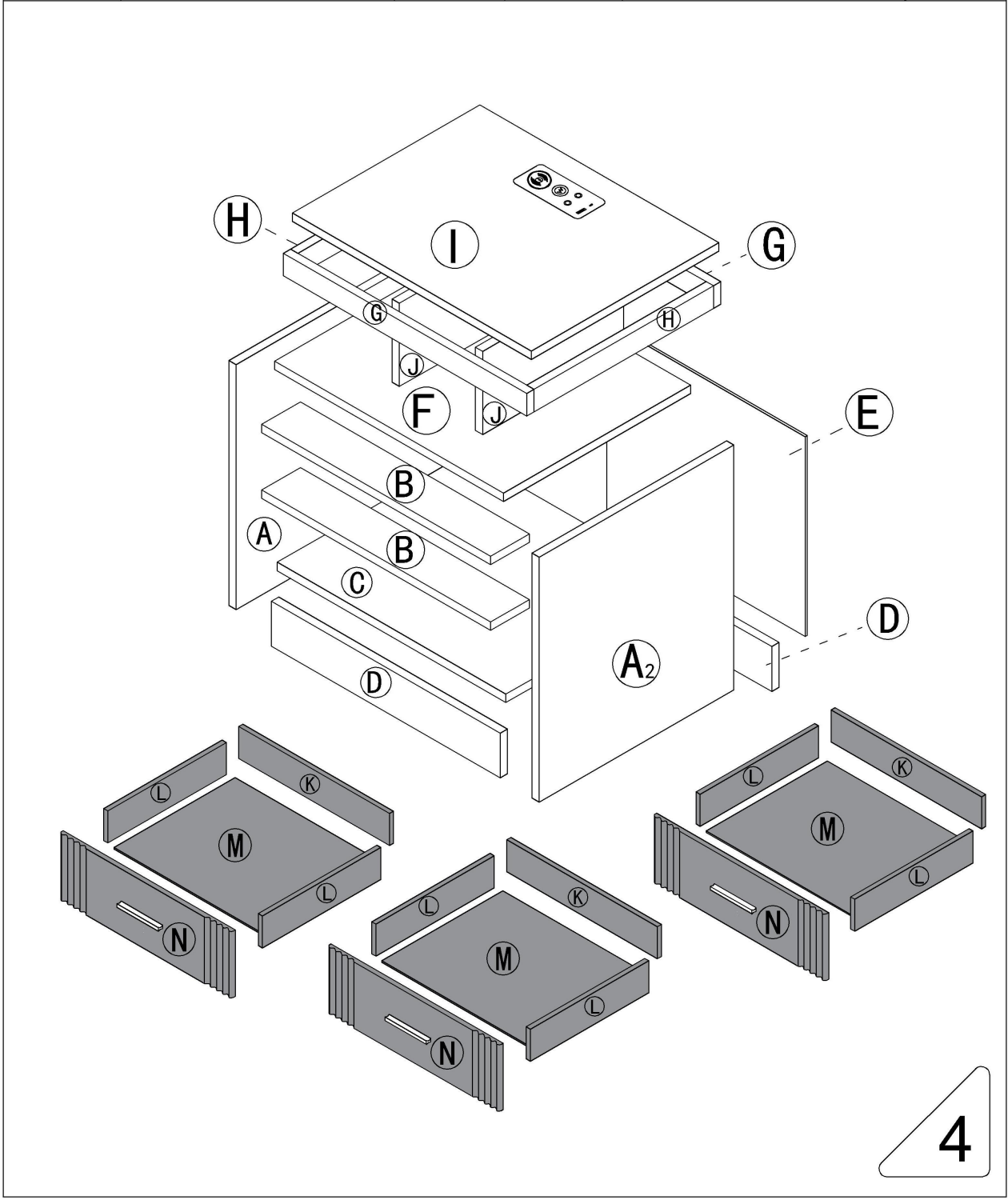


Double-head screwdriver, use as required





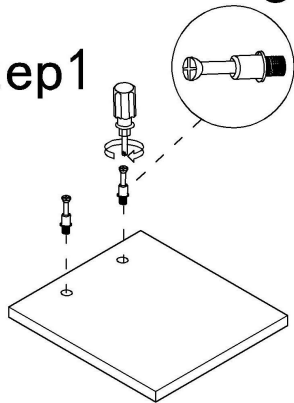
<p>1</p> 	<p>24pcs</p>	<p>4</p>	<p>12pcs</p> 	 <p>6pcs</p>
<p>2</p> 	<p>24pcs</p>	<p>5</p>	<p>6pcs</p> 	 <p>3pcs</p>



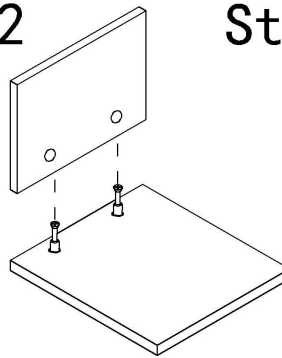
4

Use parts ① and ②

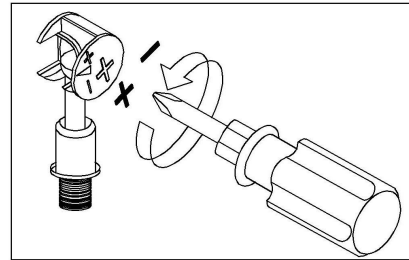
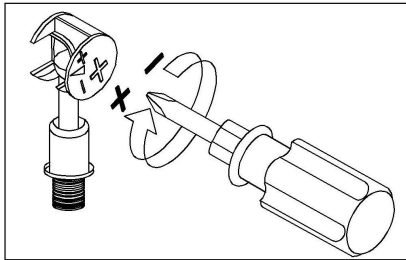
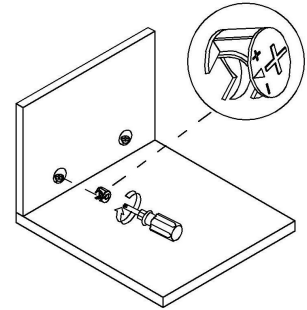
Step1



Step2



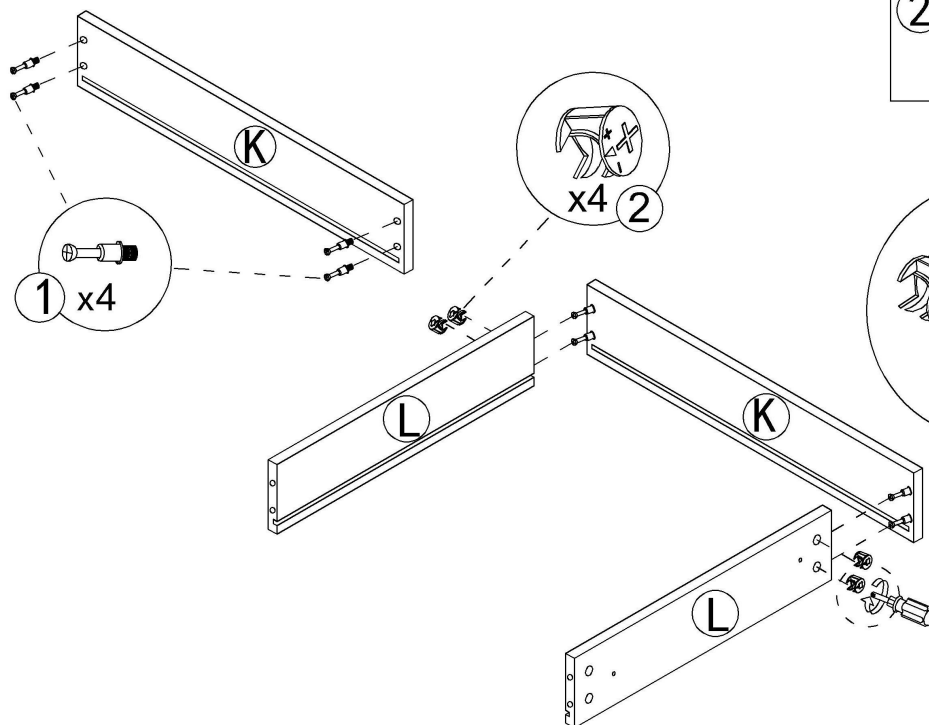
Step3



Use a screwdriver to lock in the direction of the "+" sign

Disassemble along the direction of "-" sign

Step 1



① x4

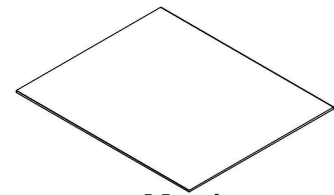
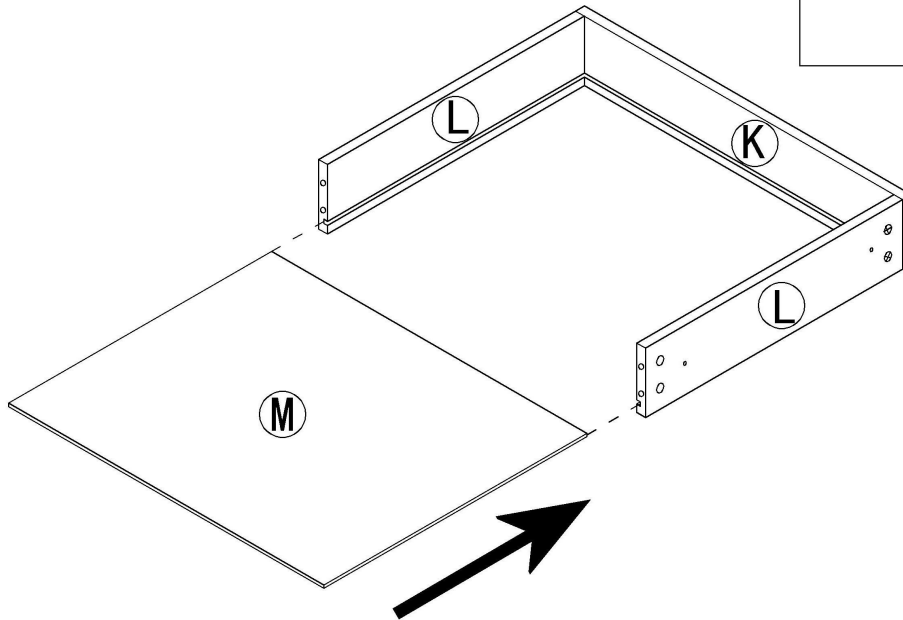
② x4

① x4

x4 ②

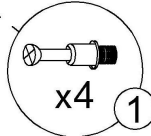
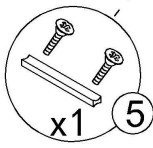
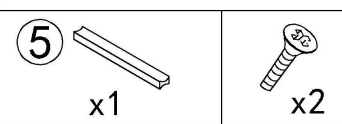
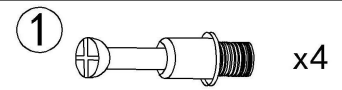
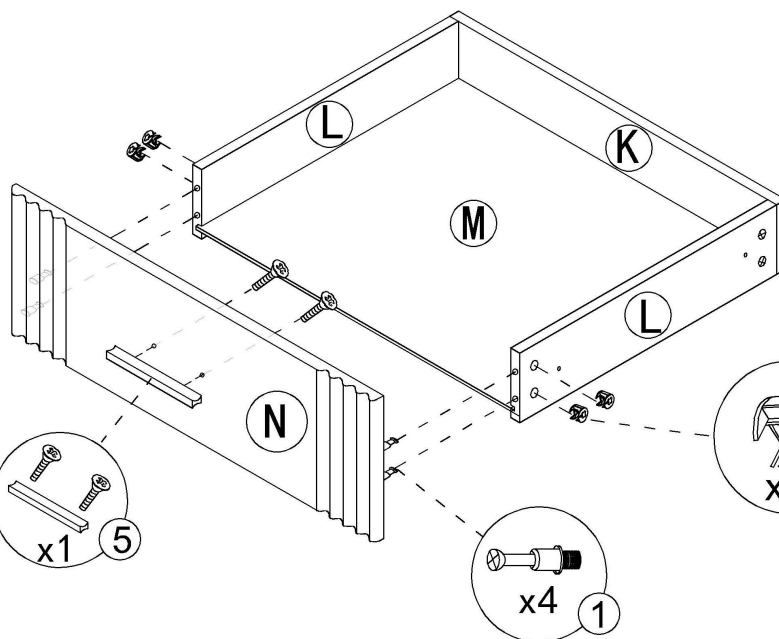
5

Step 2

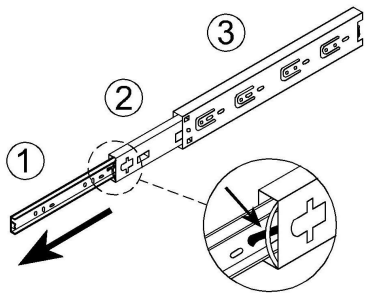


Mx1

Step 3

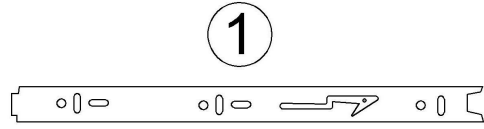


### Drawer rail breakdown diagram



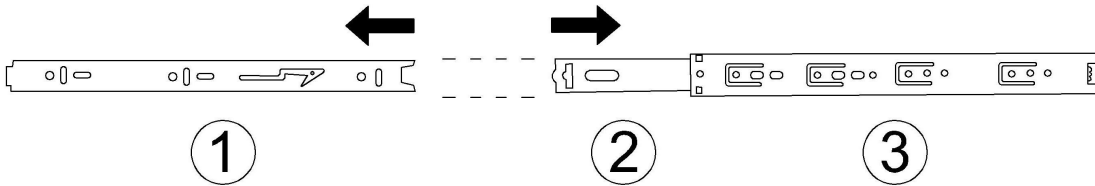
Step 1 : Pull the rails apart

Step 2 : Push the nylon buckle outward ①

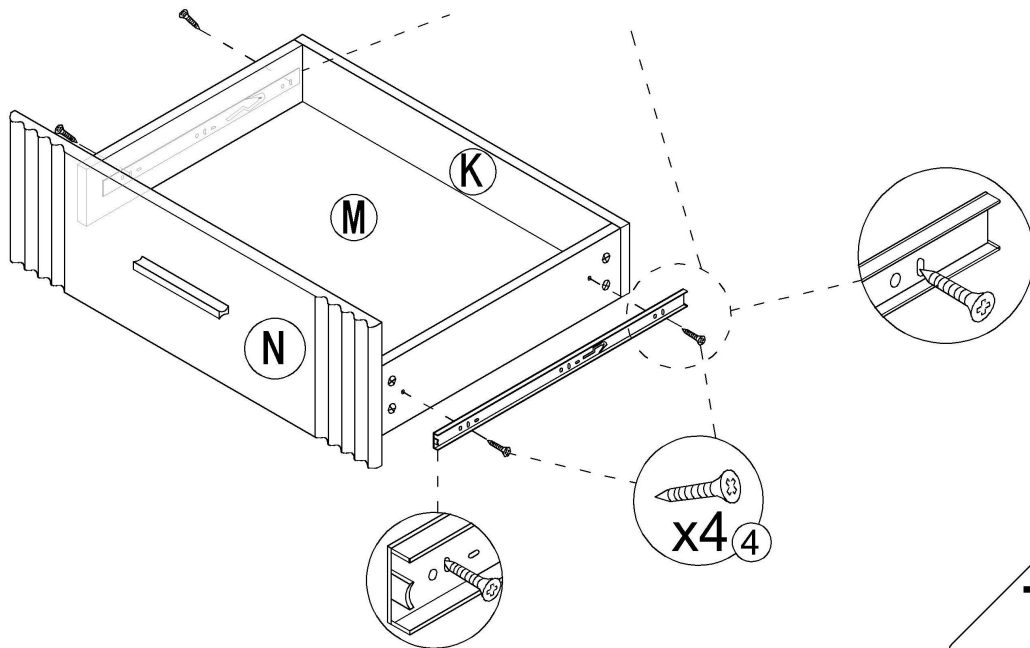
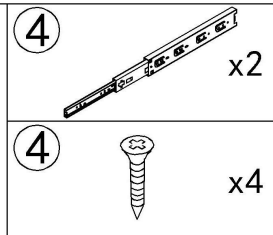
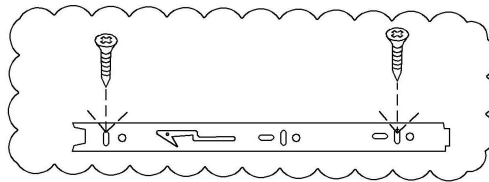


②

③

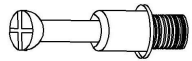


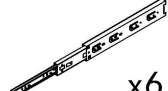
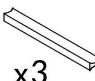



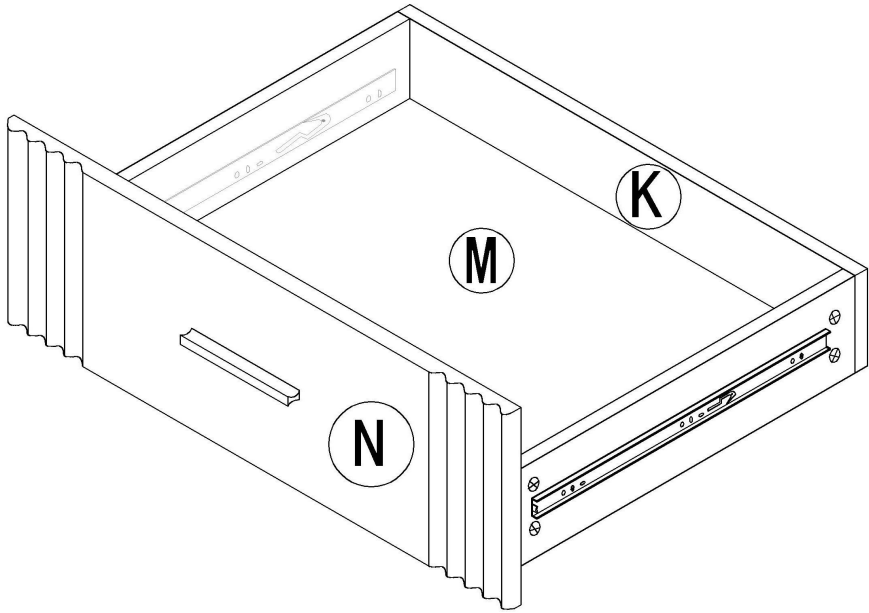
### Step 4



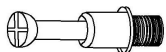
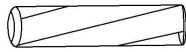


Step 5

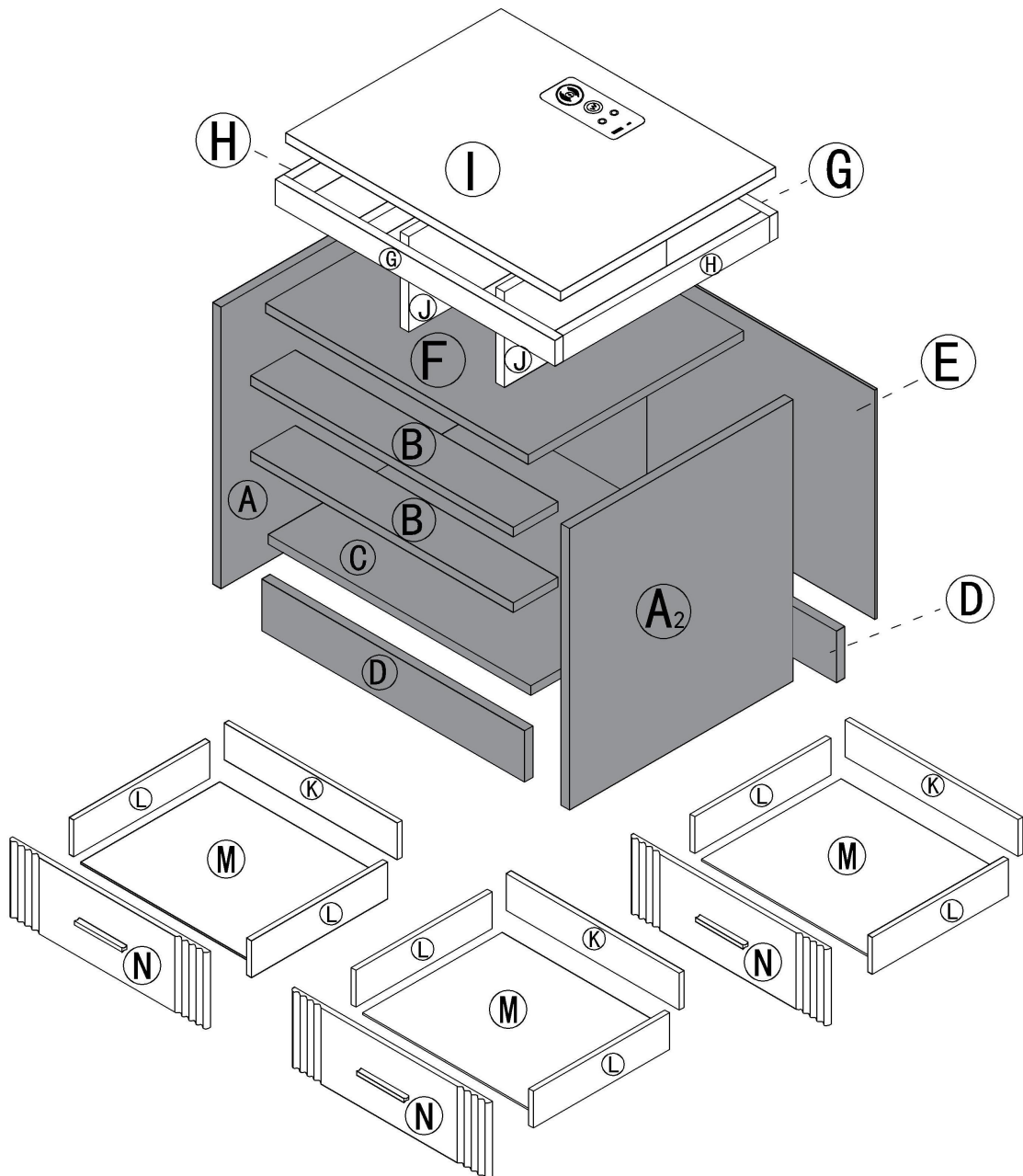
x3

- |   |   |     |
|---|---|-----|
| ① |  | x24 |
| ② |  | x24 |
| ④ |  | x12 |
|   |  | x6  |
| ⑤ |  | x3  |
|   |  | x6  |

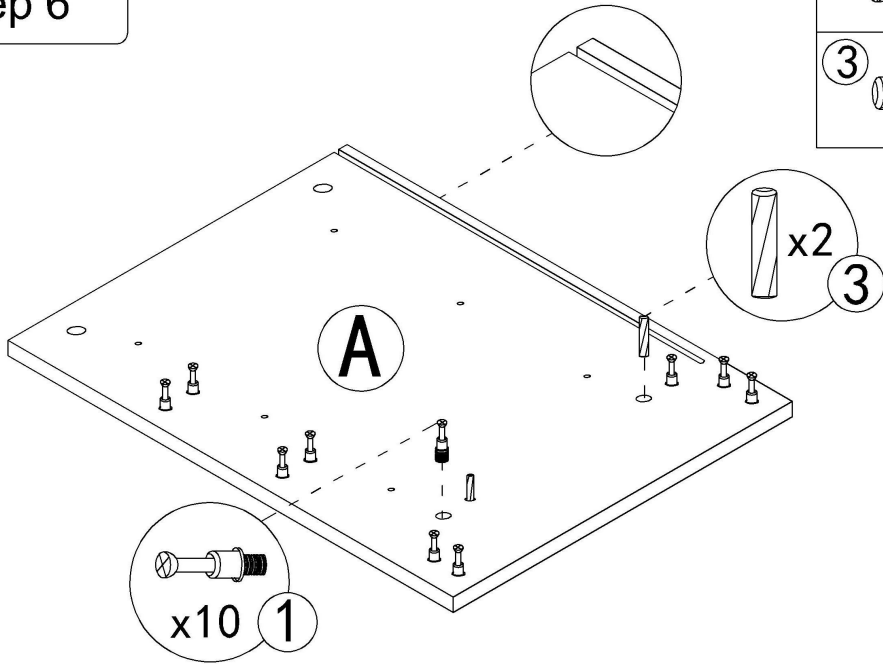


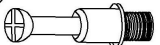

Use the same way to instalthe drawer

①		32pcs	③		12pcs
②		28pcs	④		18pcs

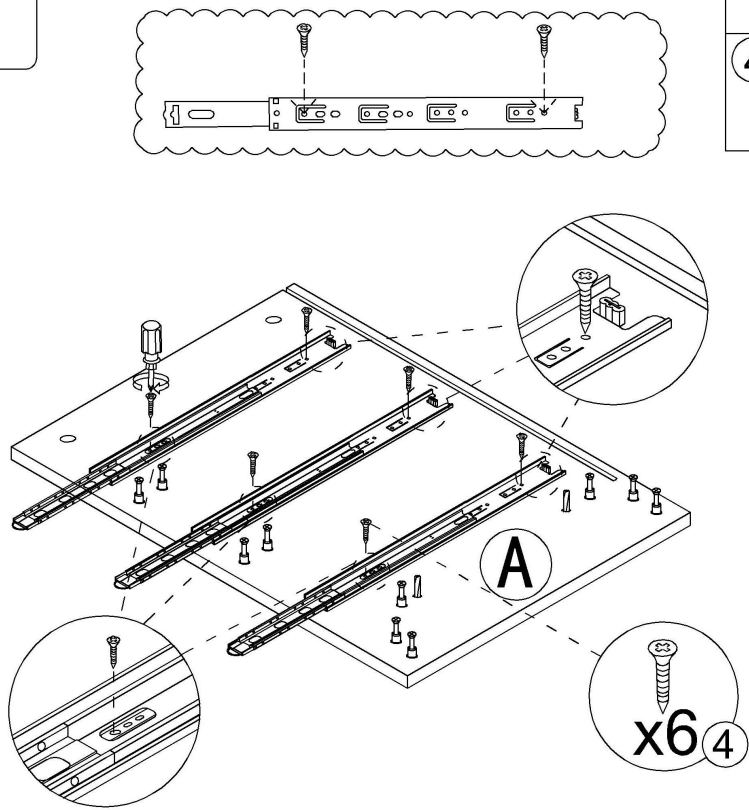



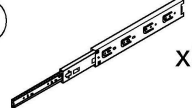
Step 6



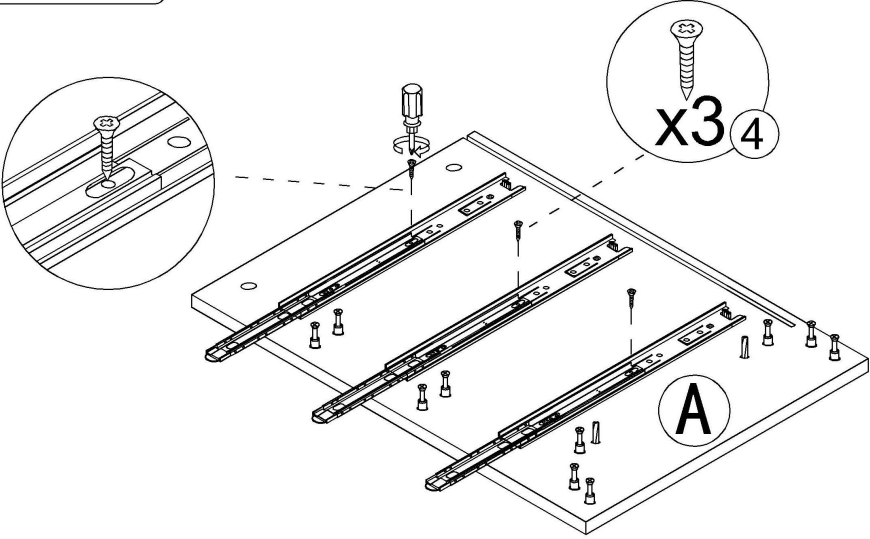
- 1  x10
- 3  x2

Step 7



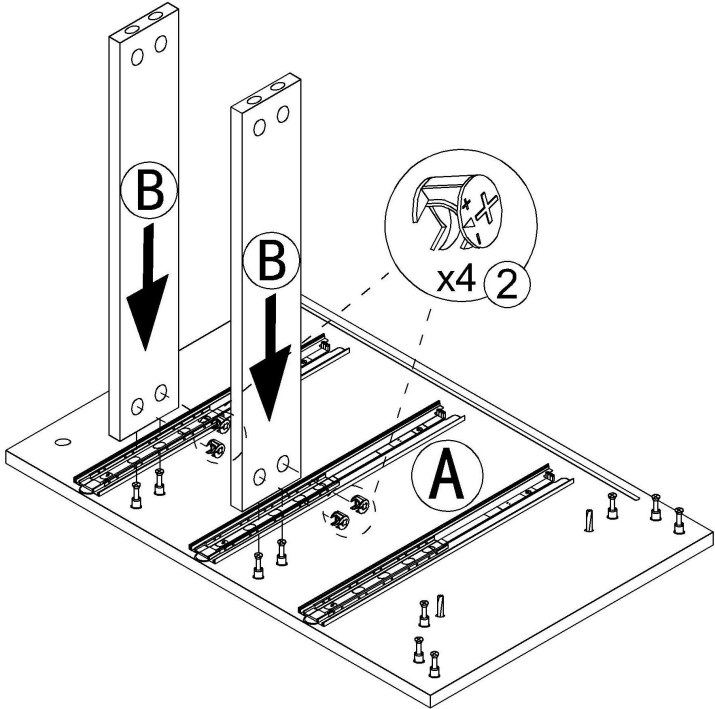
- 4  x6
- 4  x3

Step 8

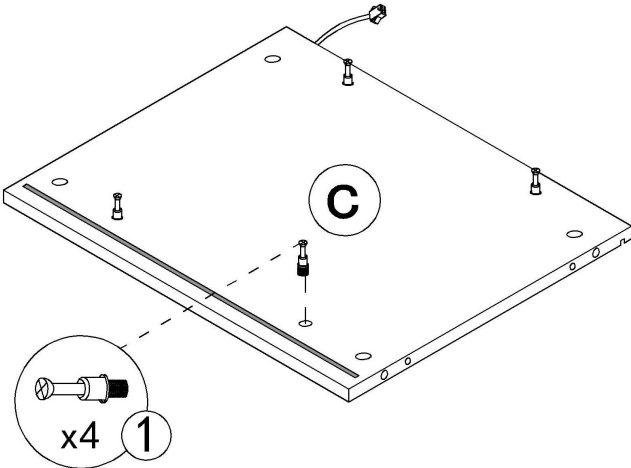
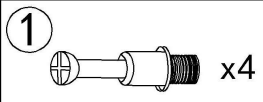


This hole is for strengthening fixed hole customers can choose to install according to their needs.

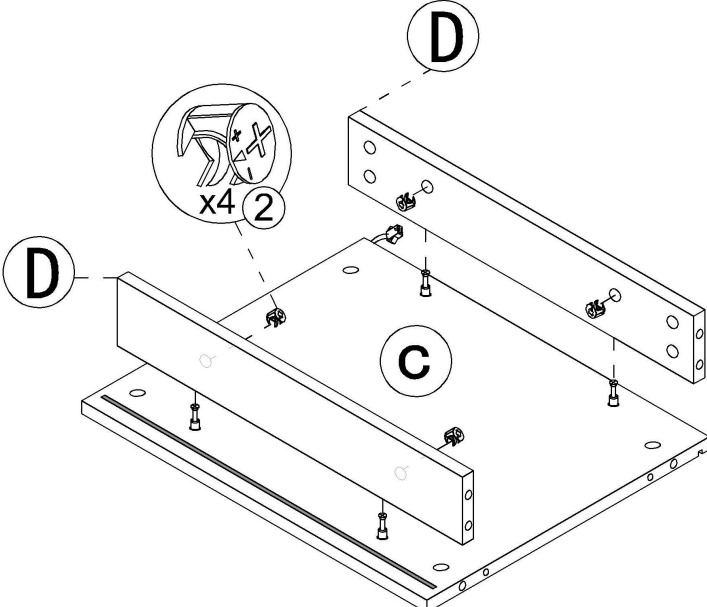
Step 9



Step 10

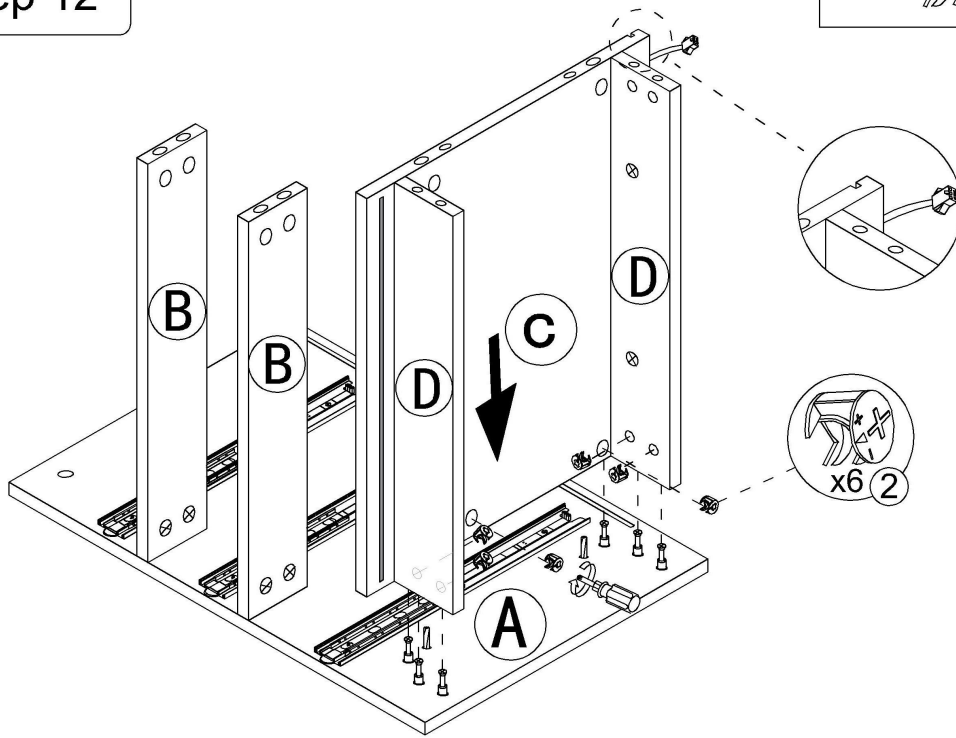


Step 11




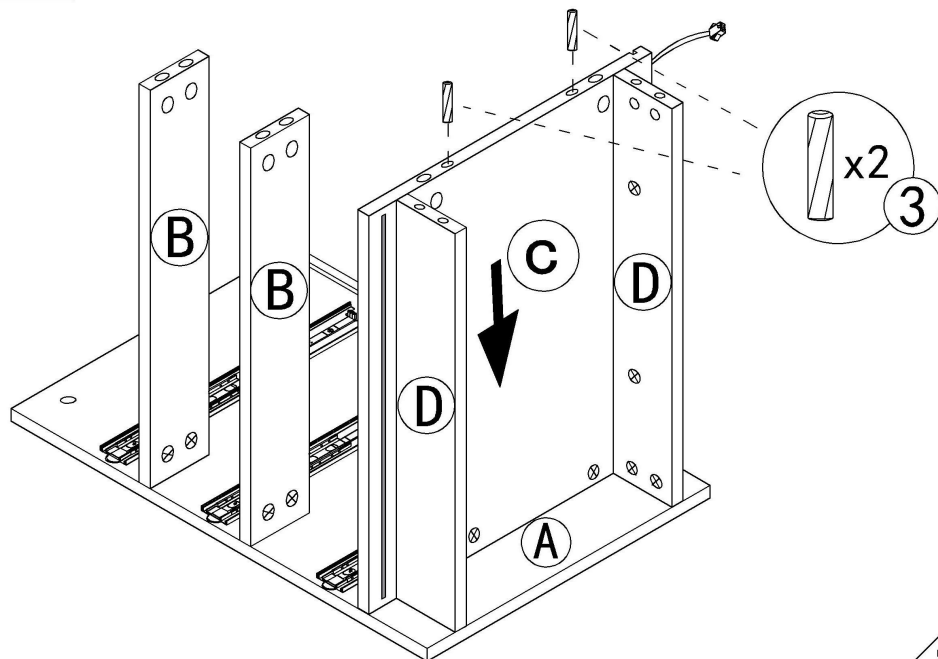
Step 12

②  x6

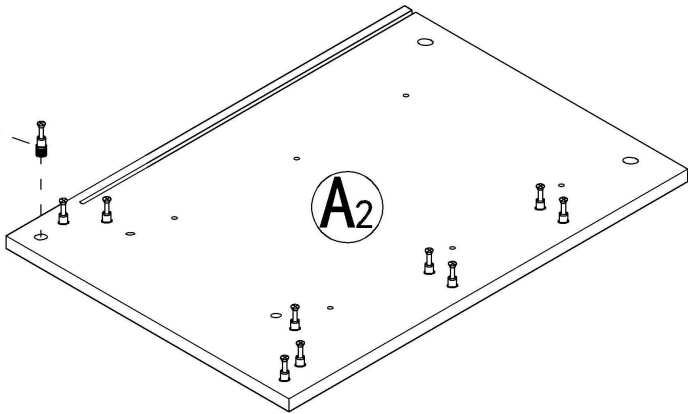
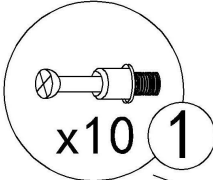
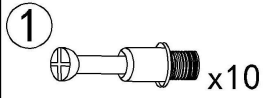


Step 13

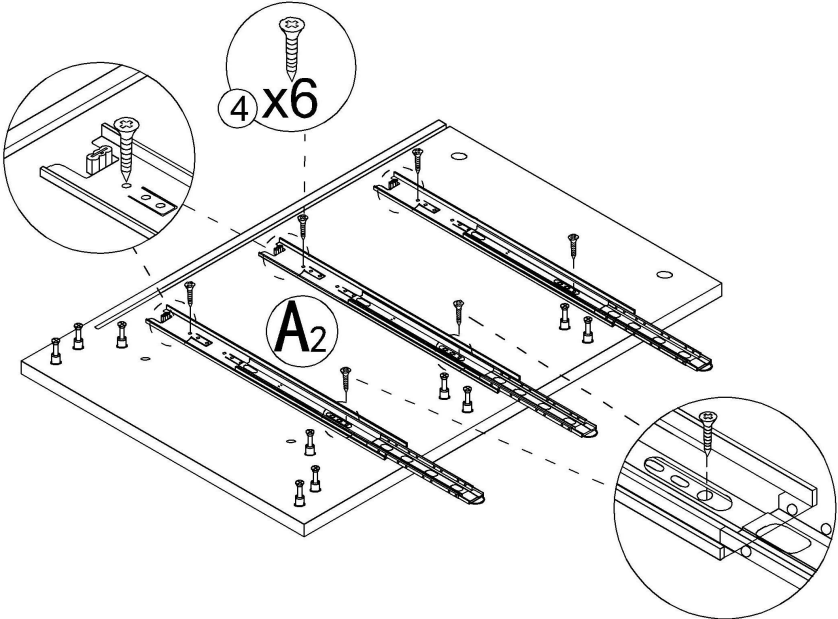
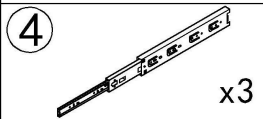
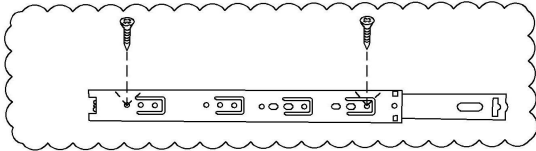
③  x2



Step 14



Step 15

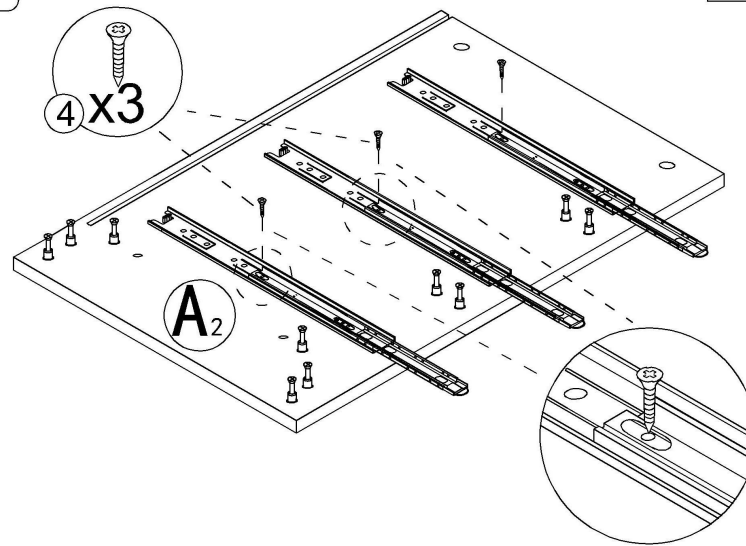


Step 16

4



x3



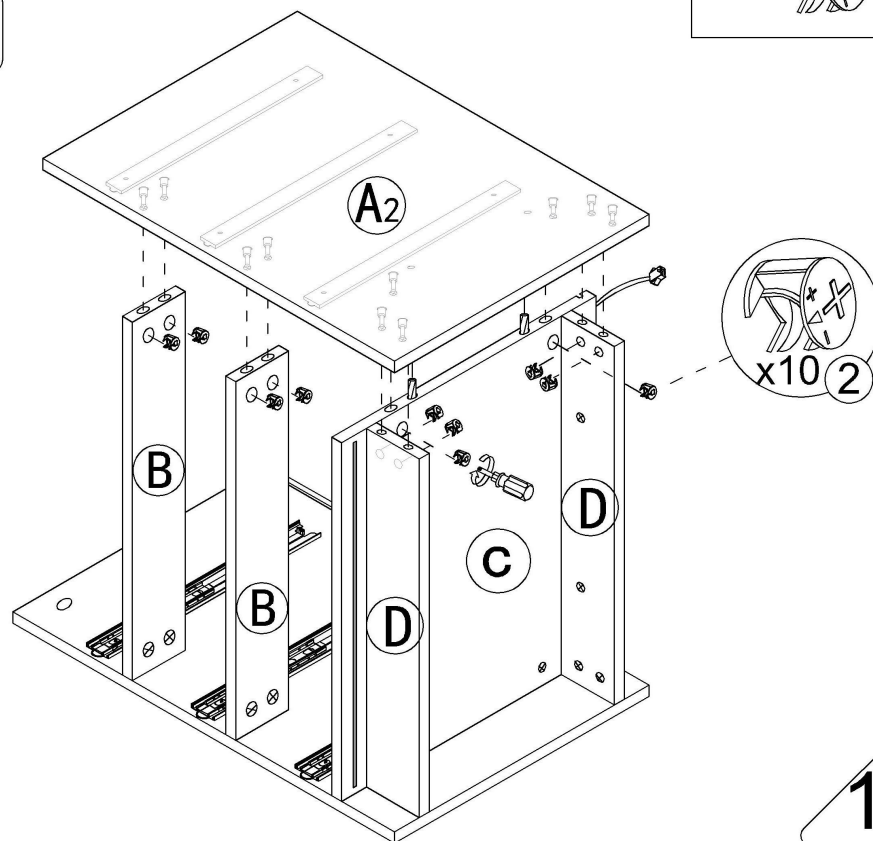
This hole is for strengthening fixed hole customers can choose to install according to their needs.

Step 17

2

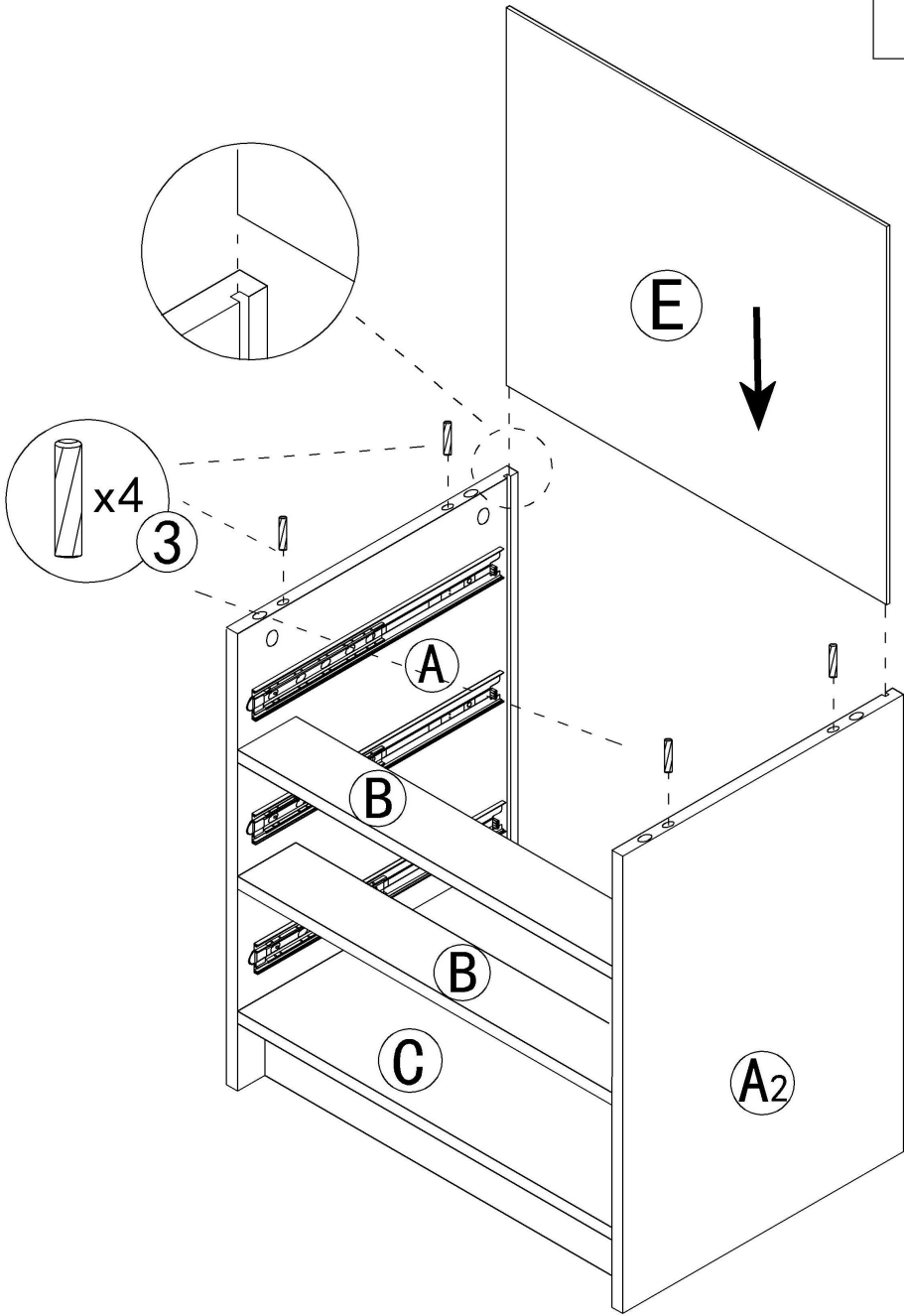
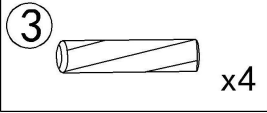
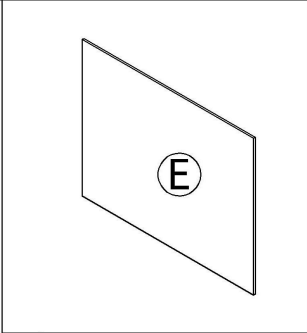


x10

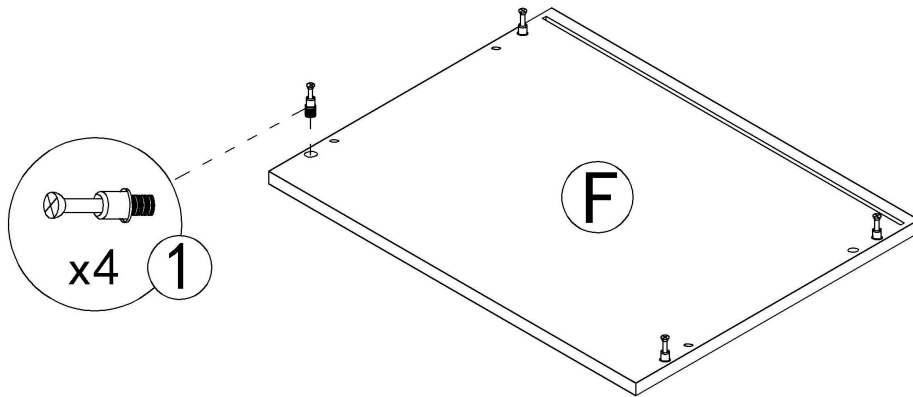
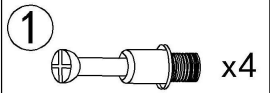


15

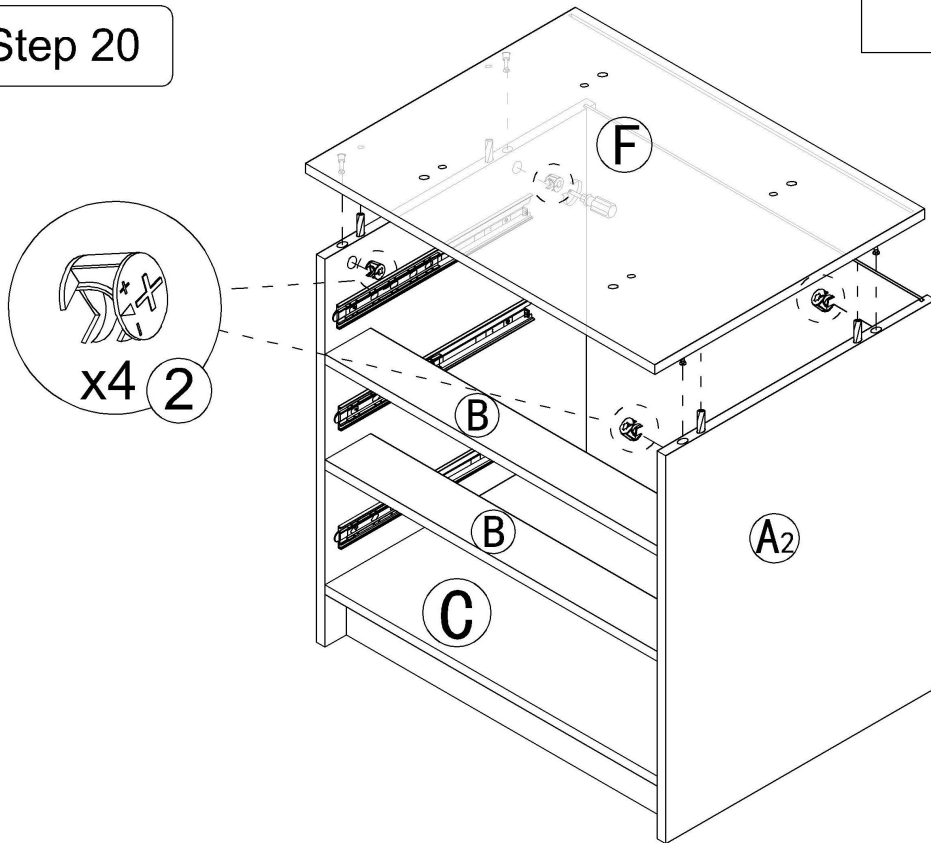
Step 18



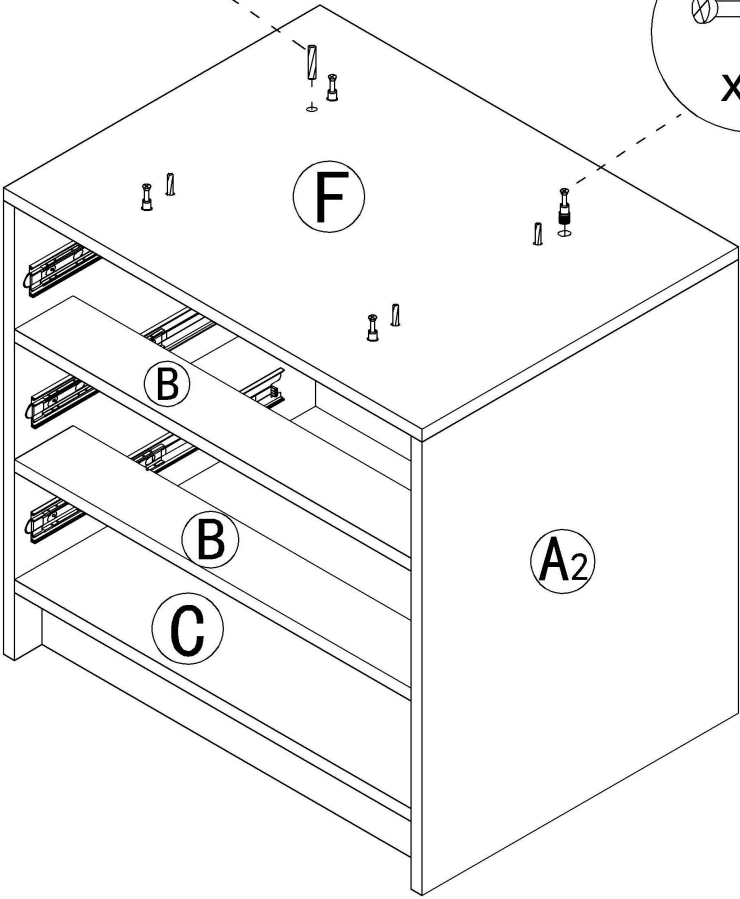
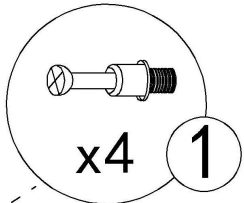
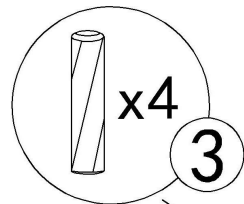
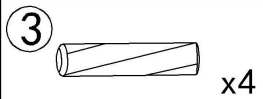
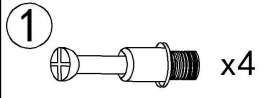
Step 19

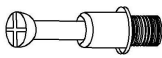

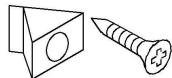

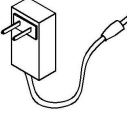


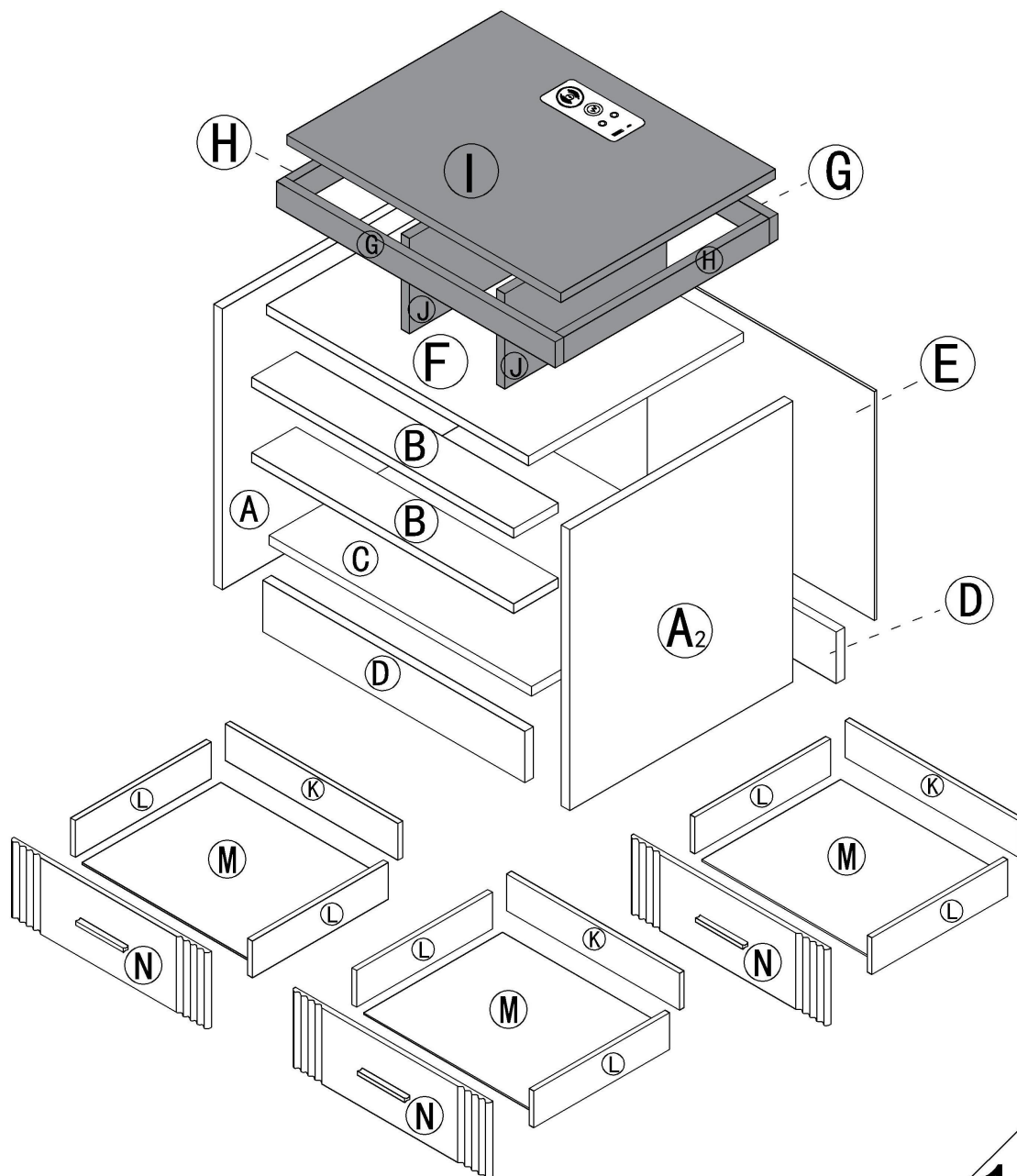
Step 20



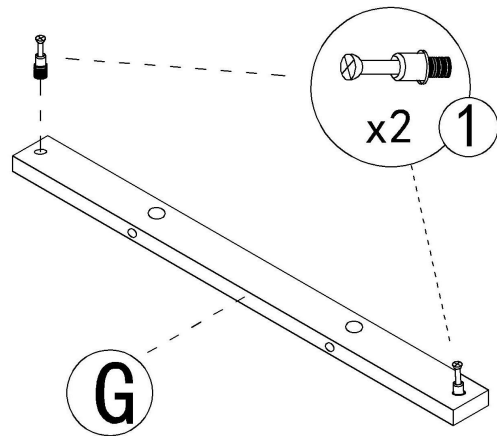
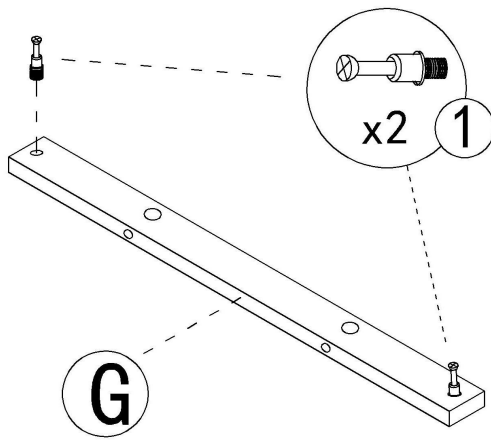
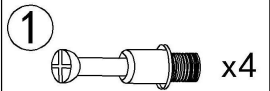
Step 21



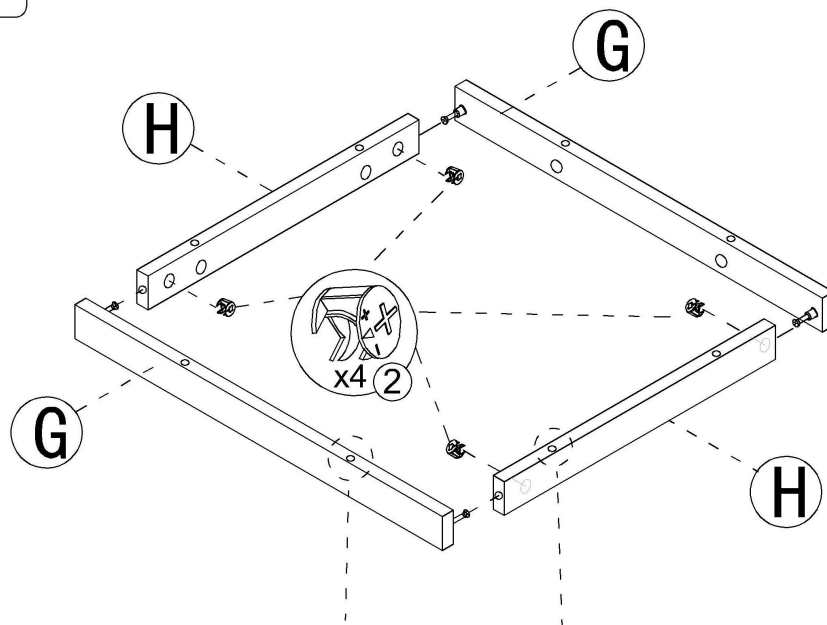
①		16pcs	③		4pcs	⑥		4pcs
②		20pcs			1pcs			



Step 22

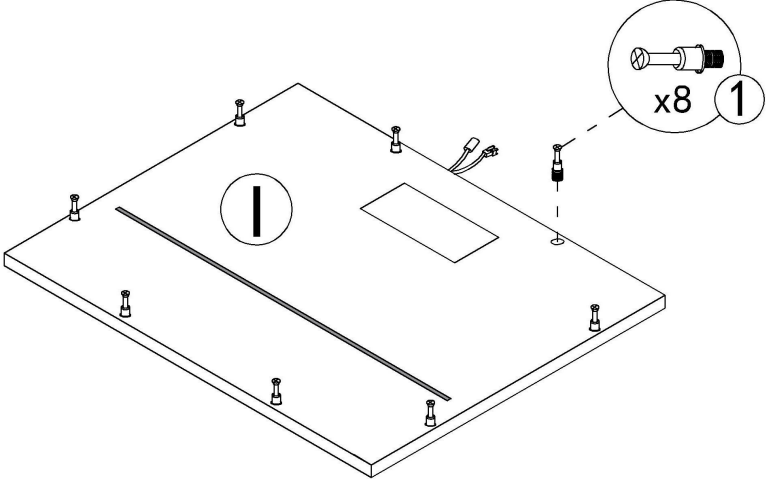
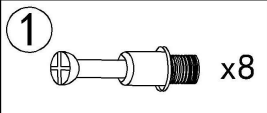


Step 23

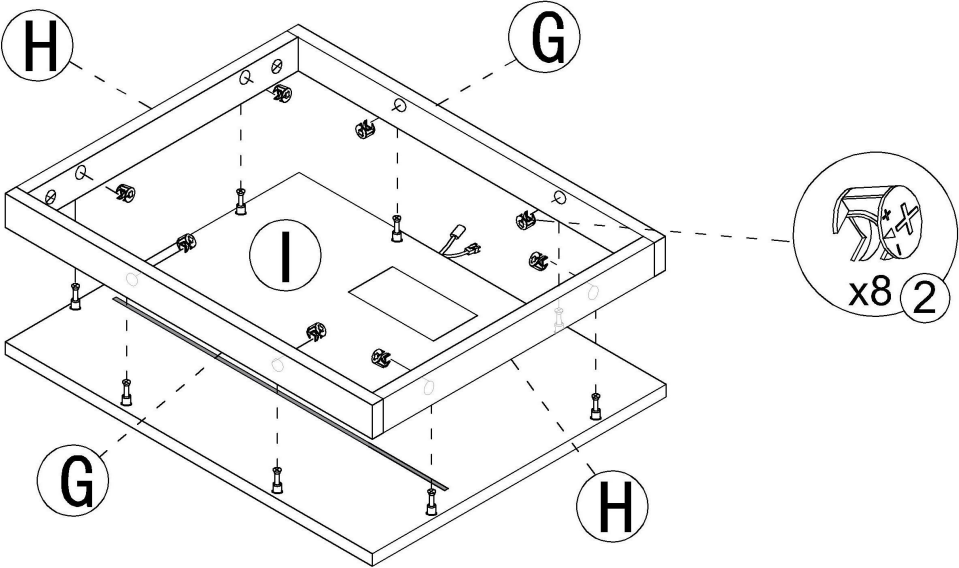


Pay attention to the hole position

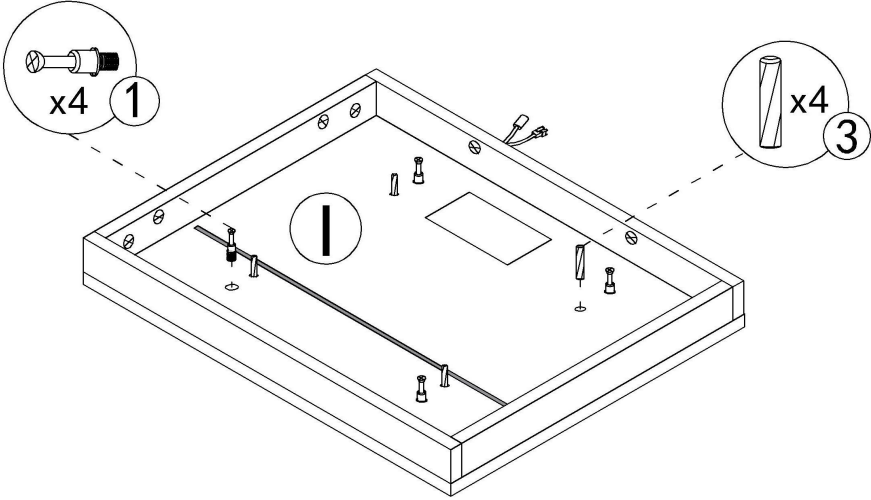
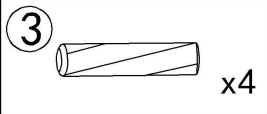
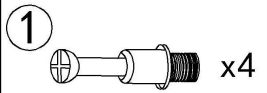
Step 24



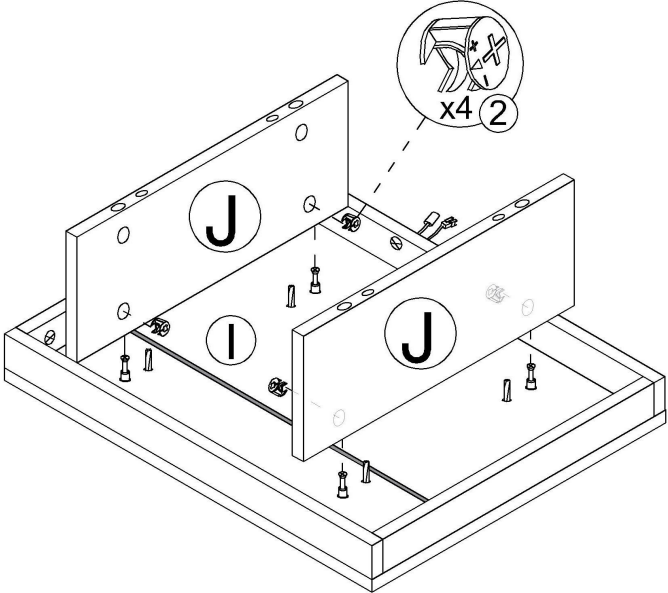
Step 25



Step 26



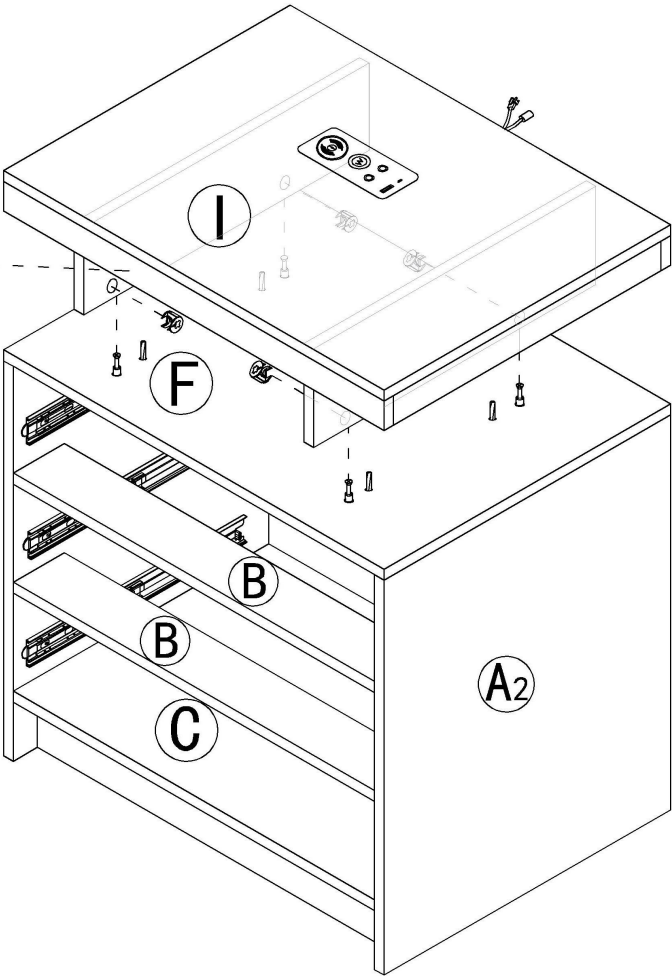
Step 27



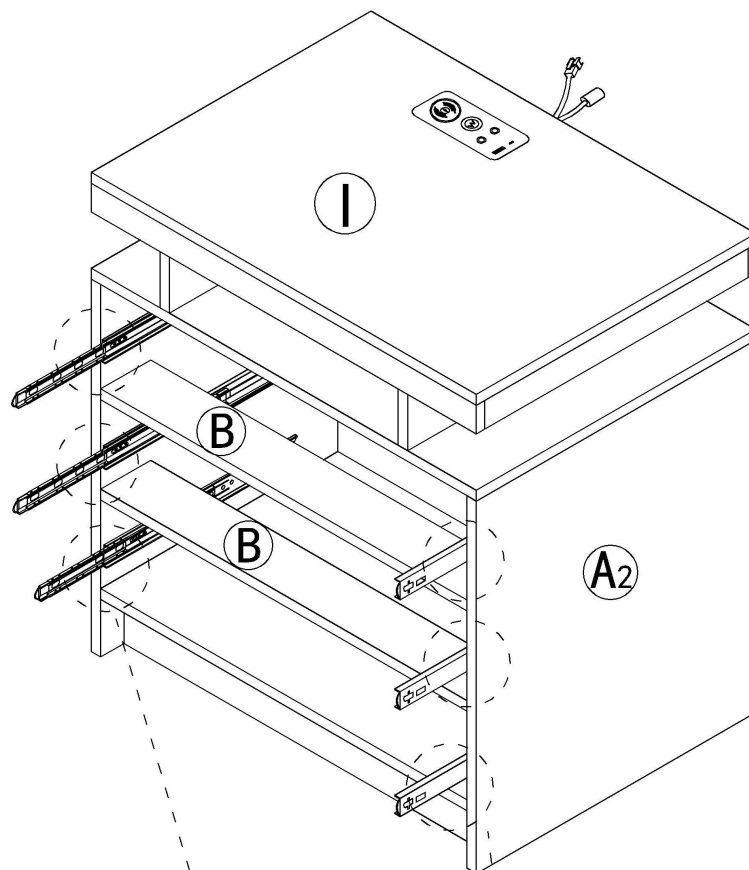
Step 28

2  x4

 x4 2

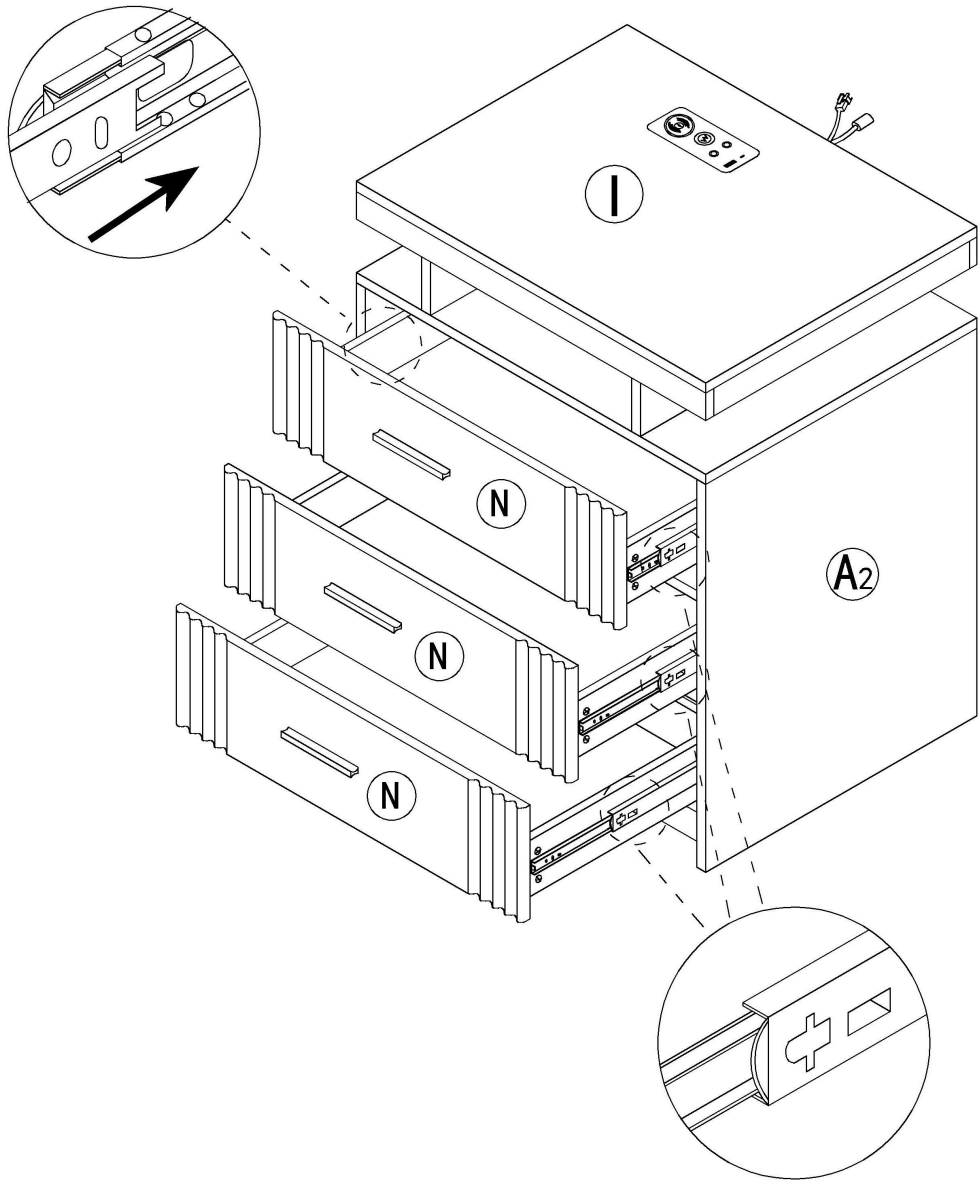


Step 29

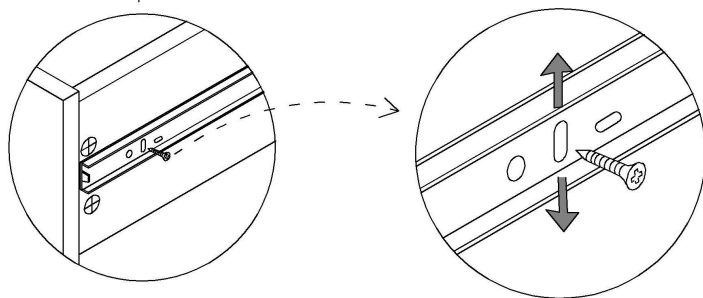
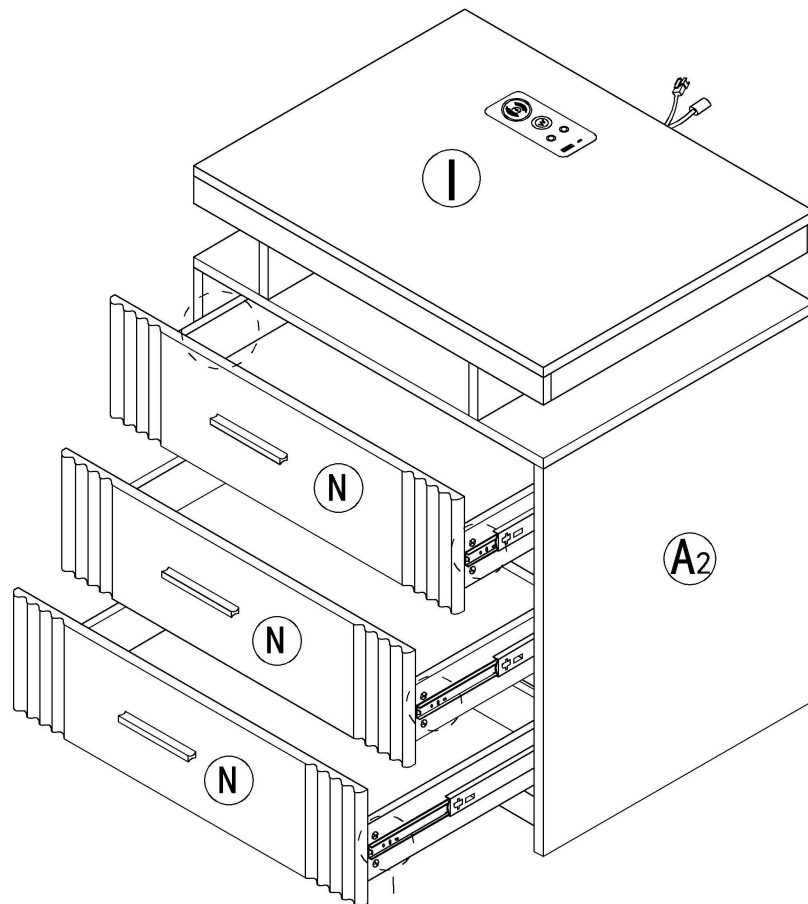


As shown, When installing the drawer,  
pull the guide rail out first, Slide beads are also pulled out.

Step 30

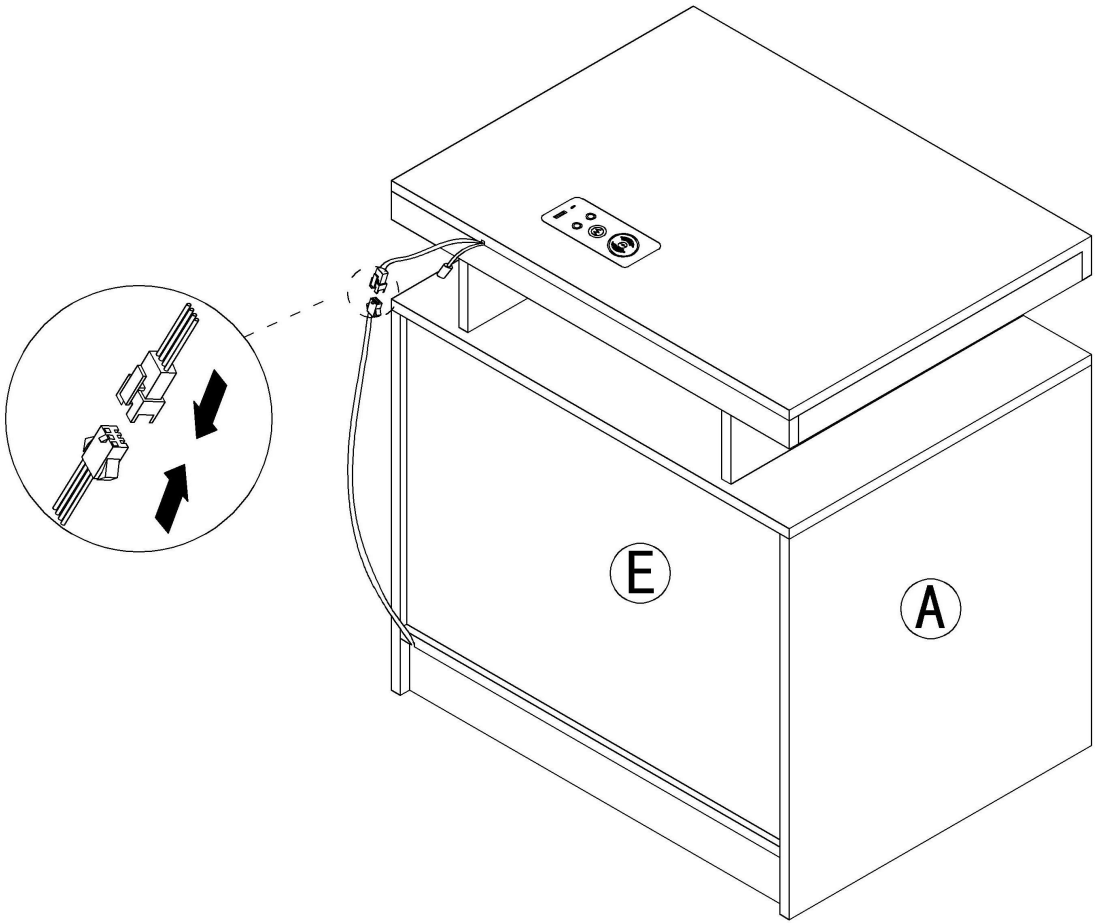


Step 31

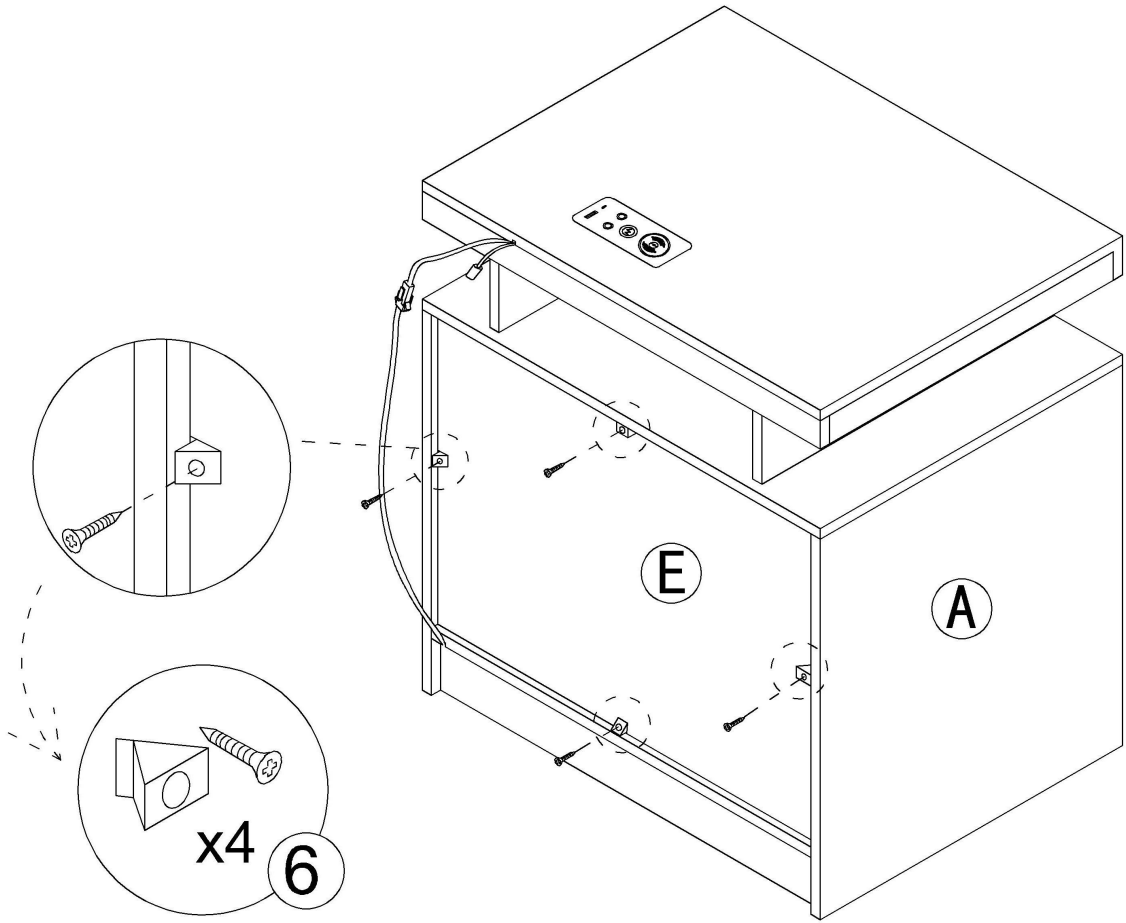
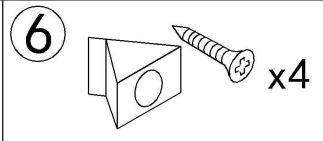


If a large gap is found after installing the drawer the slide rail can be moved up and down to adjust the gap

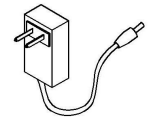
Step 32



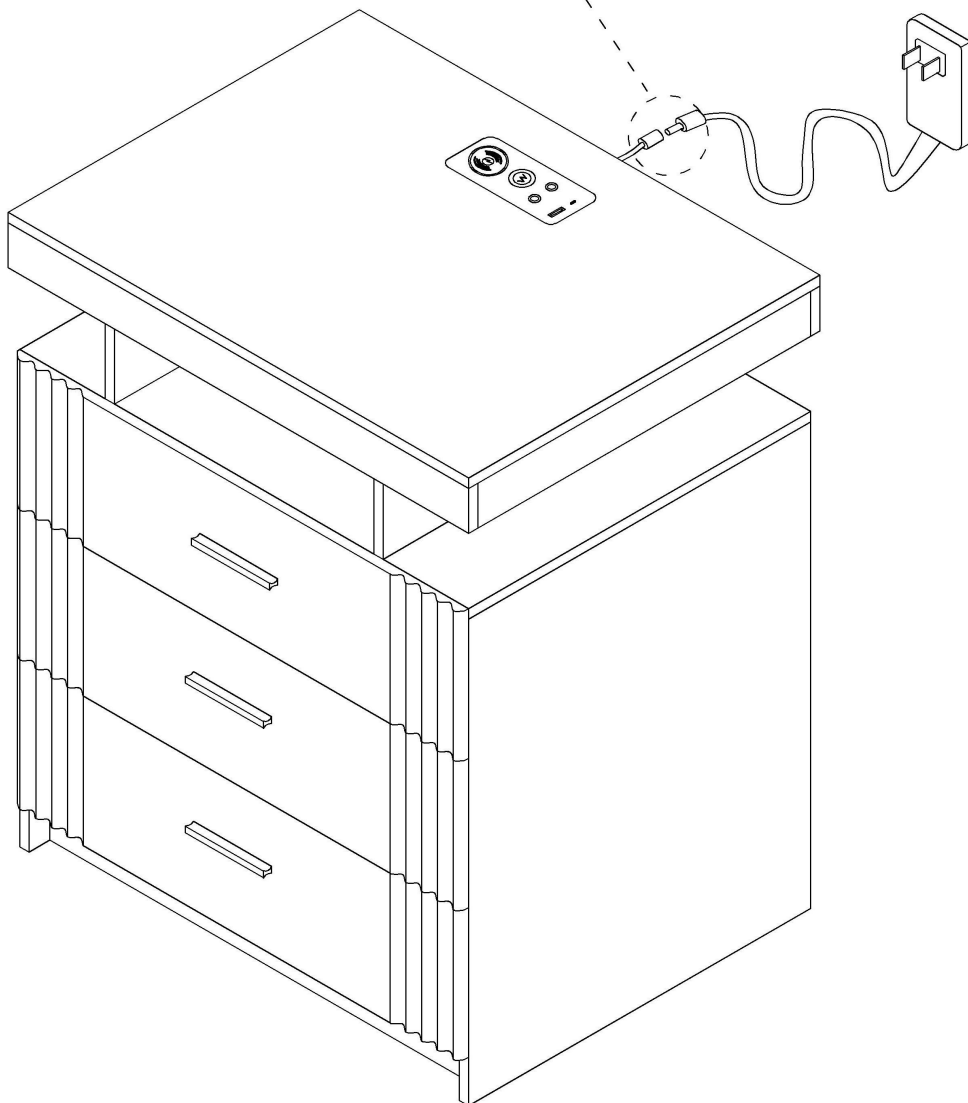
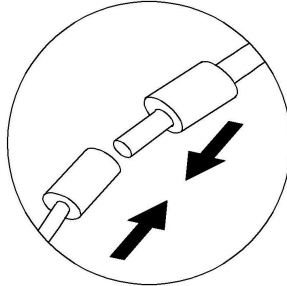
Step 33



Step 34



x1



29



## User's Guide

Thank you for purchasing this product.

To use this product, please plug it into a 12V DC power supply.

Please use it if the product works normally after connecting to power.

## Introduction

The box is an intelligent controller which integrates the charging function and the lighting control function, coming with 1 USB port and 1 type-C port, 2 touch buttons, a 24-color lighting control button, and a wireless charger.

## Operation



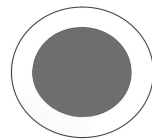
This touch button is used to turn on/off lights and adjust brightness.

A. Long touch -> adjust the luminance.

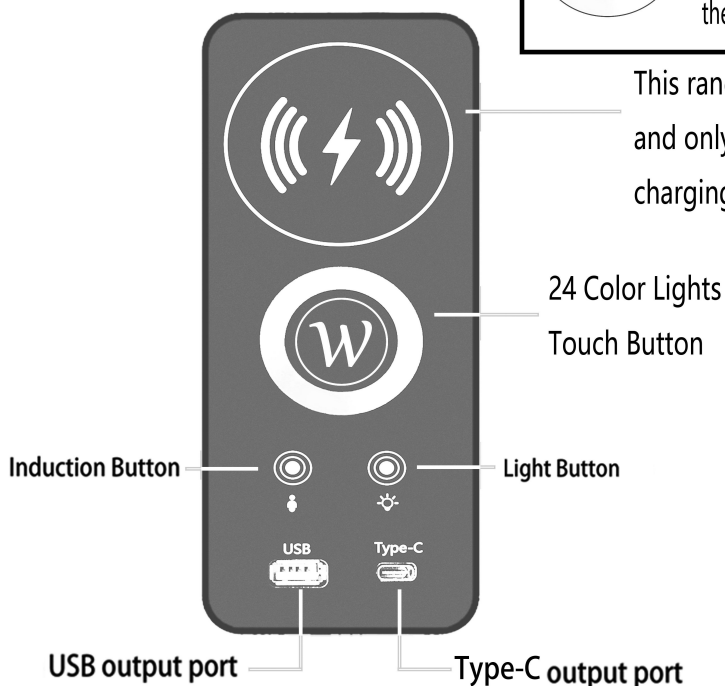


This touch button is used to turn on/off the induction function.

- A. Short touch to turn on the induction function. It can auto-turn on the light when people are close to the controller within 1 meters. It can auto power off the light when the body is far away from the controller after 30 seconds.
- B. Long touch to turn off the induction function.
- C. Note: When you touch the light button to change the light modes, the induction function will automatically turn off. It is best to turn on this function after selecting the light color and adjusting the brightness you want.



This touch button is used to change 24 colors light. You can rotate the ring to choose colors, or click the ring to choose colors. Click in the middle of the ring, and reset to the white light.



This range is a wireless charging area, and only mobile phones with wireless charging function can be charged.



### ATTENTION PLEASE

1. If there is no touch response suddenly, Re-plug the power to reset the touch static electricity.
2. If bubbles appear on the panel, remove the protective film.
3. If you have any questions when installing, please feel free to contact us. Thank you.