



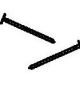



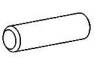

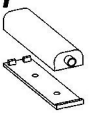

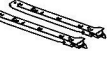
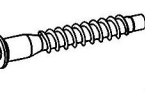
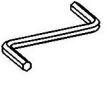

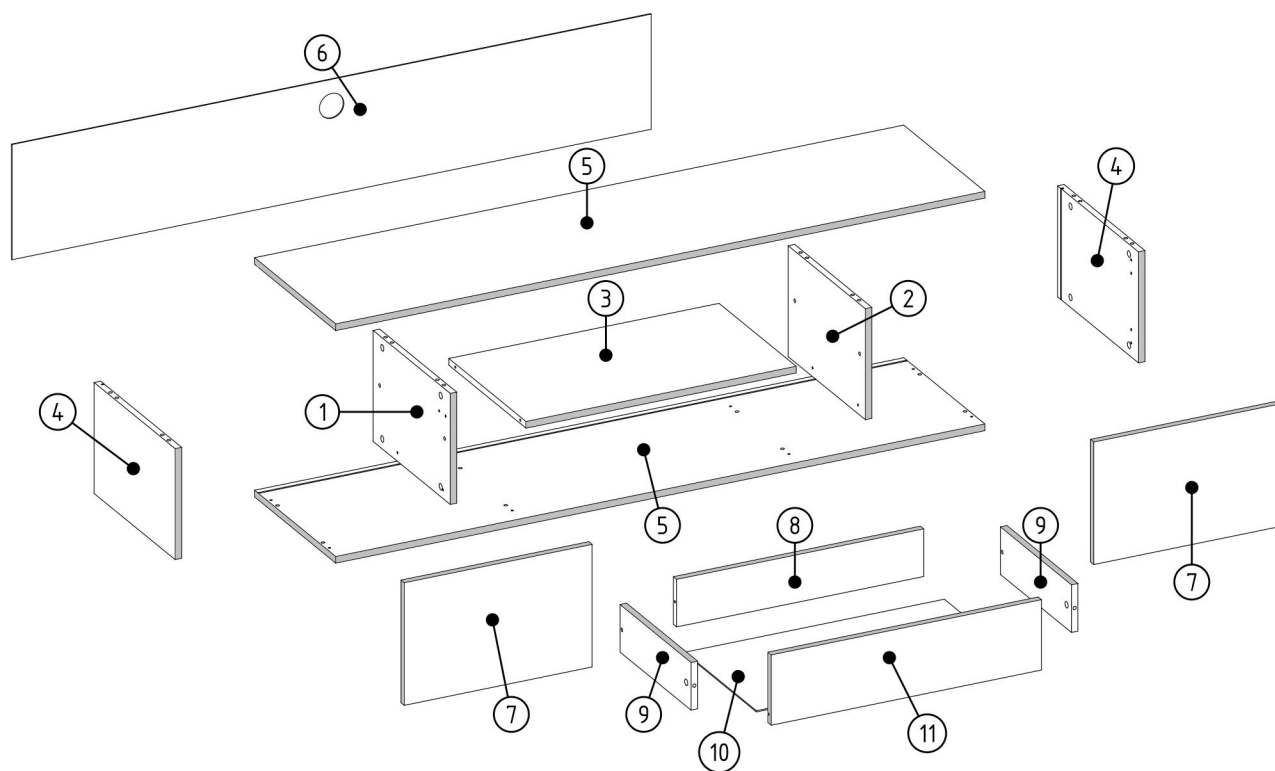
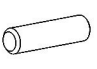

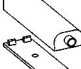

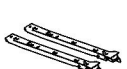
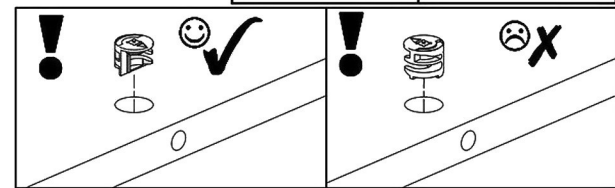
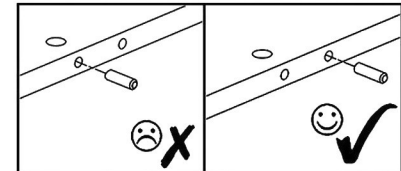
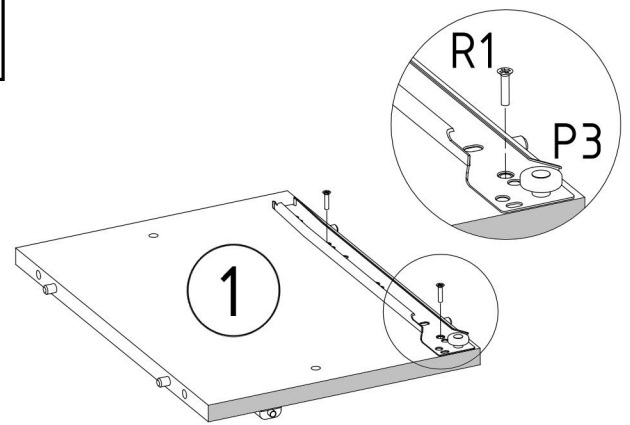
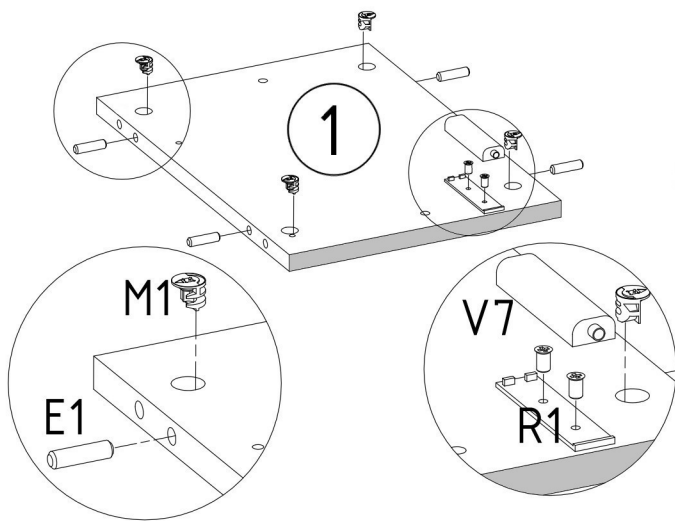


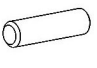



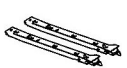
<p>T5</p>  <p>x5</p>	<p>S9</p>  <p>x20</p>	<p>B1</p>  <p>S-A ø17/4-5mm</p> <p>x2</p>	<p>B1</p>  <p>CZ ø17/4-5mm</p> <p>x2</p>	<p>Z1</p>  <p>x30</p>	<p>V30</p>  <p>x16</p>	<p>S1</p>  <p>3,5x16mm</p> <p>x12</p>	<p>A1</p>  <p>ZP</p> <p>x4</p>
<p>E1</p>  <p>8x30mm</p> <p>x16</p>	<p>M1</p>  <p>12x15mm</p> <p>x18</p>	<p>V7</p>  <p>x3</p>	<p>R1</p>  <p>6x8mm</p> <p>x10</p>	<p>P3</p>  <p>L=350mm</p> <p>x1</p>	<p>F1</p>  <p>7x50mm</p> <p>x6</p>	<p>F3</p>  <p>Hex 4mm</p> <p>x1</p>	<p>N1</p>  <p>L=35mm</p> <p>x18</p>

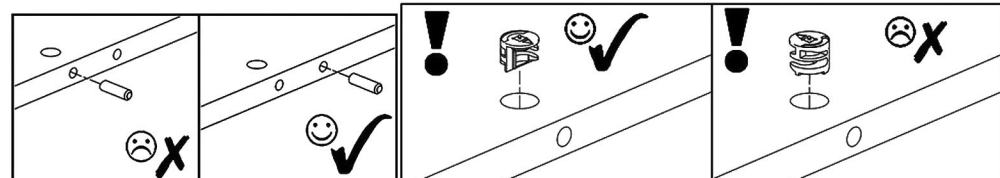
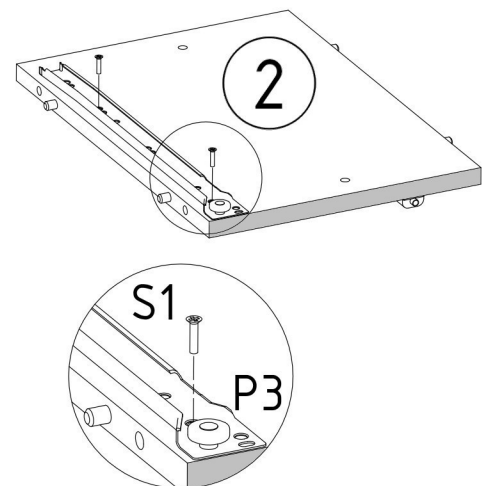
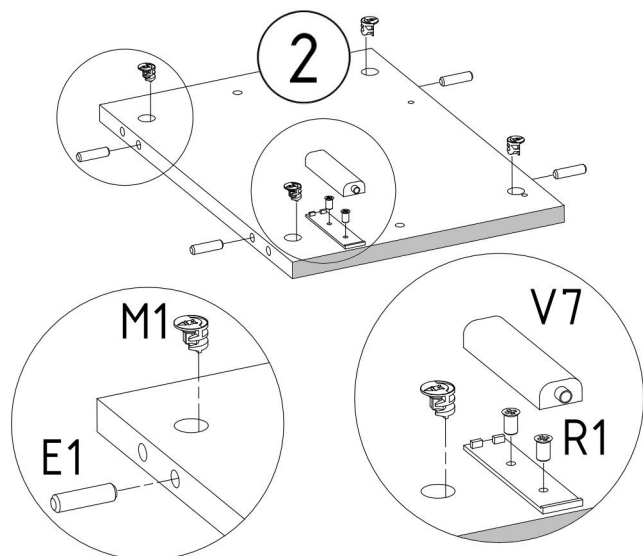


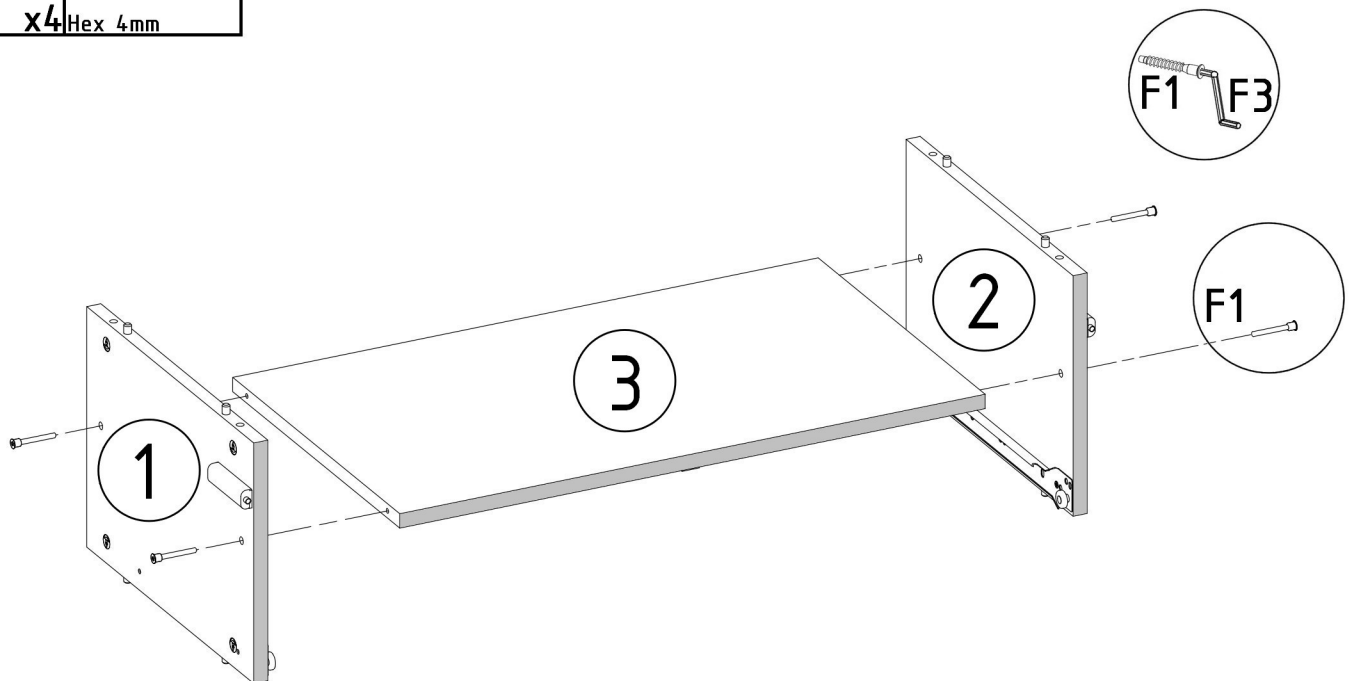
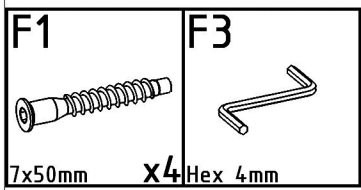
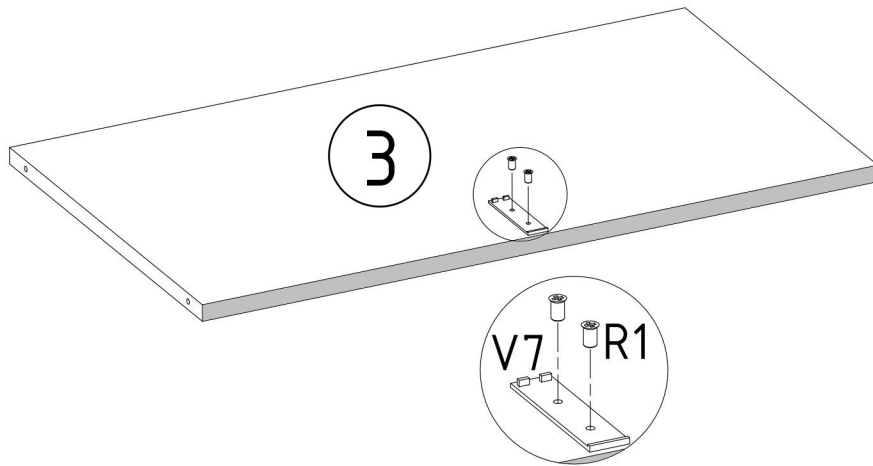
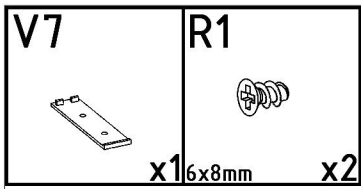
1	x	1
2	x	1
3	x	1
4	x	2
5	x	2
6	x	1
7	x	2
8	x	1
9	x	2
10	x	1
11	x	1



E1 	M1 	V7 	R1 	P3 
8x30mm	X4 12x15mm	X4	X1 6x8mm	X4 L=350mm

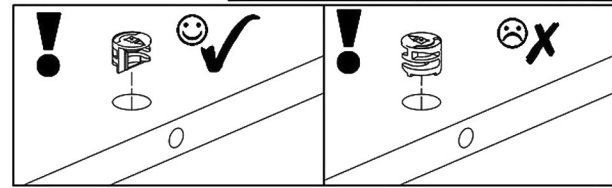
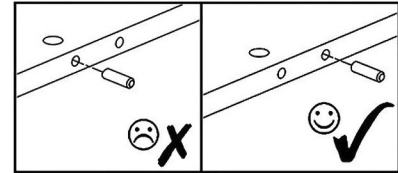
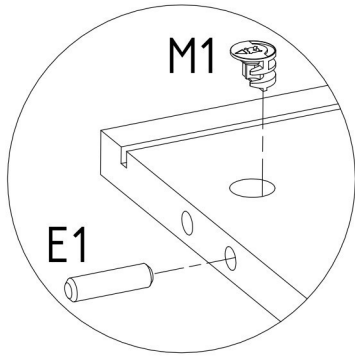
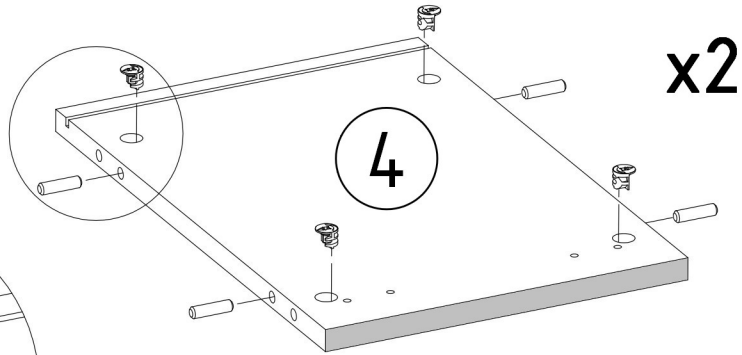



E1 	M1 	V7 	R1 	P3 
8x30mm	X4 12x15mm	X4	X1 6x8mm	X4 L=350mm

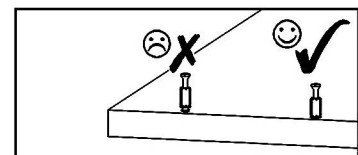
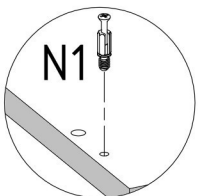
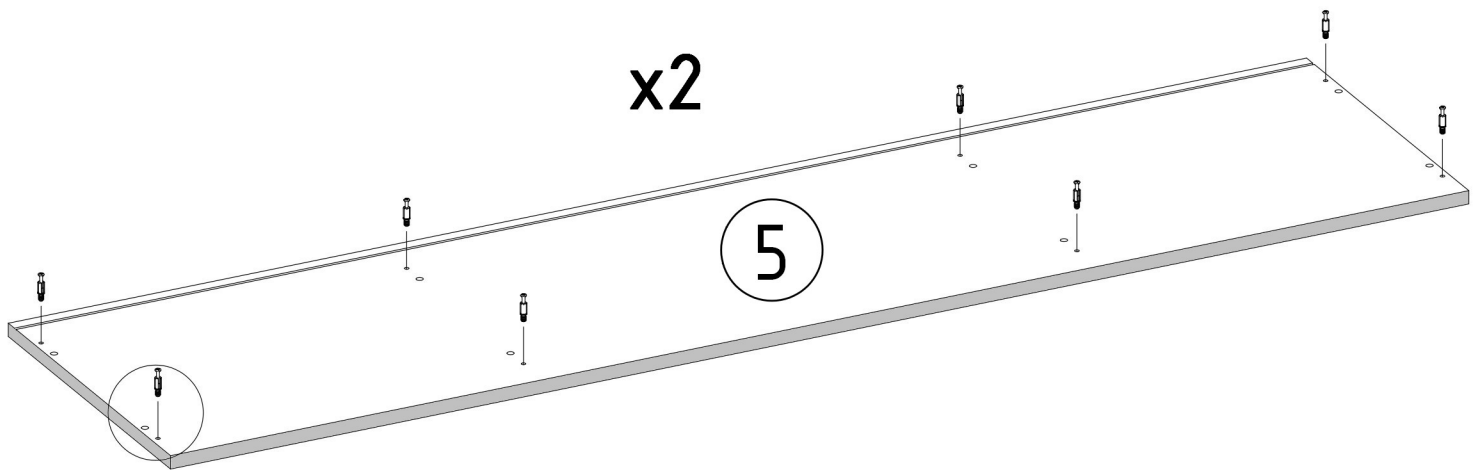


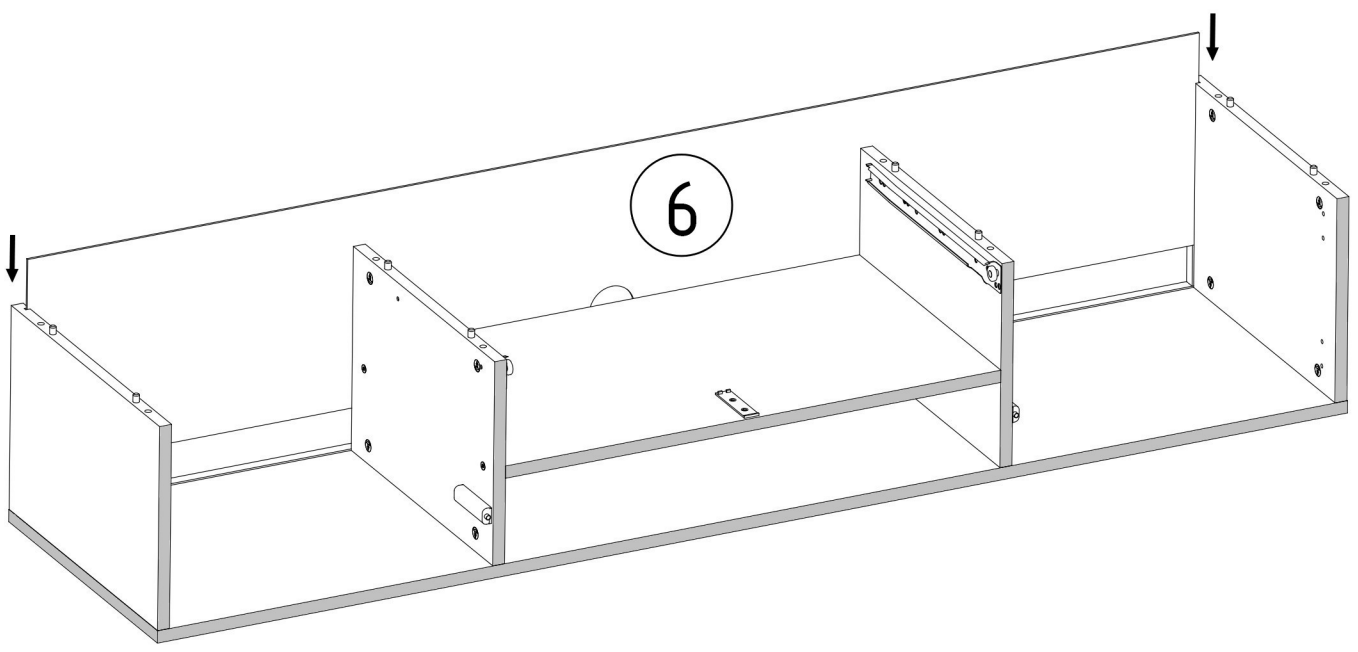
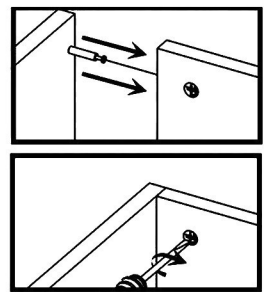
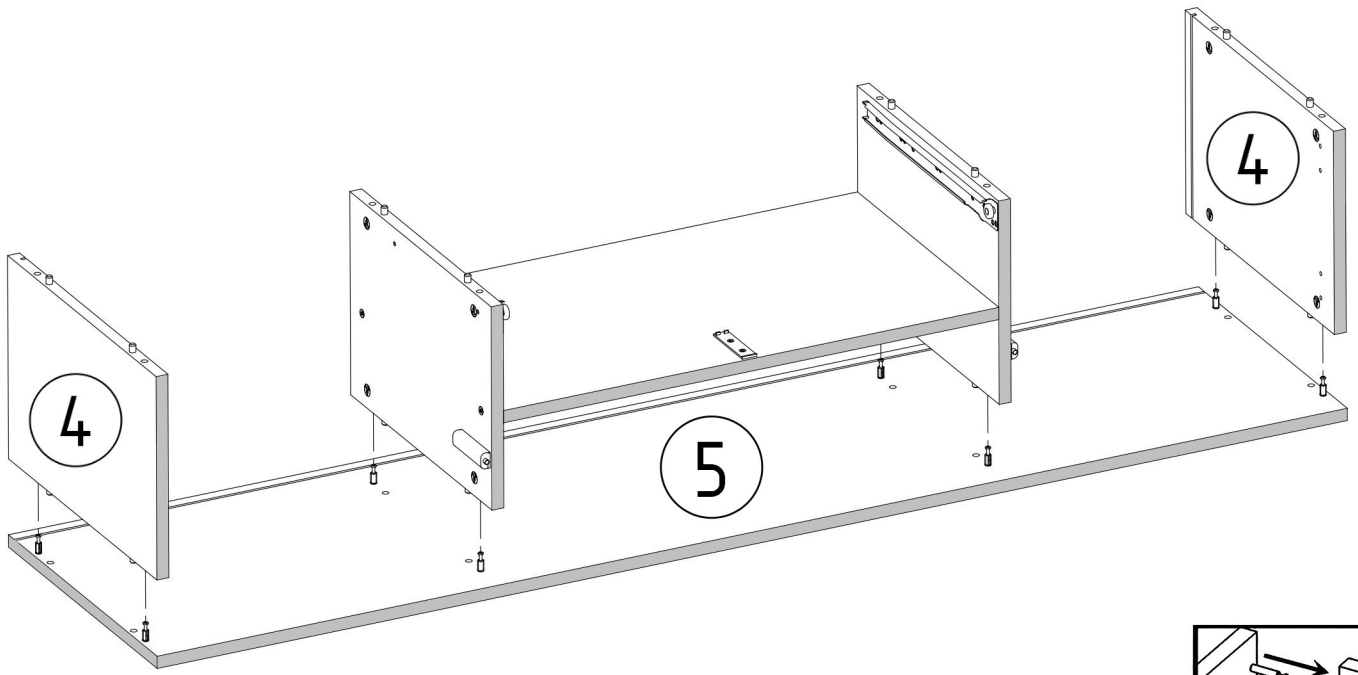


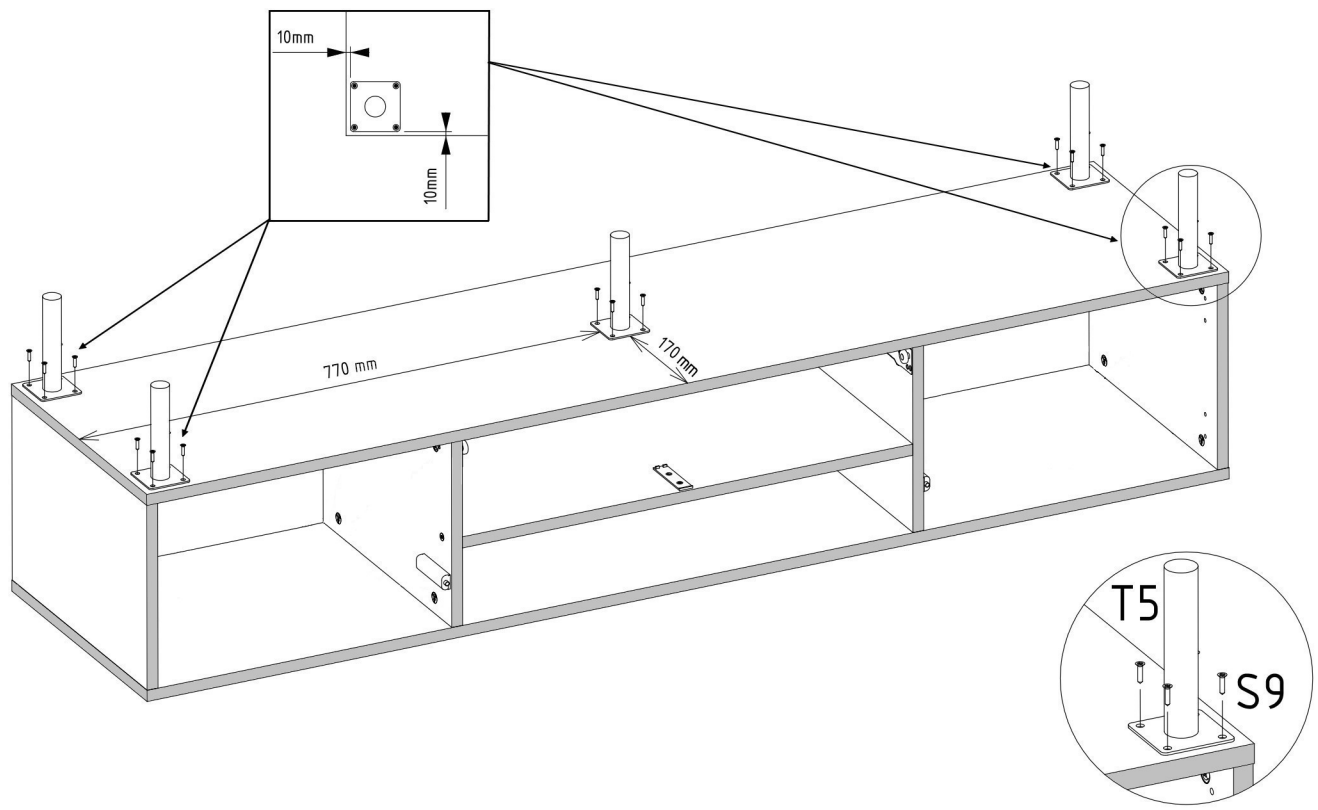
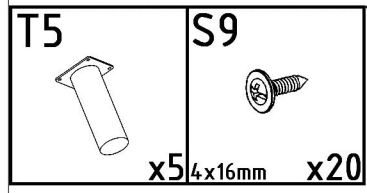
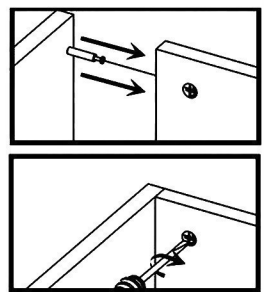
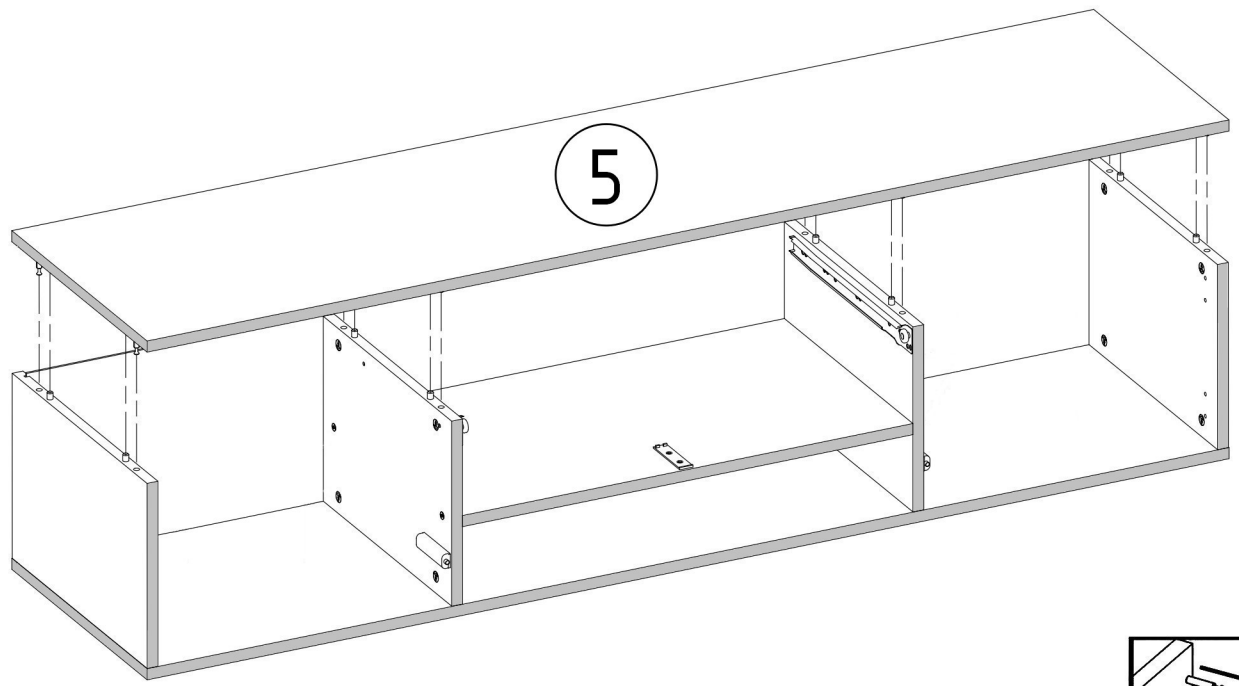
M1  12x15mm x8	E1  8x30mm x8
---	---

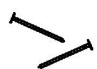



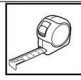
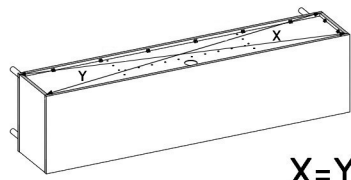
N1  L=35mm x16



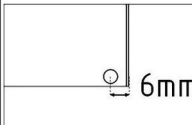




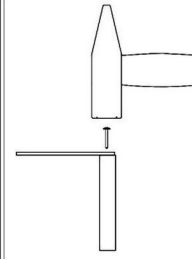
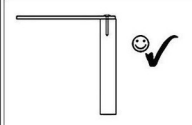

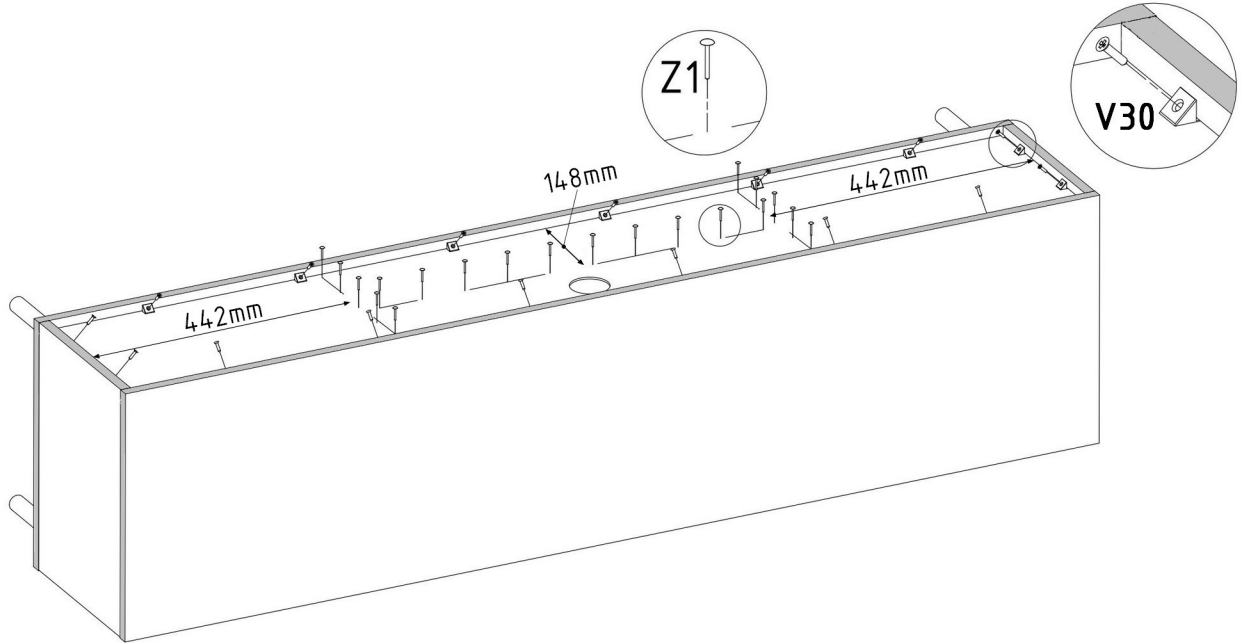
<p>Z1</p>  <p>x24</p>	<p>V30</p>  <p>x16</p>
--	--

X=Y



6mm



442mm

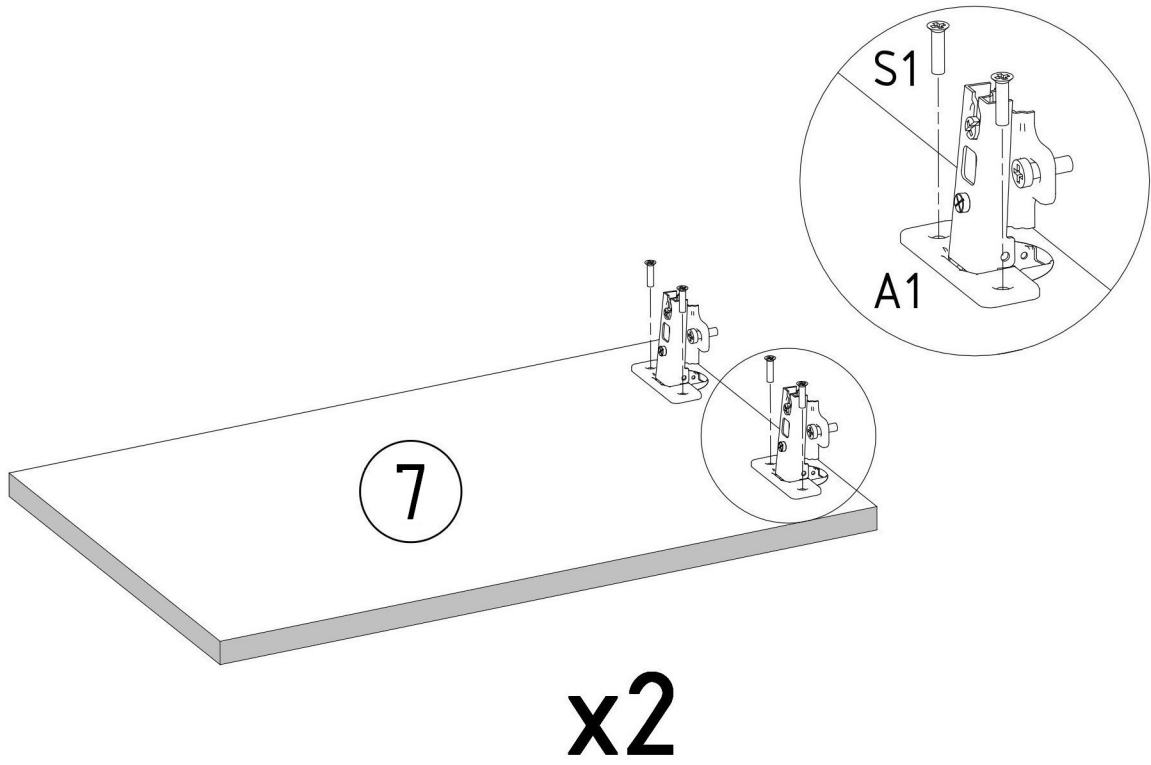
148mm

442mm

Z1

V30

<p>S1</p>  <p>3,5x16mm x8</p>	<p>A1</p>  <p>ZP x4</p>
--	---



7

S1

A1

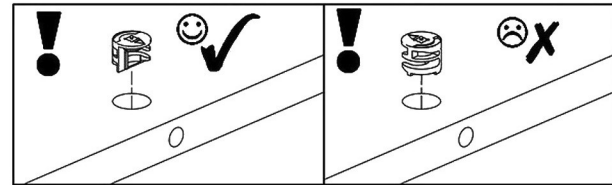
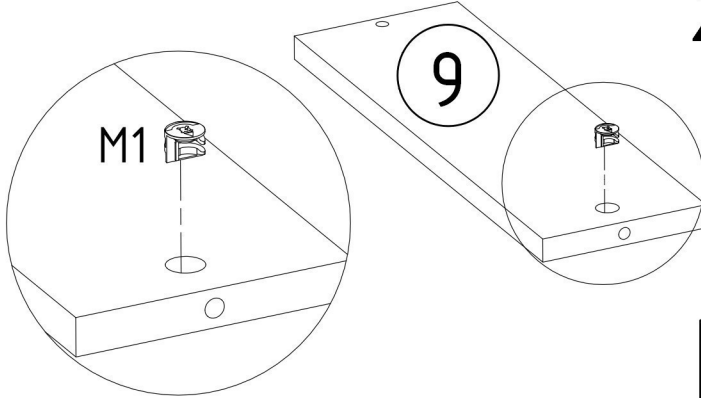
x2

M1



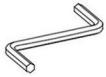
12x15mm x2

x2

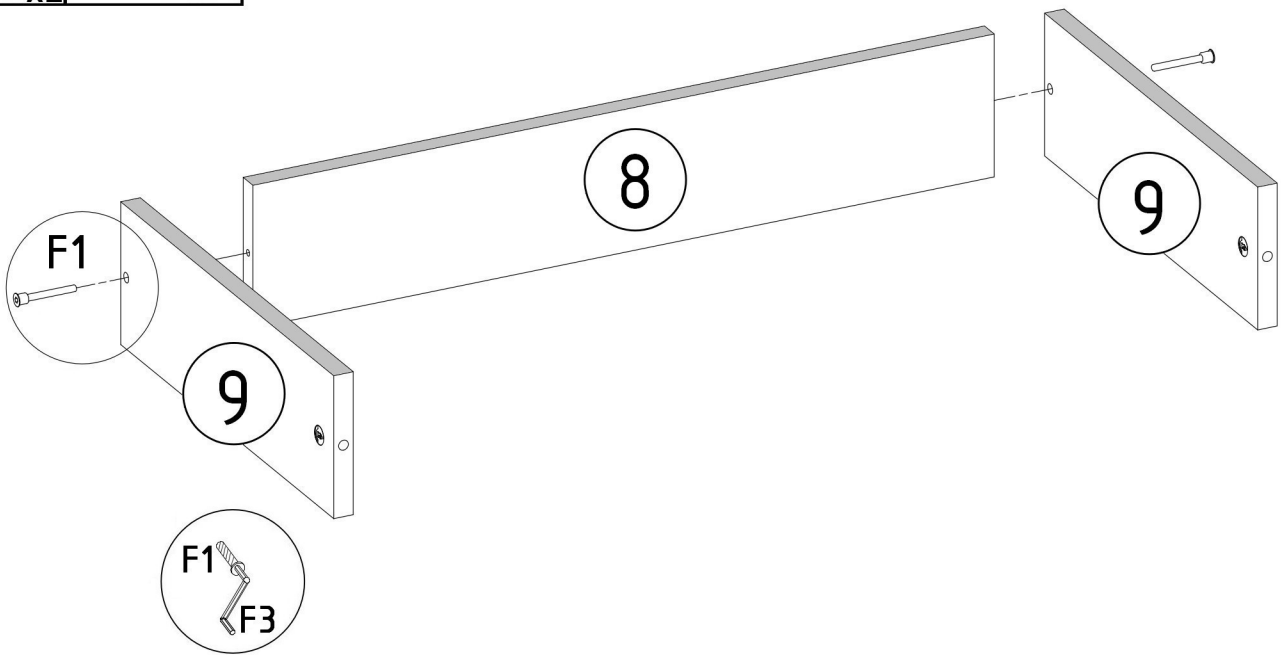


F1

F3



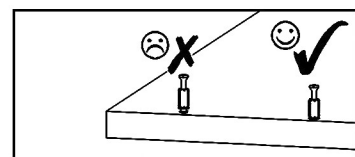
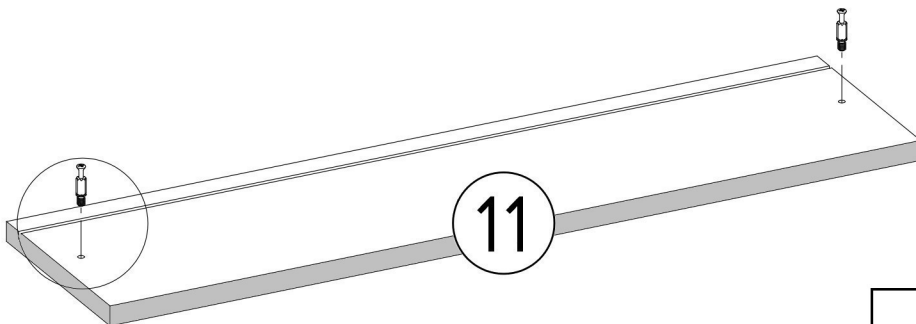
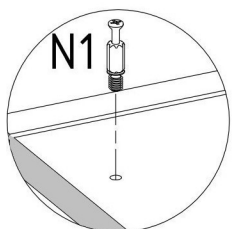
7x50mm x2




N1



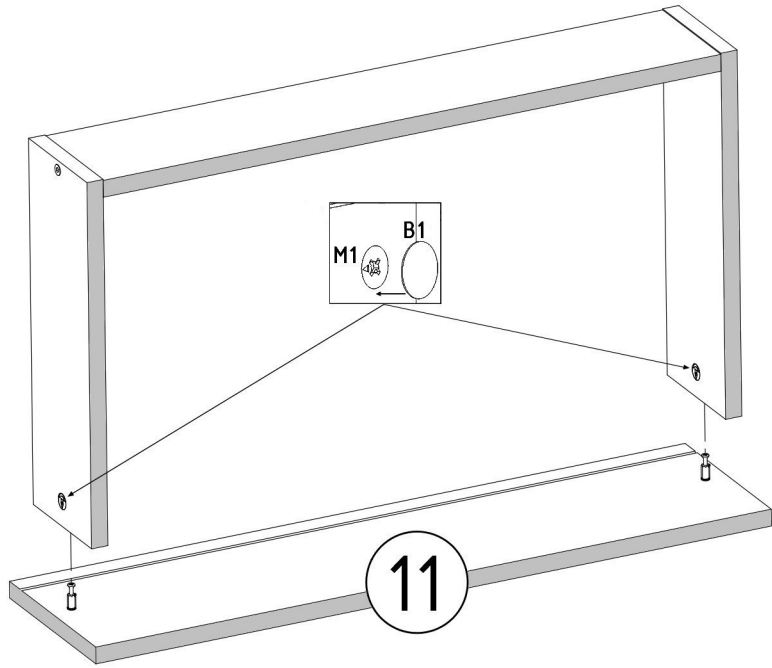
L=35mm x2



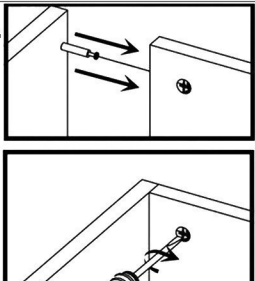
B1



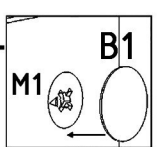
ø17/4-5mm x2



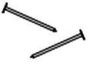
1.



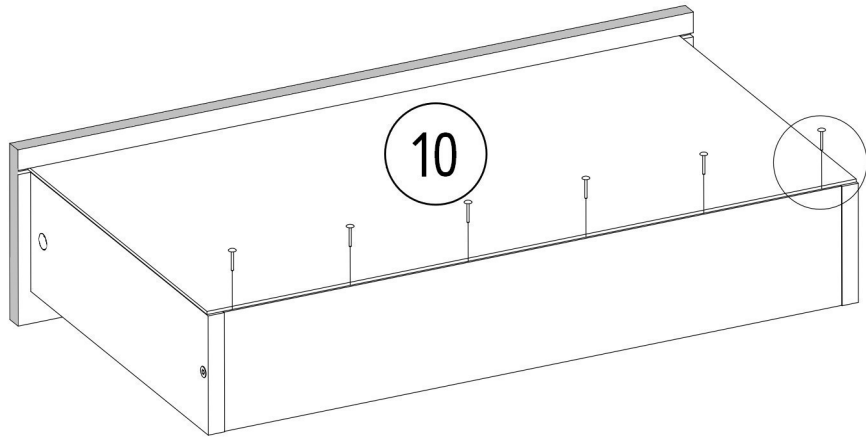
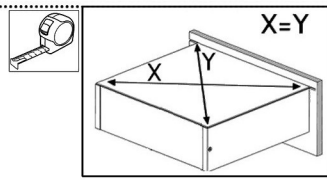
2.



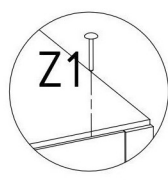
Z1



x6





X=Y




Z1

S1

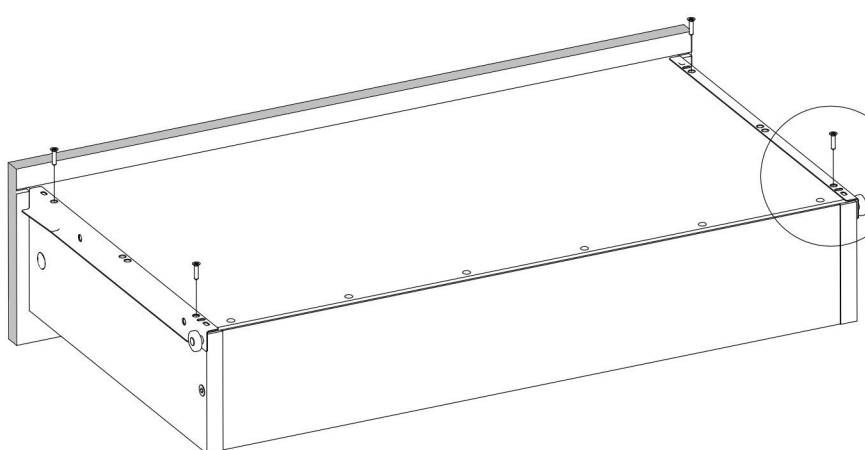
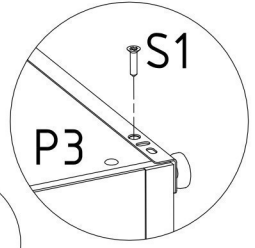


3,5x16mm x4

P3



L=350mm x2

S1

P3

