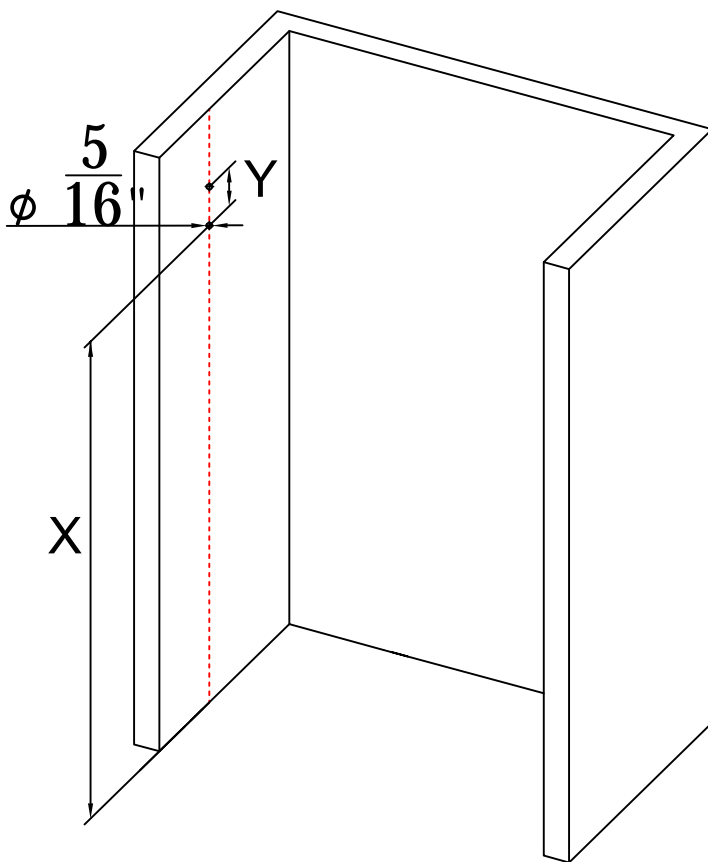


DS13 Punch map



Product Height	X	Y
60"	55-7/8 "	7/8 "
66"	61-7/8 "	7/8 "
72"	67-7/8 "	7/8 "
76"	71-7/8 "	7/8 "
79"	74-7/8 "	7/8 "

Note: Same punching data for both walls