

how to set up

bi-fold boxspring : 7.5"

Twin, Twin XL, Full, Queen

A global design company committed to bringing delight & ease to your everyday by creating fine quality home furnishing essentials that are user-centric in principle, innovative in function, conscious in sourcing and approachable in prices.

Whether you're a fresh graduate graduating the dorm life, a couple figuring out how to combine two homes, a work-from-homer or a 'home is exclusively for rest' kind of person, We cares about you and is focused on making your moments at home just right.

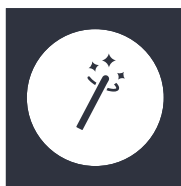
We travel around the world in search of ingenious industry experts and fine quality materials so that we can get you those thoughtfully-designed and consciously-made products essential to keeping it.

MISSION

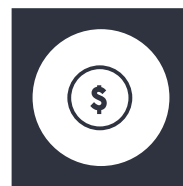
HOME DESIGNS MADE EASY



**free shipping
always**

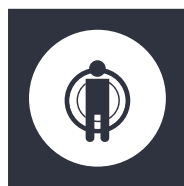


**ready & easy
to set up**

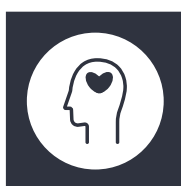


**accessible
price range**

DESIGNS MADE WITH YOU IN MIND



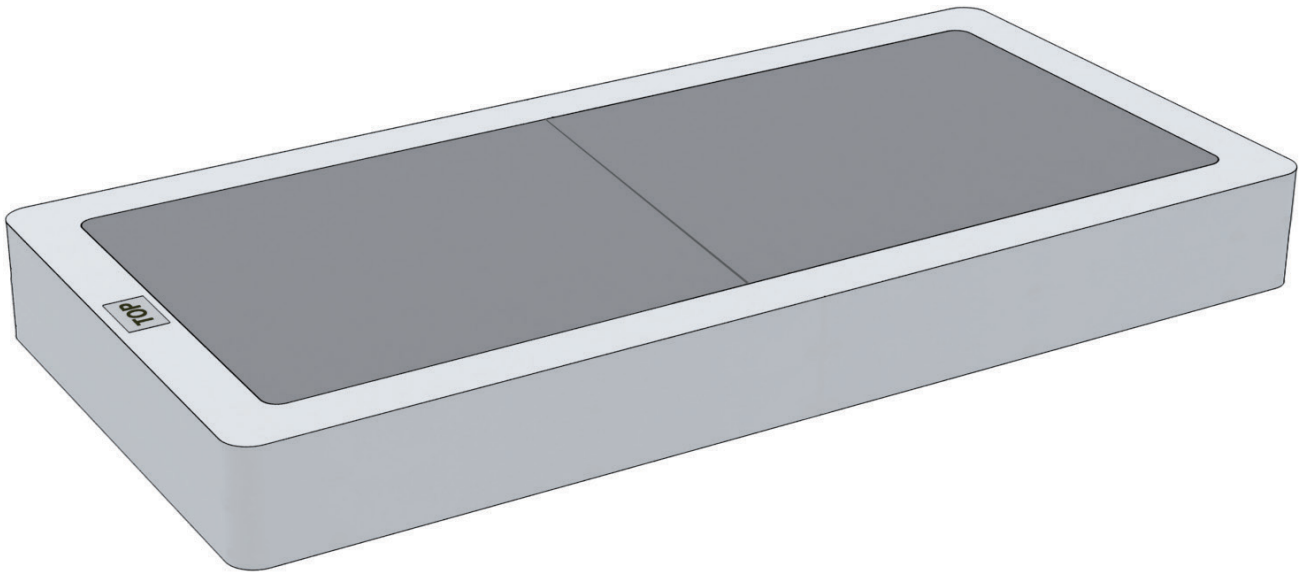
**human-centered
design**



**functions that
delight**

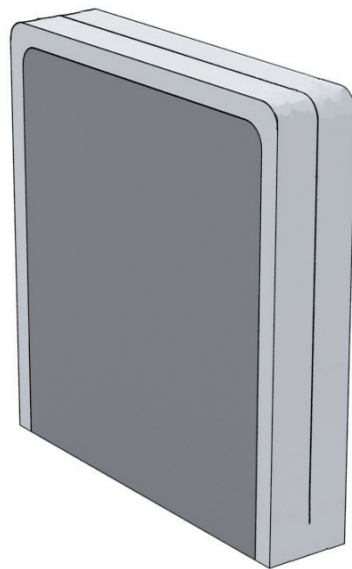


**safe sourcing
practices**



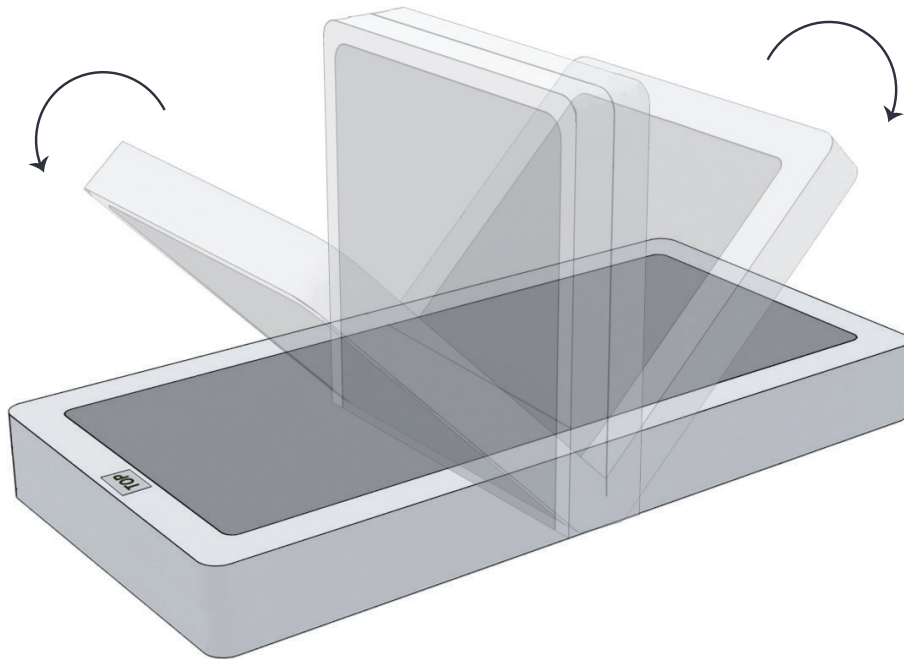
bi-fold boxspring : 7.5"

- Twin, Twin XL, Full, Queen

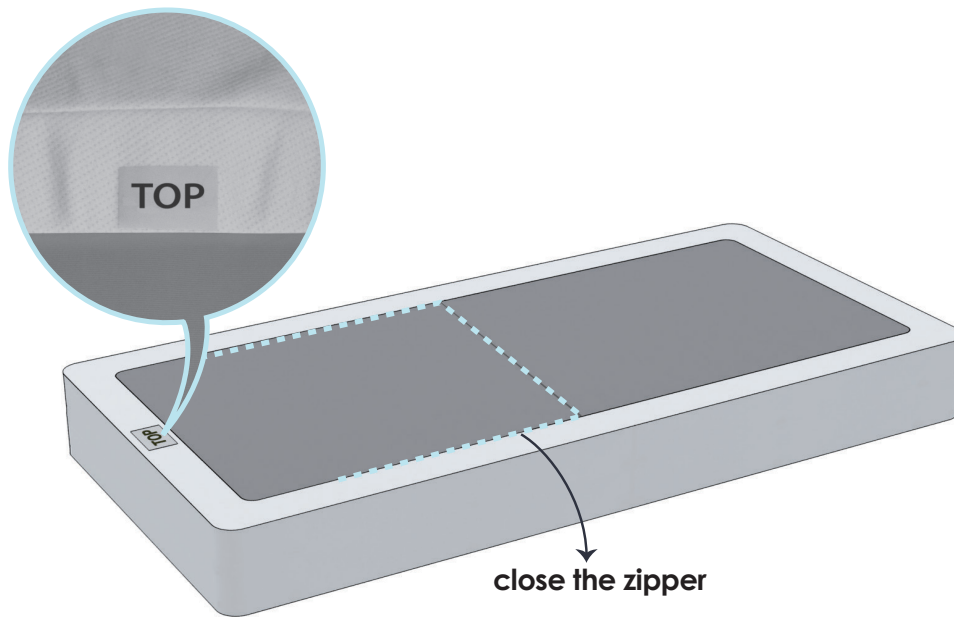


x 1pc

1



2



EN THIS PRODUCT REQUIRES ADULT ASSEMBLY

If any part is missing or if you have any questions regarding this product, please contact our customer service team by phone or email with this assembly manual open to the components list, ready to provide the model name and component number.



WARNING

Remove mattress and all other objects while moving the assembled unit.



CHOKING HAZARD

Small parts.
Not intended for children.



PREVENT HAND INJURIES

Please use caution when assembling. Avoid placing fingers between frame structure while unfolding.