

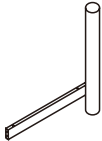
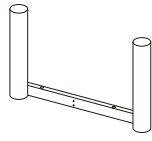




2406562

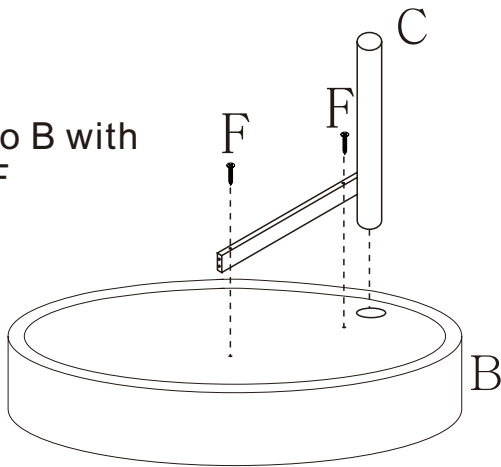
ASSEMBLY INSTRUCTIONS

<<Before assembling, read all the instructions>>

 Ax1	 Bx1	 Cx1	 Dx1
 Ex3	 Fx6		

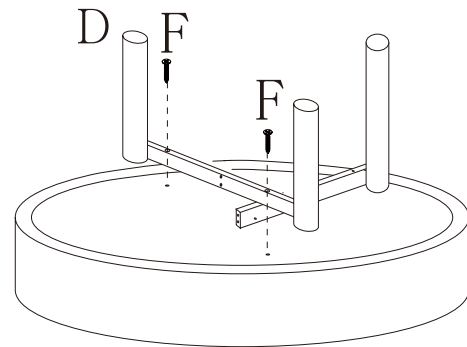
STEP 1

Fix Part C to B with Hardware F



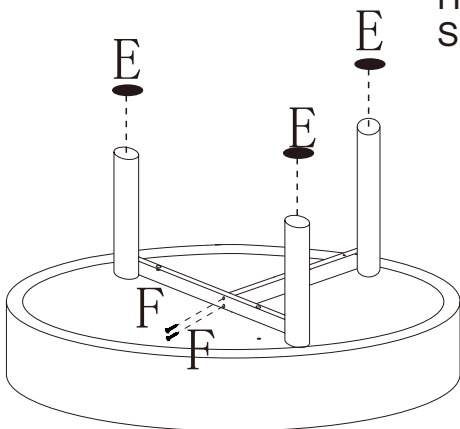
STEP 2

Fix Part D on B with Hardware F

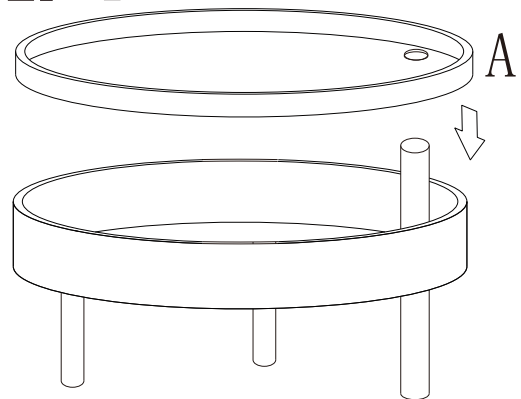


STEP 3

Lock Part D to C with Hardware F
Stick Part E to C&D



STEP 4



Turn the table upside down and put Part A on B

