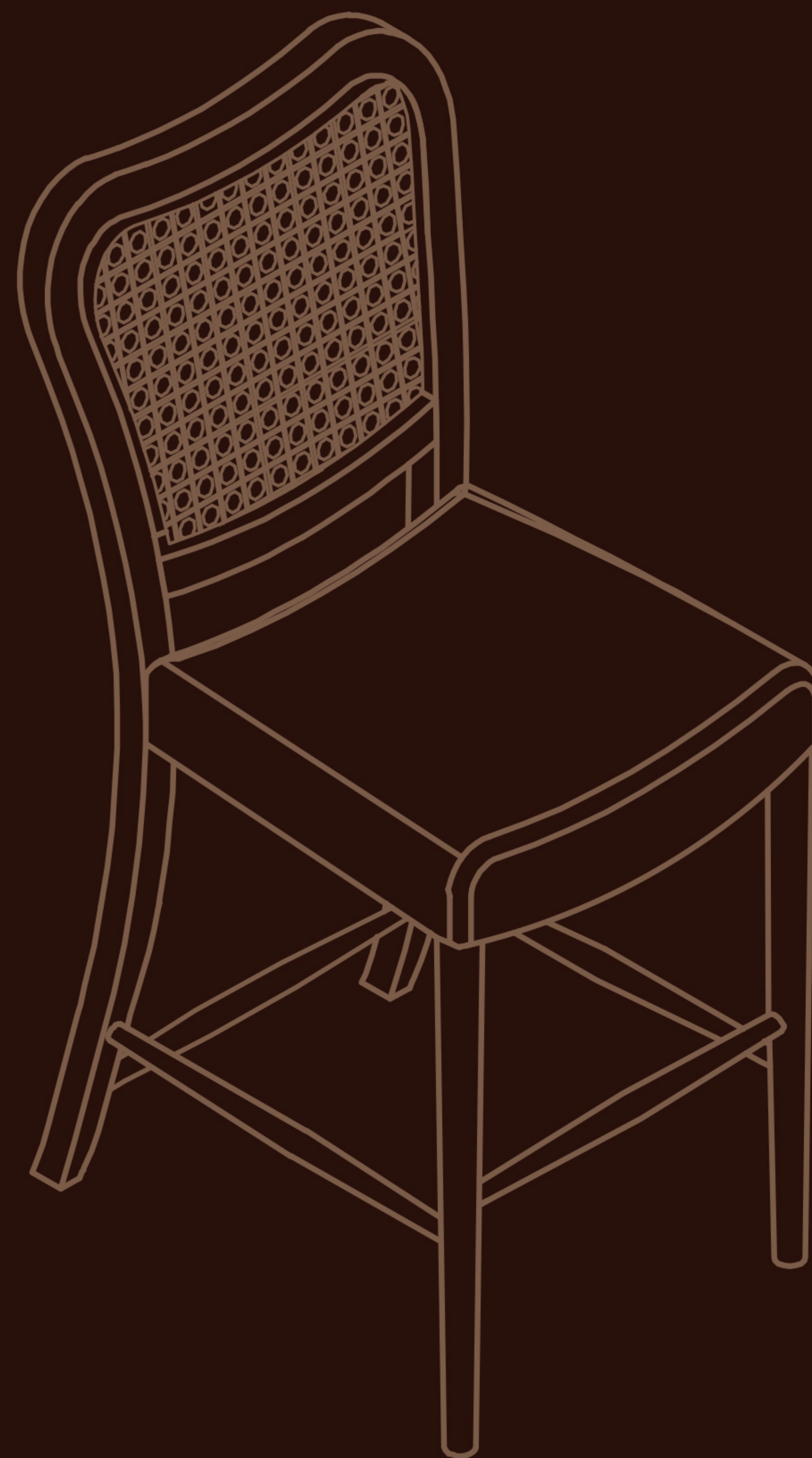




CLASSICAL  
**VERA**  
STOOL



## ABOUT US

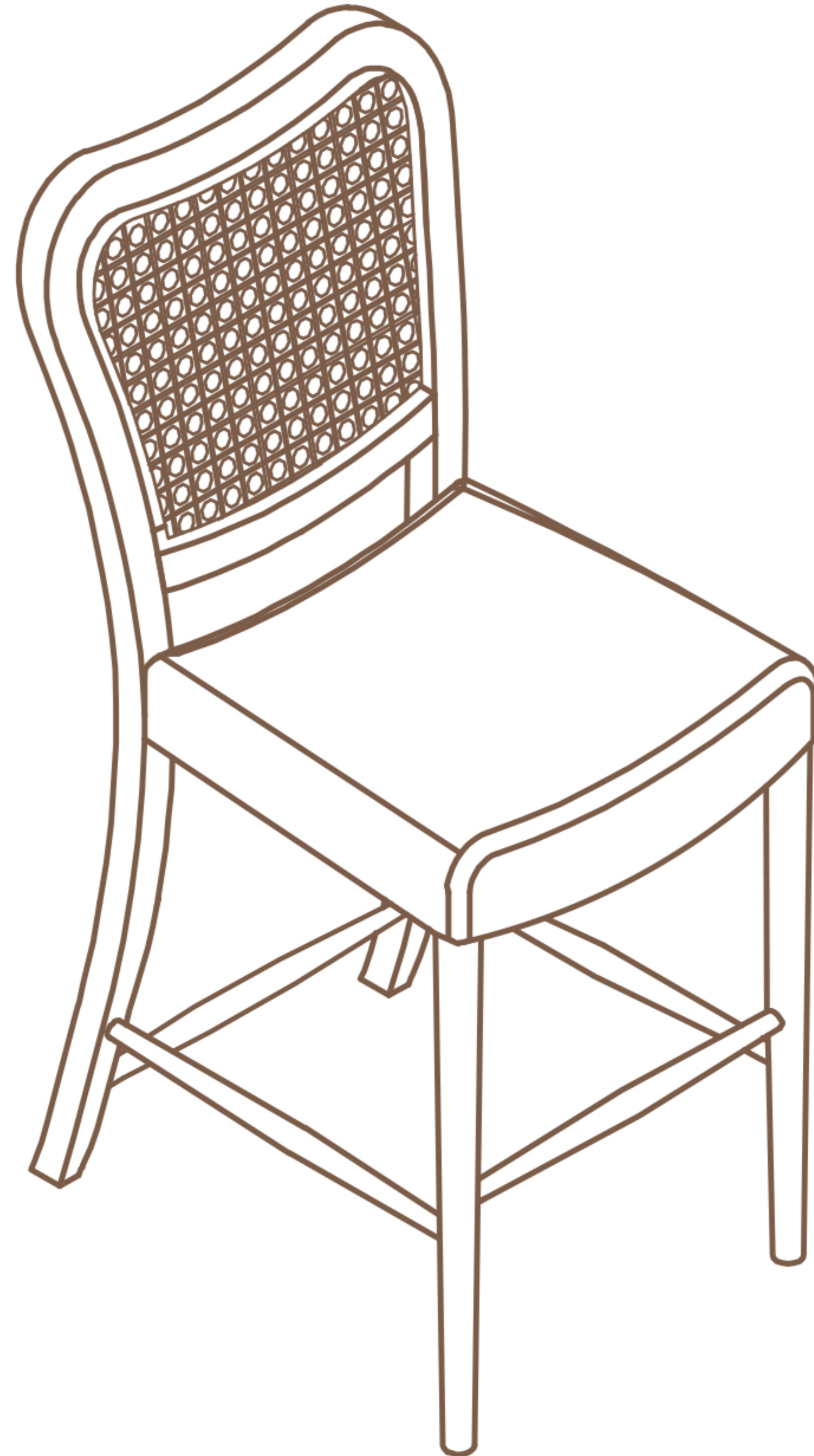
As unique individuals, we all have our own ways of expressing ourselves. Through expression, we open doors to new opportunities and communicate to the world.

At Maven Lane, we understand the profound impact that home design can have on personal expression. Our homes serve as our nests, reflecting our individual styles, personalities, and values. They are the spaces where we create meaningful memories and moments of comfort and peace.

With this in mind, we set out to bring the finest in design, materials, and customer service directly to our customers, all at an attainable price point. Whether you're seeking to elevate your mornings with a cozy sanctuary or host laughter-filled dinners with loved ones, we are dedicated to helping you create a space that truly reflects who you are and what you aspire to be.



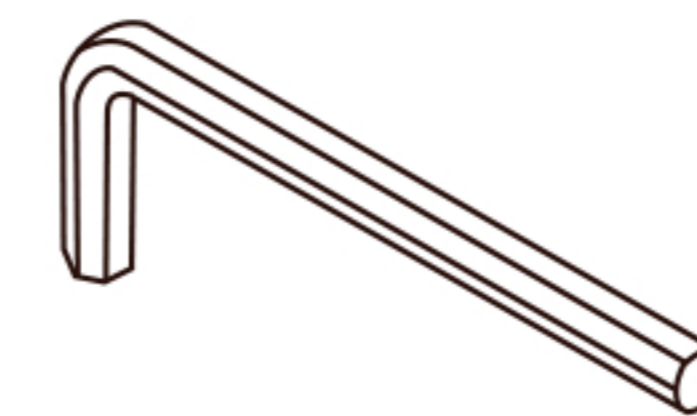
# ASSEMBLY INSTRUCTIONS



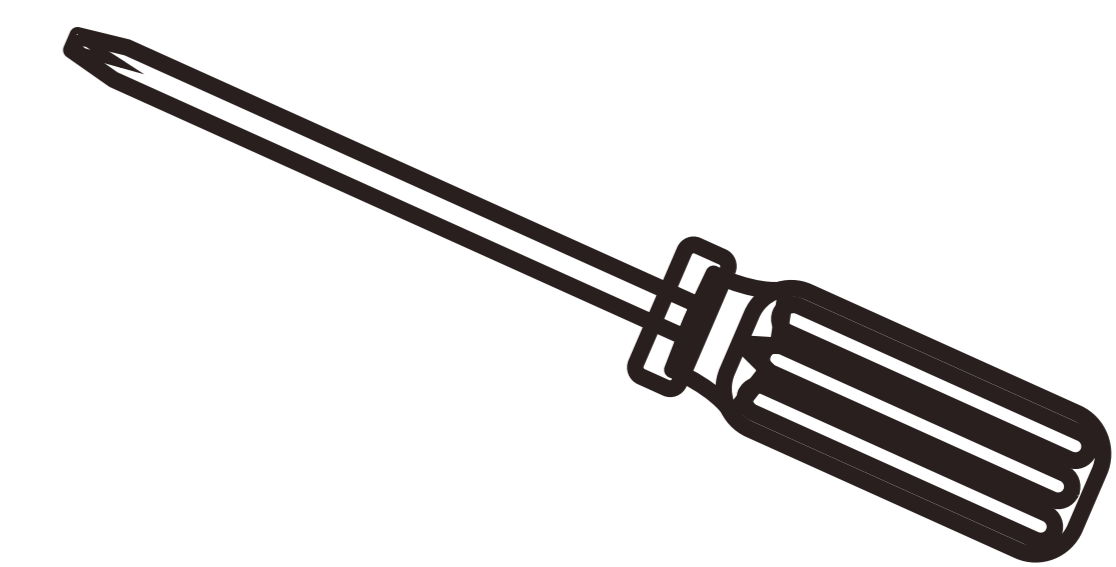
The use of power tools to assemble this product could lead to damage, making it unsafe

Please assemble on a clean, level surface to avoid damage and ensure proper assembly

## Tools Required

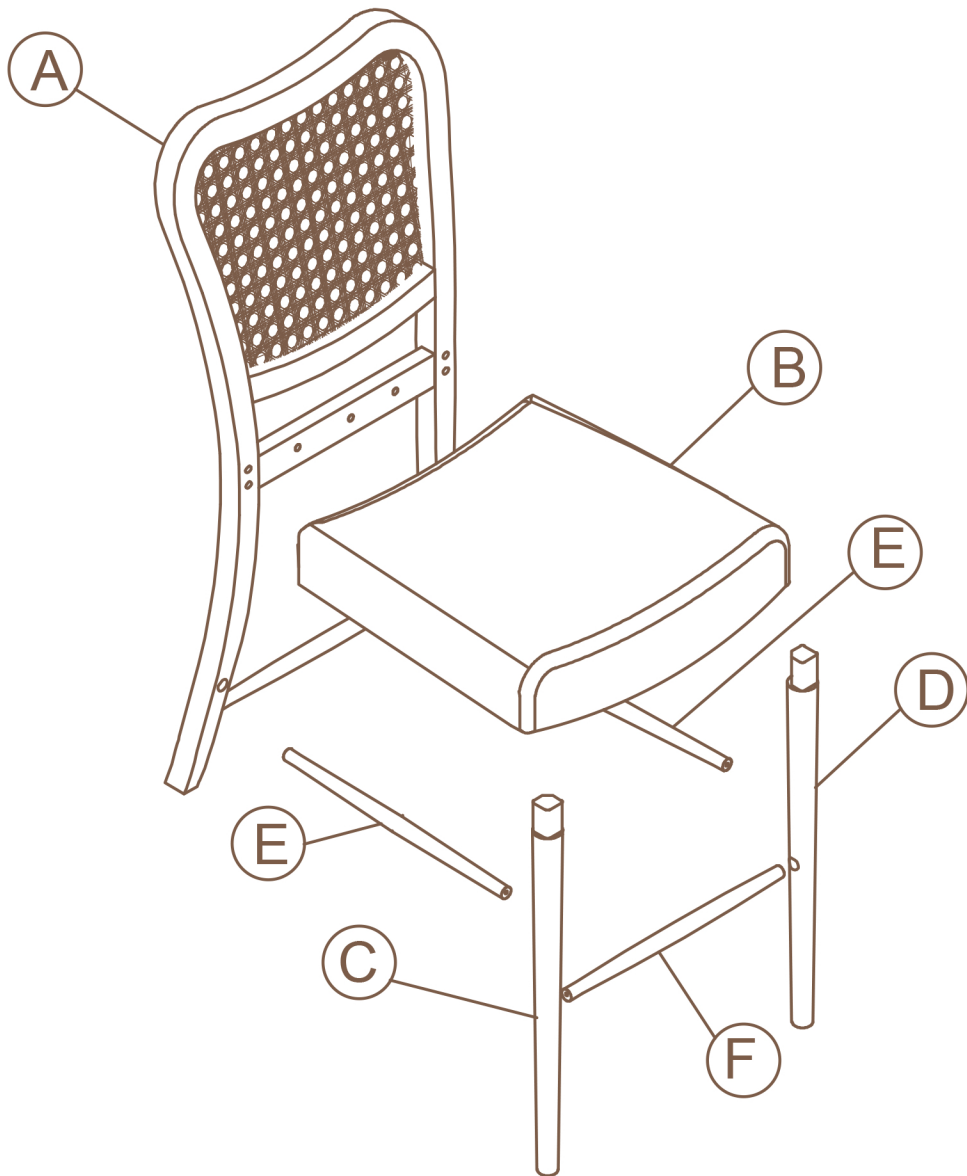



Allen Key  
(included)

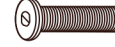



Phillips Screwdriver  
(NOT included)


# PARTS LIST



**Bolt**  
**G**  Qty 2  
 Ø1/4"x45mm

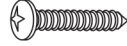
**Bolt**  
**H**  Qty 4  
 Ø1/4"x55mm

**Bolt**  
**I**  Qty 4  
 Ø1/4"x76mm

**Lock Washer**  
**J**  Qty 10  
 Ø1/4"

**Flat Washer**  
**K**  Qty 10  
 Ø1/4"x16mm

**Allen Key**  
**L**  Qty 1  
 M4

**Parachute Head Screw**  
**M**  Qty 6  
 #4x38mm

**Felt Pads**  
**N**  Qty 1

Scan for additional information

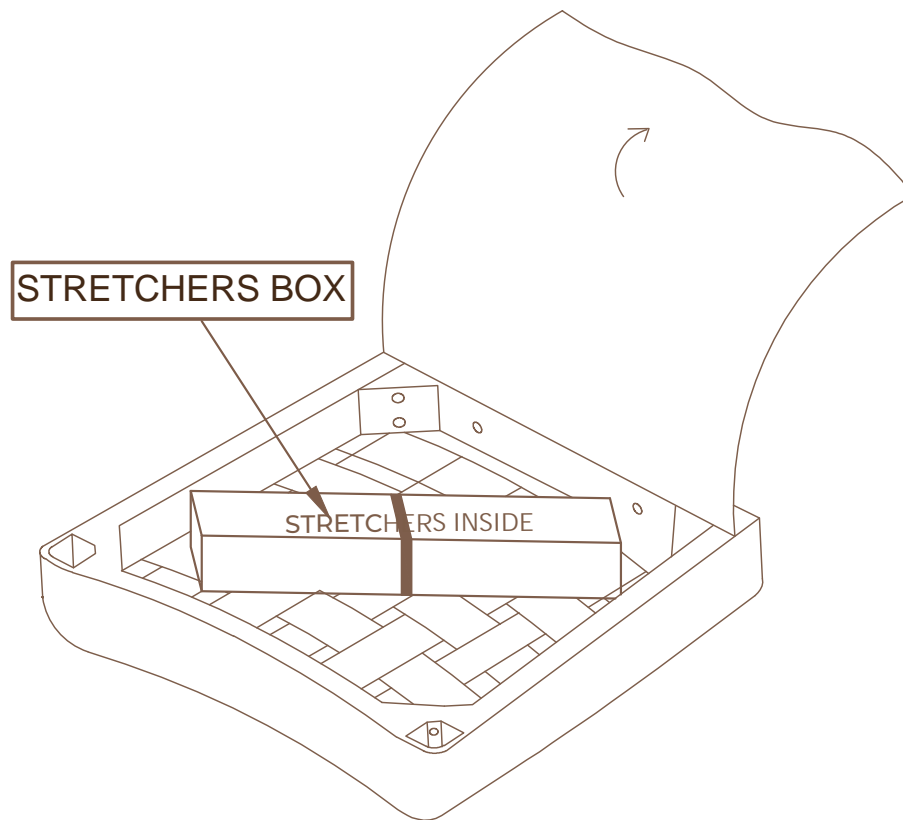


## ASSEMBLY

---

### STEP 1

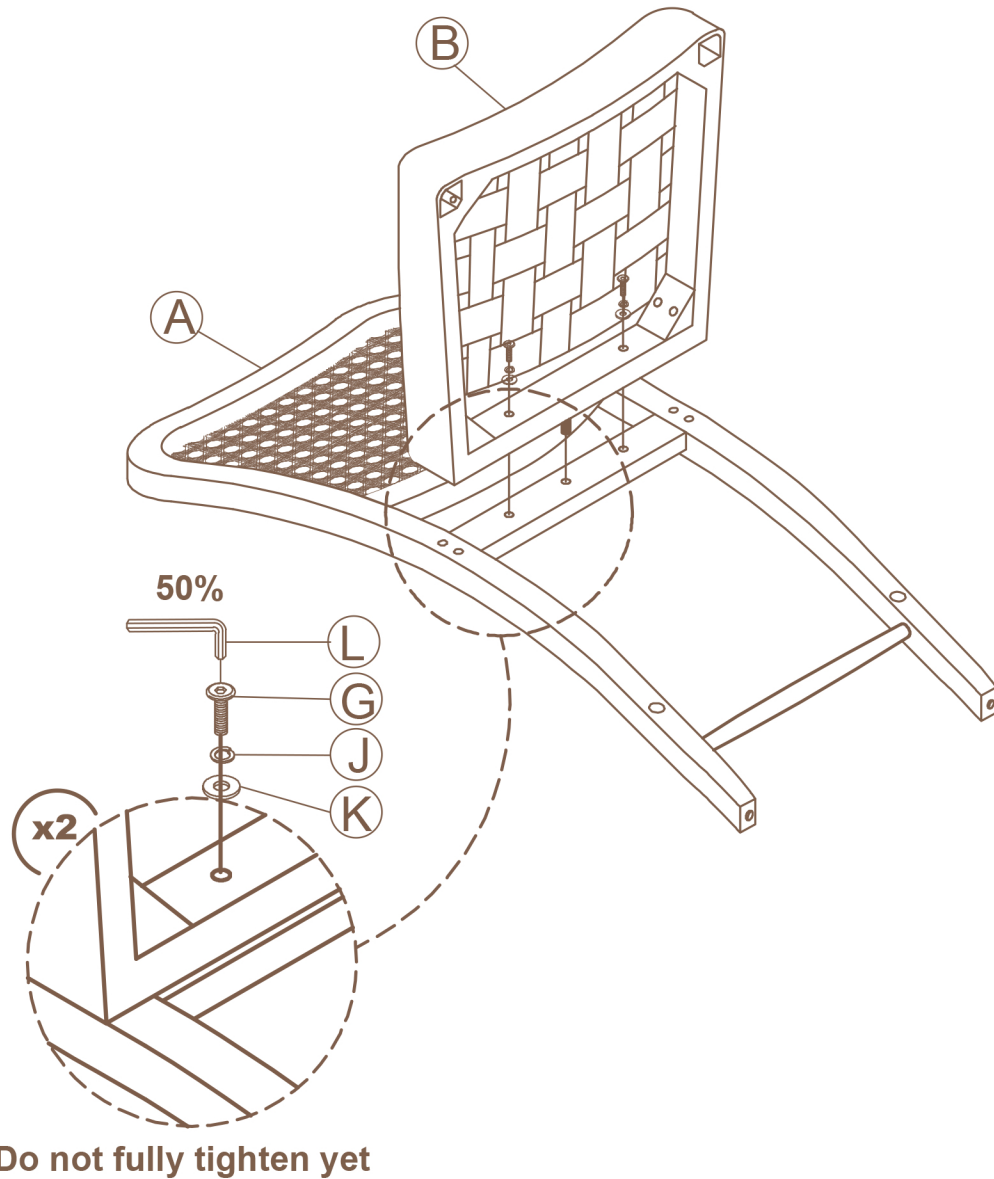
Carefully open the bottom cover. Cover is held on three sides by hook-and-loop fastening strips. Then take the stretchers box out.



# ASSEMBLY

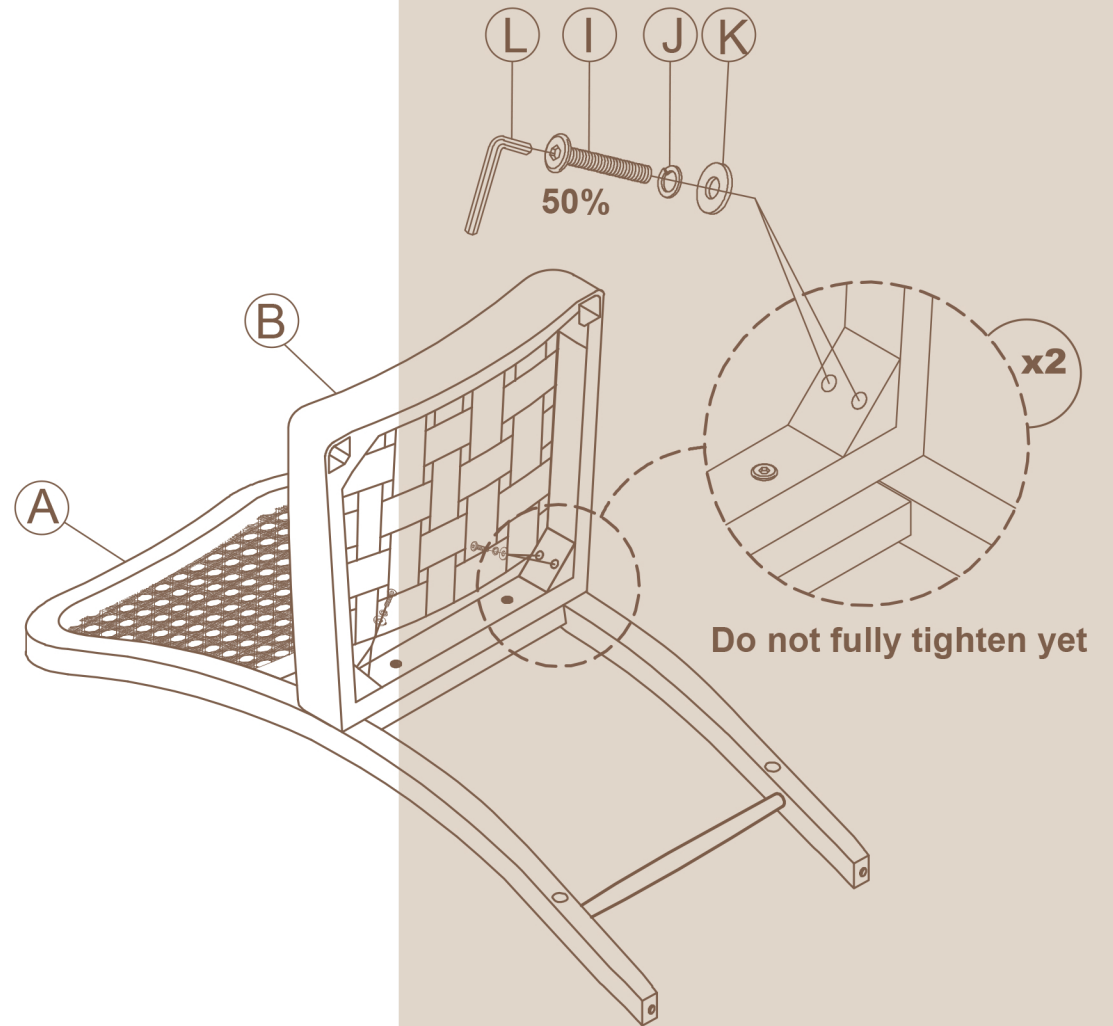
## STEP 2

Attach the seat frame (B) to chair back (A) with bolts (G), lock washers (J), flat washers (K) using allen key (L)



## STEP 3

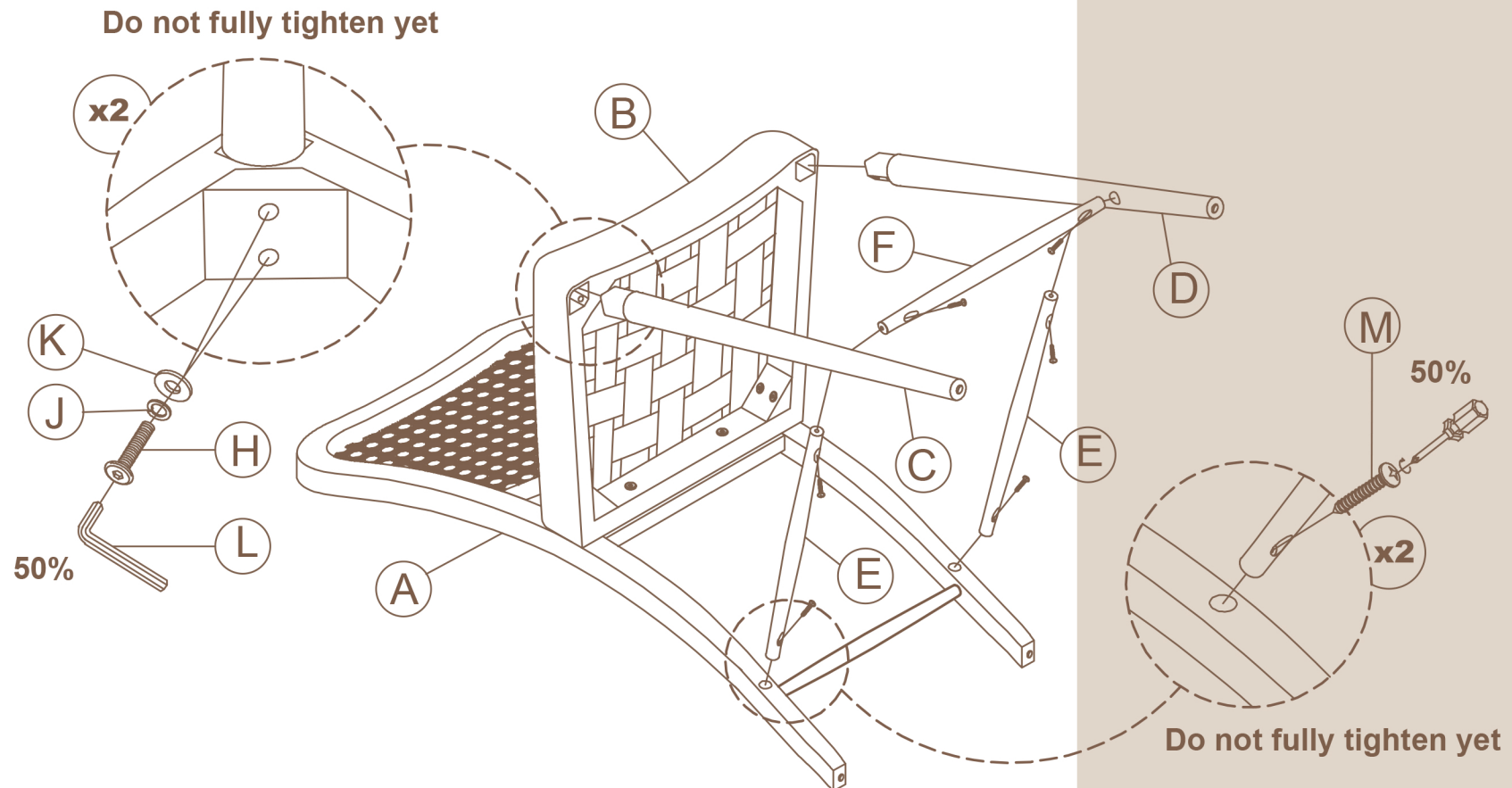
Attach the seat frame (B) to chair back (A) with bolts (I), lock washers (J), flat washers (K) using allen key (L).



# ASSEMBLY

## STEP 4

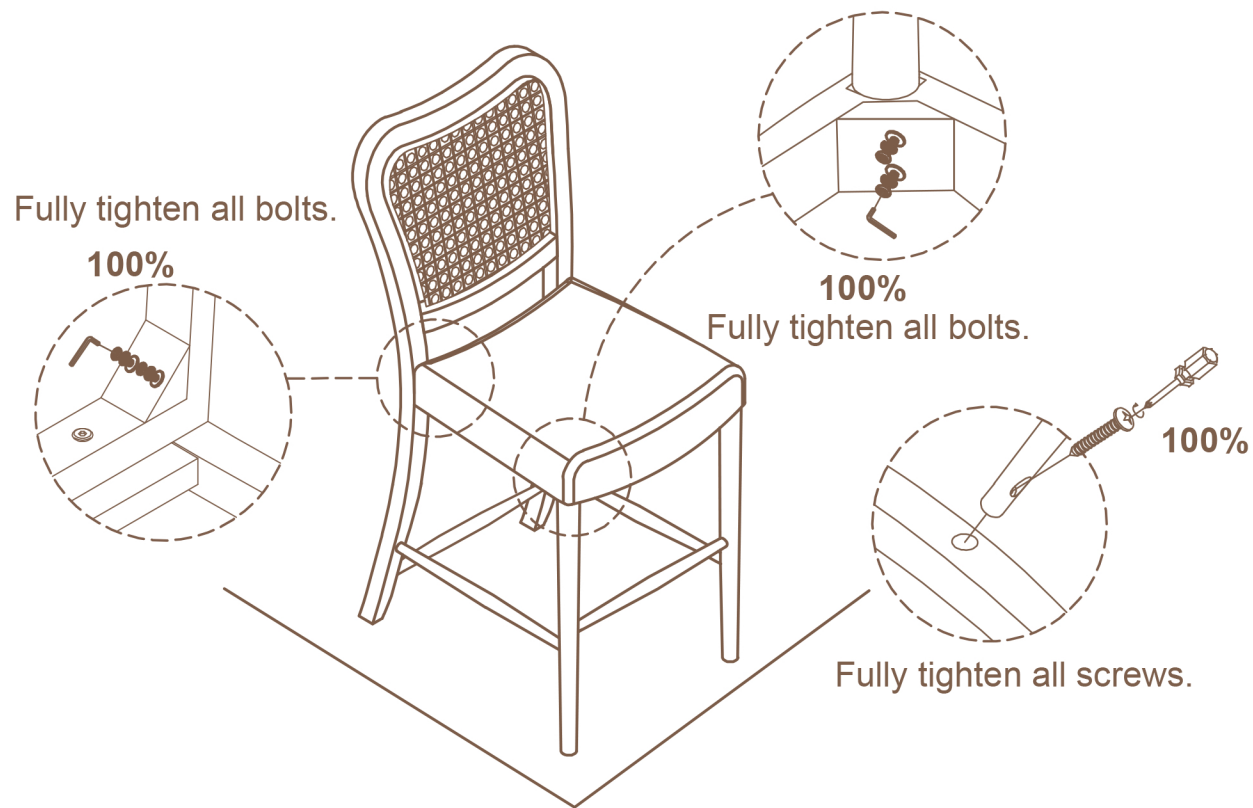
Attach the legs (C&D) to seat frame (B) with bolts (H), lock washers (J), flat washers (K) using allen key (L). Then attach 2 side stretchers (E) to 2 legs (C&D) and chair back (A) with screws (M). Simultaneously attach center stretcher (F) to 2 legs (C&D) with screws (M).



# ASSEMBLY

## STEP 5

Place the chair on a flat surface then tighten all bolts and screws.



## STEP 6: Felt Pad Application (optional)

1. Wipe any dust from the surface for best adhesion
2. Gently peel the felt pad from the paper
3. Firmly apply a felt pad to each of the feet

