

Dresser TV Stand

Instruction Manual

CAB-TV5BC



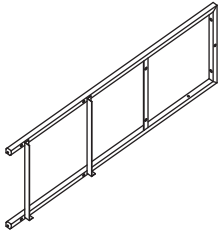
✉ HJ-Customer-Service@outlook.com

☎ (909)637-7665 | (909)637-7593

EST 9:00AM--17:00PM

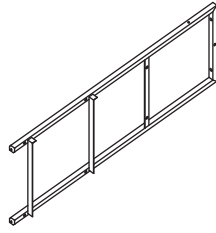
1 Component List

A X1



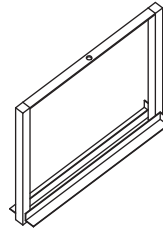
Side Frame

B X1



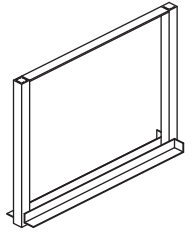
Side Frame

C X2



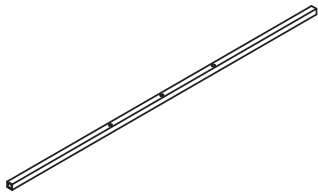
Middle Frame

D X1



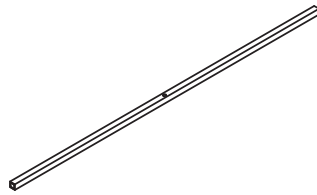
Middle Frame

E X2



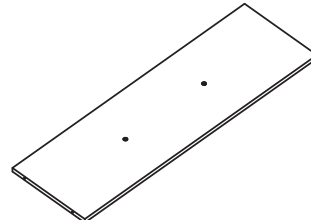
Cross Tube

F X3



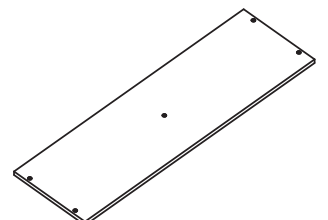
Cross Tube

G X1



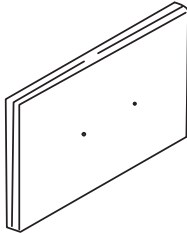
Middle Board

H X1



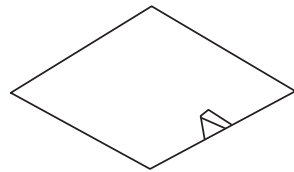
Top Board

I X2



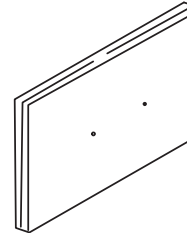
Drawer

J X2



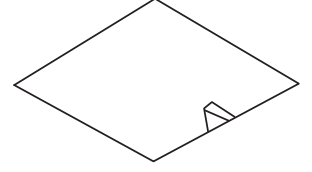
Base Board for Drawer

K X3



Drawer

L X3



Base Board for Drawer

2 Supplied Parts and Hardware

1 X4



Adjusting Foot
M6x28mm

2 X18



Bolts
M6x30mm

3 X5



Bolts
M6x25mm

4 X2



Bolts
M6x12mm

5 X4



Bolts
M5.5x30mm

6 X5



Drawer Handle

7 X10



Bolts
M4x10mm

8 X2



Bolts
M4x60mm

9 X2

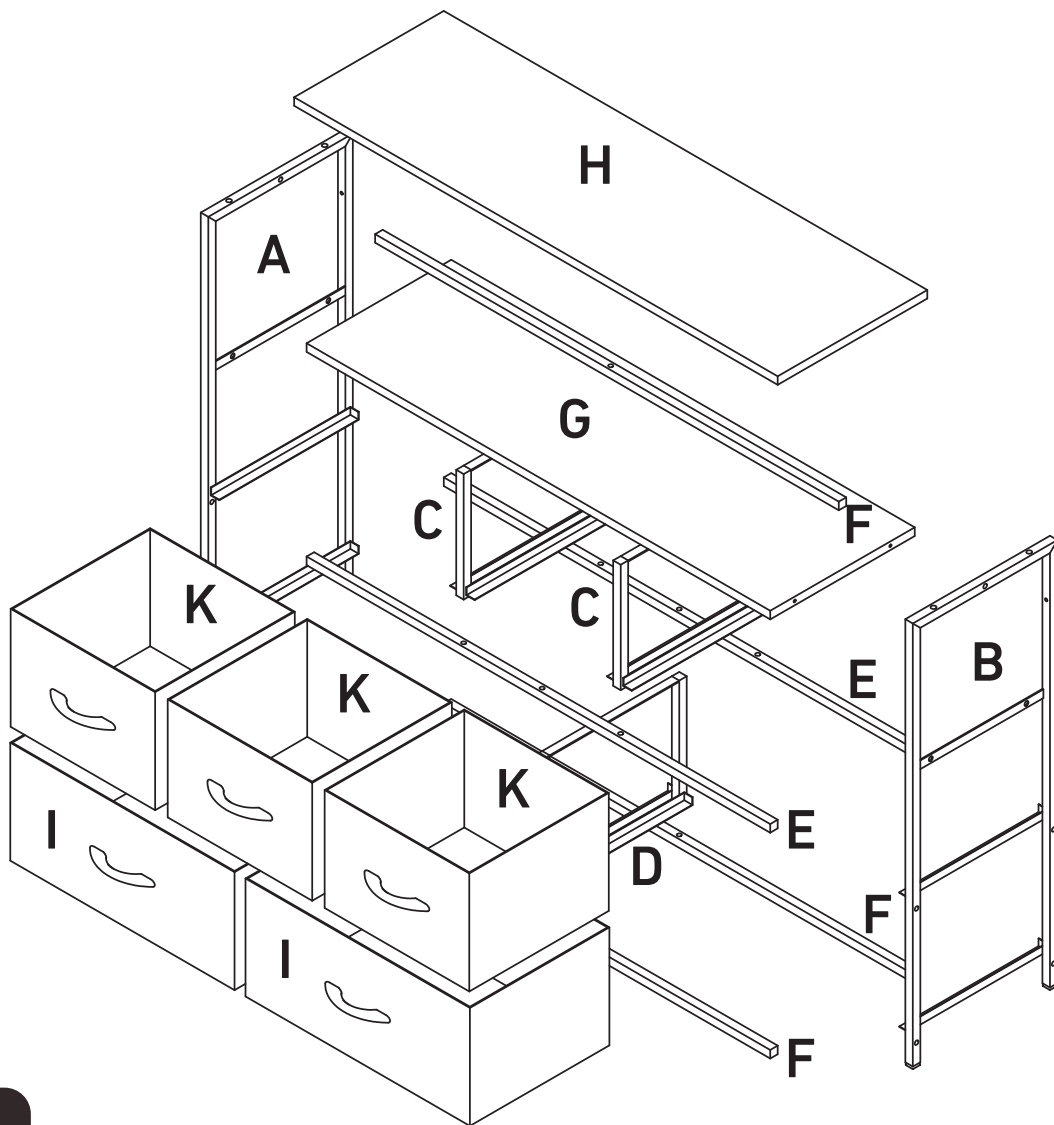


Expansion Tube

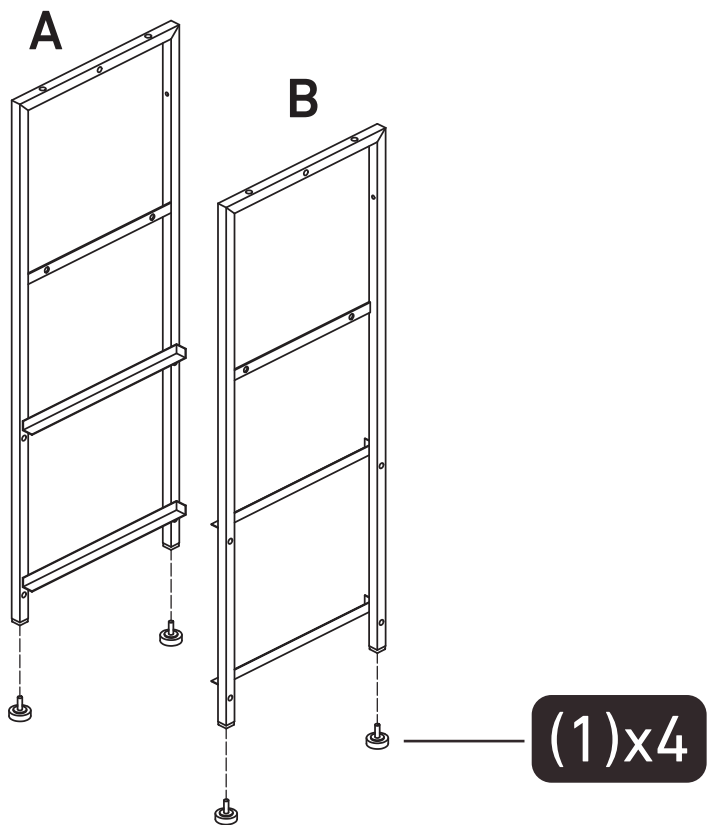
10 X1



Wrench

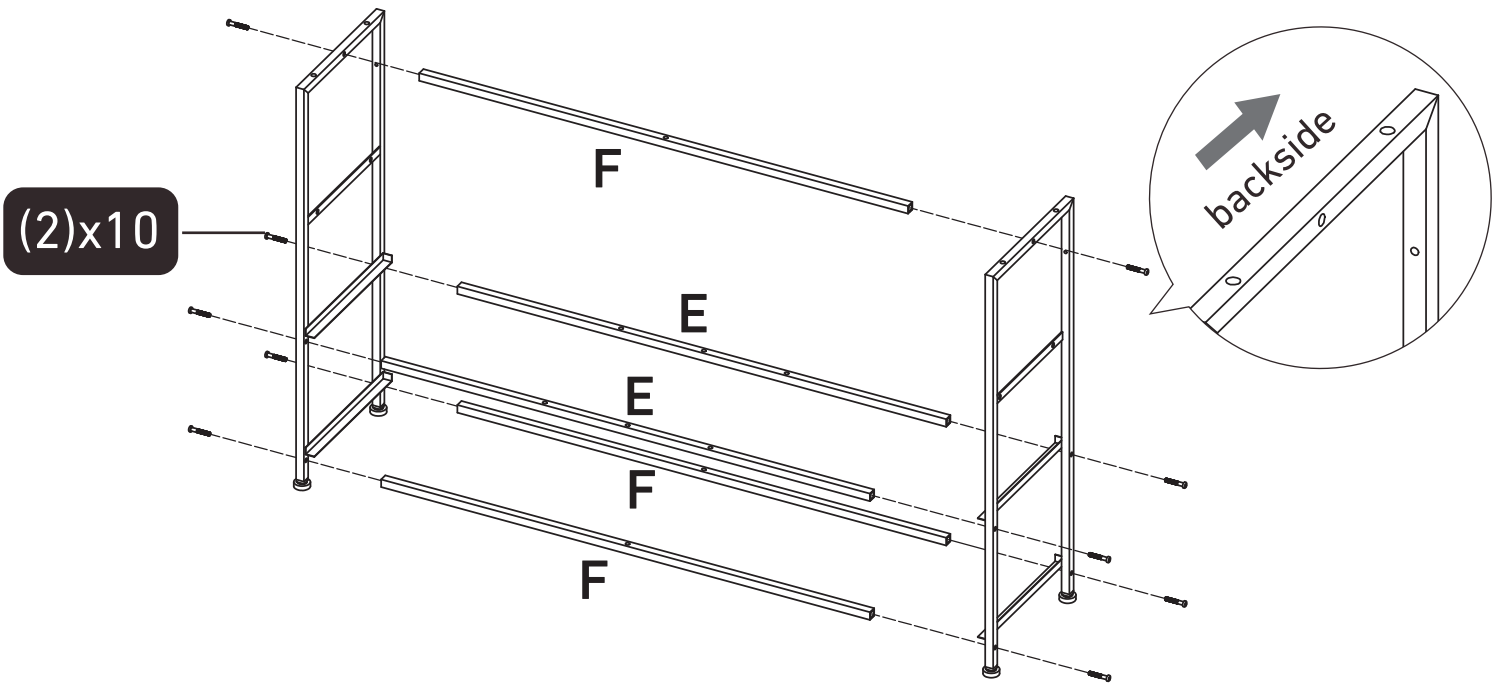


Step 1



Install Adjusting Foot (5)*4 to the Side Frames (B&C).

Step 2



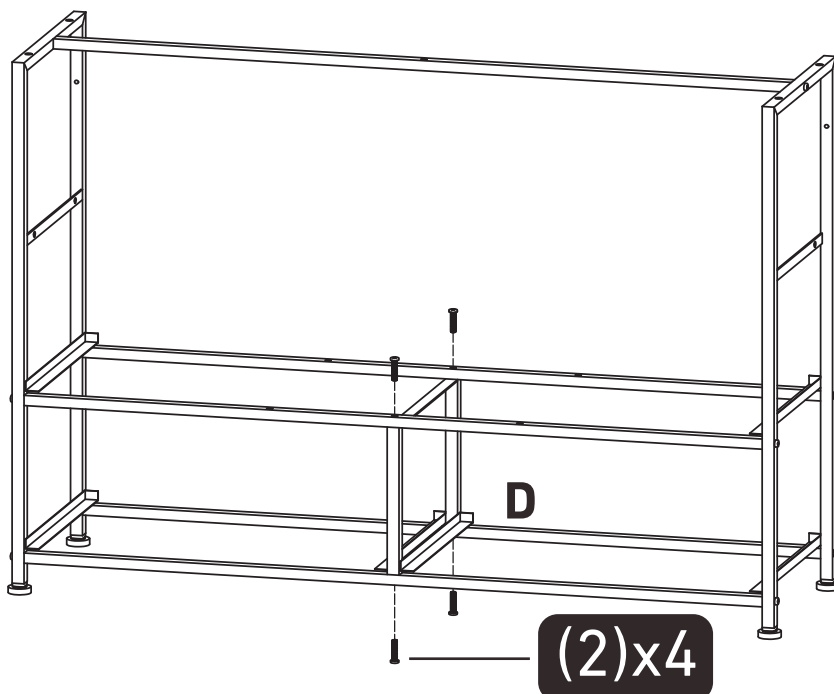
As shown, use Bolts **(2)*10**, and install Cross Tube **(F)** to the top of Side Frames **(A&B)**

Install Cross Tube **(E)*2** to the middle of the Side Frames **(A&B)**, and install Cross Tube **(F)*2** to the bottom of the Side Frames **(A&B)**.

NOTE:

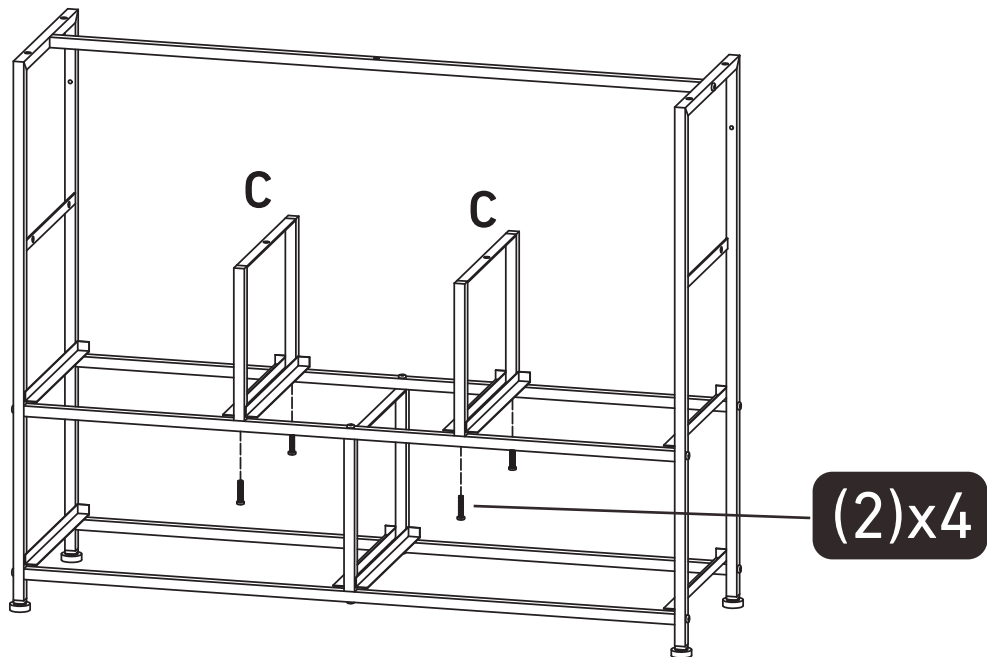
Side Frames **(A&B)** face the same direction, with holes facing backward.

Step 3



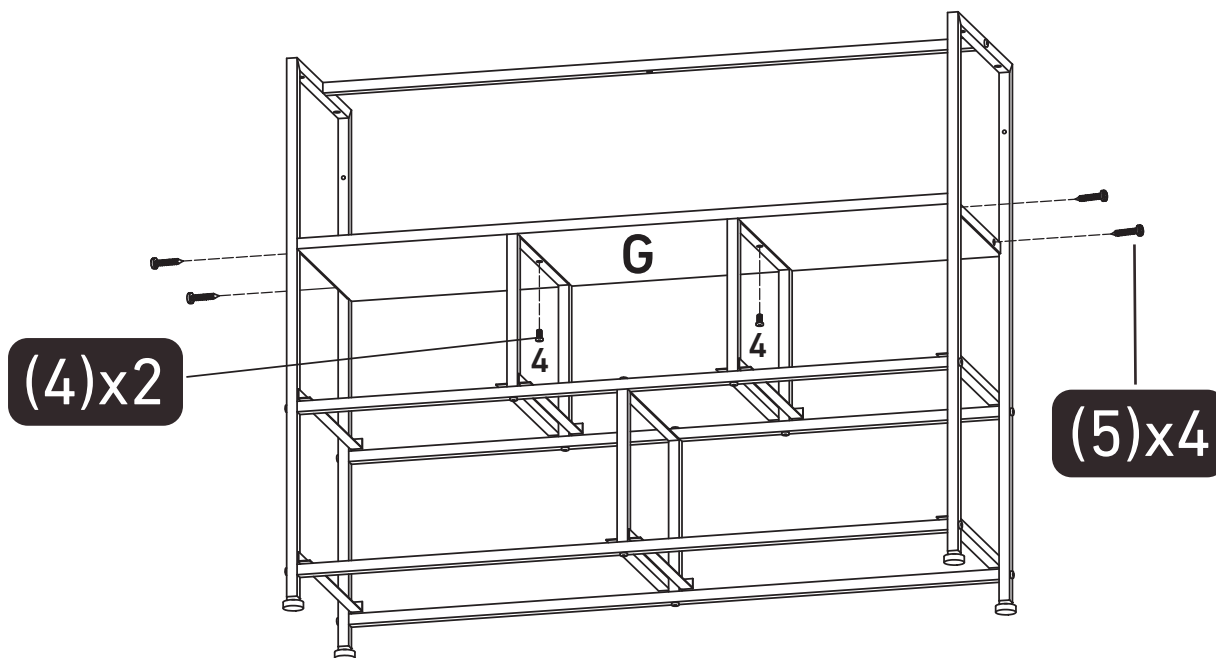
Install Middle Frame **(D)** to the Cross Tubes **(E&F)** with Bolts **(2)*4**.

Step 4



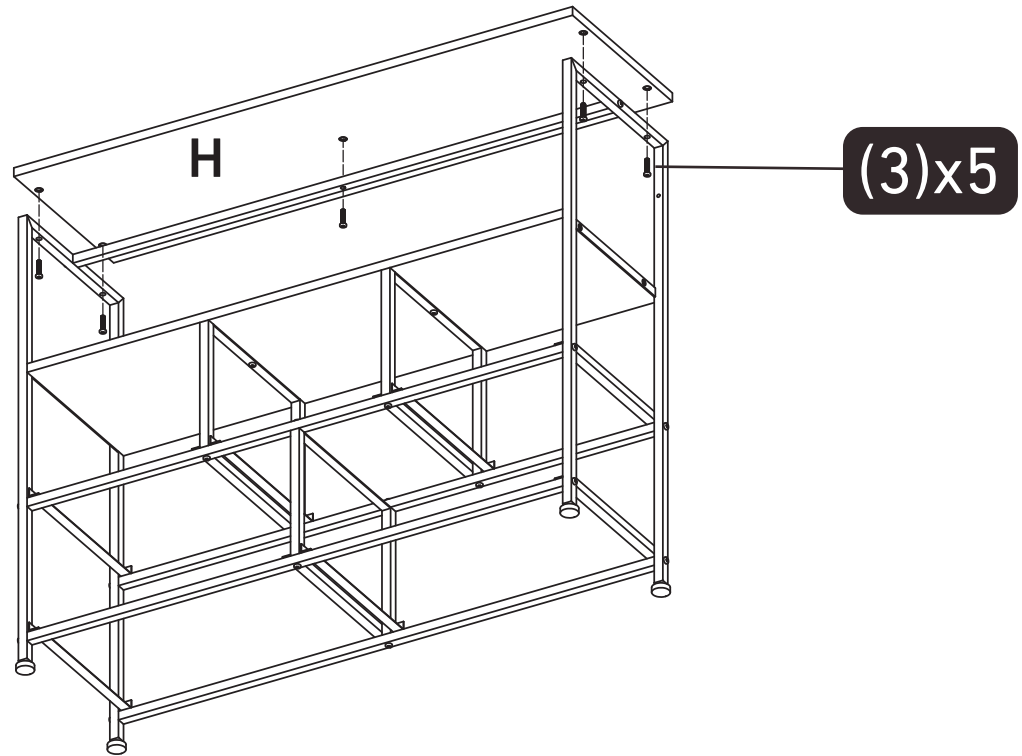
Install Middle Frame (C)*2 to the Cross Tube (E) with Bolts (2)*4.

Step 5



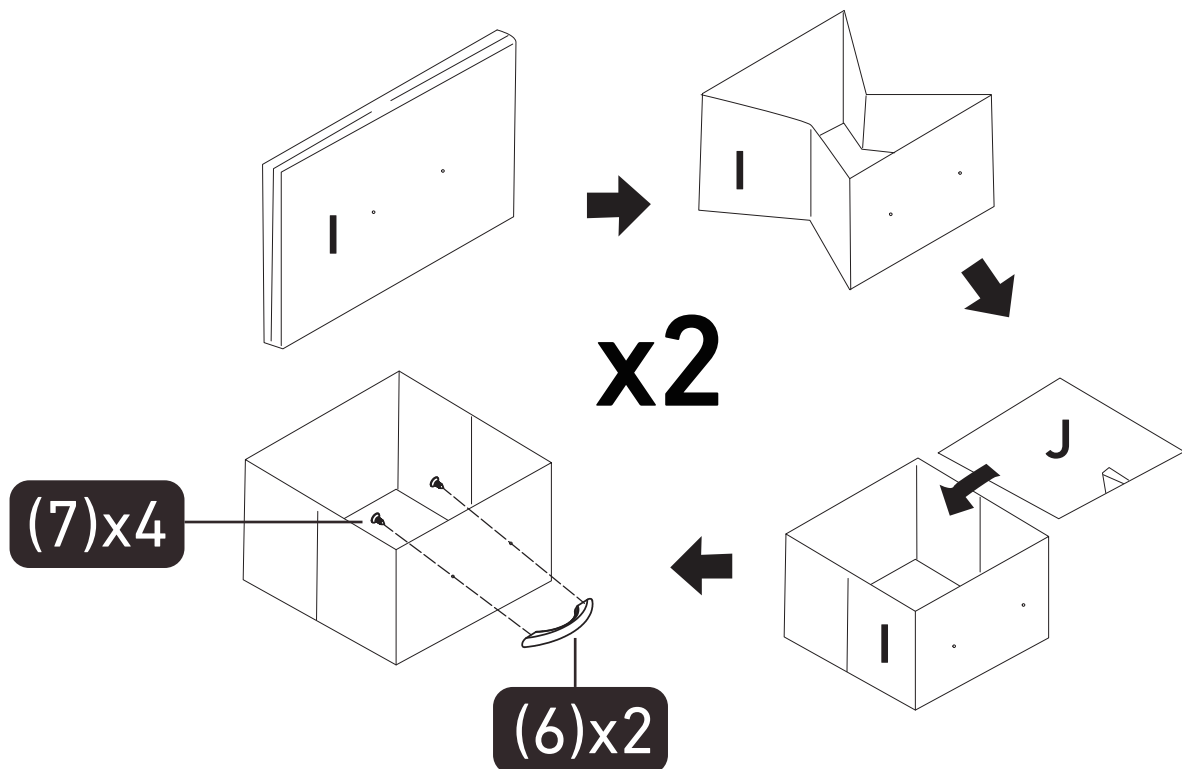
As shown, Install the Middle Board (G) to the Side Frames (A&B) with Bolts (5)*4 and to the Middle Frame (C)*2 with Bolts (4)*2.

Step 6



Attach Top Board (**H**) to the Frame, and tighten the Bolts (**3**)***5**.

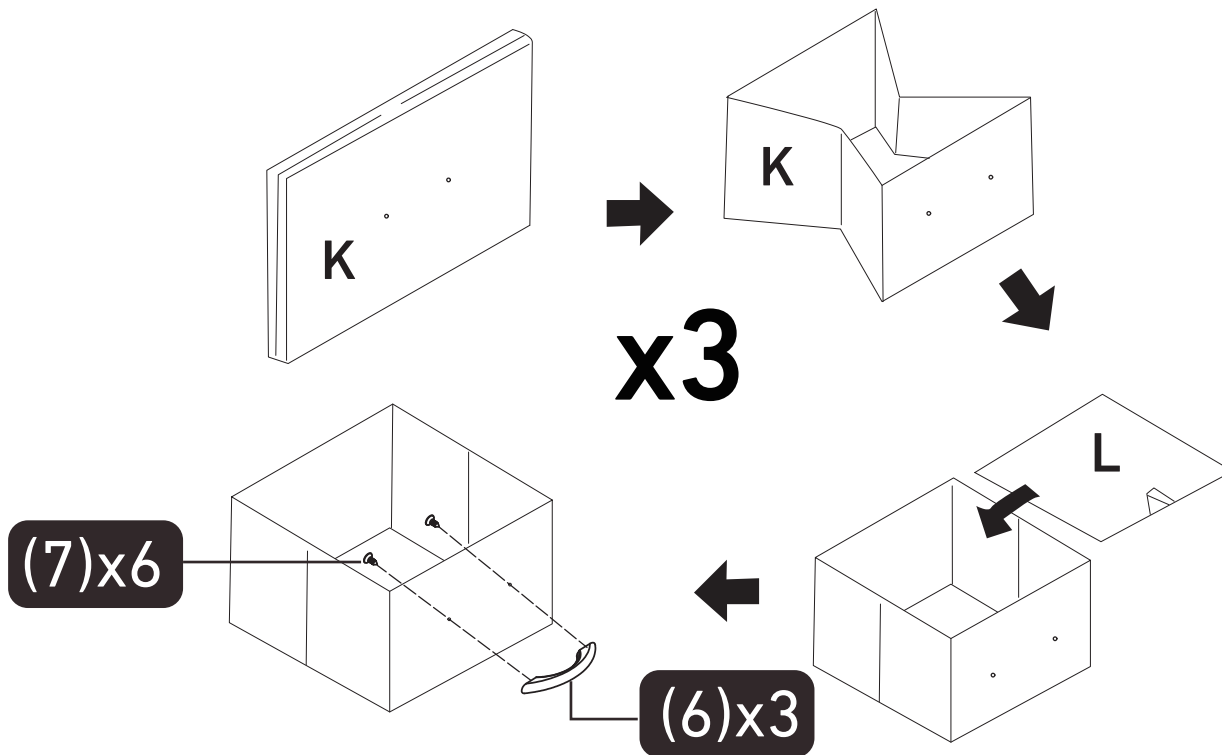
Step 7



Place Base Board for Drawer (**J**) into the expanded Drawer (**I**), and install the Drawer Handle (**6**) with Bolts (**7**)***2**.

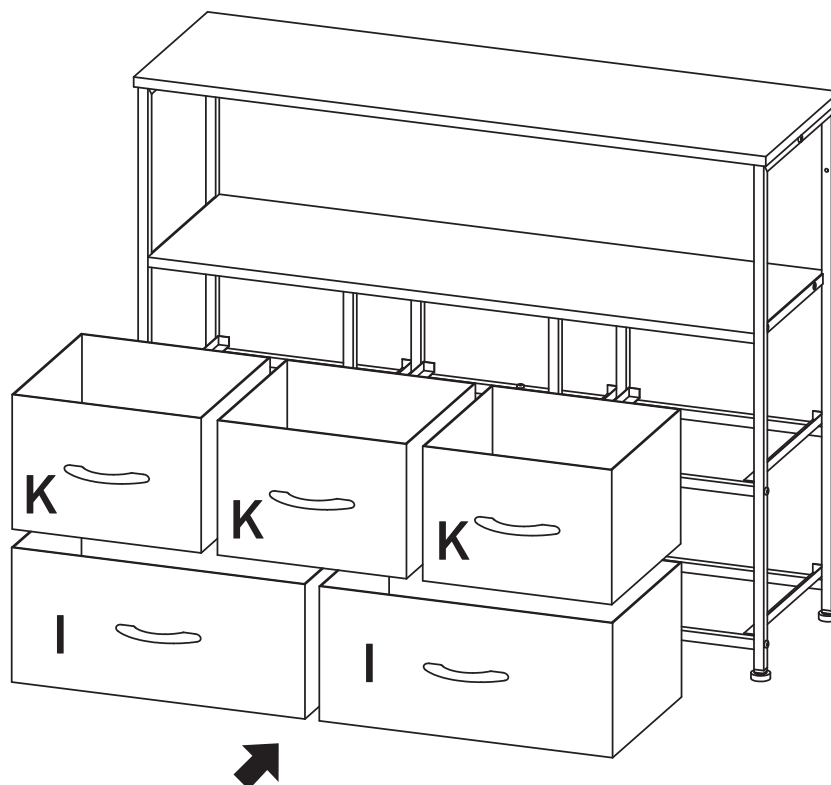
Install the two Drawers (**I**)***2** in the same way.

Step 8



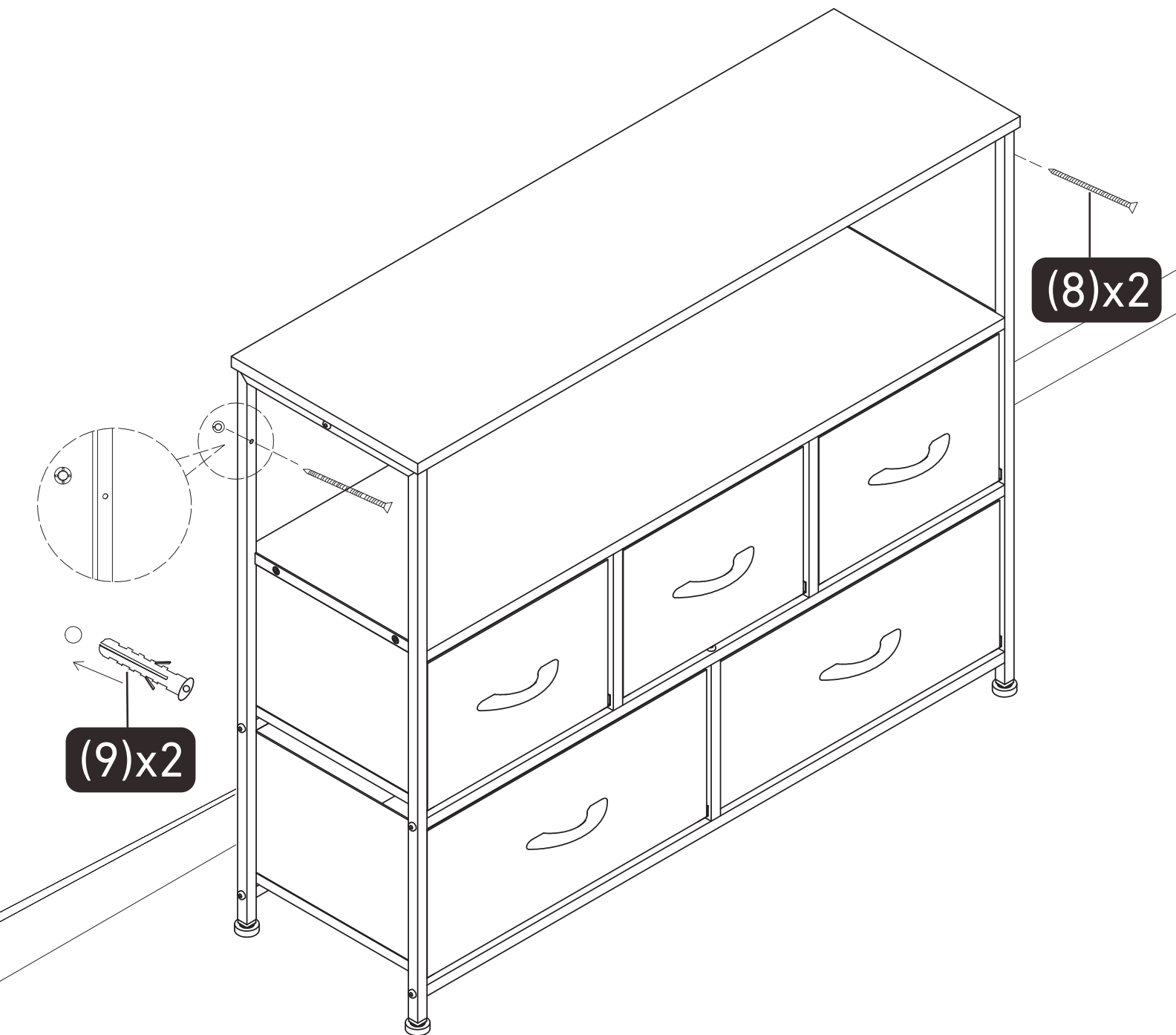
Install Drawer **(K)*3**, Base Board for Drawer **(L)*3** and drawer handle **(6)*3** in the same way as in the previous step.

Step 9

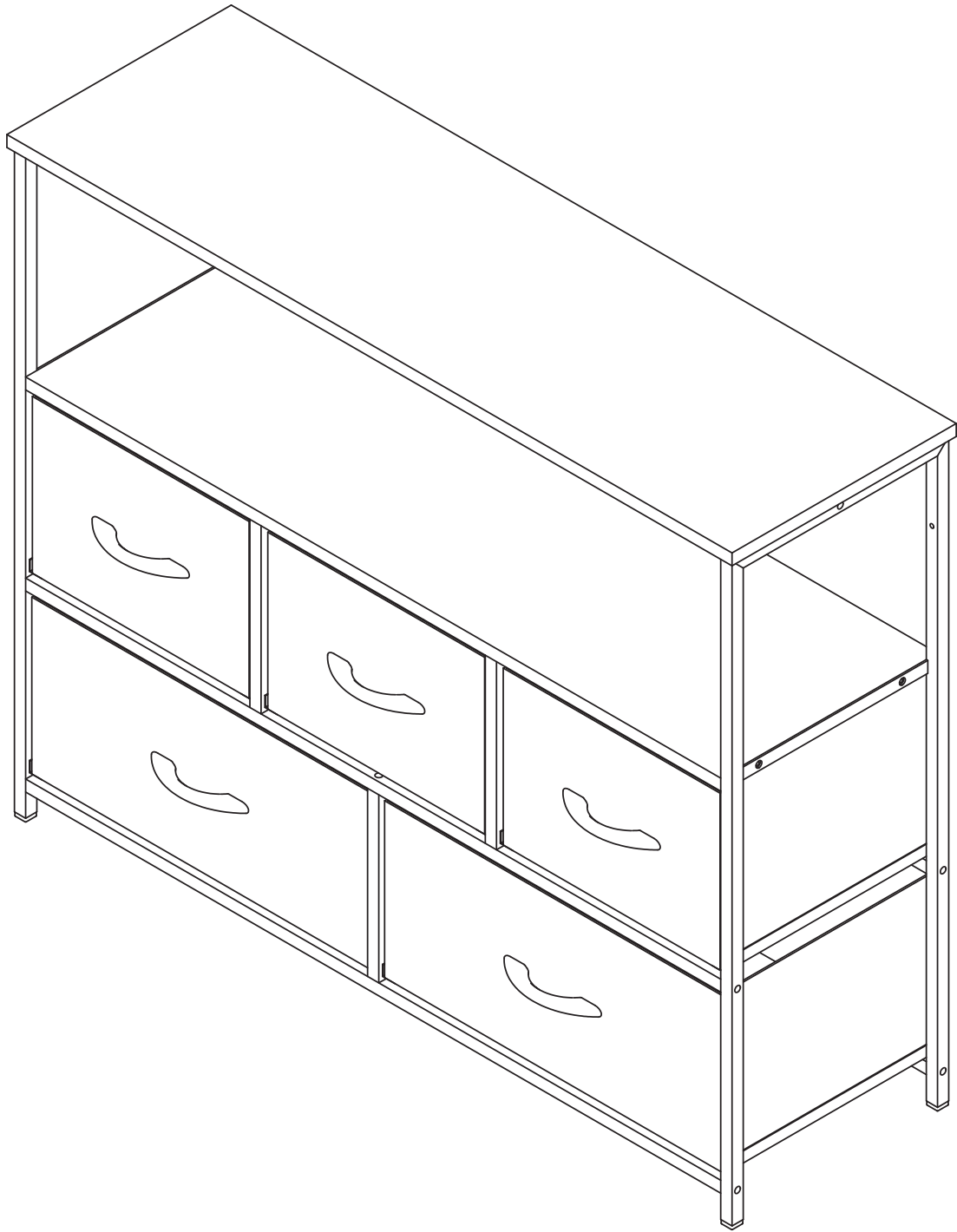


Put the installed Drawers **(K&I)** into the frame in turn.

Step 10



If you need to fix the Dresser TV Stand to the wall, drill holes in the wall with an electric drill, then insert Expansion Tube **(9)*2** and fix the Dresser TV Stand with Bolts **(8)*2**.



Technical Support

(909)637-7665 | (909)637-7593

Other Info

HJ-Customer-Service@outlook.com



Thank you for choosing this product. We strive to provide you with the best quality products and services in the industry. Should you have any issues, please don't hesitate to contact us.

<https://hlinstallationvideos.s3.amazonaws.com/CAB-TV5BC-Dresser+TV+Stand.mp4>