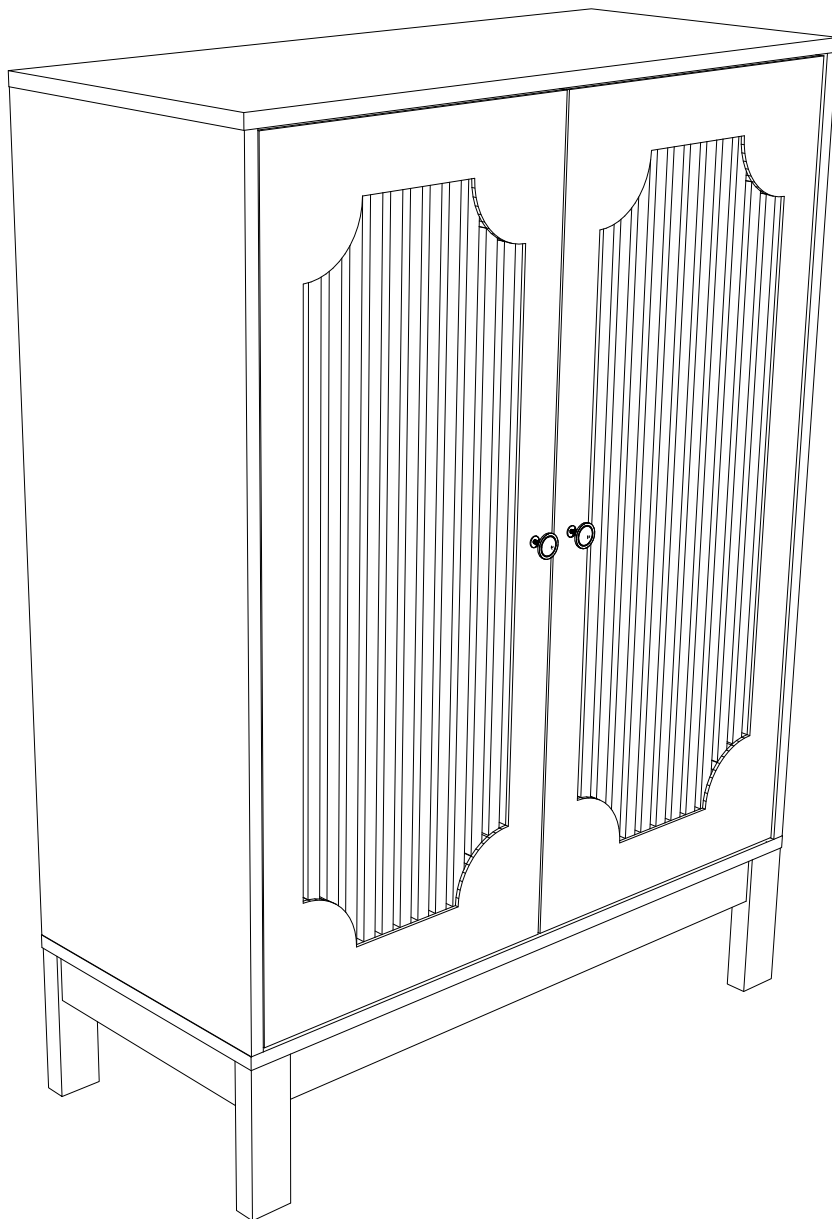


Assembly Instructions



Shoe Cabinet

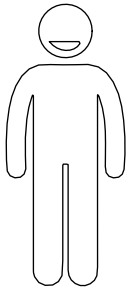
Contact Us

We're here to help you.

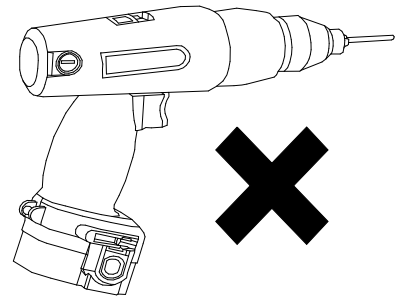
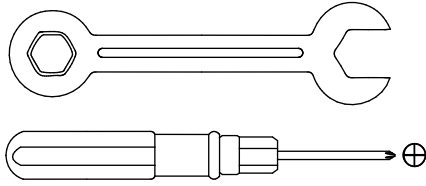
Your satisfaction is our top priority. If you encounter any issues with this product, such as missing or damaged parts, we're here to help. Please retain the original packaging and take photos of the packaging and the product, then contact us as soon as possible.

Warm Tips

1. Carefully read these instructions and keep them for future reference.
2. Check the parts list and confirm everything's there before starting assembly.
3. When assembling, put all parts on a soft, smooth surface like a carpet to avoid scratches.
4. Don't fully tighten screws until all parts are confirmed in place to avoid misalignment.

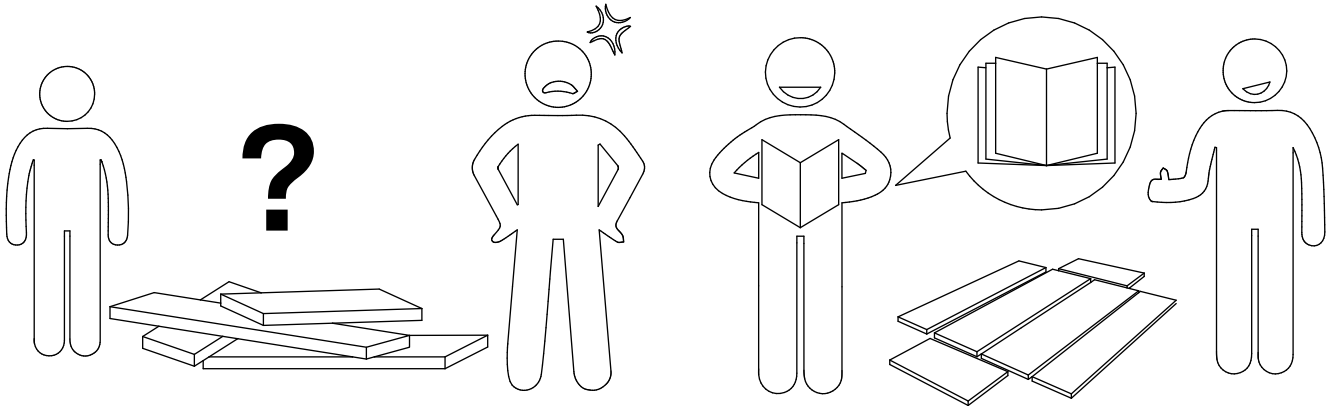


X2



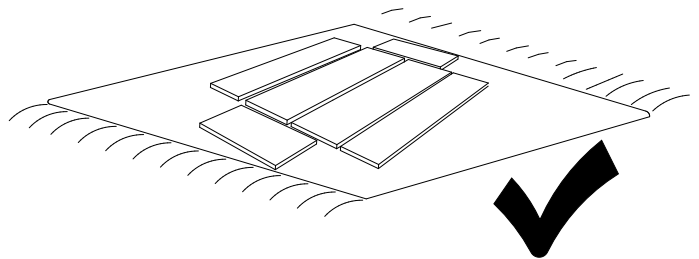
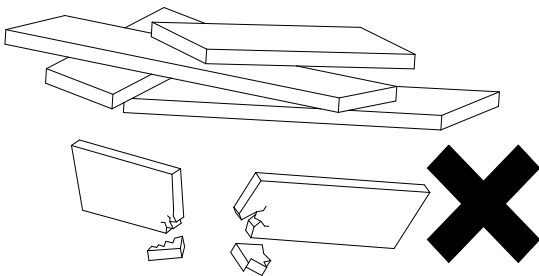
We recommend using hand tools for assembly.

If an electric screwdriver is used, reduce power and torque to avoid damage to the product.



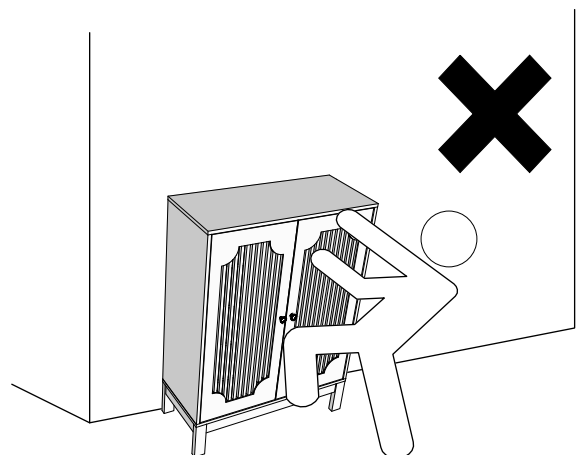
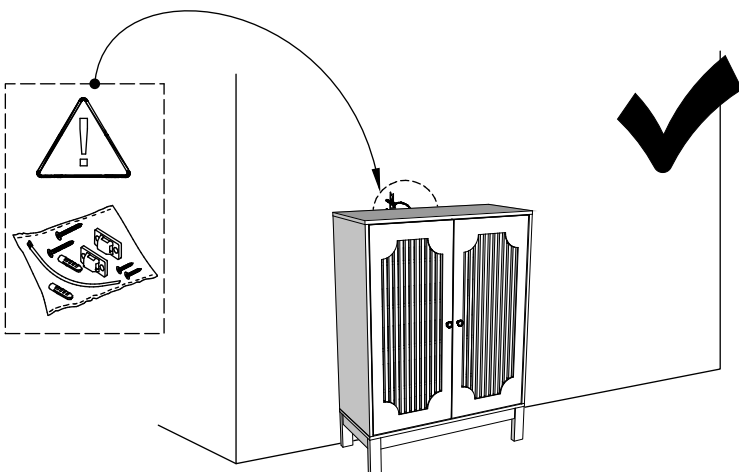
AVOID SCRATCHES

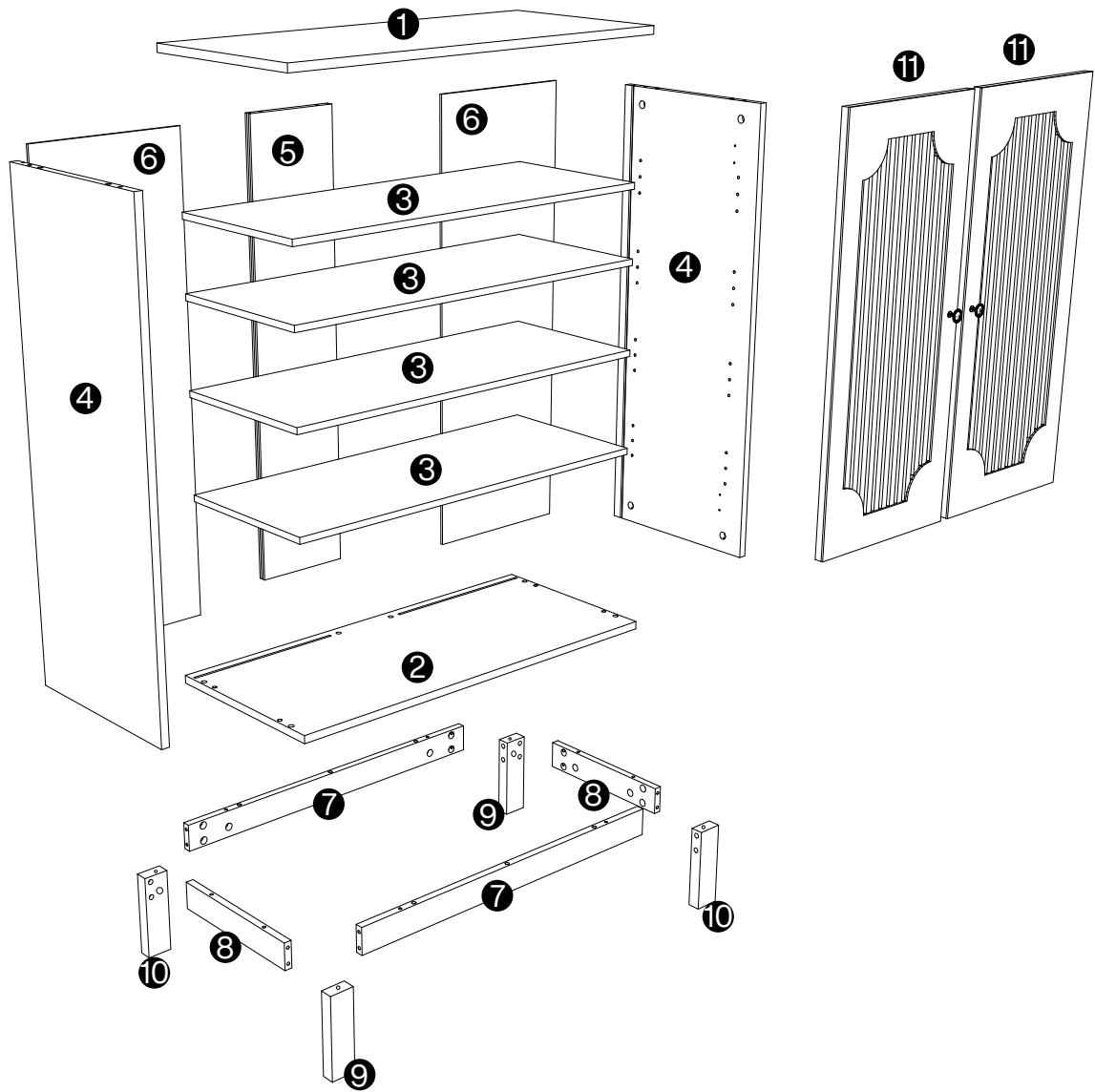
In order to avoid scratching, this furniture should be assembled on a soft surface, such as a rug.



Install the Anti-Tip Straps

Using the anti-tip straps can reduce the risk of tipping over, but can not eliminate it.

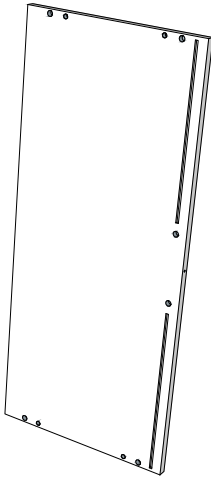
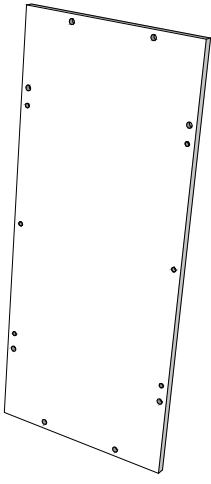
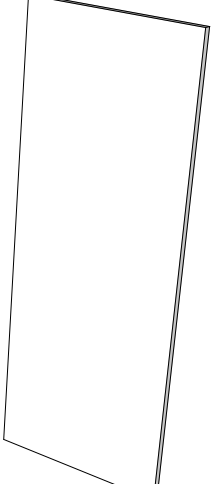
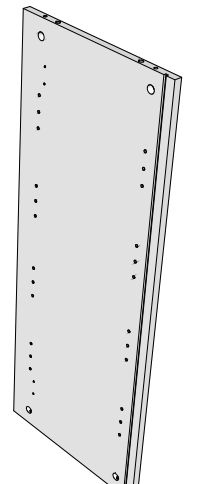
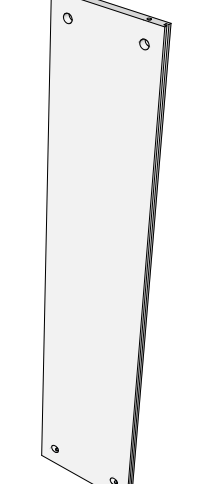
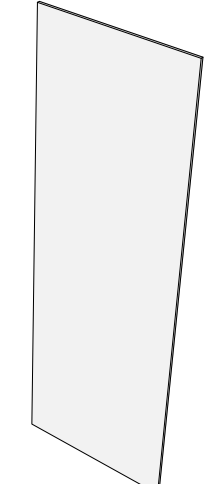
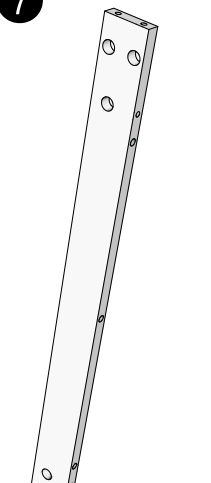
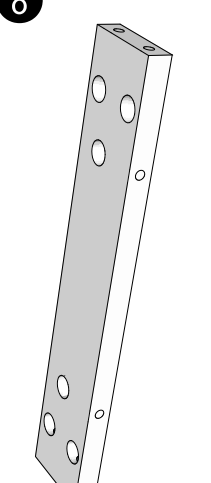
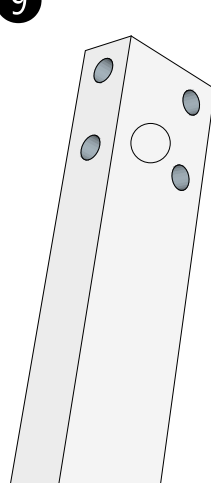
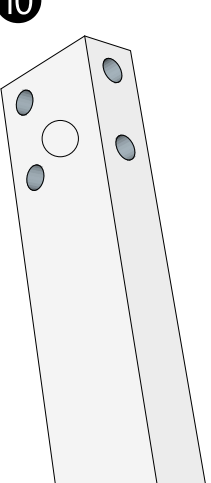
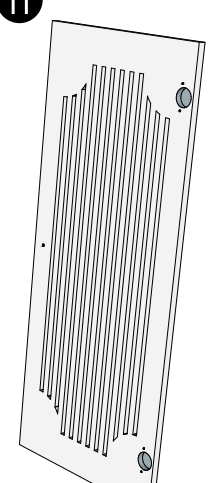





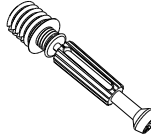
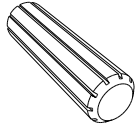
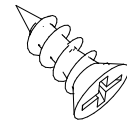
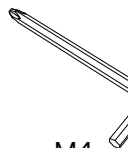
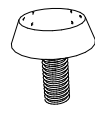
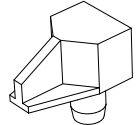
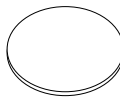
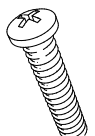
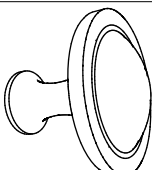
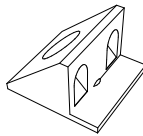
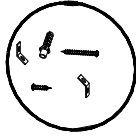
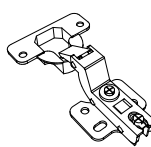
⚠ Caution

Make sure all parts are included. Most board parts are labeled or stamped on the raw edge. Contact us for a free replacement if you encounter any damaged or missing parts.

Parts List

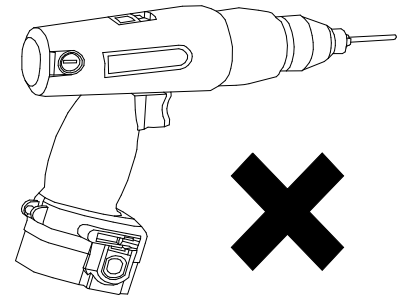
<p>1</p>  <p>1pc</p>	<p>2</p>  <p>1pc</p>	<p>3</p>  <p>4 pcs</p>	<p>4</p>  <p>2 pcs</p>	<p>5</p>  <p>1pc</p>	<p>6</p>  <p>2 pcs</p>
<p>7</p>  <p>2 pcs</p>	<p>8</p>  <p>2 pcs</p>	<p>9</p>  <p>2 pcs</p>	<p>10</p>  <p>2 pcs</p>	<p>11</p>  <p>2 pcs</p>	

Hardware List

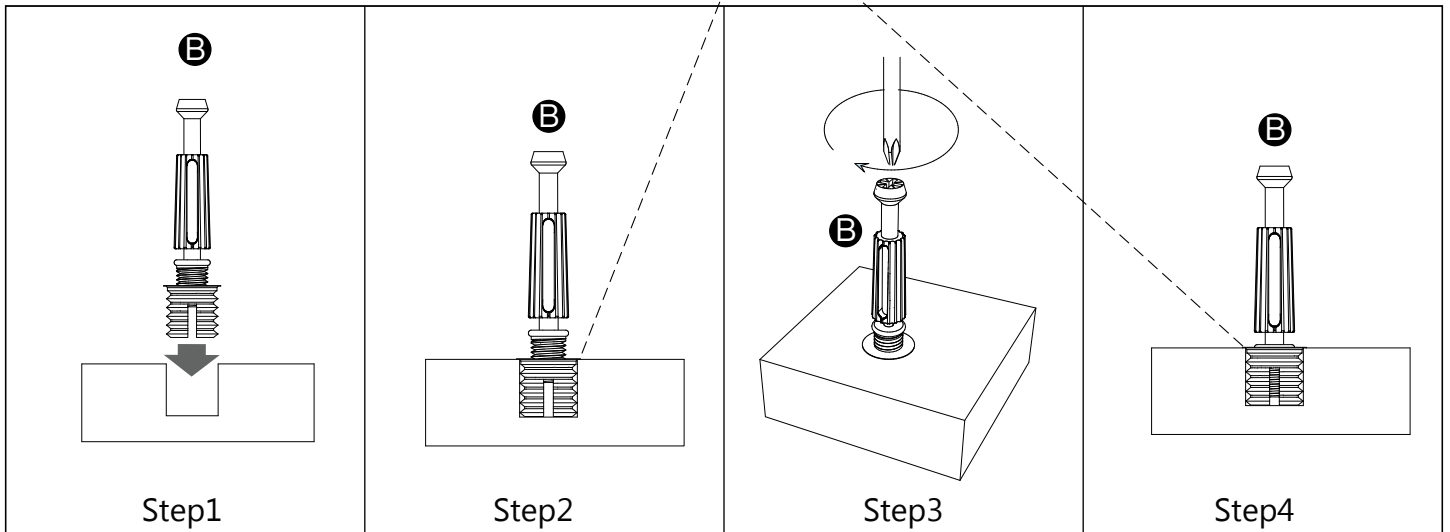
<p>A</p>  <p>Ø15x12mm</p> <p>40 pcs</p>	<p>B</p>  <p>M6x40mm</p> <p>40 pcs</p>	<p>C</p>  <p>Ø8x30mm</p> <p>14 pcs</p>	<p>D</p>  <p>Ø3.5x14mm</p> <p>32 pcs</p>	<p>E</p>  <p>M4</p> <p>1pc</p>	<p>F</p>  <p>4 pcs</p>	<p>G</p>  <p>16 pcs</p>
<p>H</p>  <p>8 pcs</p>	<p>I</p>  <p>M4x24mm</p> <p>2 pcs</p>	<p>J</p>  <p>2 pcs</p>	<p>K</p>  <p>8 pcs</p>	<p>L</p>  <p>1 pc</p>	<p>M</p>  <p>4 pcs</p>	

Installation of Cams and Pins

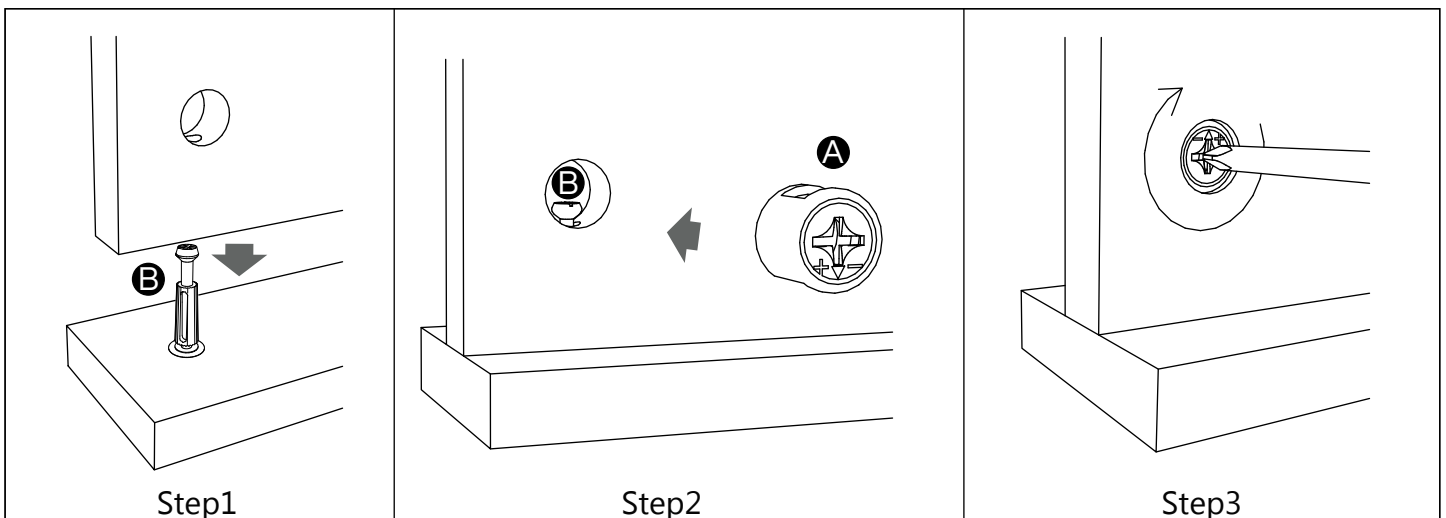
Read each step carefully before starting. Each step of instruction should be performed in the correct order. If these steps are not followed in sequence, assembly difficulties may occur.



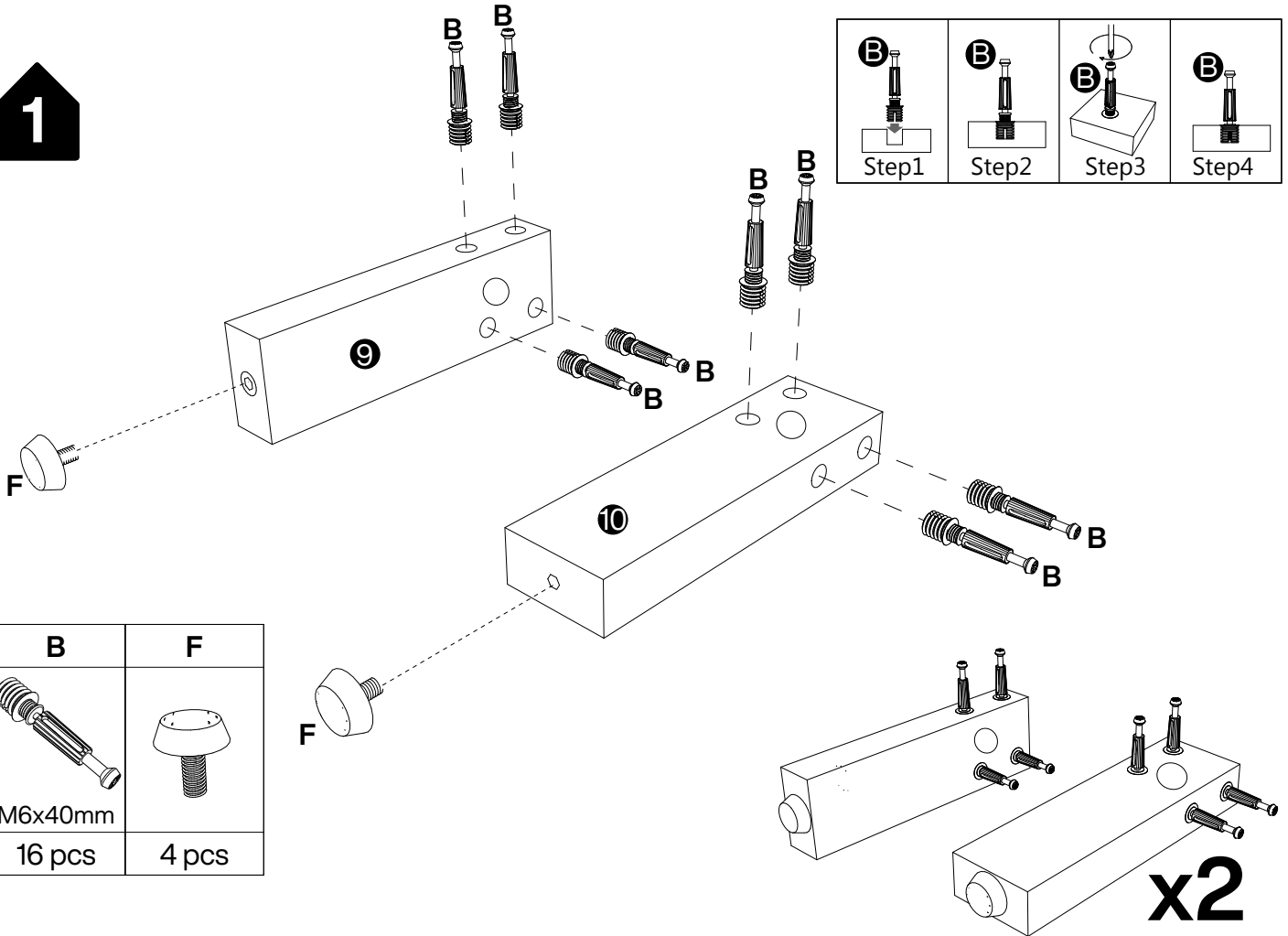
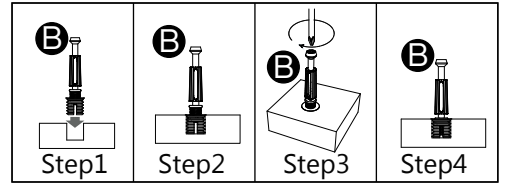
No gap



Screw the pin into the hole. Set the cams correctly by aligning the head of the cams with the lock pins. Lock the cam by turning the cam head with a screwdriver until it is tightened. Please do not use an electric screwdriver to assemble the unit.

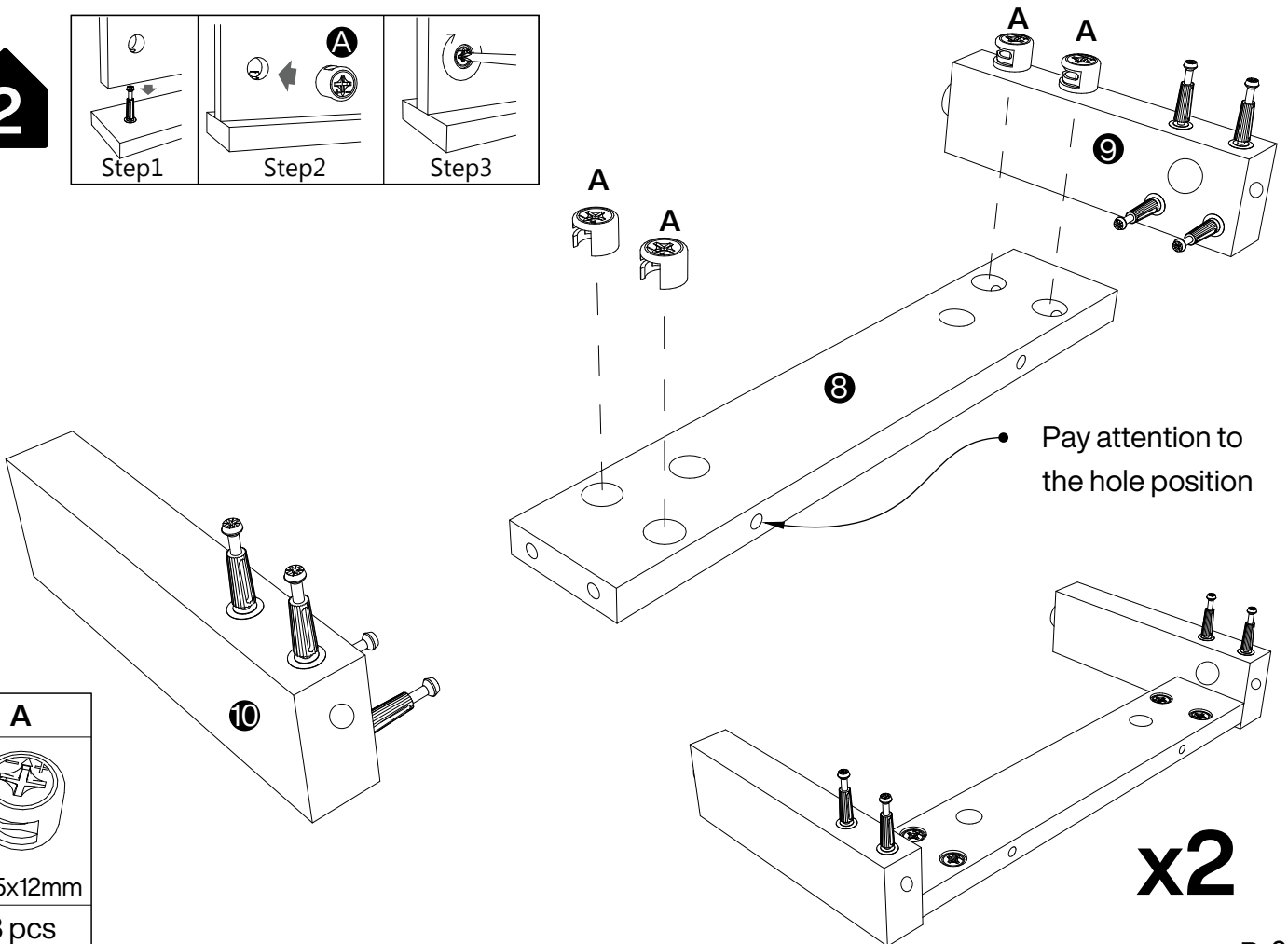
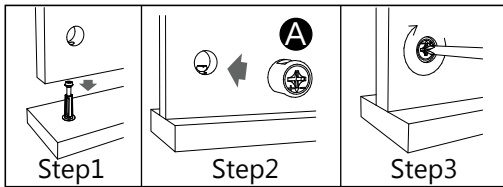


1



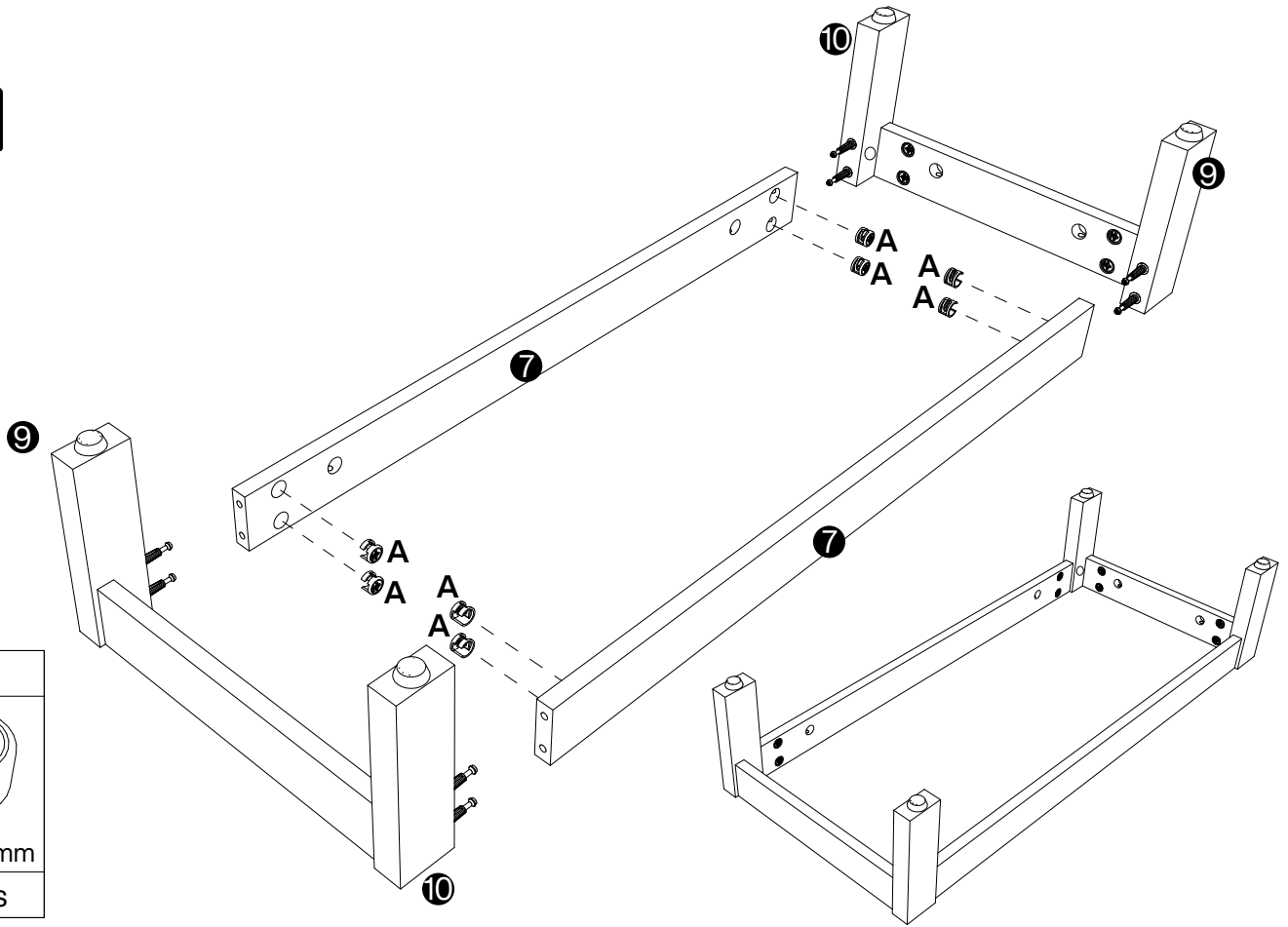
B	F
M6x40mm	
16 pcs	4 pcs

2



A
Ø15x12mm
8 pcs

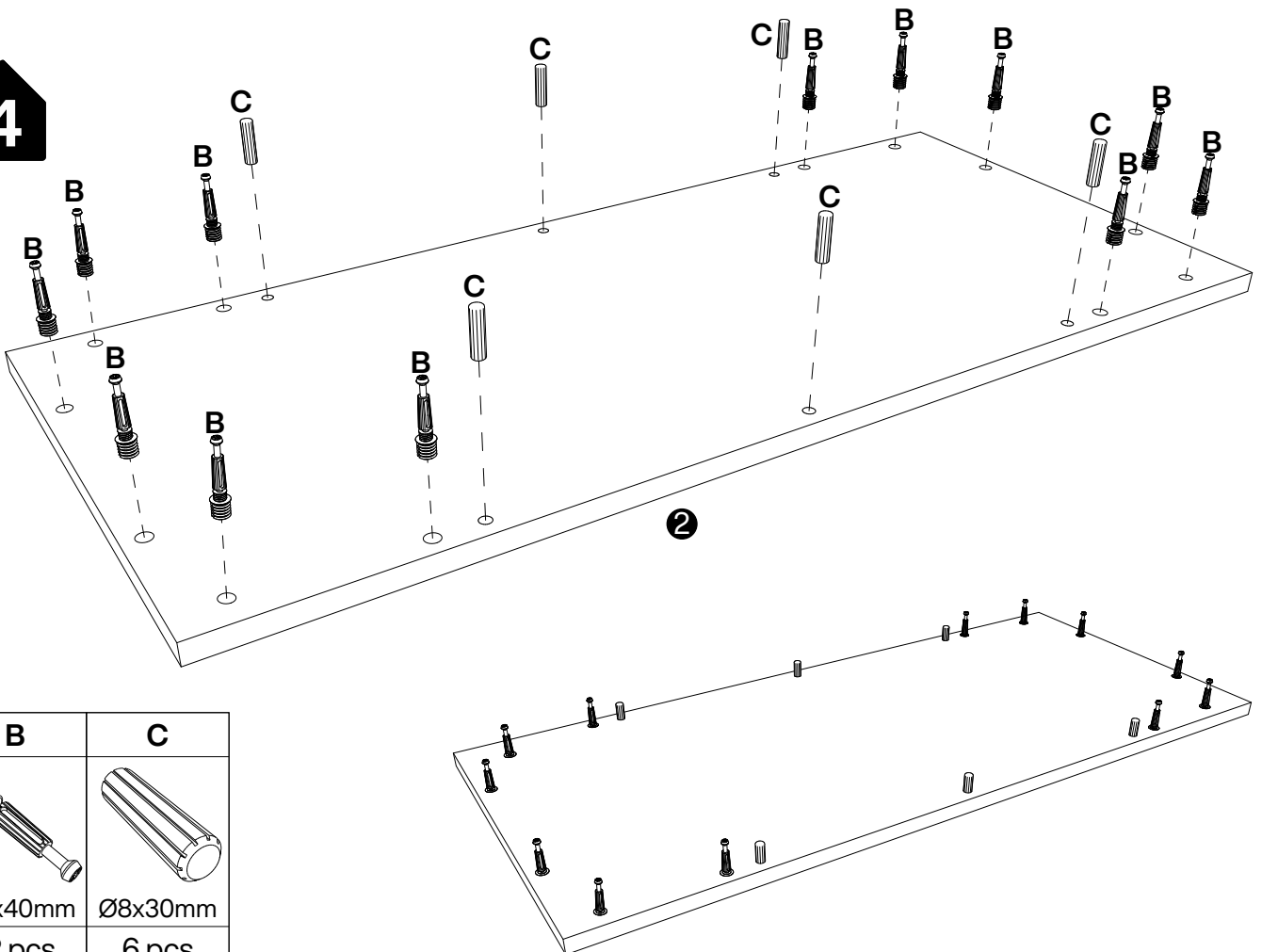
3

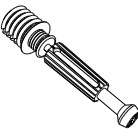



A

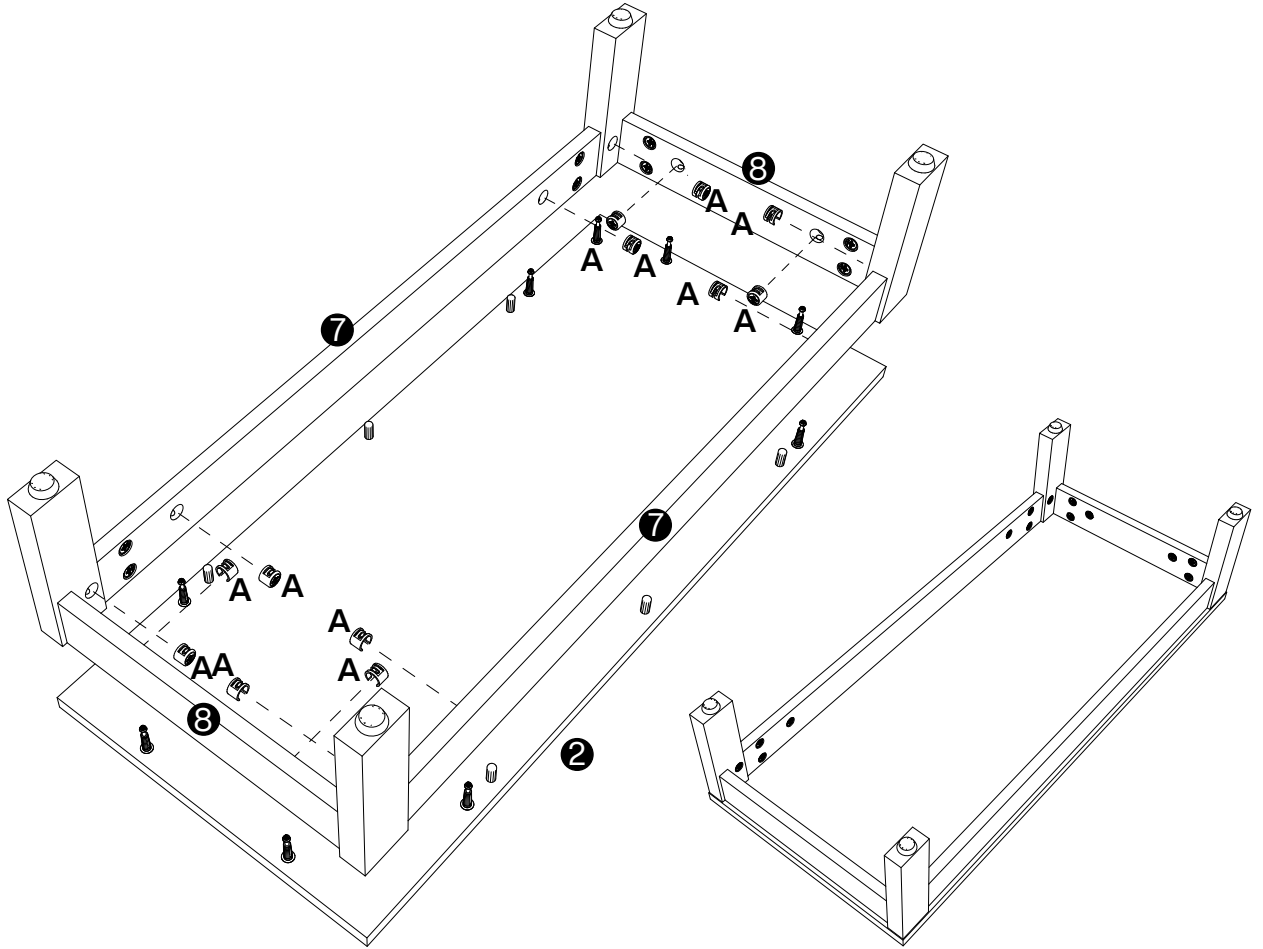
Ø15x12mm
8 pcs

4



B	C
	
M6x40mm	Ø8x30mm
12 pcs	6 pcs

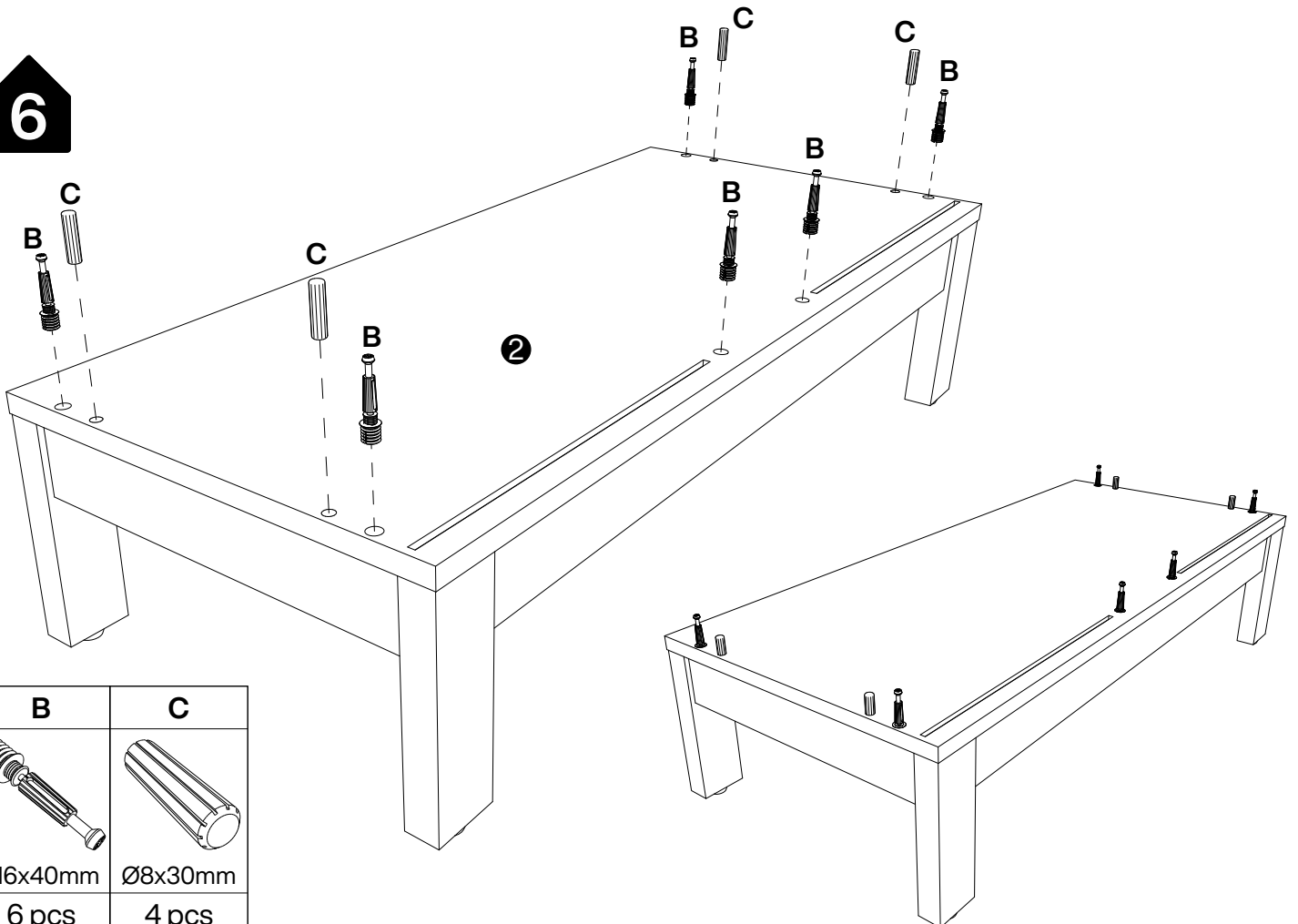
5

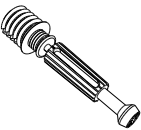
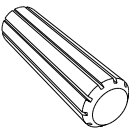


A

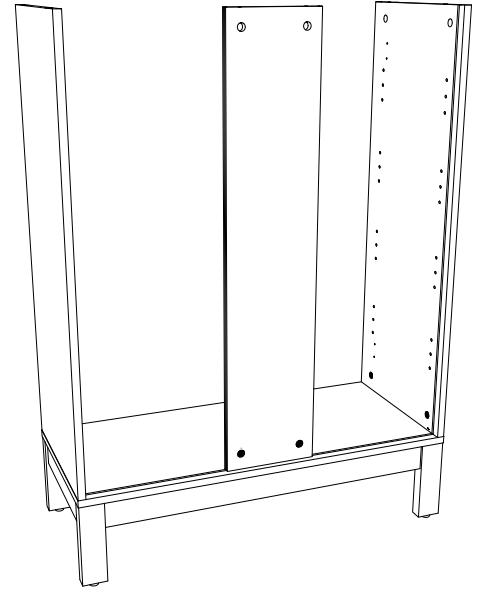
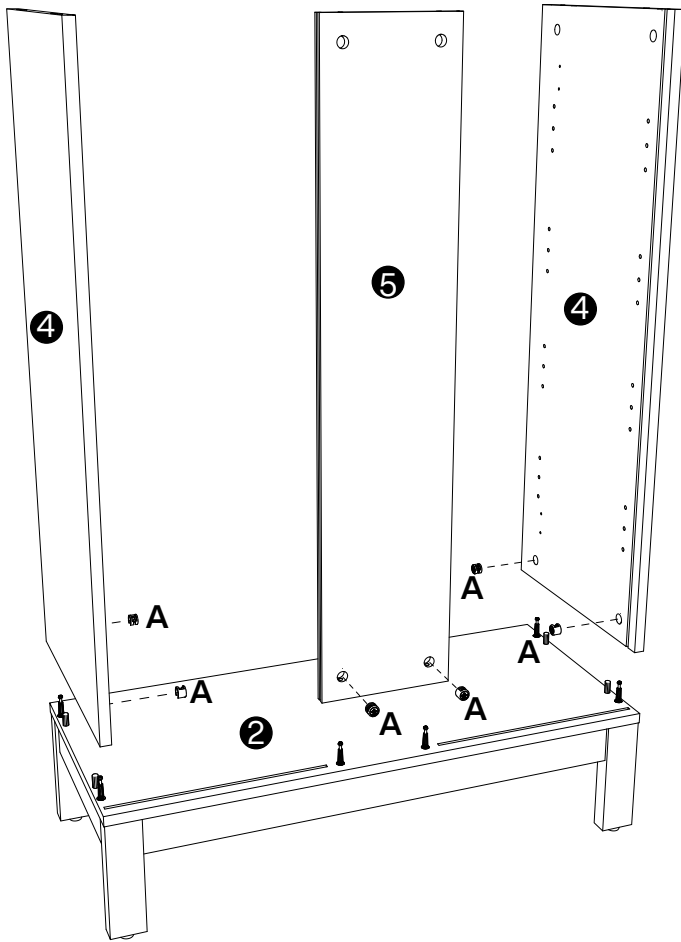
Ø15x12mm
12 pcs

6

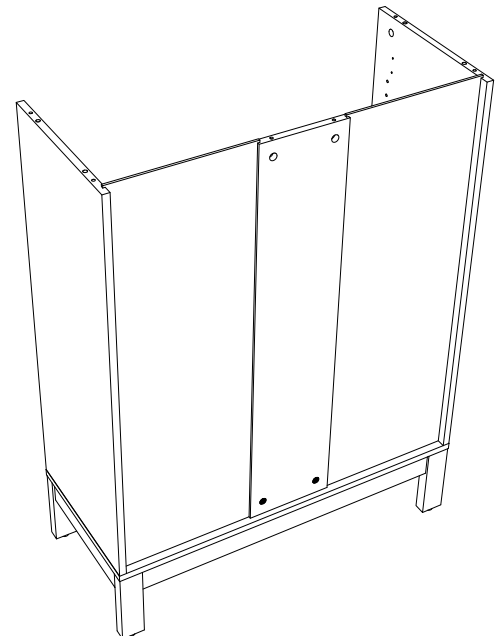
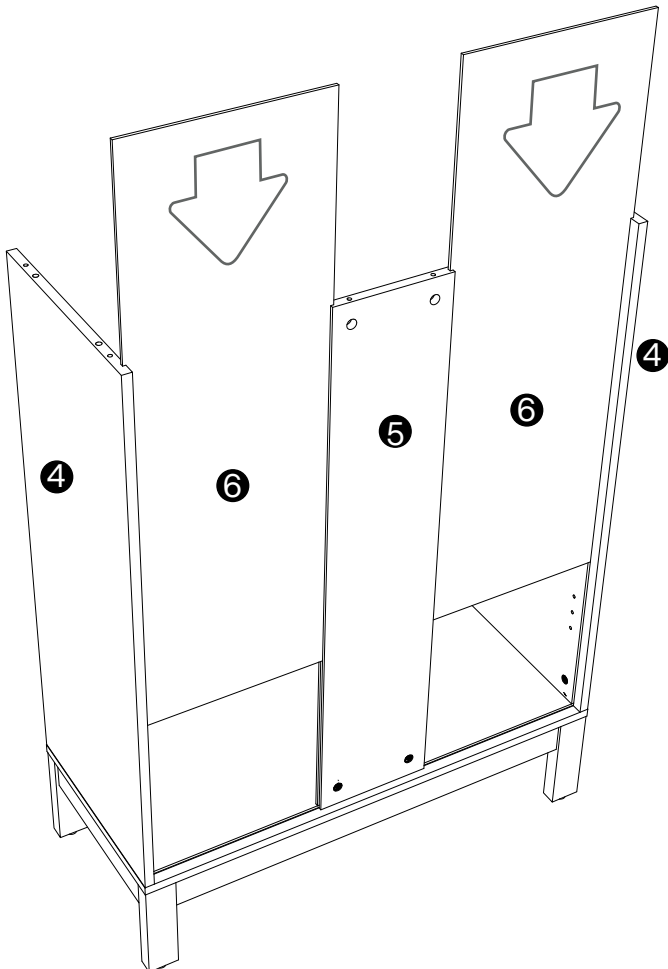


B	C
	
M6x40mm	Ø8x30mm
6 pcs	4 pcs

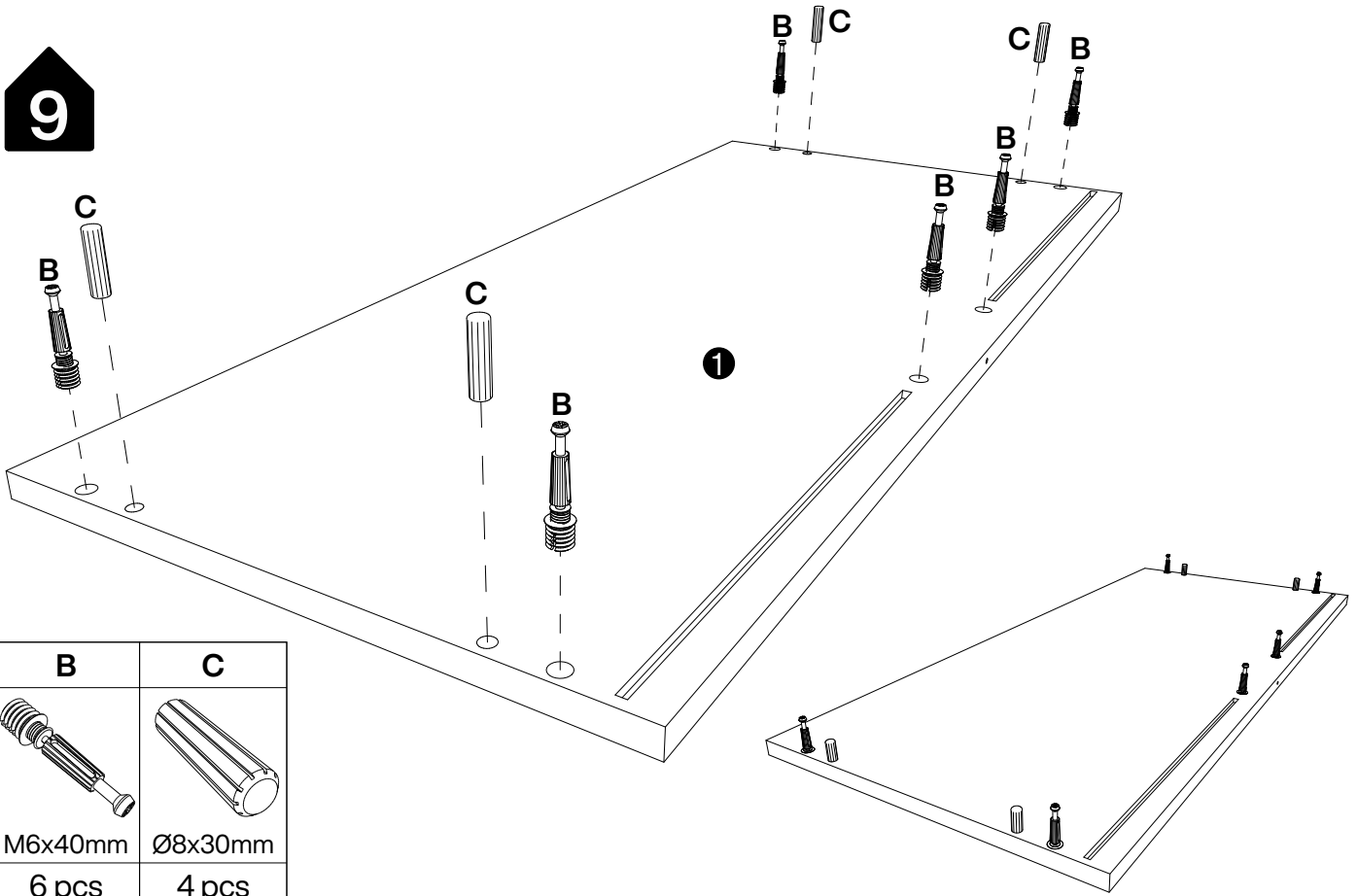
7



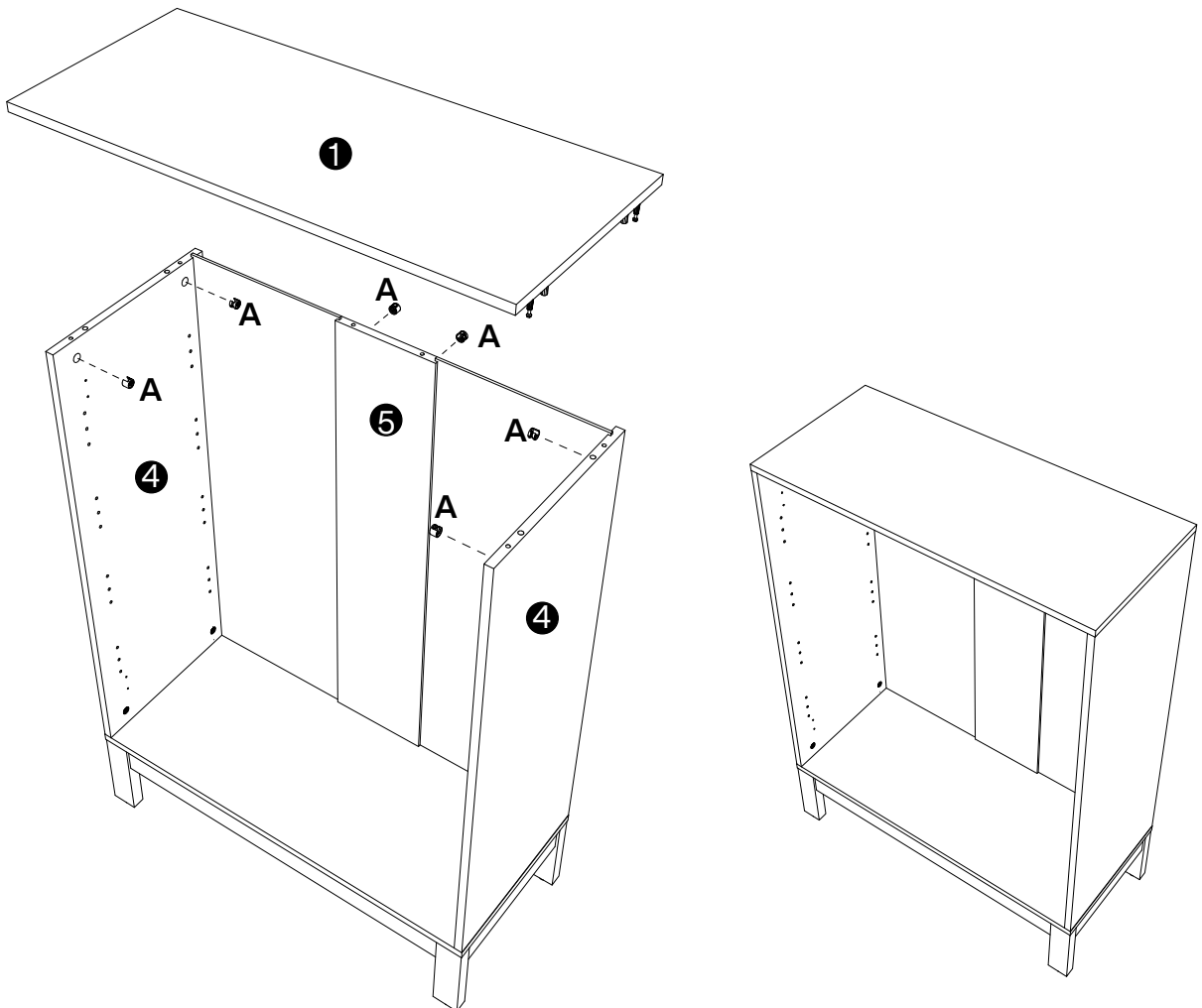
8



9




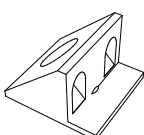
10

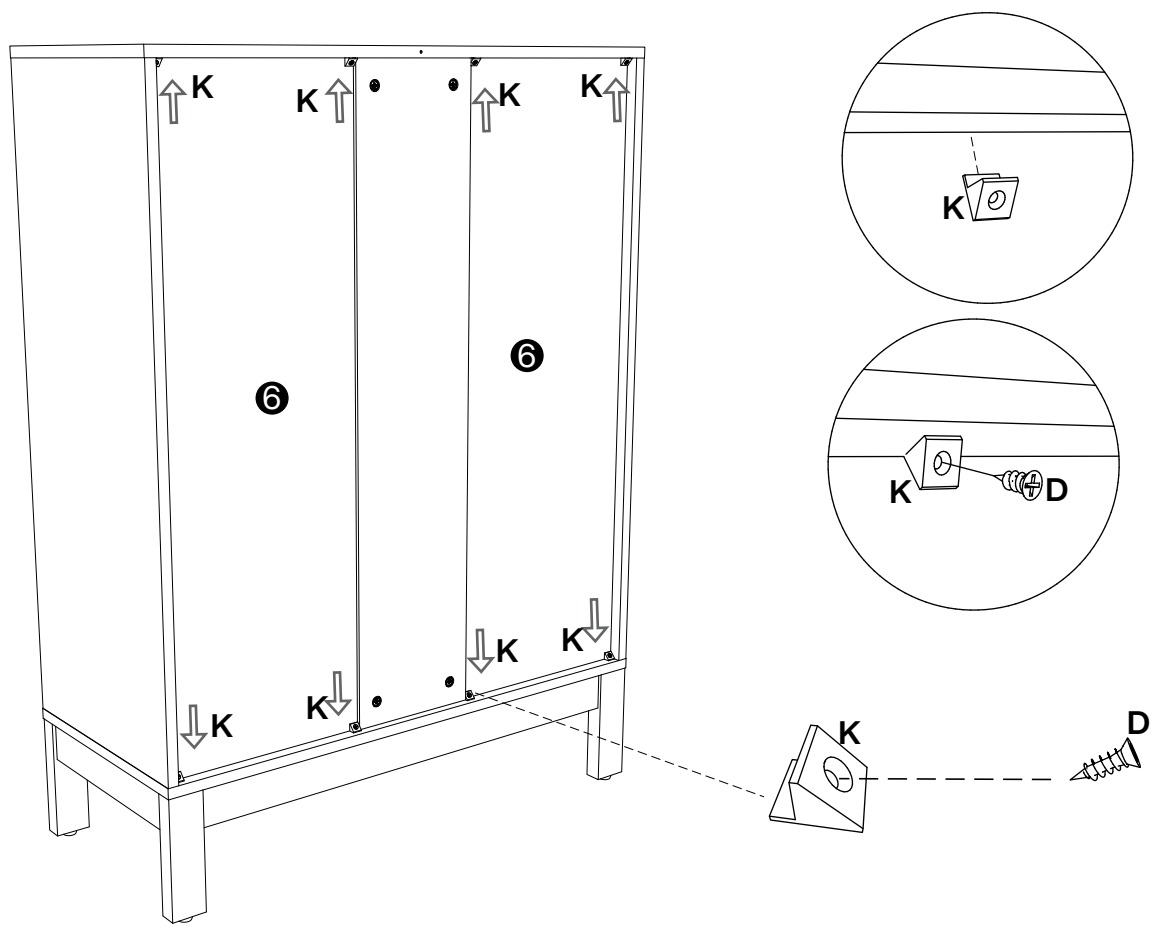


A

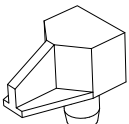
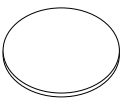
Ø15x12mm
6 pcs

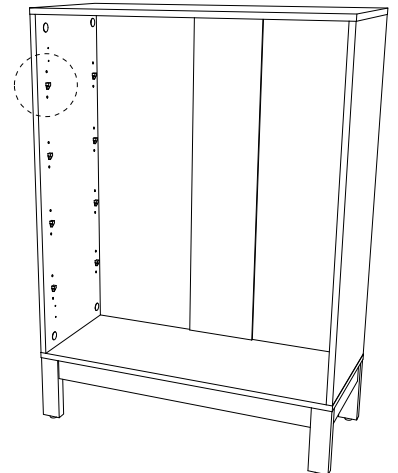
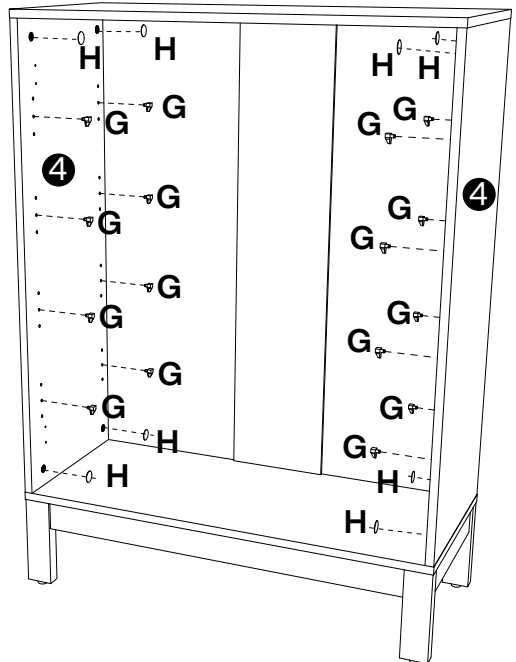
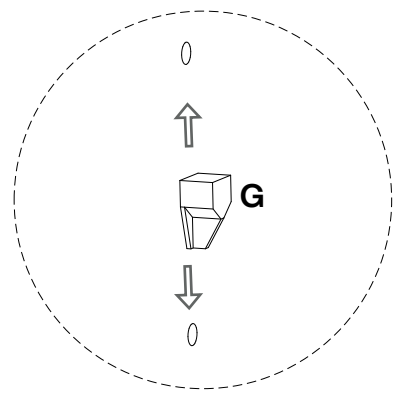
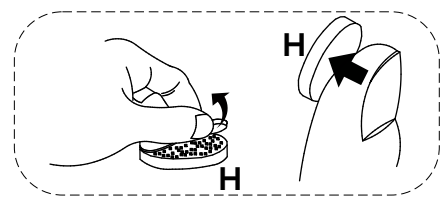
11

D

Ø3.5x14mm
8 pcs
K

8 pcs



12

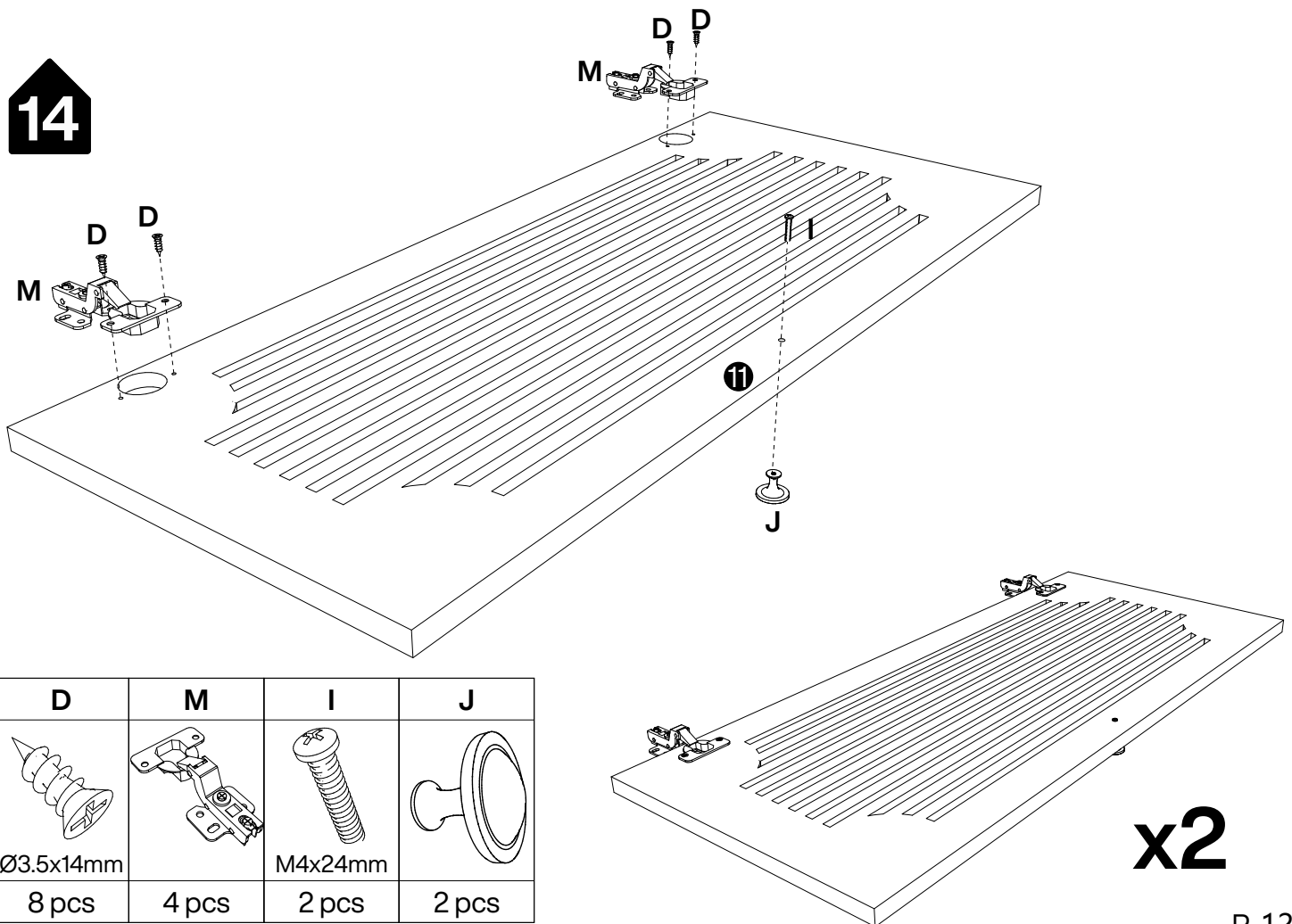
G

16 pcs
H

8 pcs

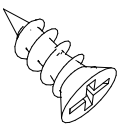
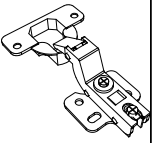
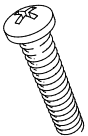
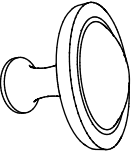


13



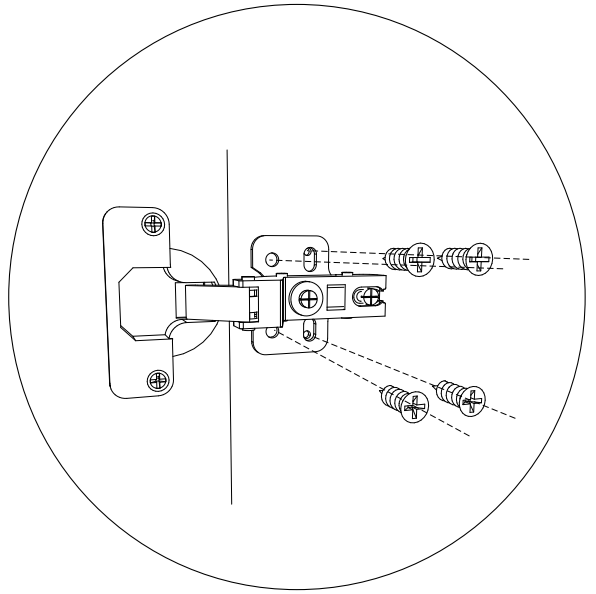
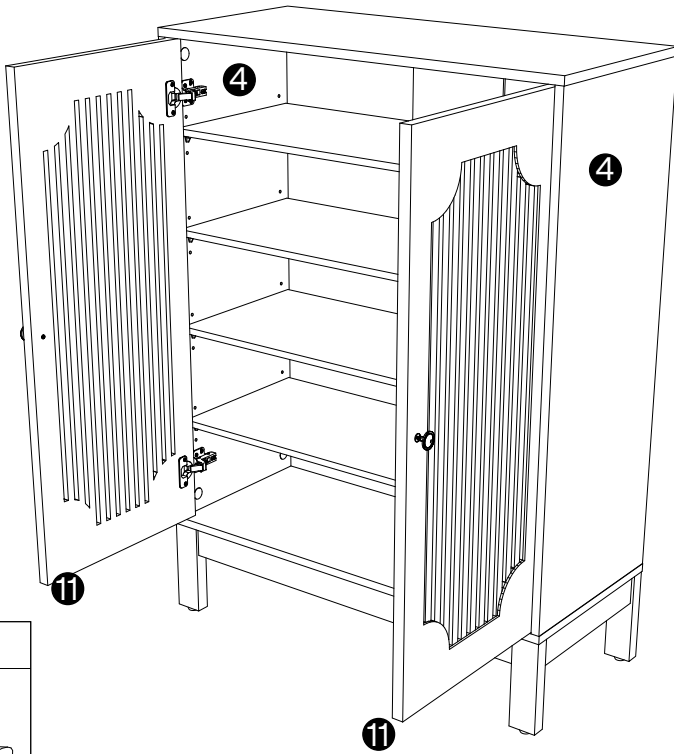
14



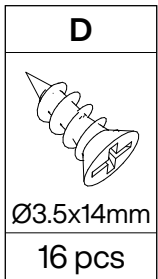
D	M	I	J
			
Ø3.5x14mm		M4x24mm	
8 pcs	4 pcs	2 pcs	2 pcs

x2

15

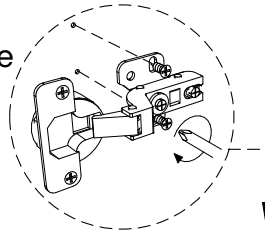


To prevent the door hinge from falling off, please install 4 screws

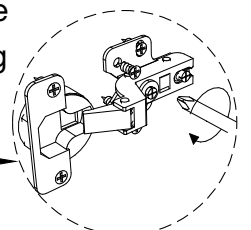


16

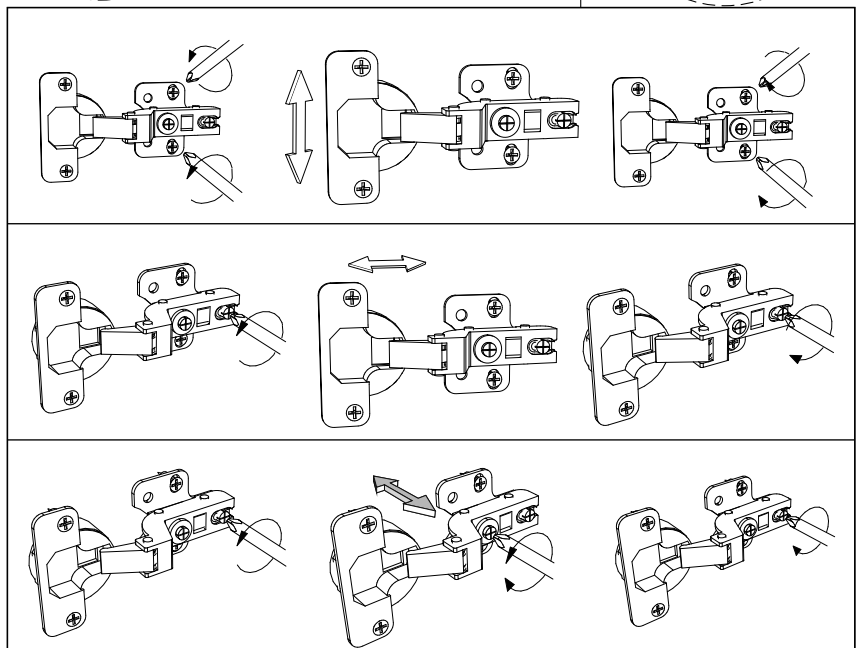
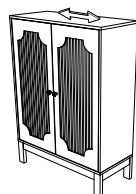
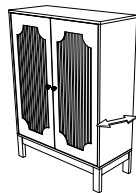
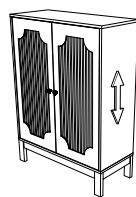
Please first install the two screws located near the interior of the cabinet



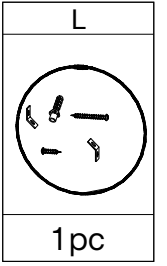
After completing the adjustments, please install the remaining two self-tapping screws



If there is misalignment after you install, adjust the screw to the best condition

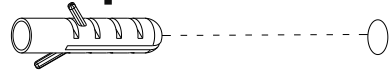


17

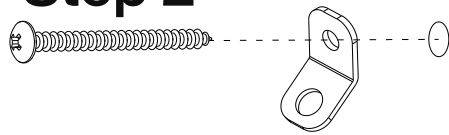


Wall

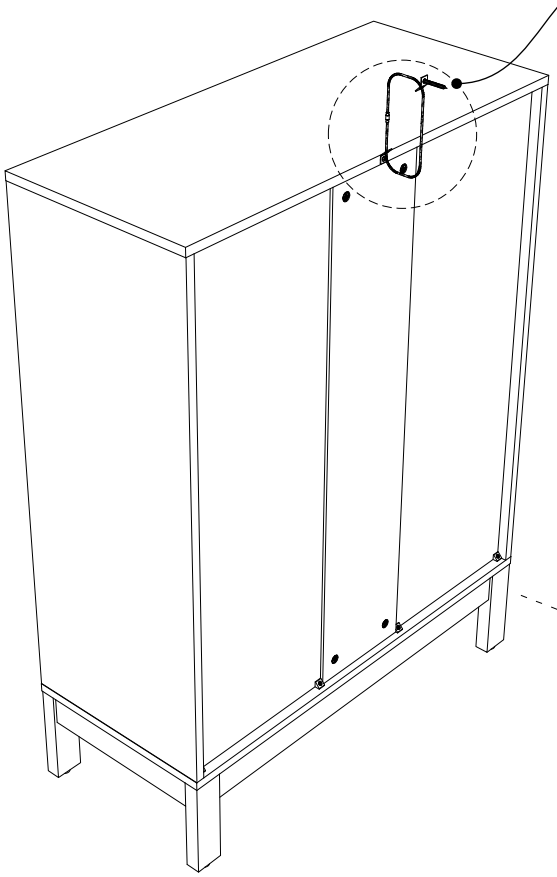
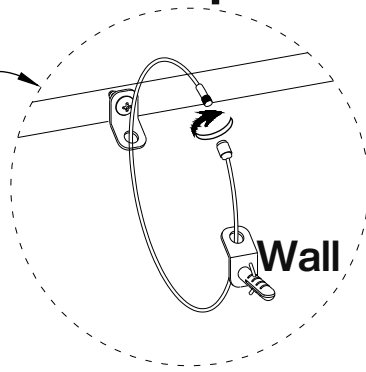
Step 1



Step 2



Step 3



Thank you for your support!

