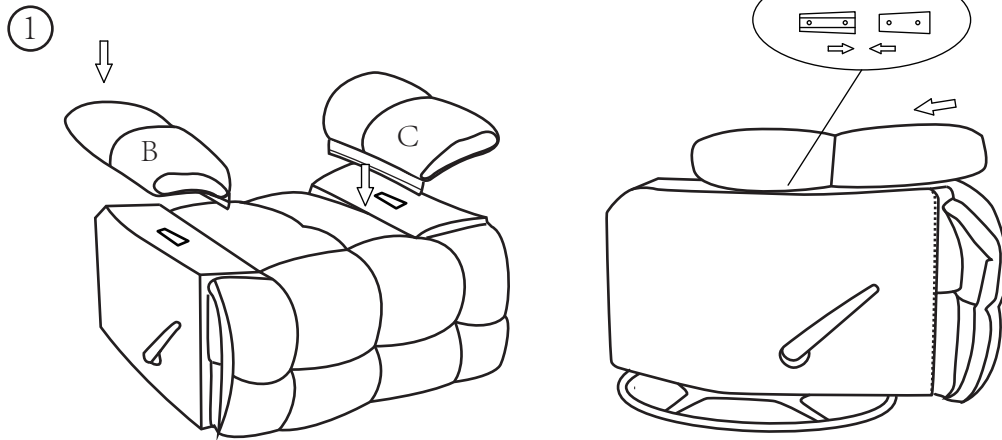
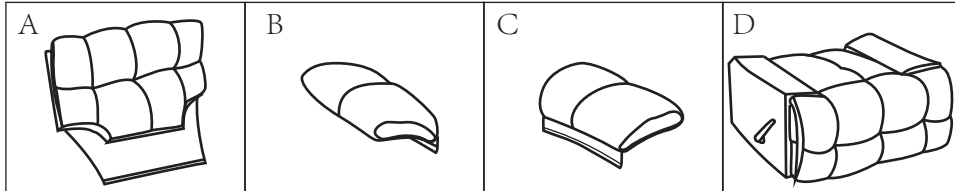


MANUAL

LIST:

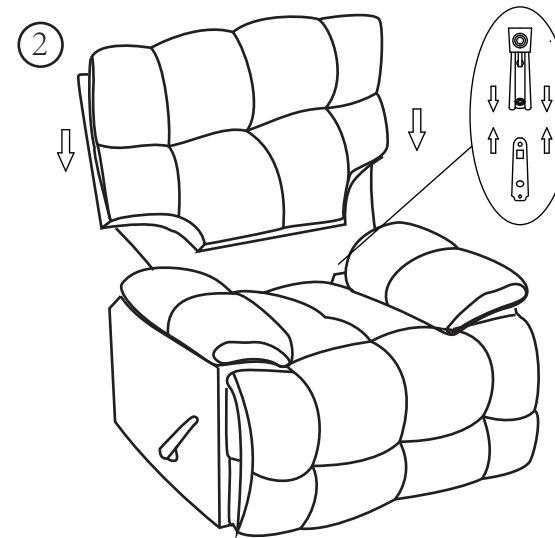
- A:RECLINER BACKREST: 1
- B:RIGHT ARMREST:1
- C:LEFT ARMREST :1
- D:RECLINER SEAT:1

(one of the armrest is on the right side under the seat cushion.)



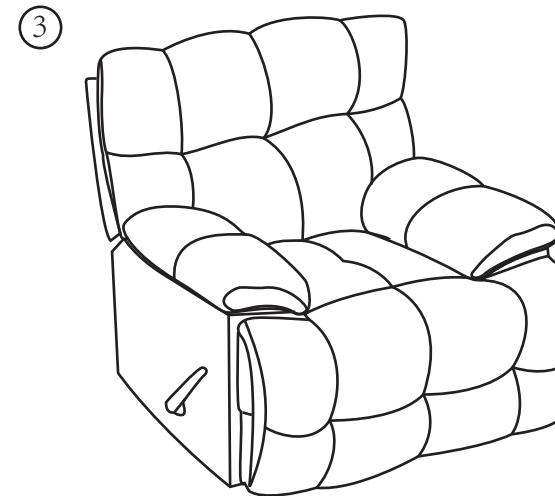
Assemble Armrest Cushion

- 1: Align the snaps of the armrest cushion with the armrest frame, and push the cushion from the front to the back.
- 2: Attach the Velcro of the armrest cushion to the Seat Frame.



Assemble The Backrest

Align the tabs on the backrest with the tabs on the base, and then insert the backrest downward. When you hear a click, the insertion is complete.



Arrange The Recliner

When the recliner is freshly unpacked, it may have some deformations due to compression. You can promote its shape recovery by patting and tapping it with your hands.

ATTENTIONS

- Please don't store this product in damp environment.
- Please don't put this product near a heat source.
- Please don't let water or other liquids flow into the product, which cause damage to the product.
- Please don't discarded the electronic products as household waste.
- Please per the local laws and regulations to dispose the products.