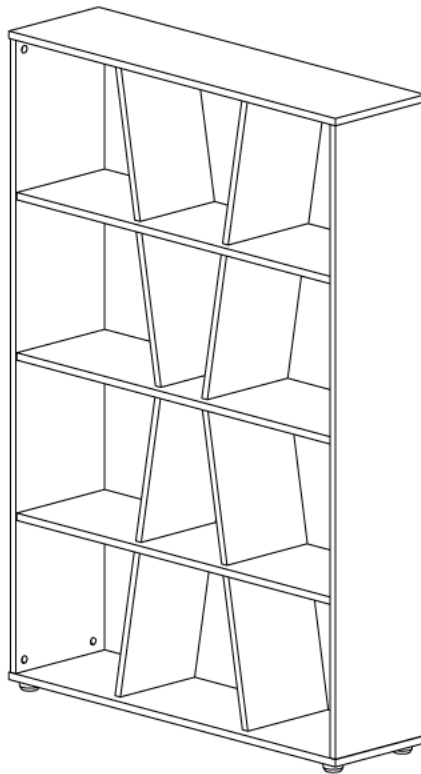
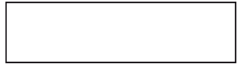


# MEDIUM BOOKCASE ASSEMBLY INSTRUCTIONS



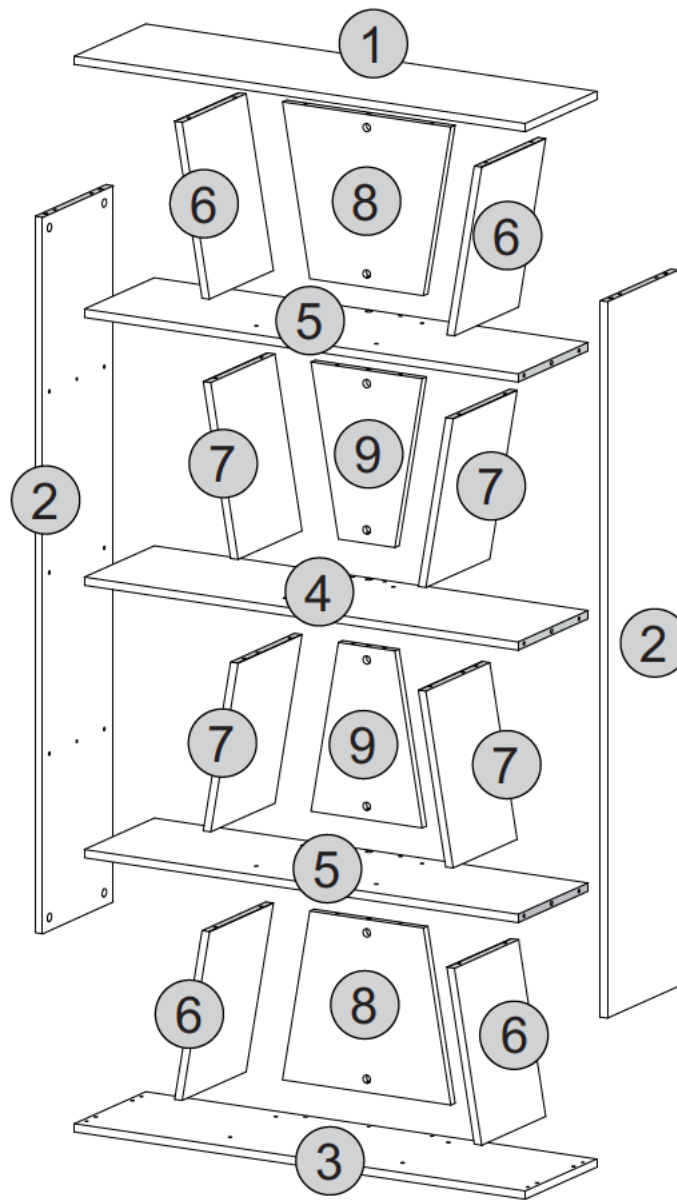
## **IMPORTANT FOR DOMESTIC USE ONLY**

**PLEASE READ BEFORE YOU CONTINUE FURTHER**

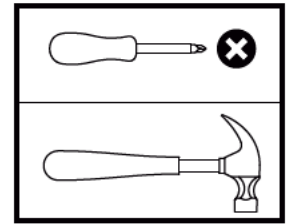
## **CARE AND MAINTENANCE**

After unpacking this product please keep the original packaging in case it needs to be returned for any reason.

- Please ensure all fittings and parts are present before commencing with assembly.
- Never drag or push products as this could cause damage to the joints making it inferior.
- We strongly recommend that you keep children away from your work area.
- We recommend that you lay a blanket or sheet on the floor to avoid damage to both your floor and the product.
- Assemble this product as close to its final position as possible.
- Do not place this product next to a radiator or in direct sunlight.
- Do not drag or push items across your high gloss furniture as this may cause the surface to scratch
- Wood is a natural product and may expand if subjected to damp and may shrink or crack if subjected to heat. Therefore it is recommended that room temperature is maintained, with no sudden temperature fluctuations.
- Make sure any spillage is wiped off immediately.
- Do not place hot or chilled items directly on to the surface, use a place mat or marking will occur.
- For general cleaning use a soft cotton or micro fibre cloth, and do not use detergents of any kind.
- From time to time it may be necessary to tighten fittings, regular inspections should be carried out.
- Do not place on a wet or damp floor as staining may occur to your floor.



**TOOLS REQUIRED**



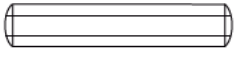
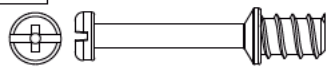

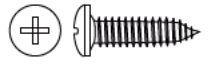

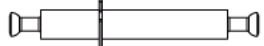

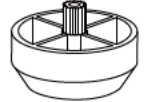


**PARTS LIST**

**Please Note:**  
The below parts have all been stamped with the part number to help identify them during assembly.

Part Number
1
2
3
4
5
6
7
8
9


Part Description	Quantity	Carton
Top Panel	1	1/1
Side Panel	2	1/1
Base Panel	1	1/1
Centre Shelf Panel	1	1/1
Outer Shelf Panel	2	1/1
Outer Partition	4	1/1
Centre Partition	4	1/1
Large Back Panel	2	1/1
Small Back Panel	2	1/1


## FITTINGS LIST

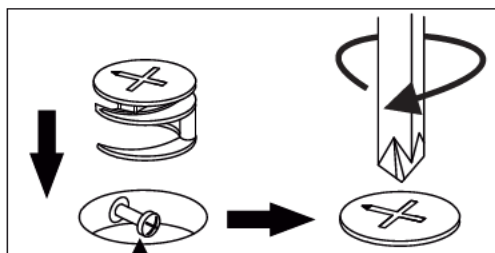
<b>A</b>  2/+ Dowel Ø6,0 x 30mm (68x)	<b>B</b>  2/+ Cam Bolt (16x)	<b>C</b>  2/+ Cam Nut (22x)	<b>D</b>  1/+ FlatHead Screw Ø4 x 14mm (1x)
<b>E</b>  1/+ Washer (2x)	<b>F</b>  1/+ Double Rod Minifix (3x)	<b>G</b>  Glue (2x)	<b>H</b>  Plastic Foot 40x18mm (6x)
<b>I</b>  Strap (1x)	<b>J</b>  2/+ Hole Plugs (16x)		

## TIPS FOR FITTINGS CAM-LOCKS

WHEN FITTING CAM NUT. ENSURE STARTING POSITION IS CORRECT BEFORE YOU INSERT CONNECTING CAM BOLT TURN CLOCKWISE UNTIL SECURE

  
 ✓  
 ↑  
 CORRECT

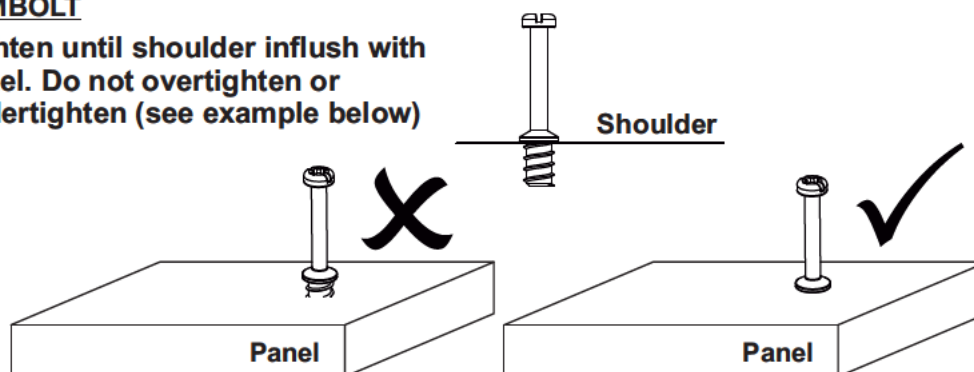
  
 ✗  
 WRONG



Cam bolt head needs to be in centre

### CAMBOLT

Tighten until shoulder in flush with panel. Do not overtighten or undertighten (see example below)




# STEP 1

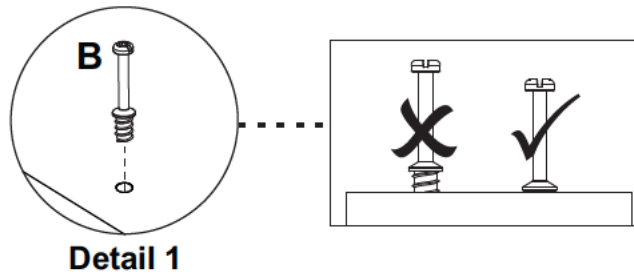
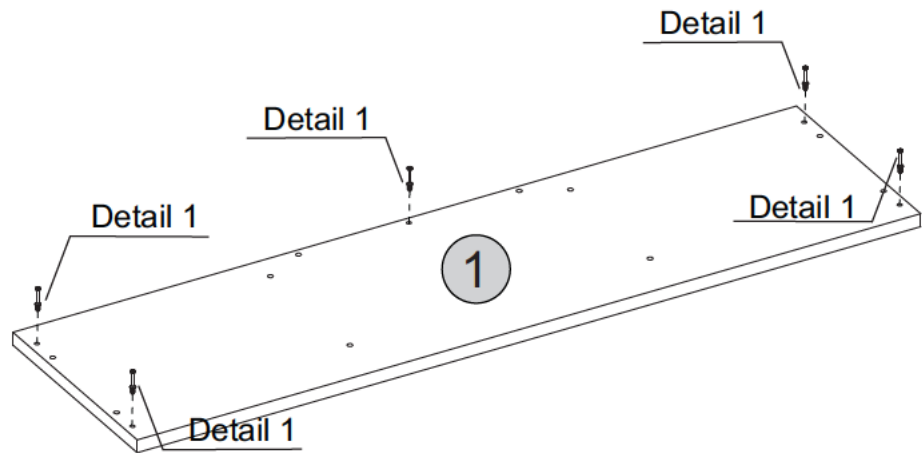
## PARTS REQUIRED

1 TOP PANEL x1

## HARDWARE REQUIRED

B  05

## TOOLS REQUIRED




Detail 1

# STEP 2

## PARTS REQUIRED

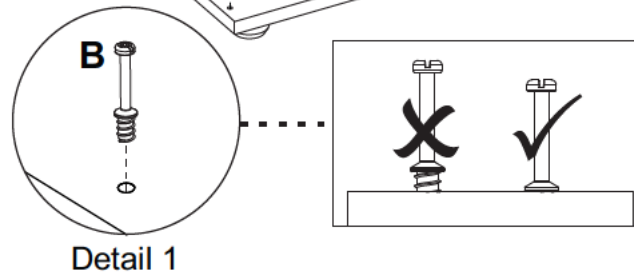
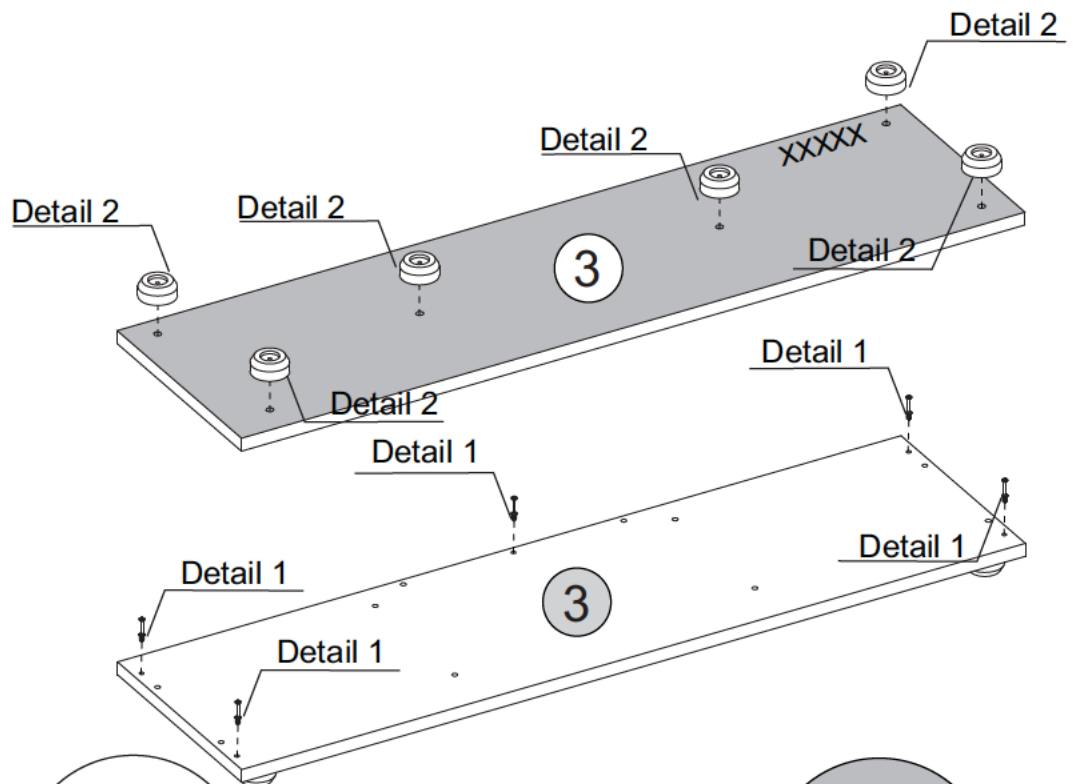
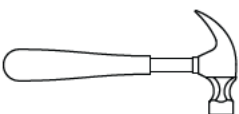
3 BASE PANEL x1

## HARDWARE REQUIRED

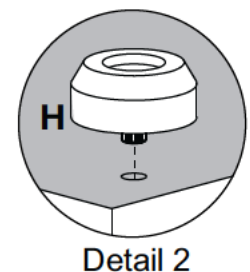
B  05

H  06

## TOOLS REQUIRED



Detail 1



Detail 2

# STEP 3

## PARTS REQUIRED

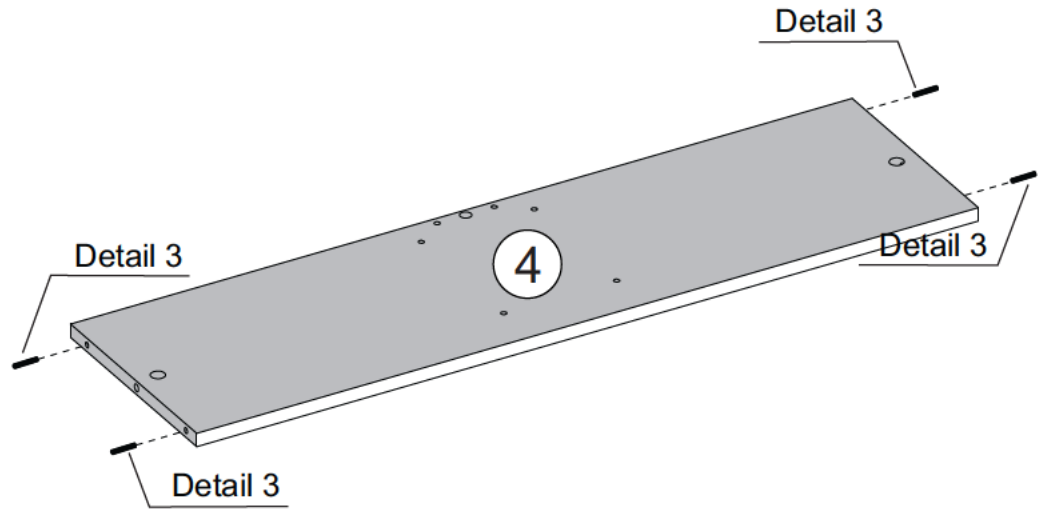
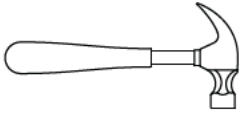
4 CENTRE SHELF PANEL x1

## HARDWARE REQUIRED

A  04

G  01

## TOOLS REQUIRED



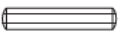
Detail 3

# STEP 4

## PARTS REQUIRED

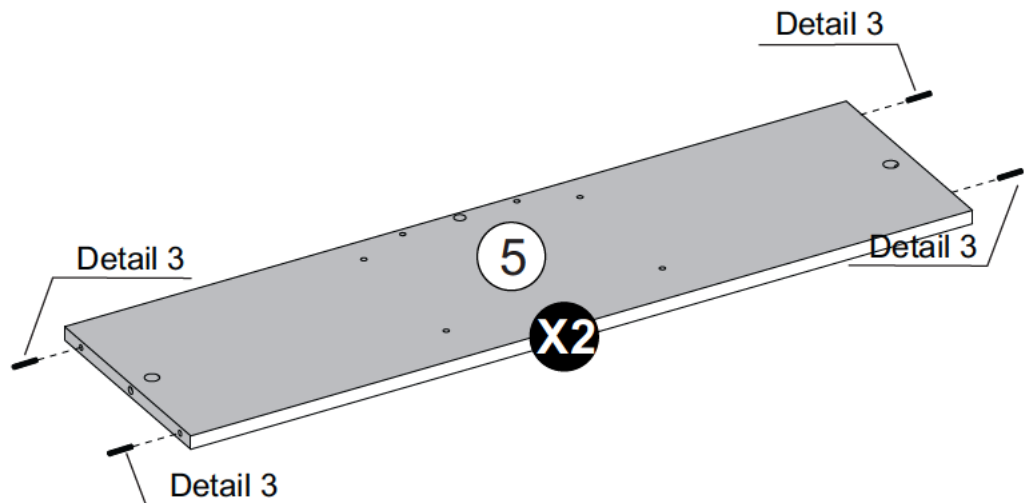
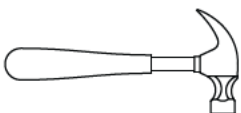
5 OUTER SHELF PANEL x2

## HARDWARE REQUIRED

A  08

G  01

## TOOLS REQUIRED



Detail 3

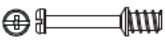
# STEP 5

## PARTS REQUIRED

2 SIDE PANEL x2

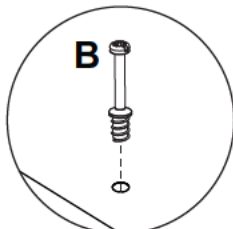
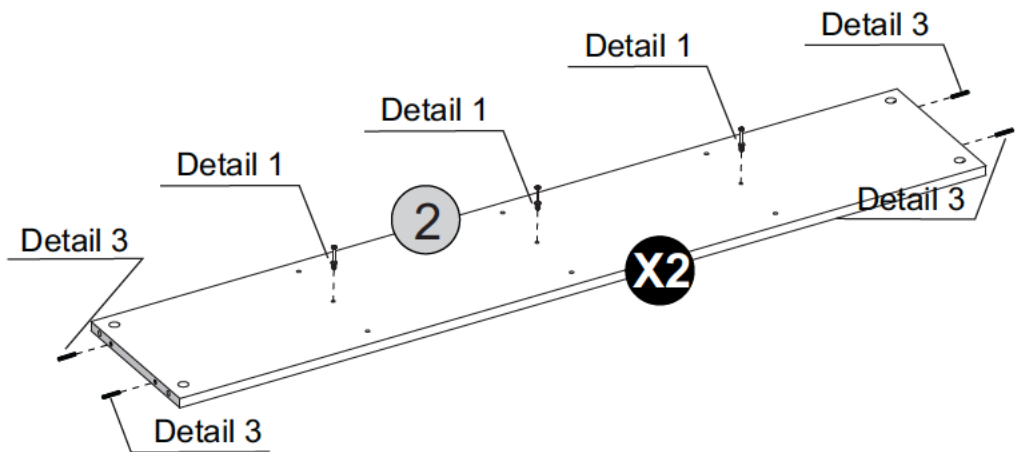
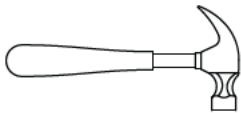
## HARDWARE REQUIRED

A  08

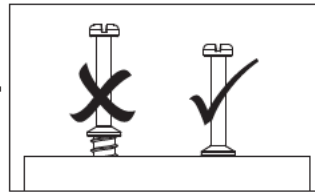
B  06

G  01

## TOOLS REQUIRED



Detail 1



Detail 3

# STEP 6

## PARTS REQUIRED

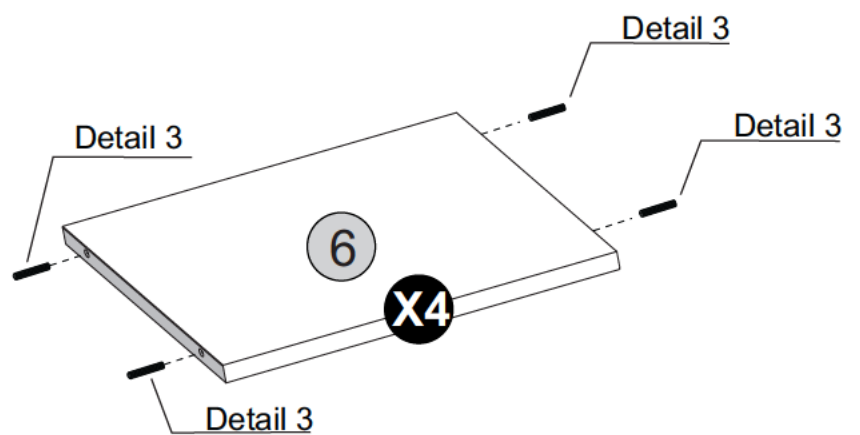
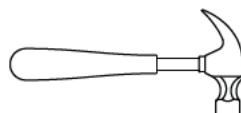
6 OUTER PARTITION x4

## HARDWARE REQUIRED

A  16

G  01

## TOOLS REQUIRED



Detail 3

# STEP 7

## PARTS REQUIRED

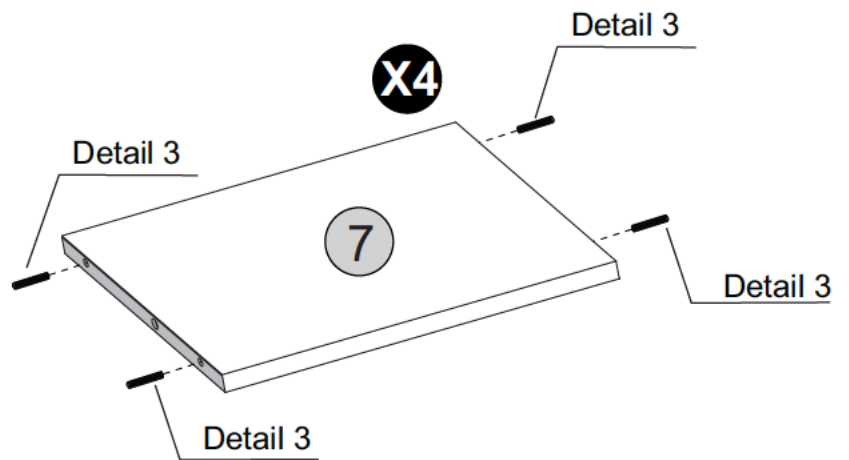
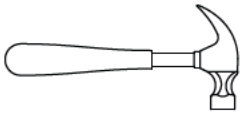
7 CENTRE PARTITION x4

## HARDWARE REQUIRED

A  16

G  01

## TOOLS REQUIRED



Detail 3

# STEP 8

## PARTS REQUIRED

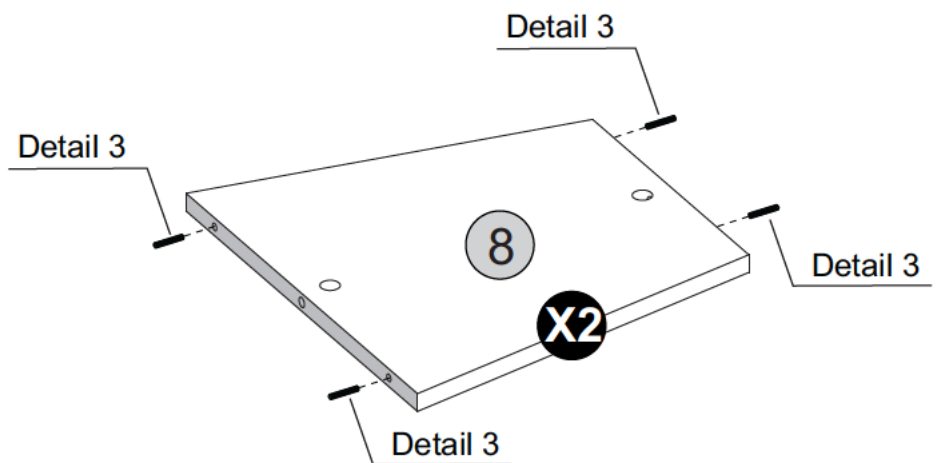
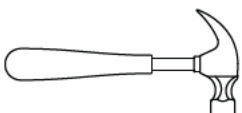
8 LARGE BACK PANEL x2

## HARDWARE REQUIRED

A  08

G  01

## TOOLS REQUIRED




Detail 3

# STEP 9

## PARTS REQUIRED

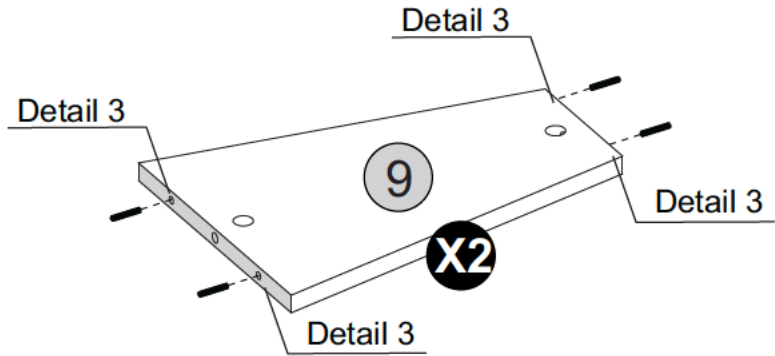
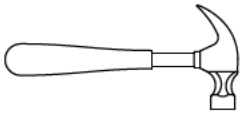
9 SMALL BACK PANEL x2

## HARDWARE REQUIRED

A  08

G  01

## TOOLS REQUIRED



Detail 3

# STEP 10

## PARTS REQUIRED

1 TOP PANEL x1

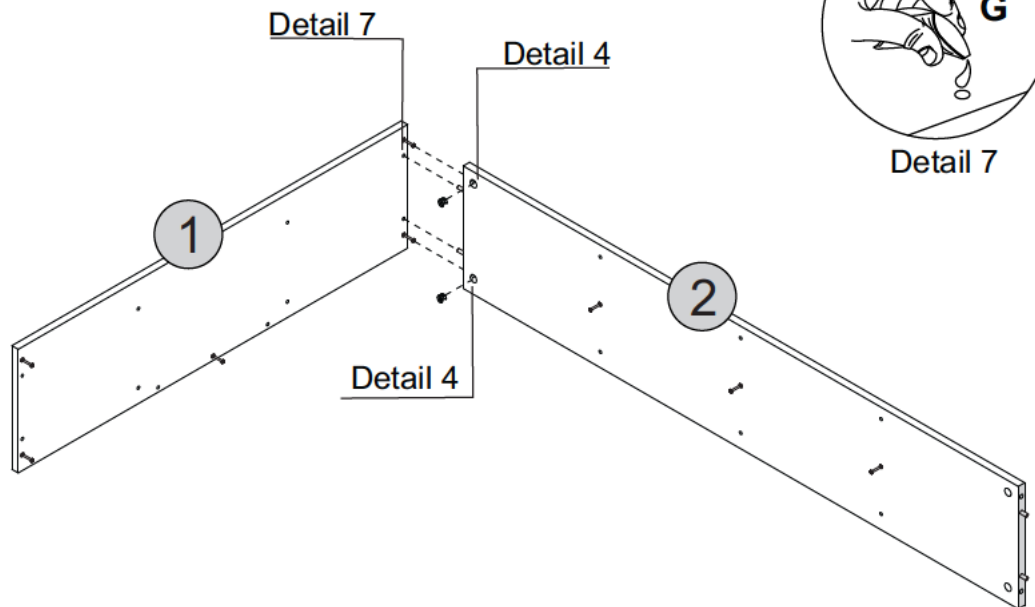
2 SIDE PANEL x1

## HARDWARE REQUIRED

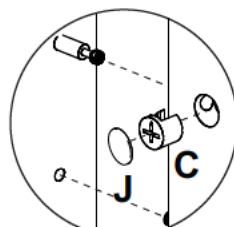
C  02

G  01

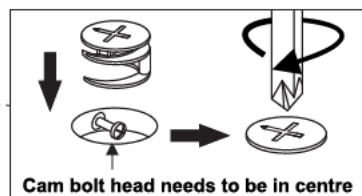
## TOOLS REQUIRED



Detail 7



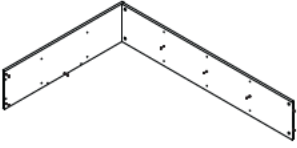
Detail 4



# STEP 11

## PARTS REQUIRED

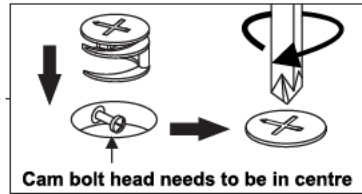
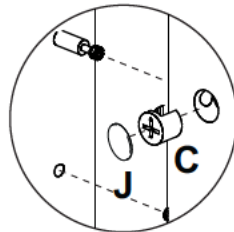
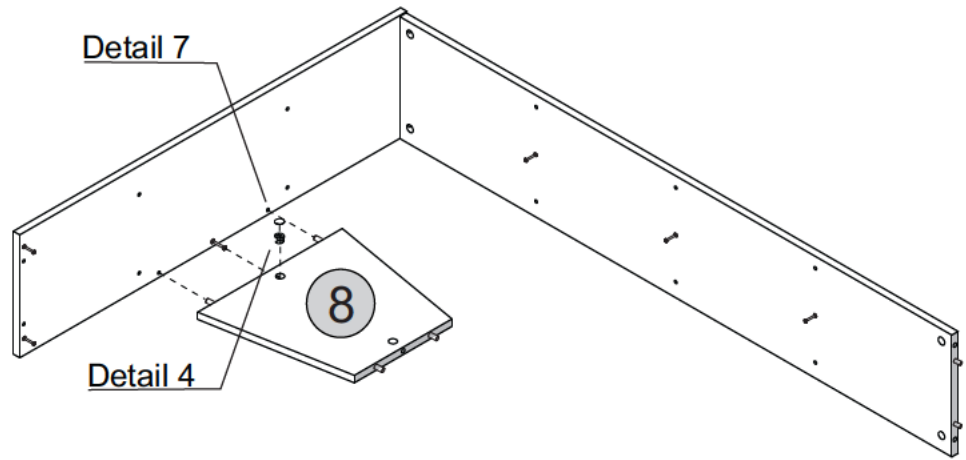
8 LARGE BACK PANEL x1



## HARDWARE REQUIRED



## TOOLS REQUIRED



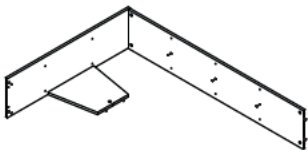
Detail 4

Detail 7

# STEP 12

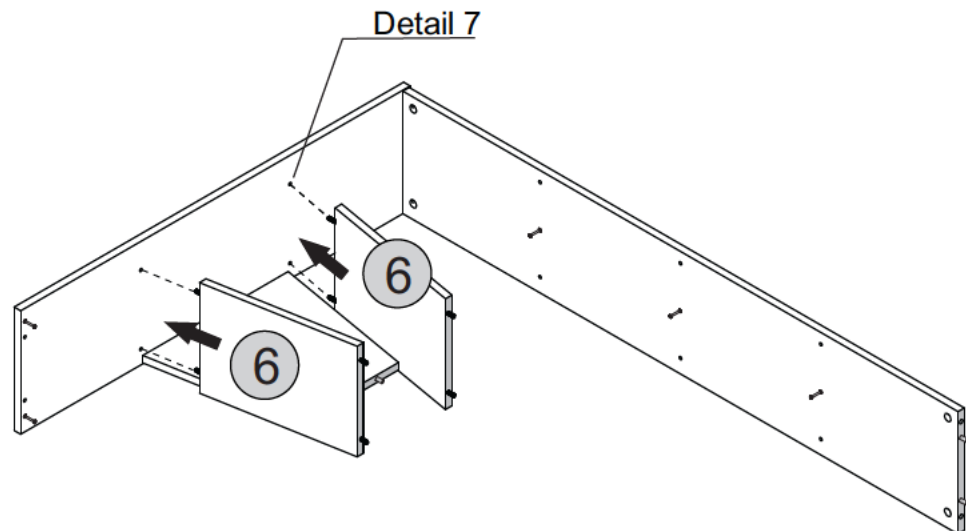
## PARTS REQUIRED

6 OUTER PARTITION x2



## HARDWARE REQUIRED

## TOOLS REQUIRED

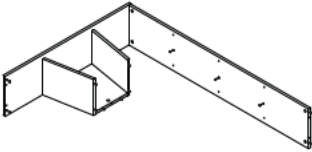


Detail 7

# STEP 13


## PARTS REQUIRED

5 OUTER SHELF PANEL x2



## HARDWARE REQUIRED

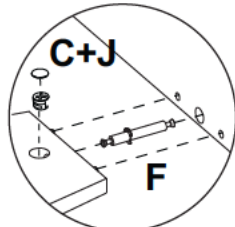
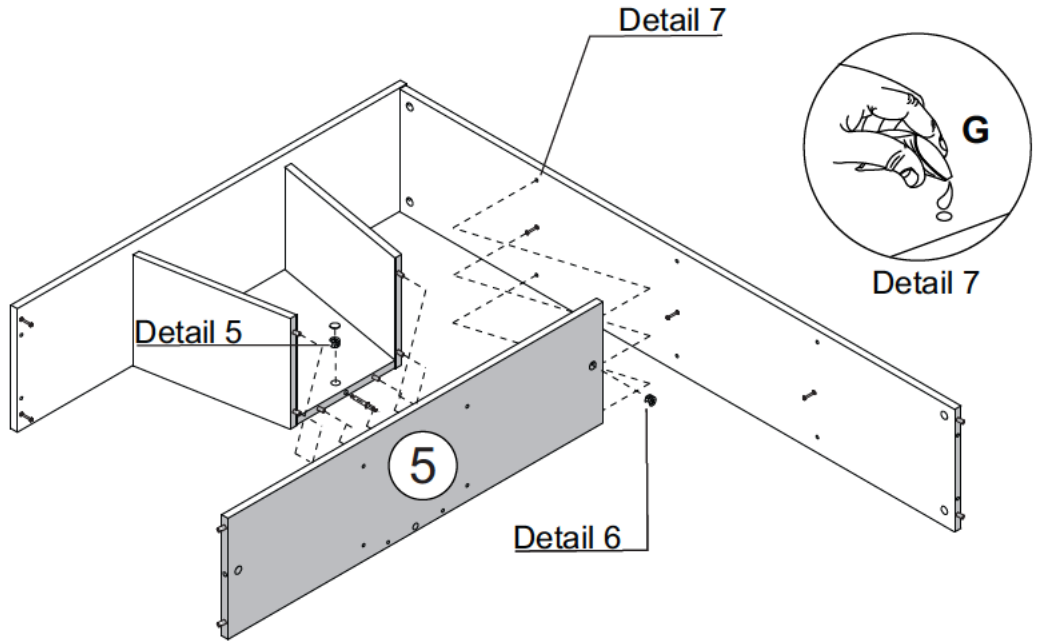
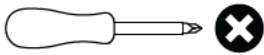
C  02

F  01

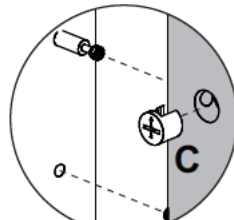
G  01

J  01

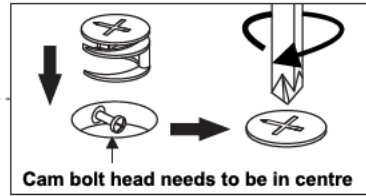
## TOOLS REQUIRED



Detail 5



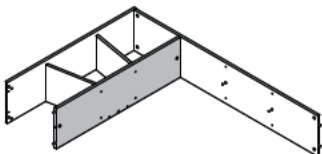
Detail 6



# STEP 14

## PARTS REQUIRED

9 SMALL BACK PANEL x1



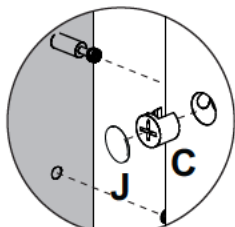
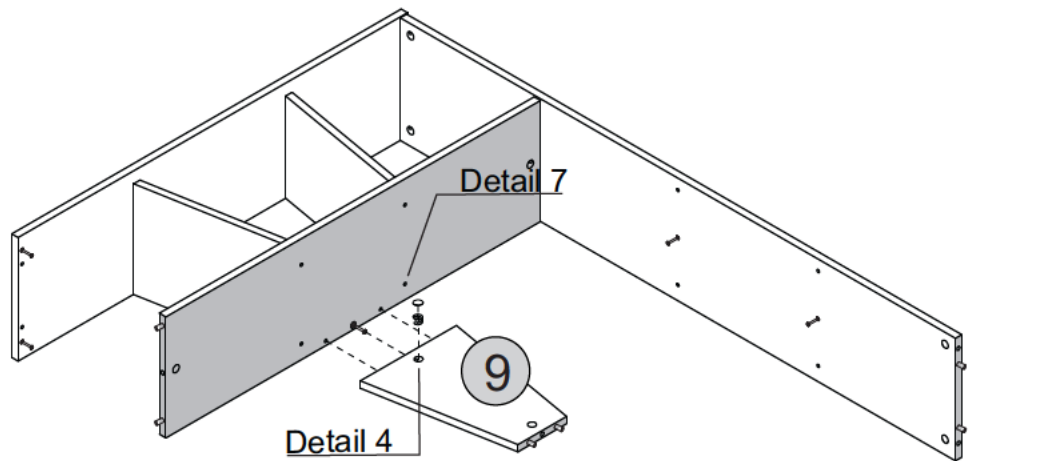
## HARDWARE REQUIRED

C  01

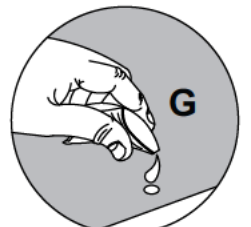
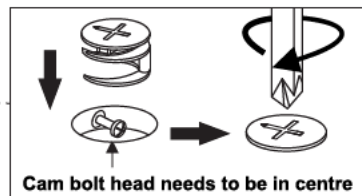
G  01

J  01

## TOOLS REQUIRED



Detail 4

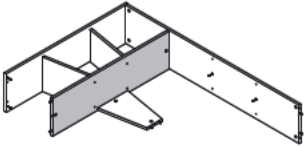


Detail 7

# STEP 15

## PARTS REQUIRED

7 CENTRE PARTITION x2



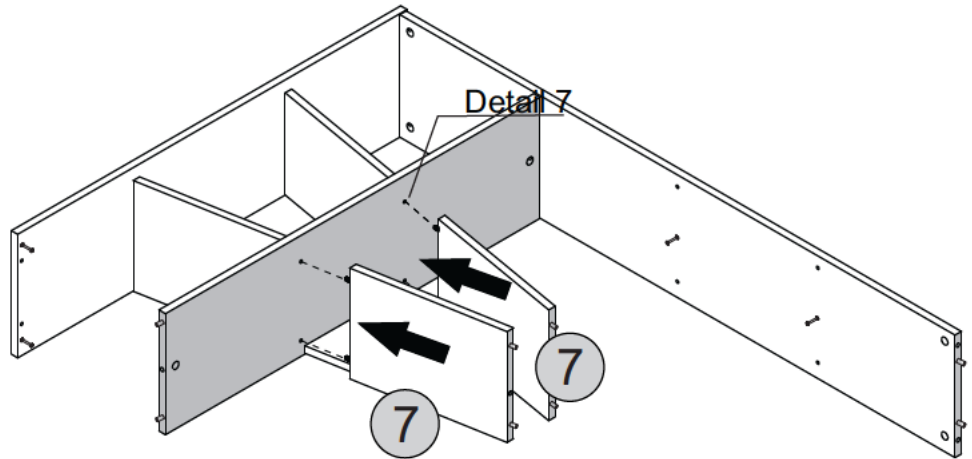
## HARDWARE REQUIRED

G  01

## TOOLS REQUIRED



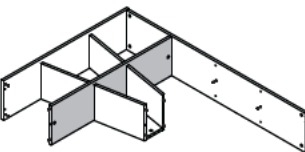
Detail 7



# STEP 16

## PARTS REQUIRED

4 CENTRE SHELF PANEL x1



## HARDWARE REQUIRED

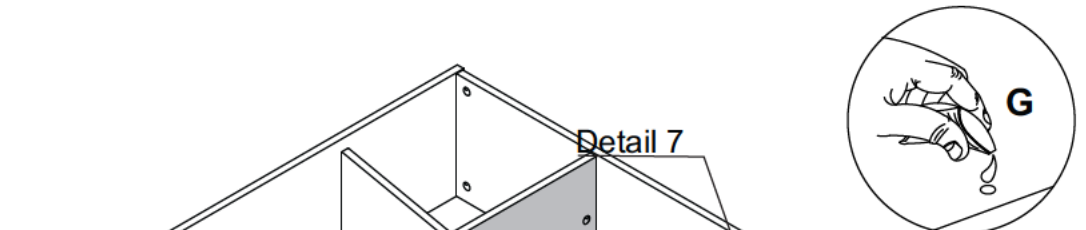
C  02

F  01

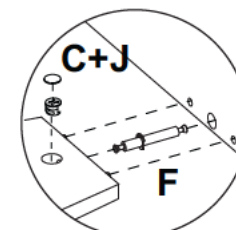
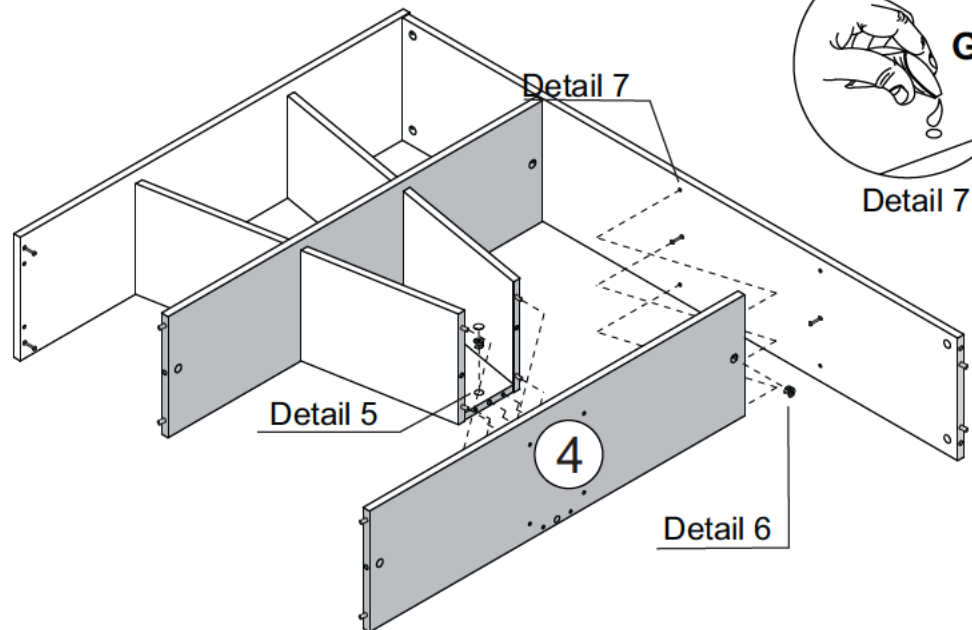
G  01

J  01

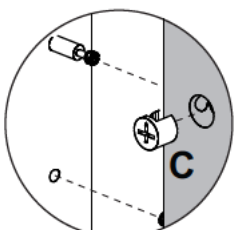
## TOOLS REQUIRED



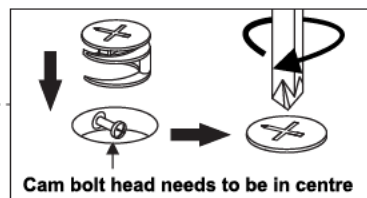
Detail 7



Detail 5



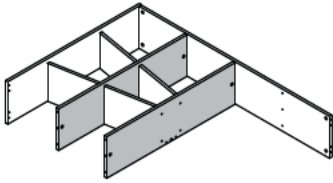
Detail 6



# STEP 17

## PARTS REQUIRED

9 SMALL BACK PANEL x1

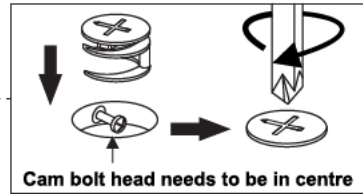
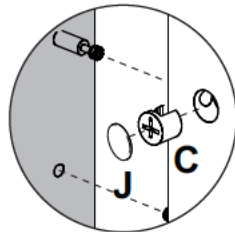
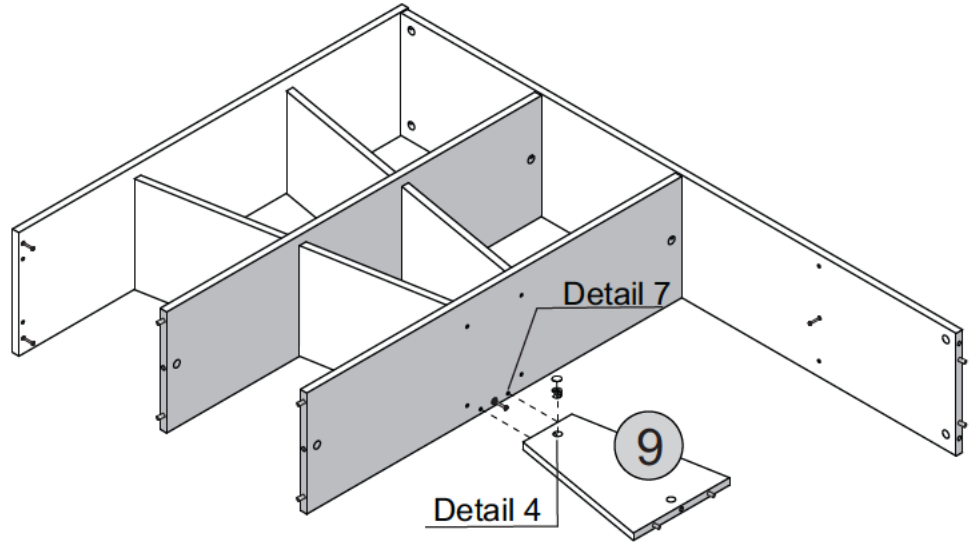


## HARDWARE REQUIRED

C  01

G  01

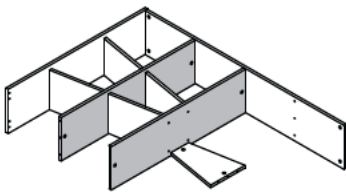
## TOOLS REQUIRED



# STEP 18

## PARTS REQUIRED

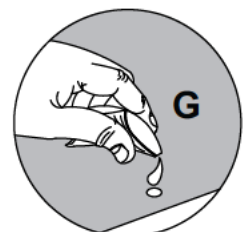
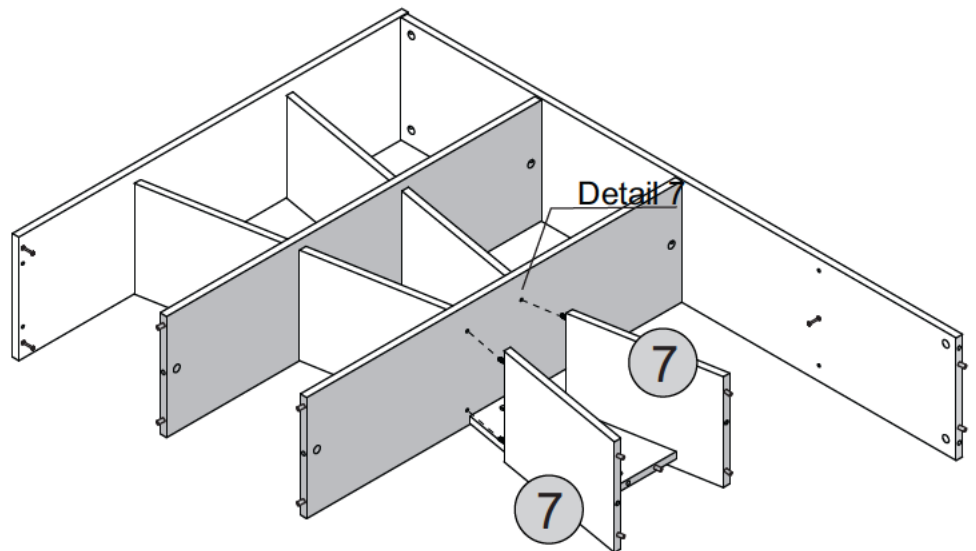
7 CENTRE PARTITION x2



## HARDWARE REQUIRED

G  01

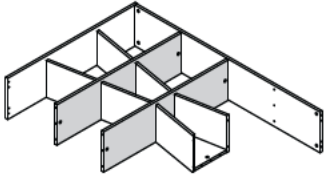
## TOOLS REQUIRED



# STEP 19

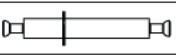
## PARTS REQUIRED

5 OUTER SHELF PANEL x1



## HARDWARE REQUIRED

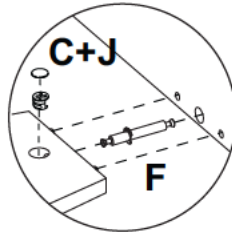
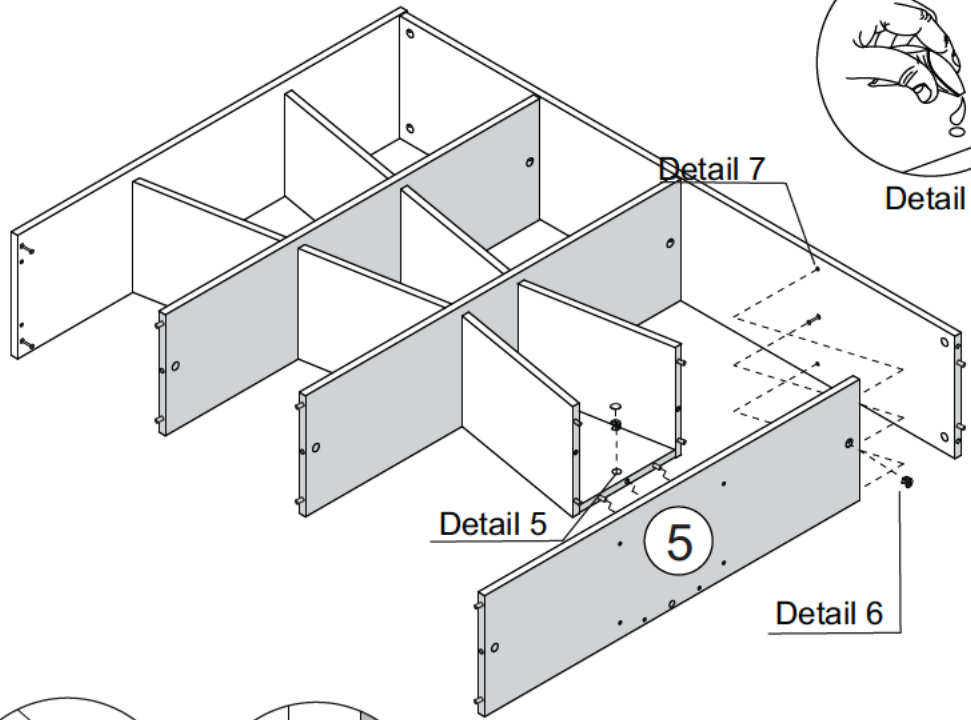
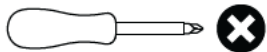
C  02

F  01

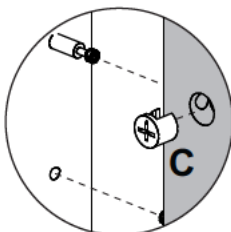
G  01

J  02

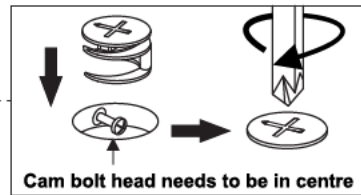
## TOOLS REQUIRED



Detail 5



Detail 6

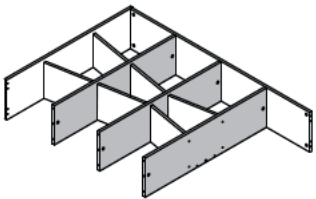


Detail 7

# STEP 20

## PARTS REQUIRED

8 LARGE BACK PANEL x2



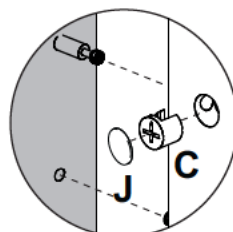
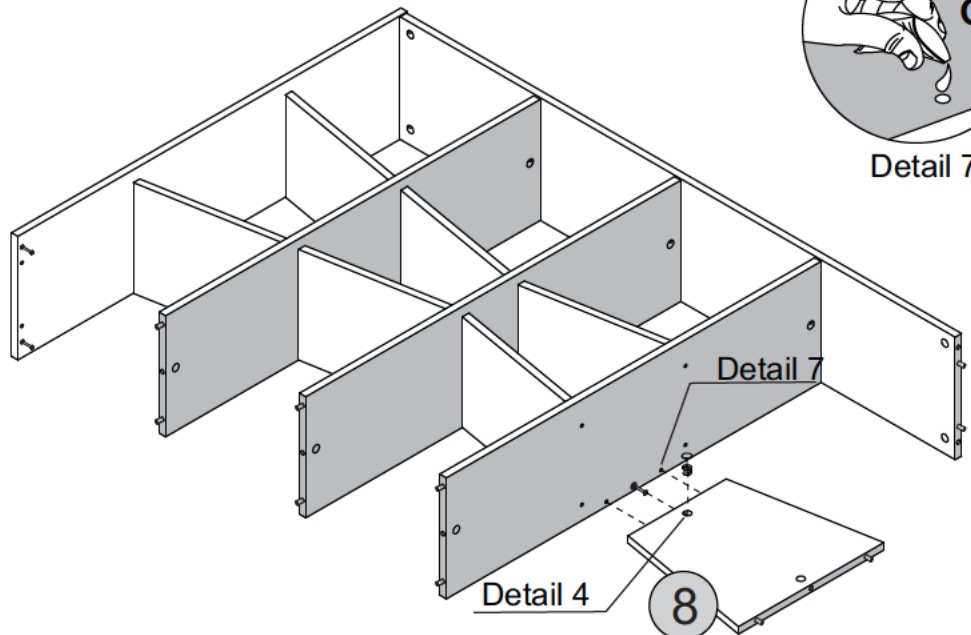
## HARDWARE REQUIRED

C  01

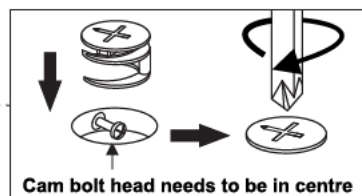
G  01

J  01

## TOOLS REQUIRED



Detail 4

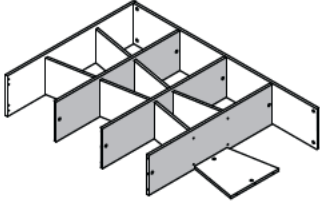


Detail 7

# STEP 21

## PARTS REQUIRED

2 SIDE PANEL x1

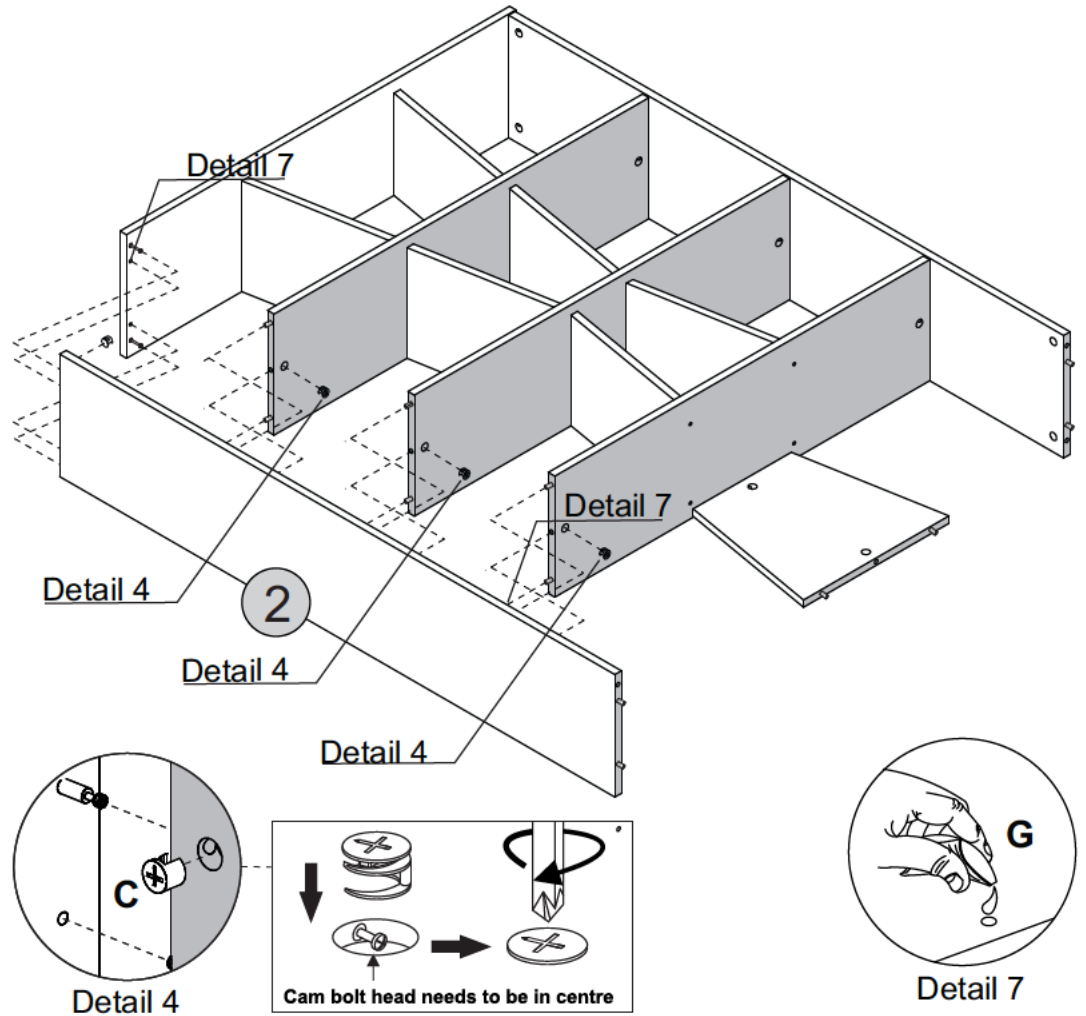
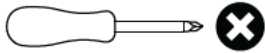


## HARDWARE REQUIRED

C  05

G  01

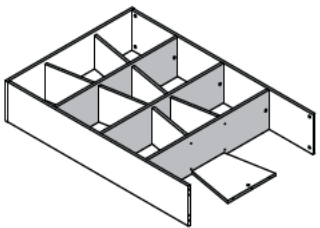
## TOOLS REQUIRED



# STEP 22

## PARTS REQUIRED

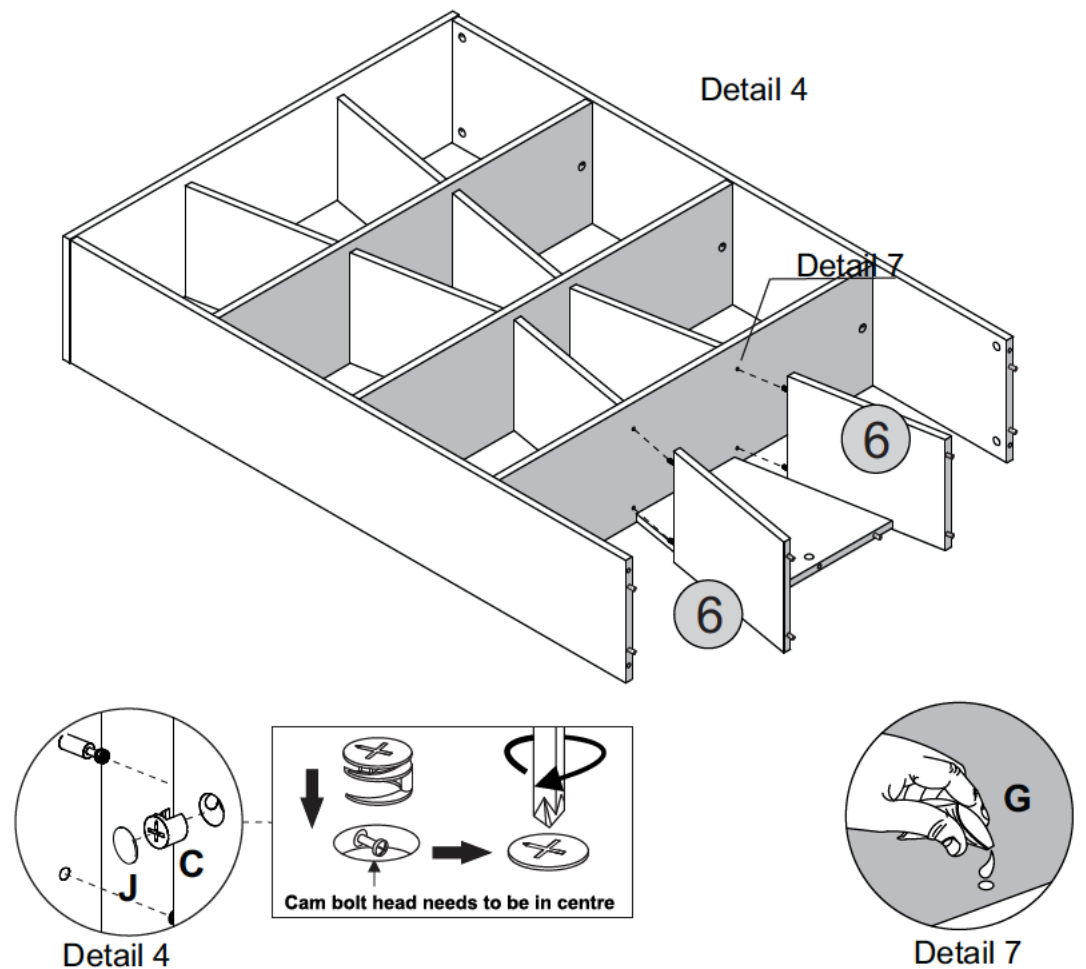
6 OUTER PARTITION x2



## HARDWARE REQUIRED

G  01

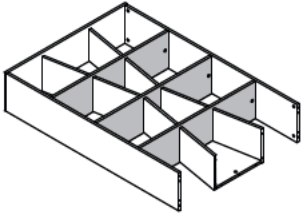
## TOOLS REQUIRED



# STEP 23

## PARTS REQUIRED

3 BASE PANEL x1

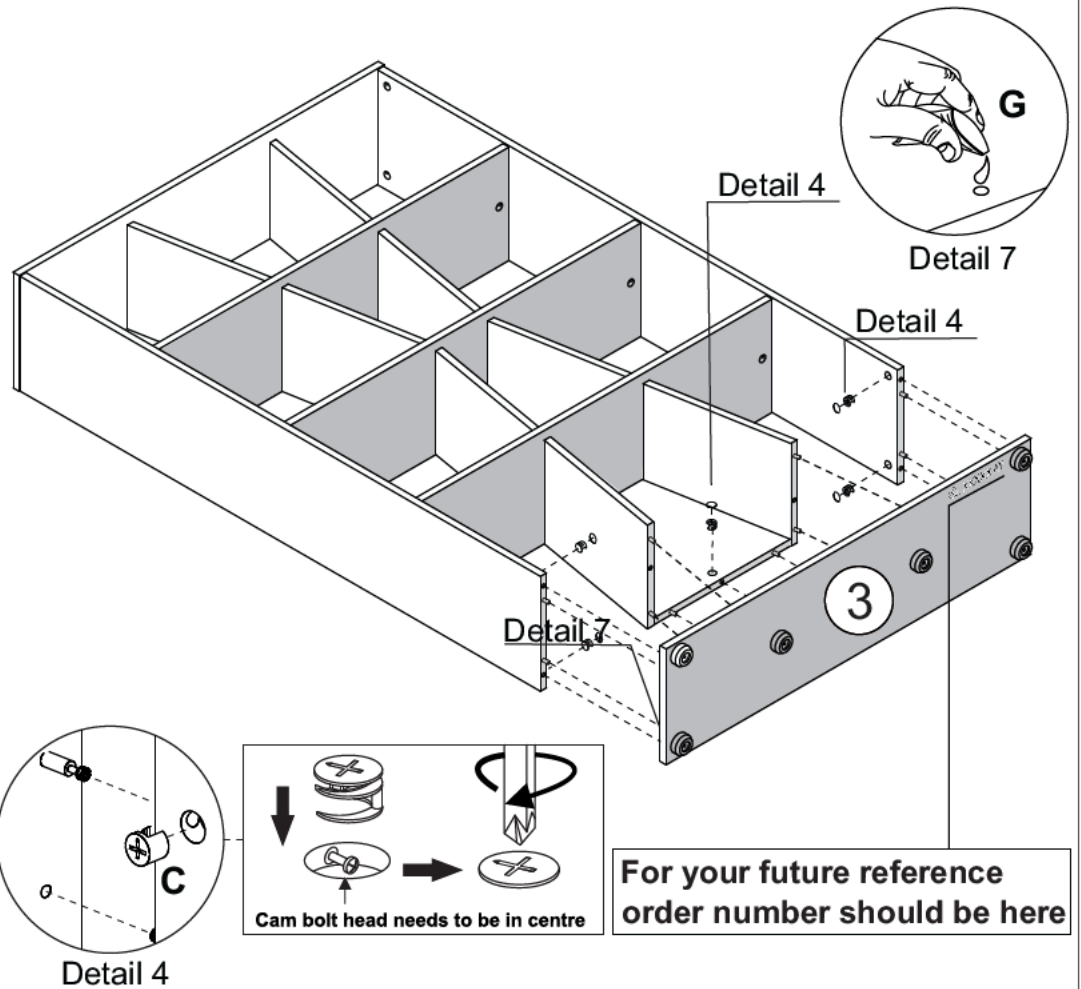


## HARDWARE REQUIRED

C  05

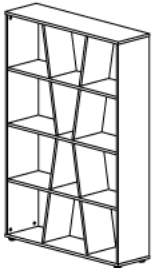
G  01

## TOOLS REQUIRED



# STEP 24

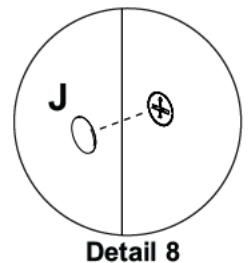
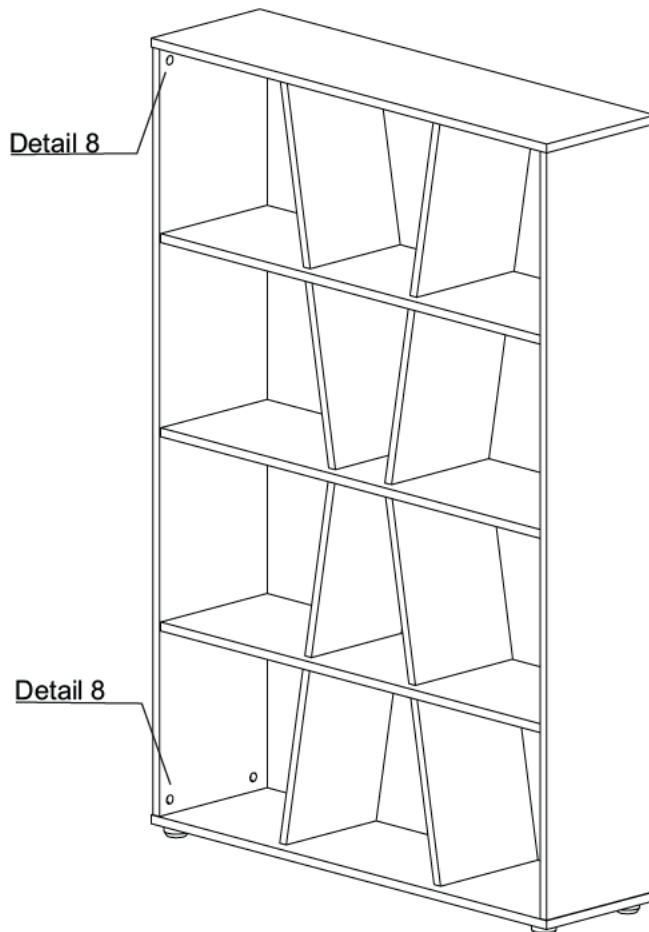
## PARTS REQUIRED



## HARDWARE REQUIRED

J  08

## TOOLS REQUIRED



# WARNING

**Serious or fatal injuries can occur from furniture tipping over. To prevent the furniture from tipping over we recommend that it is permanently fixed to the wall.**

Wall fixings are not supplied with this product as different wall materials require different types of fixing devices. Please make sure you use fixings suitable for the walls in your home.

