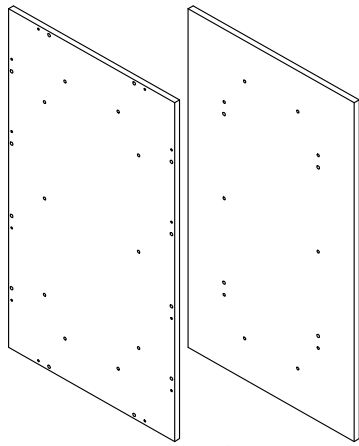
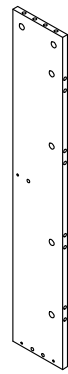


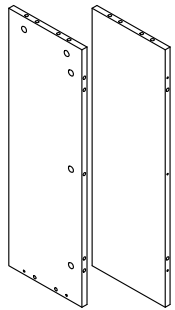
Ax1



Bx1



Cx4



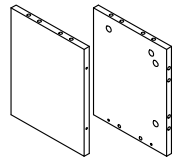
Dx2



Ex4



Fx1



Gx2



Hx62



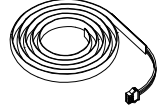
Ix60



Jx60



Kx10



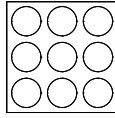
Lx1



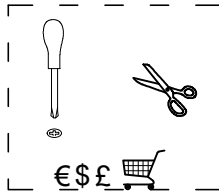
Mx1



Nx1

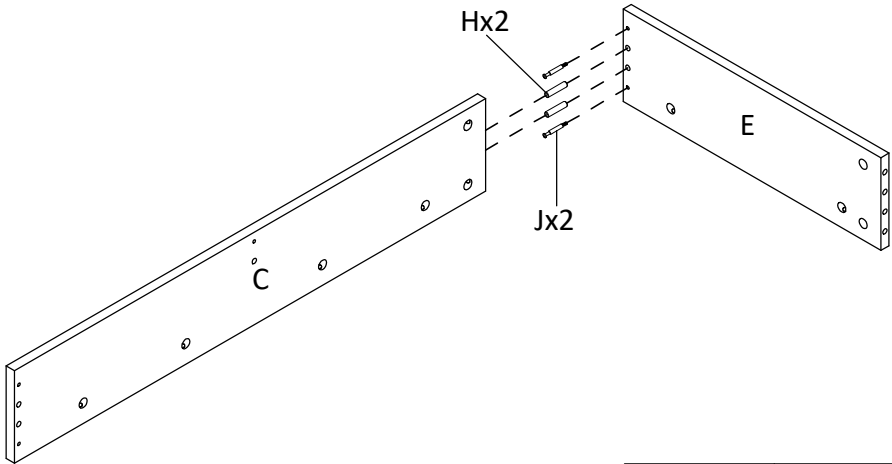


Ox8



x2

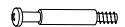
① x4

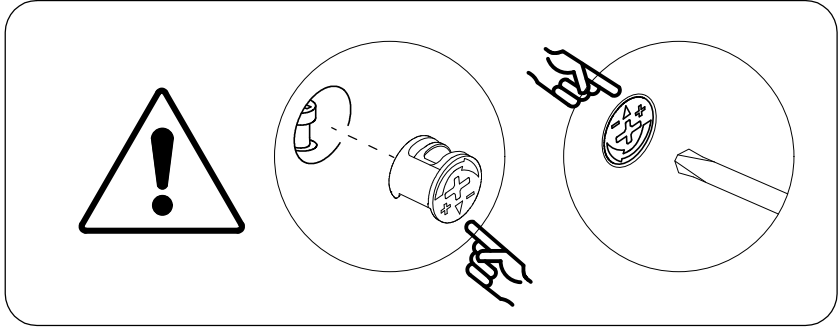


Hx8

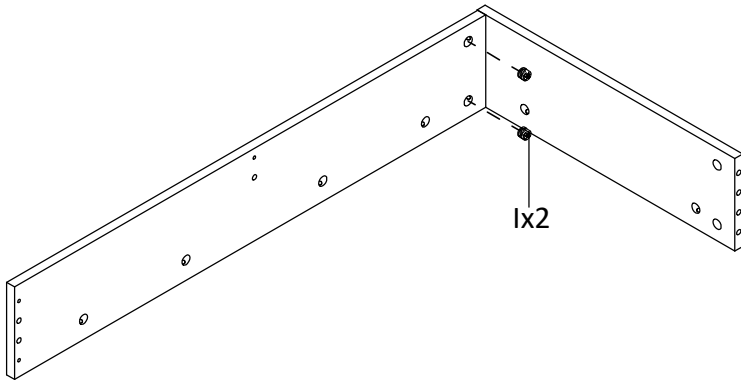


Jx8





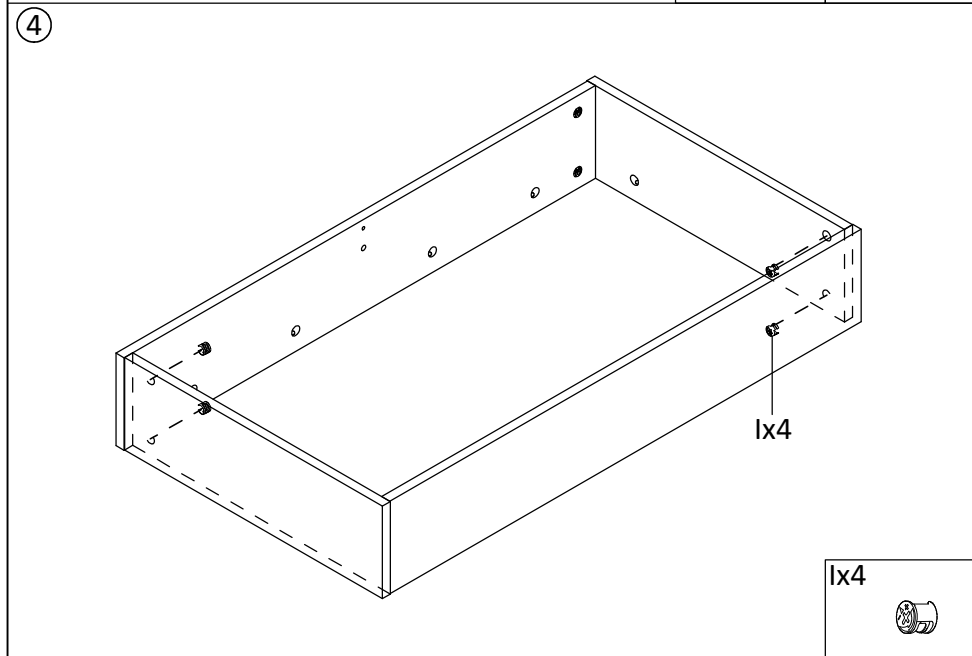
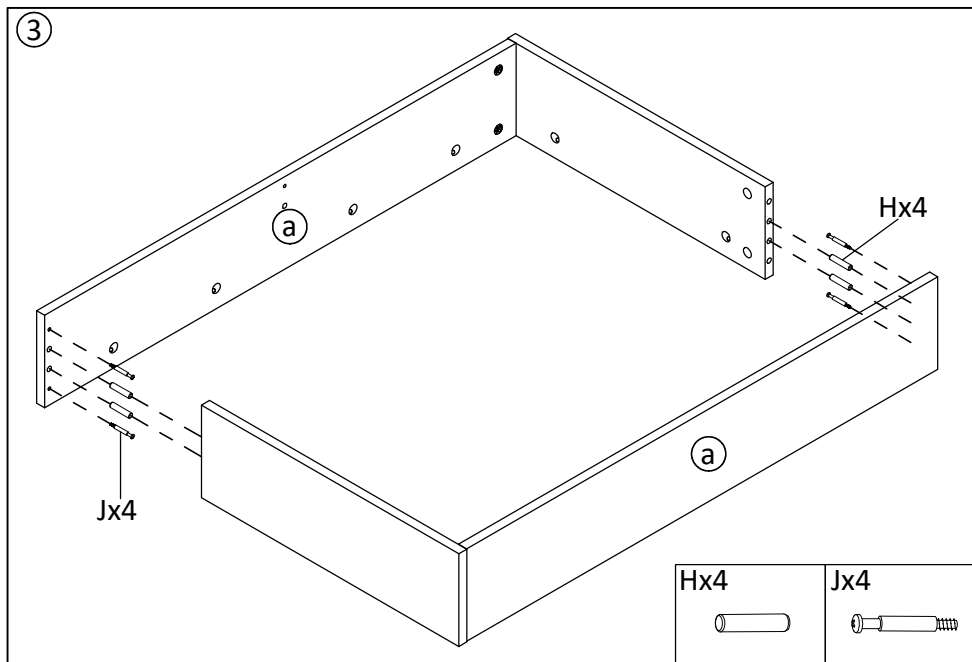
② x4



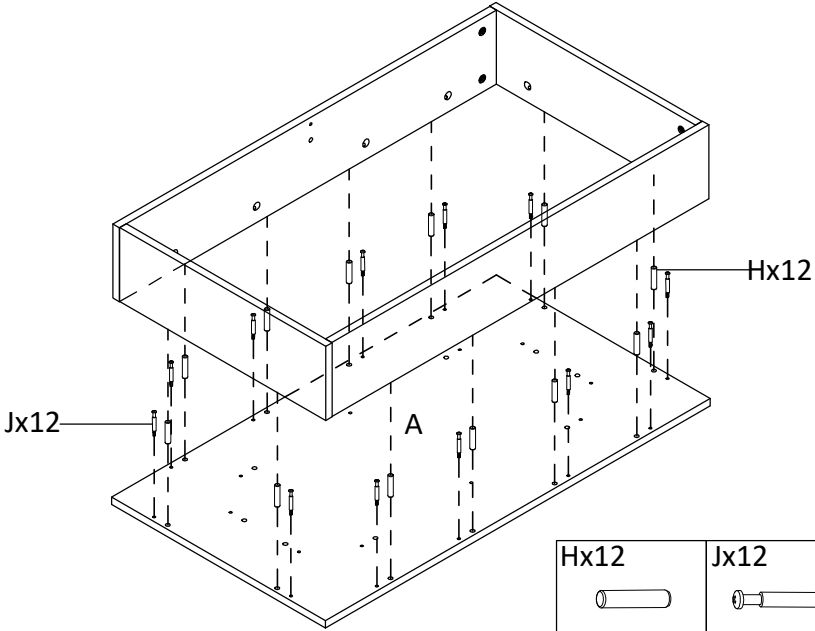
a

1x8

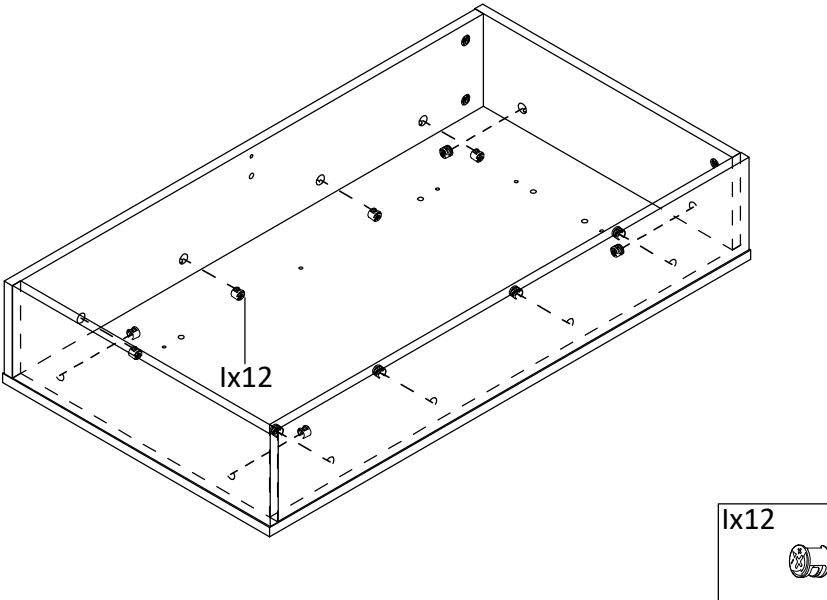




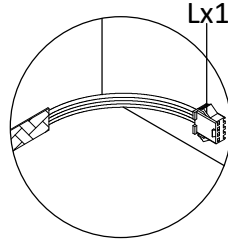
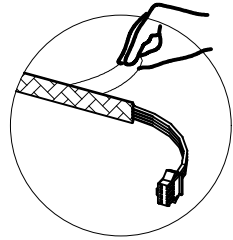
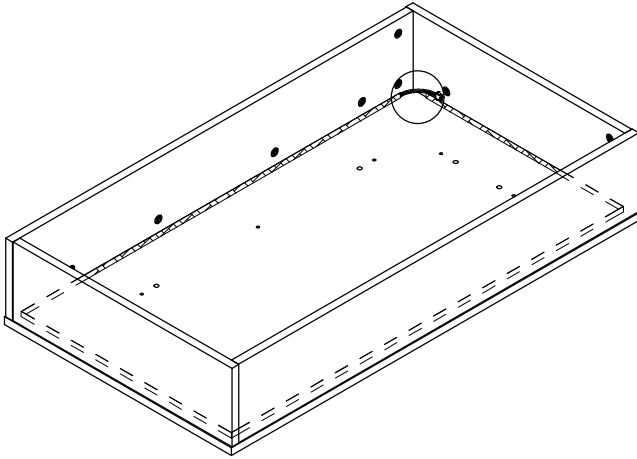
5



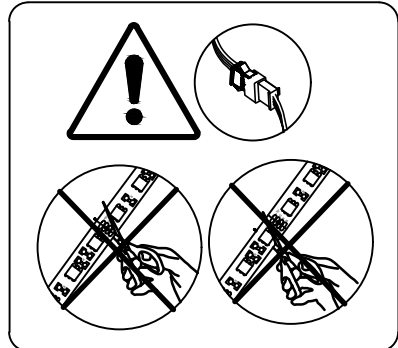
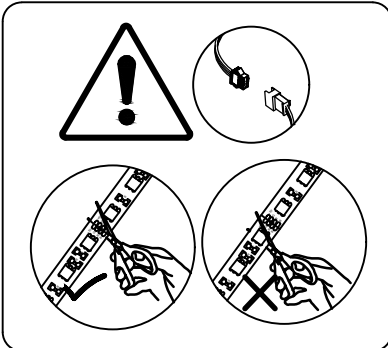
6



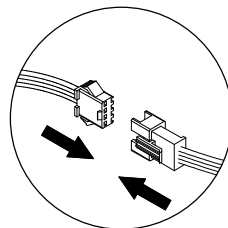
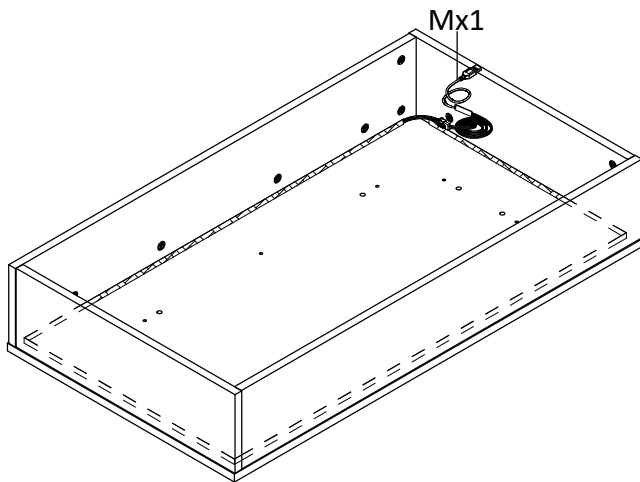
7



Lx1

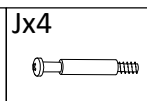
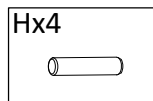
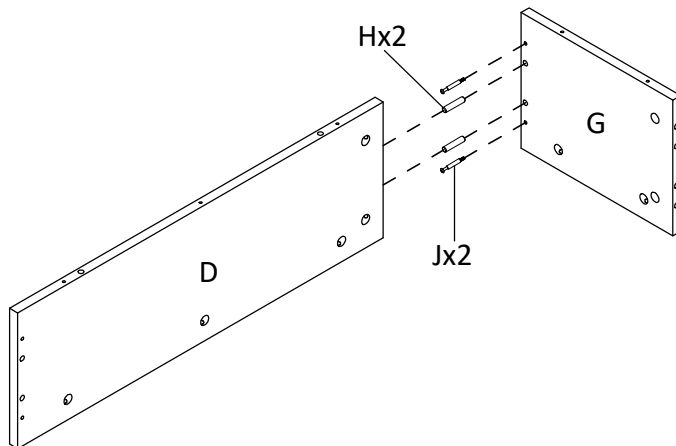


8

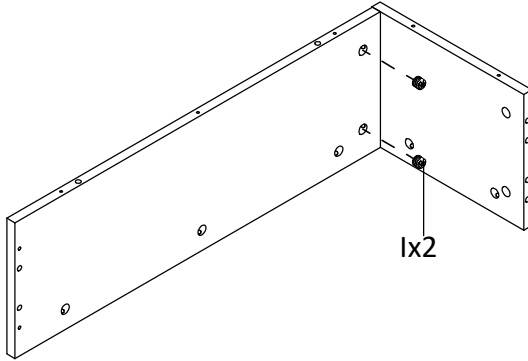


(b)

9 x2



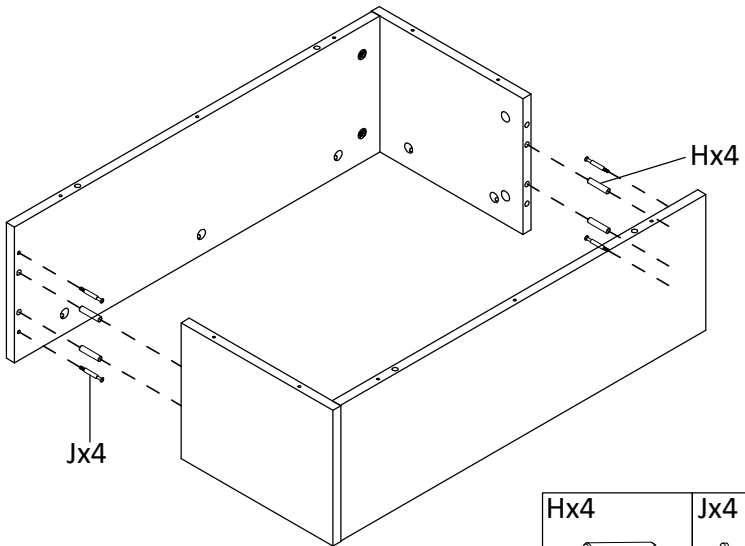
10 x2



1x4



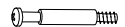
11



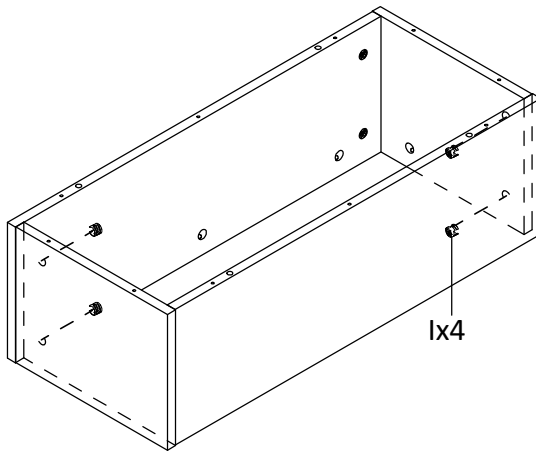
Hx4



Jx4



12

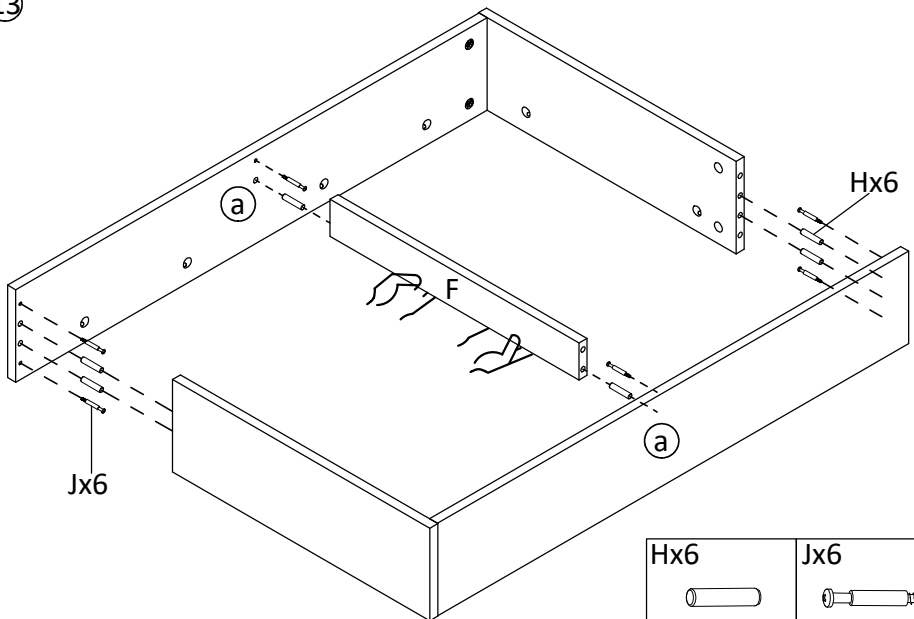


(c)

lx4



13



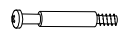
Jx6

Hx6

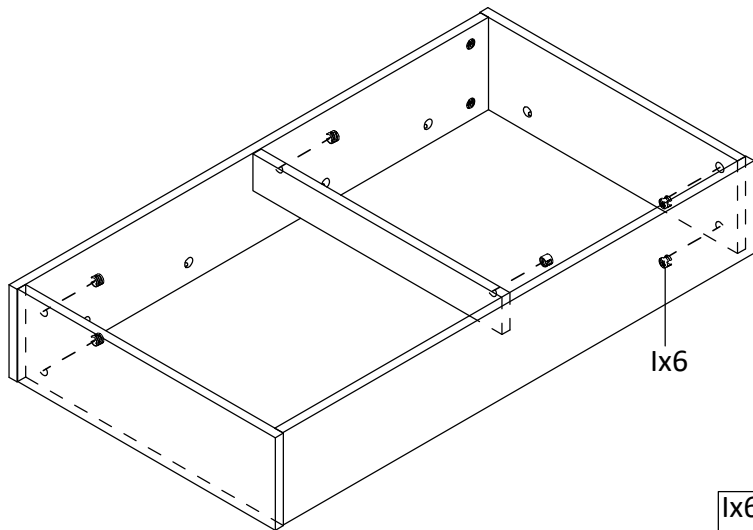
Hx6



Jx6



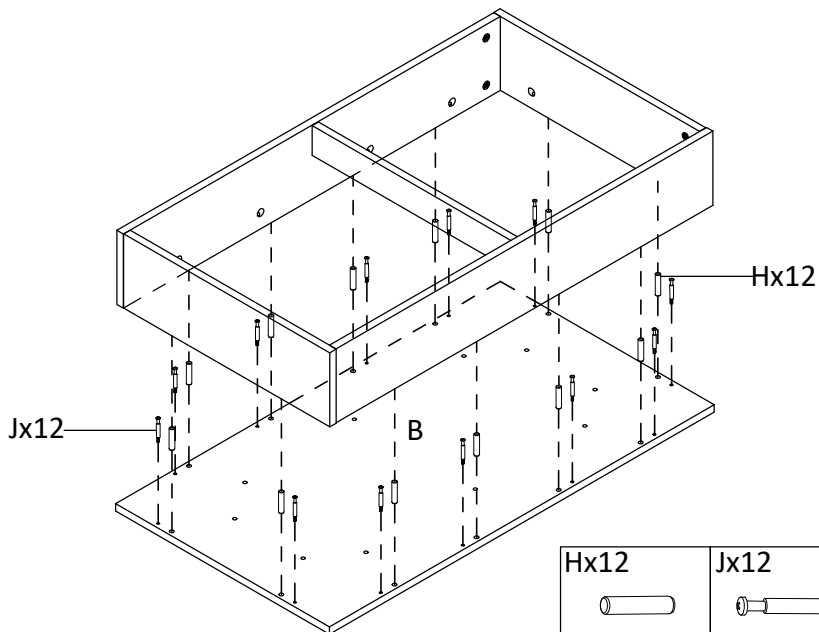
14



Ix6



15



Hx12

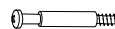
Jx12

B

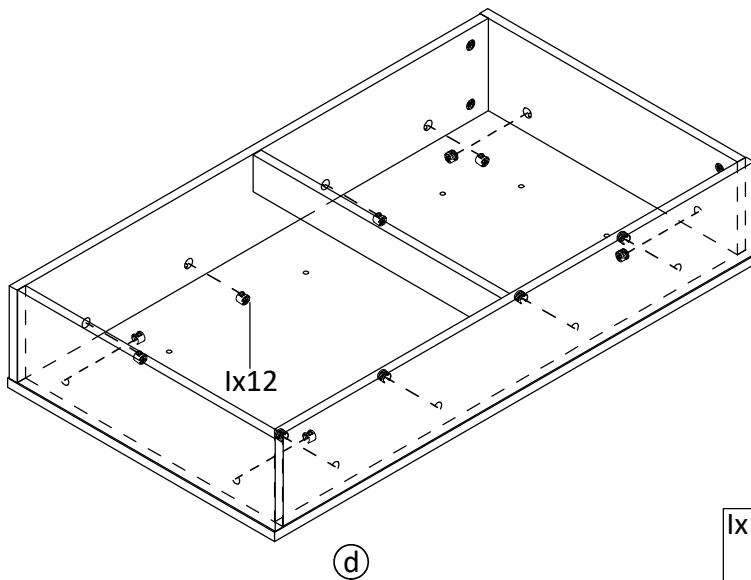
Hx12



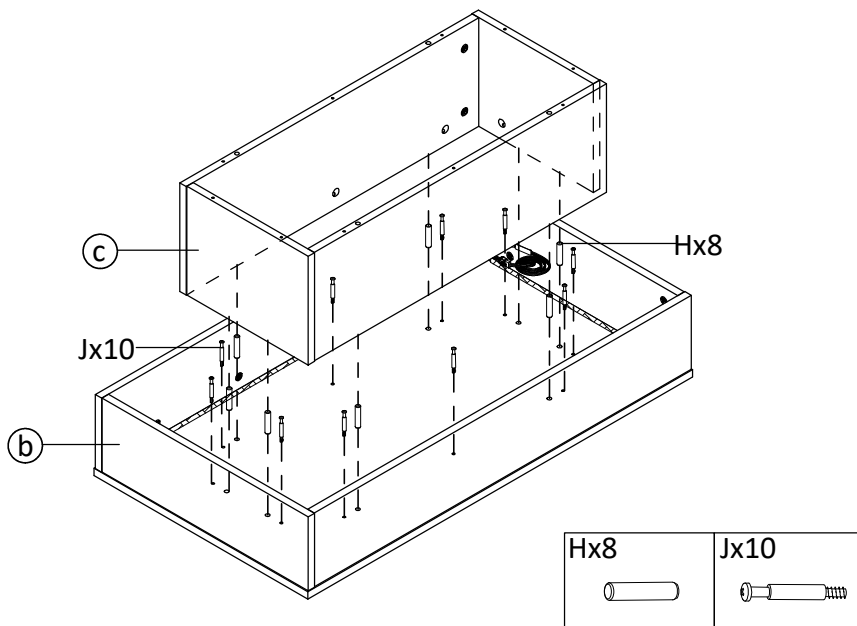
Jx12



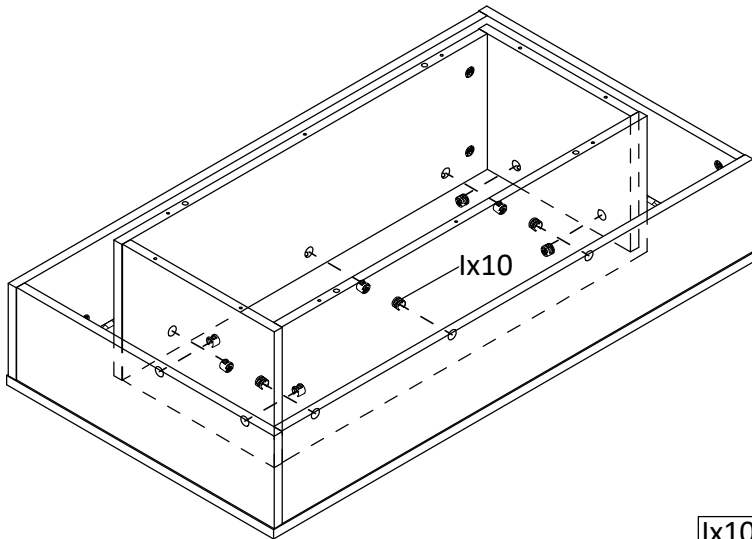
16



17



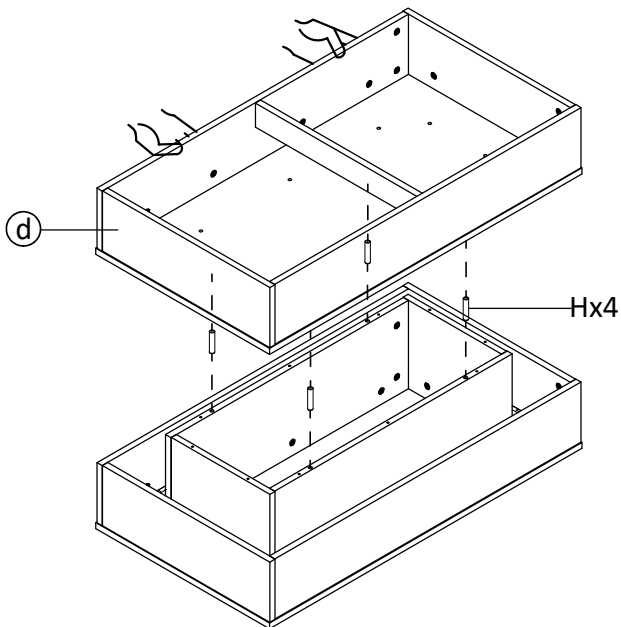
18



lx10



19

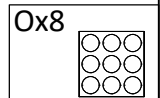
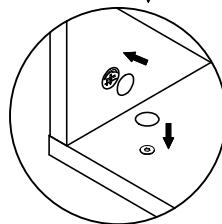
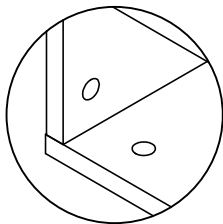
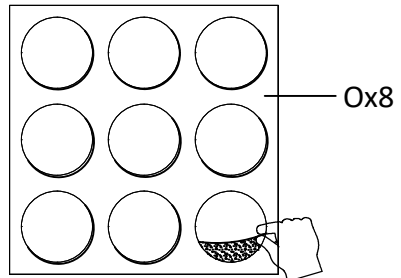
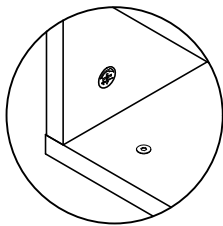
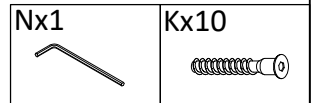
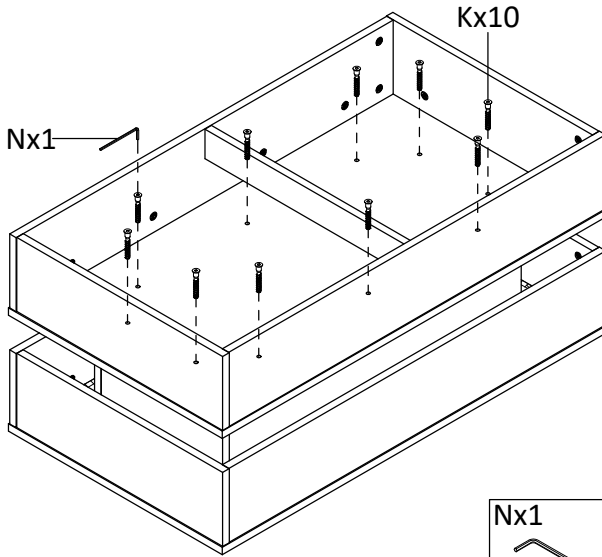


Hx4

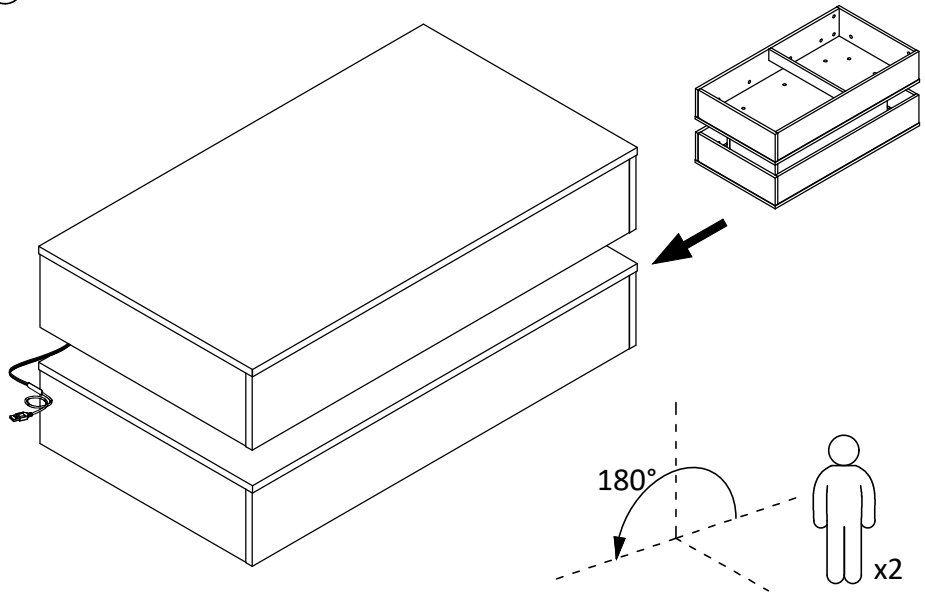
Hx4



20



21



22

