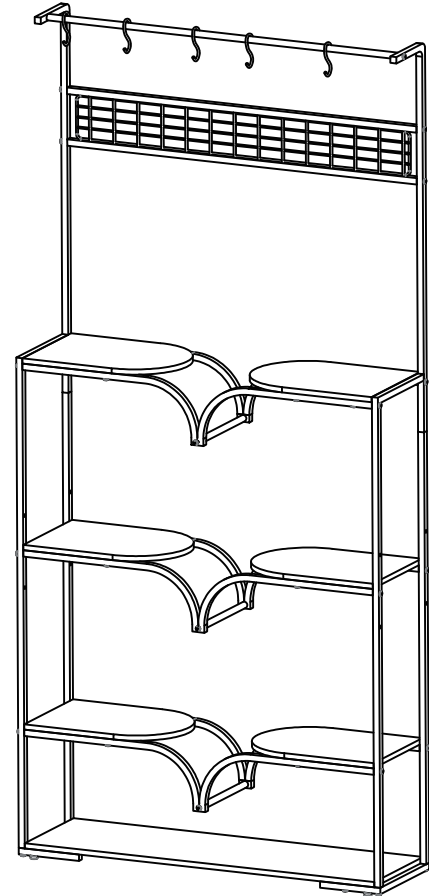


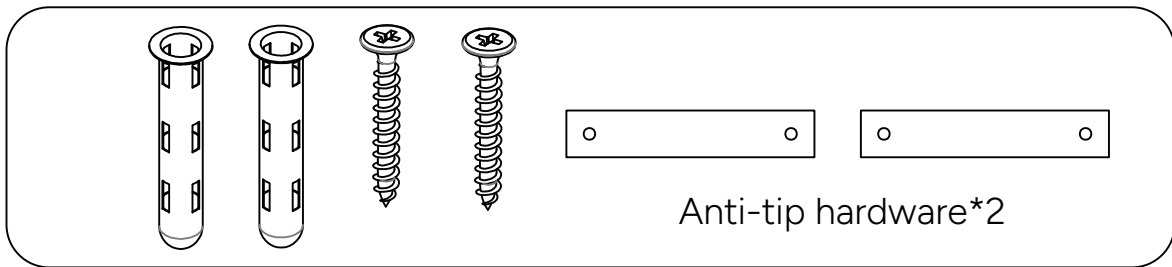
# Plant Stand Indoor with Grow Lights

## Assemble Instructions



# Accessory List.....

1#	4PC	2#	28PC	3#	30PC	Hook*5		Foot pad*4	
Large wrench*1		4#	6PCS	Cable zip ties*15		3M*3		Plant growth lamp*1	



(A) X2



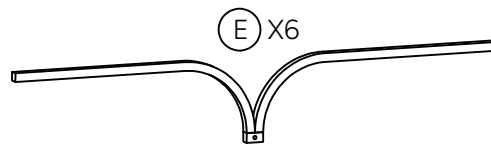
(B) X2



(C) X2



(E) X6



Long round rod\*1



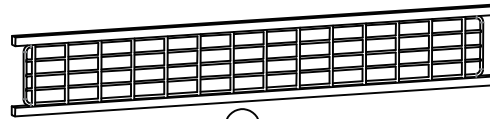
(D) X2



Short round rod\*3



(F) X1



(2) X6



(1)



# STEP 1



1#

4PC

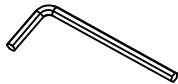


3#

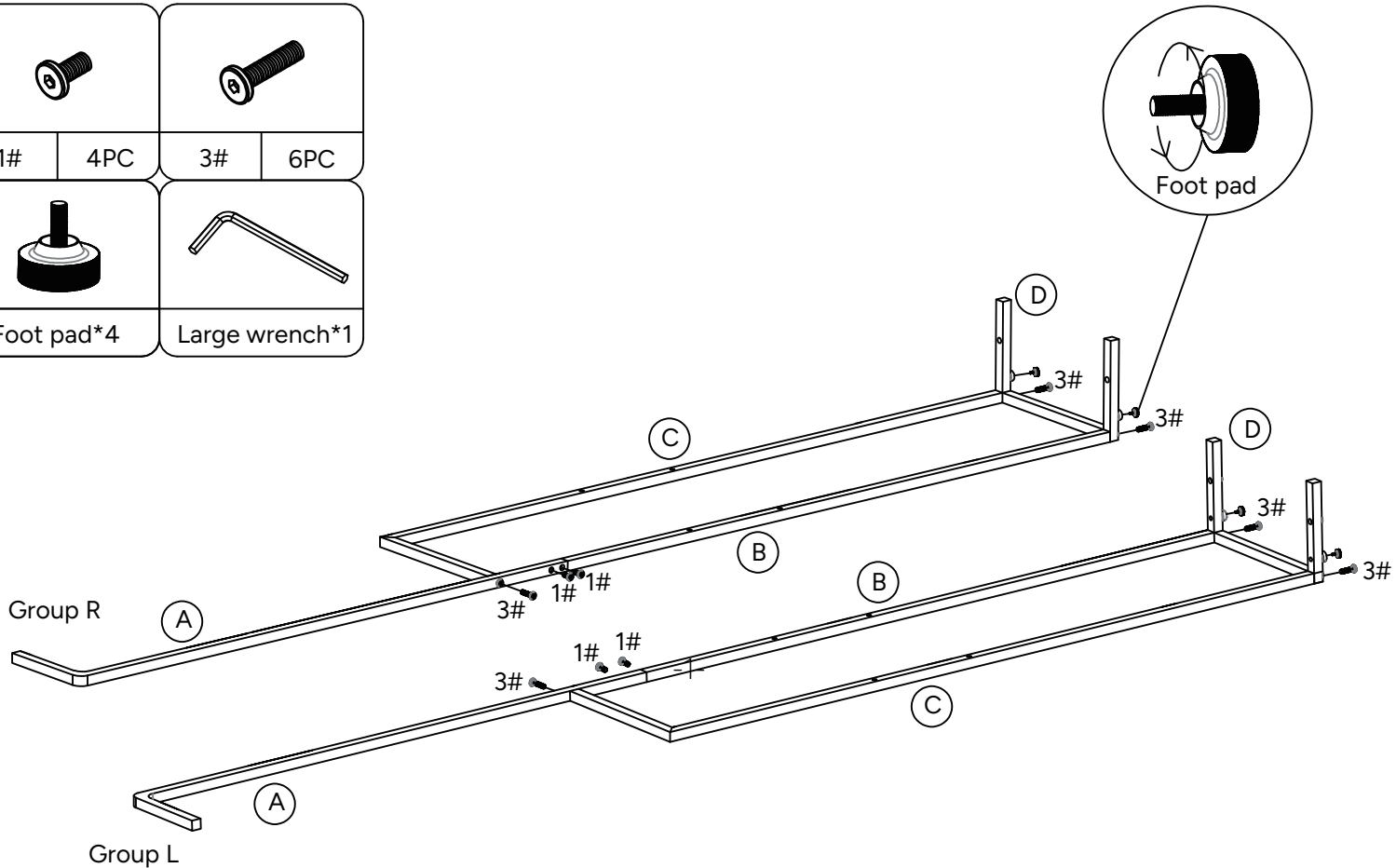
6PC




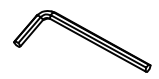
Foot pad\*4

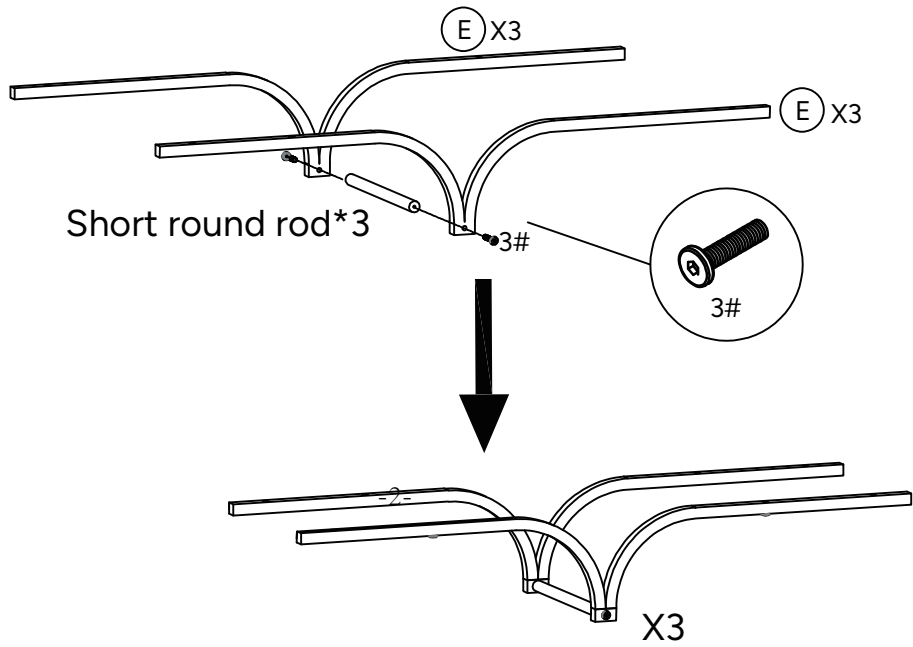


Large wrench\*1



# STEP 2

	
3#	6PC
Large wrench*1	

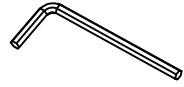


# STEP 3

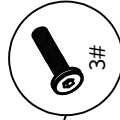


3#

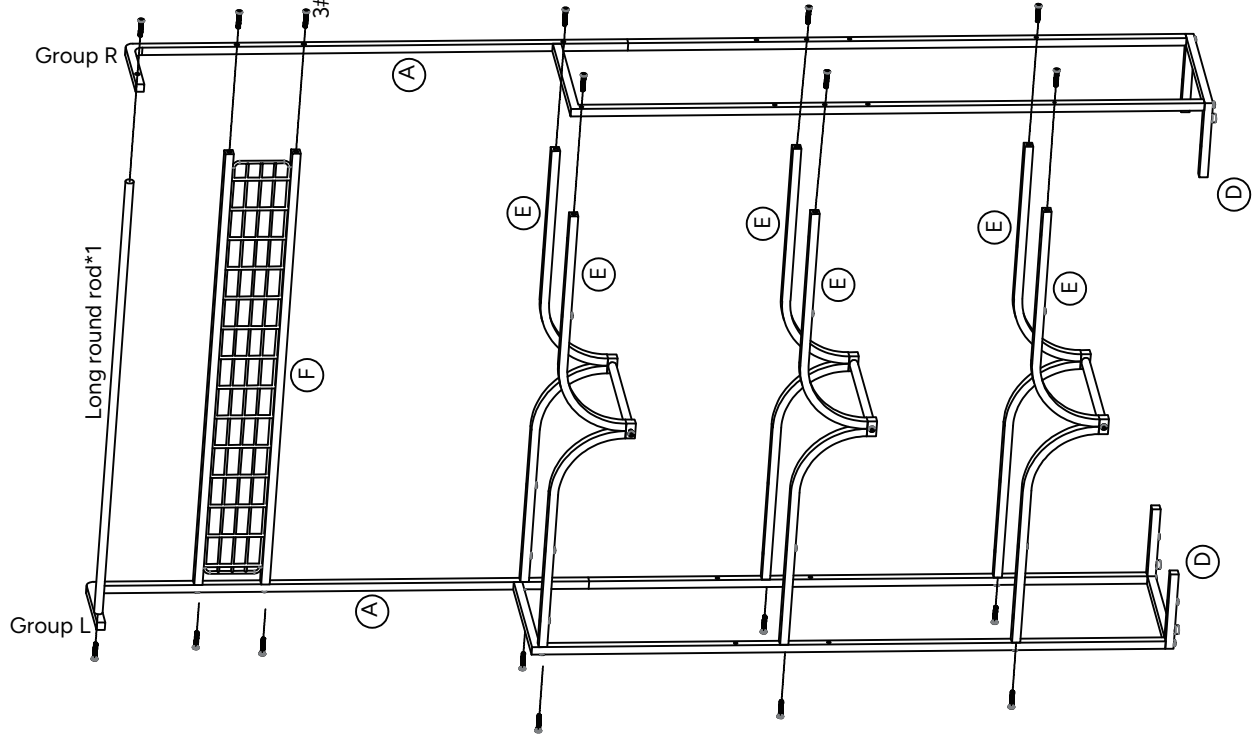
18PC



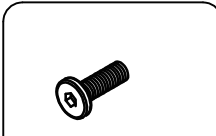
Large wrench\*1



3#

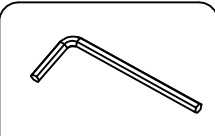


# STEP 4

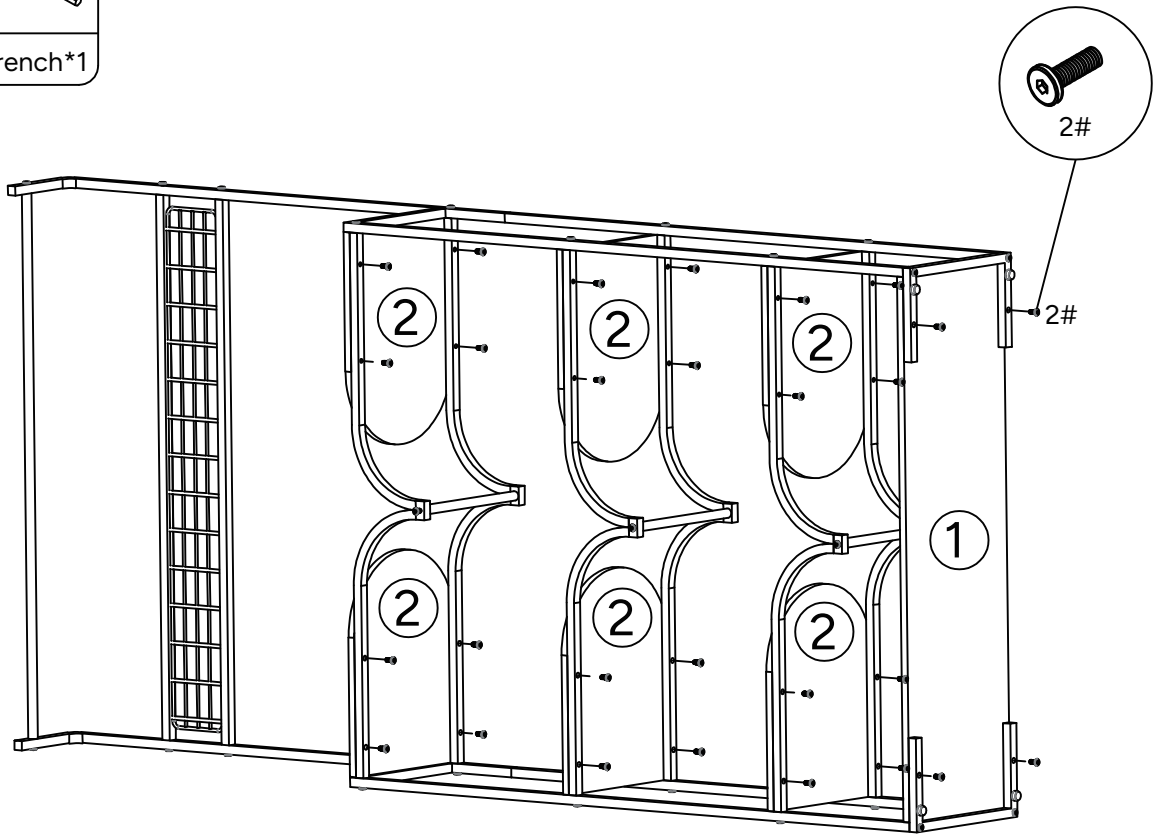


2#

28PC



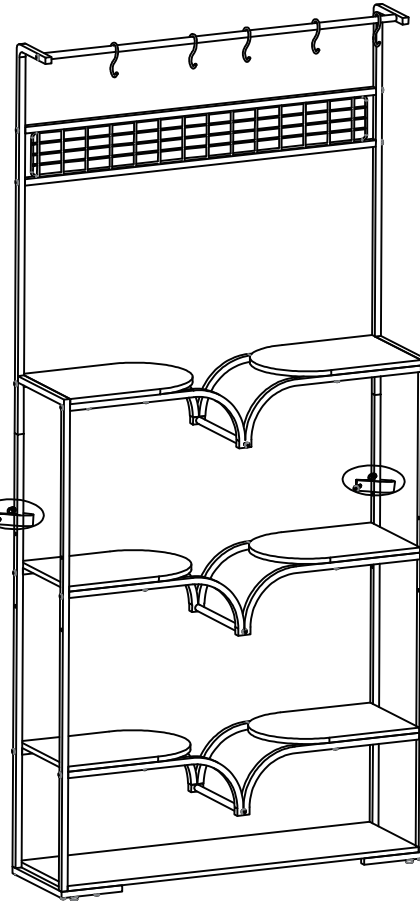
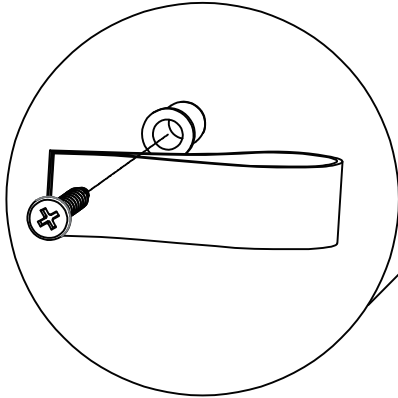
Large wrench\*1



# STEP 5

2

Hook\*5



# STEP 6

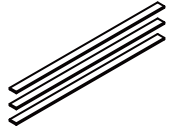


4#

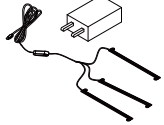
6PCS



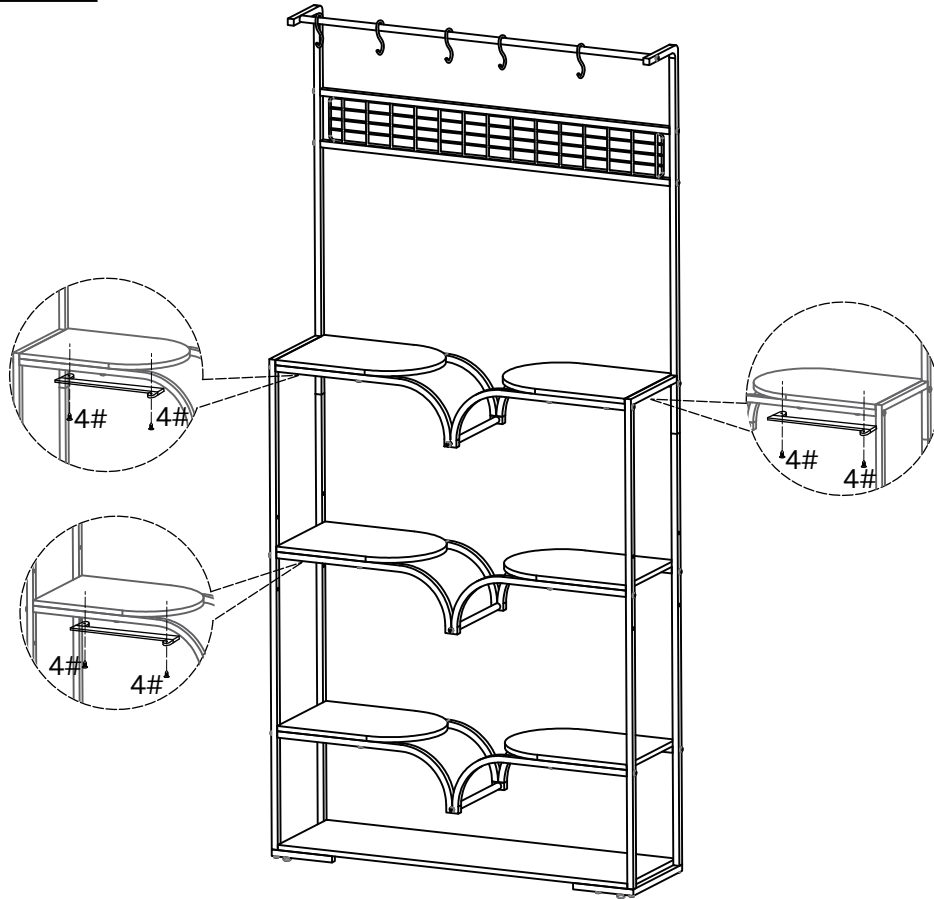
Cable zip ties\*15



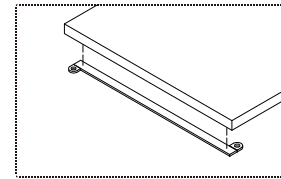
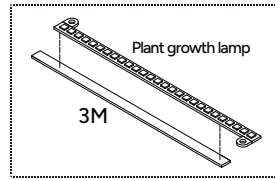
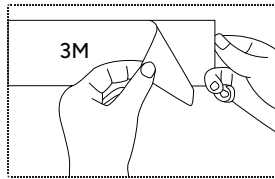
3M\*3



Plant growth lamp\*1



Method 1



Method 2

