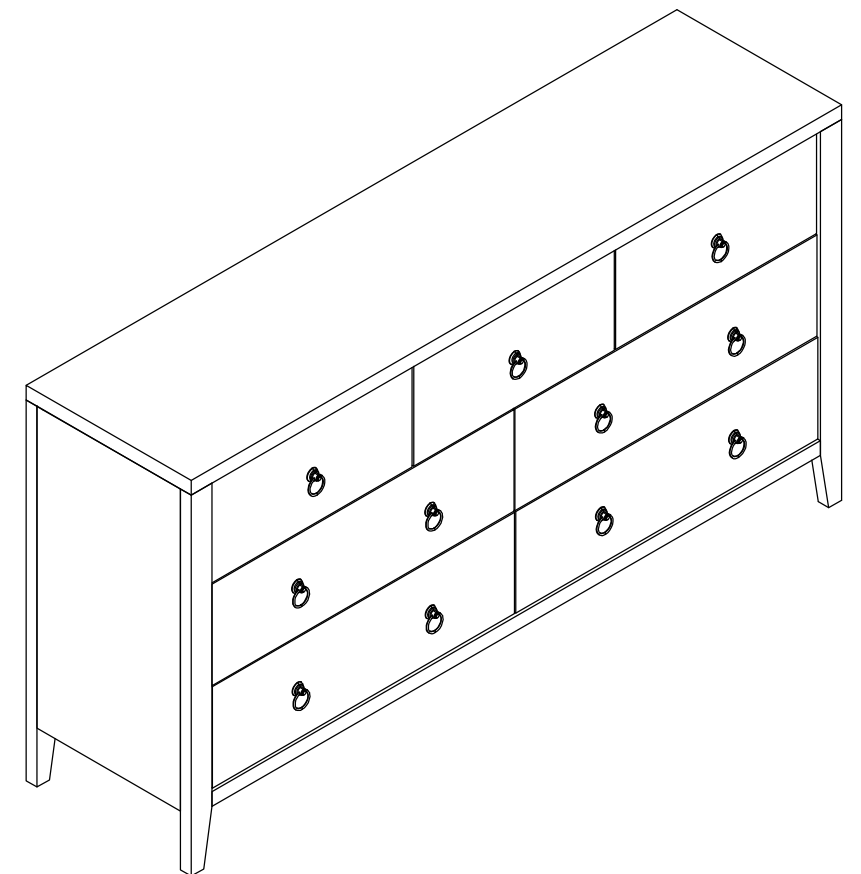


Bedroom Cabinet

Assembly Instruction - Please keep properly for future reference.

If you find any missing boxes, damaged parts, or accessory shortages, please contact the customer service team of your purchasing channel immediately. We will resolve the issue as quickly as possible.



THE FOLLOWING INFORMATION:

- Order number
- Purchase platform
- Purchase date
- Detailed description of the issue along with photos (if applicable)

Important – Please read these instructions carefully before starting the installation.

Before Assembly



Thank you for choosing our product!

To ensure a smooth installation process, please read this guide carefully to familiarize yourself with the required tools, materials, and installation steps. Follow the relevant sections to avoid any damage caused by improper installation, and make sure to review all operation and safety guidelines for correct installation procedures.

Packaging Notice:

If you find any missing boxes, damaged parts, or accessory shortages, please contact the customer service team of your purchasing channel immediately. We will resolve the issue as quickly as possible.

Safety and Care Advice



Important :

Please read these instructions fully before starting assembly.

- Check you have all the components and tools listed on the following pages.
- Remove all fittings from the plastic bags and separate them into their groups.
- Keep children and animals away from the work area, small parts could choke if swallowed.
- Make sure you have enough space to layout the parts before starting.
- During assembly do not stand or put weight on the product, this could cause damage.
- Assemble the item as close to its final position (in the same room) as possible.
- Assemble on a soft level surface to avoid damaging the unit or your floor.
- Parts of the assembly will be easier with 2 people.



- To reduce the likelihood of damaging your product please ensure that your power drill is set on a low torque setting.

Care and maintenance

- Only clean using a damp cloth and mild detergent, do not use bleach or abrasive cleaners.
- From time to time check that there are no loose screws on this unit.
- This product should not be discarded with household waste. Take to your local authority waste disposal center.

Handy Hints

- Assemble all parts and bolts loosely during assembly, only once the product is complete should you fully tighten the bolts.
- Regularly check and ensure that all bolts and fittings are tightened properly.

Warning

In order to help prevent overturning, please follow these instructions.

- Use the anti tip strap or wall fixing method provided (if applicable).
- Do not allow children to climb or hang on the furniture.
- Do not open more than one drawer at a time.
- Do not place heavy items in the top drawers.
- Do not place heavy items on top of the furniture, unless the furniture has been designed for this purpose.
- Please note that only the anti tip strap is provided. You will need to provide wall plugs and screws applicable for your wall type.

Customer Service Guide



Thank you for choosing our product! We are committed to providing you with excellent service. If you find any missing parts, damaged packaging, or product damage after receiving all packages, please follow the steps below to quickly contact our customer service team. We will do our best to resolve your issue.

1. Missing Parts

Verify Parts:

1. Refer to the “Parts List” in the manual to verify the name, specifications, and quantity of the missing parts.
2. Take a clear photo of the parts list and mark the missing parts with detailed information, e.g., “Missing 5 pieces of M6×30mm screws.”

Contact Us:

- A description of the missing parts and a photo of the parts list.
- Order details (order number, purchase platform, purchase date).

2. Product or Packaging Damage

If it affects normal use:

Steps:

1. Take clear photos or videos showing the damaged parts and the extent of the damage (multi-angle shots are recommended).
2. Email the photos/videos along with order details with the subject line “Product Damage Issue.”

Resolution:

After verification, we will arrange for a replacement part, product exchange, or refund as quickly as possible.

If it does not affect normal use:

Steps:

1. Contact our customer service team.
2. Provide a description of the damage and include relevant photos or videos.

Resolution:

We will provide repair guidance or an appropriate compensation plan based on the specific situation.

Helpful Tips

To process your issue efficiently, please prepare the following information:

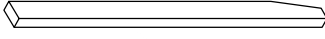
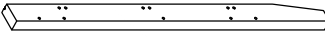
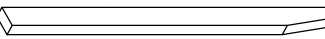
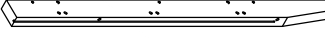
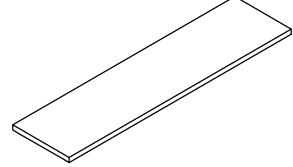

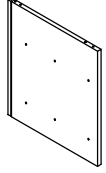
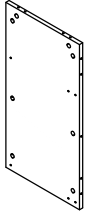
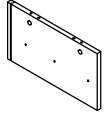
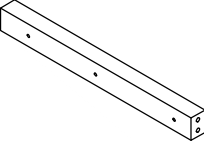
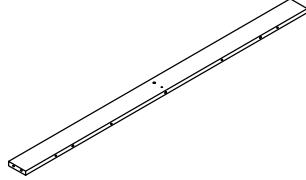
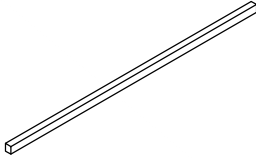
- Order details (order number, purchase platform, purchase date).
- Clear photos or videos.
- We are committed to providing quick and professional solutions, no matter the size of the issue, to ensure your satisfaction.

Thank you for your trust and support!
We hope you enjoy using our product!

Parts List



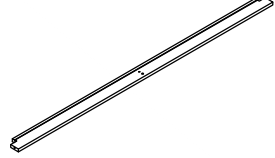
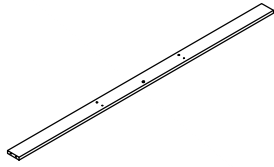
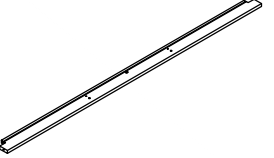
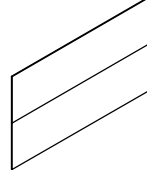
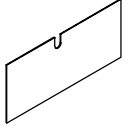
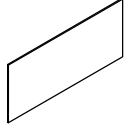

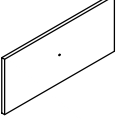
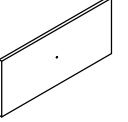
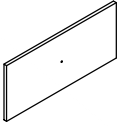
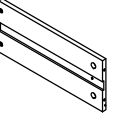
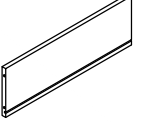
Please check you have all the panels listed below.

		
1 784x50x25mm x1	2 784x50x25mm x1	3 784x50x25mm x1
		
4 784x50x25mm x1	5 1540x390x30mm x1	6 663x340x15mm x1
		
7 414x373x15mm x1	8 663x340x15mm x1	9 373x204x15mm x2
		
10 340x35x25mm x6	11 1507x70x15mm x1	12 1440x30x25mm x1

Parts List



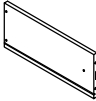
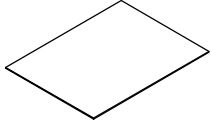
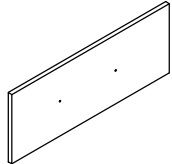
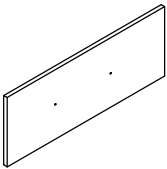
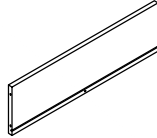
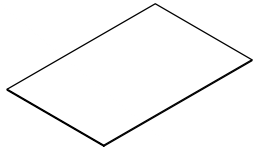
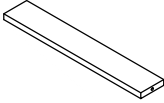
Please check you have all the panels listed below.

		
13 1507x70x15mm x1	14 1507x70x15mm x1	15 1507x70x15mm x1
		
16 720x422x3mm x2	17 477x212x3mm x2	18 477x212x3mm x1
		
19 140mm x1	20 475x205x15mm x1	21 475x205x15mm x1
		
22 475x205x15mm x1	23 340x145x12mm x7	24 432x145x12mm x3

Parts List



Please check you have all the panels listed below.

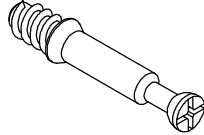
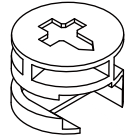
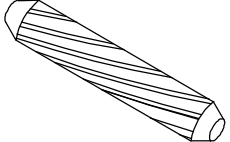
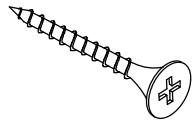

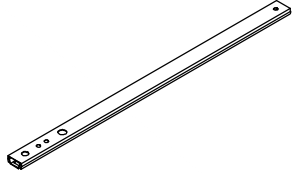
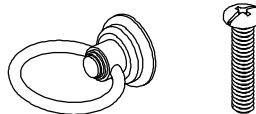

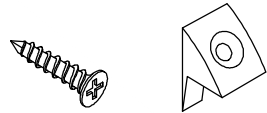
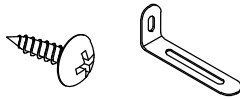
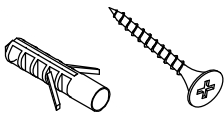
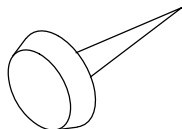
		
25 340x145x12mm x7	26 439x335x3mm x3	27 715x205x15mm x2
		
28 715x205x15mm x2	29 675x145x12mm x4	30 681x335x3mm x4
		
31 328x55x12mm x4		


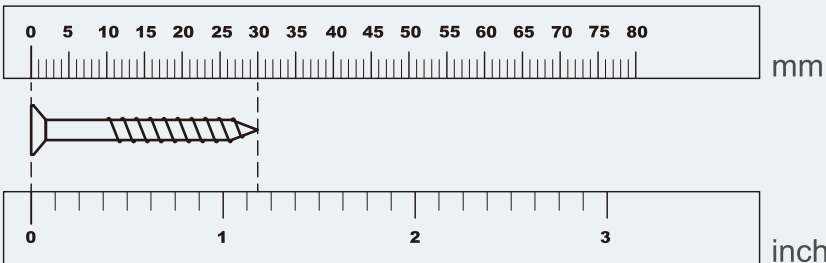
Parts List - Fittings



Please check you have all the fittings listed below.

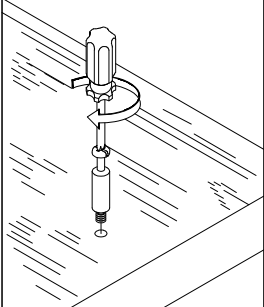
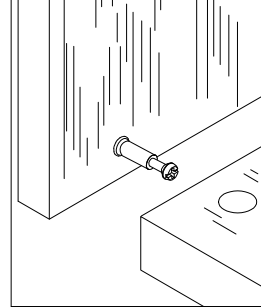
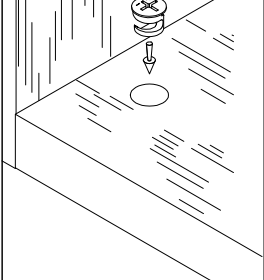
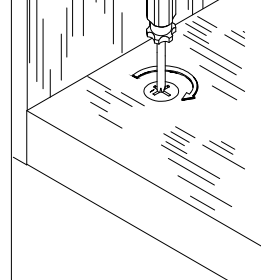
Note: The quantities below are the correct amount to complete the assembly. In some cases more fittings may be supplied are required.

		
A x68	B x68	C \varnothing 6x30mm x55
		
D \varnothing 4x35mm x40	E \varnothing 3x12mm x42	F x14
		
G \varnothing 4x16mm x11	H \varnothing 4x10mm x14	J \varnothing 3x14mm x20
		
K \varnothing 4x12mm x2	L \varnothing 4x40mm x2	M x4

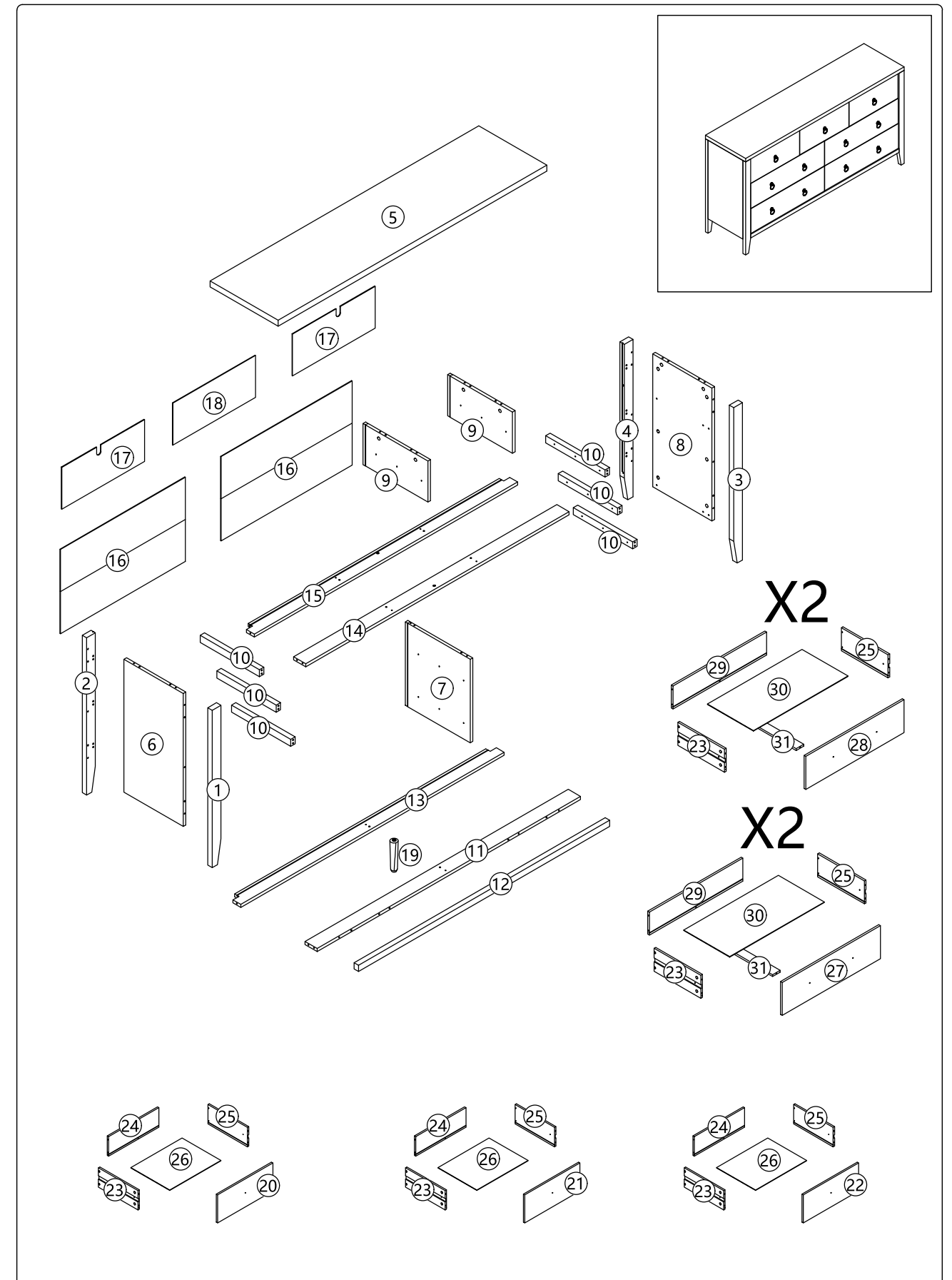
Tools required	 Phillips screwdriver (medium & large)
Ruler Use this ruler to help correctly identify the screws	 The screws length is measured from the head to the point (30mm screw shown).





Using Camlocks

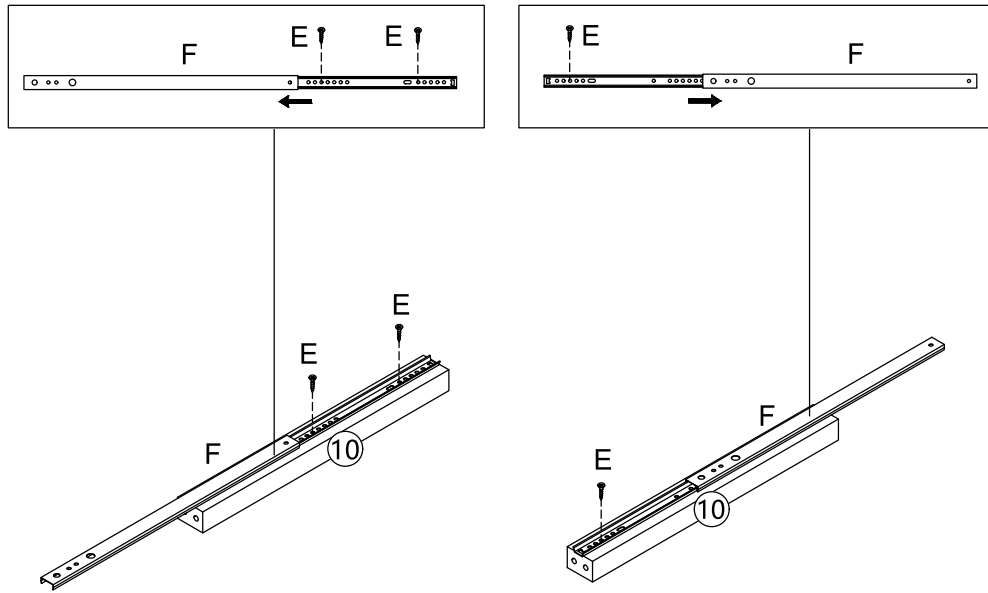
Step 1 Connect the male camlock as directed in the assembly instructions using a screwdriver.	1 DO NOT OVER TIGHTEN. NE PAS SERRER EXCESSIVEMENT. 	Step 2 Push the male camlock into the entry hole.	2 
Step 3 Insert the female camlock as shown in the instruction. Note: ensure that the arrow on the top of the camlock points towards the entry hole for the male camlock.	3 	Step 4 Turn the female camlock clockwise with a screwdriver. You should feel a click when the camlock is locked in place. The joint is now secure.	4 

Assembly Instructions

Step 1

- E**  x18
- F**  x6

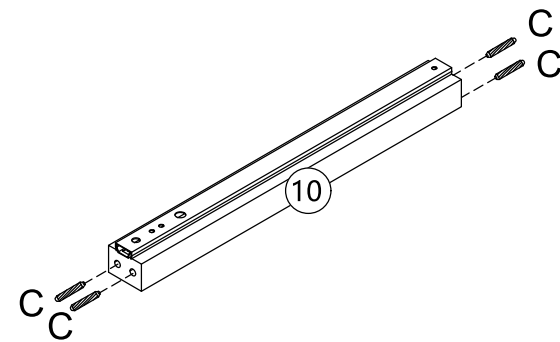


X6

Place rail (F) onto part (#10) and secure it with screws (E). Repeat the same procedure for six additional sets.

Step 2

- C**  x24

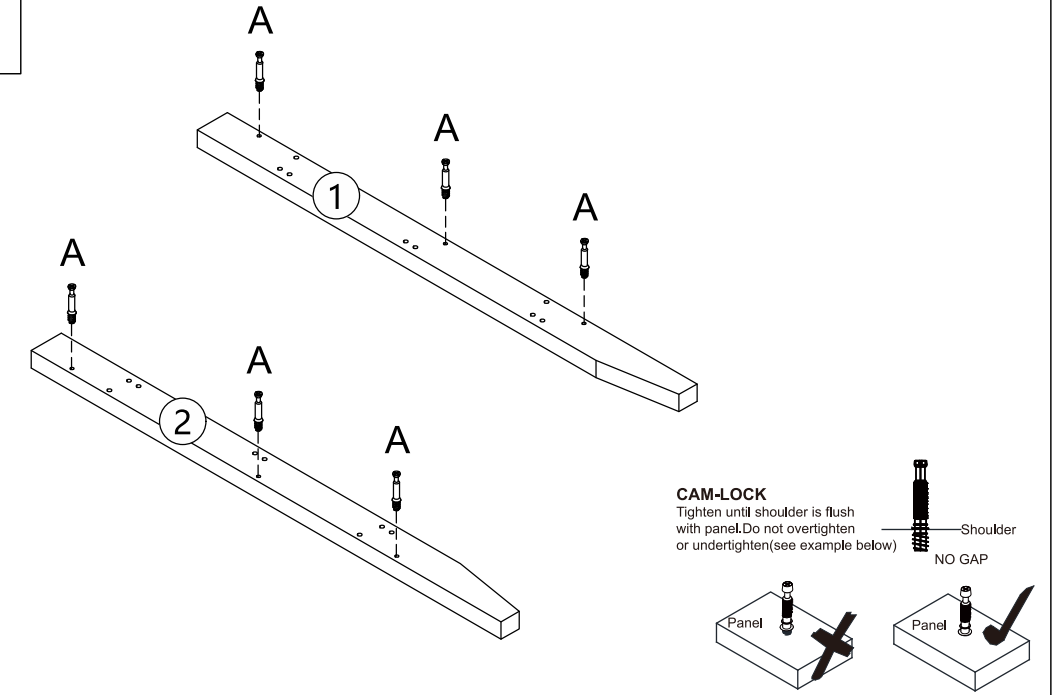


X6

Insert dowels (C) into the holes at both ends of part (#10). Repeat the same procedure for six additional sets.

Step 3

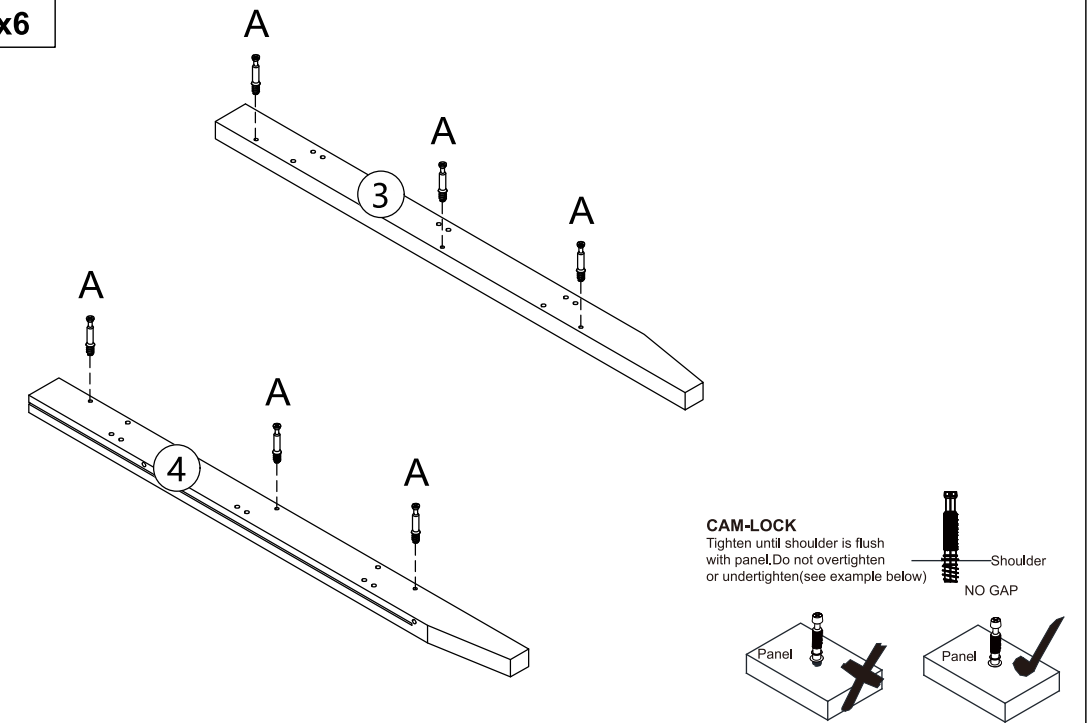
- A**  x6



Screw hardware (A) into the holes of parts (#1) and (#2).

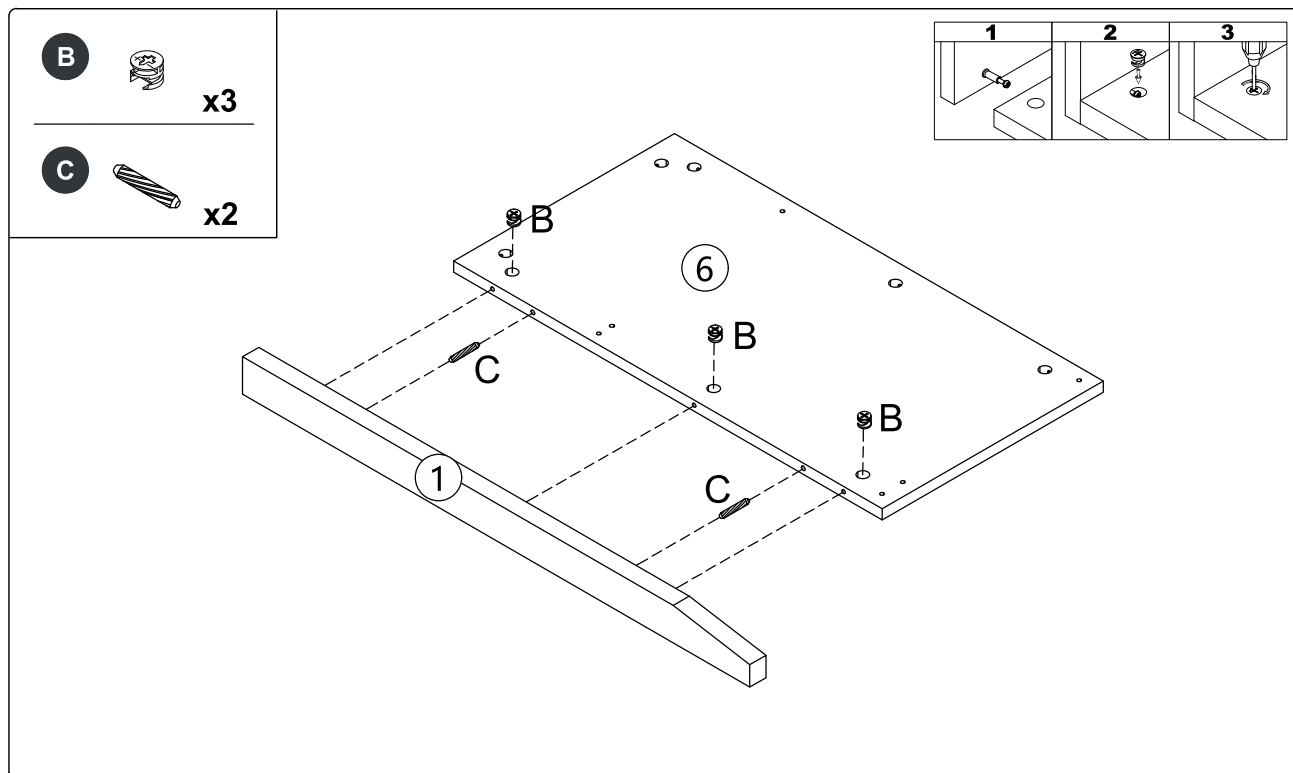
Step 4

- A**  x6



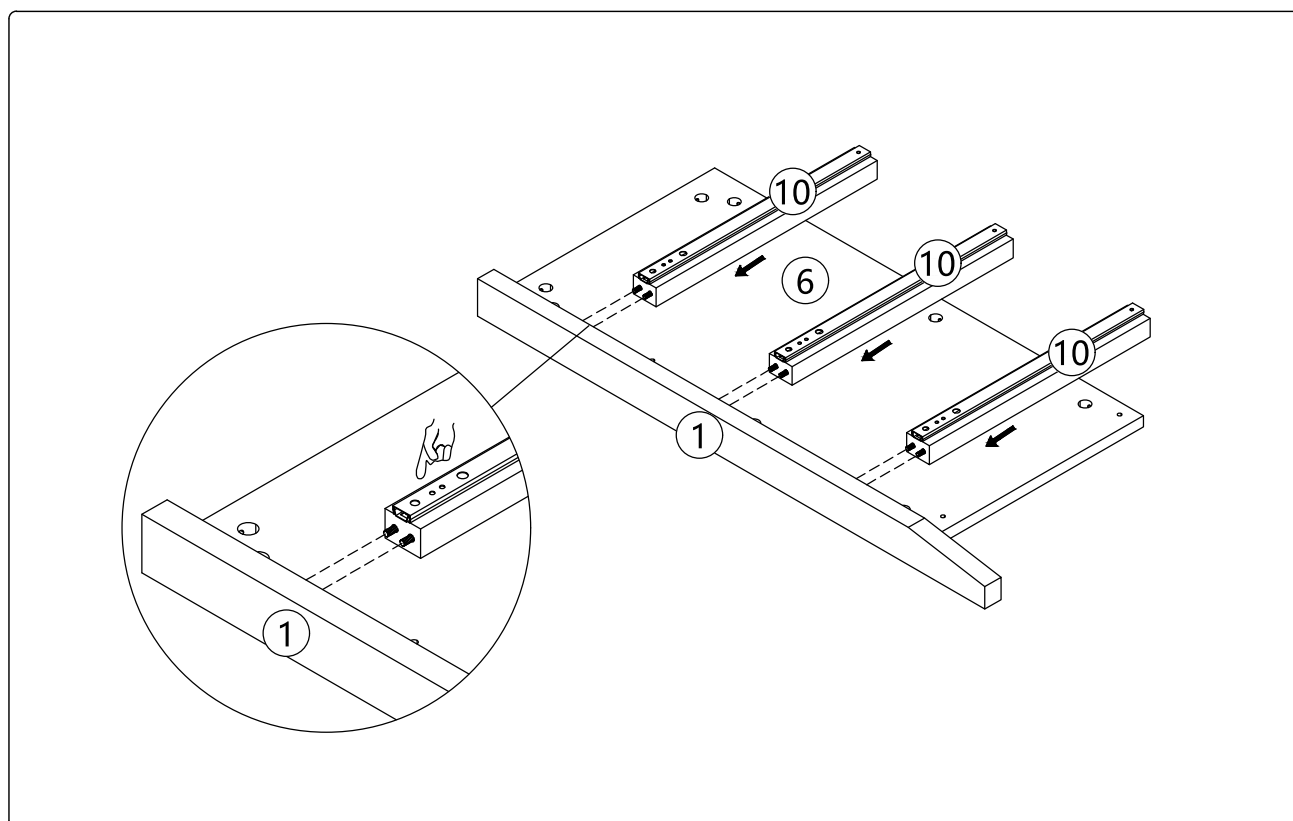
Screw hardware (A) into the holes of parts (#3) and (#4).

Step 5



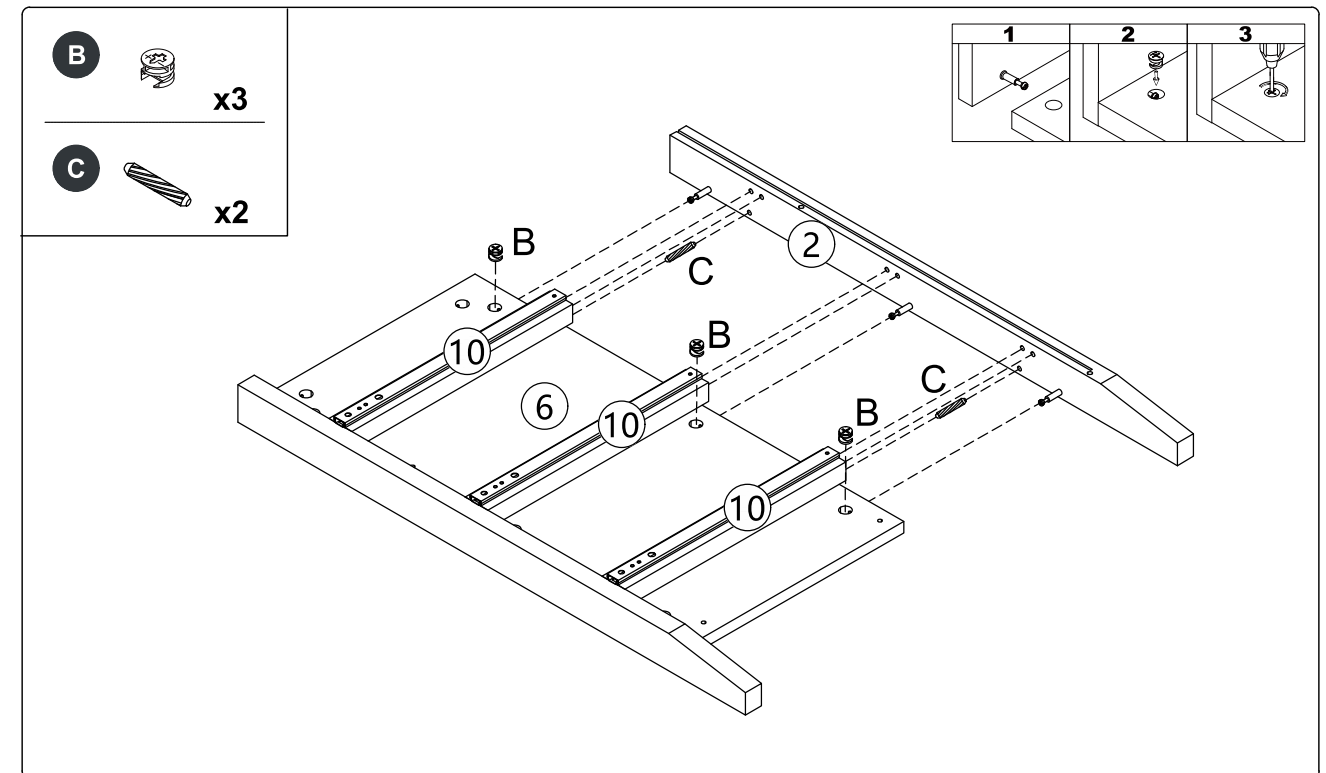
Connect parts (#1) and (#6) using dowels (C) and secure them with hardware (B).

Step 6



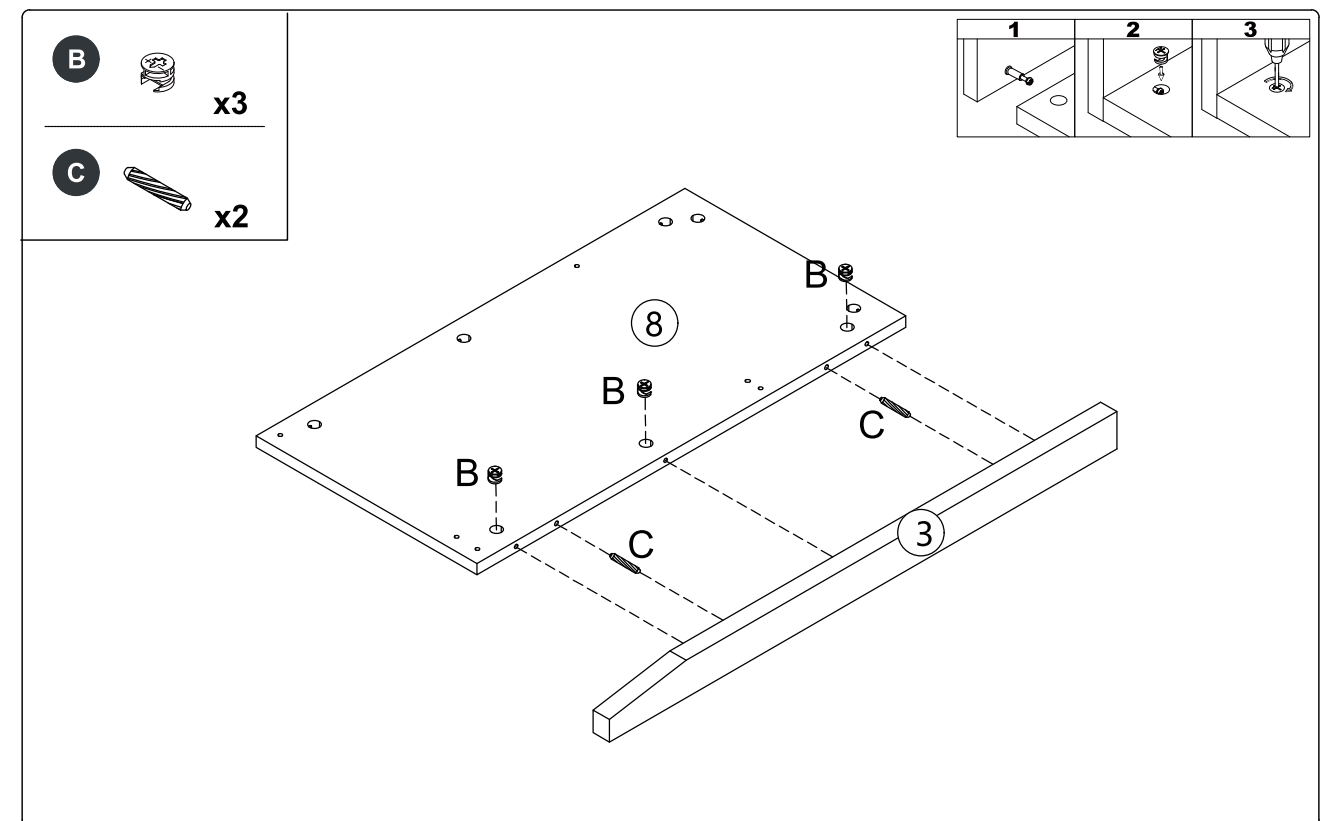
On part (#6), connect parts (#1) and (#10) following the arrow direction, ensuring that the side with more rail holes faces part (#1).

Step 7



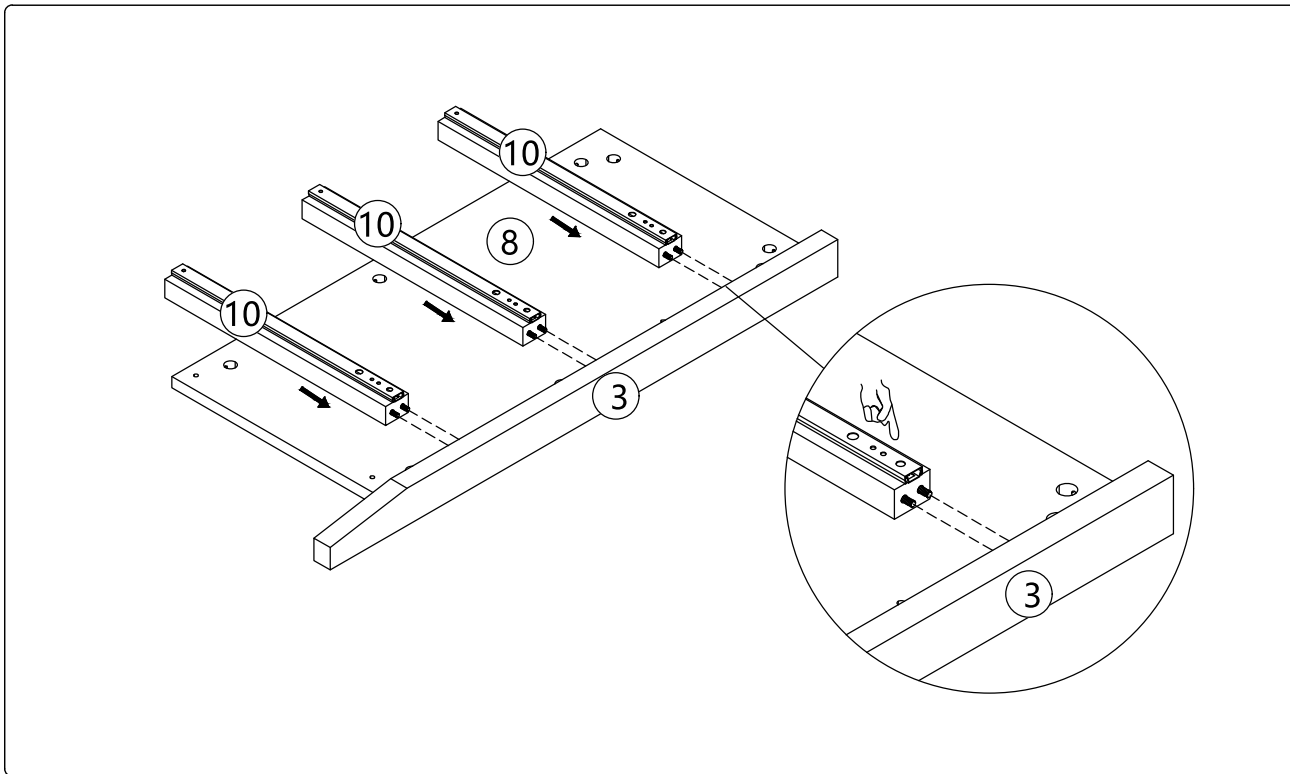
Connect parts (#2) and (#6) using dowels (C) and secure them with hardware (B).

Step 8



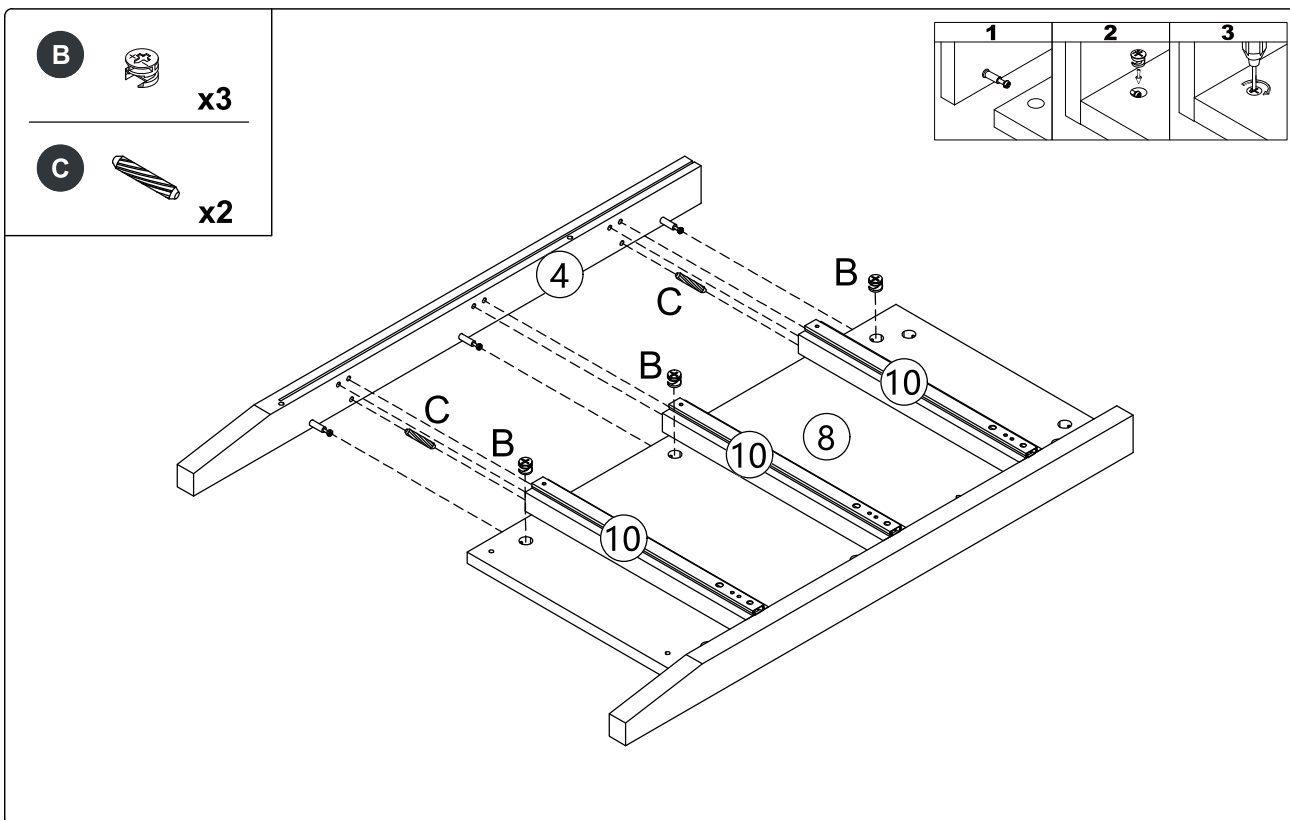
Connect parts (#3) and (#8) using dowels (C) and secure them with hardware (B).

Step 9



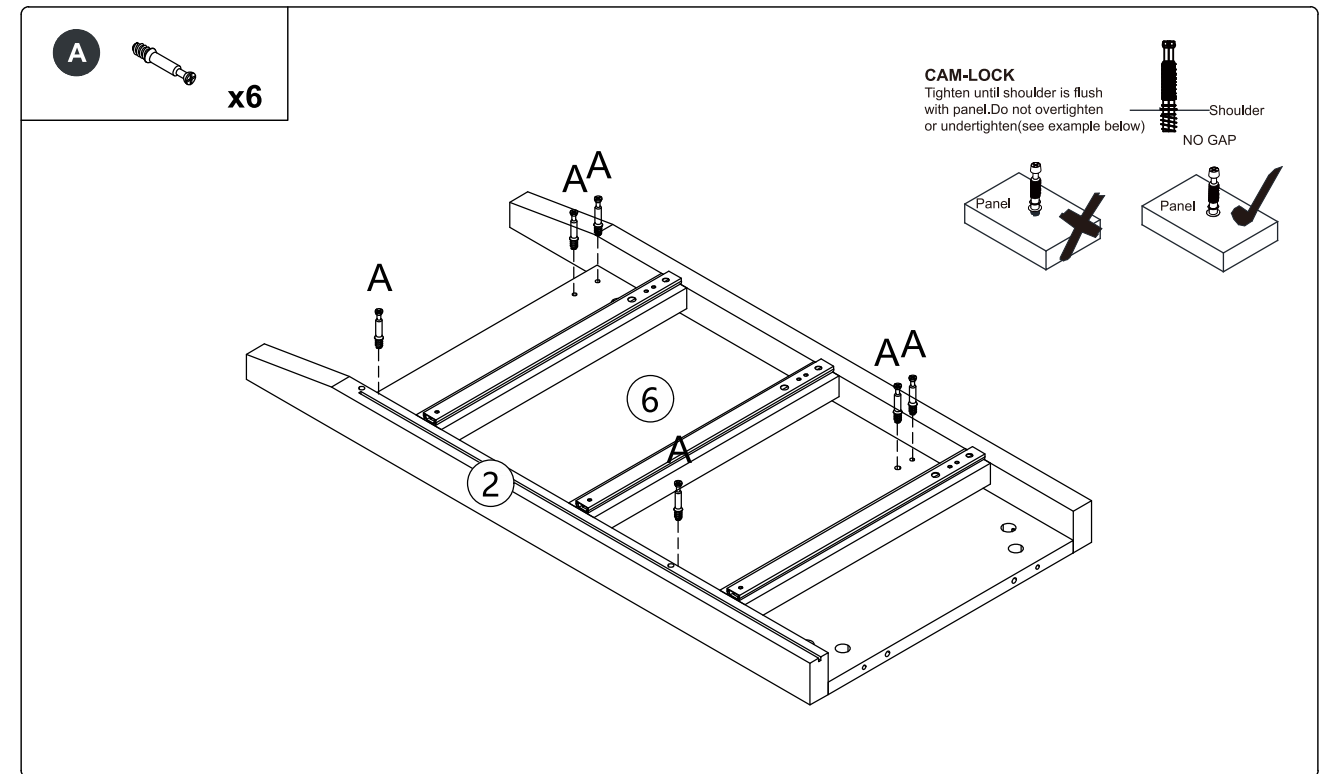
On part (#8), connect parts (#3) and (#10) following the arrow direction, ensuring that the side with more rail holes faces part (#3).

Step 10



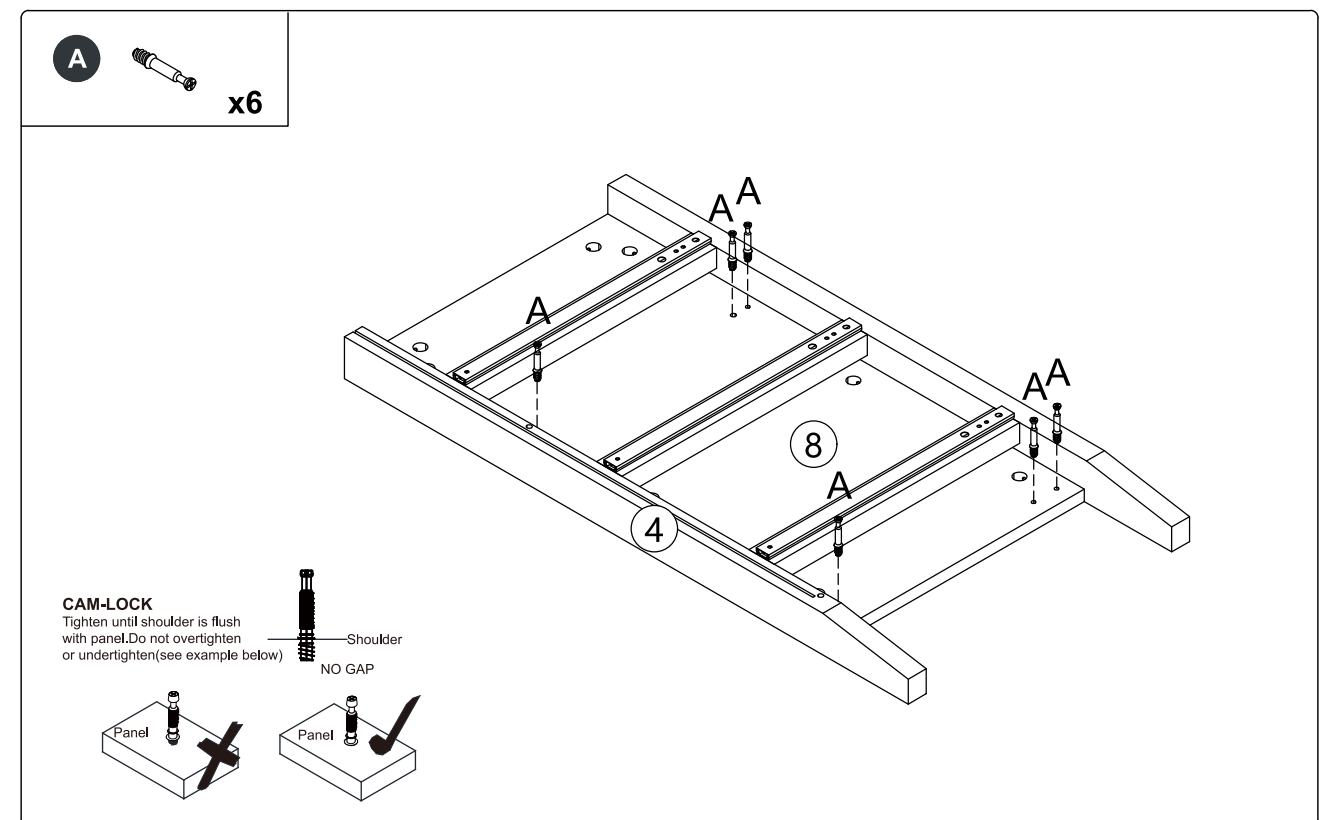
Connect parts (#4) and (#8) using dowels (C) and secure them with hardware (B).

Step 11



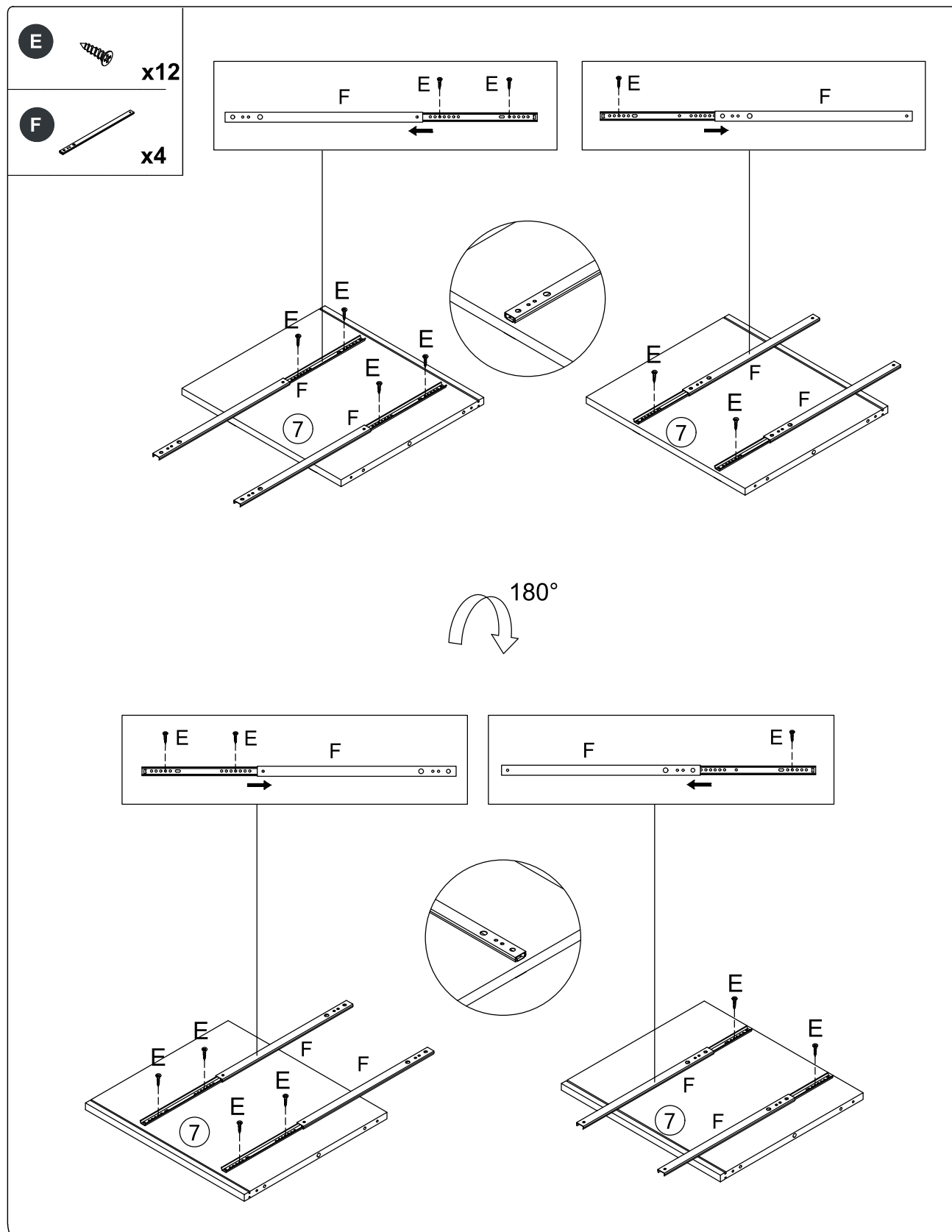
Screw hardware (A) into the holes of part (#6).

Step 12



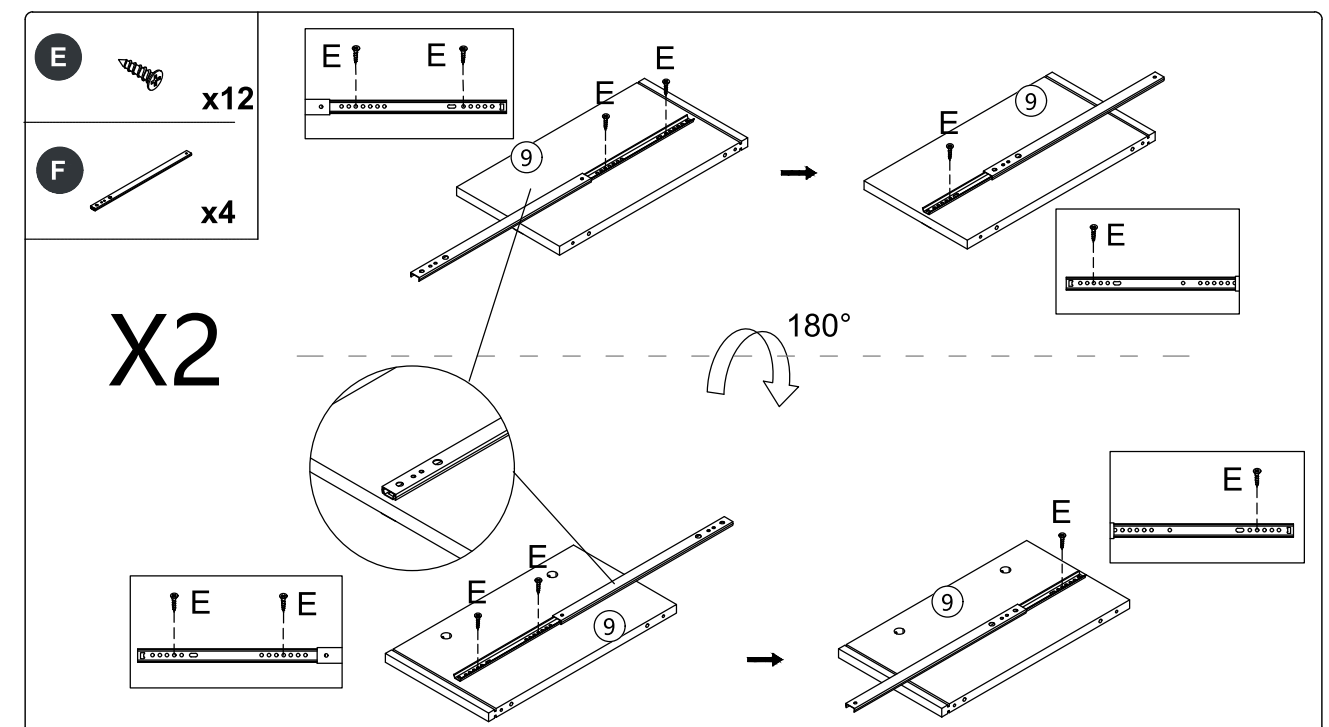
Screw hardware (A) into the holes of part (#8).

Step 13



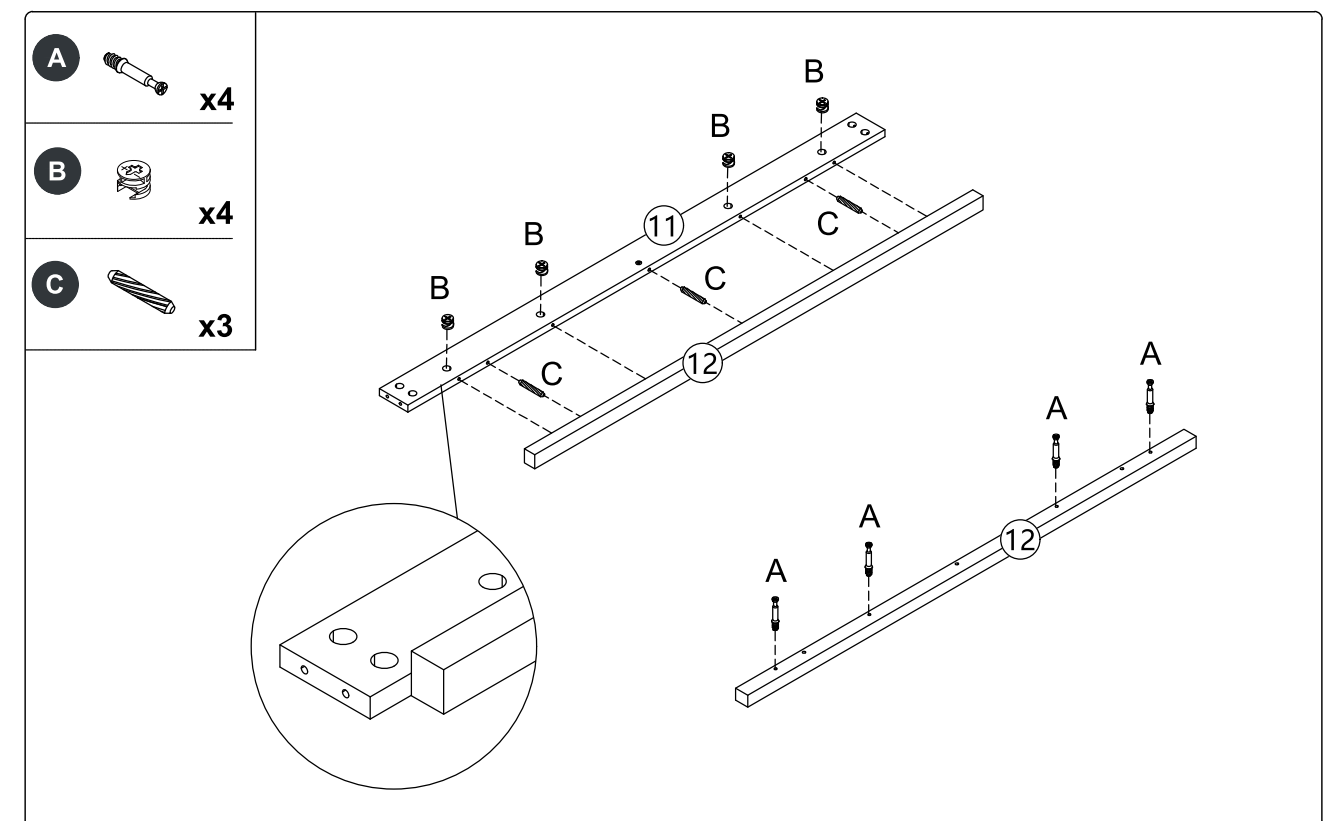
1. Install the drawer rails (F) on both sides of part (#7), ensuring that the side with more rail holes faces the side without grooves.
2. After installing one side, rotate the rail 180° and repeat the installation on the other side.
3. Be aware that the rail hole positions differ on both sides.

Step 14



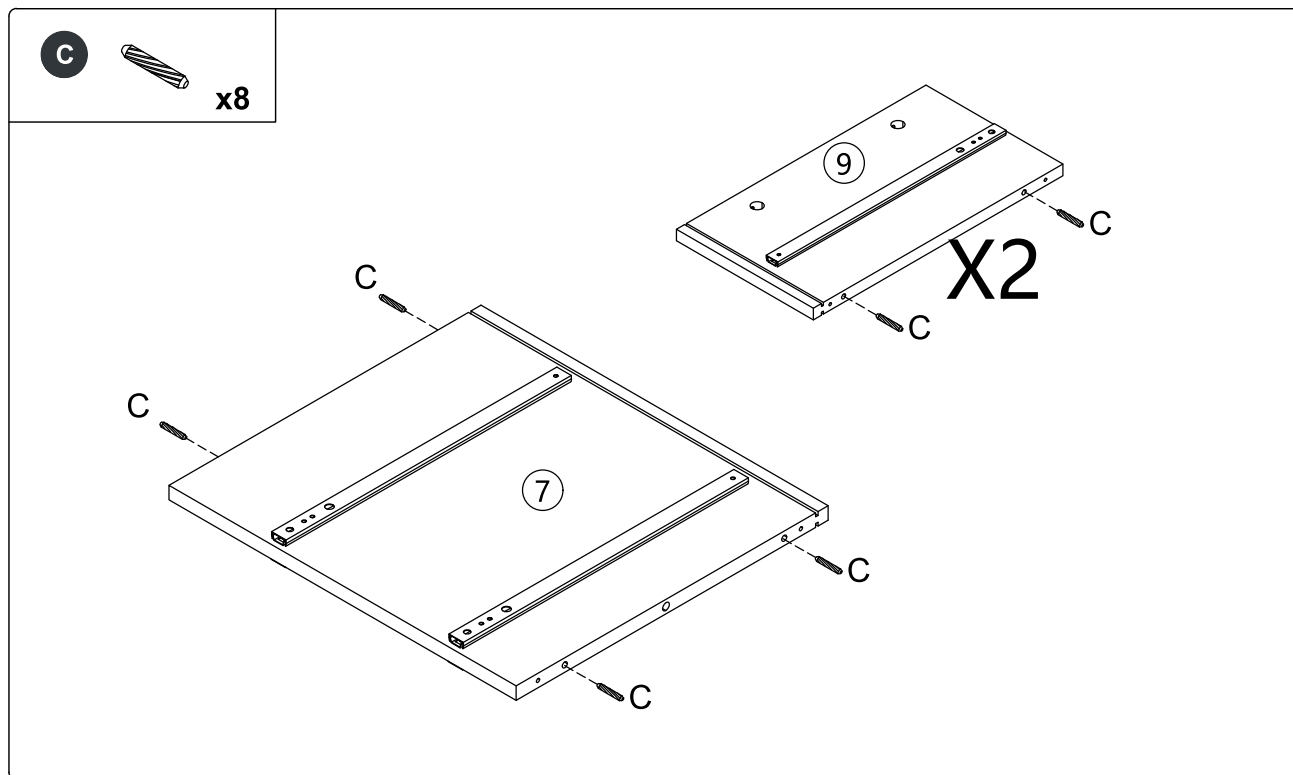
1. Install the drawer rails (F) on both sides of part (#9), ensuring that the side with more rail holes faces the side without grooves.
2. After installing one side, rotate the rail 180° and repeat the installation on the other side.
3. Be aware that the rail hole positions differ on both sides. Repeat this step for two additional sets.

Step 15



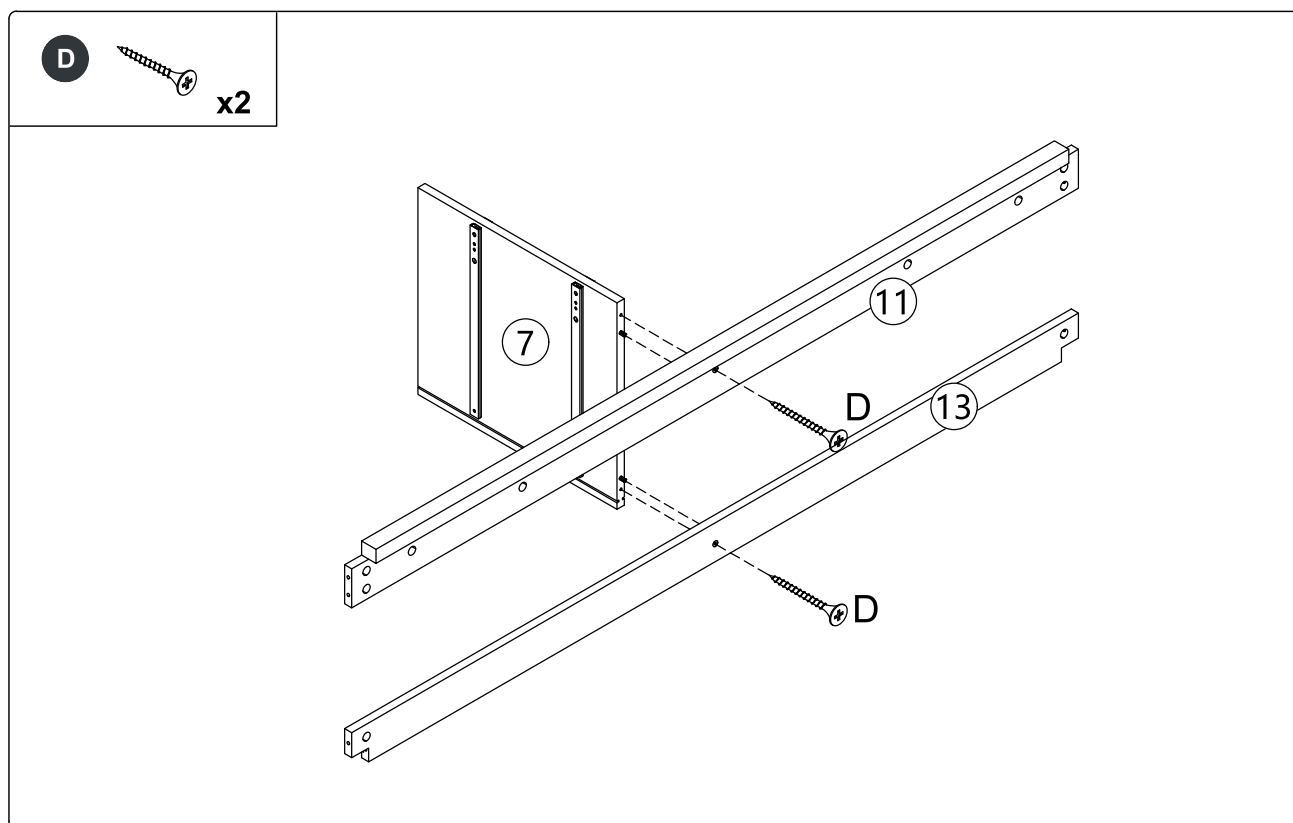
- Screw hardware (A) into the holes of part (#12), insert dowels (C) to connect part (#11) and part (#12), and secure with hardware (B).

Step 16



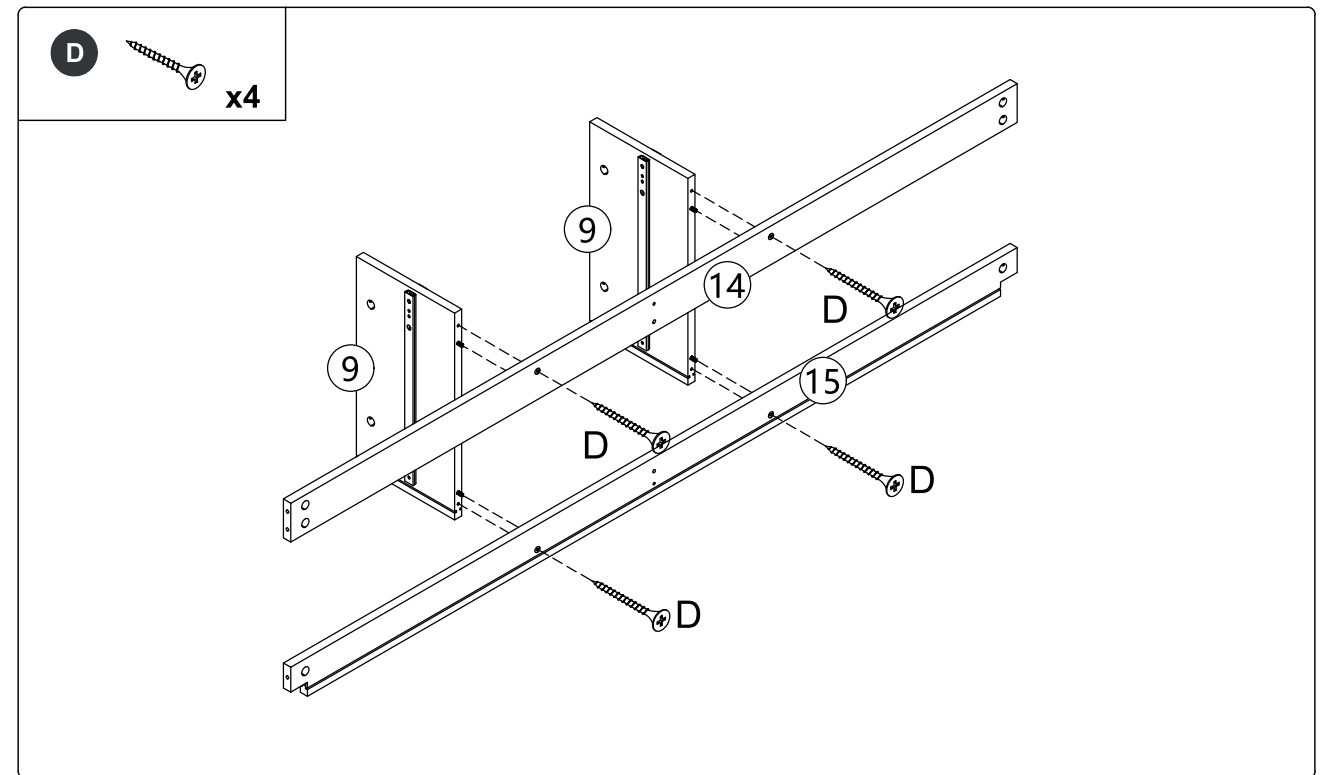
Insert dowels (C) into parts (#7) and (#9). Repeat this step for part (#9) for two additional sets.

Step 17



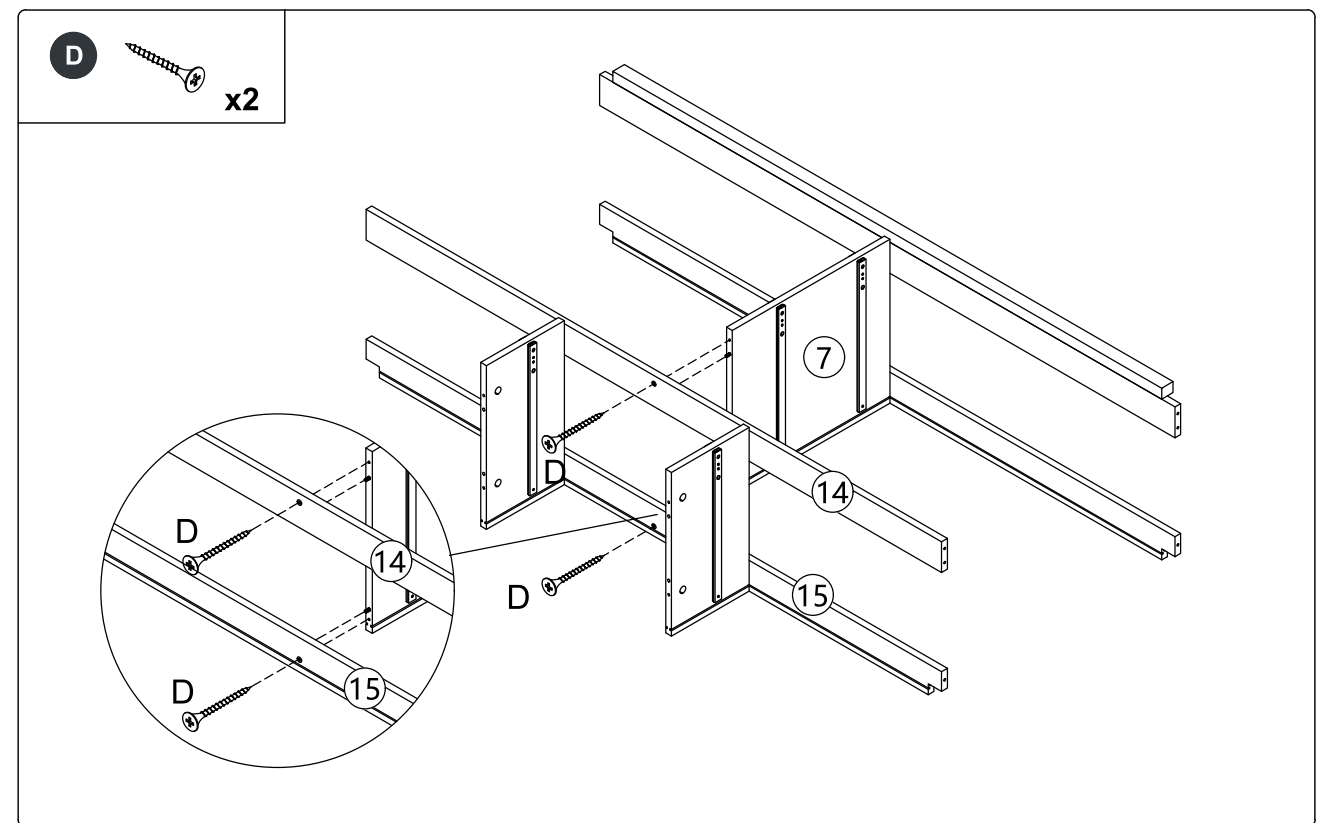
Connect parts (#11) and (#13) with part (#7) and secure with screws (D).

Step 18



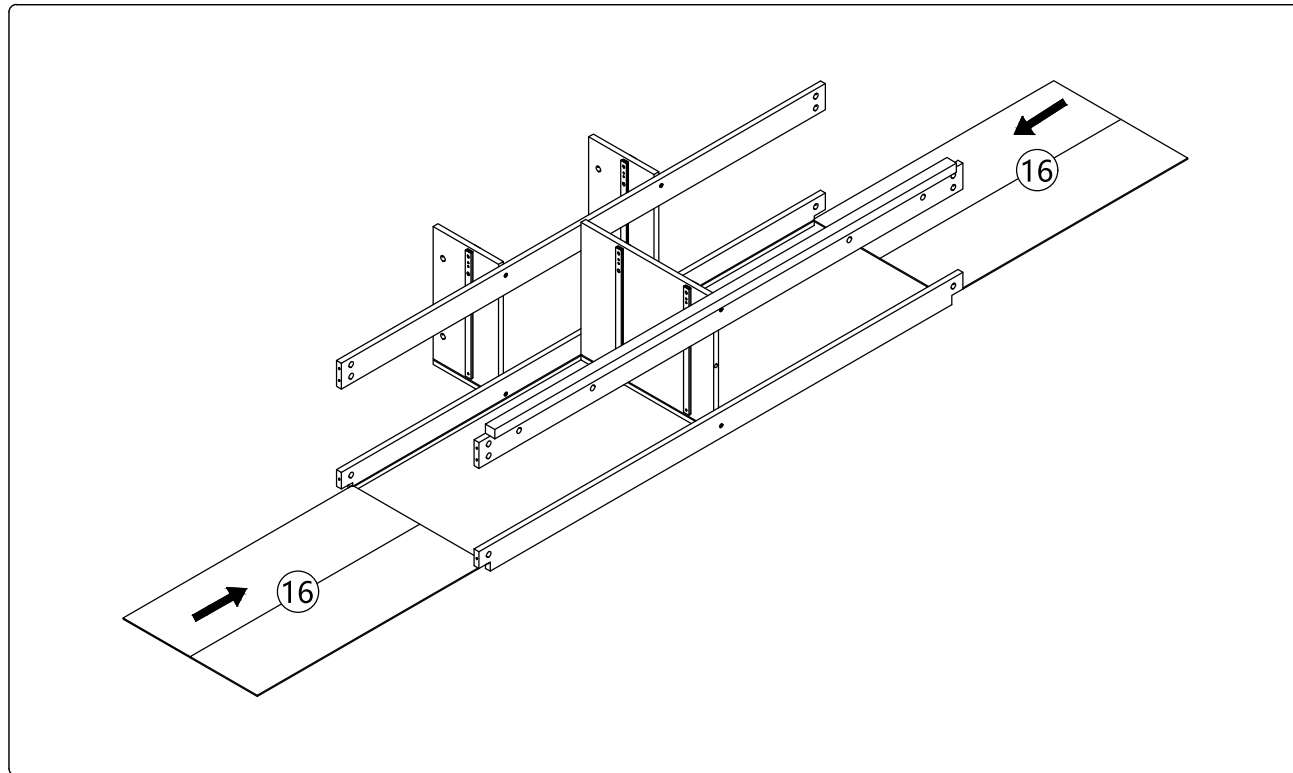
Connect parts (#14) and (#15) with part (#9) and secure with screws (D).

Step 19



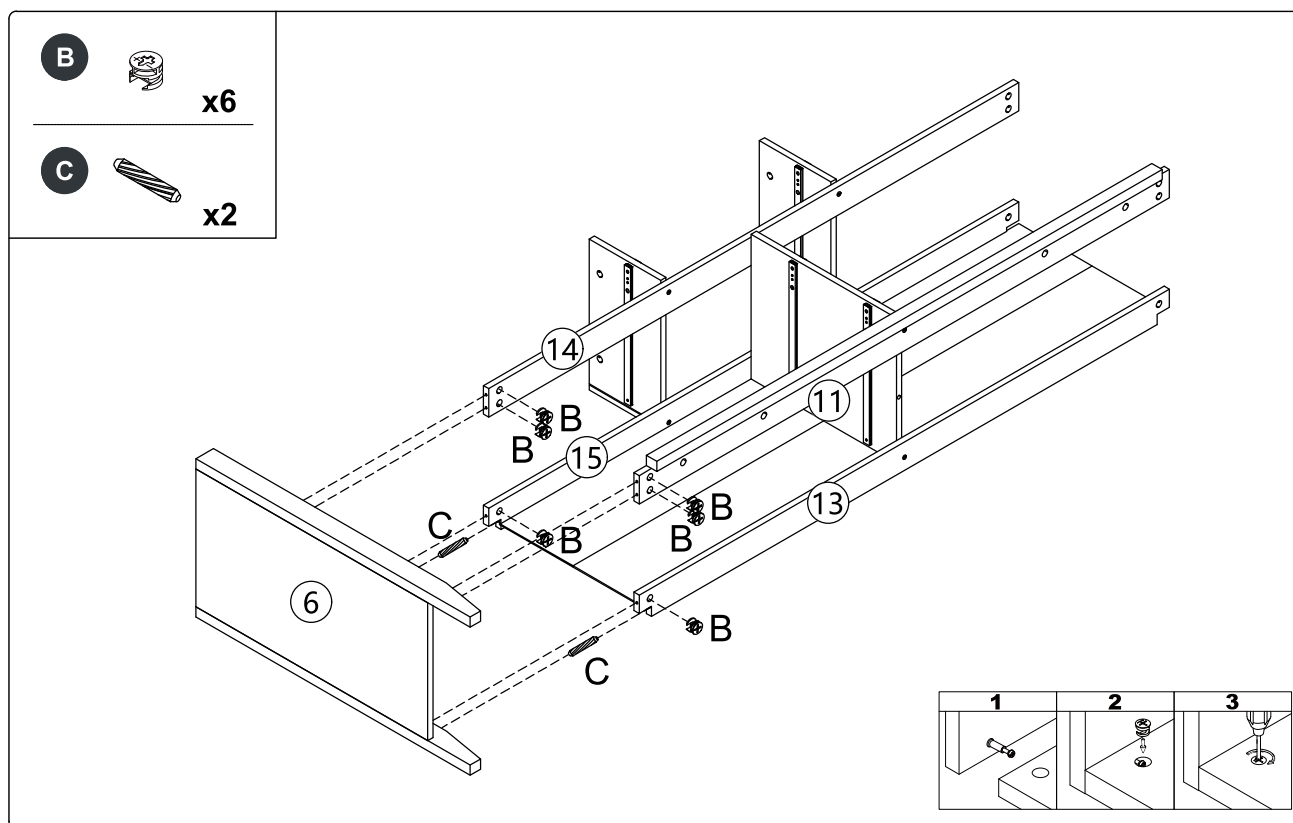
Connect the assembled parts (#14) and (#15) with part (#7) and secure with screws (D).

Step 20



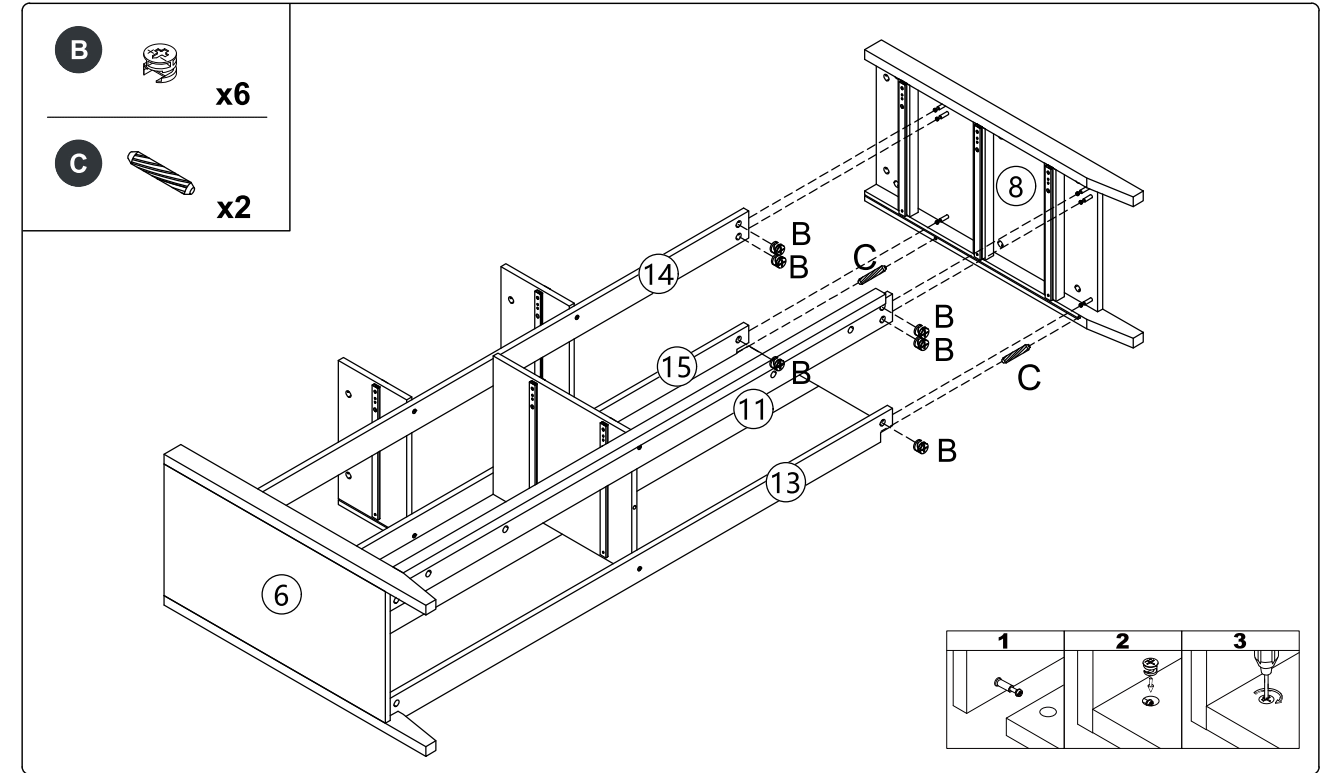
Insert parts (#16) on both sides.

Step 21



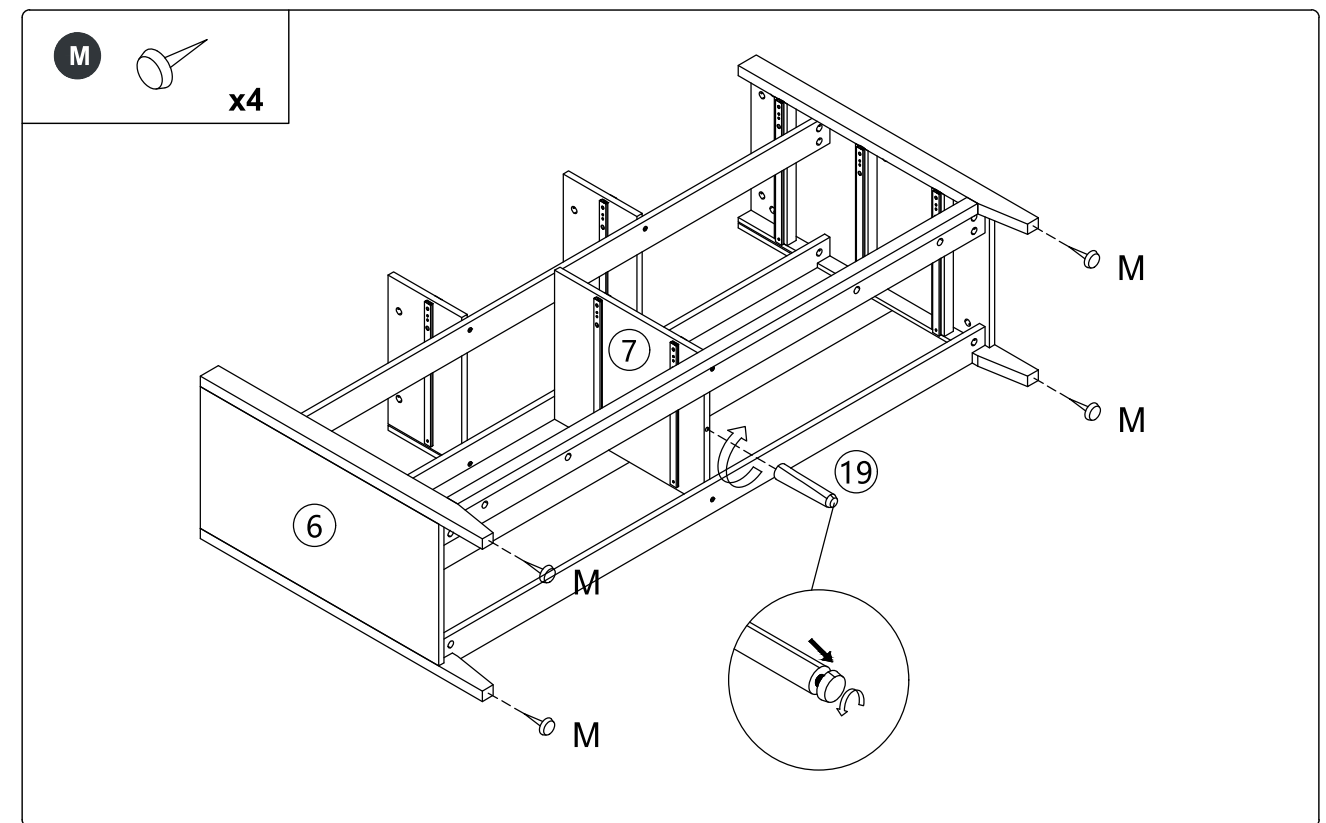
Insert dowels (C) into parts (#13) and (#15). Connect parts (#6), (#11), (#13), (#14), (#15) and secure with hardware (B).

Step 22



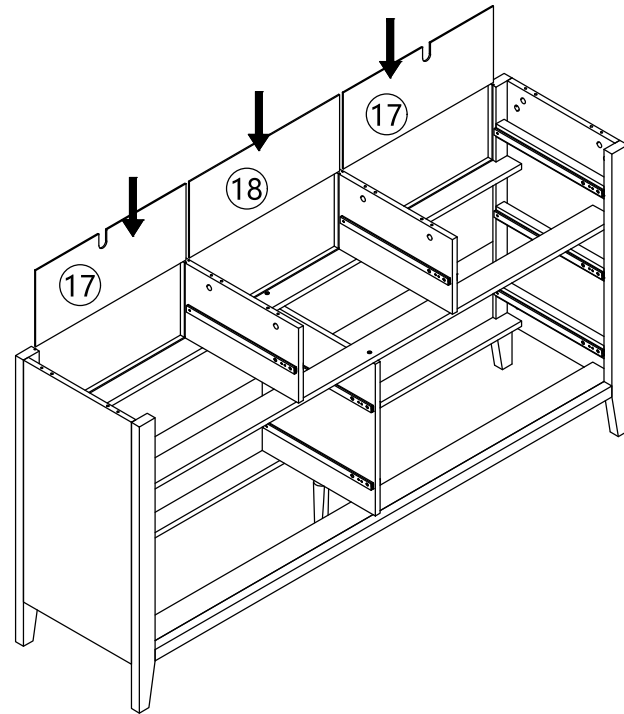
Insert dowels (C) into parts (#13) and (#15). Connect parts (#8), (#11), (#13), (#14), (#15) and secure with hardware (B).

Step 23



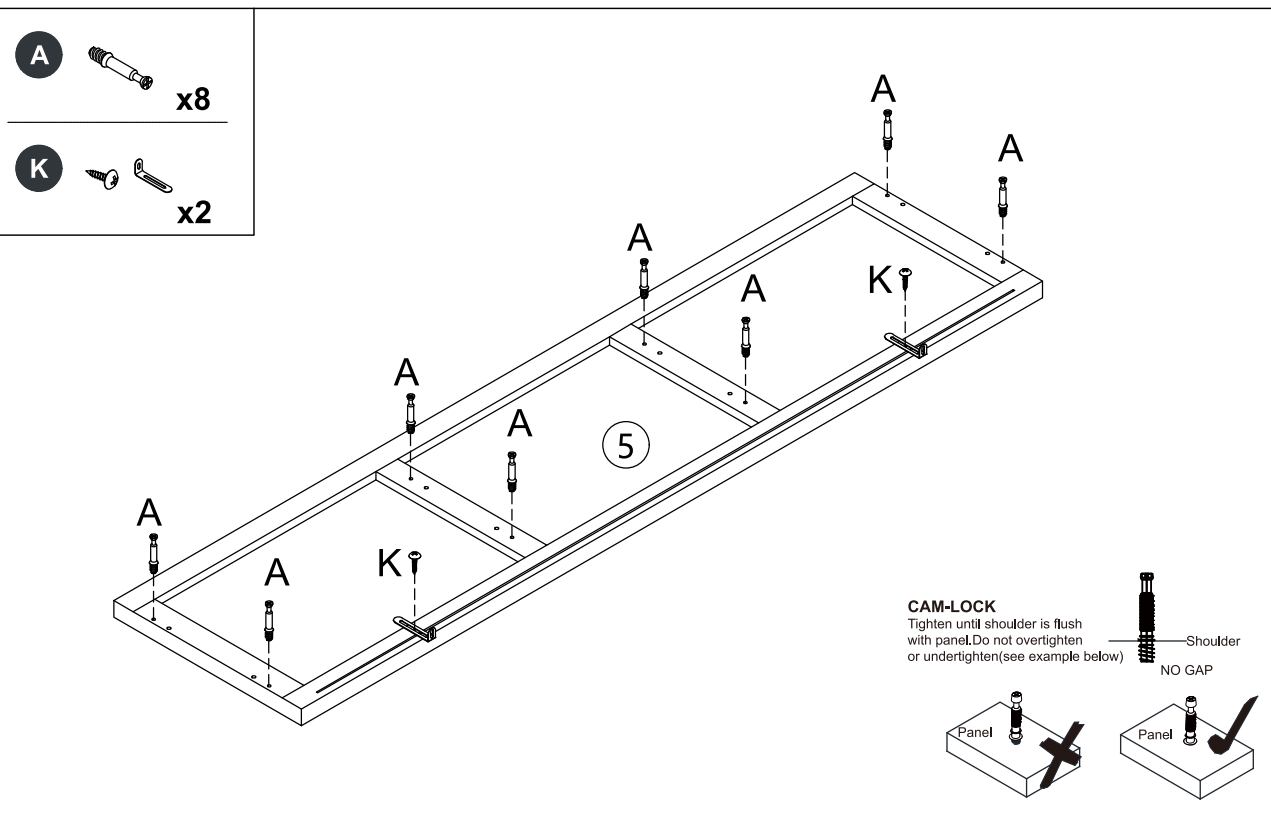
Tap foot pegs (M) into the bottoms of the four legs. Screw foot (#19) clockwise into the pre-drilled holes in part (#7). The height of foot (#19) can be adjusted.

Step 24



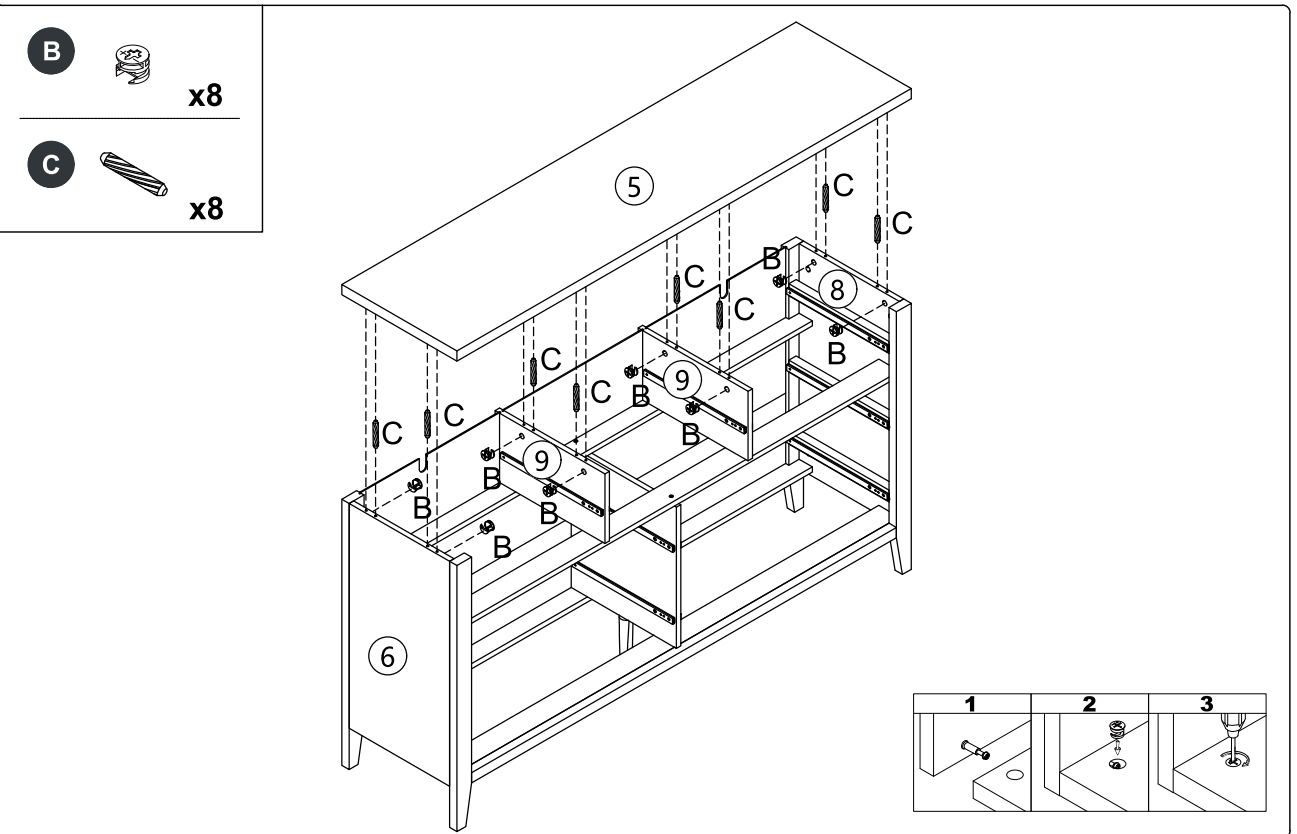
Insert parts (#17) and (#18).

Step 25



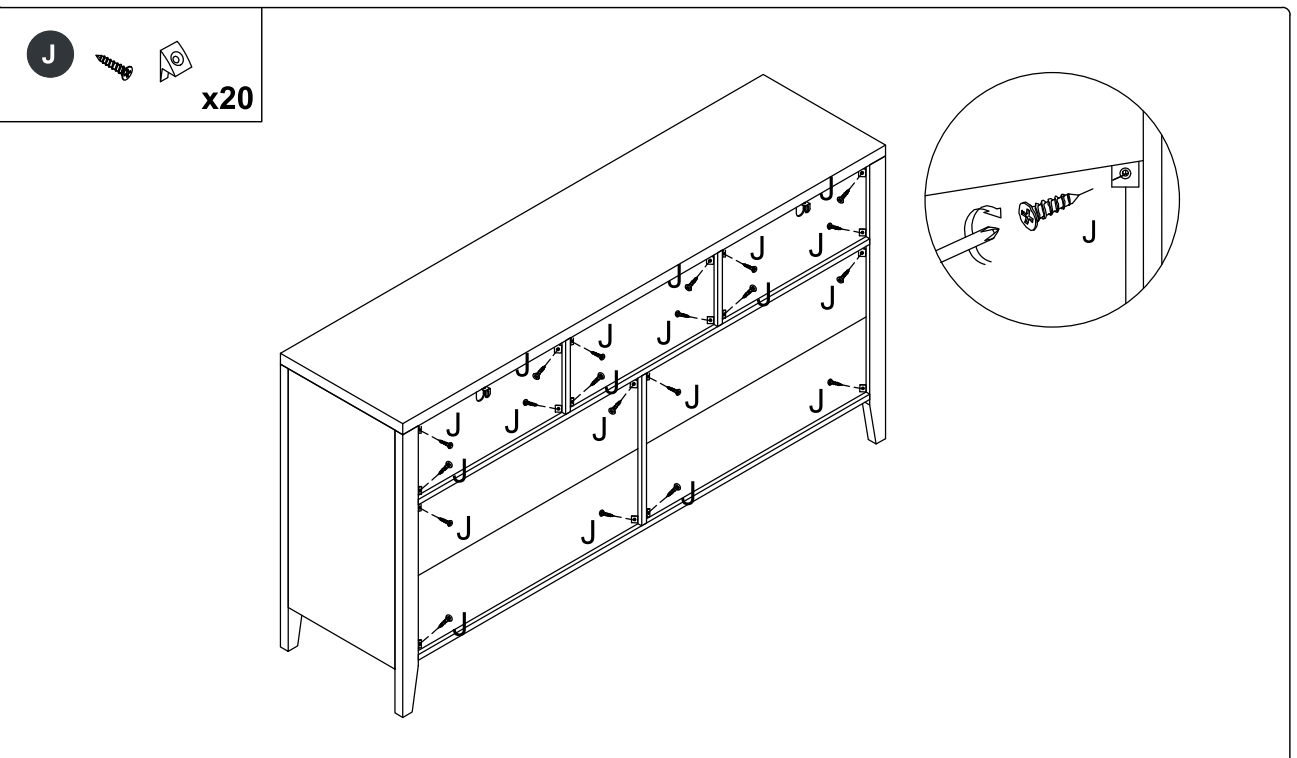
Screw hardware (A) into the holes of part (#5). Use screws (K) to install the anti-tipping metal plate (L).

Step 26



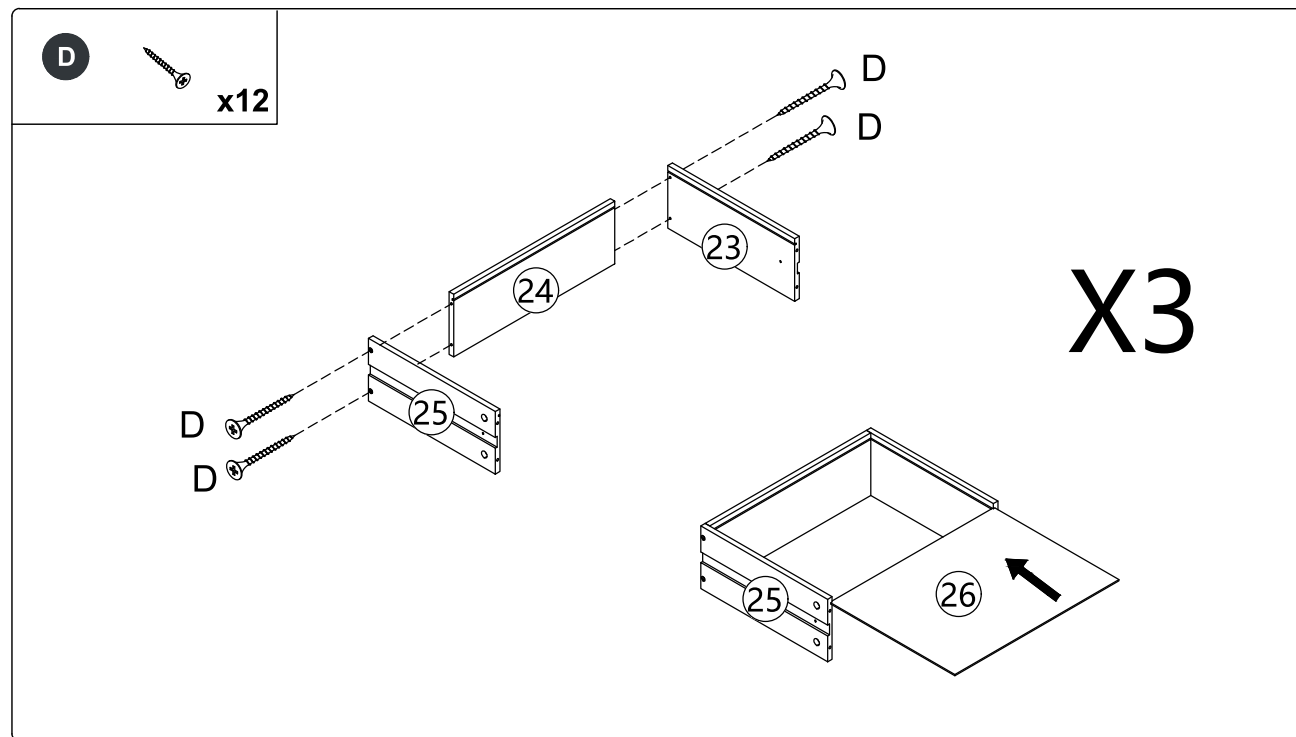
Insert dowels (C) into parts (#6), (#8), (#9), connect them to part (#5) and secure with hardware (B).

Step 27



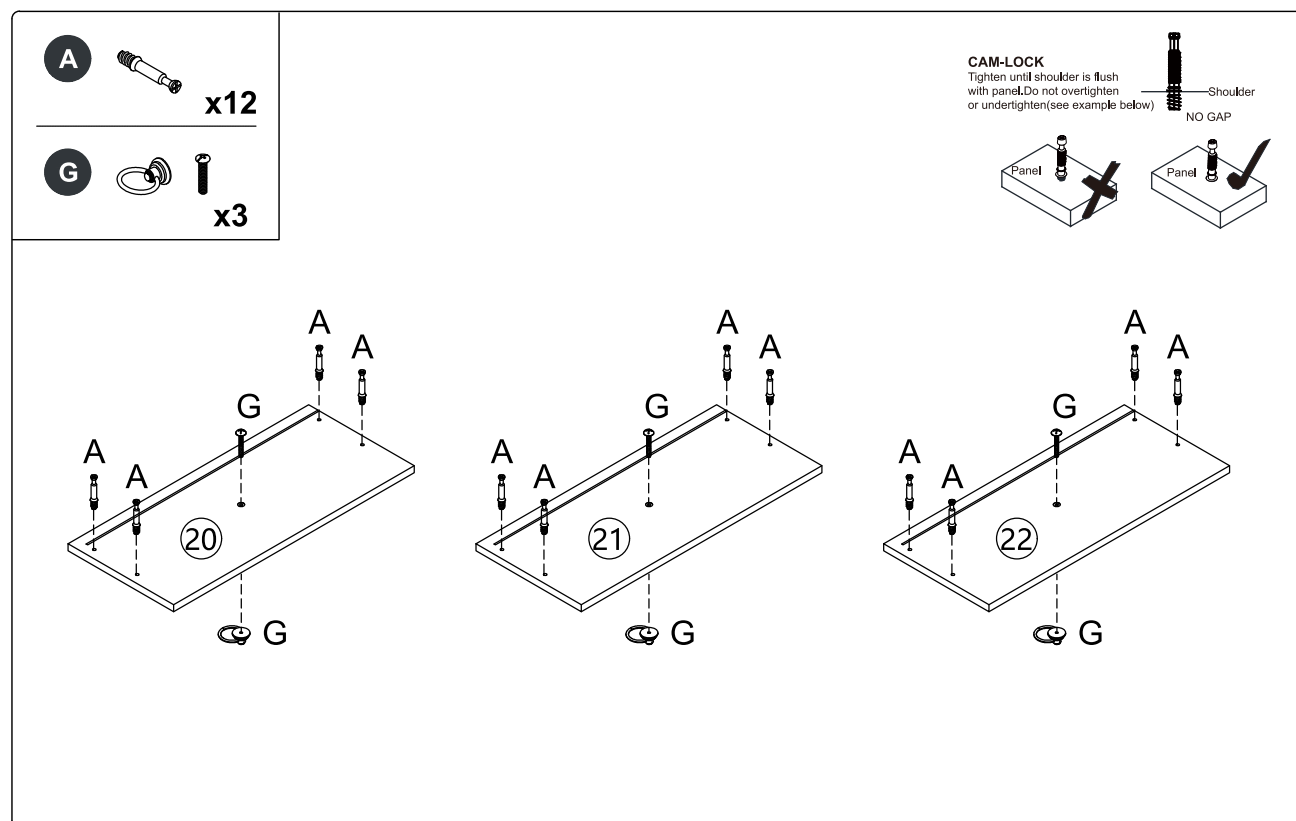
Use screws (J) to secure the white clips to part (#13), fixing the back panel in place.

Step 28



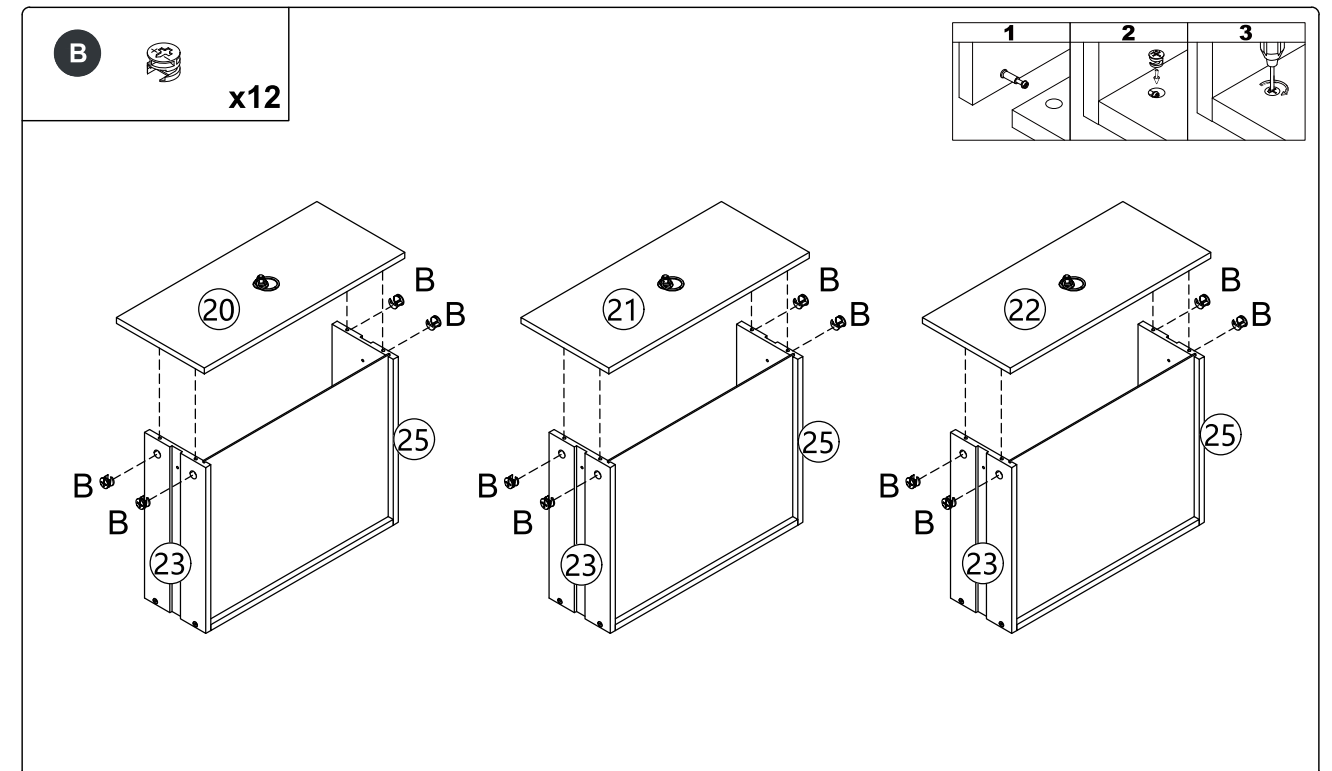
1. Use screws (D) to connect parts (#23), (#24), (#25) and secure them.
2. Insert part (#26).
3. Repeat this step for three additional sets.

Step 29



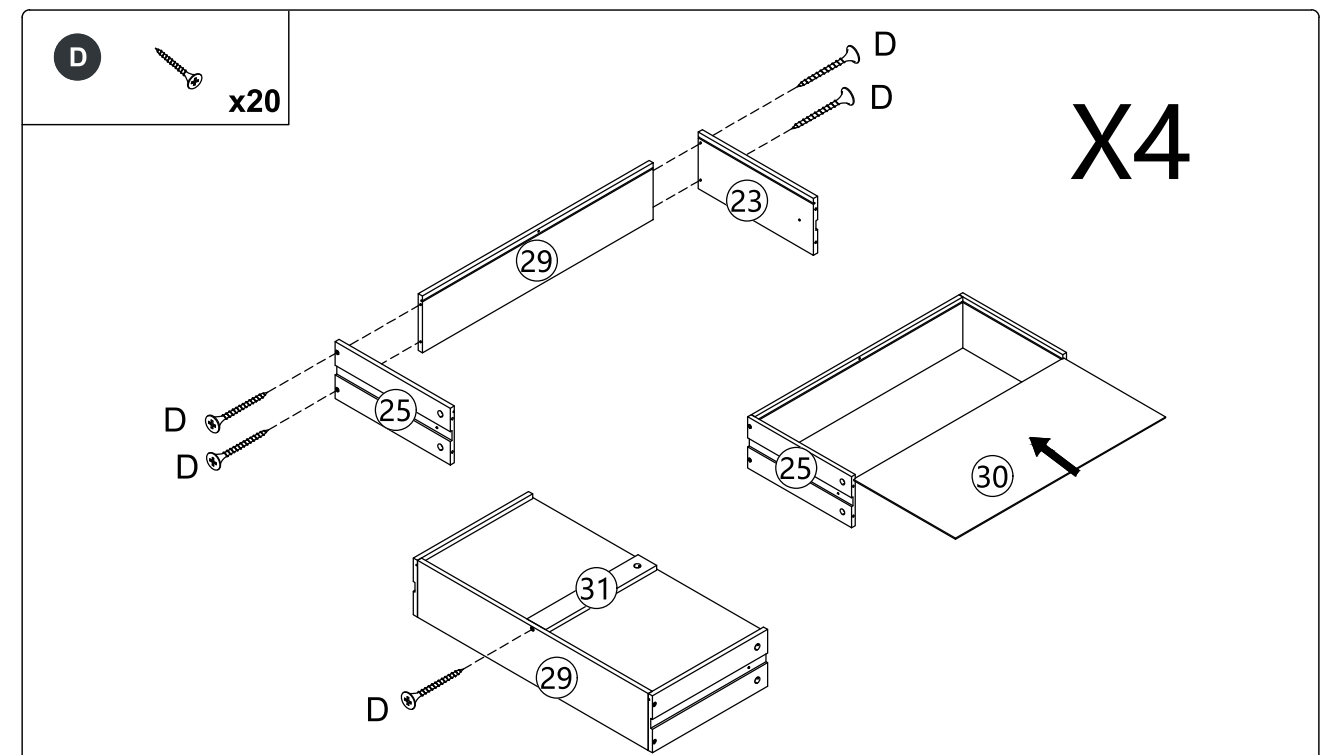
- Screw hardware (A) into the holes of parts (#20), (#21), and (#22), and install the handles with screws (G) in the middle hole.

Step 30



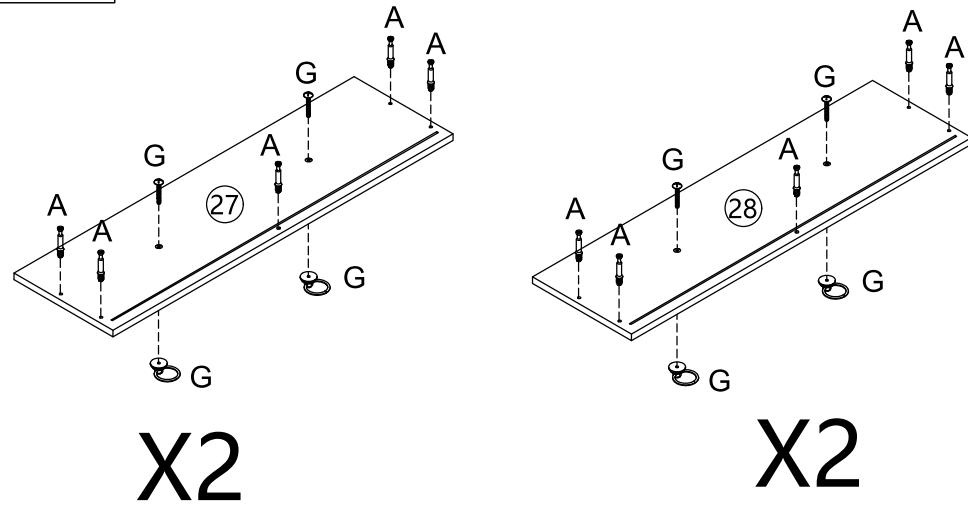
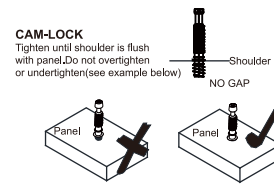
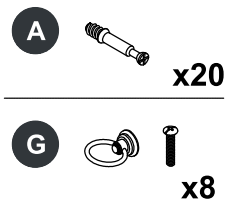
1. Connect parts (#20), (#23), and (#25) and secure with hardware (B).
2. Repeat for parts (#21) and (#22).

Step 31



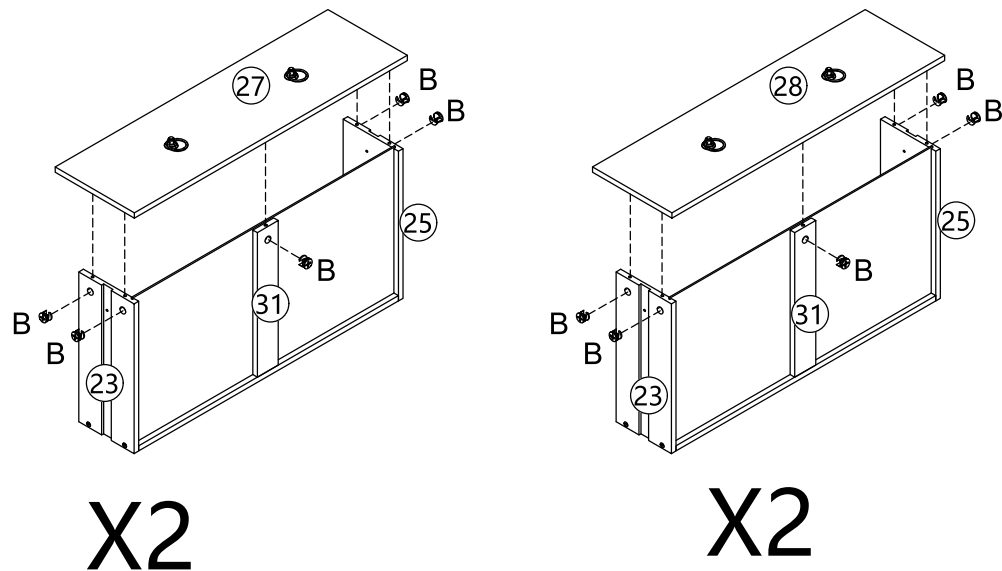
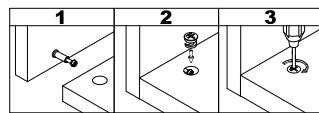
1. Use screws (D) to connect parts (#23), (#25), and (#29), and secure them.
2. Insert part (#30).
3. Use screws (D) to connect parts (#29) and (#31), and secure them.
4. Repeat this step for four sets.

Step 32



1. Screw hardware (A) into the holes of parts (#27) and (#28), and install the handles with screws (G) in the middle hole.
2. Repeat this step for two sets.

Step 33

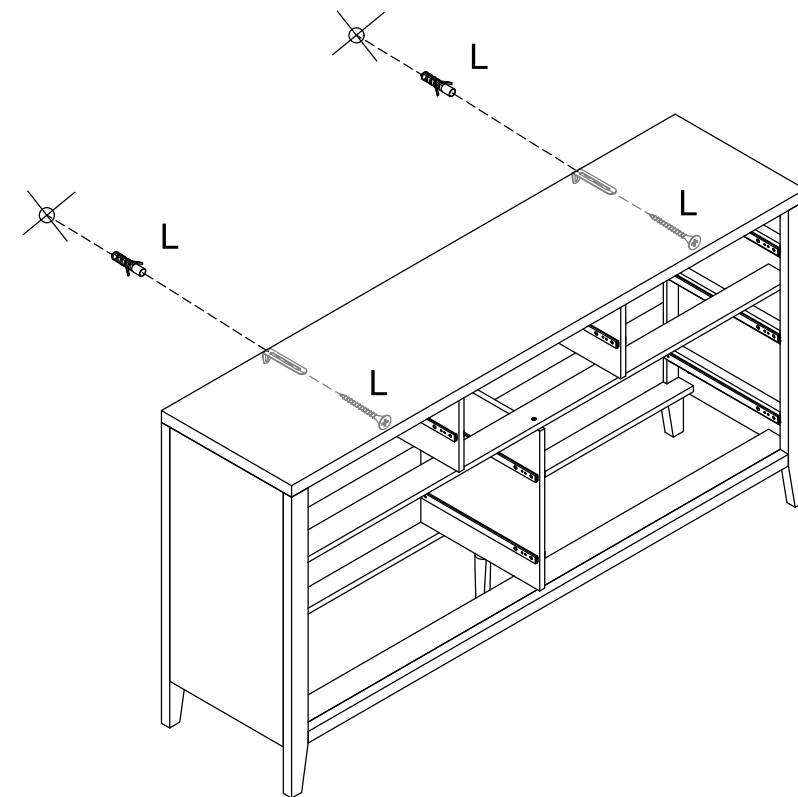


1. Connect parts (#27), (#23), (#25), and (#31) with hardware (B).
2. Connect parts (#28), (#23), (#25), and (#31) with hardware (B).
3. Repeat this step for two sets.

Step 34



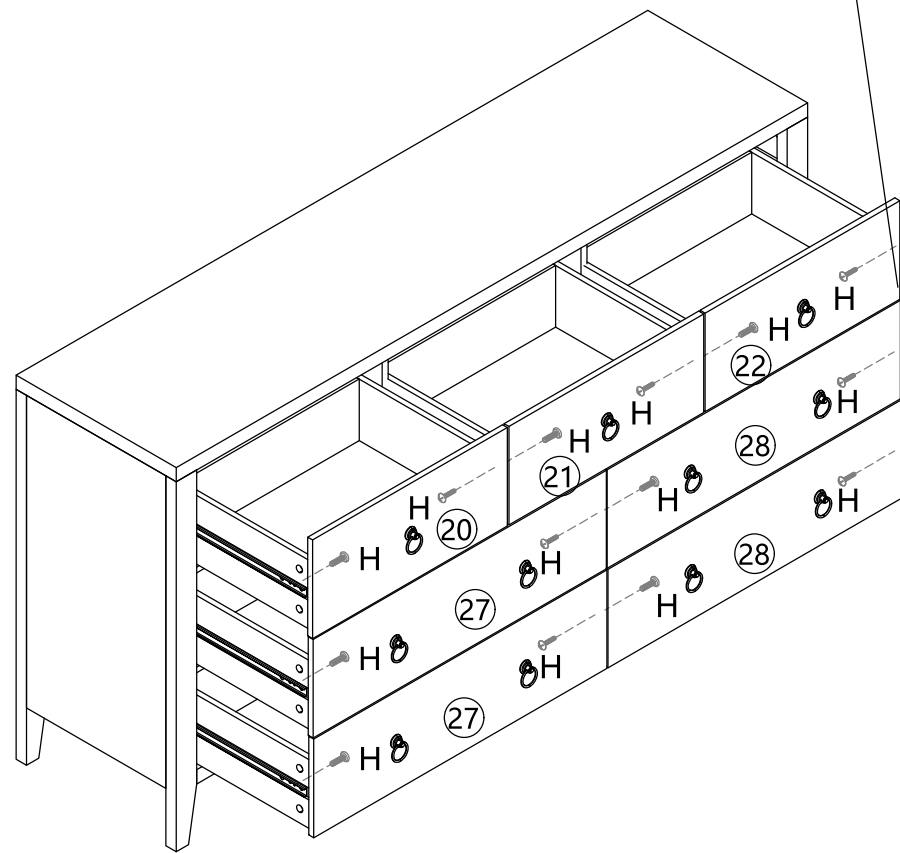
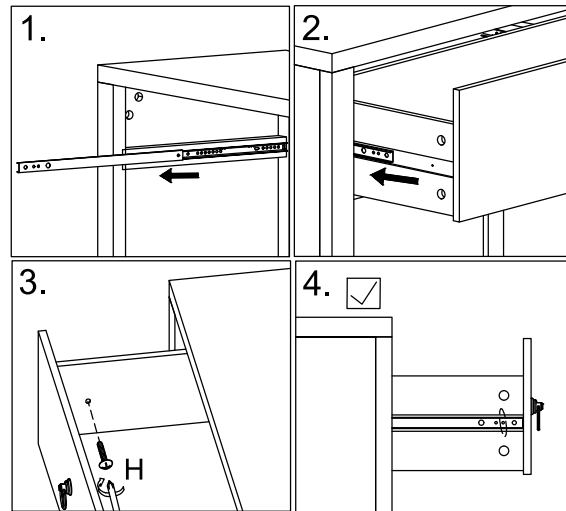
wall



1. Drill holes in the wall.
2. Insert expansion plugs into the wall.
3. Use screws (L) to secure the cabinet to the wall.

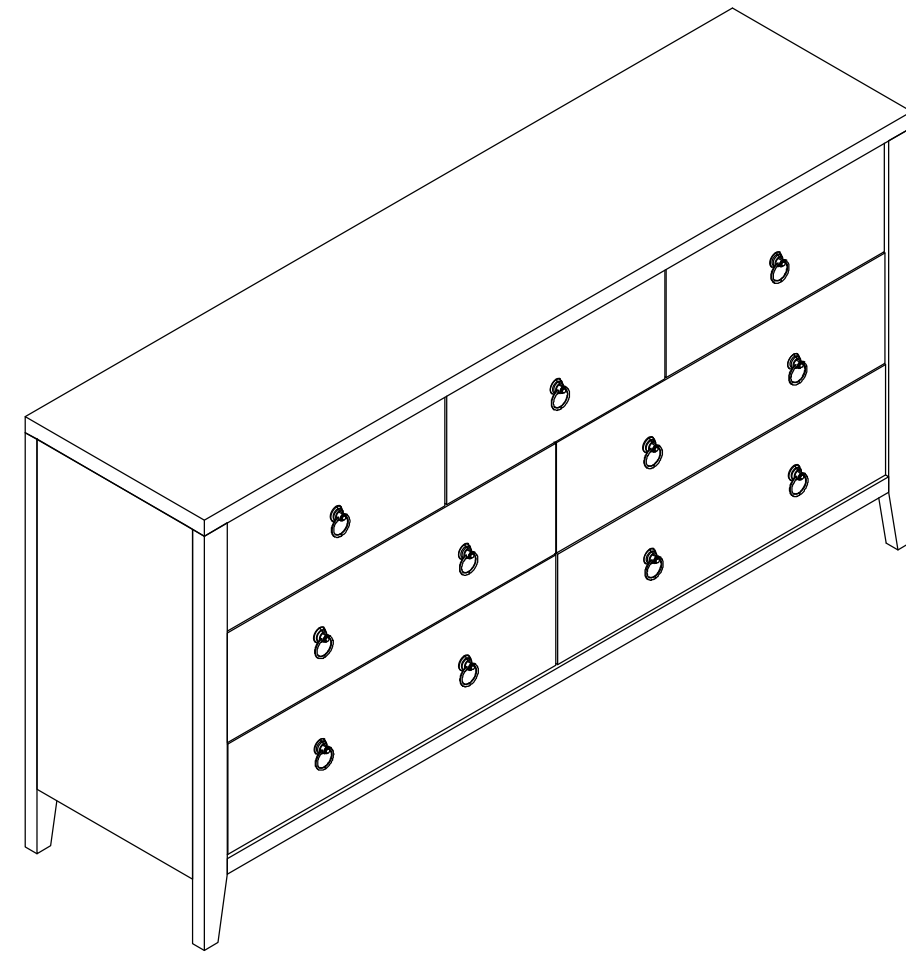
Step 35

H  x14



1. Pull out the rail and push the groove on the side of the drawer into the rail.
2. Use screws (H) to secure the rail from the inside of the drawer outward.
3. The rail holes are counted from right to left, using the second hole.

Step 36



Assembly is complete