



for your baby 😊

Version: R5-0

Stamford

Tall Chest of Drawers

Instructions

sign up

www.**OBABY**.co.uk

Create an account for **exclusive** offers, competitions and updates

5 Year Extended Guarantee
5 Year

Simply register within 28 days!

DESIGNED IN THE UK

IMPORTANT
KEEP FOR FUTURE REFERENCE
PLEASE READ THESE INSTRUCTIONS
CAREFULLY BEFORE USING THIS PRODUCT

Thank you for choosing Obaby. This tall chest of drawers conforms to BS EN 14749:2016. To ensure that your tall chest of drawers is used in accordance with these instructions, please read them fully.

Your child's safety may be affected if you do not follow these instructions.

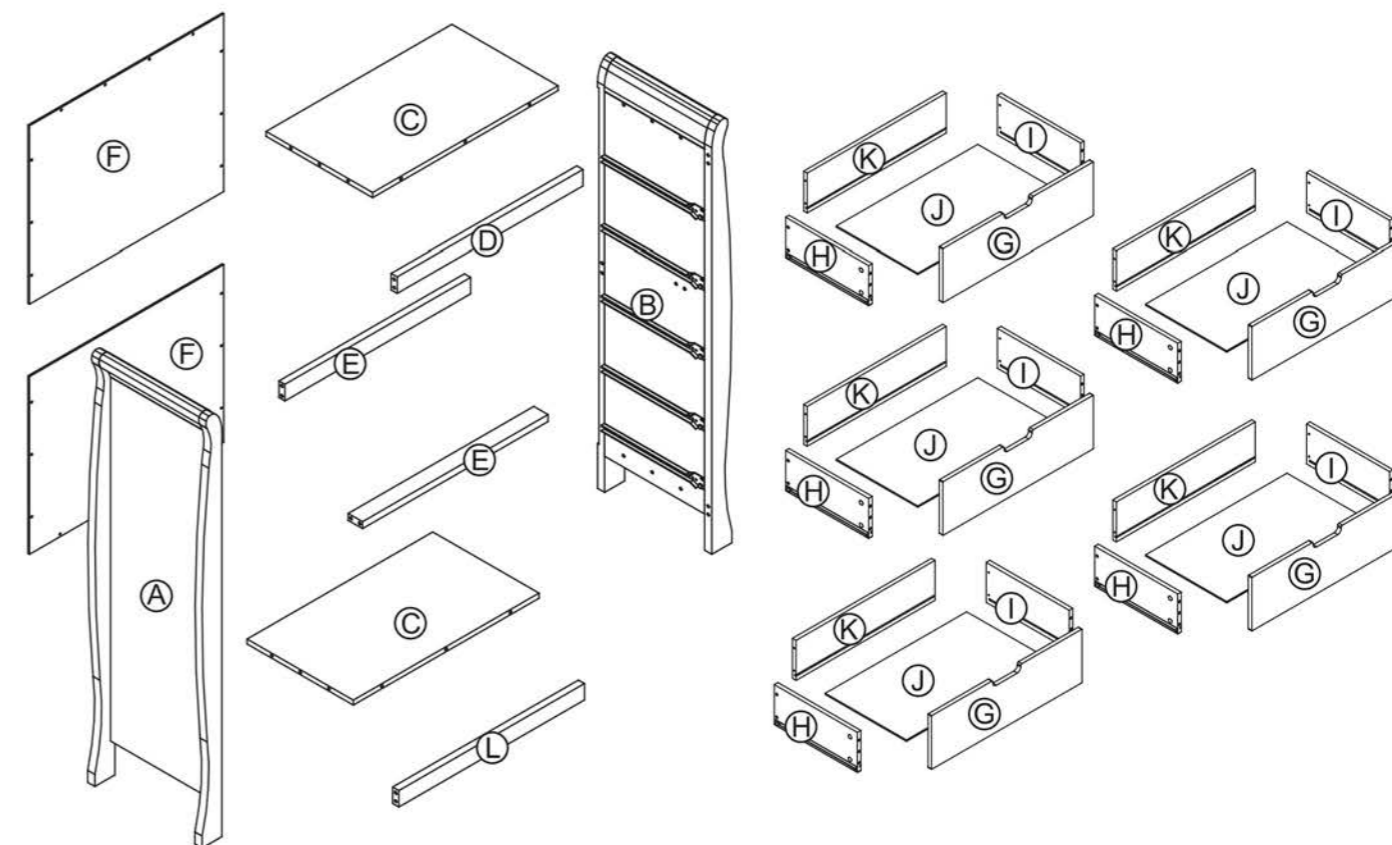
- ⚠ WARNING:** Installation shall be carried out exactly according to the manufacturers instructions – otherwise a safety risk can occur if incorrectly installed.
 - ⚠ WARNING:** Assembly should be carried out by a competent adult only.
 - ⚠ WARNING:** In order to prevent tipping this product must be used with the wall attachment devices provided. Serious or fatal crushing injuries can occur from furniture tipping over.
- Be aware of the risk of open fire and other sources of heat, such as electric bar fires, gas fires, etc. in the near vicinity of the tall chest of drawers.
 - Do not use the tall chest of drawers if any part is broken or missing. Use only spare parts approved by the manufacturer.
 - All assembly fittings should be tightened properly and care should be taken to ensure that no screws are loose, as a child could trap parts of the body, or clothing (e.g. ribbons, drawstrings, necklaces) this could lead to strangulation.








- Regularly check that all fittings and components of the tall chest of drawers are fully tightened and in working order.
- Wood is a natural material, the colour will darken with age.
- During assembly children should be kept away from the product due to possible risk of injury.

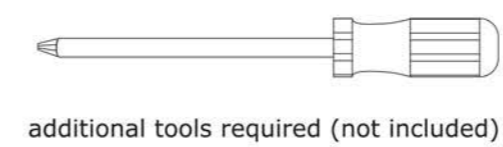
ROUTINE CARE & MAINTENANCE

- For cleaning, use only a mild detergent and warm water.
- DO NOT USE BLEACH.
- DO NOT USE any abrasive substances.
- Take care when handling or moving furniture, careless handling can damage wooden furniture.

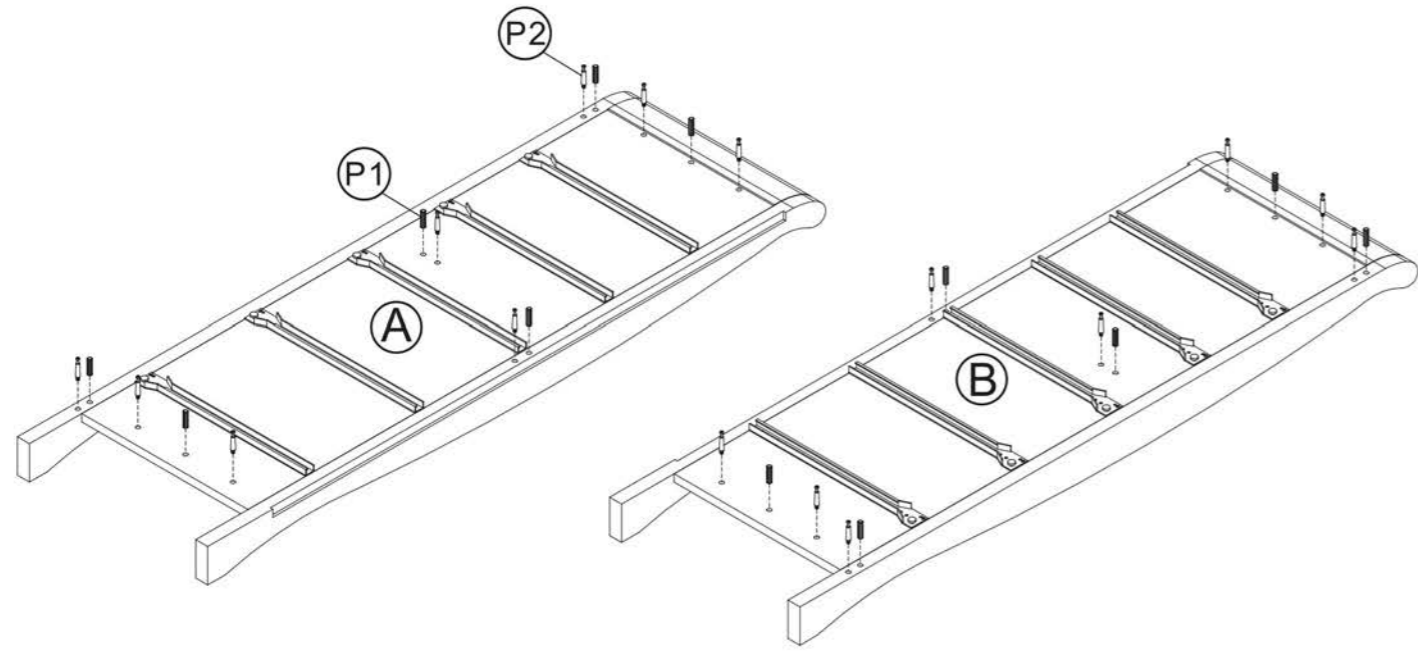
Due to constant updating and improvements, some components may occasionally differ slightly from the images shown in these instructions. We reserve the rights to change the specifications of any products without prior notice. If you need any assistance please contact your Obaby retailer from whom you purchased your product, who will take appropriate action.



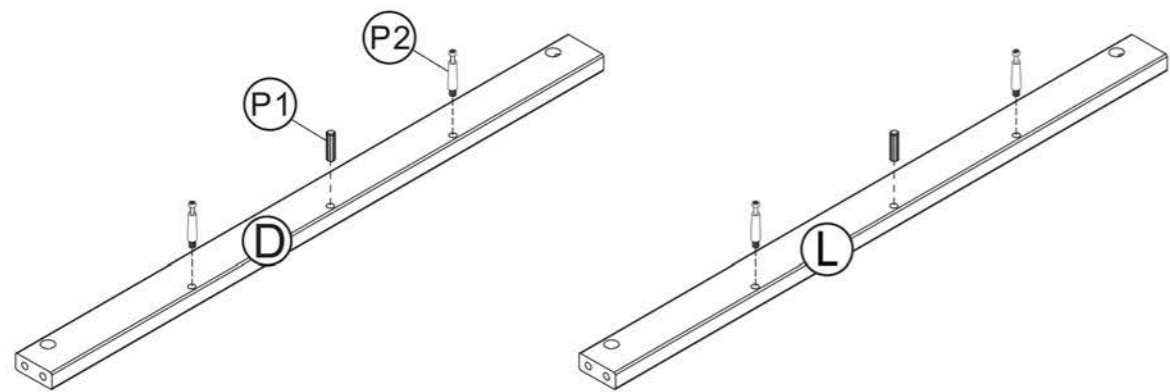
P1  X24	P2  X40	P3  X40	P4  12mm X24	P5  30mm x20
P6  20mm X2	P7  X2			



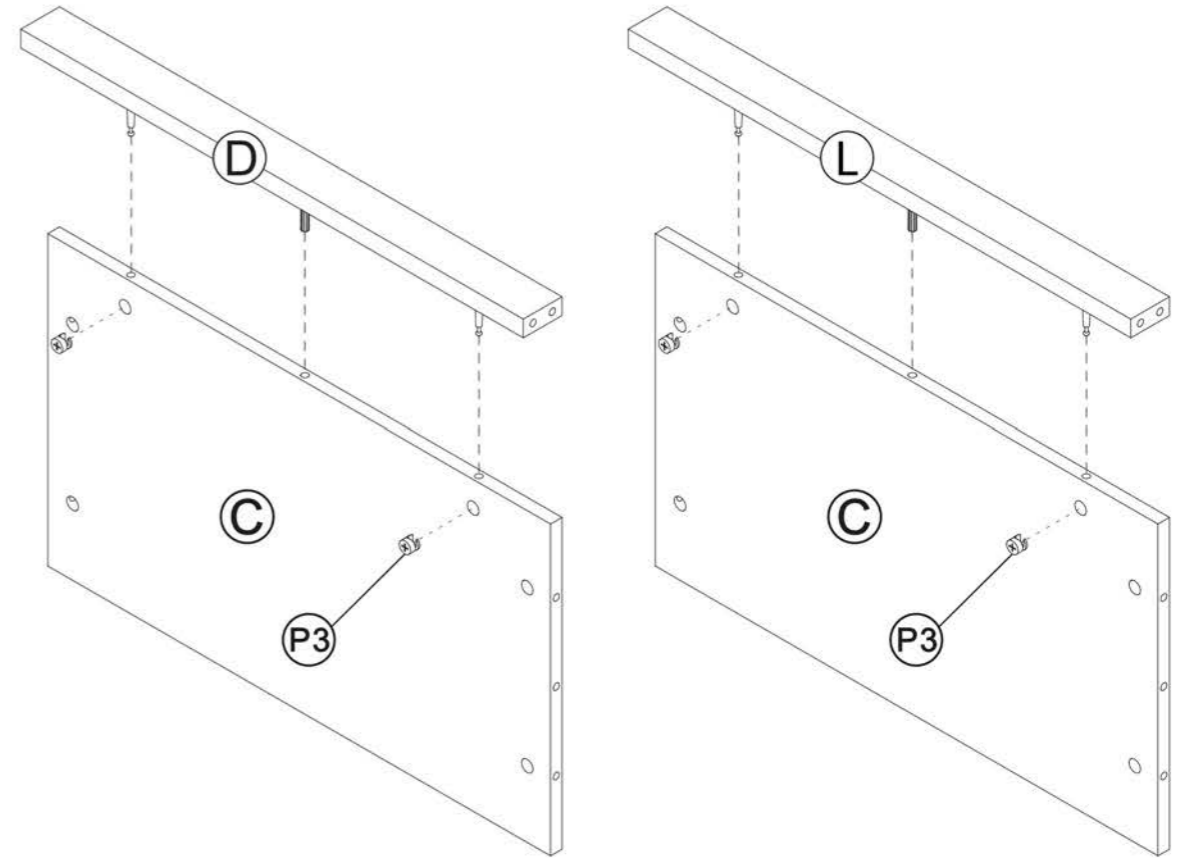
Stage 1



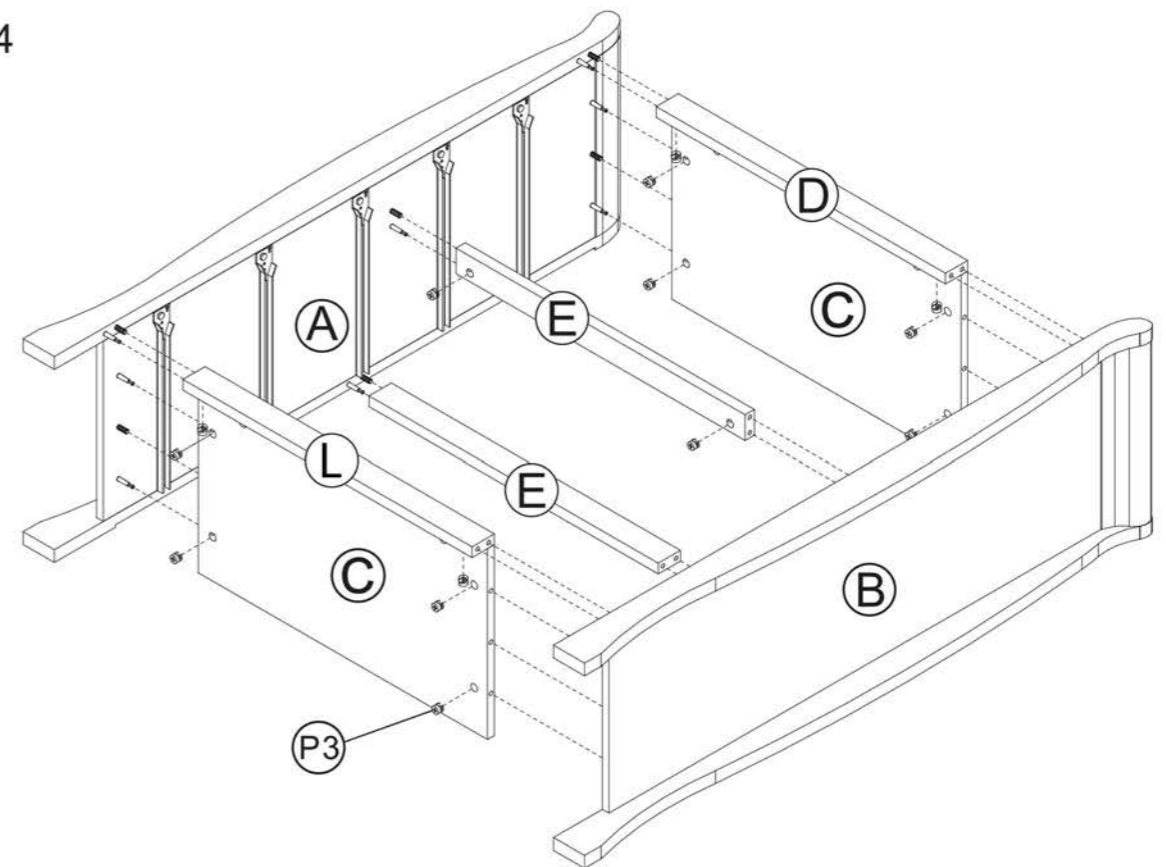
Stage 2



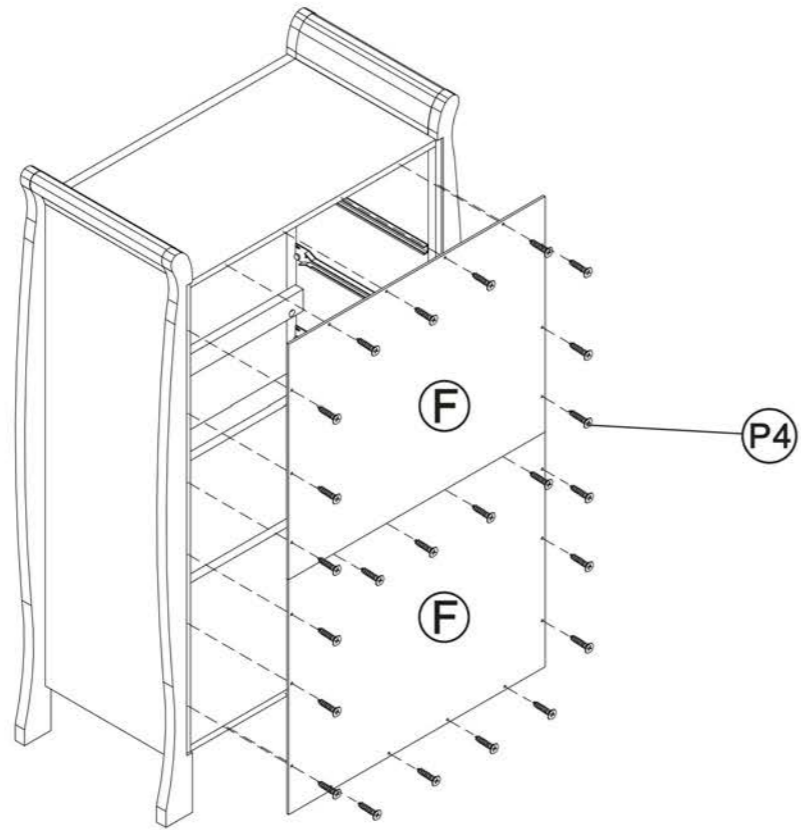
Stage 3



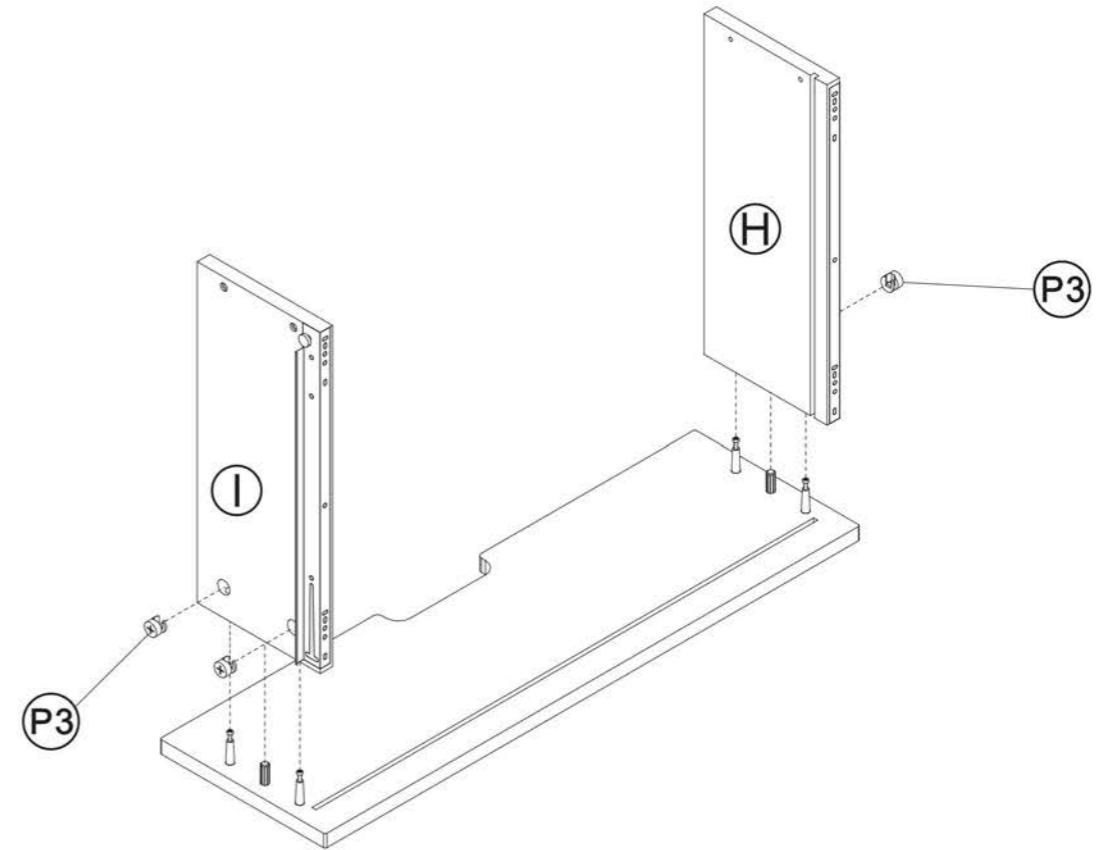
Stage 4



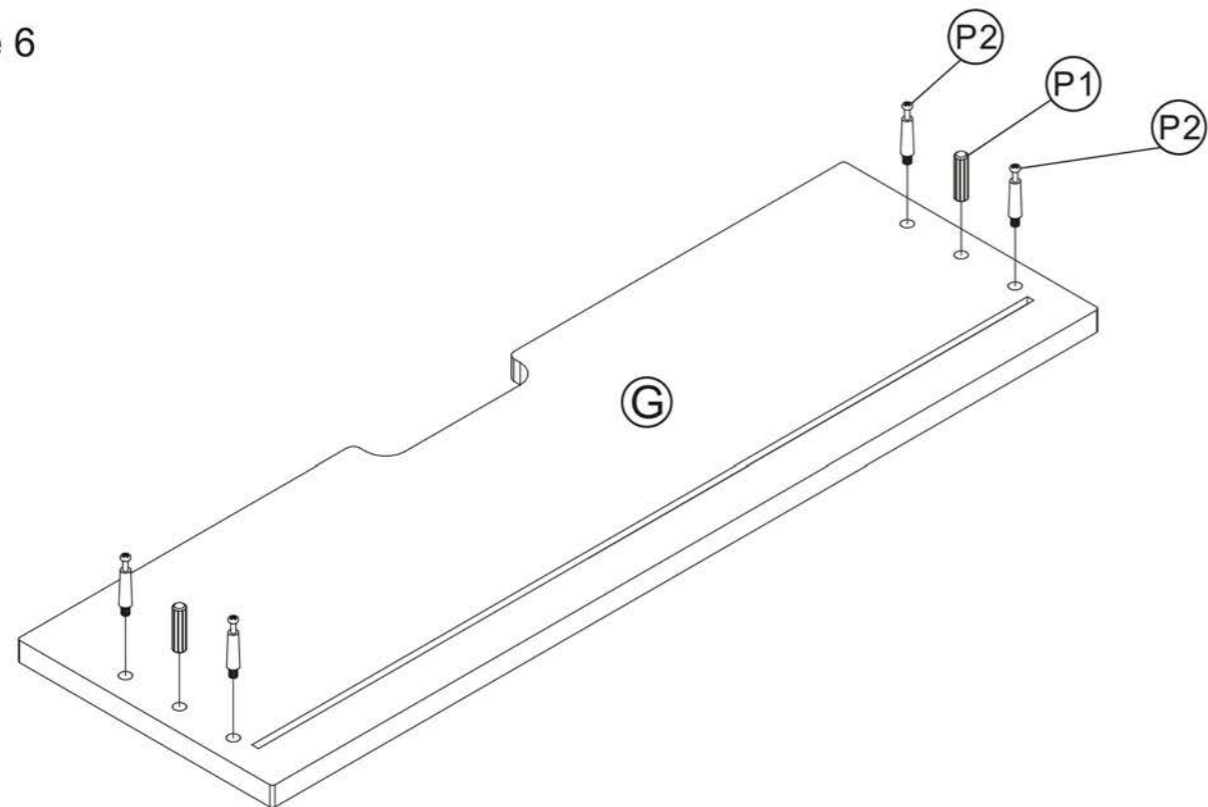
Stage 5



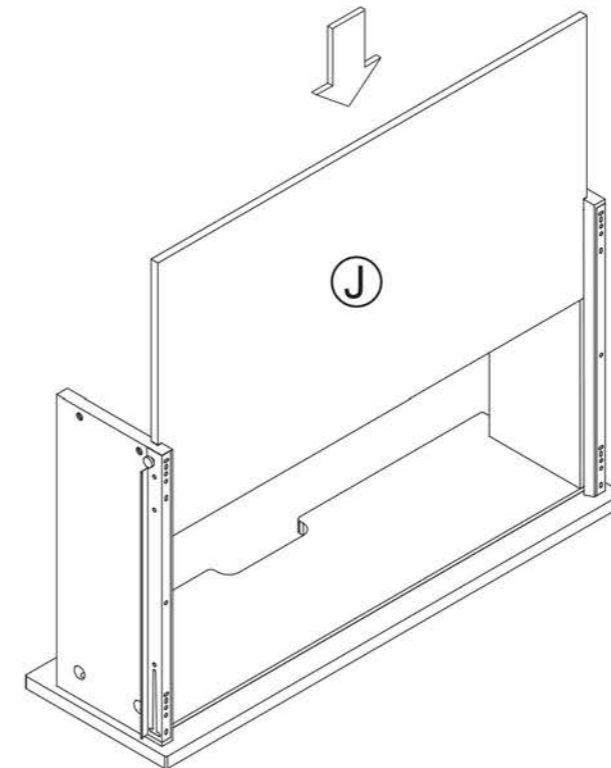
Stage 7



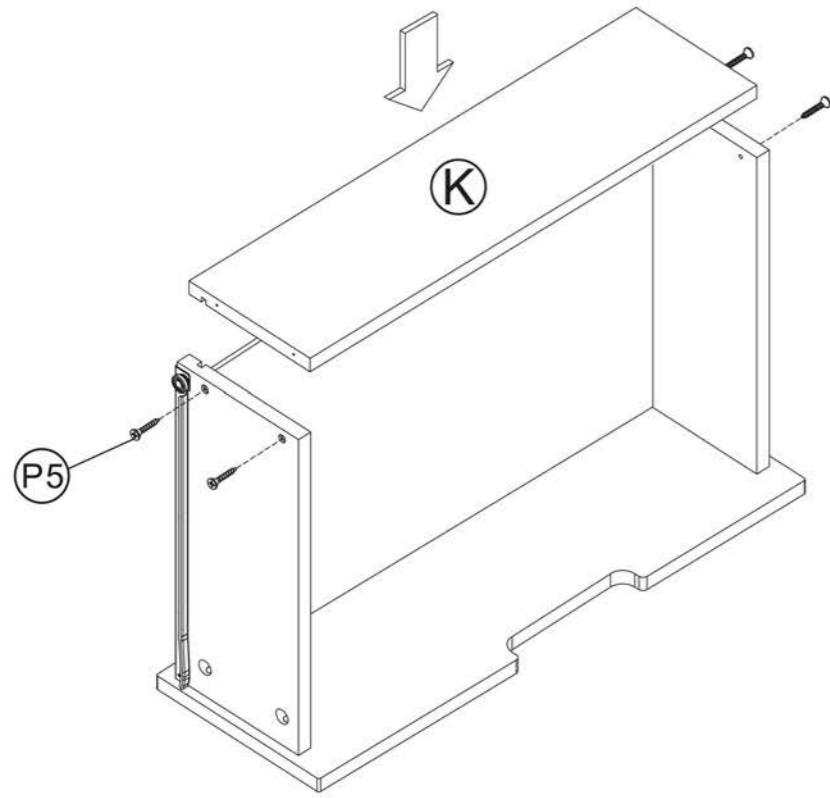
Stage 6



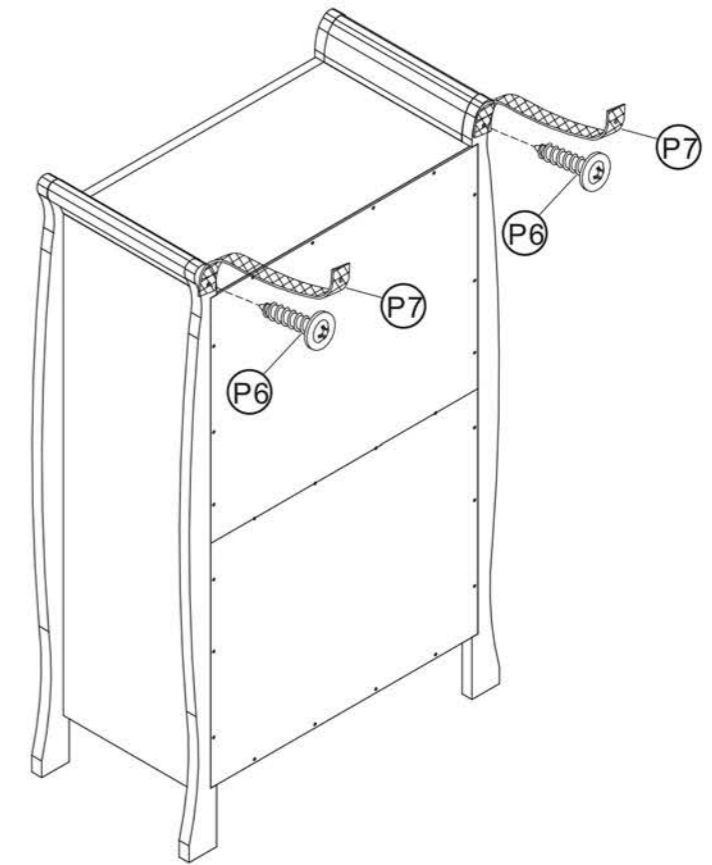
Stage 8



Stage 9

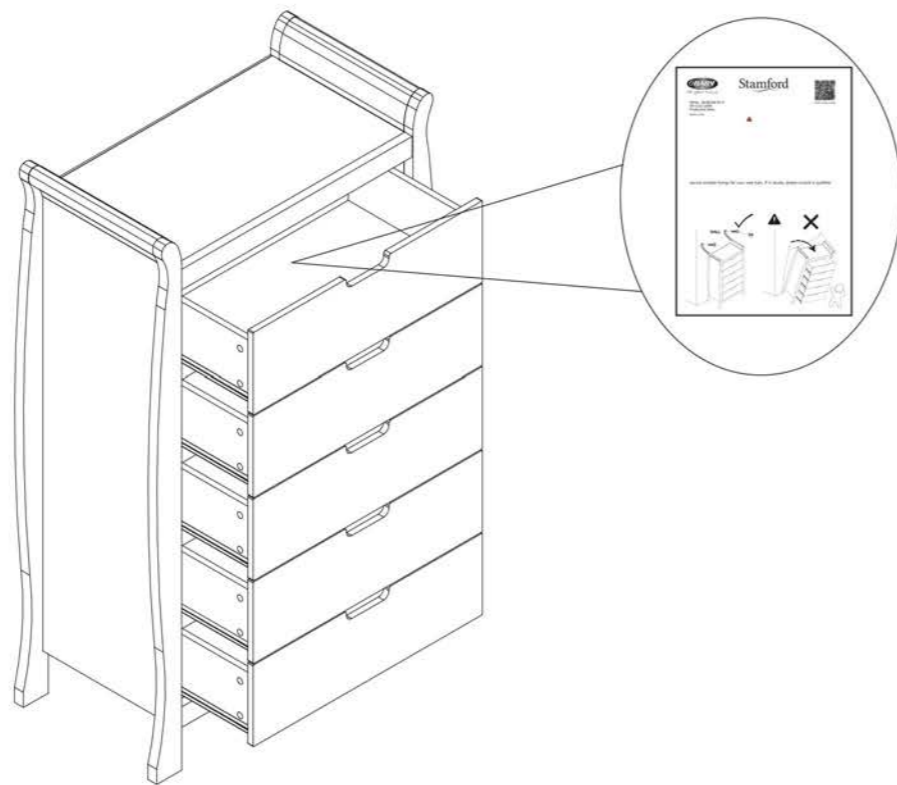


Stage 11

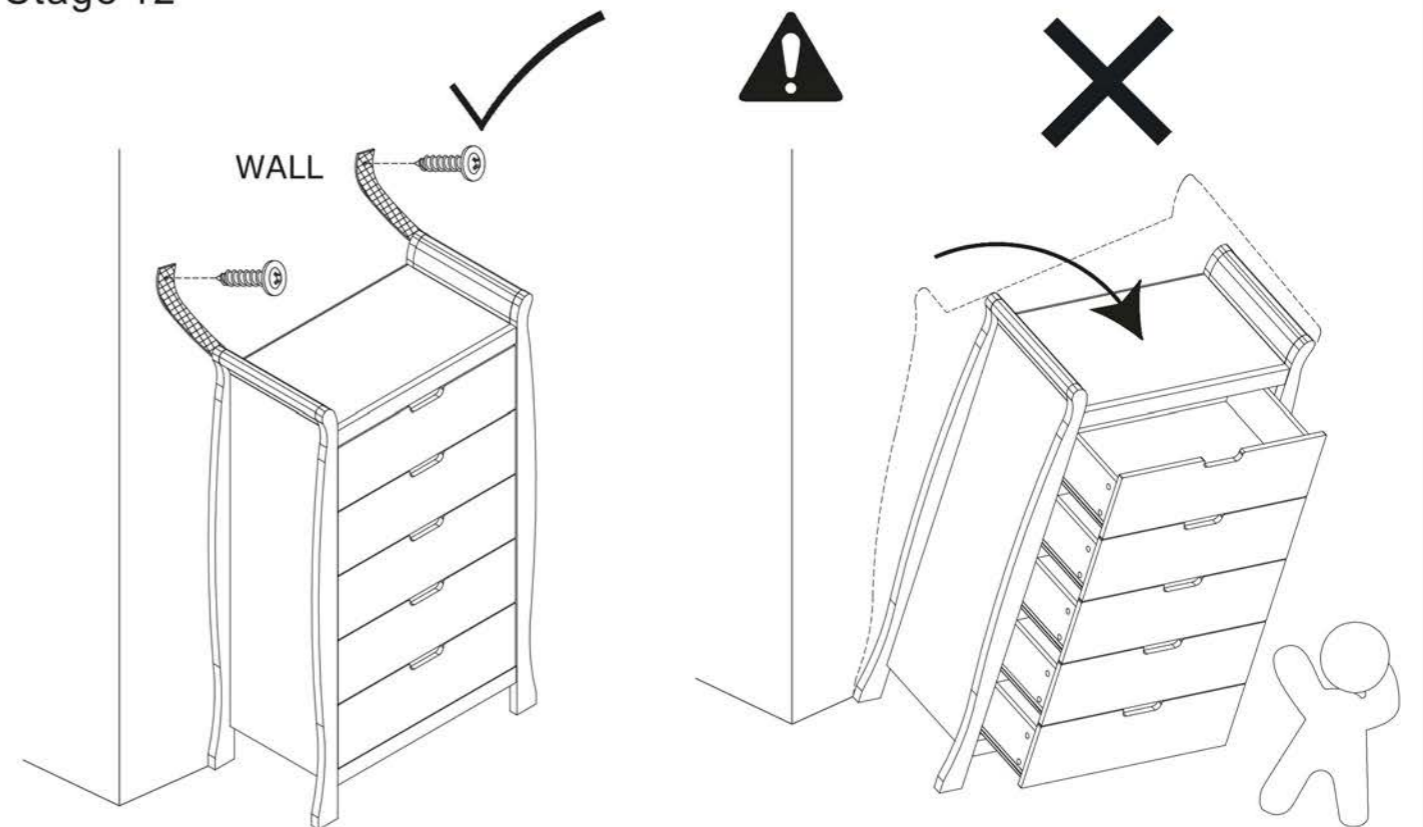


Stage 10

TOP DRAWER MUST HAVE WARNING LABEL ON



Stage 12



 **WARNING!**

IN ORDER TO PREVENT TIPPING THIS PRODUCT MUST BE USED WITH THE WALL ATTACHMENT DEVICES PROVIDED.

Serious or fatal crushing injuries can occur from furniture tipping over. To help prevent tipping:

- Use the wall attachment devices provided
- Never allow children to climb or hang on drawers, doors or shelves
- Place heaviest items in the lower drawers or shelves
- Do not set TVs or other heavy objects on top of this product
- Never open more than one drawer at a time

Attachment devices are provided with your product, however you will need to source suitable fixings for your wall type. If in doubt, please consult a qualified tradesperson.

Always ensure the wall to be drilled is free from hidden electrical wires, water and gas pipes.

#obabyUK



More info

