



US Assembled and US Quality Controlled  
with US and North American Components!



# AVORA DOORS



512-522-2284



[www.AvaraDoors.com](http://www.AvaraDoors.com)



[info@AvaraDoors.com](mailto:info@AvaraDoors.com)



+1 908 930 7894



1309 Ave H, Grand Prairie, TX 75050



B  
I  
F  
O  
L  
D

Avora Doors retrofit bi fold door turns your standard patio door into a bi fold door in a quickly and timely manner. The door can be stacked inside or outside depending on the scope of the project and space available.



STANDARD FEATURES

- ⇒ Aluminum Frame
- ⇒ Thermal Break Glass
- ⇒ Thermal Break Frame
- ⇒ Argon Gas Filled Glass
- ⇒ Double Pane
- ⇒ German Hardware
- ⇒ Triple Point Locking System
- ⇒ Retrofit Kit

OPTIONS

- ⇒ Big screen
- ⇒ Tint
- ⇒ Smart tint
- ⇒ Electronic door system with remote
- ⇒ 3M Safety Series Film **3M**

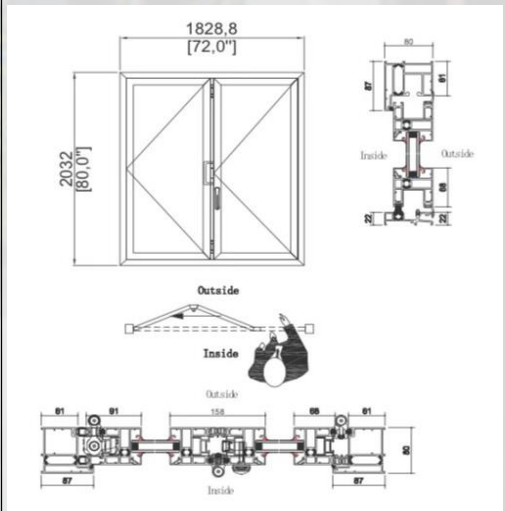
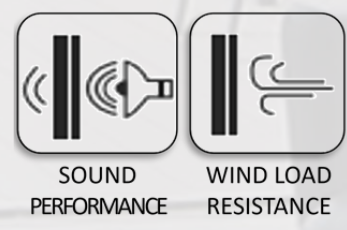
A  
V  
O  
R  
A  
D  
O  
O  
R  
S

SIZES AVAILABLE

- ⇒ 72" x 80"
- ⇒ 96" x 80"
- ⇒ Custom available

COLORS AVAILABLE

- ⇒ White
- ⇒ Black
- ⇒ Custom available



B  
I  
F  
O  
L  
D

Avora Doors custom bi fold door turns your standard patio door into a bi fold door in a quickly and timely manner. The door can be stacked inside or outside depending on the scope of the project and space available.



STANDARD FEATURES

- ⇒ Aluminum Frame
- ⇒ Thermal Break Glass
- ⇒ Thermal Break Frame
- ⇒ Argon Gas Filled Glass
- ⇒ Double Pane

- ⇒ German Hardware
- ⇒ Triple Point Locking System
- ⇒ Retrofit Kit

OPTIONS

- ⇒ Big screen
- ⇒ Tint
- ⇒ Smart tint
- ⇒ Electronic door system with remote
- ⇒ 3M Safety Series Film **3M**

SIZES AVAILABLE

- ⇒ Custom available

COLORS AVAILABLE

- ⇒ White
- ⇒ Black
- ⇒ Custom available



WATER TIGHTNESS

HEAT INSULATION



PREVENT MIST



AIR TIGHTNESS



SOUND PERFORMANCE



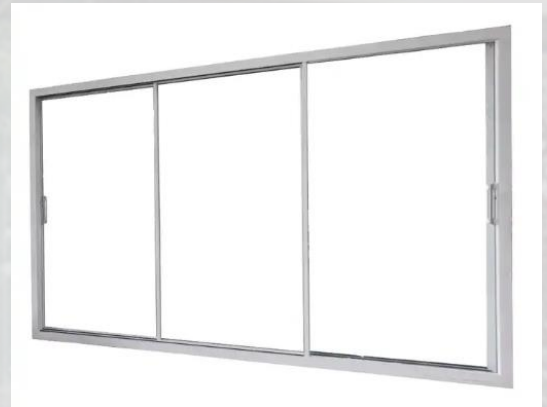
WIND LOAD RESISTANCE



A  
V  
O  
R  
A  
D  
O  
O  
R  
S

S  
L  
I  
D  
I  
N  
G

Avora Doors Uni Sliding Doors give you the luxury to slide all the doors to any side! We even have the option to create a pocket in the wall so you can hide the sliding doors in the wall!



## STANDARD FEATURES

- ⇒ Aluminum Frame
- ⇒ Thermal Break Glass
- ⇒ Thermal Break Frame
- ⇒ Argon Gas Filled Glass
- ⇒ Double Pane
- ⇒ German Hardware
- ⇒ Triple Point Locking System
- ⇒ Retrofit Kit

## OPTIONS

- ⇒ Big screen
- ⇒ Tint
- ⇒ Smart tint
- ⇒ Electronic door system with remote
- ⇒ 3M Safety Series Film **3M**

A  
V  
O  
R  
A  
  
D  
O  
O  
R  
S

## SIZES AVAILABLE

- ⇒ Custom available

## COLORS AVAILABLE

- ⇒ White
- ⇒ Black
- ⇒ Custom available



**WATER TIGHTNESS**



**HEAT INSULATION**



**PREVENT MIST**



**AIR TIGHTNESS**



**SOUND PERFORMANCE**



**WIND LOAD RESISTANCE**

P  
I  
V  
O  
T

Avora pivot doors literally hinge from the bottom and top of a door instead of on the side and offer a very contemporary look. Heavy duty hinges are placed on the top and bottom of the door for effortless opening and closing.



**STANDARD FEATURES**

- ⇒ Aluminum Frame
- ⇒ Thermal Break Glass
- ⇒ Thermal Break Frame
- ⇒ Argon Gas Filled Glass
- ⇒ Double Pane
- ⇒ German Hardware
- ⇒ Triple Point Locking System
- ⇒ Retrofit Kit

**OPTIONS**

- ⇒ Big screen
- ⇒ Tint
- ⇒ Smart tint
- ⇒ Electronic door system with remote
- ⇒ 3M Safety Series Film **3M**

A  
V  
O  
R  
A  
  
D  
O  
O  
R  
S

**SIZES AVAILABLE**

- ⇒ Custom available

**COLORS AVAILABLE**

- ⇒ White
- ⇒ Black
- ⇒ Custom available



**WATER TIGHTNESS**



**HEAT INSULATION**



**PREVENT MIST**



**AIR TIGHTNESS**



**SOUND PERFORMANCE**



**WIND LOAD RESISTANCE**

P  
A  
N  
O  
R  
A  
M  
I  
C

Avora Doors custom panoramic door turns your standard patio door into a bi fold door in a quickly and timely manner. The door can be pivoted and stacked inside or outside depending on the scope of the project and space available.



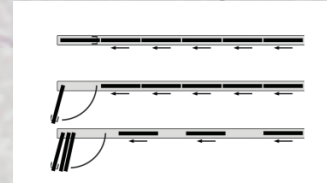
Pivot and Slide System

## STANDARD FEATURES

- ⇒ Aluminum Frame
- ⇒ Thermal Break Glass
- ⇒ Thermal Break Frame
- ⇒ Argon Gas Filled Glass
- ⇒ Double Pane
- ⇒ German Hardware
- ⇒ Triple Point Locking System
- ⇒ Retrofit Kit

## OPTIONS

- ⇒ Big screen
- ⇒ Tint
- ⇒ Smart tint
- ⇒ Electronic door system with remote
- ⇒ 3M Safety Series Film **3M**



## SIZES AVAILABLE

- ⇒ Custom available

## COLORS AVAILABLE

- ⇒ White
- ⇒ Black
- ⇒ Custom available

A  
V  
O  
R  
A  
  
D  
O  
O  
R  
S



WATER TIGHTNESS



HEAT INSULATION



PREVENT MIST



AIR TIGHTNESS



SOUND PERFORMANCE



WIND LOAD RESISTANCE

F  
R  
E  
N  
C  
H

The symmetrical design of Avora French doors, with multiple panes of glass and divided muntins, provides a beautiful architectural detail that can complement any interior or exterior design style.



STANDARD FEATURES

- ⇒ Aluminum Frame
- ⇒ Thermal Break Glass
- ⇒ Thermal Break Frame
- ⇒ Argon Gas Filled Glass
- ⇒ Double Pane
- ⇒ German Hardware
- ⇒ Triple Point Locking System
- ⇒ Retrofit Kit

OPTIONS

- ⇒ Big screen
- ⇒ Tint
- ⇒ Smart tint
- ⇒ Electronic door system with remote
- ⇒ 3M Safety Series Film **3M**

SIZES AVAILABLE

- ⇒ Custom available

COLORS AVAILABLE

- ⇒ White
- ⇒ Black
- ⇒ Custom available



WATER TIGHTNESS



HEAT INSULATION



PREVENT MIST



AIR TIGHTNESS



SOUND PERFORMANCE



WIND LOAD RESISTANCE

A  
V  
O  
R  
A  
  
D  
O  
O  
R  
S

B  
I  
F  
O  
L  
D

The exterior bi-folding window system is a product designed for customers who want wide window openings. The system opens like an accordion, making it perfect for connecting outside spaces such as patios and decks with inside spaces.



## STANDARD FEATURES

- ⇒ Aluminum Frame
- ⇒ Thermal Break Glass
- ⇒ Thermal Break Frame
- ⇒ Argon Gas Filled Glass
- ⇒ Double Pane
- ⇒ German Hardware
- ⇒ Triple Point Locking System
- ⇒ Retrofit Kit

## OPTIONS

- ⇒ Big screen
- ⇒ Tint
- ⇒ Smart tint
- ⇒ Electronic door system with remote
- ⇒ 3M Safety Series Film **3M**

## SIZES AVAILABLE

- ⇒ Custom available

## COLORS AVAILABLE

- ⇒ White
- ⇒ Black
- ⇒ Custom available

A  
V  
O  
R  
A  
  
D  
O  
O  
R  
S



WATER  
TIGHTNESS

HEAT  
INSULATION



PREVENT  
MIST



AIR  
TIGHTNESS



SOUND  
PERFORMANCE



WIND LOAD  
RESISTANCE

S  
L  
I  
D  
I  
N  
G

Avora Doors Uni Sliding Windows give you the luxury to slide all the doors to any side! We even have the option to create a pocket in the wall so you can hide the sliding doors in the wall!



## STANDARD FEATURES

- ⇒ Aluminum Frame
- ⇒ Thermal Break Glass
- ⇒ Thermal Break Frame
- ⇒ Argon Gas Filled Glass
- ⇒ Double Pane
- ⇒ German Hardware
- ⇒ Triple Point Locking System
- ⇒ Retrofit Kit

## OPTIONS

- ⇒ Big screen
- ⇒ Tint
- ⇒ Smart tint
- ⇒ Electronic door system with remote
- ⇒ 3M Safety Series Film **3M**

## SIZES AVAILABLE

- ⇒ Custom available

## COLORS AVAILABLE

- ⇒ White
- ⇒ Black
- ⇒ Custom available



WATER TIGHTNESS



HEAT INSULATION



PREVENT MIST



AIR TIGHTNESS



SOUND PERFORMANCE



WIND LOAD RESISTANCE

A  
V  
O  
R  
A  
D  
O  
O  
R  
S

S  
L  
I  
D  
E  
  
U  
P

Avora Slide Up Window uses our bi fold track to slide up and down as desired. The unique slashes are a balance of creative hinges, balance systems, guides locks and seals. This entertainer's delight of a window is easily installed by almost any handyman in less than an hour.



### STANDARD FEATURES

- ⇒ Aluminum Frame
- ⇒ Thermal Break Glass
- ⇒ Argon Gas Filled Glass
- ⇒ Double Pane
- ⇒ German Hardware
- ⇒ Triple Point Locking System
- ⇒ Retrofit Kit

### OPTIONS

- ⇒ Big screen
- ⇒ Tint
- ⇒ Smart tint
- ⇒ Electronic door system with remote
- ⇒ 3M Safety Series Film **3M**

### SIZES AVAILABLE

- ⇒ Custom available

### COLORS AVAILABLE

- ⇒ White
- ⇒ Black
- ⇒ Custom available



WATER TIGHTNESS



HEAT INSULATION



PREVENT MIST



AIR TIGHTNESS



SOUND PERFORMANCE



WIND LOAD RESISTANCE

A  
V  
O  
R  
A  
  
D  
O  
O  
R  
S

P  
O  
P  
U  
P

Avora Pop Up Window swings out and up using hinges mounting to a top support frame. Gas shocks open the window automatically and then lock it into place at 90 degrees. This entertainer's delight of a window is easily installed by almost any handyman in less than an hour.



## STANDARD FEATURES

- ⇒ Aluminum Frame
- ⇒ Thermal Break Glass
- ⇒ Thermal Break Frame
- ⇒ Argon Gas Filled Glass
- ⇒ Double Pane
- ⇒ German Hardware
- ⇒ Triple Point Locking System
- ⇒ Retrofit Kit

## OPTIONS

- ⇒ Big screen
- ⇒ Tint
- ⇒ Smart tint
- ⇒ Electronic door system with remote
- ⇒ 3M Safety Series Film **3M**

## SIZES AVAILABLE

- ⇒ Custom available

## COLORS AVAILABLE

- ⇒ White
- ⇒ Black
- ⇒ Custom available

A  
V  
O  
R  
A  
  
D  
O  
O  
R  
S



WATER TIGHTNESS



HEAT INSULATION



PREVENT MIST



AIR TIGHTNESS



SOUND PERFORMANCE

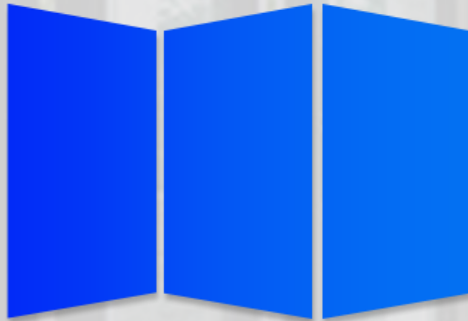


WIND LOAD RESISTANCE



**VETERAN**  
**OWNED BUSINESS**

US Assembled and US Quality  
Controlled with US and North  
American Components!



# AVORA DOORS



We Ship Worldwide!!



512-522-2284



[www.AvoraDoors.com](http://www.AvoraDoors.com)



[info@AvoraDoors.com](mailto:info@AvoraDoors.com)



+1 908 930 7894



1309 Ave H, Grand Prairie, TX 75050