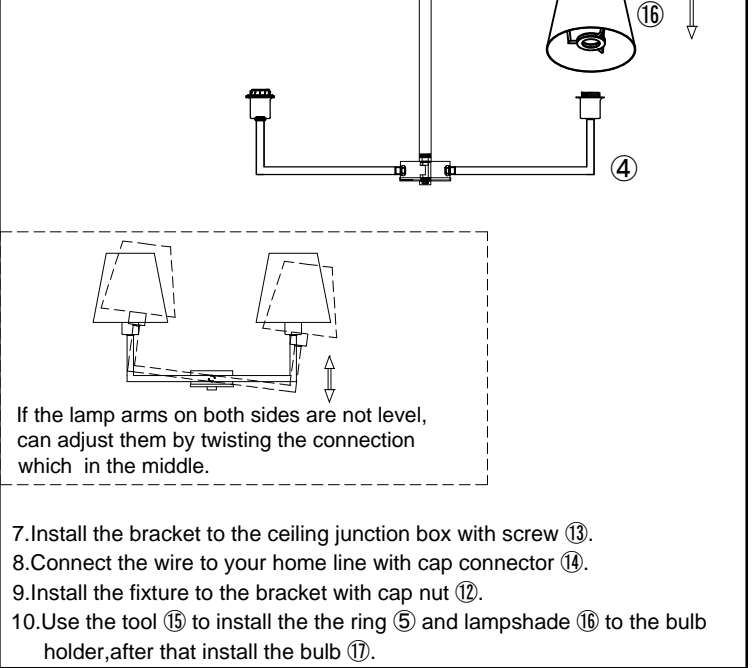
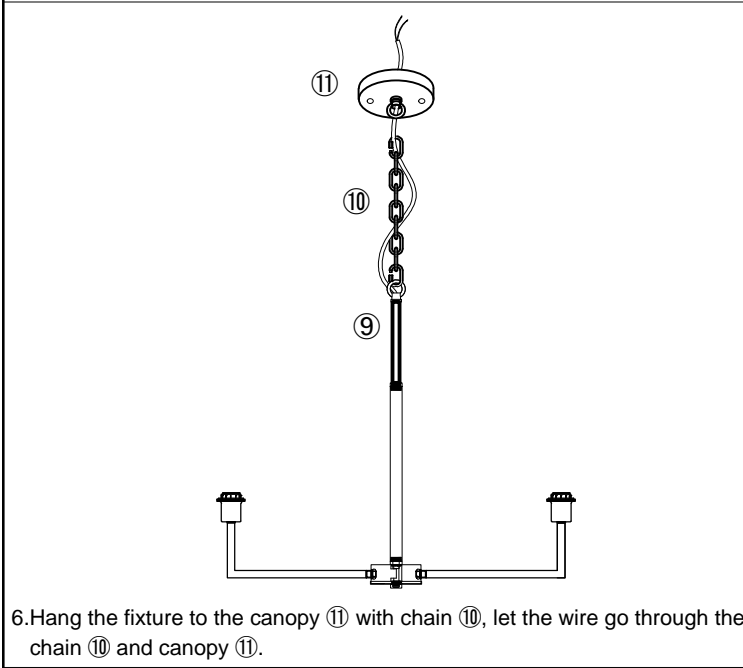
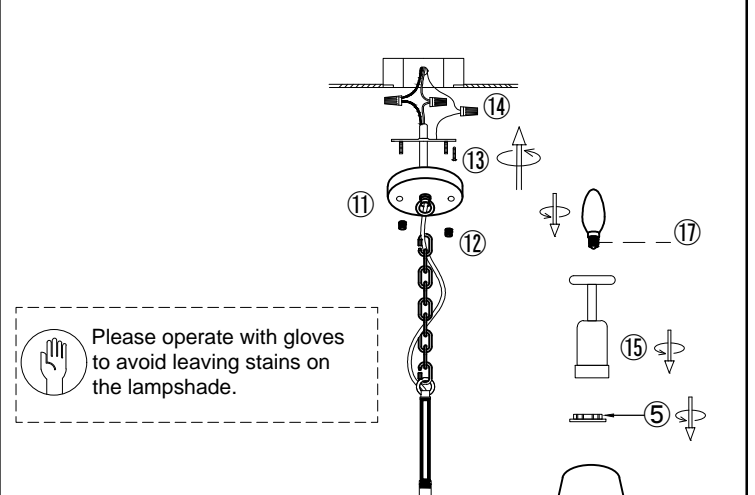
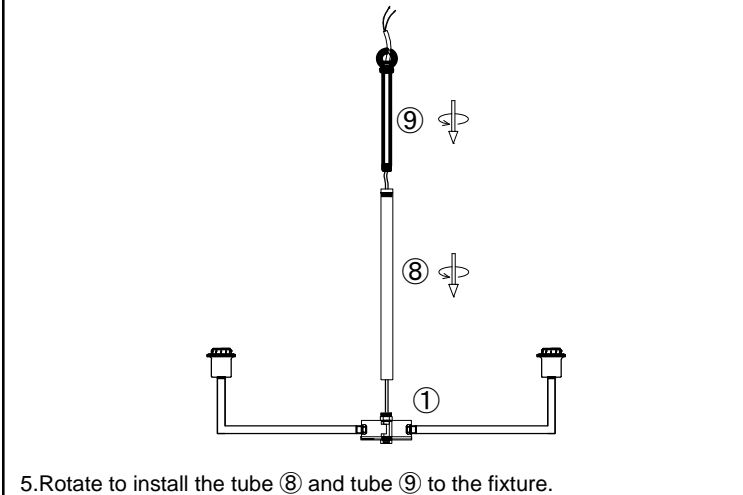
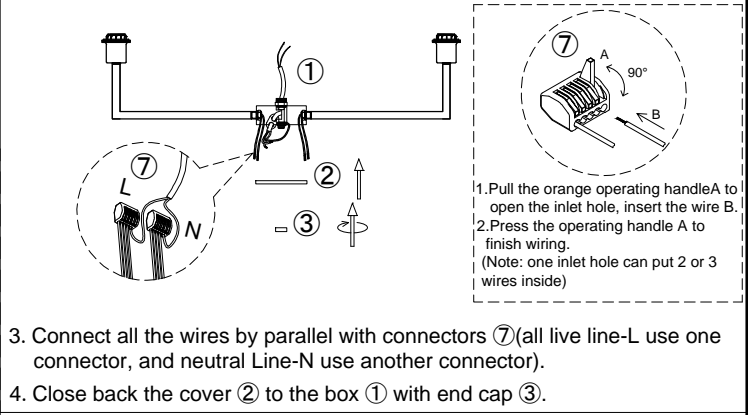
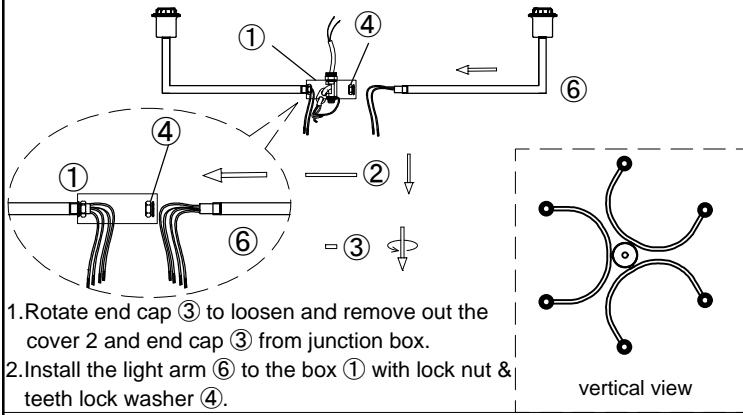


① ② ③	<p>① connected box ② cover ③ end cap</p> <p>junction box 1pcs</p>	⑦	<p>splicing connector 2pcs</p>	⑨	<p>hanging tube 1pcs</p>	⑮	<p>tool 1pcs</p>	X 1pcs X 3pcs	X 3pcs
④ ⑤ ⑥	<p>④ lock nut & teeth lock washer ⑤ socket ring ⑥ light arm 3pcs</p>			⑧	<p>hanging tube 1pcs</p>	⑩	<p>chain 1pcs</p>	⑯	<p>lampshade 6pcs</p>
		⑪	<p>⑪ canopy</p>			⑫	<p>⑫ cap nut</p>		



Please read carefully before installation!!!
 Note : Please make sure that the electricity is powered off during installation !
 Only a professional electrician should install this kind of product !