





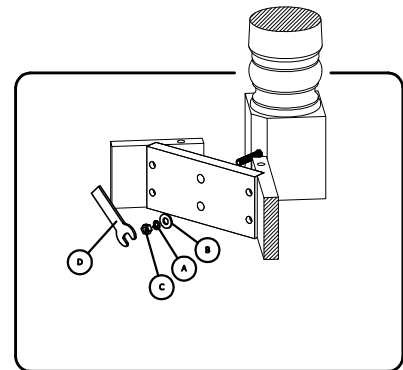
ASSEMBLY INSTRUCTIONS & PARTS IDENTIFICATION

SQUARE COUNTER HEIGHT TABLE

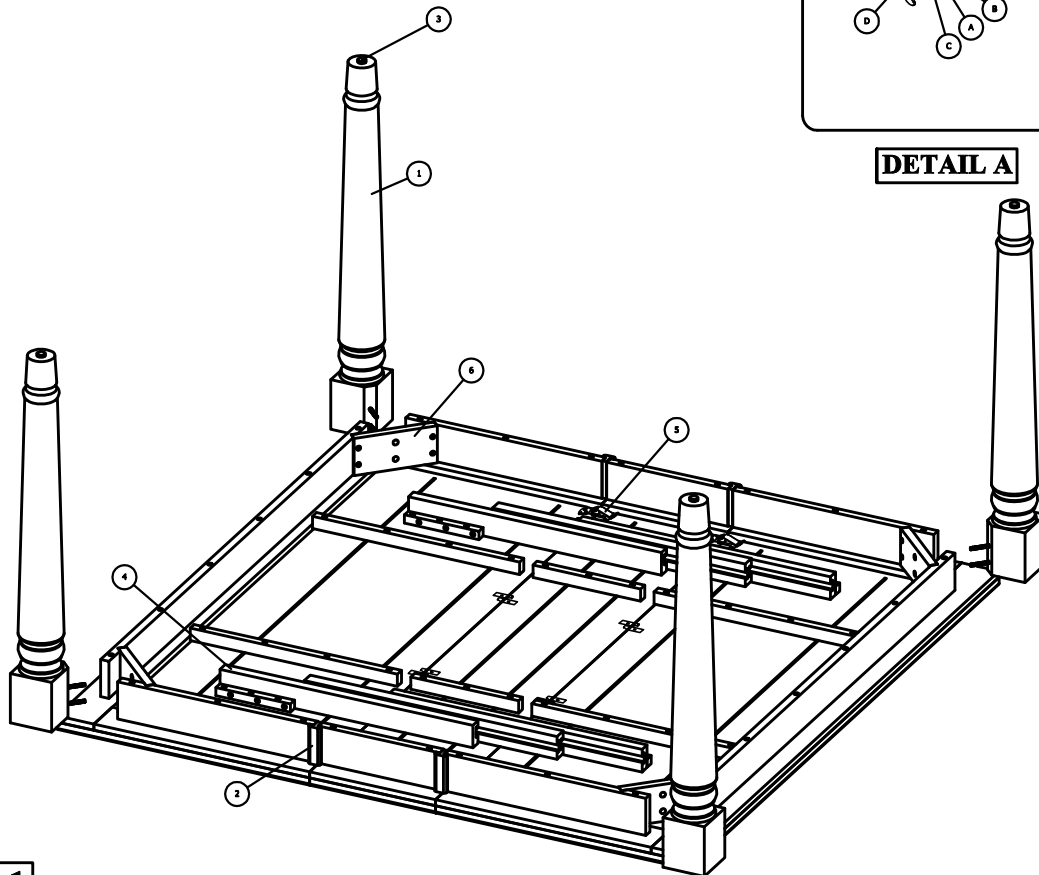
Thank you for purchasing this quality product. Be sure to check all packing material carefully for small parts that may have come loose inside the carton during shipment.

Hardware kit			
No		Description	Q'Ty
A		Lock Washer Ø8	8 pcs
B		Flat Washer Ø8	8 pcs
C		Nut ØM8	8 pcs
D		Key wrench	1 pc

Key Parts			
No		Description	Q'Ty
1		Table Leg	4 pcs
2		Apron Spacer	4 pcs
3		Floor Glide	4 pcs
4		Extension Mechanism	1 pc
5		Extension Lock	4 pcs
6		Corner Block	4 pcs



DETAIL A



STEP 1

- Carefully lay Table Top upside down on a smooth flat surface to prevent scratches.
- Affix each Leg to each corner of the Table Top as shown in illustration. Insert a Flat Washer, Lock Washer and Nut on the bolts of each Leg
- Once all Legs are in place, fully tighten nuts by turning clockwise using provided Key Wrench until secure. (See Detail A)