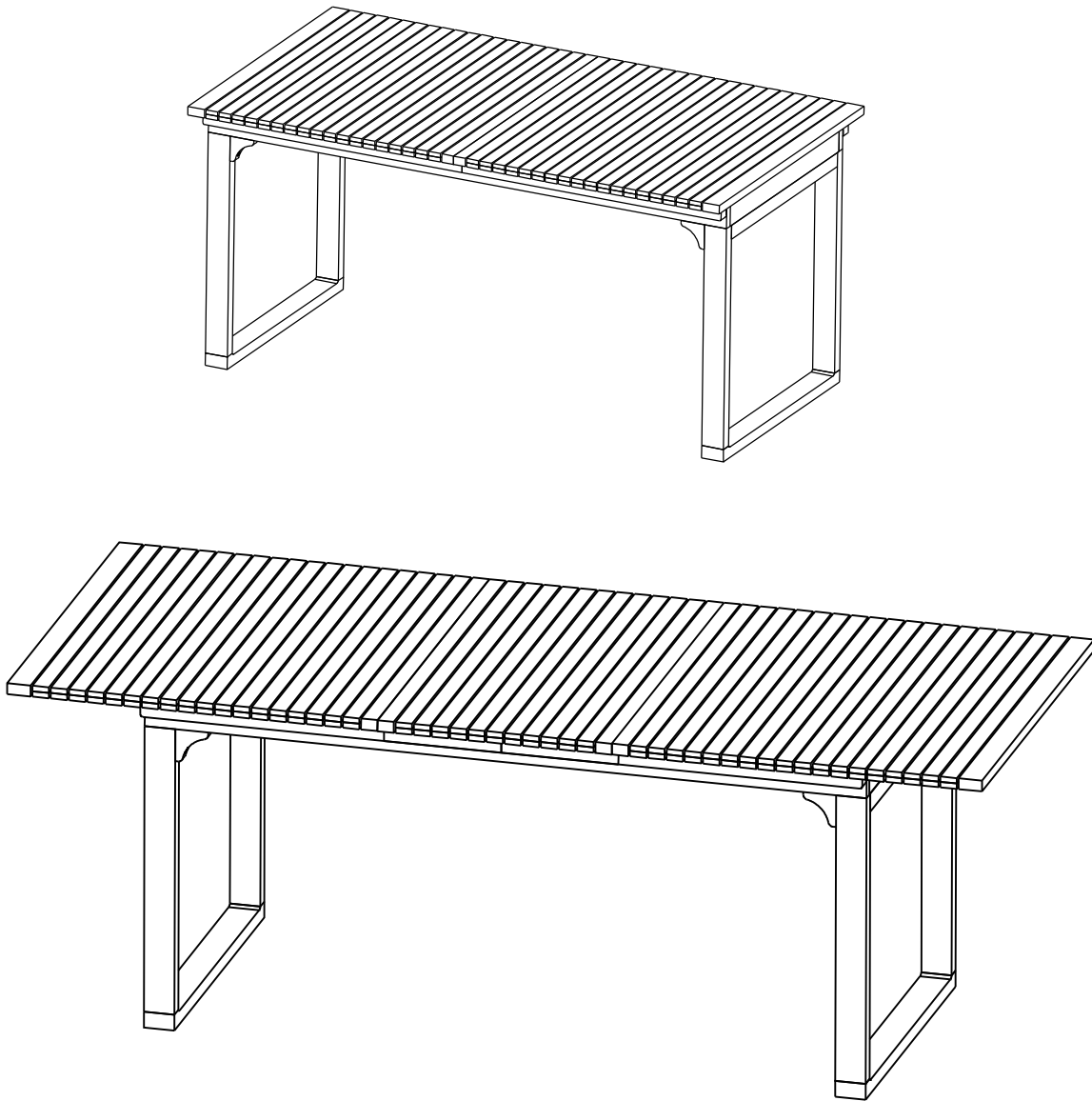


# Assembly Instruction

Caution : You must read this before you proceed.

## Extention Table

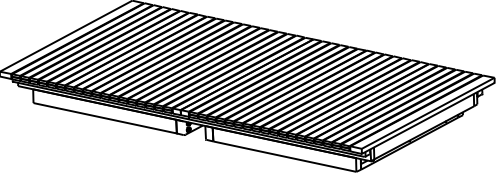
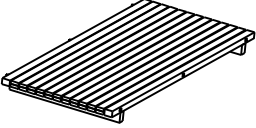
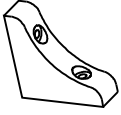


**Caution:** This Table is NOT a TOY.



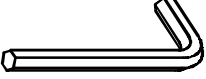
Keep your child/children at bay during the assembly process.

The Table and its parts are heavy, whenever lifting or moving them, two adults are needed to execute these actions.

## Parts List

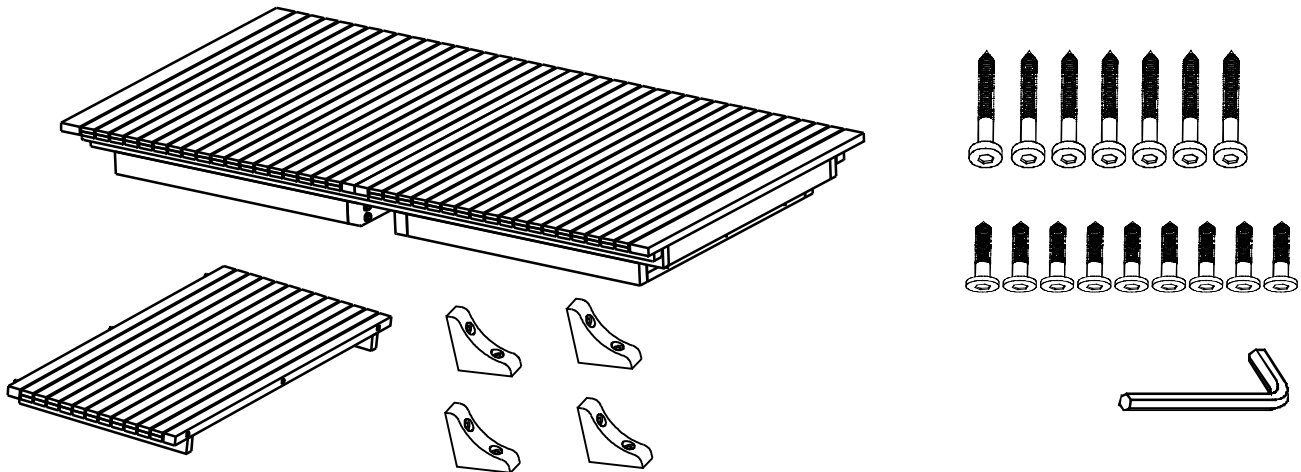
Label	Picture	Description	QTY
A		Table Top with Foldable Leg	1
B		Expansion Board of Table Top	1
C		Corner	4






## Hardware

Label	Picture	Description	QTY
①		Screw (M7x70mm)	7
②		Screw (M6x40mm)	9
③		Allen key	1

# Assembly Preparation

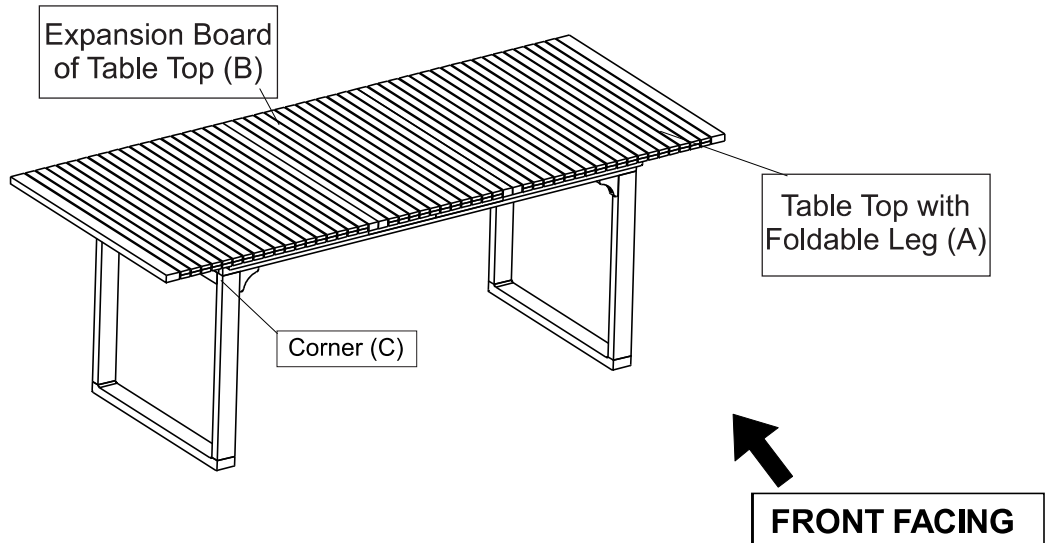
Before Beginning Assembly:



-  • Read instructions, cover to cover-
-  • Have 2 adults on hand for assembly-
-  • Do not assemble on flooring or carpet-
-  • Assemble on a clean non-marring surface (packing foam)-
-  • Save all packaging until finished-

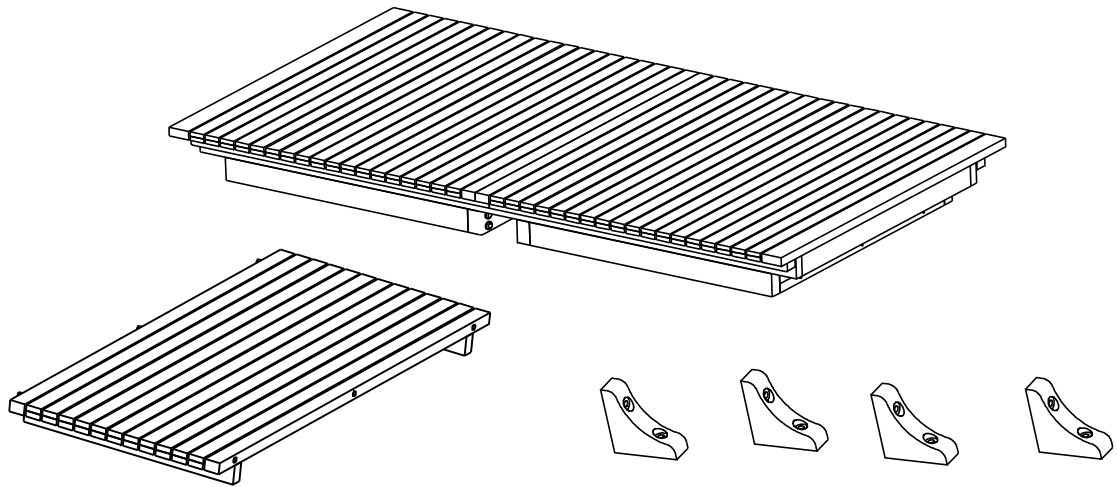
# Assembly Steps

## OVERVIEW



This Table has multiple parts and may require up to 30 minutes to assemble. To give you an overview of the Table parts, the above picture is to help you put the various parts into perspective. Please read through the instructions below to familiarise yourself with the parts and steps before assembly.

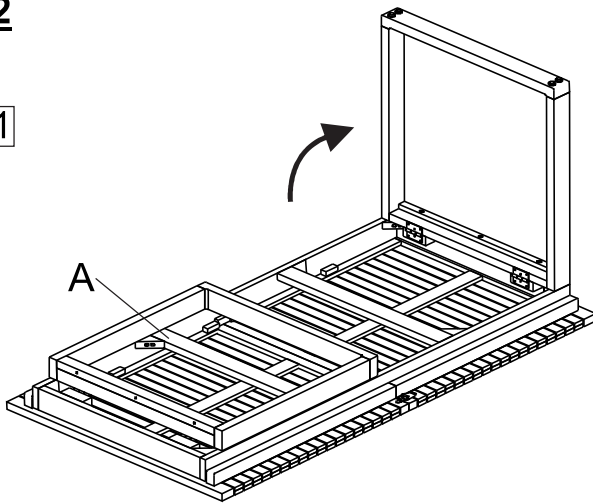
## Step 1



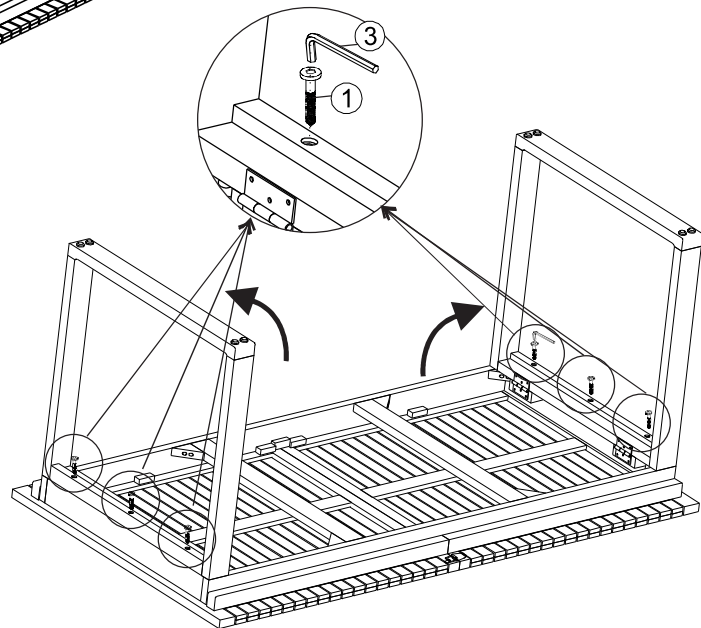
Unpack and place all parts on a clean, non-marring surface.

## Step 2

2.1



2.2



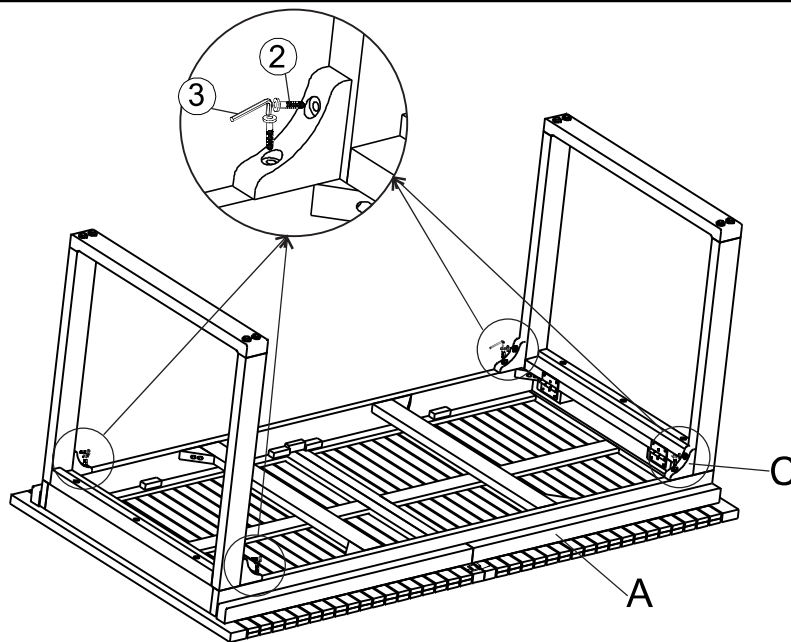
With assistance from your adult partner, carefully place the Table Top with Foldable Leg(A) facedown on a clean, non-marring surface.

2.1) Unfold the Right Foldable Leg in the direction of the arrow.

2.2) Attach Right Foldable Leg to Table Top using Screws(①) with Allen Key(②) as shown above.

Repeat the same process with Left Foldable Leg.

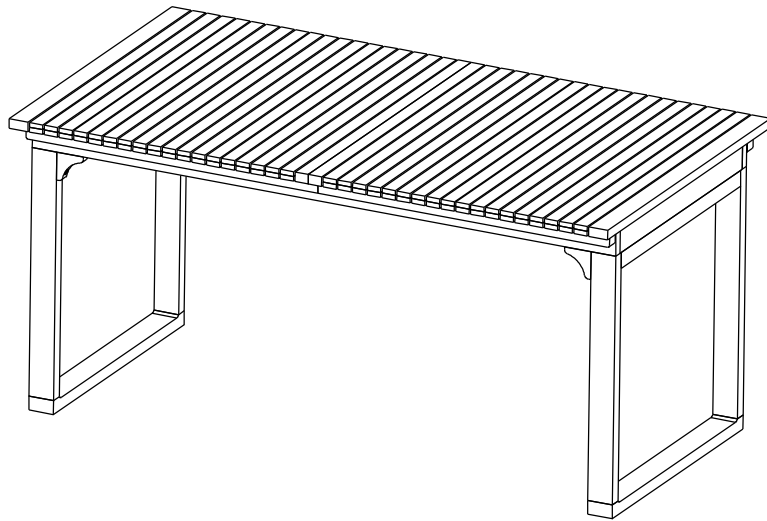
### **Step 3**



Attach Corners(C) to Table Top with Foldable Leg(A) using Screws(②) with Allen Key(③).

**Do not fully tighten the Screws.**

### **Step 4**



With assistance from your adult partner, carefully stand the Table up.  
Exert pressure floorwards, onto the Table with both your hands.  
This pressure will help the Legs and Table Top reach full alignment status.  
Check for wobbles on a LEVEL surface.  
If no wobbles are found proceed to tighten Bolts in a sequential manner, until evenly secured.

**When tightening Bolts tighten sequentially.**

**Do not tighten any Bolt fully and then move on towards the next one.**

**If there are still wobbles, loosen Bolts and execute the same above process.**

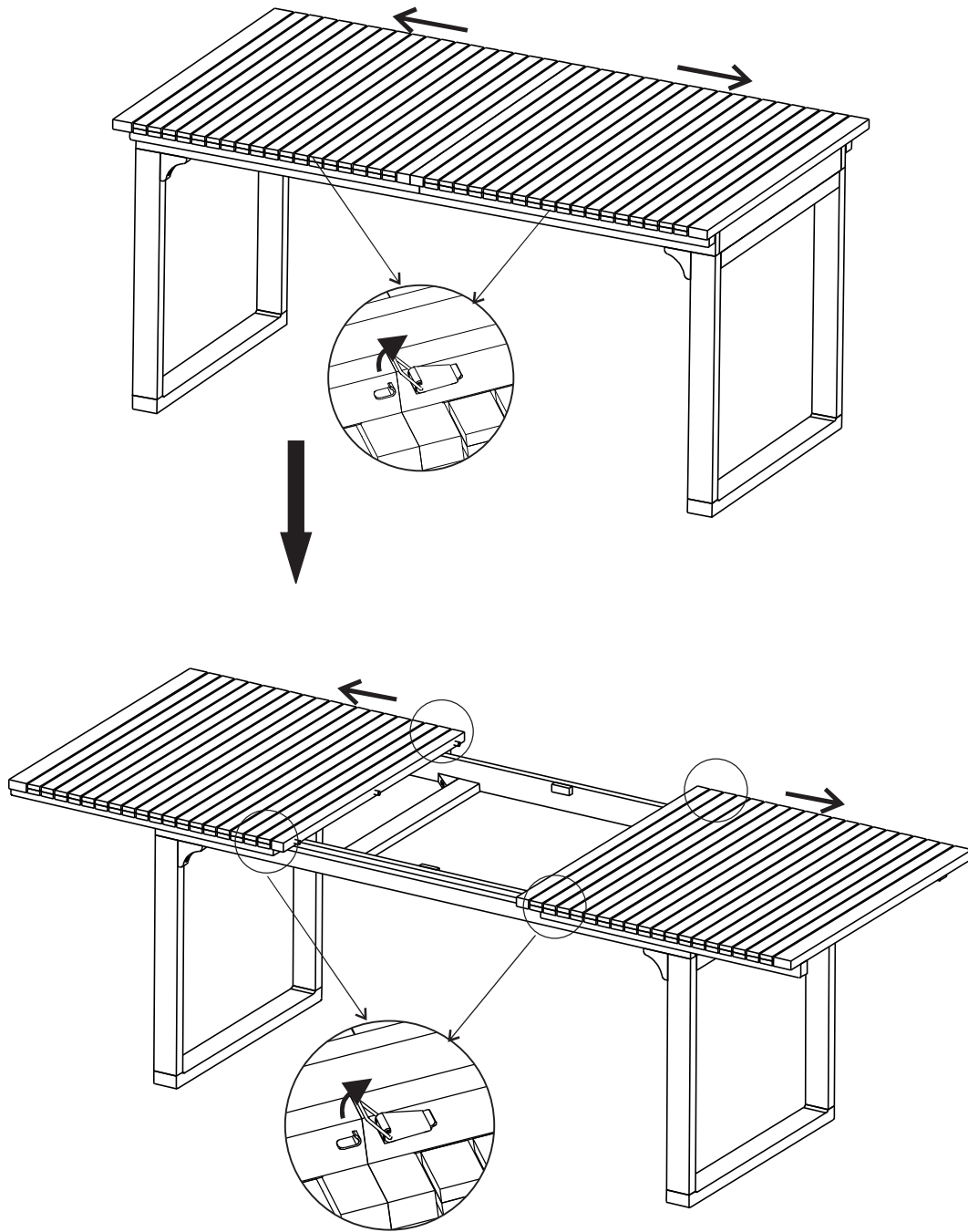
**If the Table is not Stable, it could lead to damage to the product.**

Your Table is ready for use.

**This Table can only be used on a flat, level surface.**

## Extention Steps:

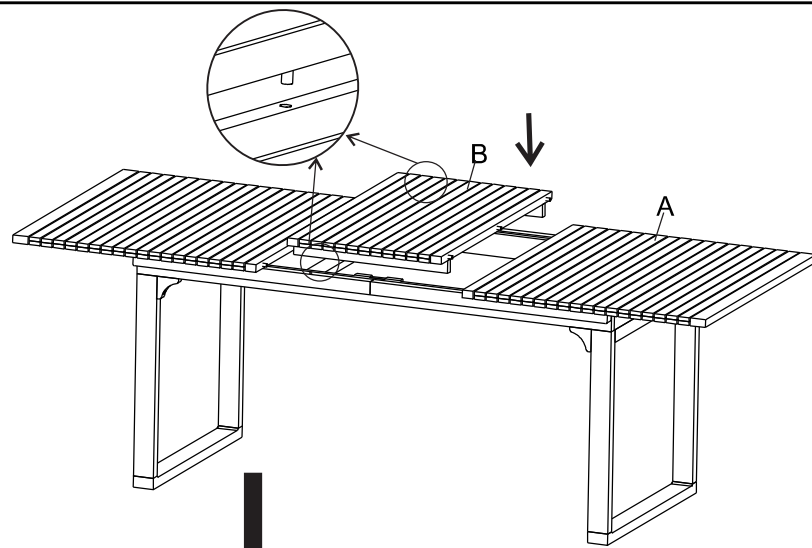
### Step 1



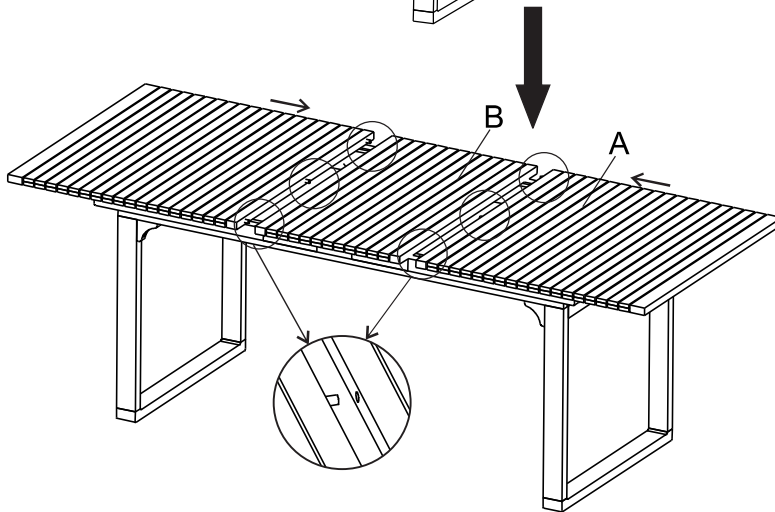
Unlock the Metal Fasteners under the Table Top(A).  
With assistance from your adult partner, gently pull the Top Table(A) outwards to open and stop when the Table Tops(A) reach the end.  
**Caution: Do not Lean on or apply pressure to the table when it is pulled open. This could cause damage to the product.**

## Step 2

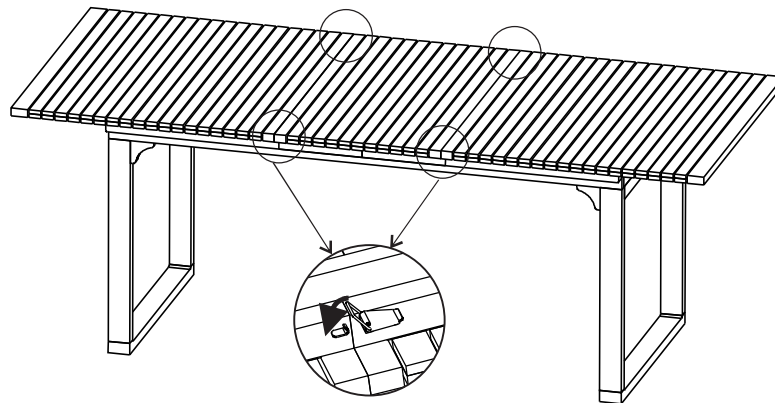
2.1



2.2



2.3



**2.1)** Put the Expansion Board of Table Top(B) in the middle of the Table until the iron pins of Expansion Board of Table Top(B) fits into the housing of Top Table with Foldable Leg(A).

**2.2)** With assistance from your adult partners, push the Table Tops inwards until the iron pins of Expansion Board of Table Top(B) fits in the holes of Top Table with Foldable Leg(A).

**Caution: Keep hands away from the Table Top with Foldable Leg(A) and Expansion Board of Table Top(B) when pushing the Table Top to avoid pinching hazards.**

If you can not push the Table Top(A) inwards, lightly shake the Table Top(A).

**2.3)** Lock the Metal Fasteners under the Table Top to lock the Expansion Board of Table Top(B) into place as shown in the above picture.

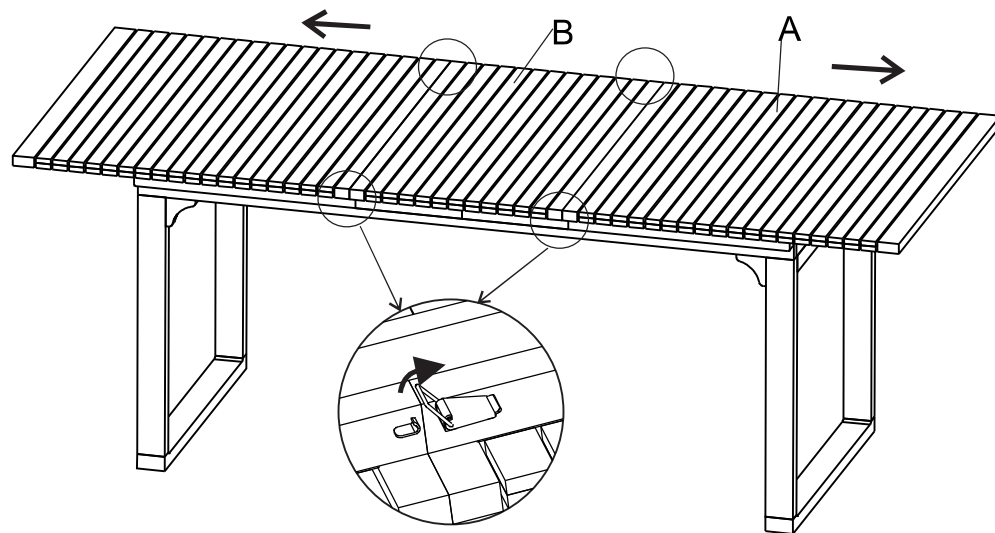
**Your Table is extended and is now ready for use.**

**This Table can only be used on a flat, level surface.**

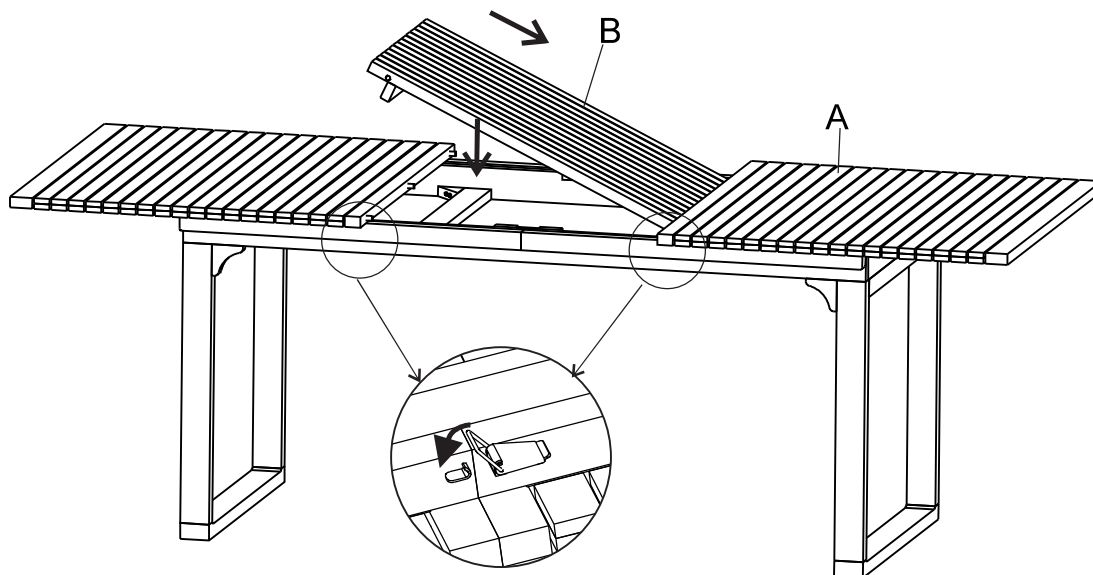
# To Retract the Table:

## Step 1

1.1



1.2



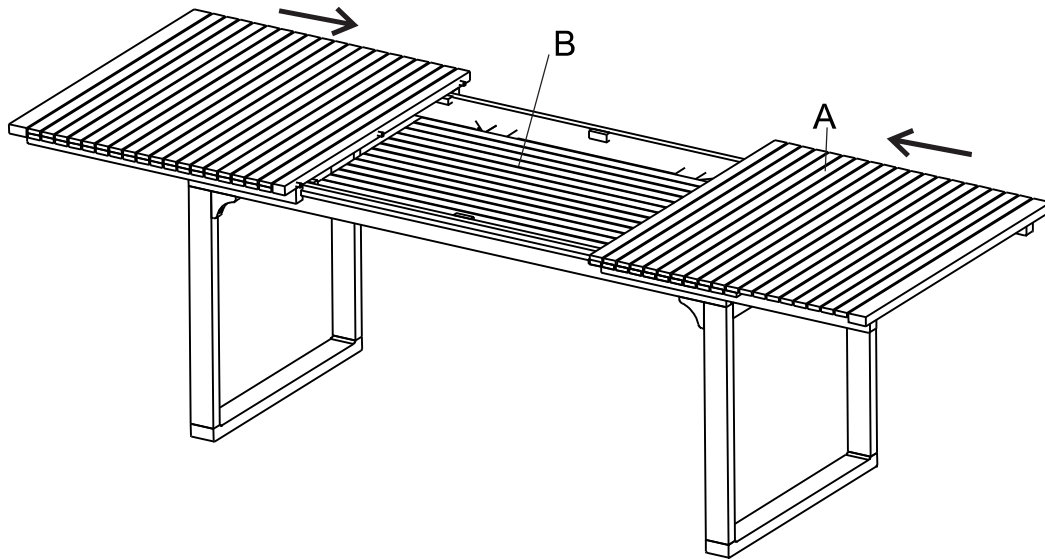
**1.1)** Unlock the Metal Fasteners under the Table Top(A).  
With assistance from your adult partner, gently pull the Top Table(A) outwards to open.

**1.2)** Take Expansion Board of Table Top(B) outward in the direction of the arrow horizontally into the Table Top(A) as shown in above picture.

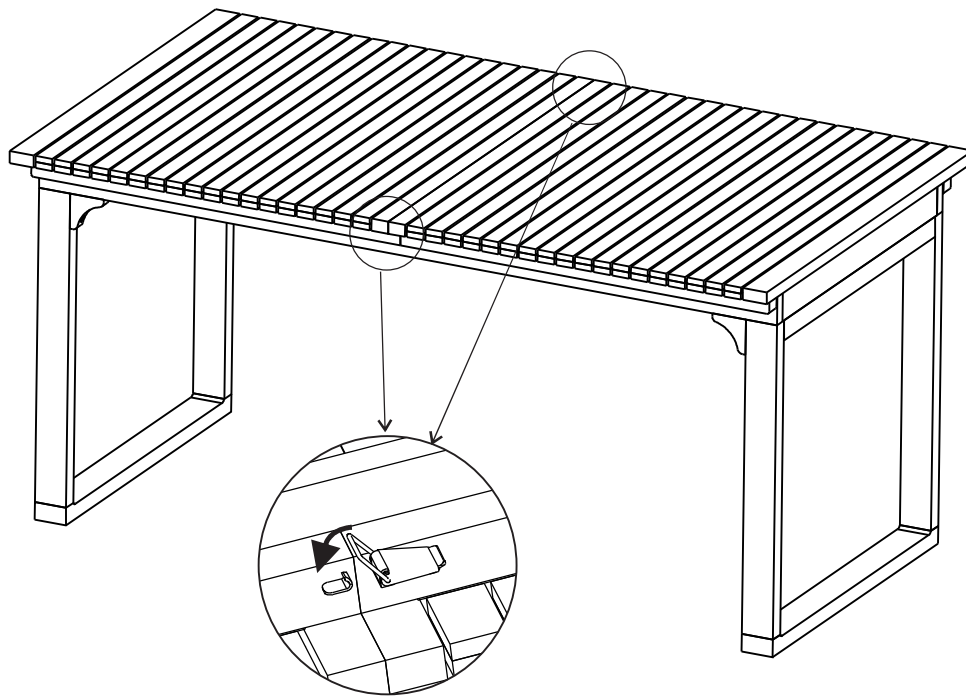
**Caution: Carefully put the Expansion Board of Table Top(B) into the Table Top(A) and avoid dropping the Expansion Board of Table Top(B).**

## Step 2

2.1



2.2



**2.1)** With assistance from your adult partners, push the Table Top with Foldable Leg(A) inwards until the iron pins Top Table align.

**Caution: Keep hands away from the Table Top with Foldable Leg(A) and Expansion Board of Table Top(B) when pushing the Table Top to avoid pinching hazards.**



















If you can not push the Table Top(A) inwards, Just slightly shake the Table Top(A).

**2.2)** Lock the Metal Fasteners under the Table Top to lock the Table Top into place as shown in the above picture.

**Your Table is retracted and is now ready for use.**

**This Table can only be used on a flat, level surface.**

# Care & Maintenance

-   ● Do not put hot items directly on furniture surface
-   ● Do not clean furniture with harsh cleansers or polish.
-   ● To obtain the longest lifespan of your outdoor products, minimizing exposure to direct sunlight is recommended.
-   ● Children should not climb or jump on the furniture.
-   ● Do not write on furniture without a padded barrier to protect the surface.
-   ● To obtain the longest lifespan of your outdoor products, avoid extended and lengthy exposure to rain, snow, and direct sunshine. Whenever possible cover the product and /or place under patio or awnings.
-   ● Not for commercial use. For residential use only .
-   ● Stains may be removed with mild soap solution and damp cloth.
-   ● Dust and pick-up spills using a clean, non-colored, lint-free cloth .