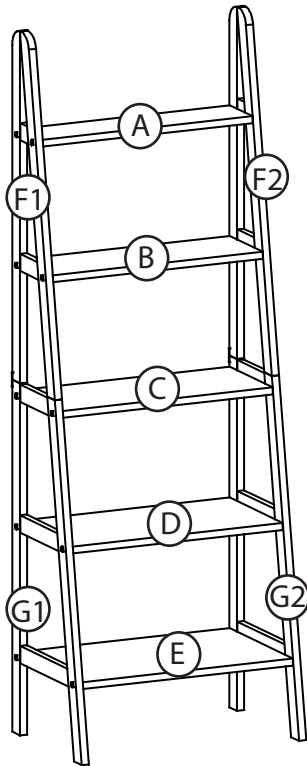


Assembly Instruction Sheet



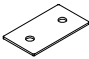

Ladder Bookcase




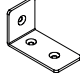
List of Parts

NO.	Description	Q'ty
A	SHELF A	1
B	SHELF B	1
C	SHELF C	1
D	SHELF D	1
E	SHELF E	1
F1	TOP FRAME LEFT	1
F2	TOP FRAME RIGHT	1
G1	BOTTOM FRAME LEFT	1
G2	BOTTOM FRAME RIGHT	1

List of Hardware

			
Screw JCA 1/4" x 38 RF10020 20 pcs.	Screw P6 x 5/8" RF10080 4 pcs.	Metal Plate RF40214 2 pcs.	Allen Wrench RF40015 1 pc.

Anti-Tipping

		
Screws F6 x 5/8" RF10004 4 pcs.	Screws F6 x 1 1/4" RF10002 2 pcs.	L-Bracket RF50003 2 pcs.

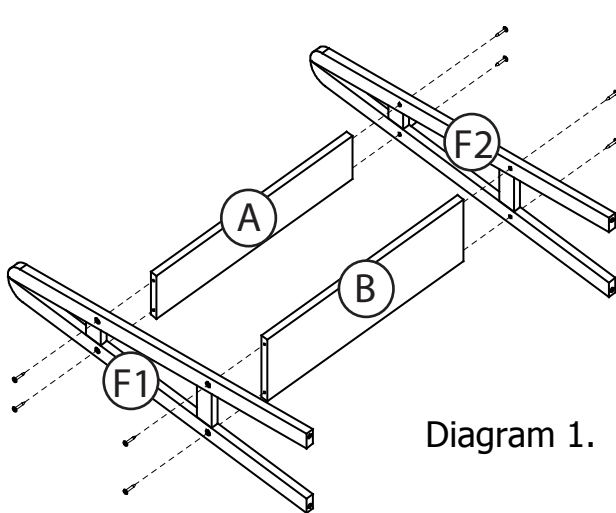


Diagram 1.

Step 1:

Attach shelf (A), shelf (B), top frame left (F1) and top frame right (F2) together by using screw (RF10020) as per Diag.1.

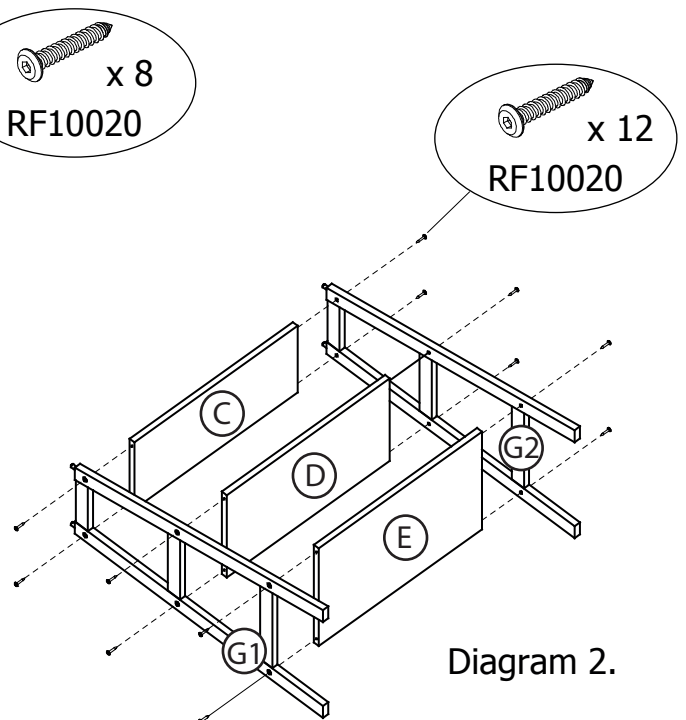


Diagram 2.

Step 2:

Attach shelf (C), (D), (E), bottom frame left (G1) and bottom frame right (G2) together by using screw (RF10020) as per Diag.2.

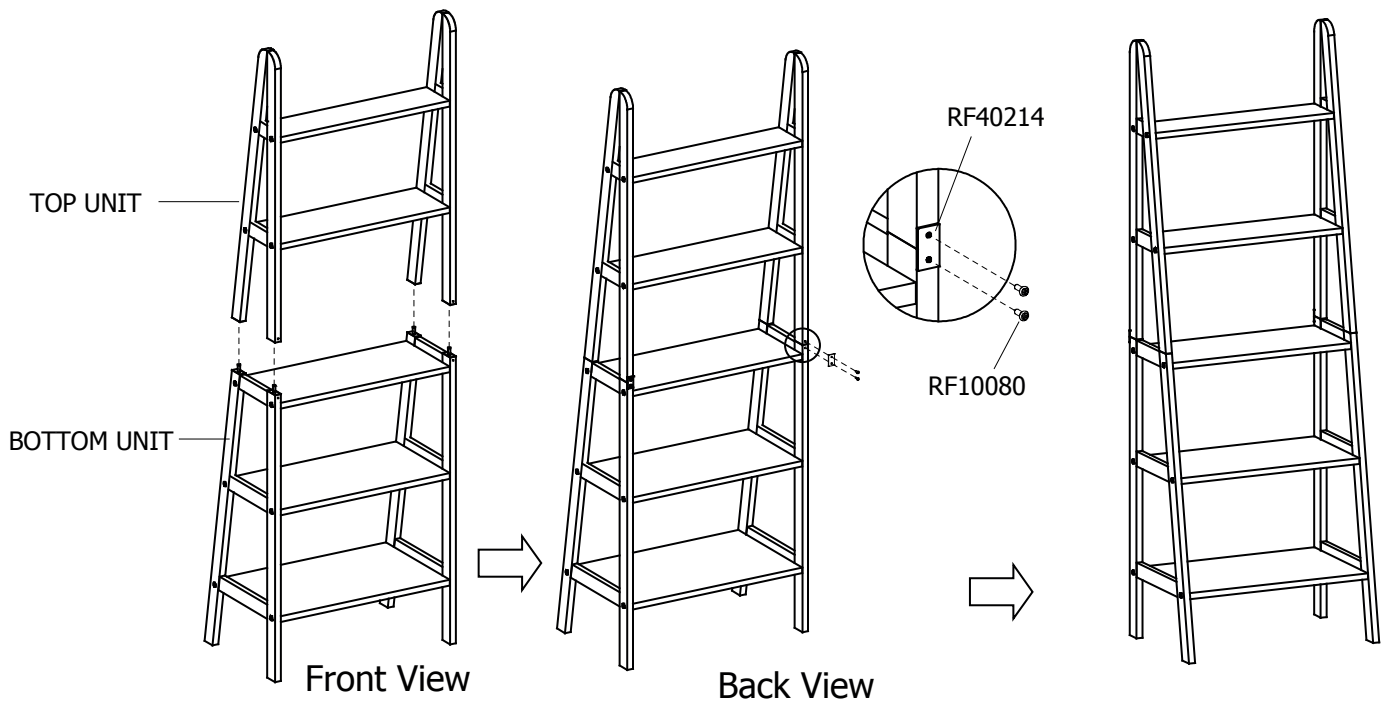
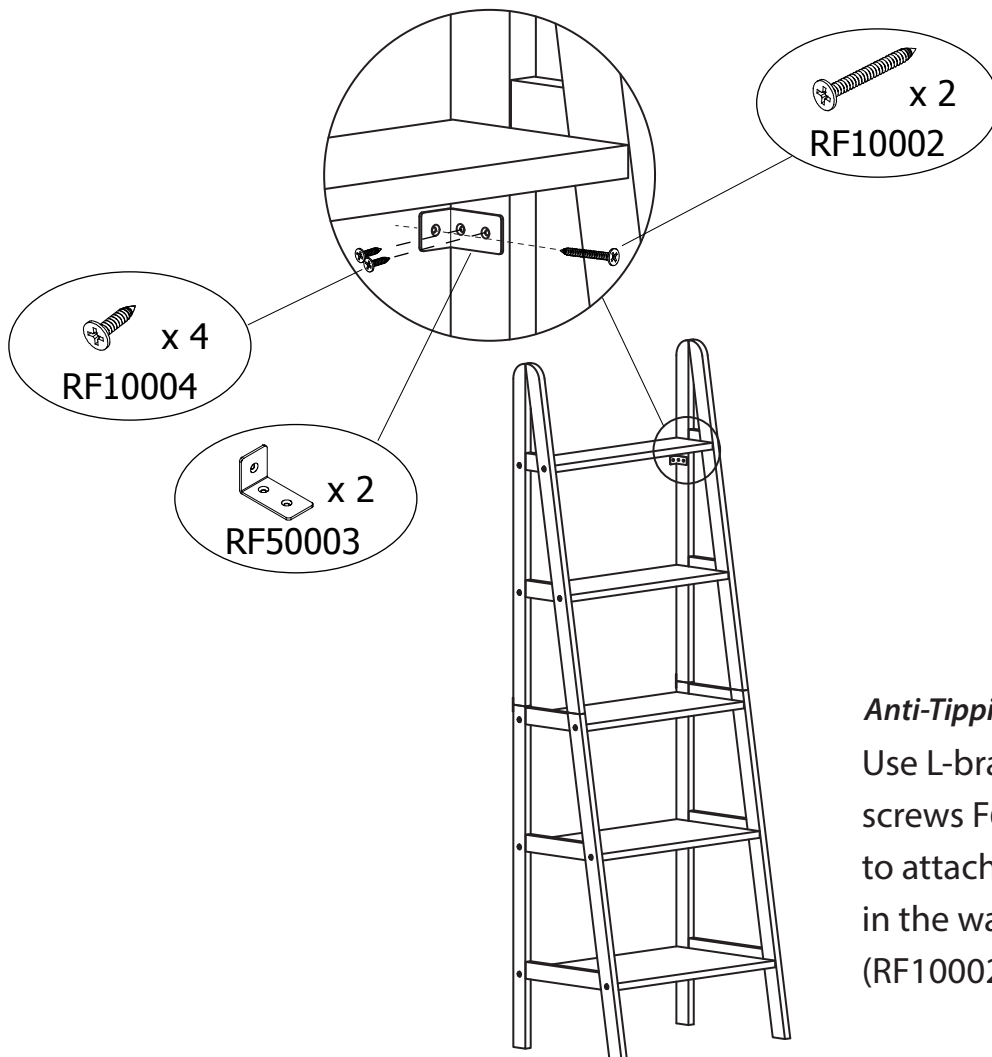


Diagram 3.

Step 3:

Stack the top unit onto the bottom unit. Then attaching the metal plate (RF40214) to the predrilled holes at the back of the bookcase using screws (RF10080) as per Diag.3.



Anti-Tipping

Use L-brackets (RF50003) and screws F6 x 5/8" (RF10004) to attach two side panels to the studs in the wall, using screws F6 x 1 1/4" (RF10002) as per Diag. 5.