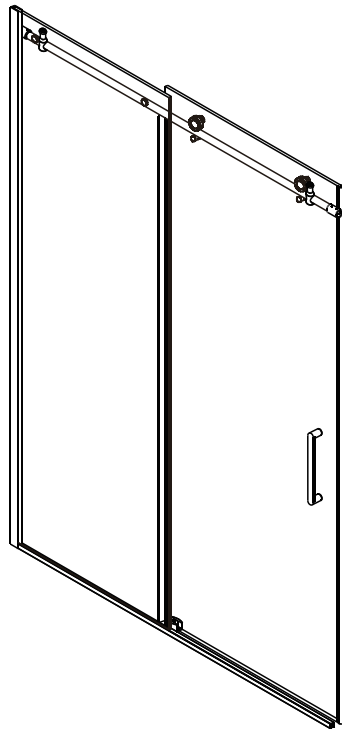


Mauna

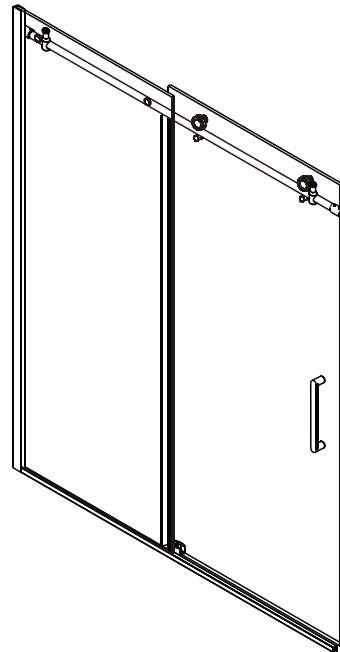
INSTALLATION INSTRUCTIONS

FOR SHOWER DOOR AND BATHTUB DOOR

MI SERIES



MI-5975 CH/BN/MB



MI-5960 CH/BN/MB

FINISH :

CH-Chrome

BN-Brushed Nickel

MB-Matte Black

◆ General Information

Inspect the product immediately upon receipt for transit damage, missing packs/parts or manufacturing fault. Damage reported later will not be accepted. Handle the product with care avoiding knocks and shock loading to all sides and edges of the glass.

◆ Notes: Safety glass can not be re-worked

Read these instructions carefully before start of installation.

Special care should be taken when drilling walls to avoid hidden pipes or electrical cables.

Note: This product is heavy and may require two people to install.

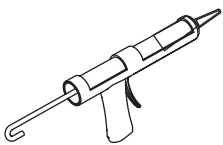
◆ Aftercare instructions

After use, your shower should be cleaned with soap and water. This is particularly important in hard water districts where insoluble lime salts maybe deposited and allowed to build up. Cleaners of a gritty or abrasive nature should not be used. Care should be taken to avoid contact with strong chemicals, they can be used but with caution, if in doubt contact the manufacturer of the cleaner in question.

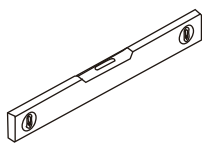
Keep these instructions for aftercare and customer service details.

Note: Stainless steel top rail can be trimmed up to 4" for width adjustment. If installation opening is smaller, the overlap of two glass panel is bigger, and the entrance size is reduced accordingly.

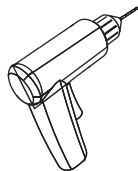
Tools Required



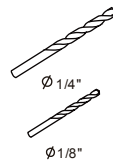
Silicone



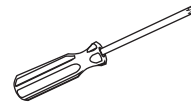
Level



Drill



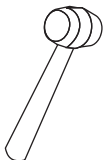
Drill Bit



Screwdriver
(Phillips)



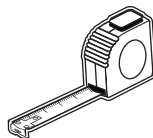
Sealant
Finishing Tool



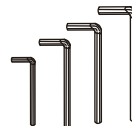
Mallet



Pencil



Tape Measurer



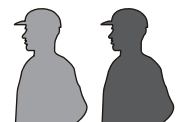
Allen Wrenches



Painters
Tape

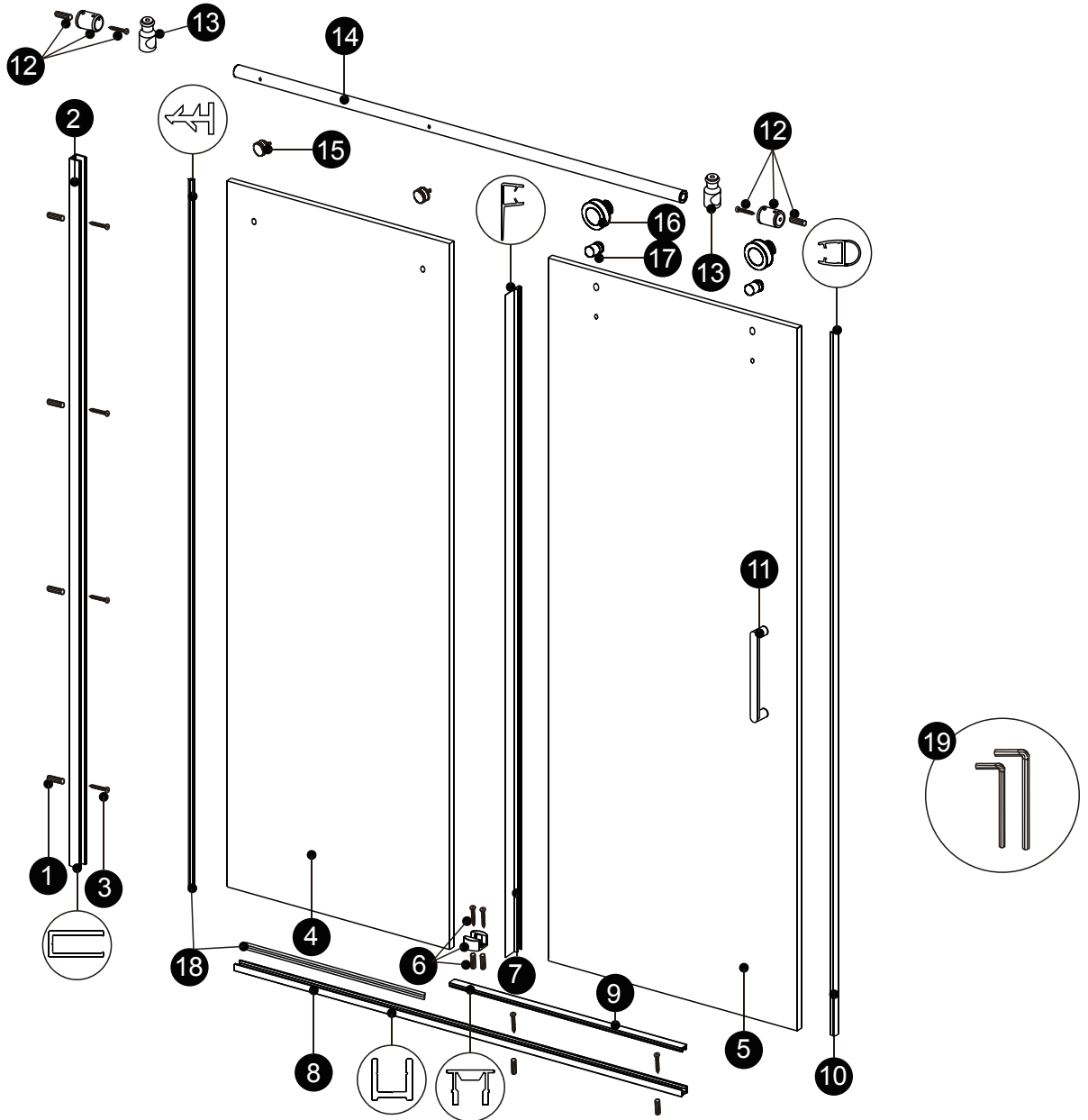
Tips: Measure the finished opening before proceeding with the installation to be sure that the correct model size has been ordered.

Note: These instructions will show the installation of the shower door. Please follow the same steps for the installation of the tub door.



PARTS LIST A

FOR SHOWER/BATHTUB DOOR (8MM)



PACKING LIST

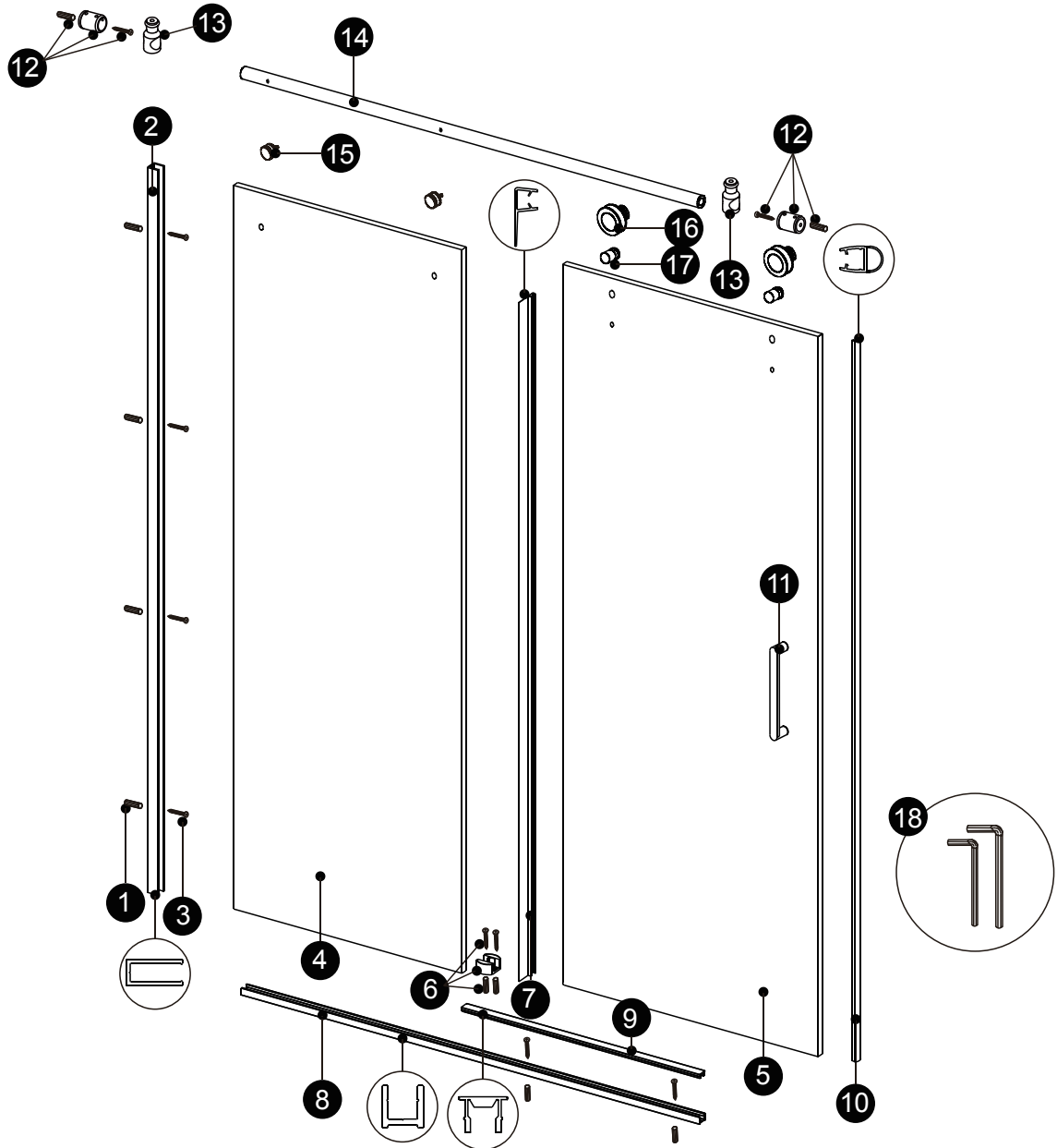


Keep small parts away from children

PART #	DESCRIPTION	Q' TY	PART #	DESCRIPTION	Q' TY
1	Wall Plugs	6pcs	11	Handle	1pc
2	Wall Jamb	1pc	12	Square Wall Joints Whit Plastic Bumper x 2	2set
3	Screws ST4x1 3/8"	6pcs		Screws ST5x1 3/8" x 4	
4	Fixed Panel	1pc		Wall Plugs x 4	
5	Door Panel	1pc	13	5/8" Plastic Bumper	1pc
6	Bottom Guide x 1	1set	14	Top Rail	1pc
	Screws ST5x1 3/8" x 2		15	Glass Fixing Piece	2pcs
	Wall Plugs x 2		16	Roller	2sets
7	Gasket-A for 5/16"(8mm) Glass	1pc	17	Lock In Knob Sets	2sets
8	Aluminium Bottom U Channel	1pc	18	Gasket-C for 5/16"(8mm) Glass	2pcs
9	Cover Strip Profile	1pc	19	Allen Wrench	2pcs
10	Gasket-B for 5/16"(8mm) Glass	1pc			

PARTS LIST B

FOR SHOWER/BATHTUB DOOR (10MM)



PACKING LIST

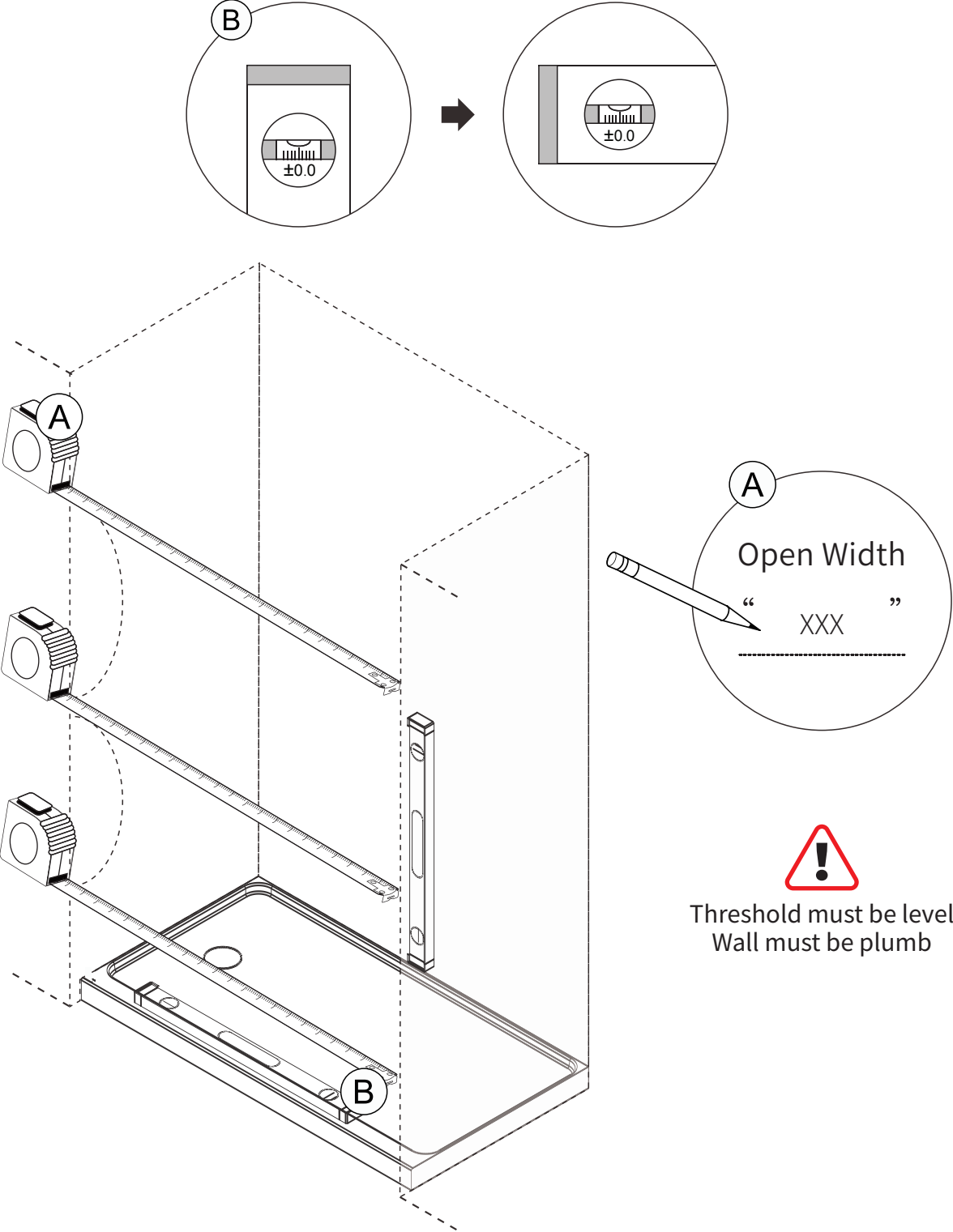


Keep small parts away from children

PART #	DESCRIPTION	Q' TY	PART #	DESCRIPTION	Q' TY
1	Wall Plugs	6pcs	11	Handle	1pc
2	Wall Jamb	1pc	12	Square Wall Joints Whit Plastic Bumper x 2	2set
3	Screws ST4x1 3/8"	6pcs		Screws ST5x1 3/8" x 4	
4	Fixed Panel	1pc		Wall Plugs x 4	
5	Door Panel	1pc	13	5/8" Plastic Bumper	1pc
6	Bottom Guide x 1	1set	14	Top Rail	1pc
	Screws ST5x1 3/8" x 2		15	Glass Fixing Piece	2pcs
	Wall Plugs x 2		16	Roller	2sets
7	Gasket-A for 3/8"(10mm) Glass	1pc	17	Lock In Knob Sets	2sets
8	Aluminium Bottom U Channel	1pc	18	Allen Wrench	2pcs
9	Cover Strip Profile	1pc			
10	Gasket-B for 3/8"(10mm) Glass	1pc			

INSTALLATION STEPS

STEP 1A




INSTALLATION STEPS

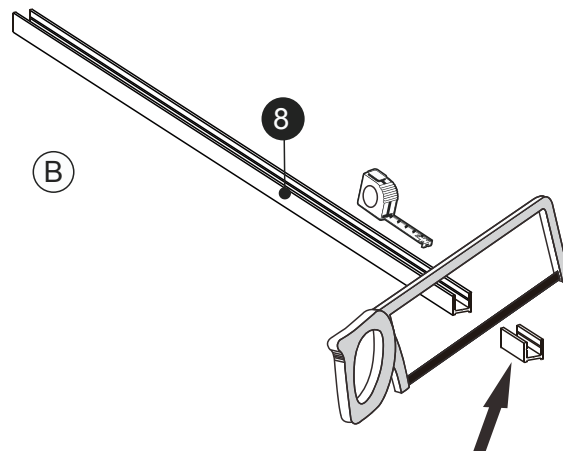
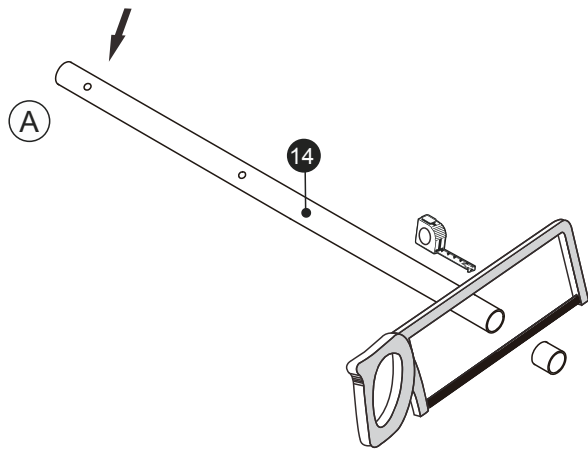
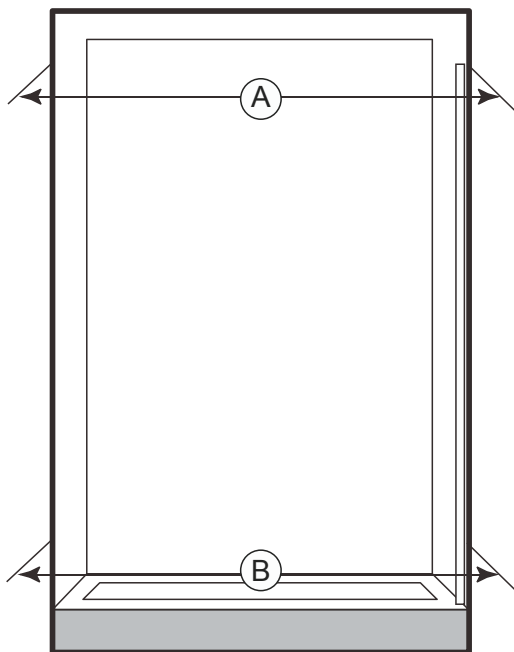
STEP 1B

Model Width - Finished Opening(Width) = Cut Off Length

Finished Opening (Width)	53 3/4" -55"	54 3/4" -56"	55 3/4" -57"	56 3/4" -58"	59"
Cut Off Length	4"	3"	2"	1"	—

*This Shower Door Can Be Installed At Wall Opening From 57 3/4" to 59" (No Need Cut Rail).

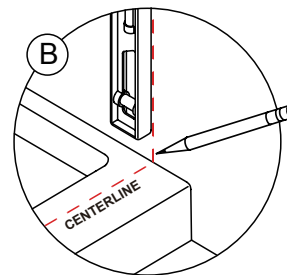
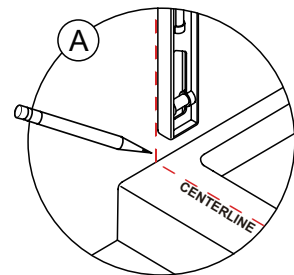
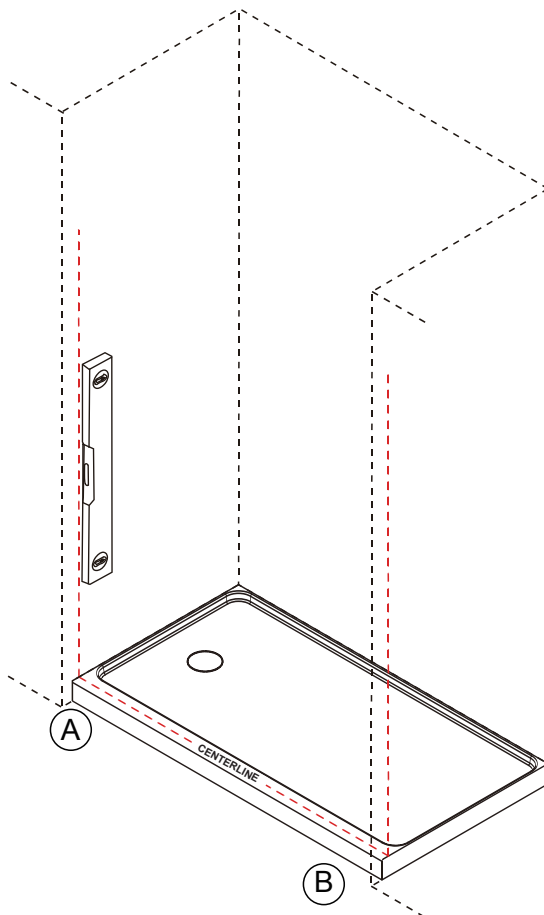
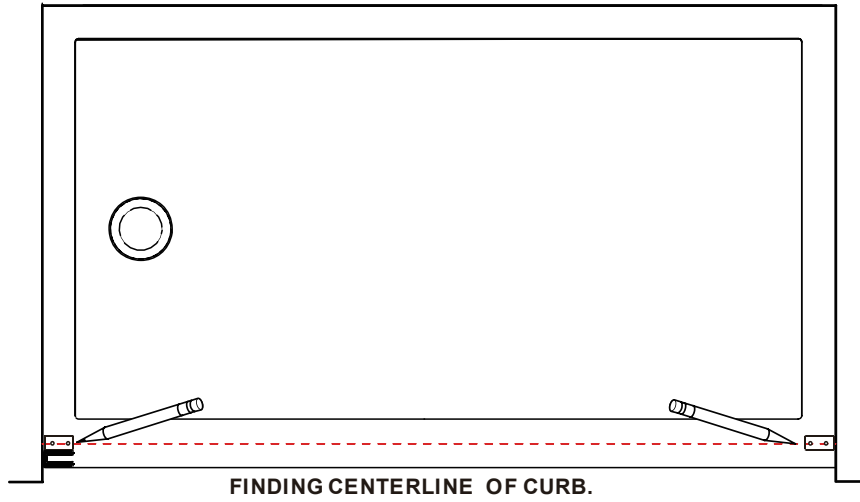
 When cutting top rail, cut off from the end without the hole.



Measure the drip rail with a tape measure. Cut the length according to installer's recommendation.

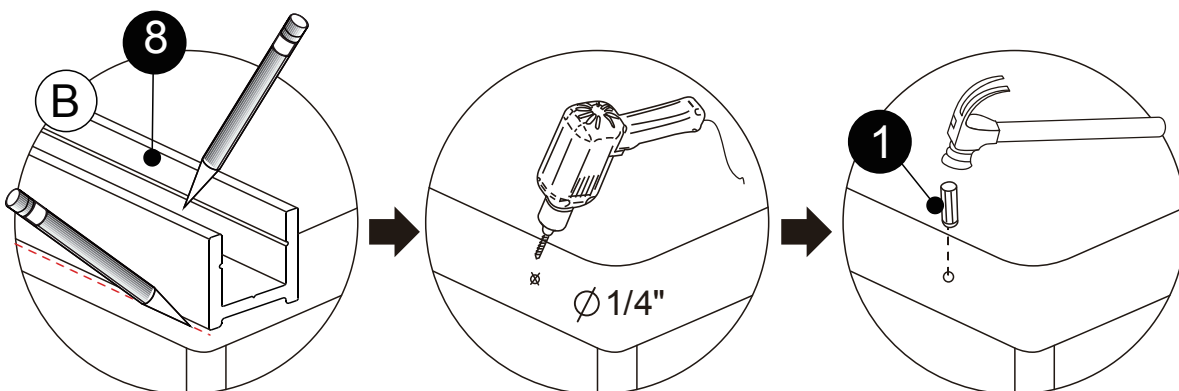
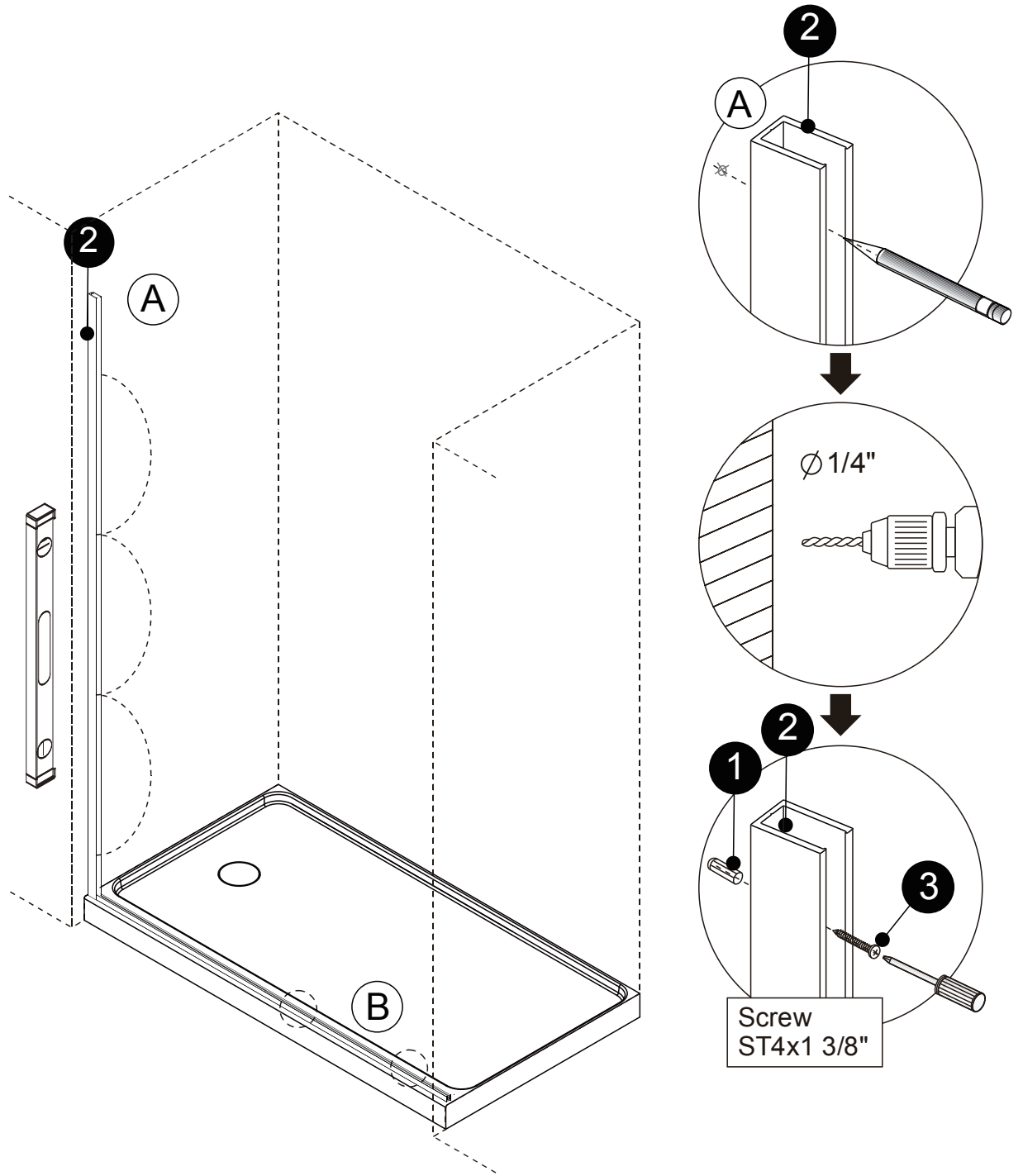
INSTALLATION STEPS

STEP 2



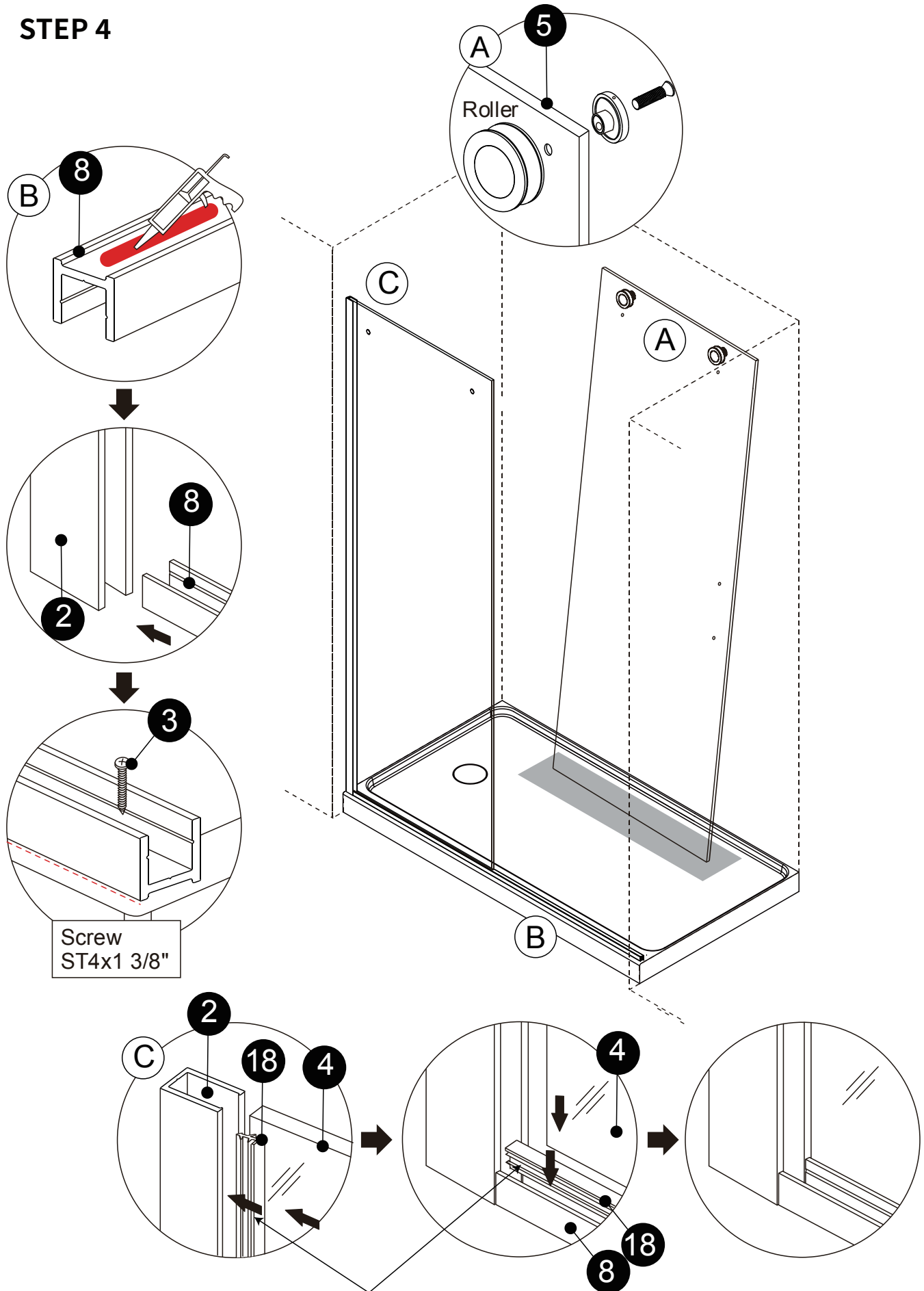
INSTALLATION STEPS

STEP 3



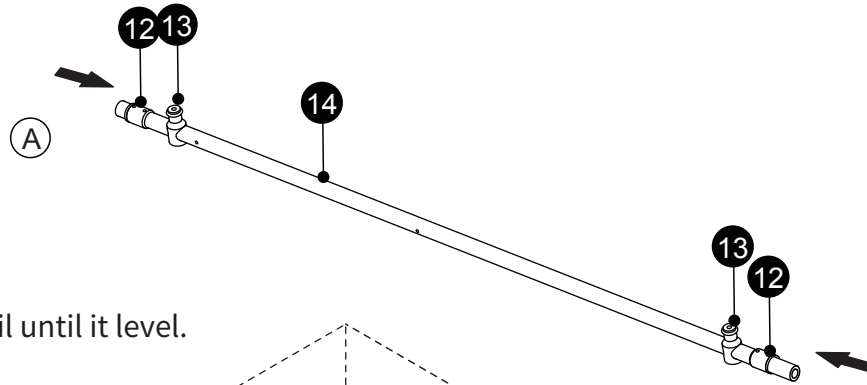
INSTALLATION STEPS

STEP 4

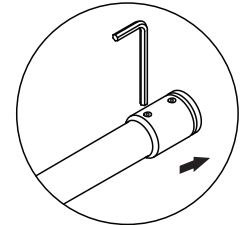
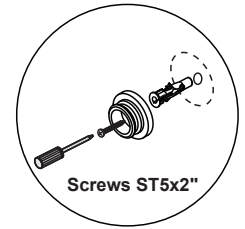
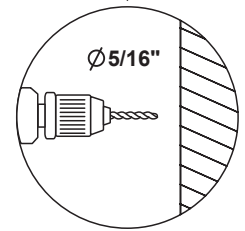
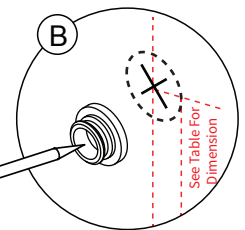
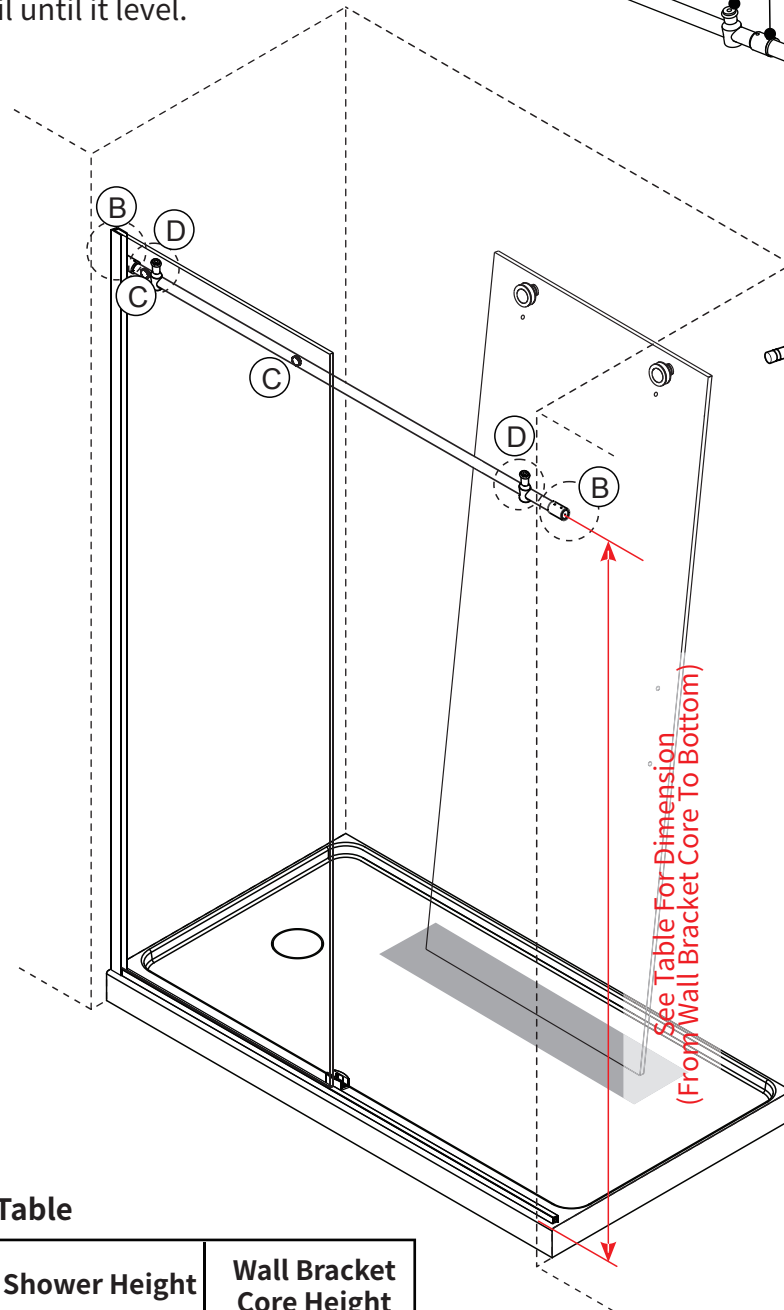
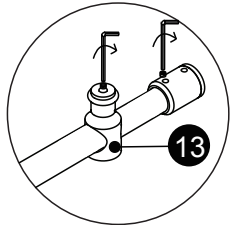
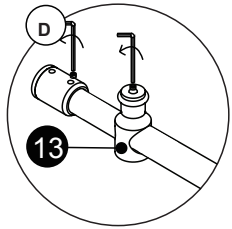
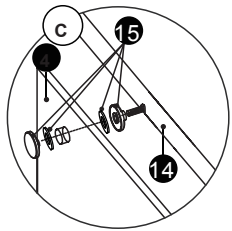
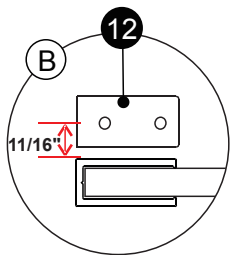


INSTALLATION STEPS

STEP 5



Adjust top rail until it level.

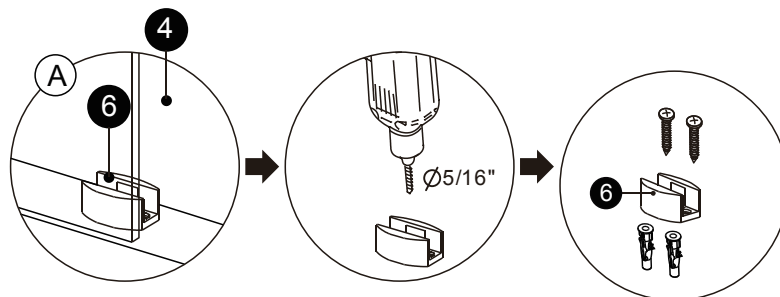
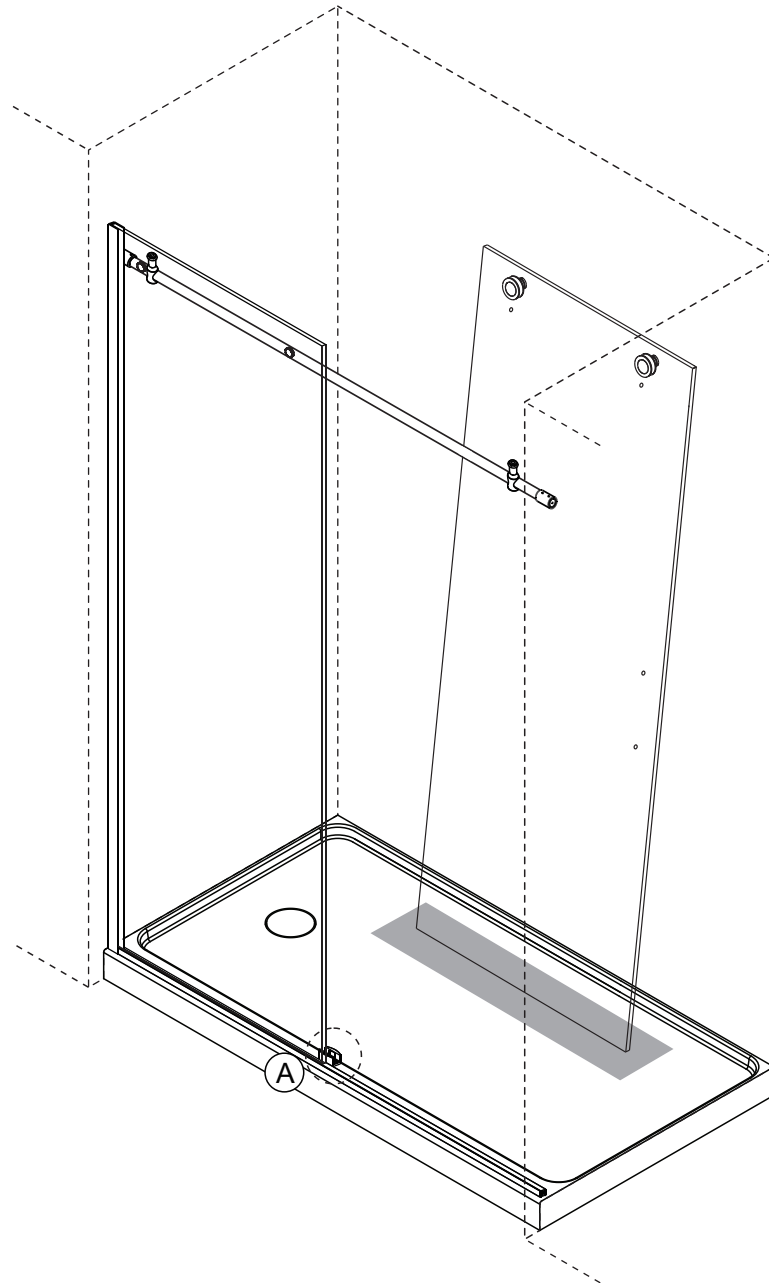


Table

Shower Height	Wall Bracket Core Height
75"	72-3/16"
60"	57-3/16"

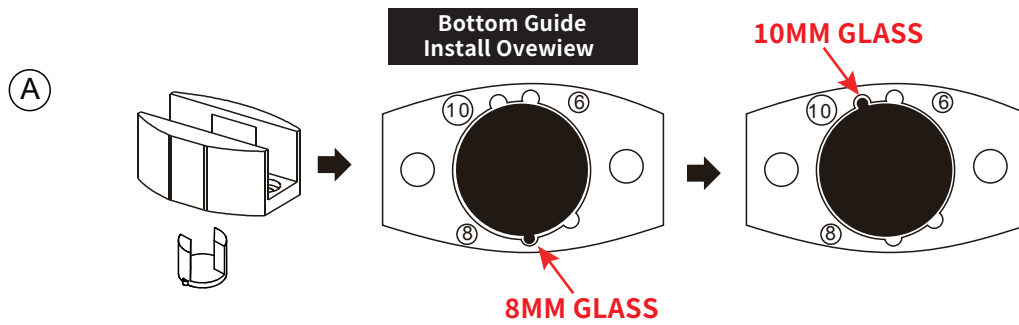
INSTALLATION STEPS

STEP 6 FOR 8MM GLASS

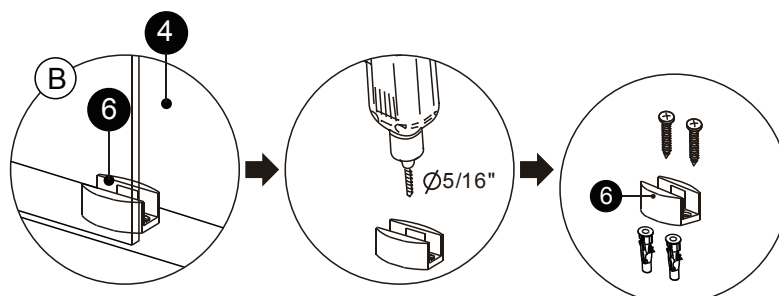
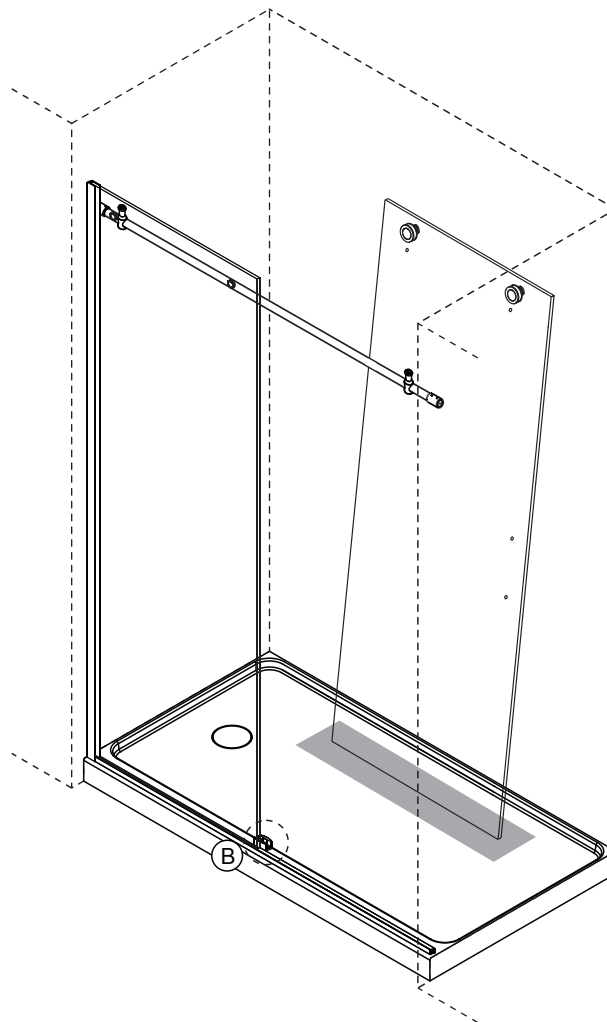


INSTALLATION STEPS

STEP 6 FOR 10MM GLASS

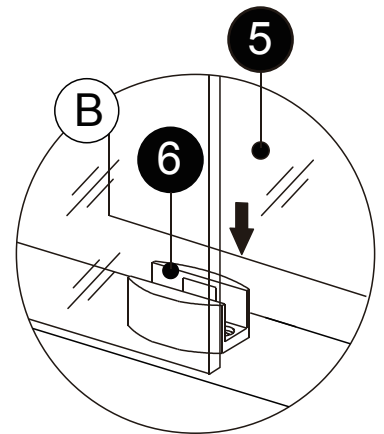
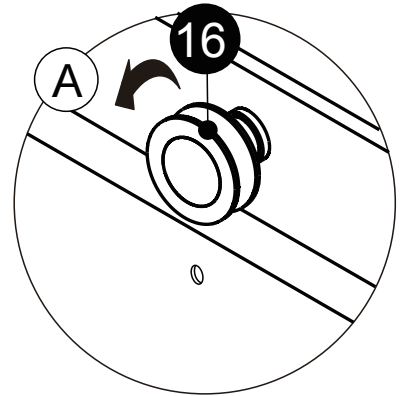
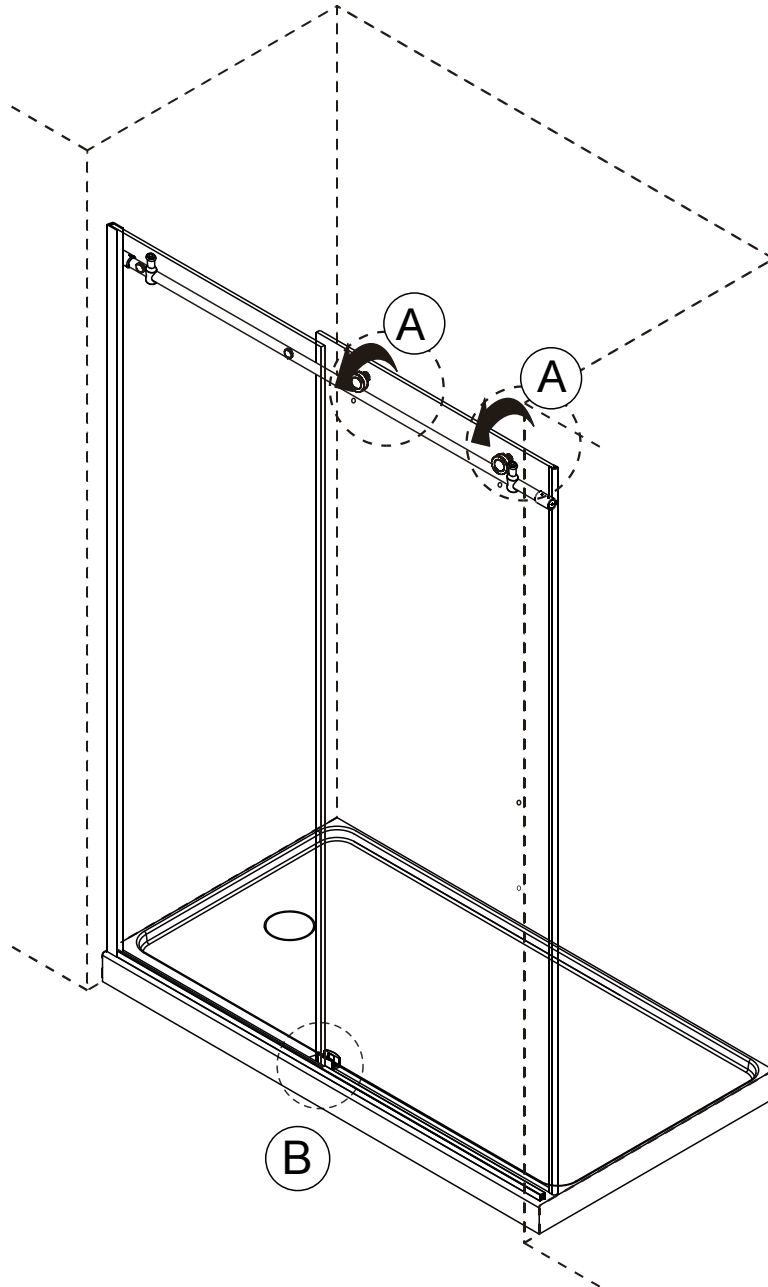


This bottom guide is pre-installed for 8mm glass. To install 10mm glass, please take out the plastic insert block, install the insert block according to the marked position as shown on diagram before going to next step.



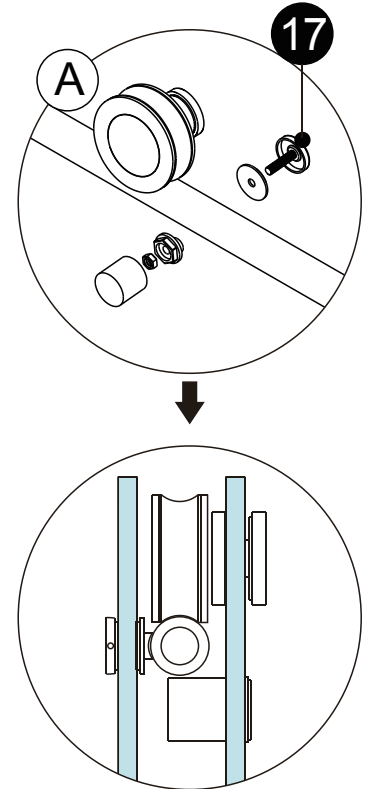
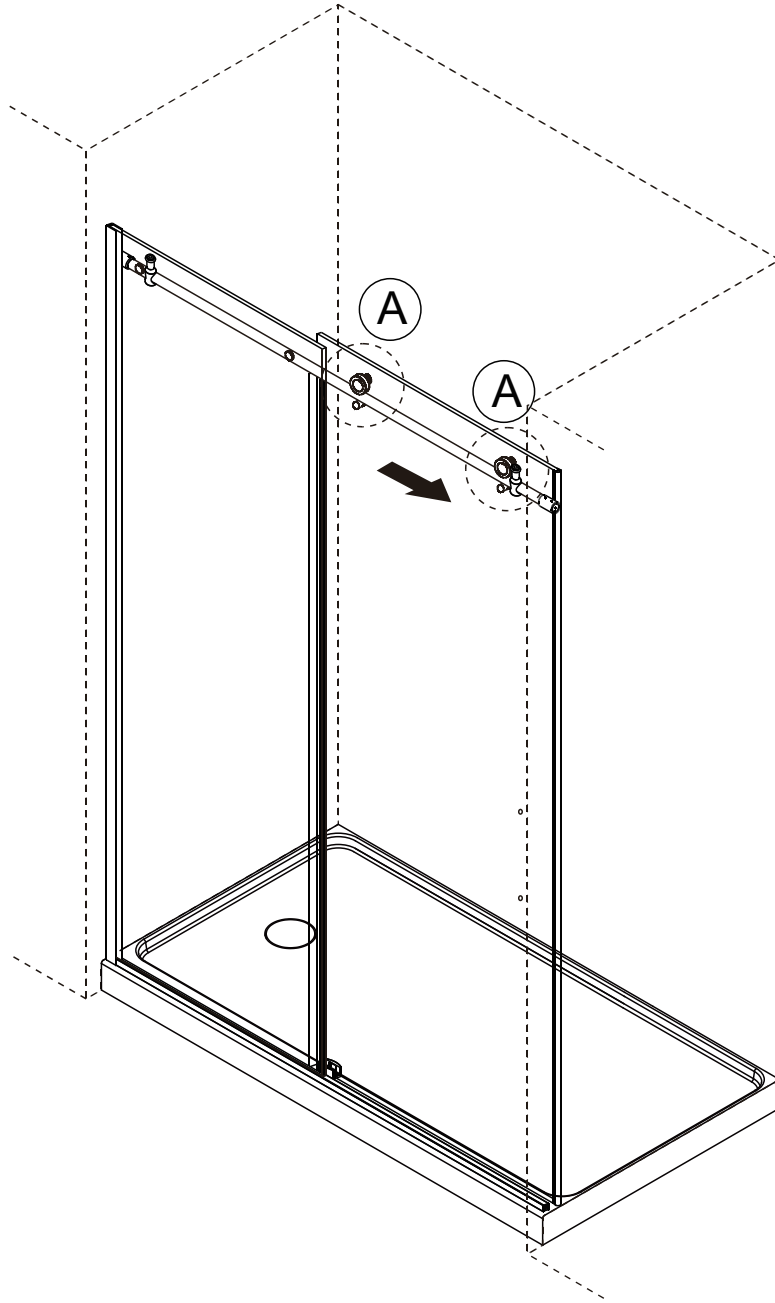
INSTALLATION STEPS

STEP 7



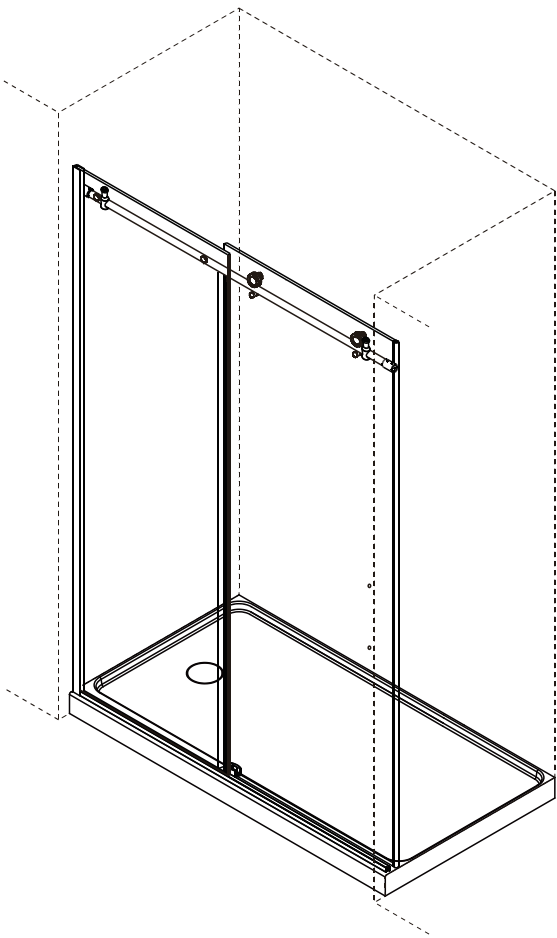
INSTALLATION STEPS

STEP 8



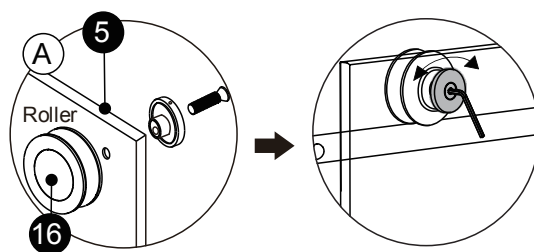
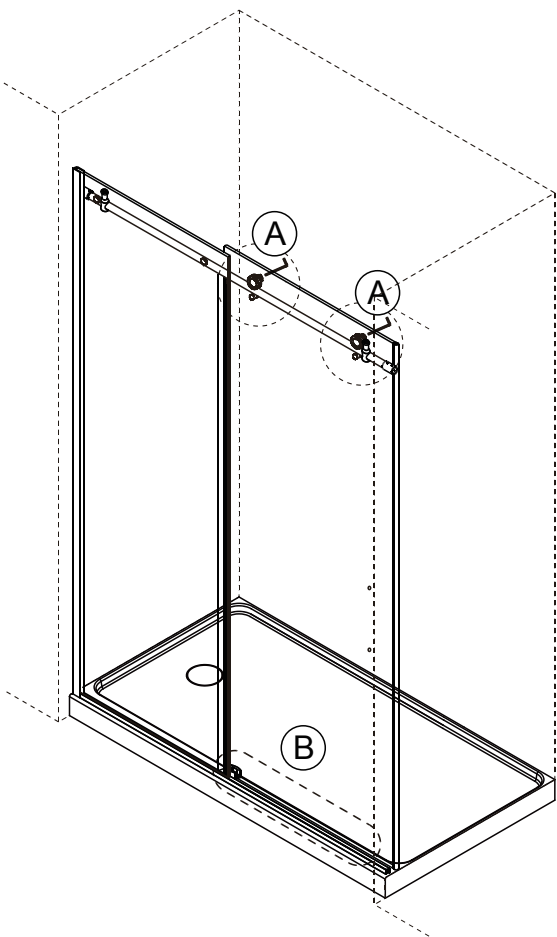
INSTALLATION STEPS

STEP 9



Carefully slide the door toward the wall and check the door is sliding smoothly.

Adjust if necessary using offset in rollers, so that the sliding door is parallel to the tray.

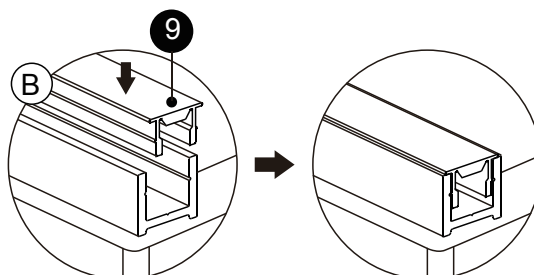


HOW TO ADJUST

Step 1 : Loosen center bolt with hex wrench

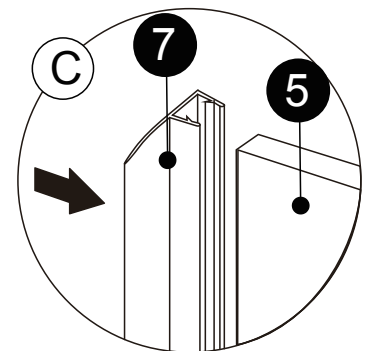
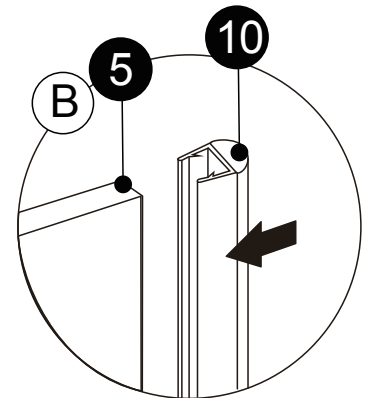
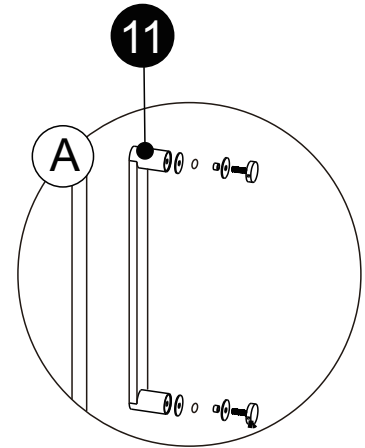
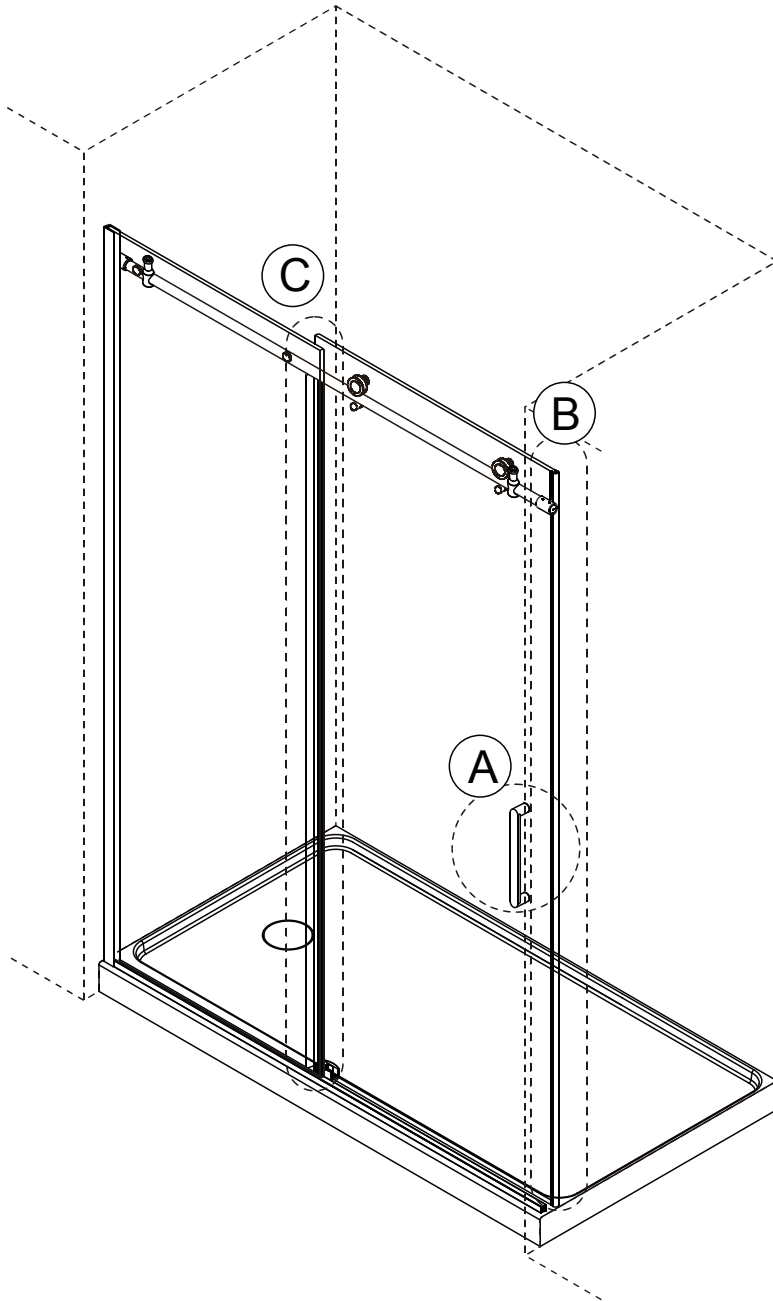
Step 2 : Rotate to adjust panel angle with hex wrench

Step 3 : Tighten center bolt



INSTALLATION STEPS

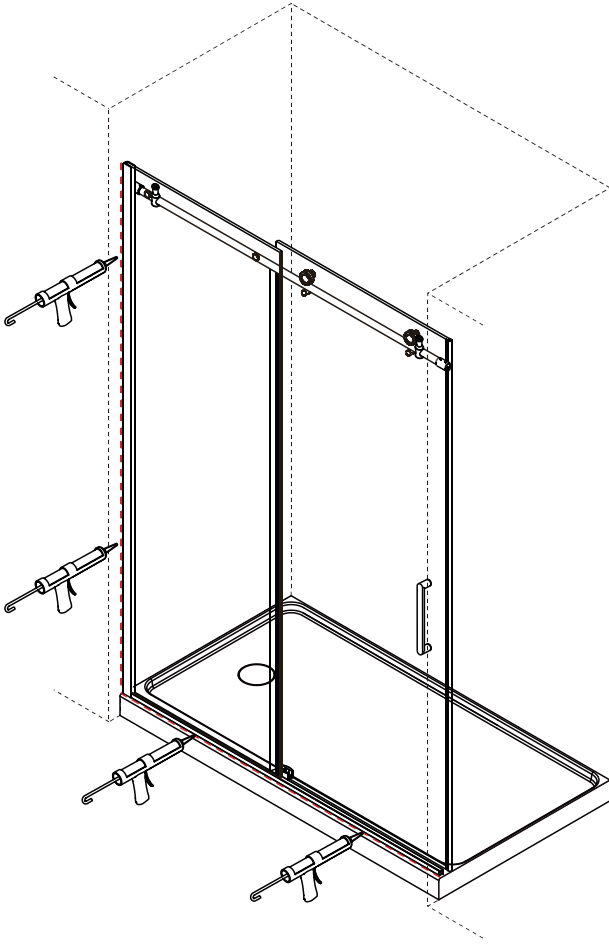
STEP 10



Please note to get correct gasket seals for different glass thick configuration.

INSTALLATION STEPS

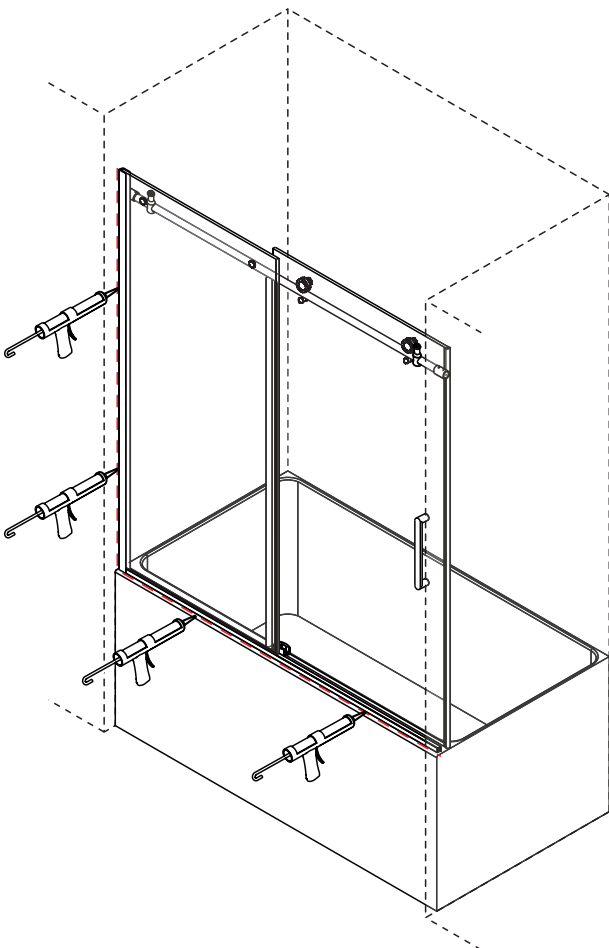
STEP 11



24 HOURS

Apply clear silicone caulking along the wall and threshold of the shower door inside and outside.

(make sure you) wait 24hours before using the shower. Do not allow water to directly hit door.



24 HOURS