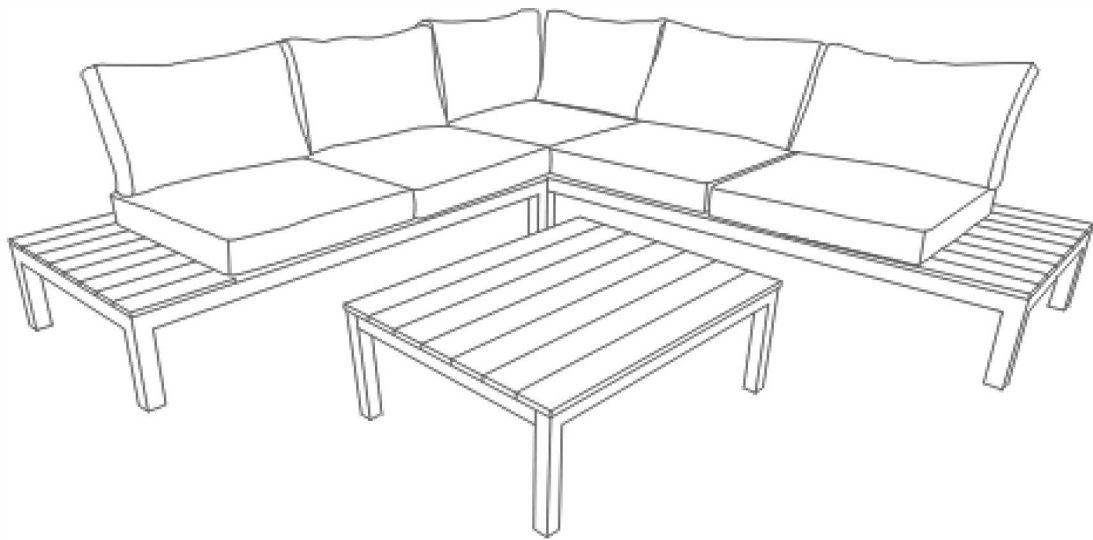


Assembly Instructions



ASSEMBLY RATING

The Assembly Rating is a 5-point system that shows the degree of effort needed in assembling a specific product (with 1 being easy and 5 being difficult). For some products, two persons are recommended.

EASY  DIFFICULT

Tools Required For Assembly:

Allen Wrench



(Included)

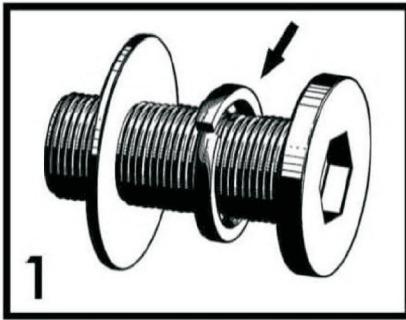


2 PERSONS RECOMMENDED

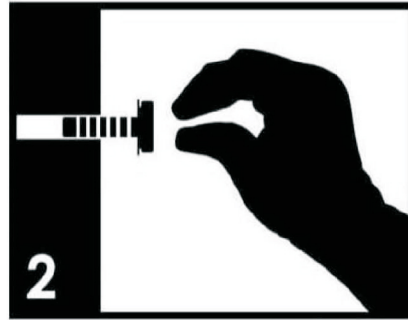
ASSEMBLY & CARE ADVICE

FOR YOUR FURNITURE TO LAST, CORRECT ASSEMBLY AND PROPER MAINTENANCE ARE NECESSARY. PLEASE FOLLOW THE INFORMATION PROVIDED BELOW TO FULLY ENJOY YOUR FURNITURE.

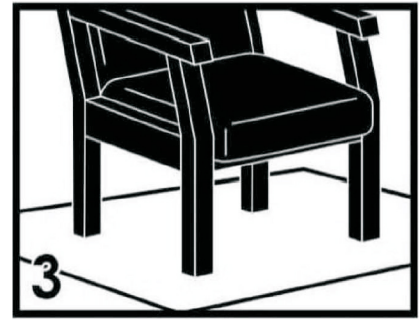
BASIC ASSEMBLY TECHNIQUES



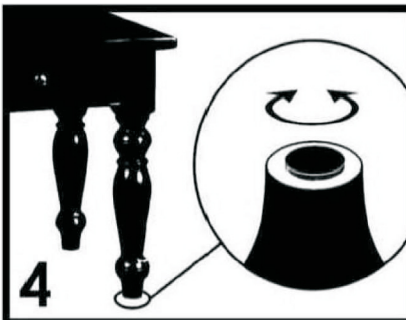
When lock or spring washer is used in an assembly, please make sure the lock or spring washer is placed between the larger flat washer and the head of the screw or bolt.



Position each part correctly and insert screws or bolts into their respective holes by hand tighten or using the proper hand tool. Only tighten when step is completed or when instructed to do so.



Use cardboard or carpet area when assembling furniture to prevent scratches. Make sure the furniture rests on a flat and level surface with each leg evenly touching the floor.



Some furniture comes with height adjustment knobs underneath each leg. To lower or to raise each leg, you need to turn clockwise or counterclockwise, respectively.



Make sure all parts are properly aligned, then use the appropriate hand tool to completely tighten the bolts or screws. Do not use power tools and do not overtighten.

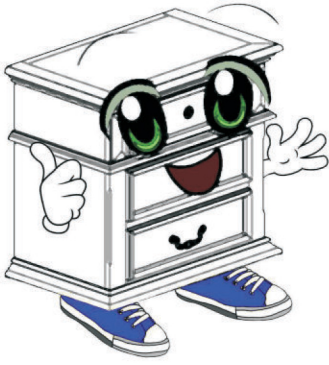


Save the instructions and store the Allen wrench or any supplied tool for later maintenance. After two weeks, check and tighten any loose hardware and repeat again every six months thereafter.

IT IS THE USER'S RESPONSIBILITY TO MAINTAIN THE FURNITURE. THE HARDWARE MAY LOOSEN OVER TIME AND MAY CAUSE THE FURNITURE TO BE WOBBLY AND UNABLE TO SUPPORT ITS INTENDED WEIGHT CAPACITY. THIS MAY LEAD TO COLLAPSE AND MAY CAUSE SERIOUS INJURY.



FAILURE TO FOLLOW THE GUIDELINES ABOVE MAY RESULT IN INJURY AND/OR PROPERTY DAMAGE.



Before you begin, please read Page 2 of "Assembly and Care Advice".

And remember, do not tighten until each step is completed or instructed.

Parts List



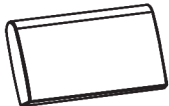
#1 x 1pc x 2
Seat Frame (L & R)



#2 x 2pcs x 2
Backrest



#3 x 2pcs x 2
Seat Cushion



#4 x 2pcs x 2
Back Cushion

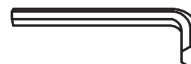
Hardware List



#A x 4pcs x 2
Metal Plate



#B x 8pcs x 2
Bolt 1/4" x 1-3/8"



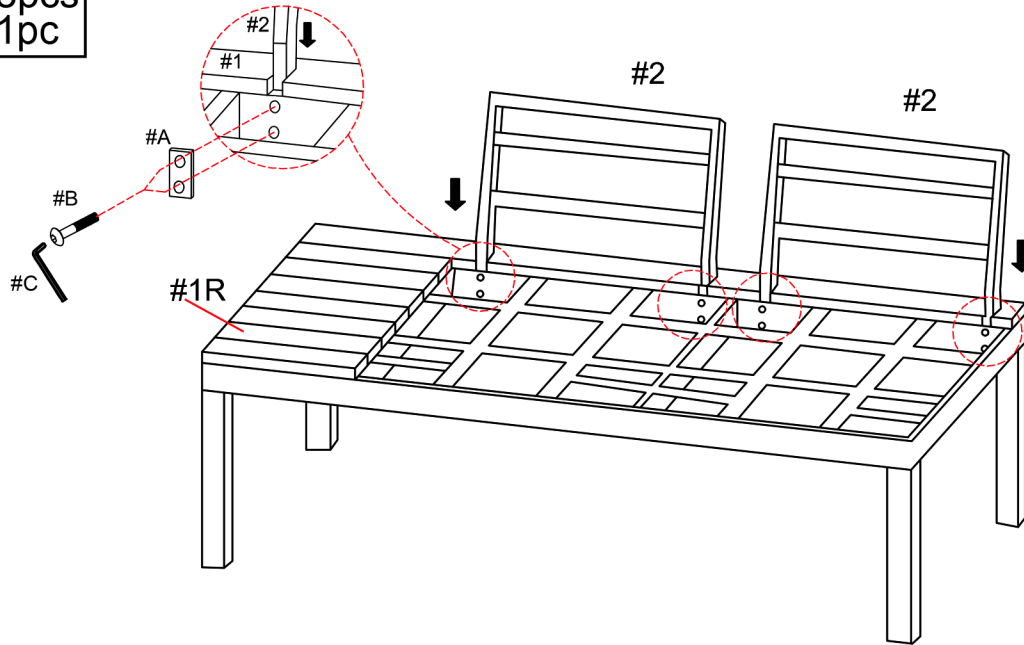
#C x 1pc x 2
Allen Wrench



#1

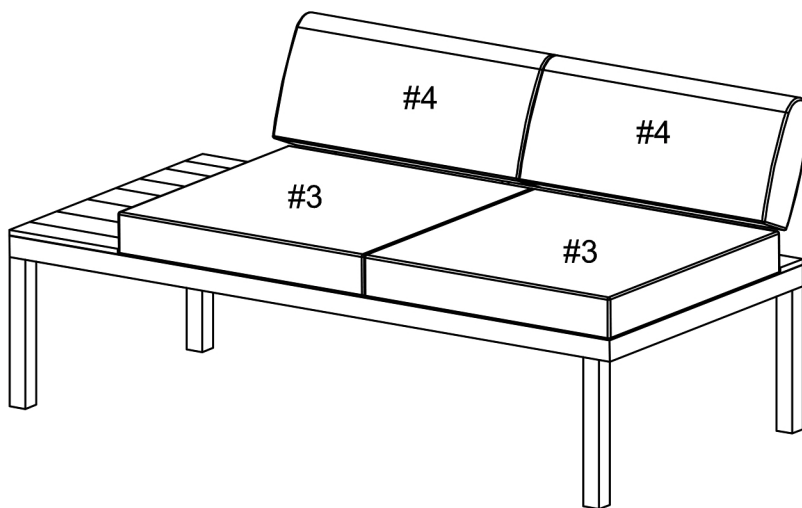
Align backrests (#2) to the holes of the right seat frame (#1R).
Secure by using bolts (#B) with brackets (#A).

#A x 4pcs
#B x 8pcs
#C x 1pc



#2

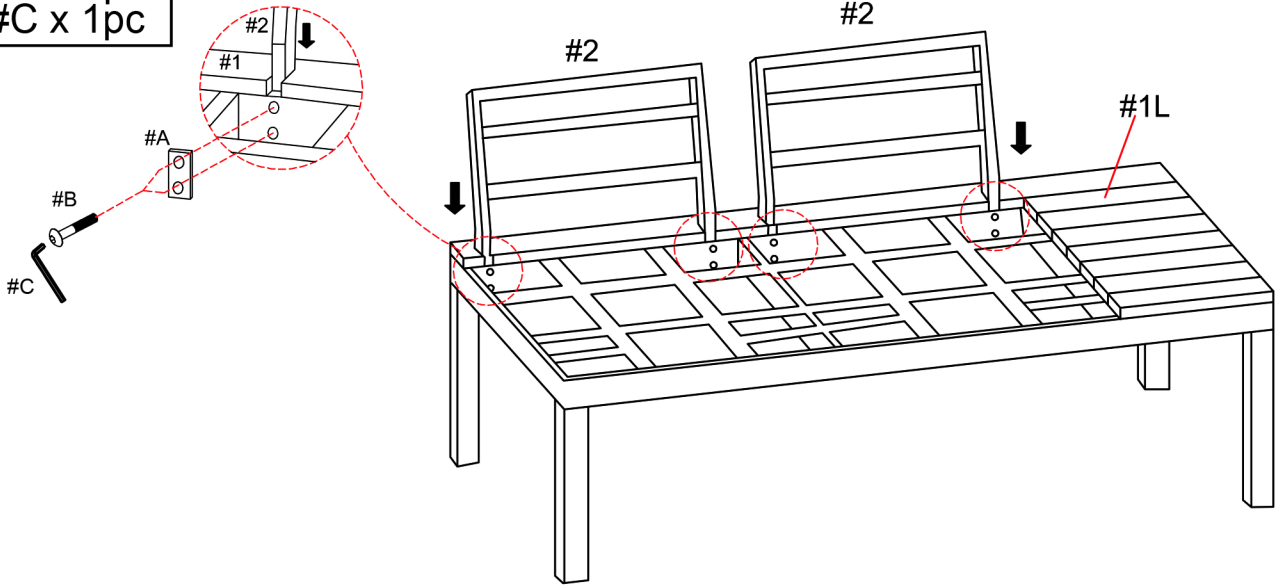
Align seat cushions (#3,4) to the right seat frame (#1R).



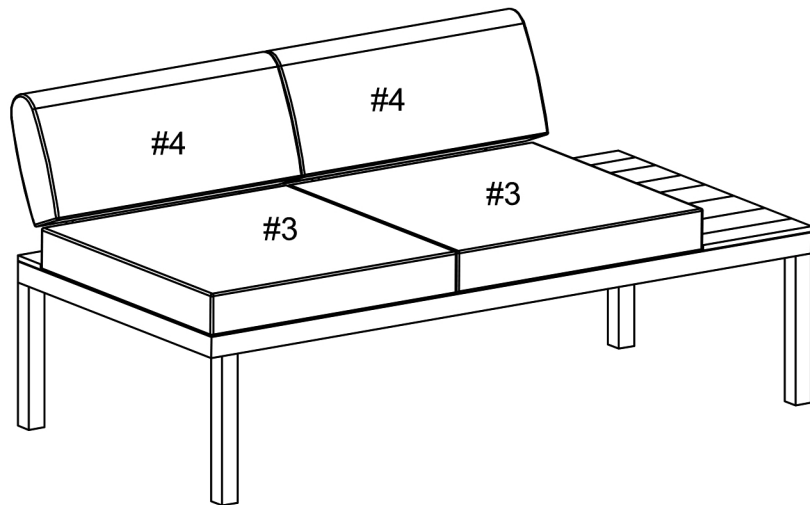


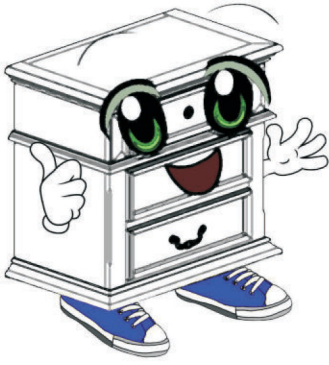
Align backrests (#2) to the holes of the left seat frame (#1L).
Secure by using bolts (#B) with brackets (#A).

#A x 4pcs
#B x 8pcs
#C x 1pc



Align cushions (#3,4) to the left seat frame (#1L).





Before you begin, please read Page 2 of "Assembly and Care Advice".

And remember, do not tighten until each step is completed or instructed.

Parts List

Hardware List



#1 x 1pc
Seat Frame



#A x 4pcs
Metal Plate



#2 x 2pcs
Backrest



#B x 8pcs
Bolt 1/4" x 1-3/8"



#3 x 1pc
Seat Cushion



#C x 1pc
Allen Wrench



#4 x 2pcs
Back Cushion



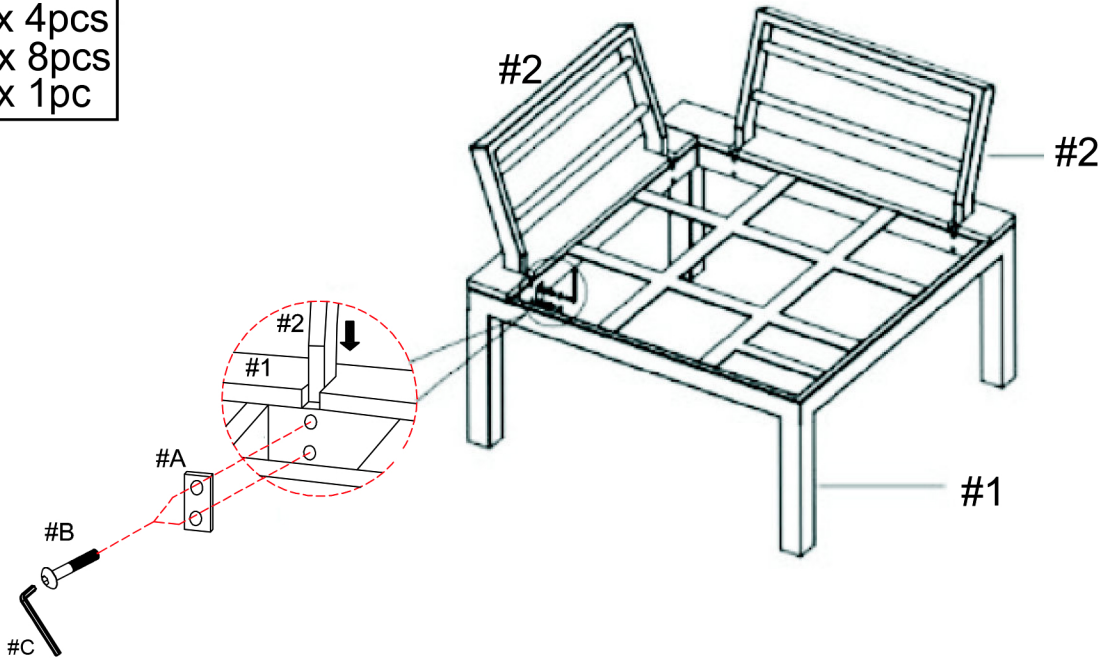
#D x 4pcs
Connect



#1

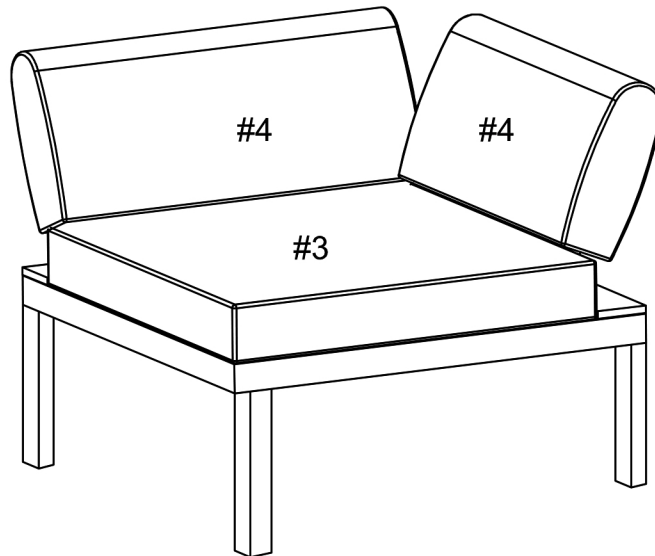
Align backrests (#2) to the holes of the seat frame (#1).
Secure by using bolts (#B) with brackets (#A).

#A x 4pcs
#B x 8pcs
#C x 1pc



#2

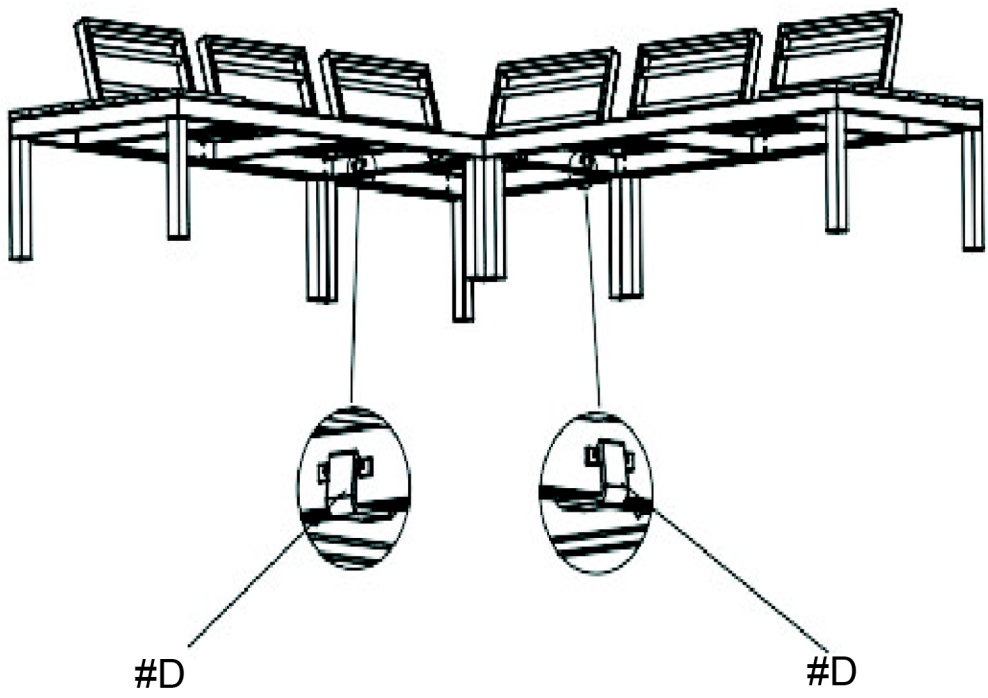
Place cushions (#3,4) to the seat frame (#1).

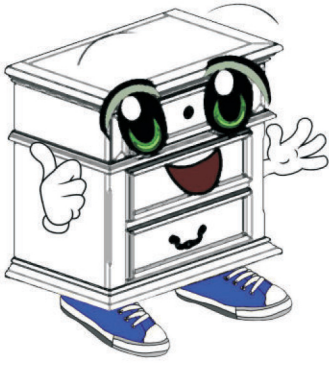




#D x 4pcs

Align seat frames together, then connect by using connectors (#D) to the bottom of the frames.

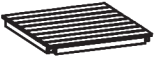




Before you begin, please read Page 2 of "Assembly and Care Advice".

And remember, do not tighten until each step is completed or instructed.

Parts List



#1 x 1pc
Table Top



#2 x 4pcs
Table Leg

Hardware List



#A x 8pcs
Bolt 1/4" x 1-3/8"



#B x 8pcs
Lock Washer



#C x 8pcs
Flat Washer

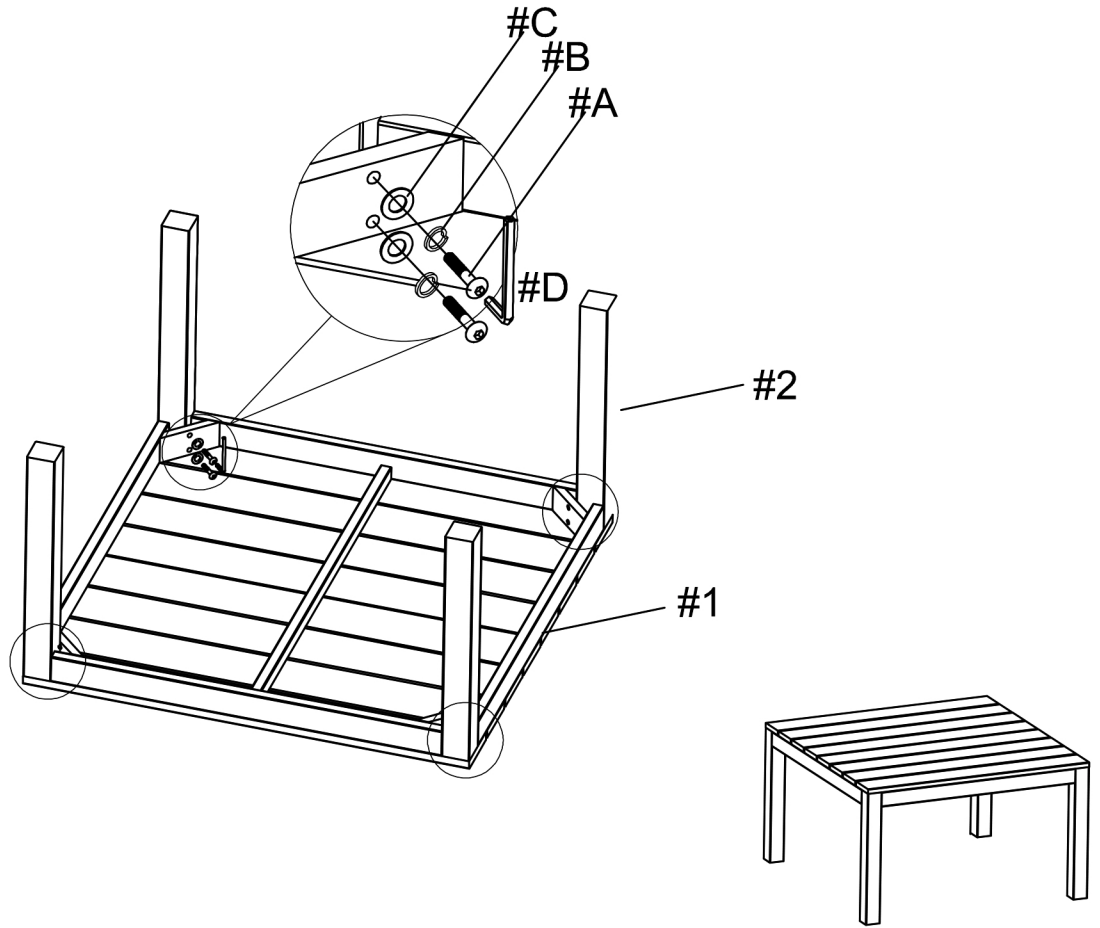


#D x 1pc
Allen Wrench



Align table legs (#2) to the table top (#1), then secure by using bolts (#A) with washers (#B,C).

#A x 8pcs
#B x 8pcs
#C x 8pcs



ASSEMBLY COMPLETED

