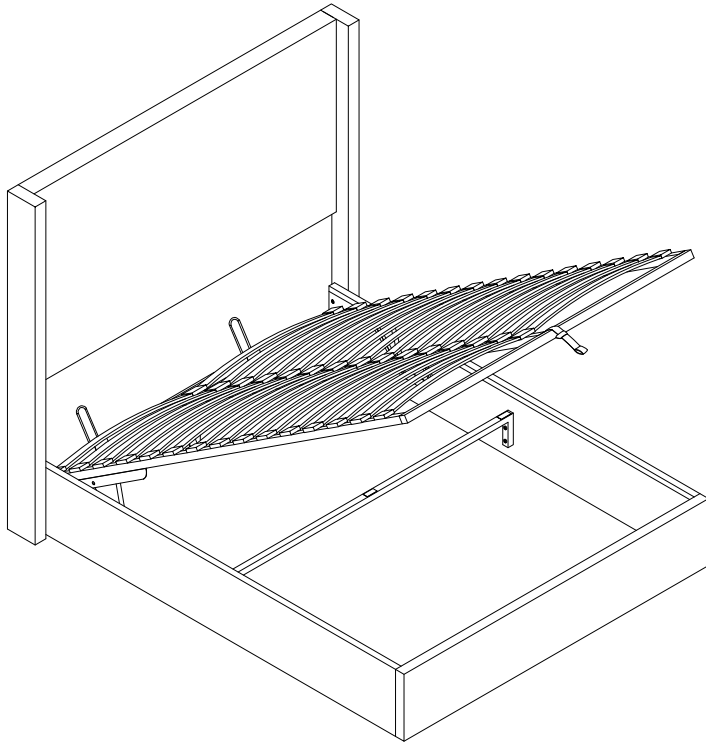


ASSEMBLY INSTRUCTION



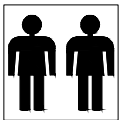
Important: Please unzip the zipper located behind the headboard to access all the components.



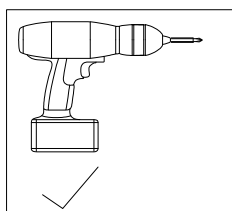
Please TEAR OFF this shrink film from side! **DO NOT USE CUTTER!**

IMPORTANT NOTE

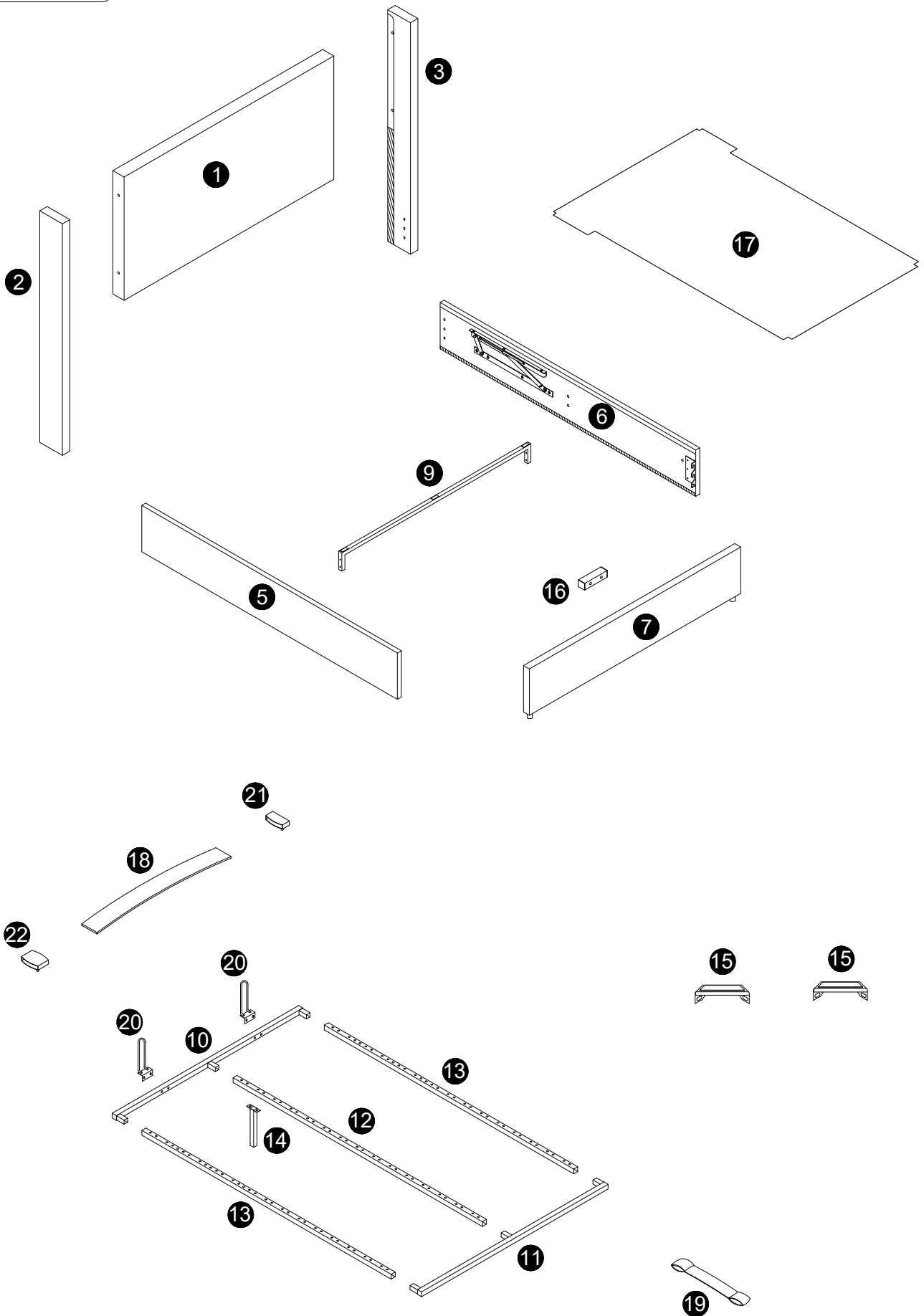
- 1. ALL OTHER PART INSIDE THE HEADBOARD PLEASE OPEN THE ZIPPER OF HEADBOARD, AND TAKE OUT ALL OTHER PART BEFORE ASSEMBLY.**
2. FOR THE PROTECTION OF YOUR FURNITURE, PLACE ALL PARTS ON A CLEAN AND SMOOTH SURFACE TO PREVENT ANY DAMAGE.
3. KEEP FITTINGS OUT OF CHILDREN'S REACH AND KEEP CHILDREN WELL AWAY FROM CONSTRUCTION AREA.
4. WHEN MOVING YOUR ASSEMBLED BED. IT IS BEST TO LIFT THE BED AND NEVER TO DRAG IT.
5. DO NOT USE THIS PRODUCT IF PARTS ARE MISSING, DAMAGED OR WORN.
6. THIS PRODUCT SHOULD ONLY BY USED ON FIRM, LEVEL GROUND.
7. PLEASE PERIODICALLY CHECK ALL FITTINGS AND RE-TIGHTEN AS NECESSARY.
8. DO NOT USE THE BED UNLESS ALL BOLTS AND SCREWS ARE FIRMLY SECURED.



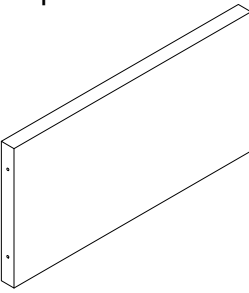
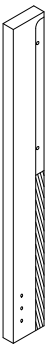
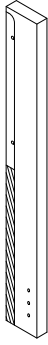
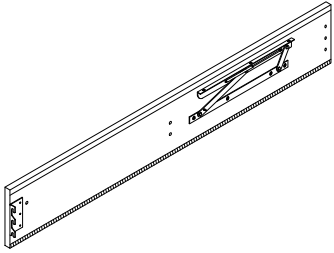
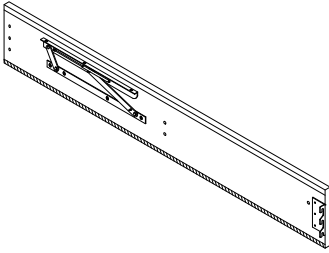
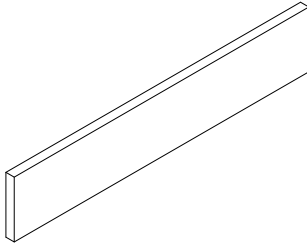
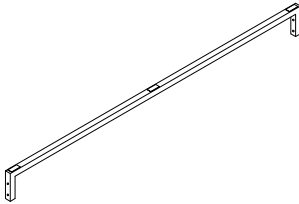
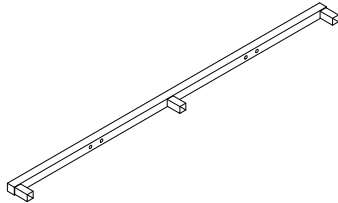
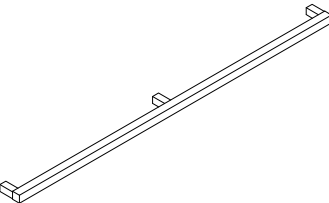
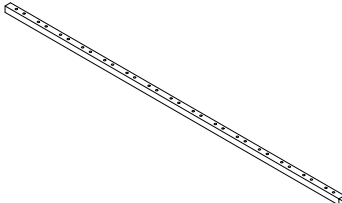
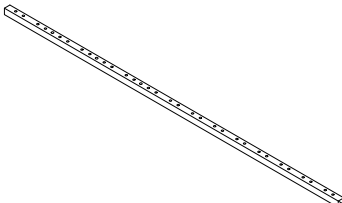
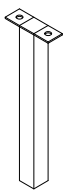
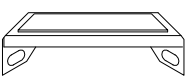
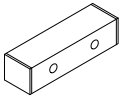
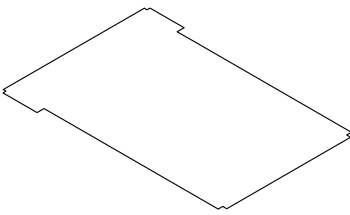
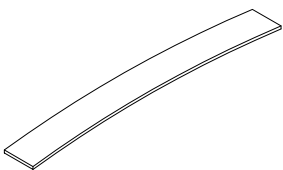
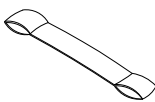
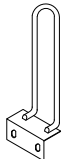
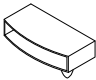
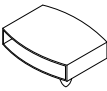
Minimum two person assembly



PART LIST



PART LIST

<p>1 x 1pc</p> 	<p>2 x 1pc</p> 	<p>3 x 1pc</p> 	<p>5 x 1pc</p> 
<p>6 x 1pc</p> 	<p>7 x 1pc</p> 	<p>9 x 1pc</p> 	<p>10 x 1pc</p> 
<p>11 x 1pc</p> 	<p>12 x 1pc</p> 	<p>13 x 2pcs</p> 	<p>14 x 1pc</p> 
<p>15 x 2pcs</p> 	<p>16 x 1pc</p> 	<p>17 x 1pc</p> 	<p>18 Double Size x 28pcs Queen Size x 30pcs</p> 
<p>19 x 1pc</p> 	<p>20 x 2pcs</p> 	<p>21 Double Size x 28pcs Queen Size x 30pcs</p> 	<p>22 Double Size x 14pcs Queen Size x 15pcs</p> 

HARDWARE LIST



H1 M5 x 1pc



H2 M8x25mm x 28pcs



H4 M8x50mm x 22pcs



H5 M8 x 10pcs



H6 M8x22mm x 10pcs



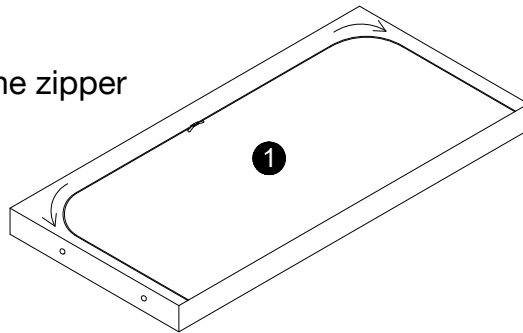
H7 M8 x 6pcs



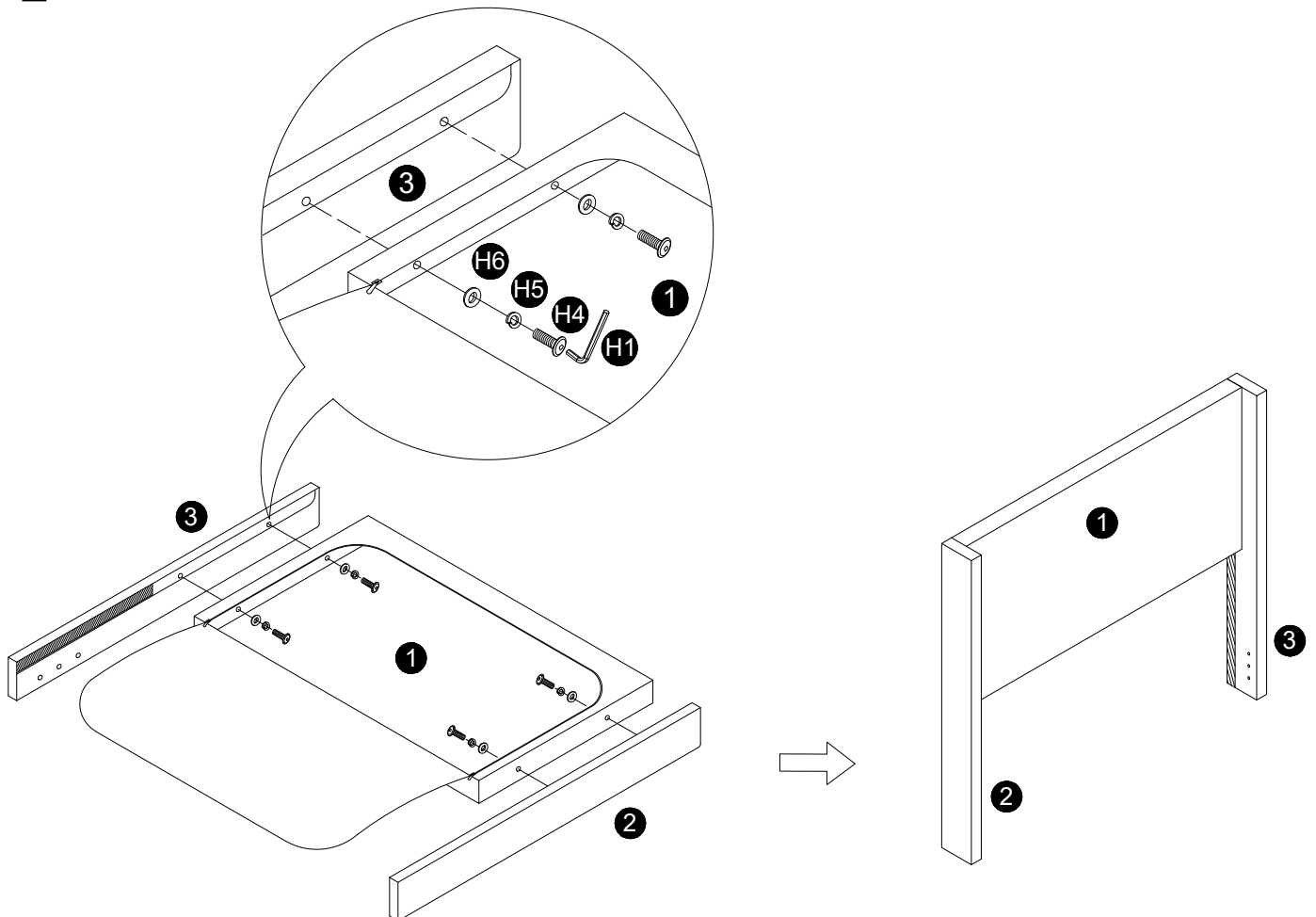
H8 M14 x 1pc

1 **NOTE:** PLEASE OPEN THE ZIPPER ON THE BACK OF **1** AND TAKE OUT THE PARTS.

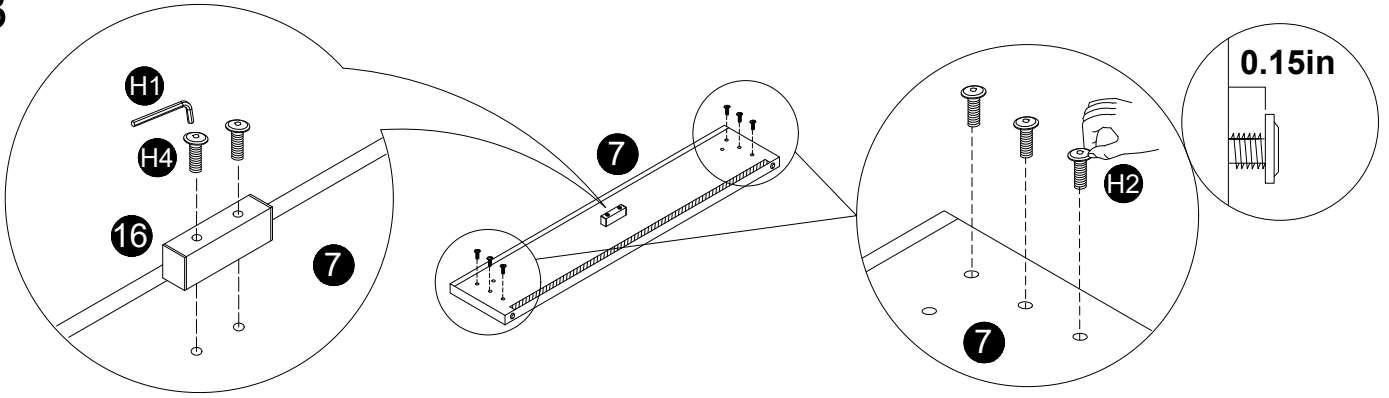
Open the zipper



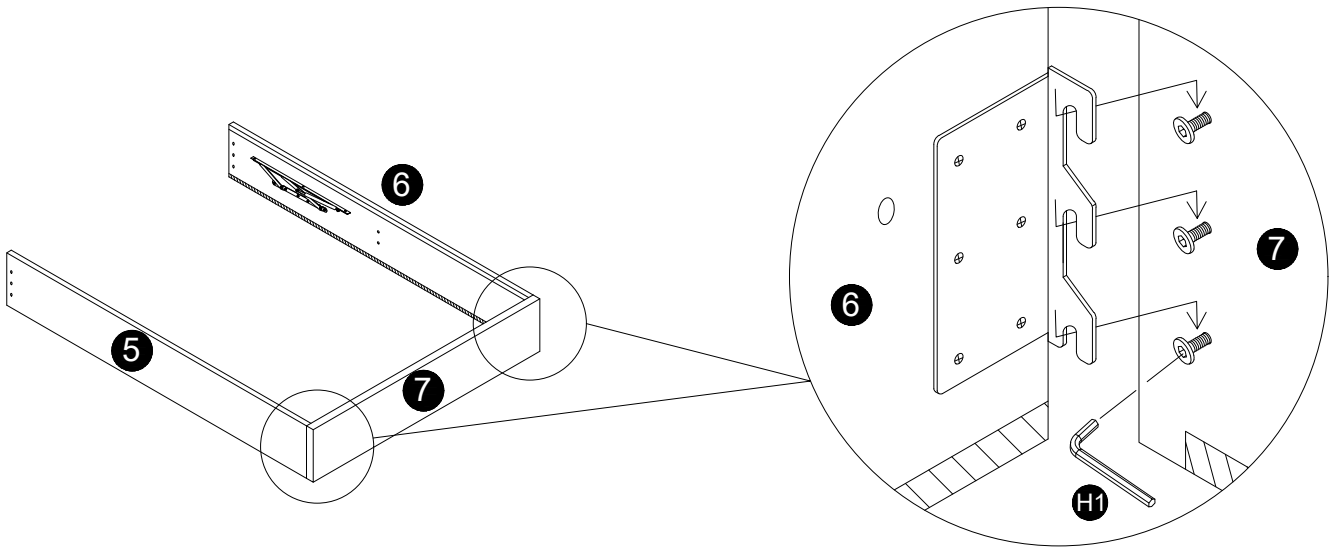
2



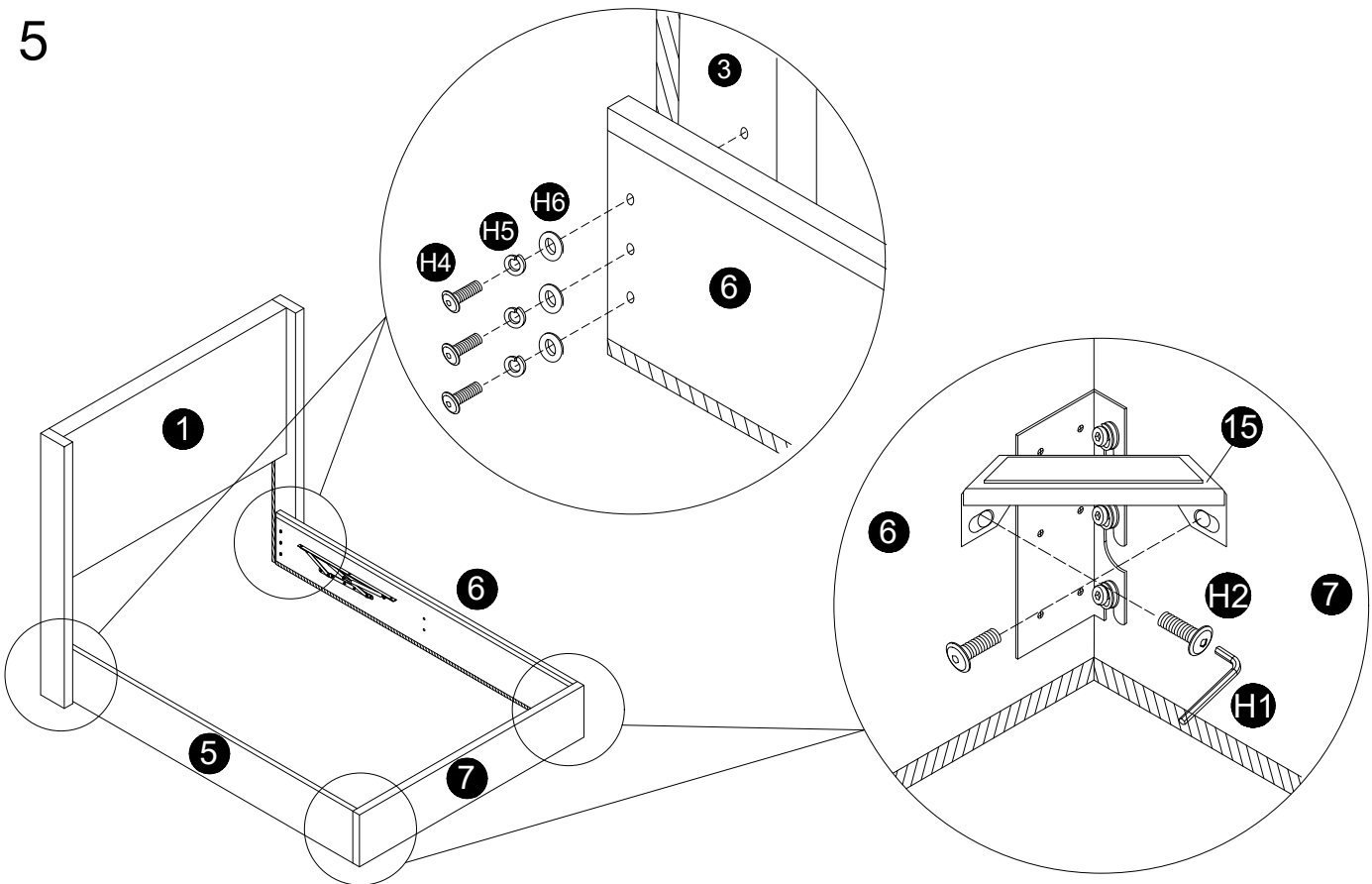
3



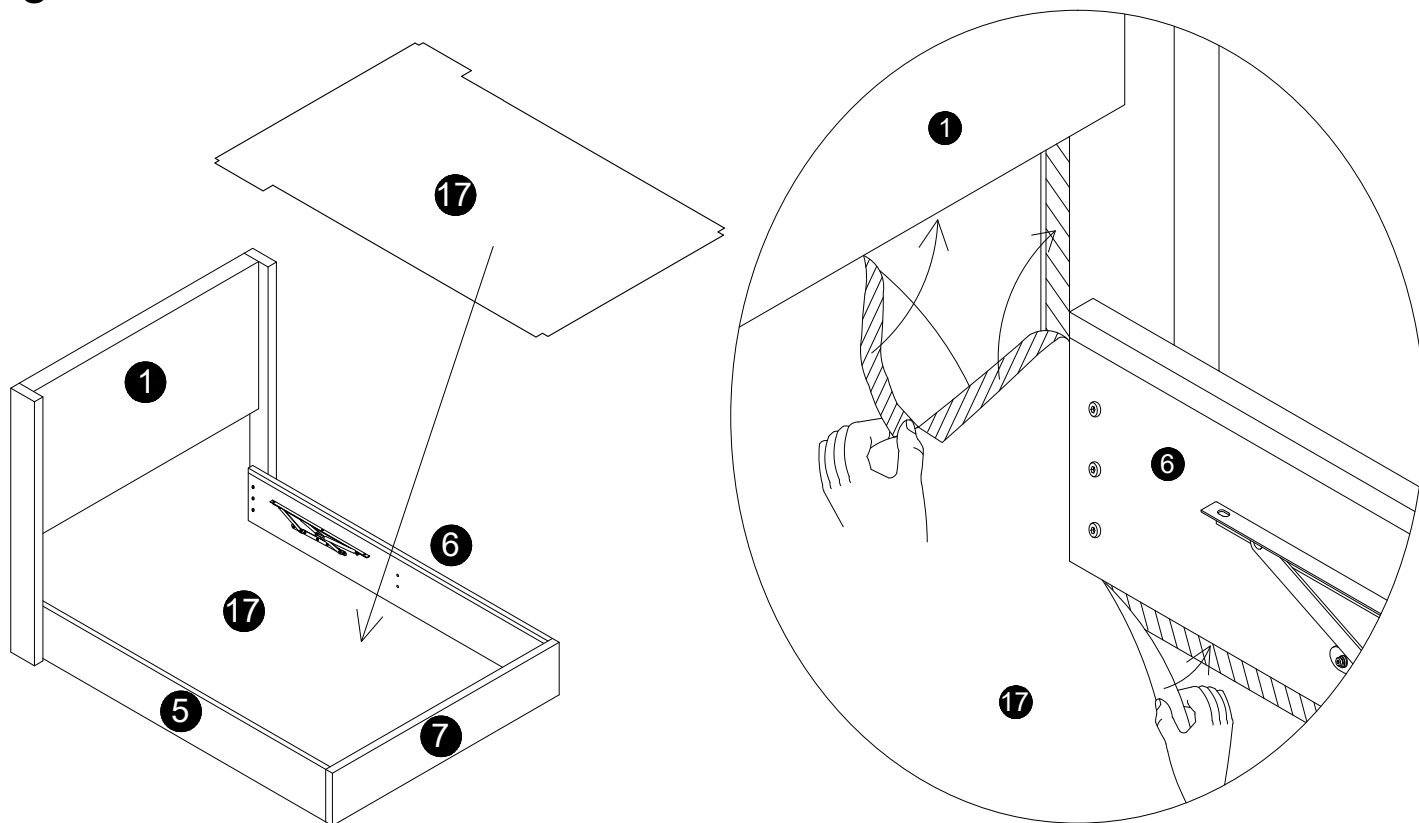
4



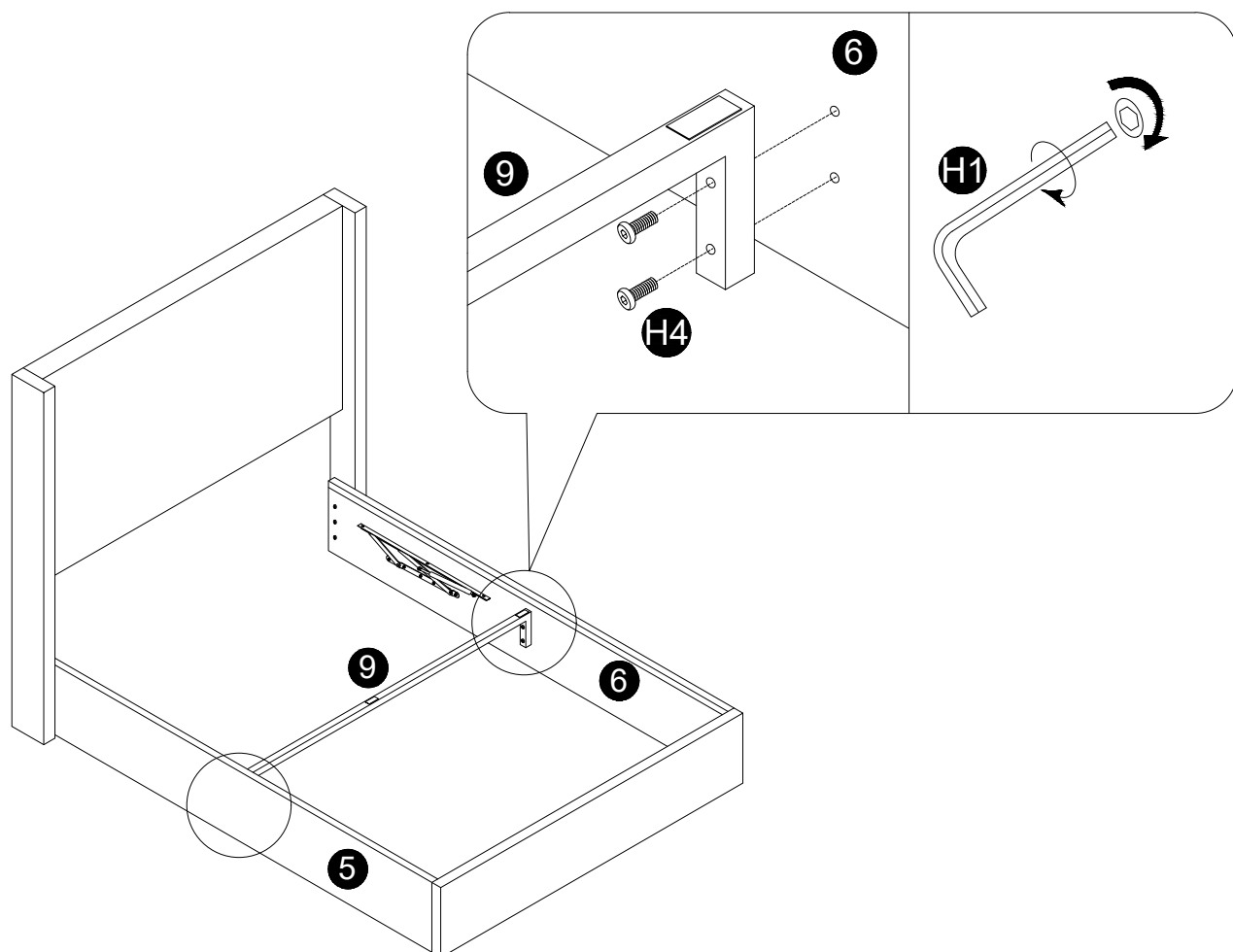
5



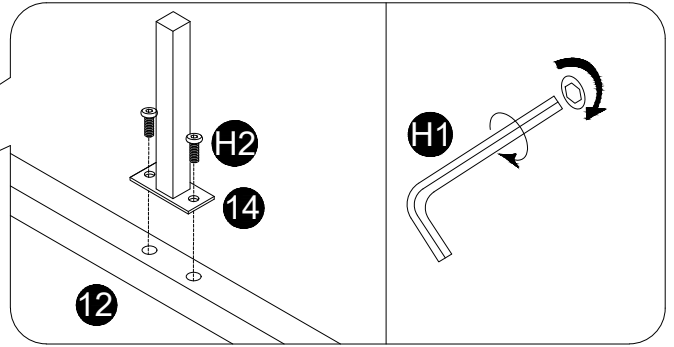
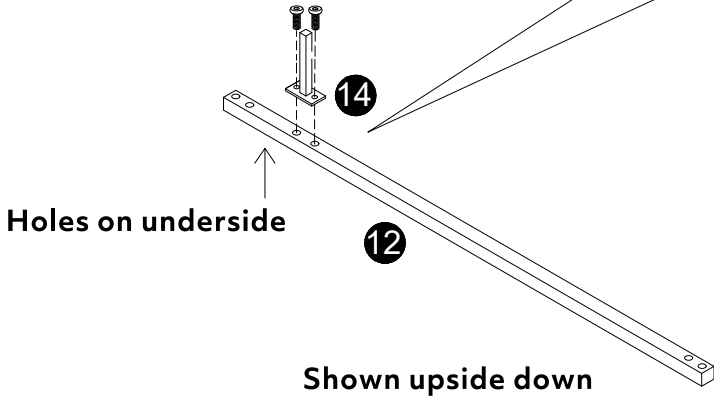
6



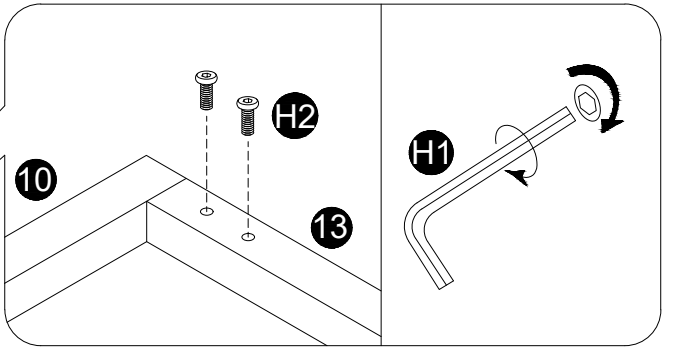
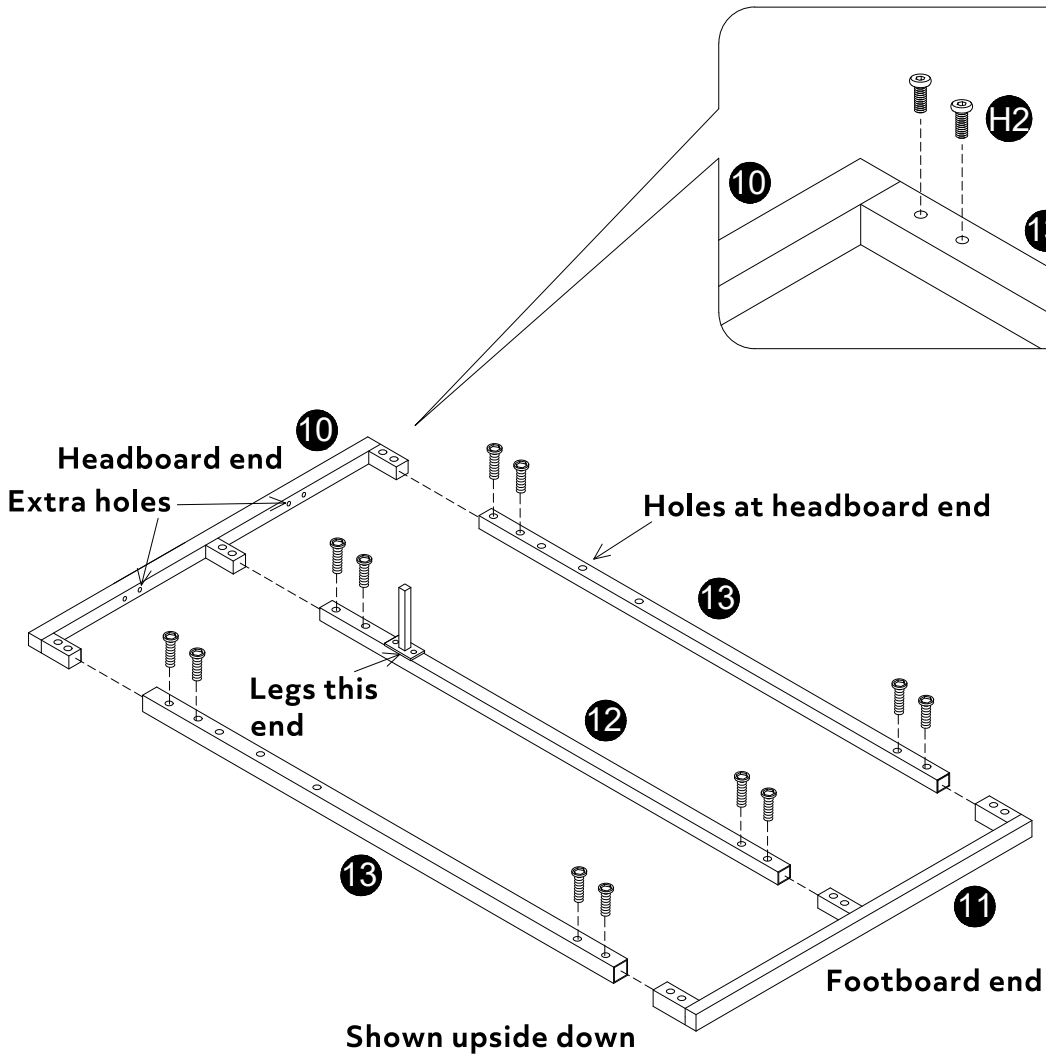
7



8

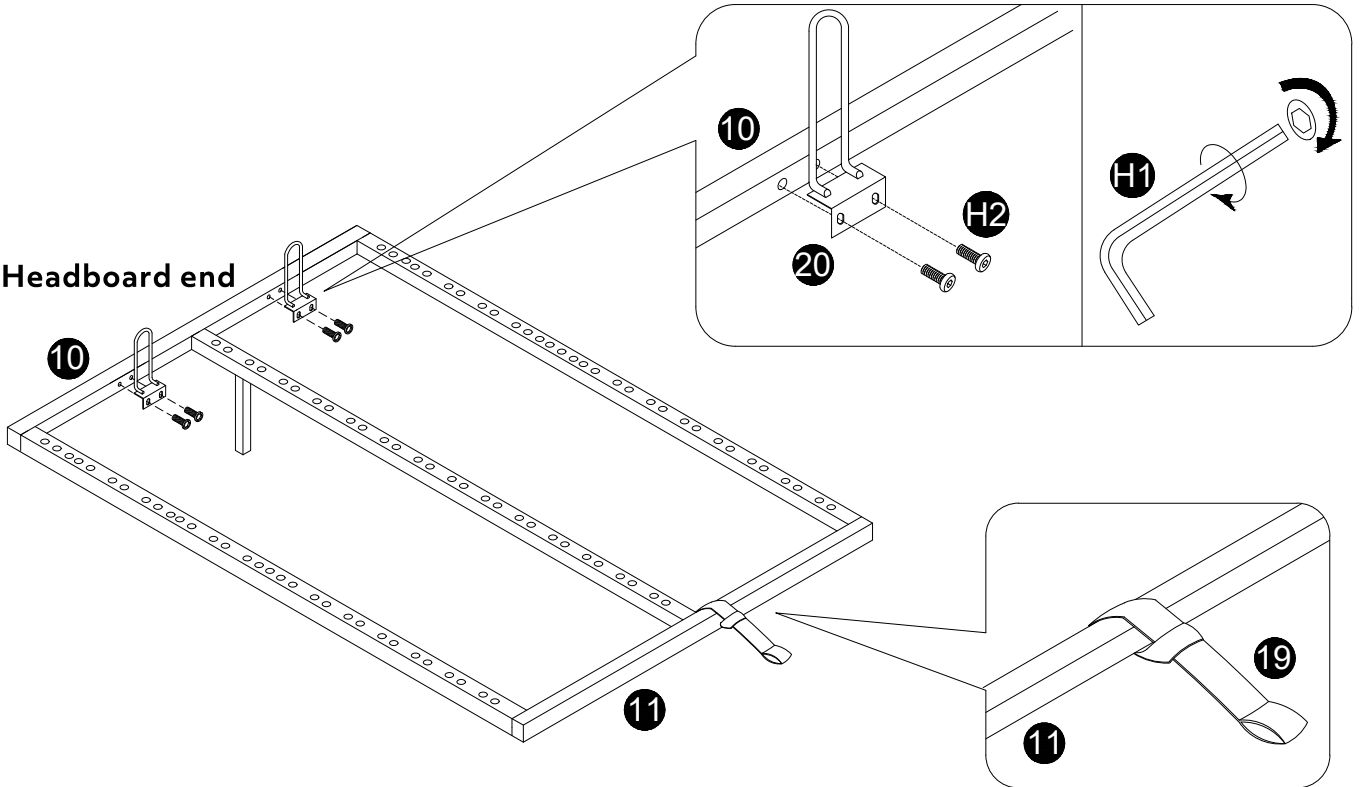


9

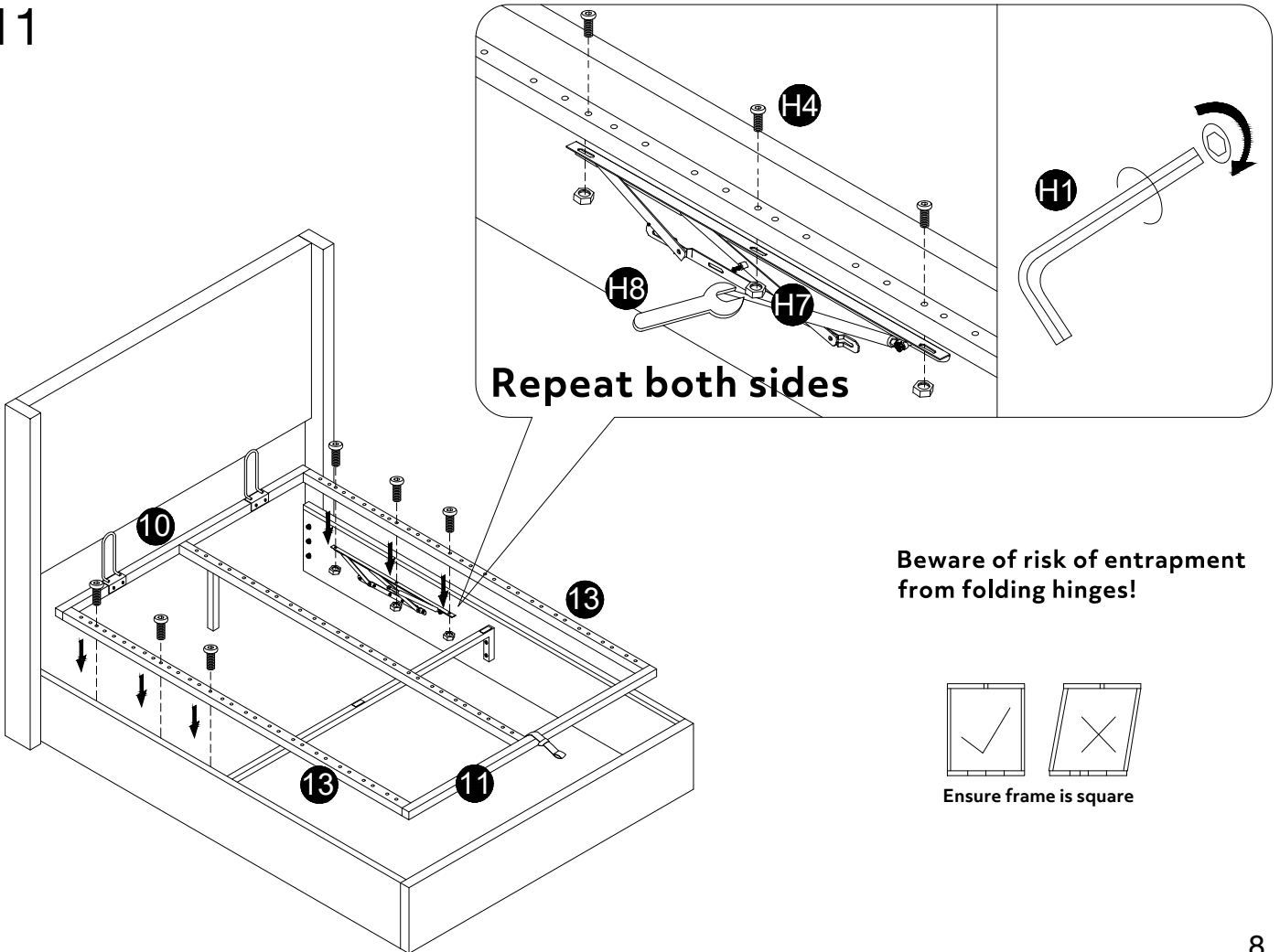


10

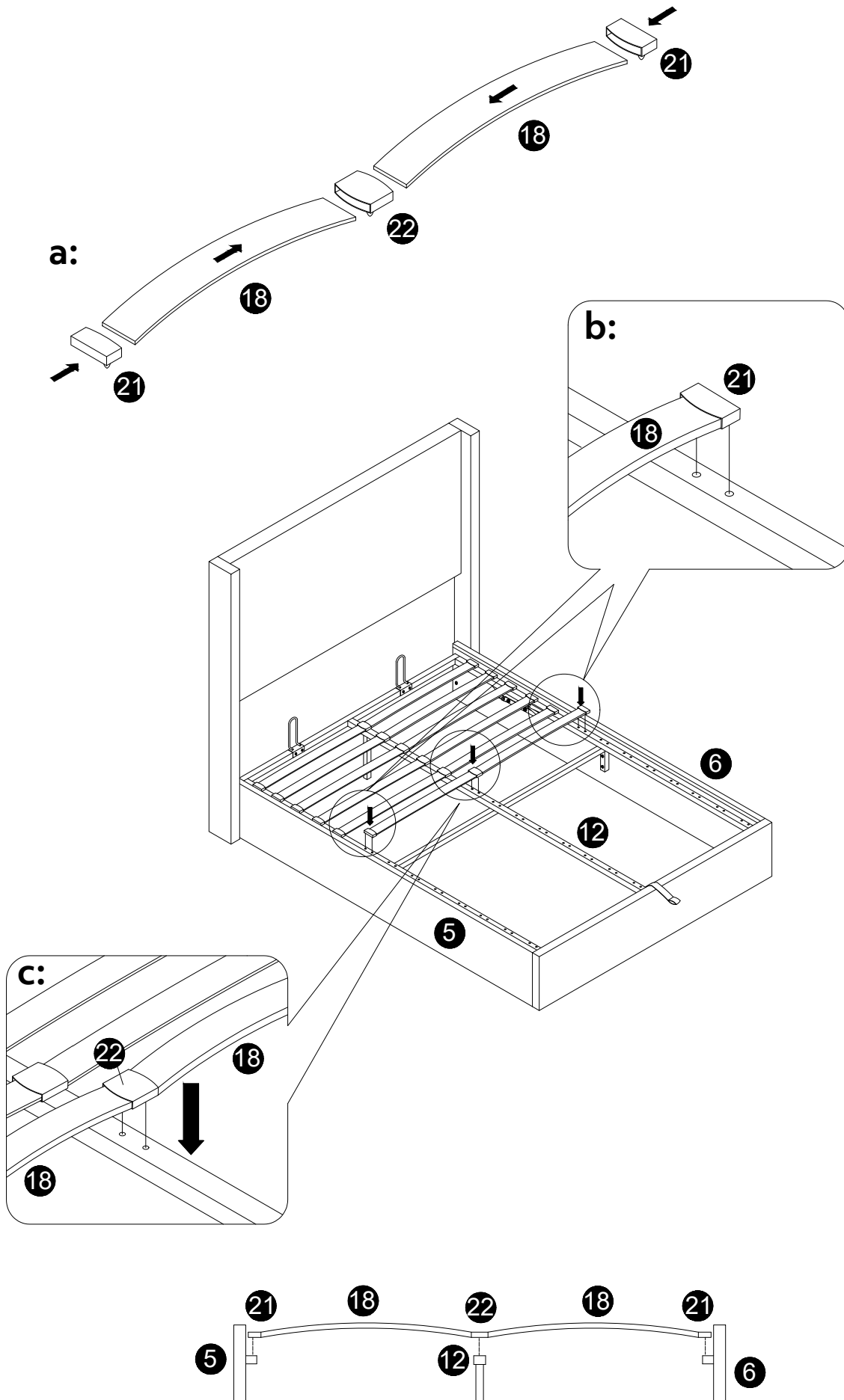
Headboard end



11

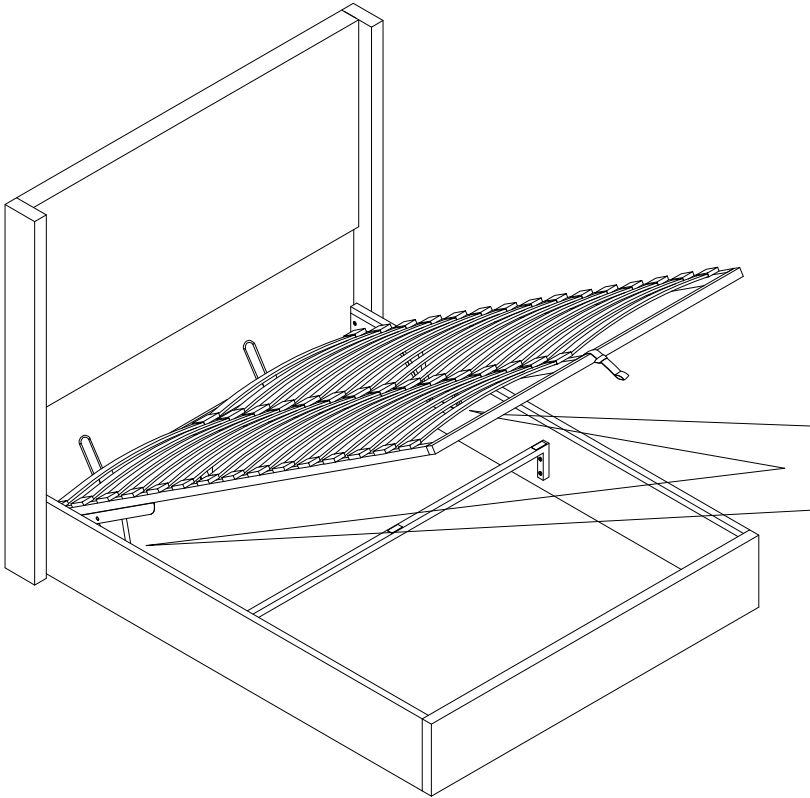


12

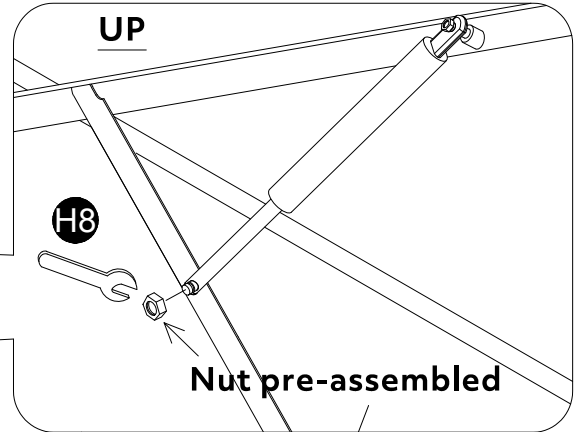


Slats to arch upwards

13



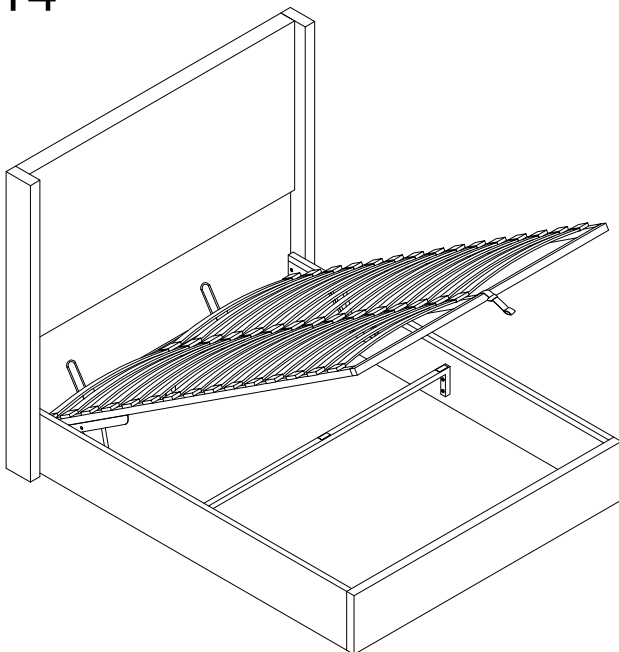
Warning: Two people required. Frame to be fully supported at all times!



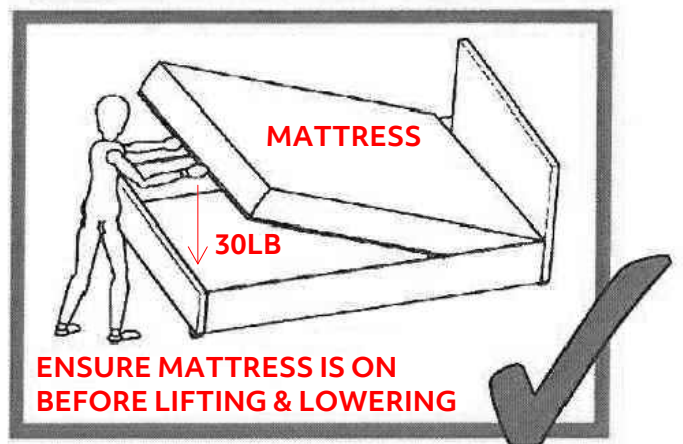
Repeat both sides

Important: Before proceeding, check and ensure all screws and fixings are fully tightened.

14



After placing the mattress on frame, push down the frame with 30lbs force.



! Only lift when the mattress is in place. Place mattress & Carefully lower frame down. Keep objects/body part & children away from moving parts.

Job Complete !

In the interest of our environment please dispose of all packaging thoughtfully.