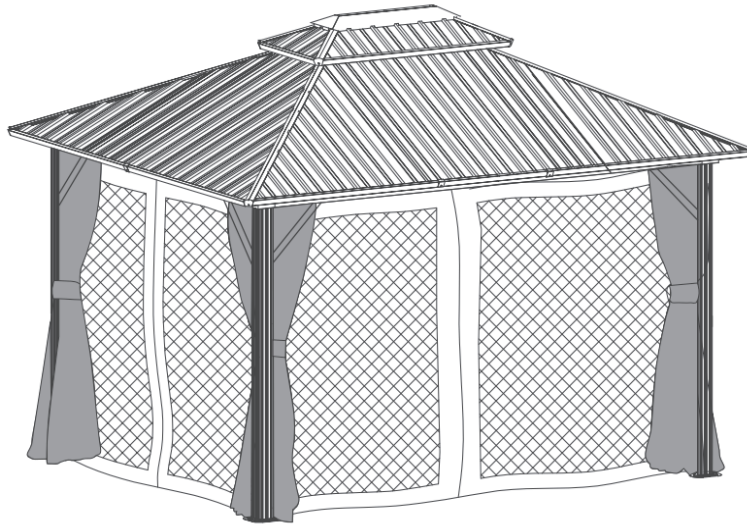




HOTEEL

USE AND CARE GUIDE

10*12 FT DOUBLE ROOF HARD TOP GAZEBO



Product comes packaged in 2 boxes that might not arrive together; Safety measures and professional installation are highly recommended.

Questions, problems, missing parts? Before returning to the store, please contact our Customer Service

service.canopy@outlook.com

We appreciate the trust and confidence you have placed in HOTEEL through the purchase of our product. We strive to continually create quality products designed to enhance your home. Visit us online to see our full line of products available for your home improvement needs.

Thank you for choosing HOTEEL.

Making The Best Outdoor Furniture For You


Made in China


Before Starting Assembly:

- Read all instructions thoroughly.
- Open and check boxes for parts list.
- If any parts are broken or missing, please call or email customer service.
- Keep all packaging until you are satisfied with your product.
- Returns are not accepted without original packaging.
- Make sure you have ample space for assembly.

Safety Information

- Tighten each bolt firmly and properly. Do not completely tighten screws until all screws are started.
- Some parts may contain sharp edges. Wear protective gloves as necessary.
- Children under the age of 16 should not be engaged in the assembly, removal or disassembly of the product. Children under the age of 10 should be supervised by a competent adult while using this furniture.
- Please keep children out of the assembly area during assembly.
- Never use this product as a support. Do not shake, lean, or climb on the product at any time.
- Do not erect the structure in heavy winds or inclement weather.
- Do not leave up this unit for extended periods of time, as it is not a permanent structure or designed to withstand sustained wind or rain. It is a temporary shelter that shields you from sunlight and rain.
- The screens also block flying insects.
- Do not use candles, matches, or any open flames near the tent.

 **DANGER:** Do not allow children to play with plastic wraps or small parts to prevent potential choking hazard.

 **CAUTION:** Read all the instructions before assembly. Failure to do so may result in faulty assembly and potential injury!

Pre Assembly Note



1. Four or more people are required for assembly.



5. Wearing protective gloves is recommended.



2. You will need one or more stepladders.



6. Use the allen key in the box.



3. For ease of construction, you may need touse a drill.



7. Please use a Phillips screwdriver.

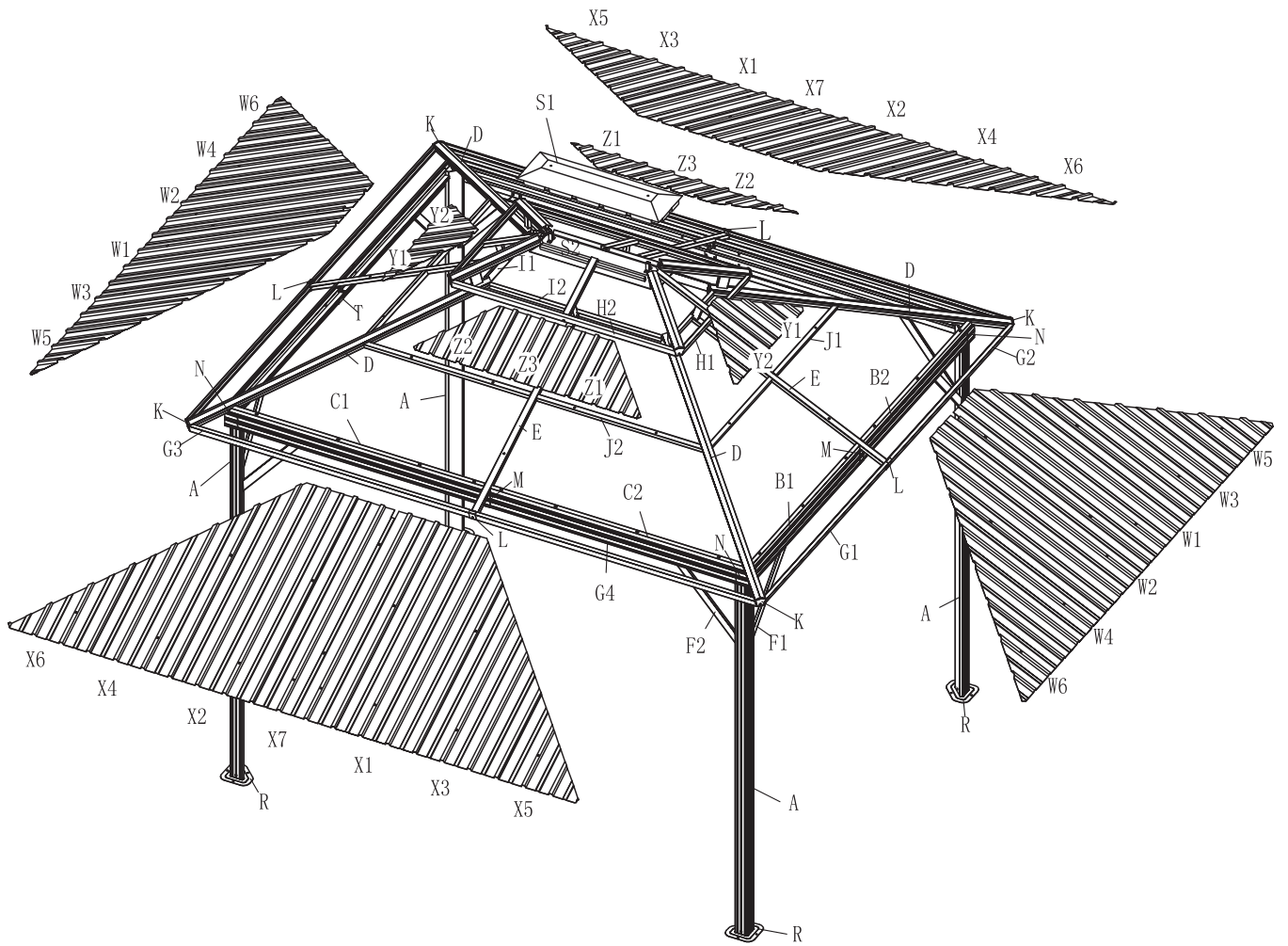


4. You may need a safety hat.



8. Do not fully tighten screws prior to complete assembly.









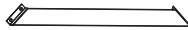


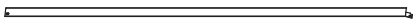





REFERENCE IMAGE:









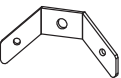
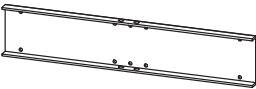
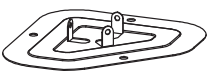
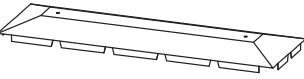
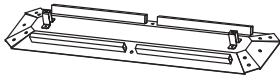
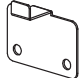


Note: Hardware not shown to actual size.

PARTS LIST

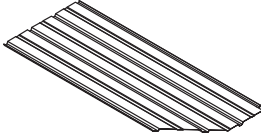
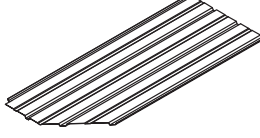
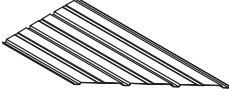
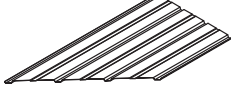
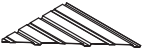
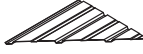
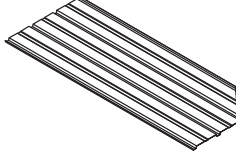
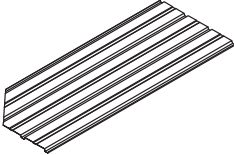
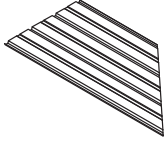
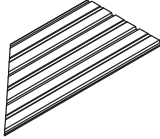


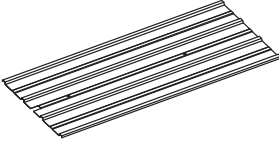


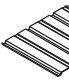

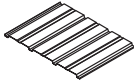
ASSEMBLY INSTRUCTION

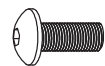


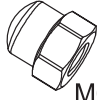



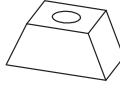


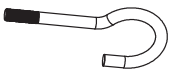

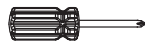

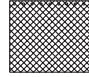
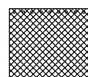


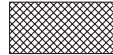

PARTS NO	QTY	DESCRIPTION	PICTURE
A	4	Pole	
B1	2	Beam	
B2	2	Beam	
C1	2	Beam	
C2	2	Beam	
D	4	Corner Roof Bar	
E	4	Roof Bar	
F1	4	Corner Solidifying Bar	
F2	4	Corner Solidifying Bar	
G1	2	Sidewall Track	
G2	2	Sidewall Track	
G3	2	Sidewall Track	
G4	2	Sidewall Track	
H1	2	Finishing Bar	
H2	2	Finishing Bar	
I1	2	Net Frame	
I2	2	Net Frame	

PARTS LIST

PARTS NO	QTY	DESCRIPTION	PICTURE
J1	2	Solidifying Bar	
J2	2	Solidifying Bar	
K	12	Finishing End	
L	8	Joint Cover	
M	4	Joint Cover	
N	4	Corner Cover	
P	4	Connecting Patch	
Q	4	Union Bar	
R	4	Base	
S1	1	Outside Roof Connection	
S2	1	Inside Roof Connection	
T	4	Joint Cover	
U	16+1	Metal Bracket	
V	60+2	Metal Bracket	

PARTS LIST

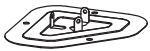
PARTS NO	QTY	ROOF PANEL	PARTS NO	QTY	ROOF PANEL
W1	2		W2	2	
W3	2		W4	2	
W5	2		W6	2	
X1	2		X2	2	
X3	2		X4	2	
X5	2		X6	2	
X7	2		Y1	2	
Y2	2		Z1	2	
Z2	2		Z3	2	

PARTS NO	QTY	DESCRIPTION	PICTURE	PARTS NO	QTY	DESCRIPTION	PICTURE
1#	140+4	Screws	 M6 * 15 mm	2#	46+3	Screws	 M6 * 25 mm
3#	32+2	Screws	 Ø10*20-M6 * 10 mm	4#	28+2	Screws	 M6
5#	50+5	Rubber Gasket		6#	12	Expansion Screws	
7#	2	Allen Key		8#	44	Spacer	
10#	24+2	Screws	 ST5×12mm	11#	96+10	Hook	
12#	2	Lamp Hook		13#	1	Wrench	
14#	1	Phillips screwdriver		15#	12	Ground nail	
AA1	2	Mosquito side wall		AA2	2	Mosquito side wall	
BB1	2	Side Curtain		BB2	2	Side Curtain	
CC	1	Roof Net		DD	1	Gloves	

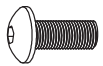
STEP 01



A x4



R x4

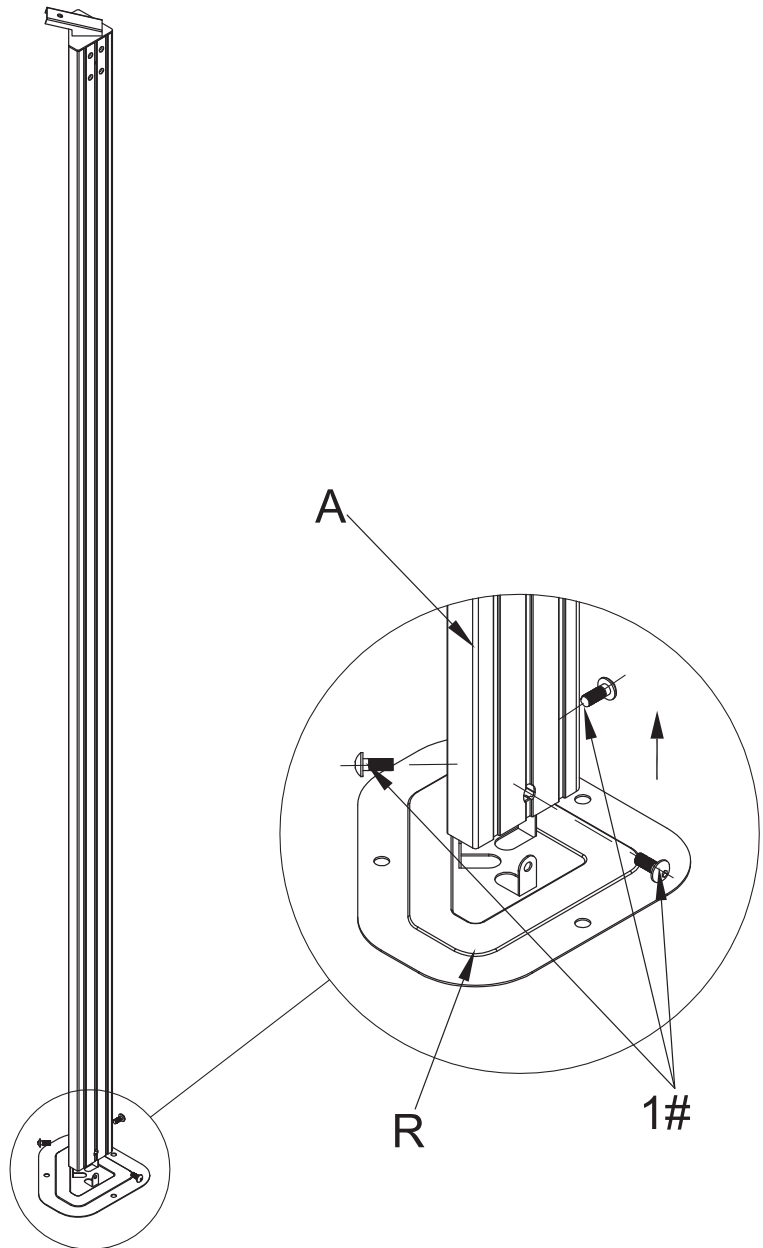


M6*15

1# x12



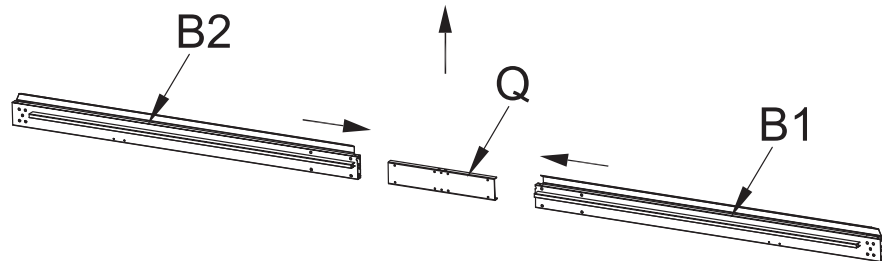
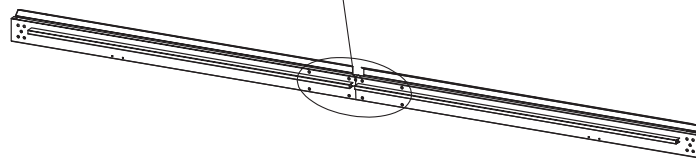
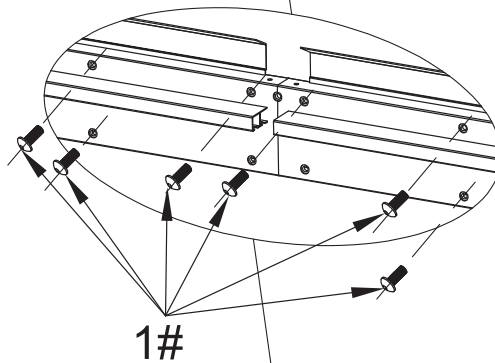
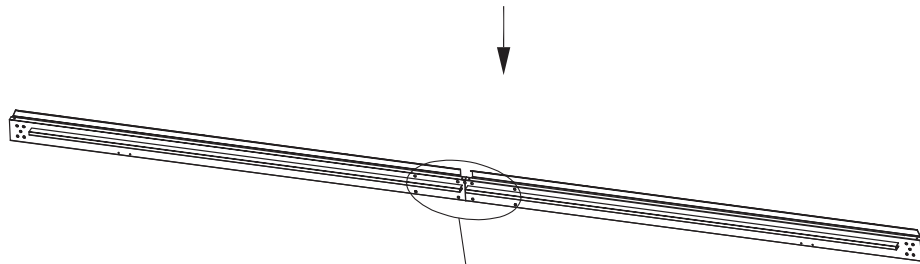
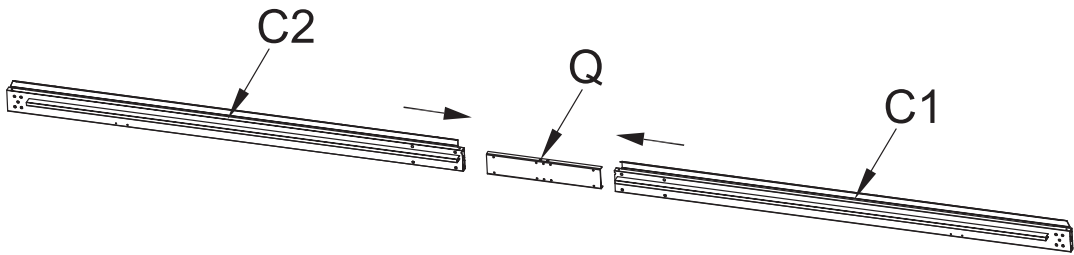
7# x1



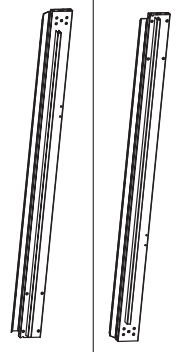
Set up poles (Part A) with stand plates (Part R) using screws 1# as shown in diagram.

STEP 02

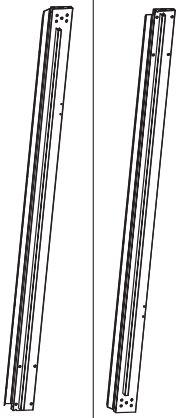
Connect Part C1 and C2 into one beam using union bar (Part R) with screws 1#.



Connect Part B1 and B2 into one beam using union bar (Part R) with screws 1#.



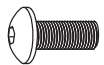
B1 x2 B2 x2



C1 x2 C2x2



Q x 4



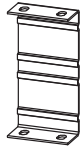
M6*15

1# x24



7# x1

STEP 03



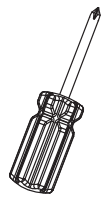
M x4

Affix middle beams using joint cover (Part M) and screws 10# as shown in diagram.

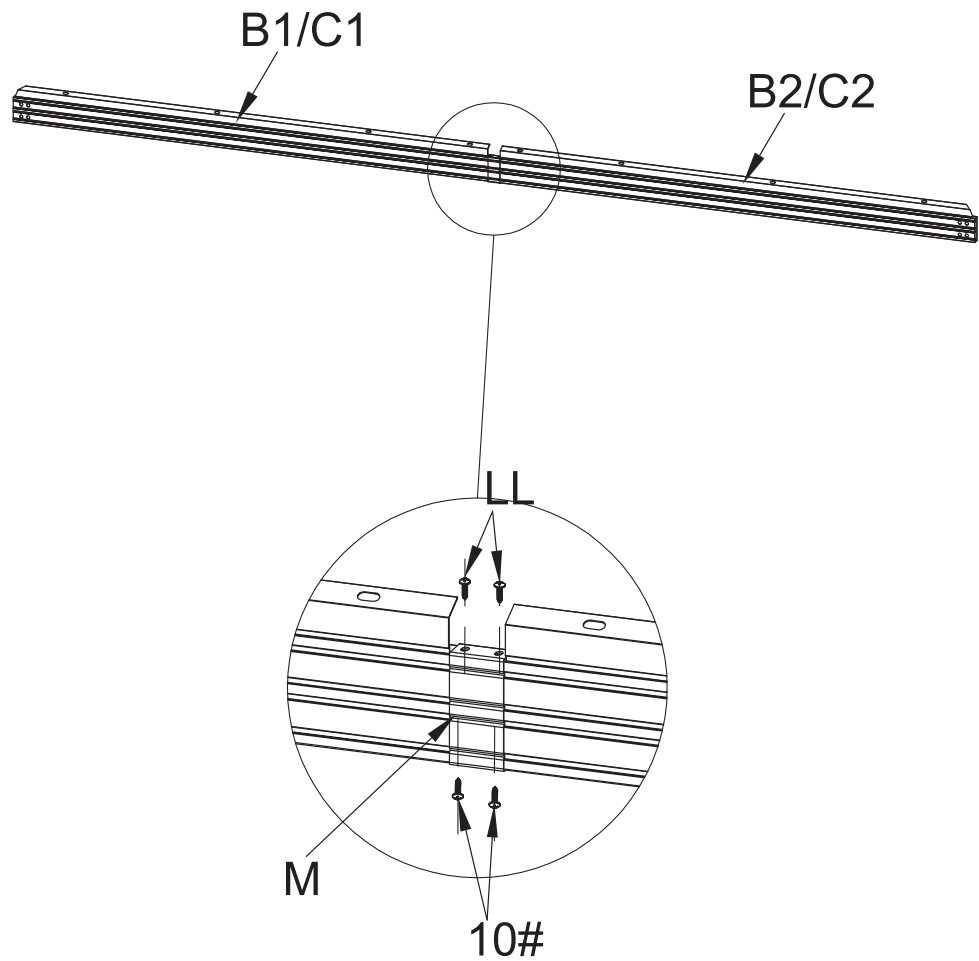


ST5*12

10# x16



14# x1



STEP 04



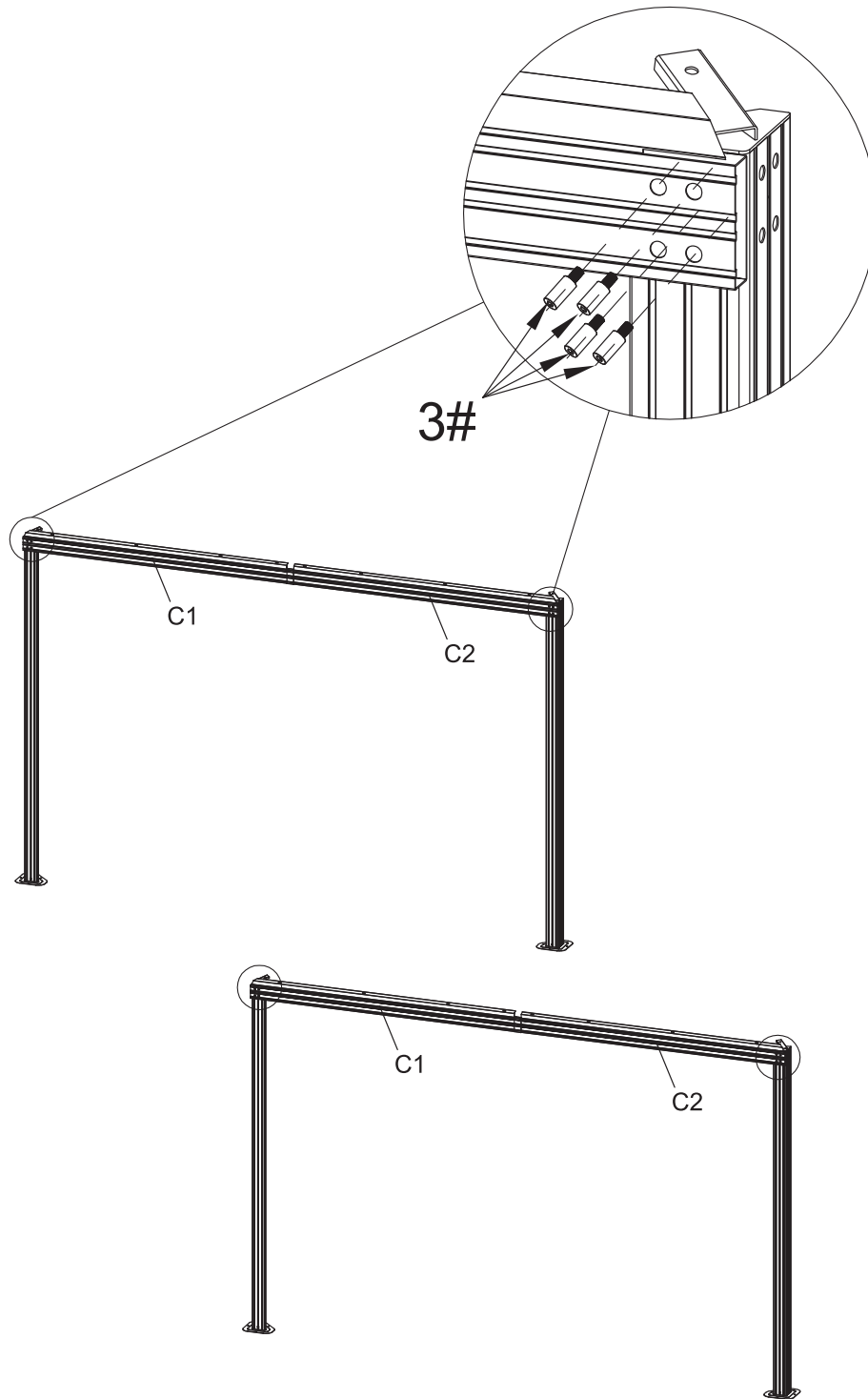
Ø10*20-M6*10

3# x 16



7# x 1

Use screws 3# to connect poles and beams together as shown in diagram.

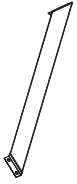


STEP 05

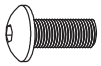
Affix the frame with corner cover solidifying bars (Part F1&F2) using screws 1#.



F1 x 2



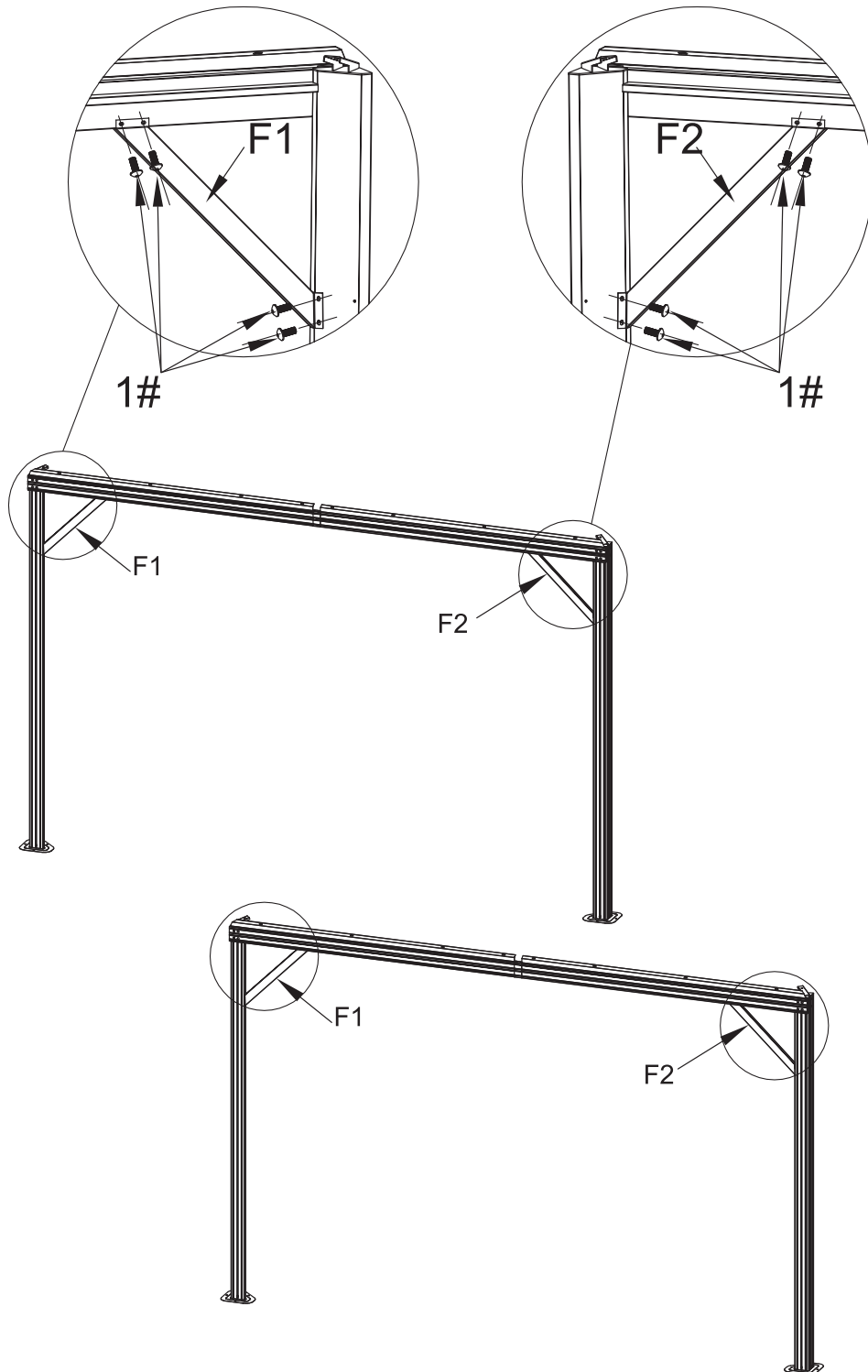
F2 x 2



M6*15
1# x 16



7# x 1



STEP 06

Finish connecting beams using 4 corner covers (Part N) and screws 10# as shown in diagram.



N x 4



Ø10*20-M6*10

3# x 16

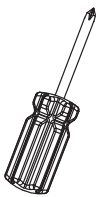


ST5*12

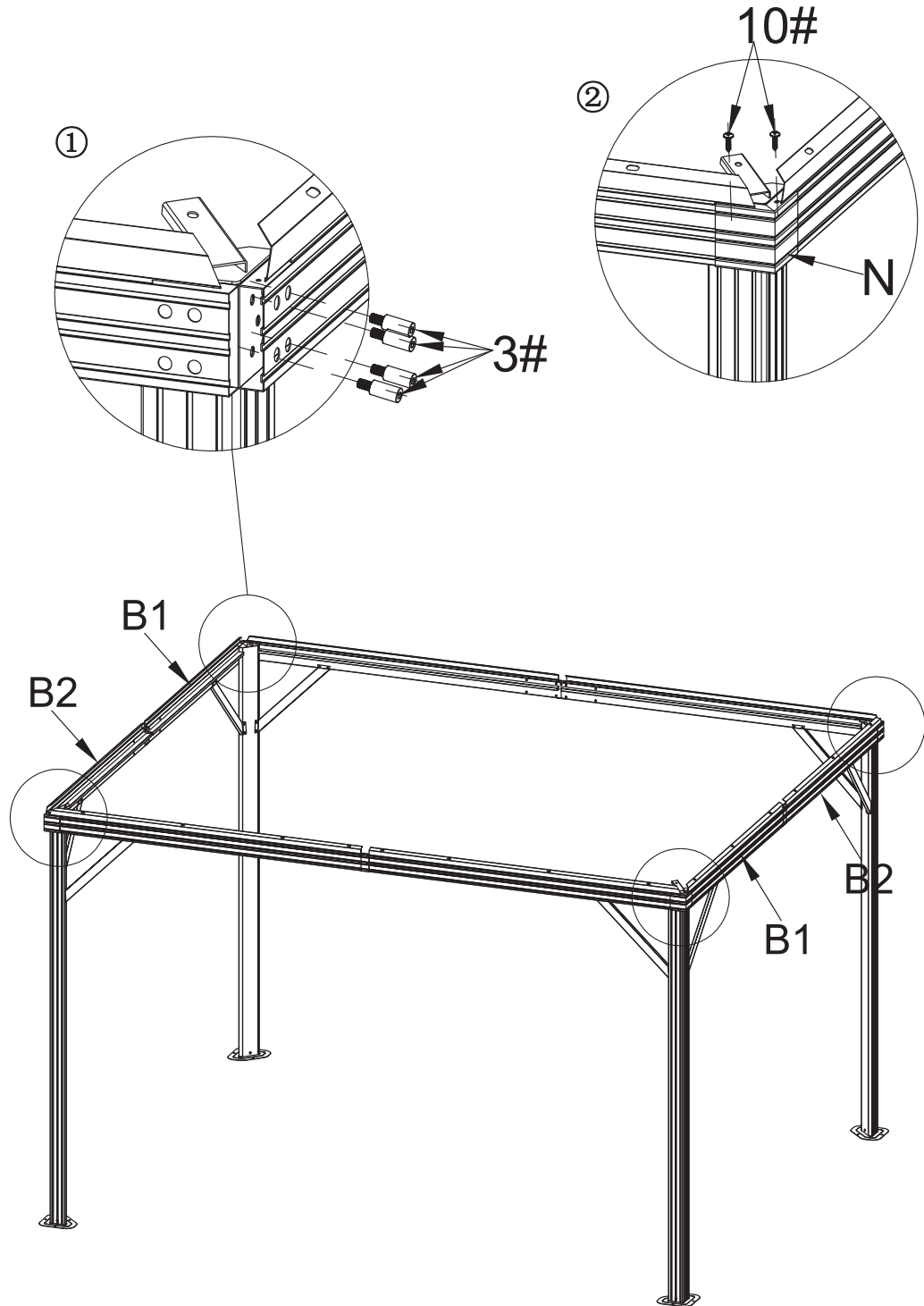
10# x 8



7# x1



14# x1



STEP 07

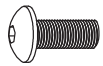
Affix the frame with corner cover solidifying bars (Part F1&F2) using screws 1# as shown in diagram.



F1 x 2



F2 x 2

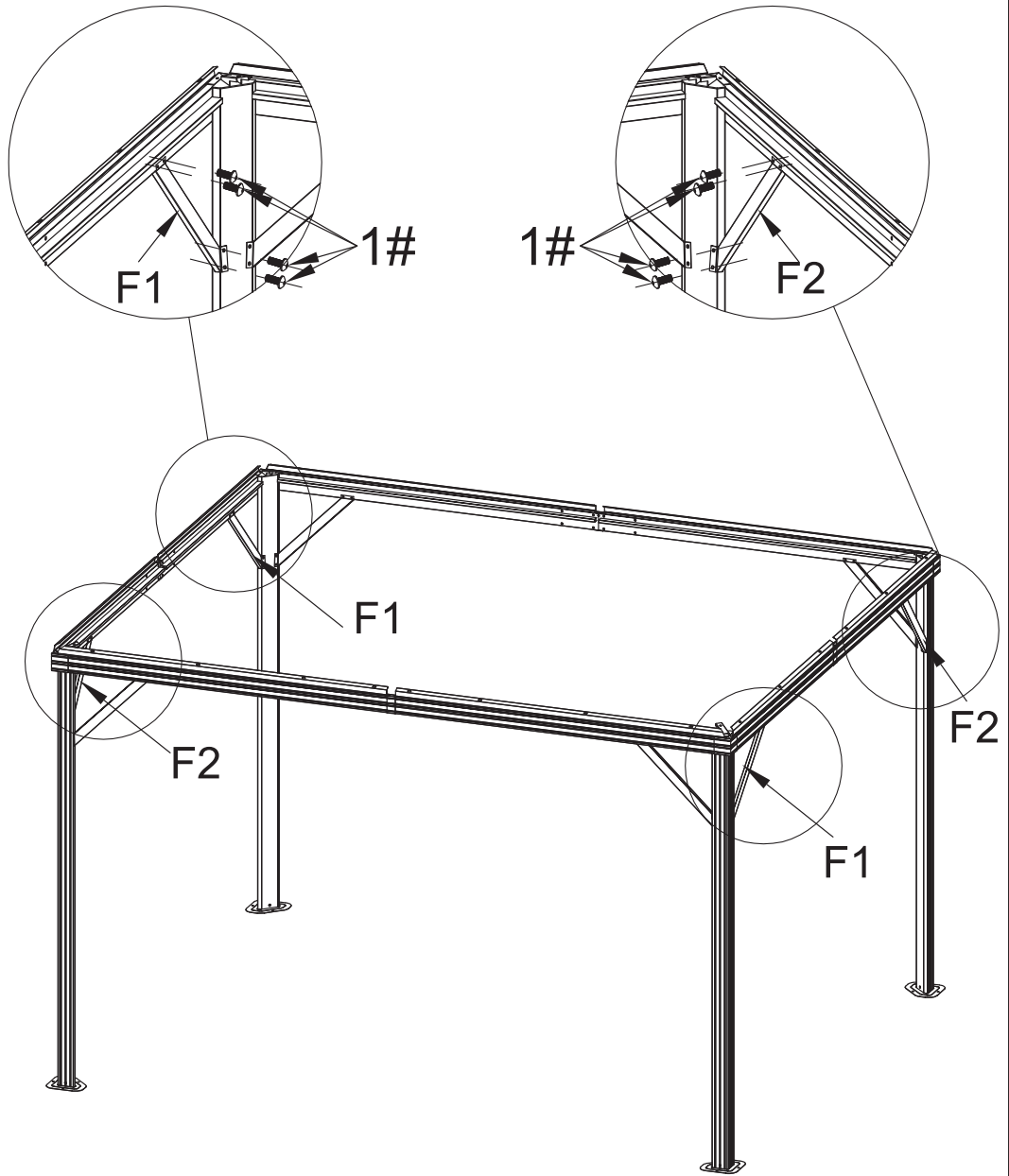


M6*15

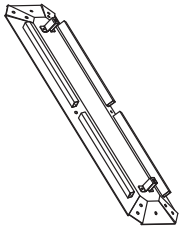
1# x 16



7# x 1



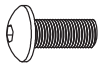
STEP 08



S2 x 1



D x 4



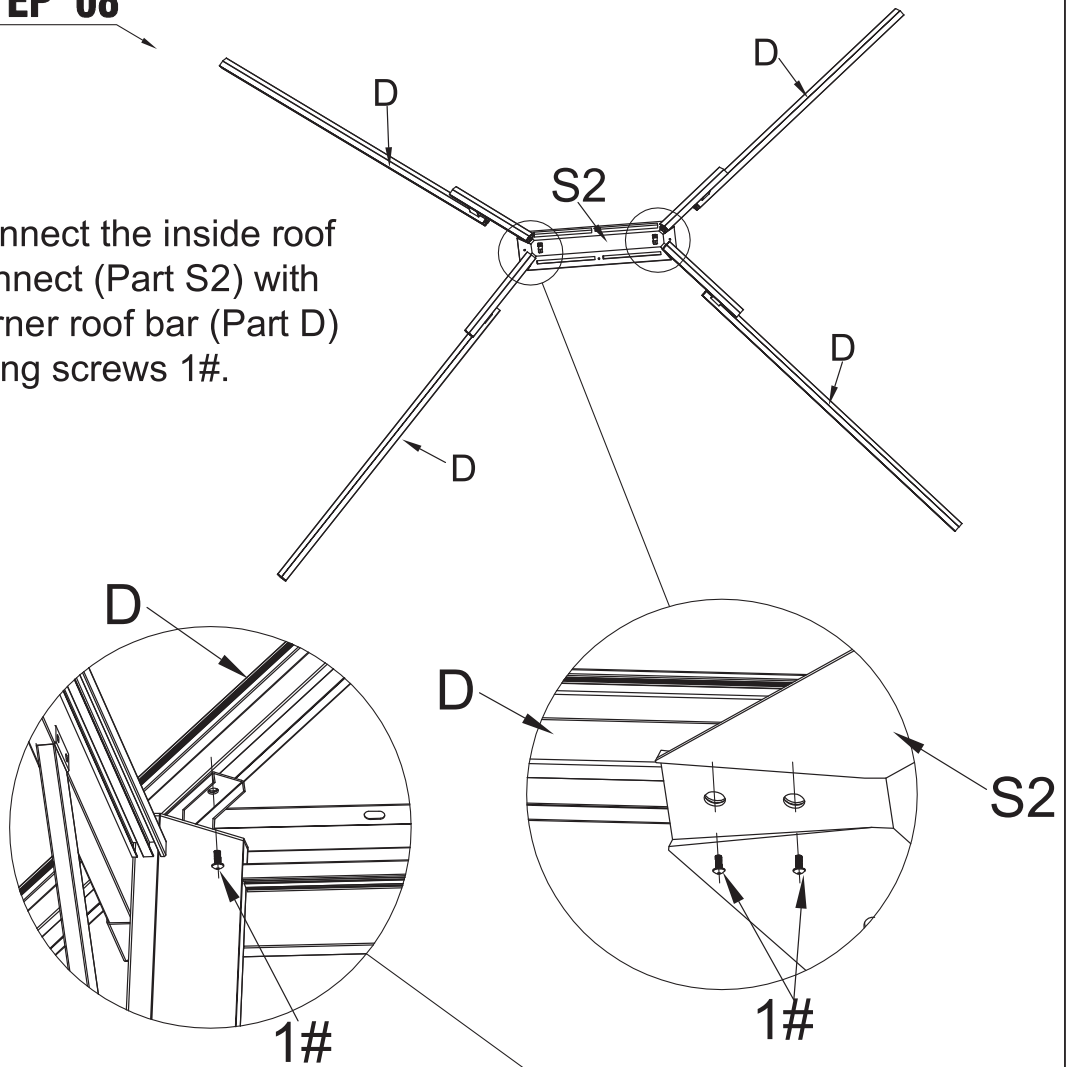
M6*15

1# x 12

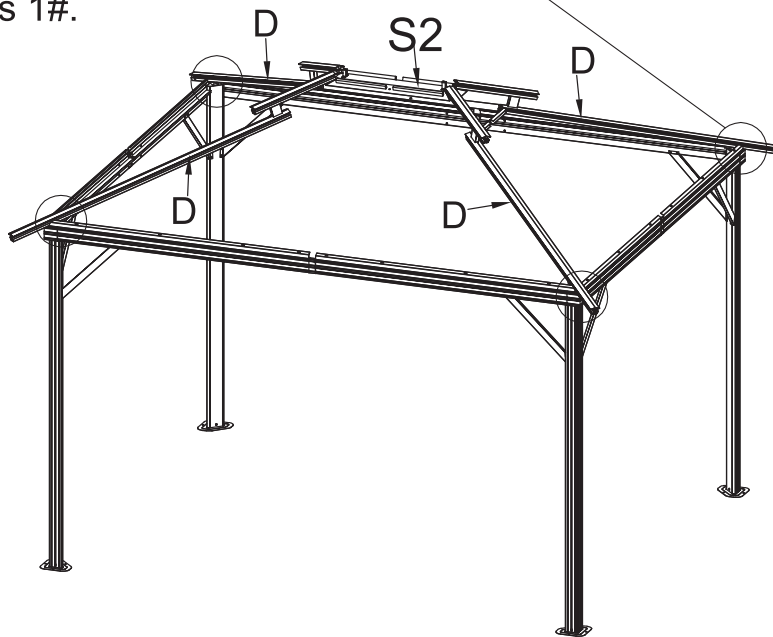


7# x1

Connect the inside roof connect (Part S2) with corner roof bar (Part D) using screws 1#.



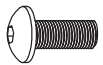
Attach corner roof bar (Part D) to main frame using screws 1#.



STEP 09



E x 4



M6*15

1# x 8



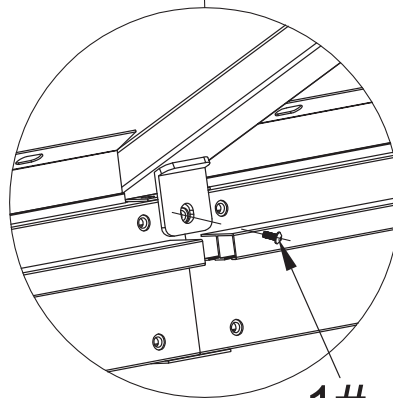
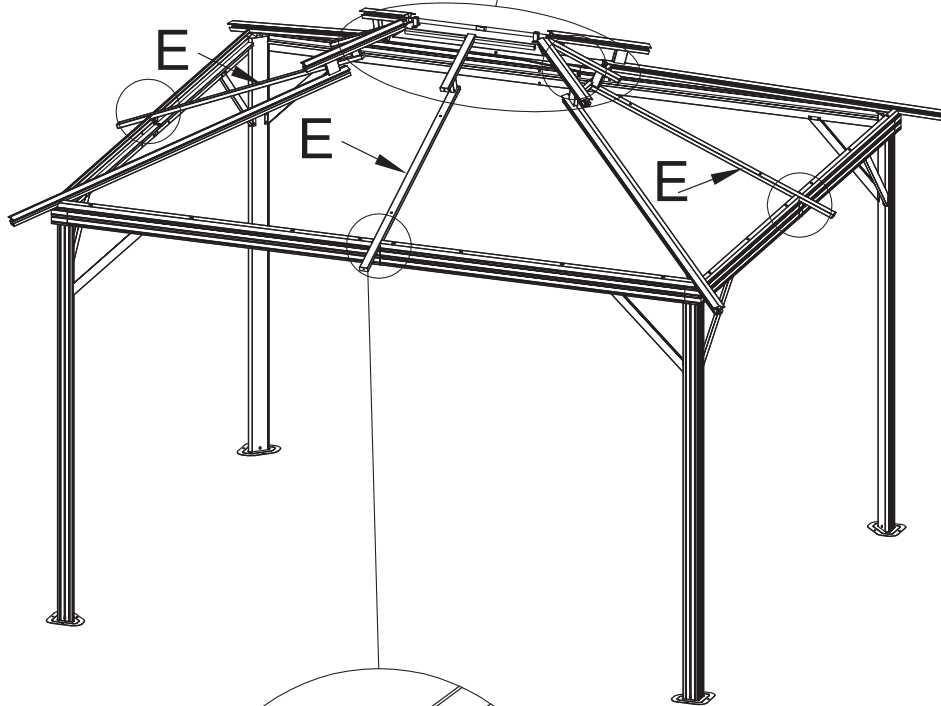
7# x1

Attach roof bar (Part E) to inside roof connector (Part S2) and main frame using screws 1#.

E

S2

1#



1#

STEP 10

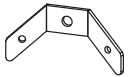
Attach net frames (Part#J1 & J2) with connecting patch (Part P) using screws 1#, you may need to bent the frame ends a little to make it match the joint.



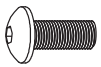
J1x2



J2x2



P x 4

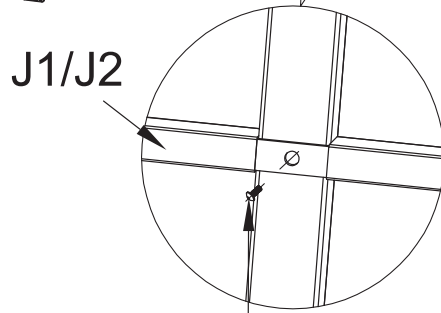
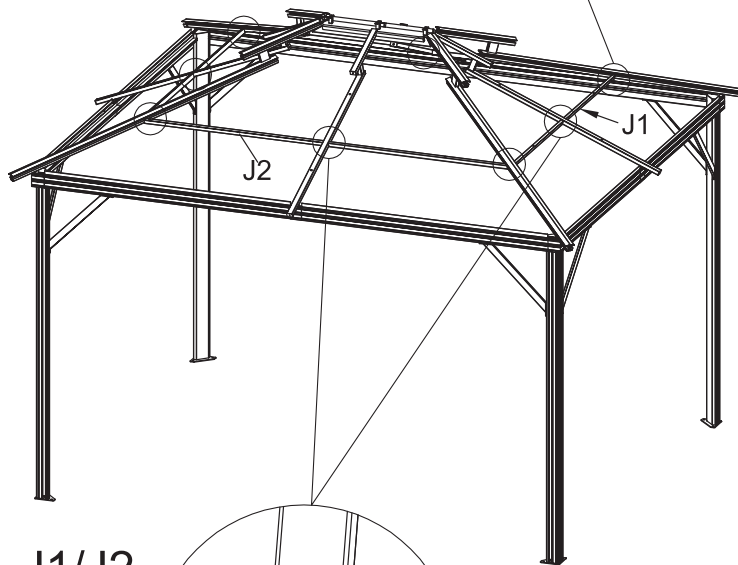
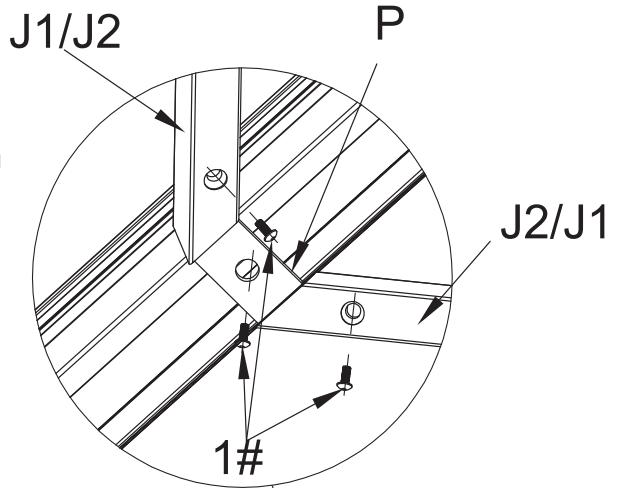


M6*15

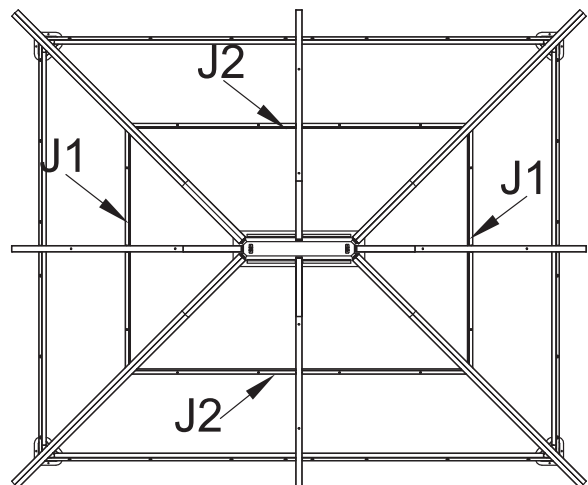
1# x 16



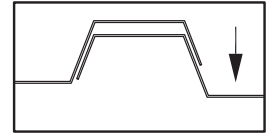
7# x1



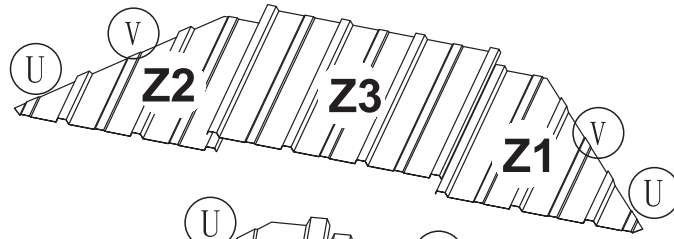
1#



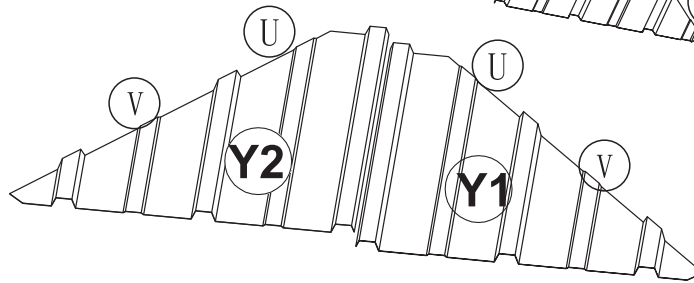
STEP 11



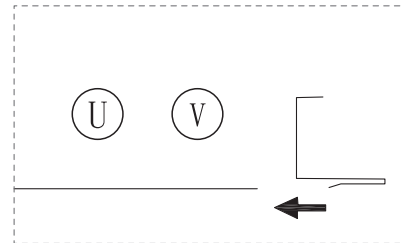
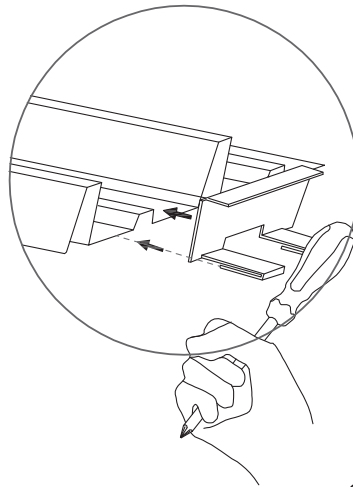
Y1 x 2



Y2 x 2

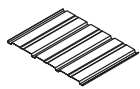
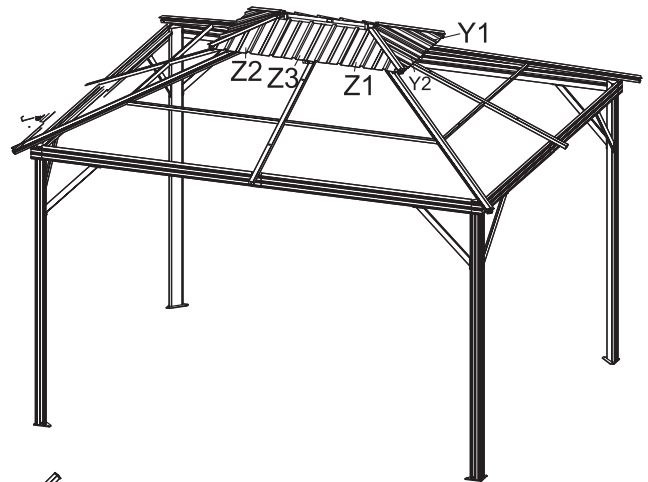


Z1 x 2

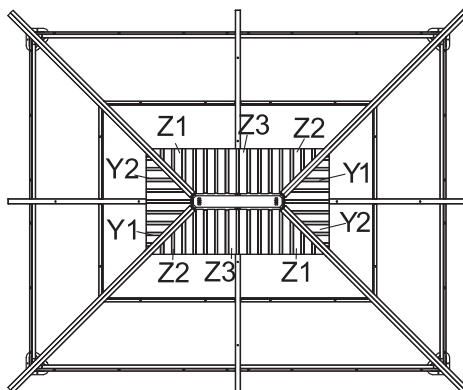


Z2 x 2

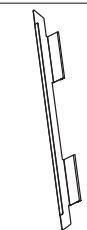
Cover metal bracket (Part Z1&Z2&Z3&Y1&Y2) to roof panels as shown in diagram.



Z3 x 2



Mind Roof Panel Falling! Do NOT stand under the roof except the installer with a safety hat!



U x 8 V x 8

STEP 12

Affix middle beams using joint cover (Part L) and screw (1#) as shown in diagram.



H1 x 2



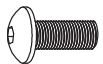
H2 x 2



K x 4



L x 4

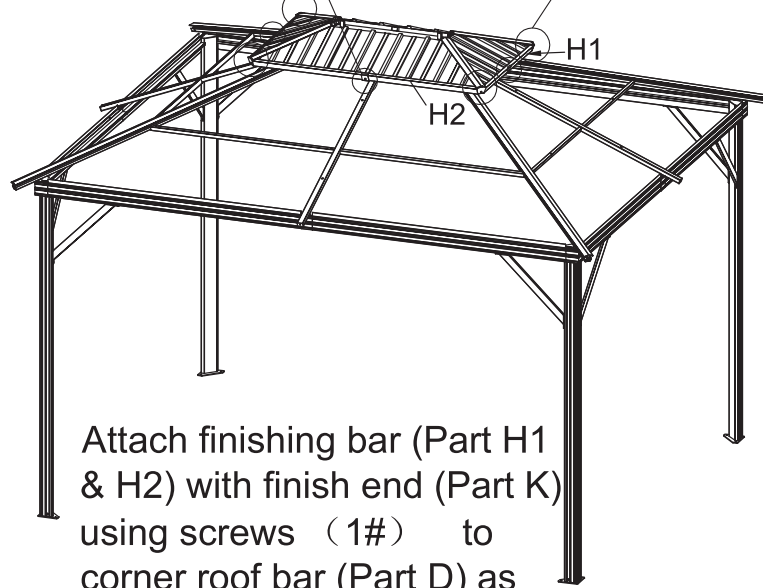
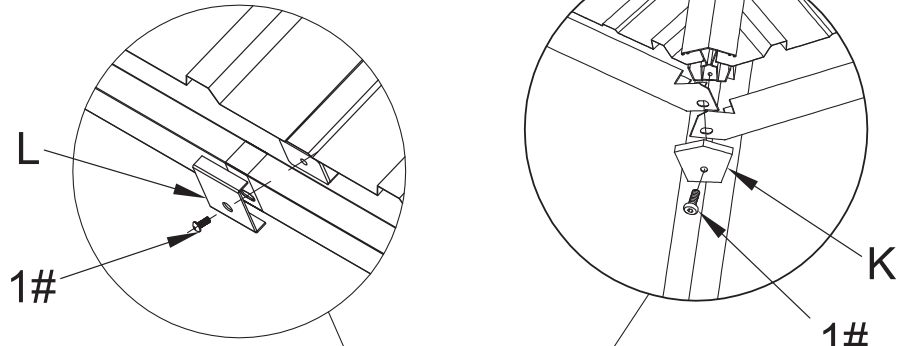


M6*15

1# x 8



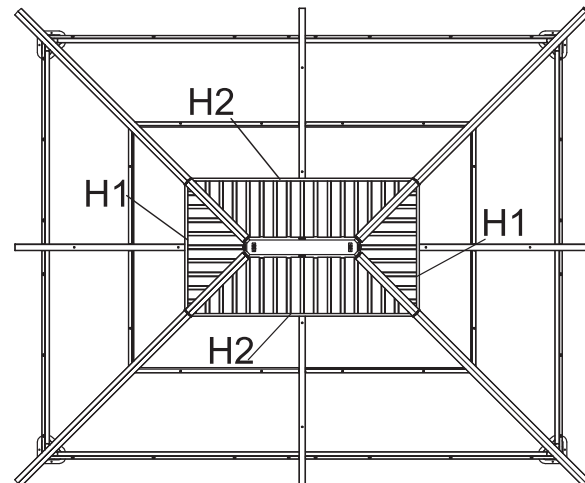
7# x1



Attach finishing bar (Part H1 & H2) with finish end (Part K) using screws (1#) to corner roof bar (Part D) as shown in diagram. you may need to bent the bar ends a little to make it match the joint.

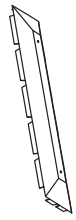


Mind Roof Panel Falling! Do NOT stand under the roof except the installer with a safety hat!

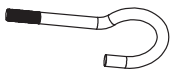


STEP 13

Connect outside roof connector (Part S1) to inside roof (Part S2) using screw 2# and rubber gasket 5# as shown in diagram.



S1 x 1



12# x 2



M6*25

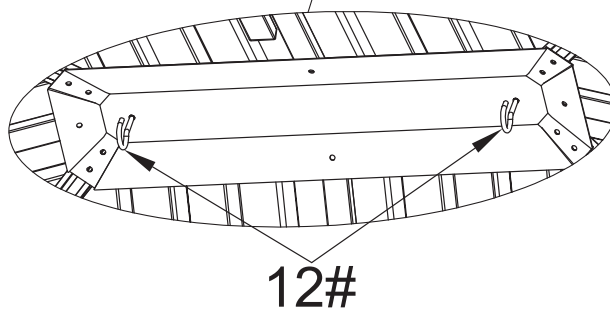
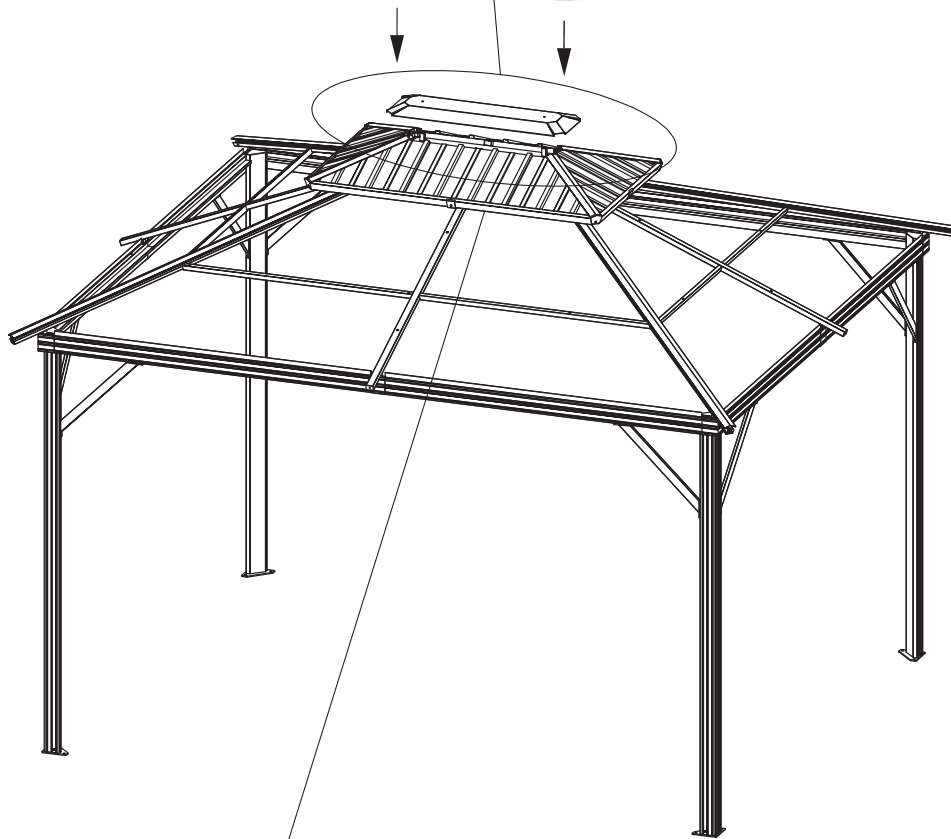
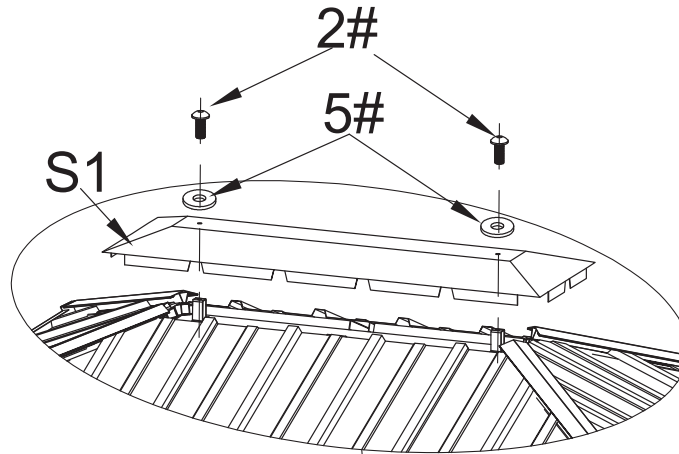
2# x 2



5# x 2



7# x 1



Mind Roof Panel Falling! Do NOT stand under the roof except the installer with a safety hat!

Insert lamp hook (Part 12#) into outside roof connector (Part S1).

STEP 14



X1 x 2



X2 x 2



X3 x 2



X4 x 2



X5 x 2



X6 x 2

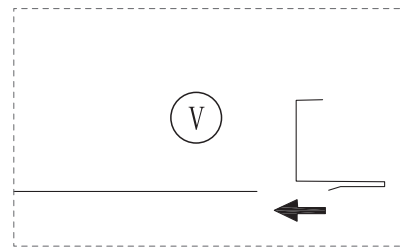
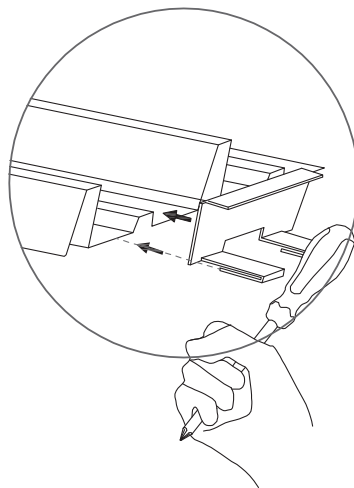
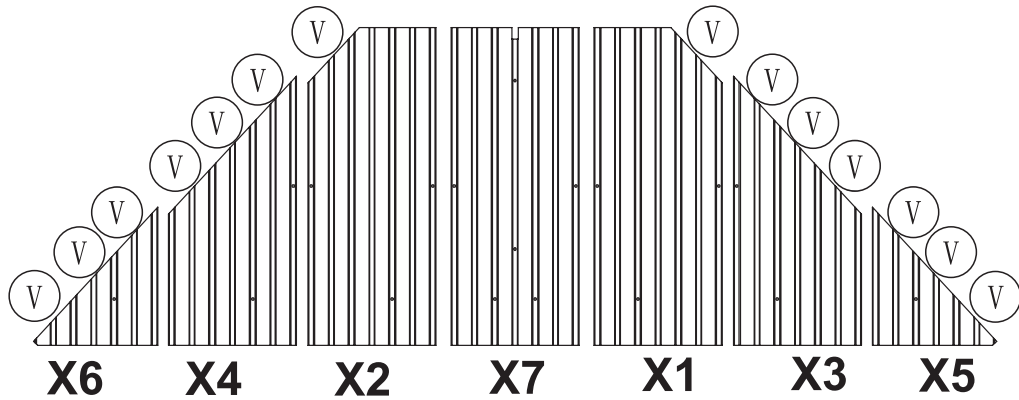
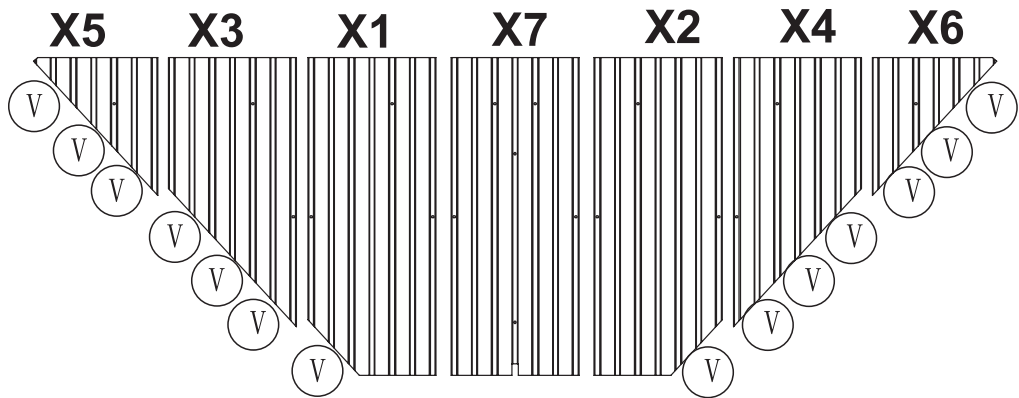


X7 x 2



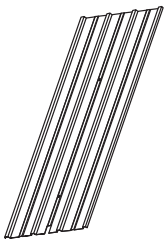
V x 28

Cover metal bracket (Part V) to roof panels as shown in diagram.

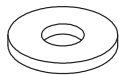


Mind Roof Panel Falling! Do NOT stand under the roof except the installer with a safety hat!

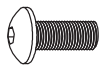
STEP 15



X7 x 2



5# x 4

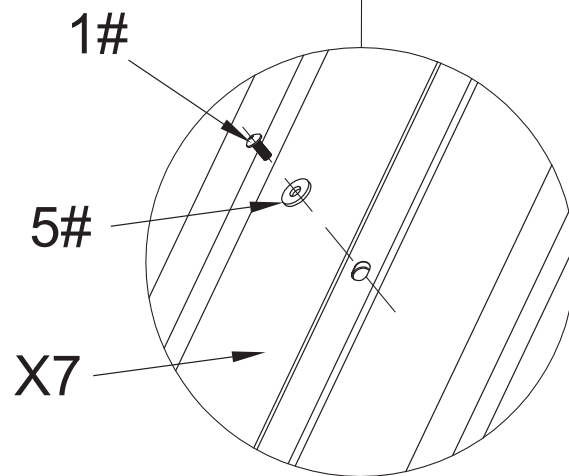


M6*15

1# x 4



7# x 1



Affix roof panels using screw (1#) and rubber gasket (5#) as shown in diagram.

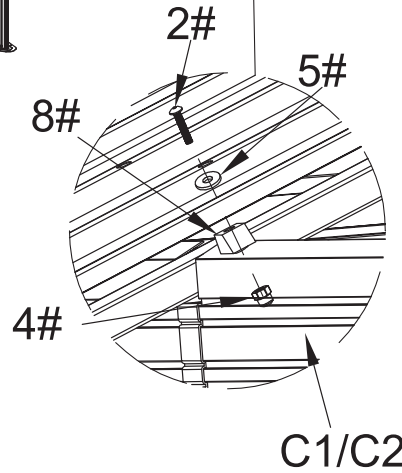
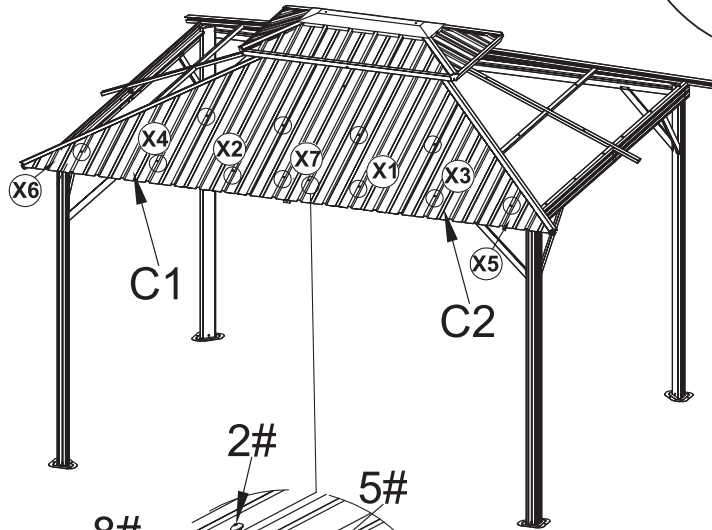
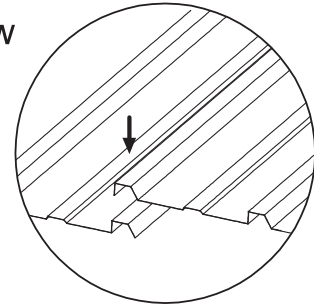


Mind Roof Panel Falling! Do NOT stand under the roof except the installer with a safety hat!

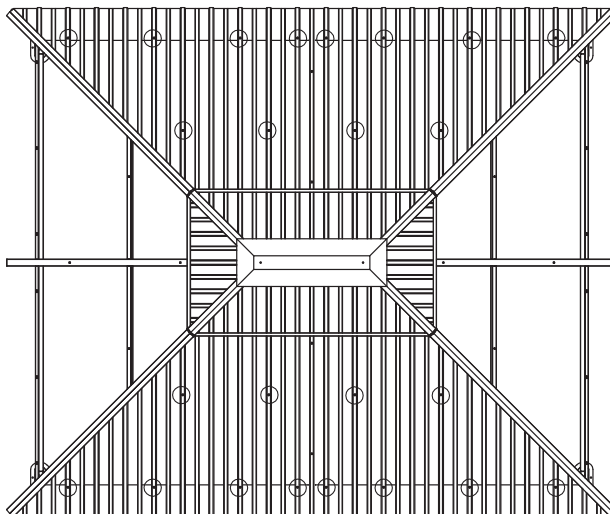
STEP 16

Connect roof as below

Please put the panels on the frame anti-clockwisely



Place rubber gasket 5# at the upper end of the iron piece and spacers 8# at the lower section of the iron piece and pass through both with screws 2#. Finally, tighten screws 4#.



Mind Roof Panel Falling! Do NOT stand under the roof except the installer with a safety hat!



X1 x 2



X2 x 2



X3 x 2



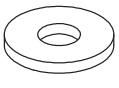
X4 x 2



X5 x 2



X6 x 2

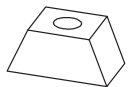


5# x 24



M6*25

2# x 24



8# x 24



4# x 16



7# x 1

STEP 17



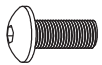
G3 x 2



G4 x 2



L x 2

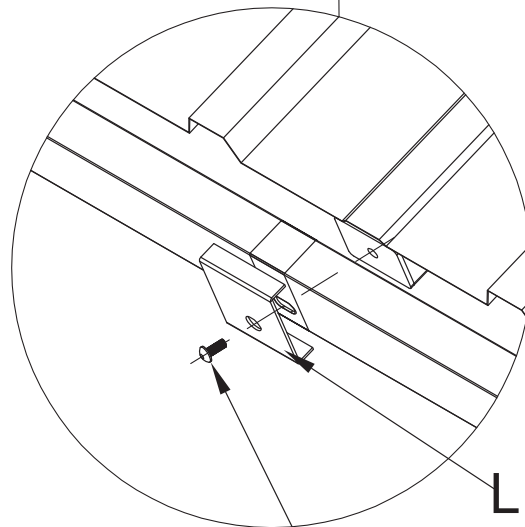
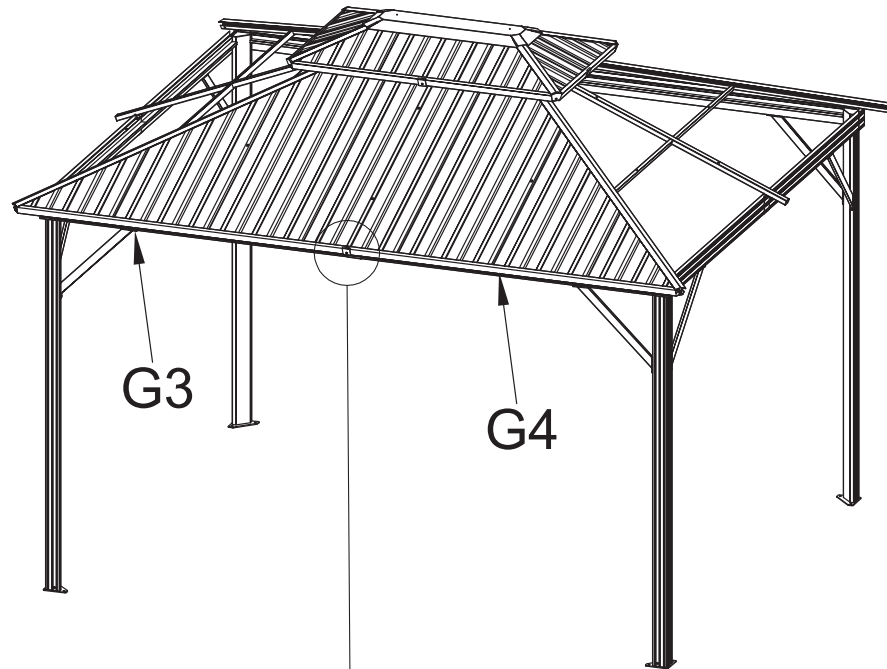


M6*15

1# x 2



7# x 1



Affix middle beams using joint cover (Part L) and screw (1#) as shown in diagram.



Mind Roof Panel Falling! Do NOT stand under the roof except the installer with a safety hat!

STEP 18

Cover metal bracket (Part V&U) to roof panels as shown in diagram.



W1 x 2



W2 x 2



W3 x 2



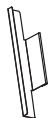
W4 x 2



W5 x 2



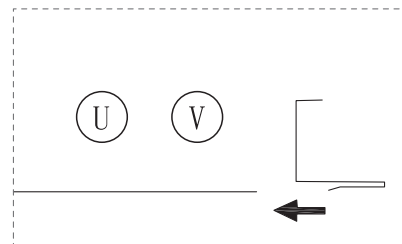
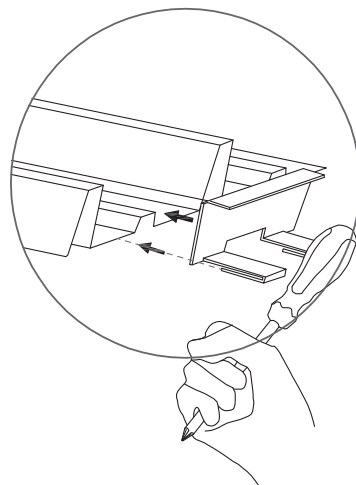
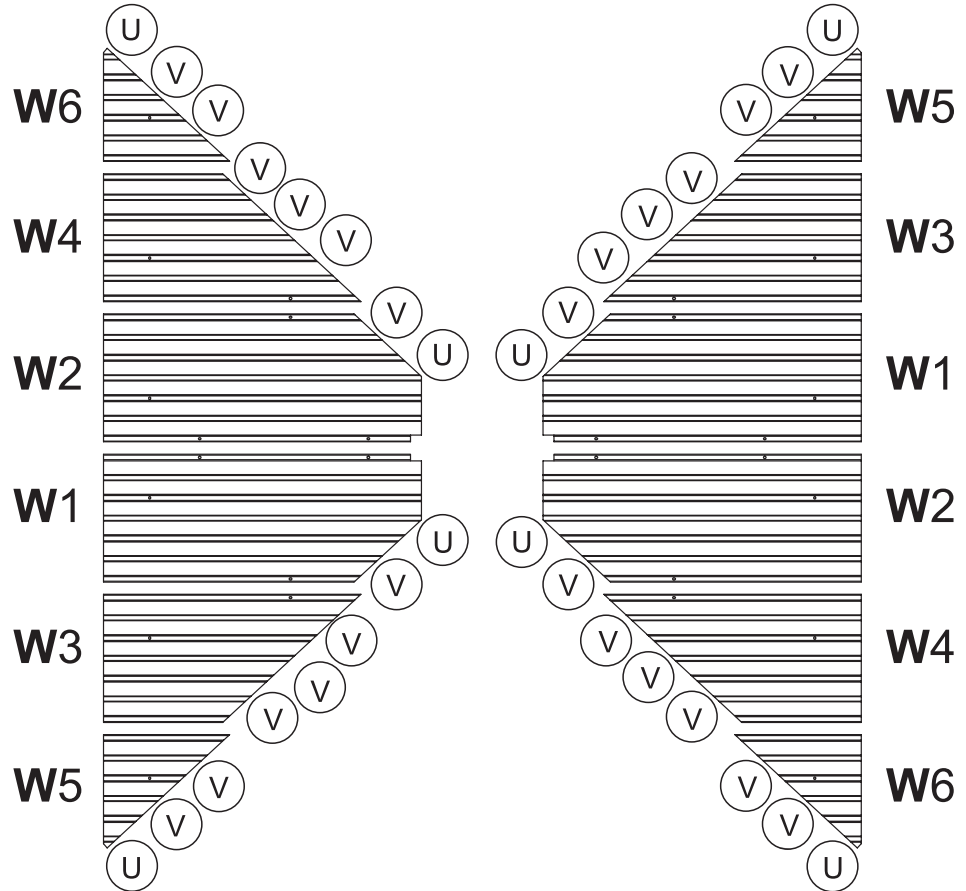
W6 x 2



U x 8



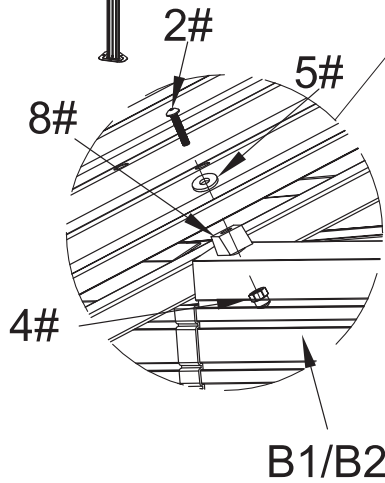
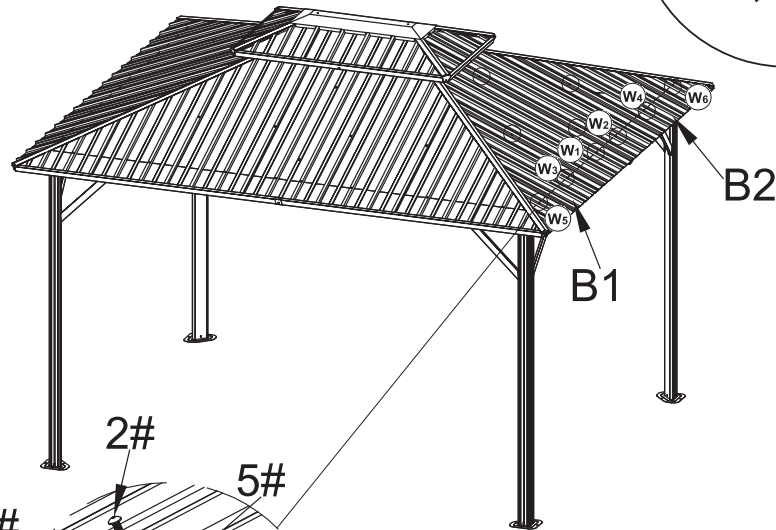
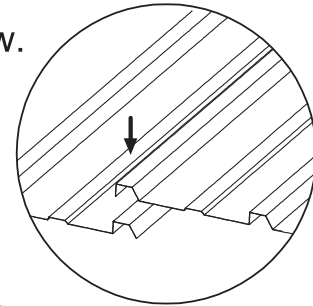
V x 24



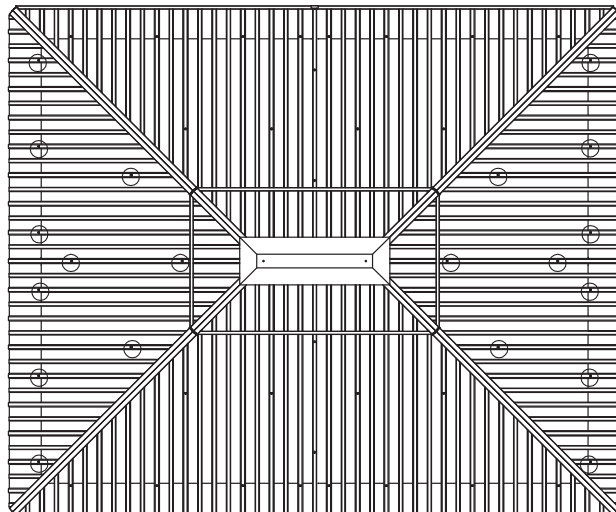
Mind Roof Panel Falling! Do NOT stand under the roof except the installer with a safety hat!

STEP 19

Connect roof as below.



Place rubber gasket 5# at the upper end of the iron piece and spacers 8# at the lower section of the iron piece and pass through both with screws 2#. Finally, tighten screws 4#.



Mind Roof Panel Falling! Do NOT stand under the roof except the installer with a safety hat!



W1 x 2



W2 x 2



W3 x 2



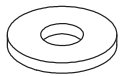
W4 x 2



W5 x 2



W6 x 2

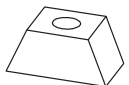


5# x 20

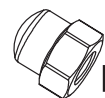


M6*25

2# x 20



8# x 20



M6

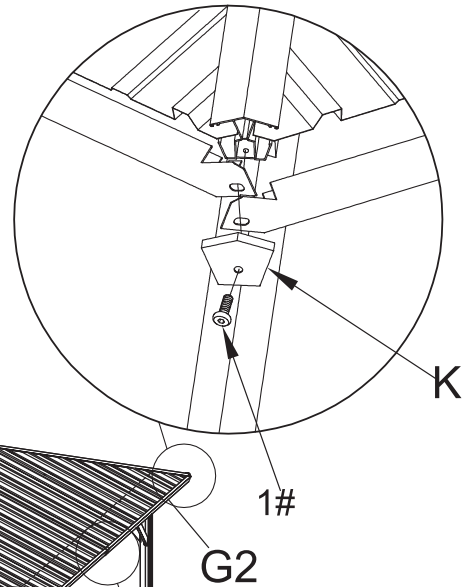
4# x 12



7# x 1

STEP 20

Attach finishing bar (Part G1&G4) with finish end (Part K) using screws 1# to corner roof bar.



G1 x 2

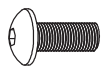
G2x 2



L x 2



K x 4

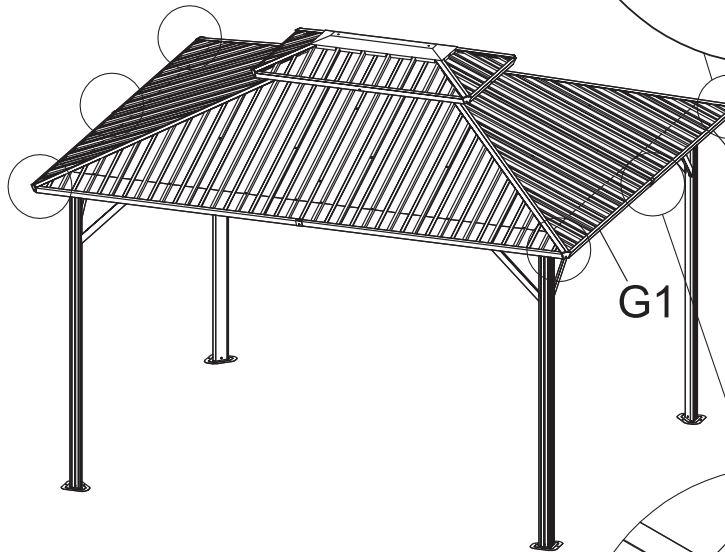


M6*15

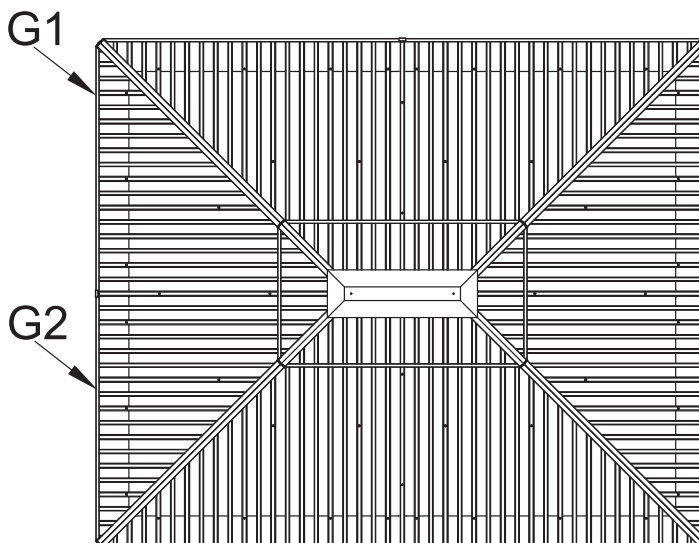
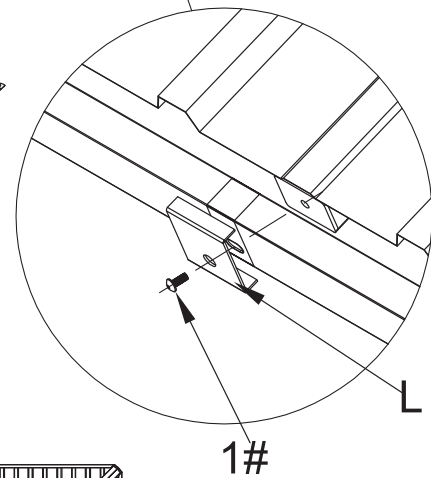
1# x 6



7# x1



Attach finishing bar (Part G1&G2) with finish end (Part L) using screws 1# as shown in diagram.



Mind Roof Panel Falling! Do NOT stand under the roof except the installer with a safety hat!

STEP 21

Attach the middle of net frames (Part I1 & I2) with roof bar (Part E) using screw 1#.



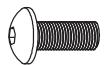
I1 x 2



I2 x 2



K x 4

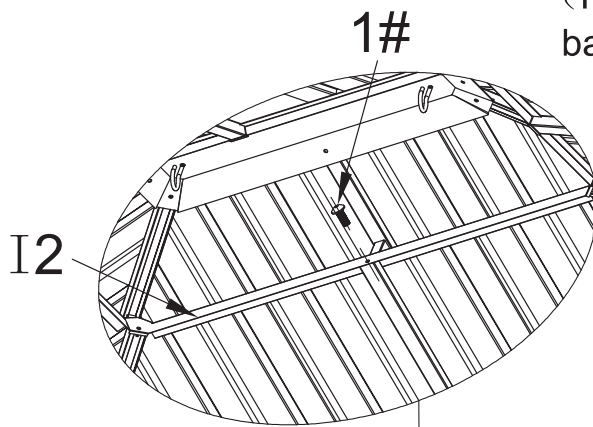


M6*15

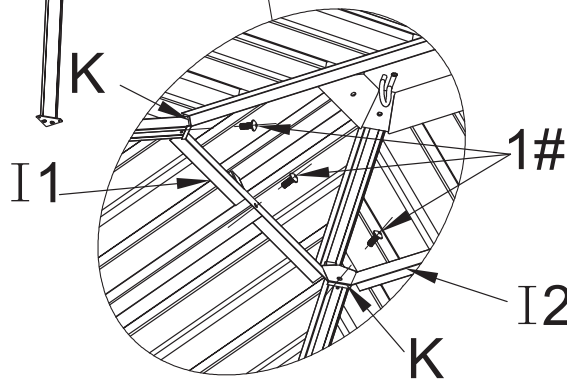
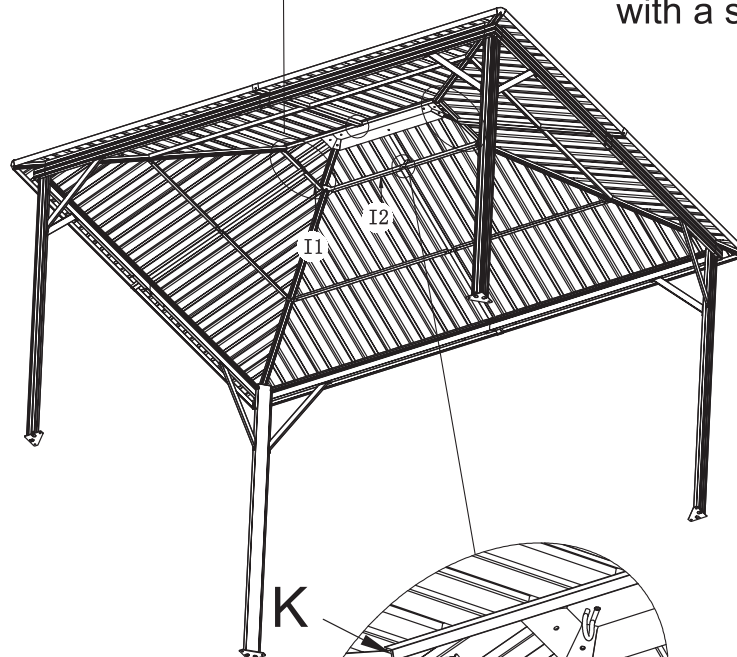
1# x 8



7# x 1



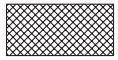
Mind Roof Panel Falling! Do NOT stand under the roof except the installer with a safety hat!



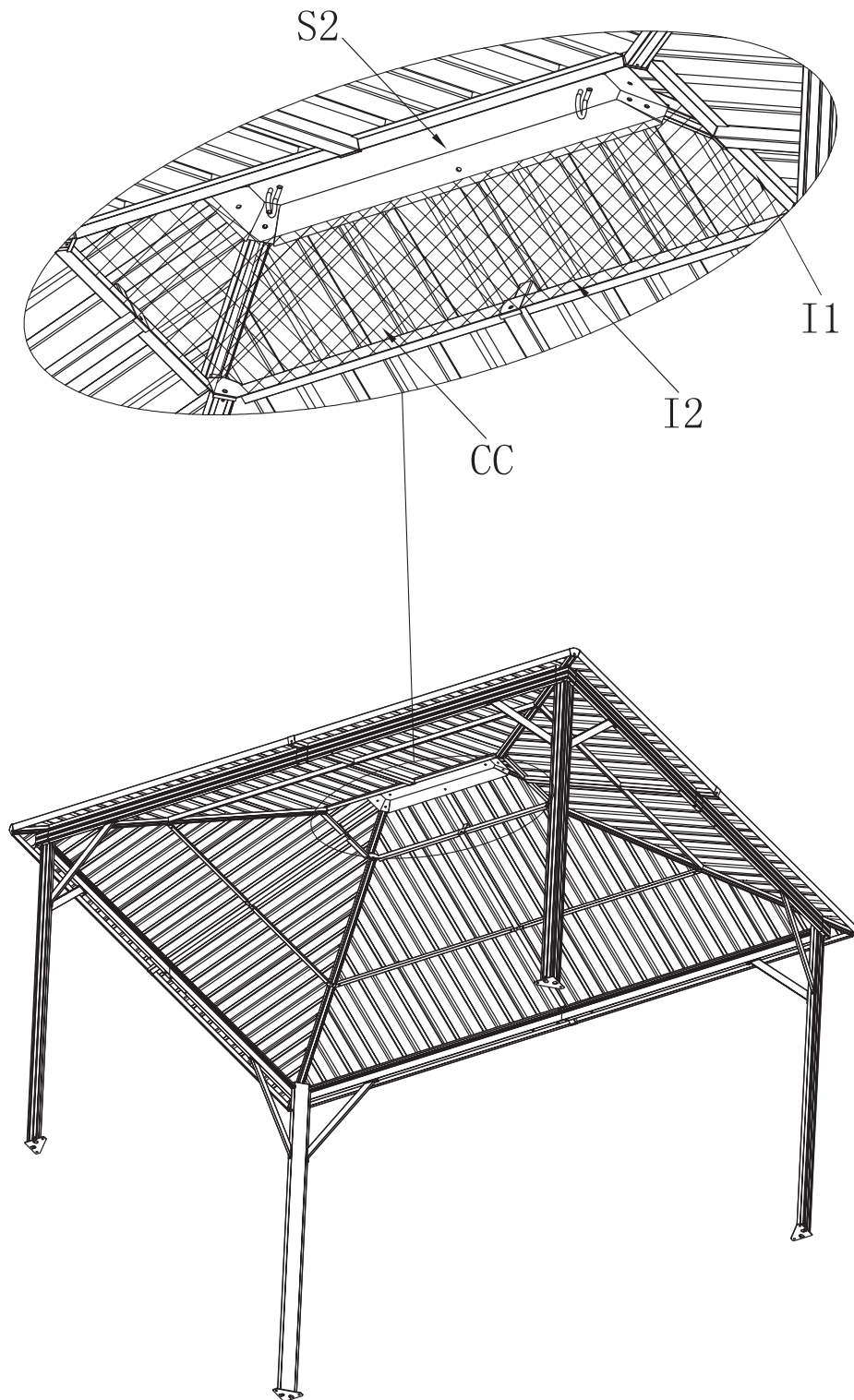
Attach net frames (Part I1 & I2) with finishing end (Part K) using screw 1#, you may need to bent the frame ends a little to make it match the joint.

Please note: This figure needs to be looked up from the inside to understand the enlarged schematic diagram of the structure.

STEP 22



CC x 1



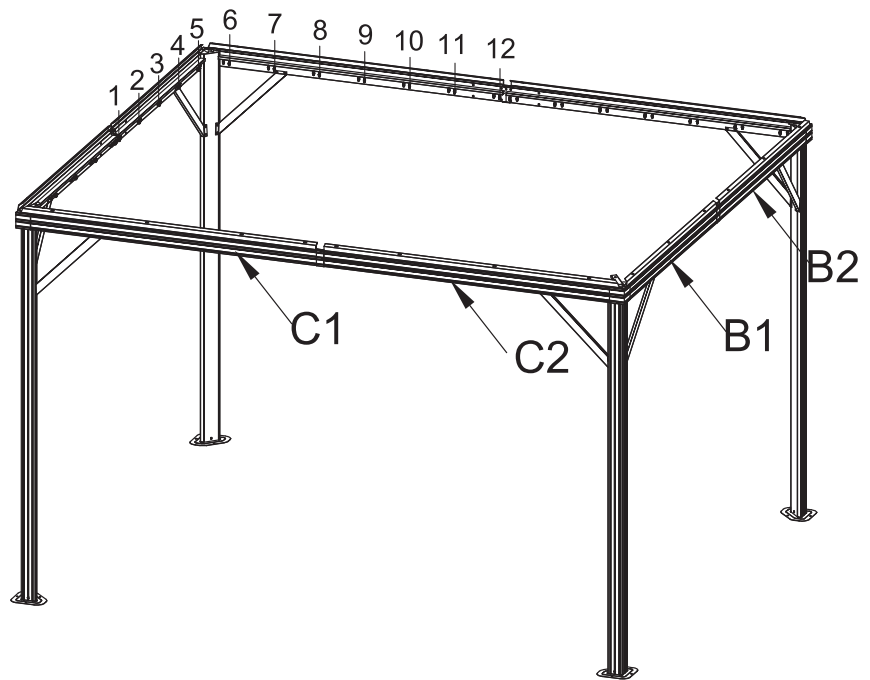
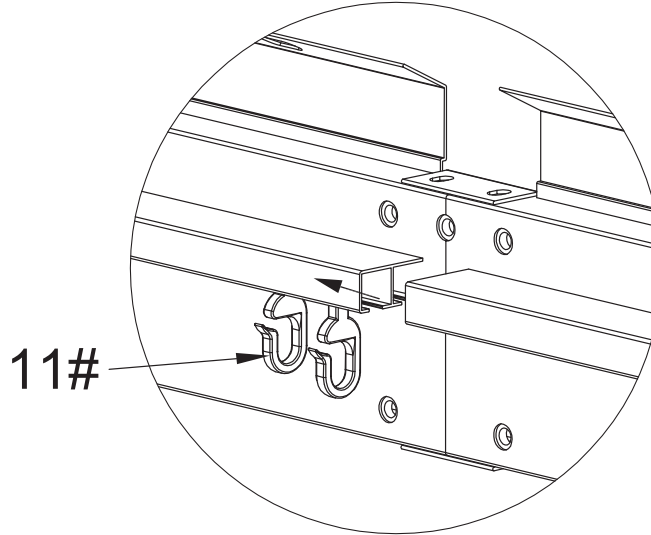
Please note: This figure needs to be looked up from the inside to understand the enlarged schematic diagram of the structure.

STEP 23



11# x 96

Put 5 hooks (Part 11#) to each slot of joint bar (Part B1 & B2)
Put 7 hooks (Part 11#) to each slot of joint bar (Part C1 & C2).

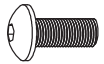


STEP 24

After finishing hooks into tracks, then put (Part T) to lock them with screws 1#.



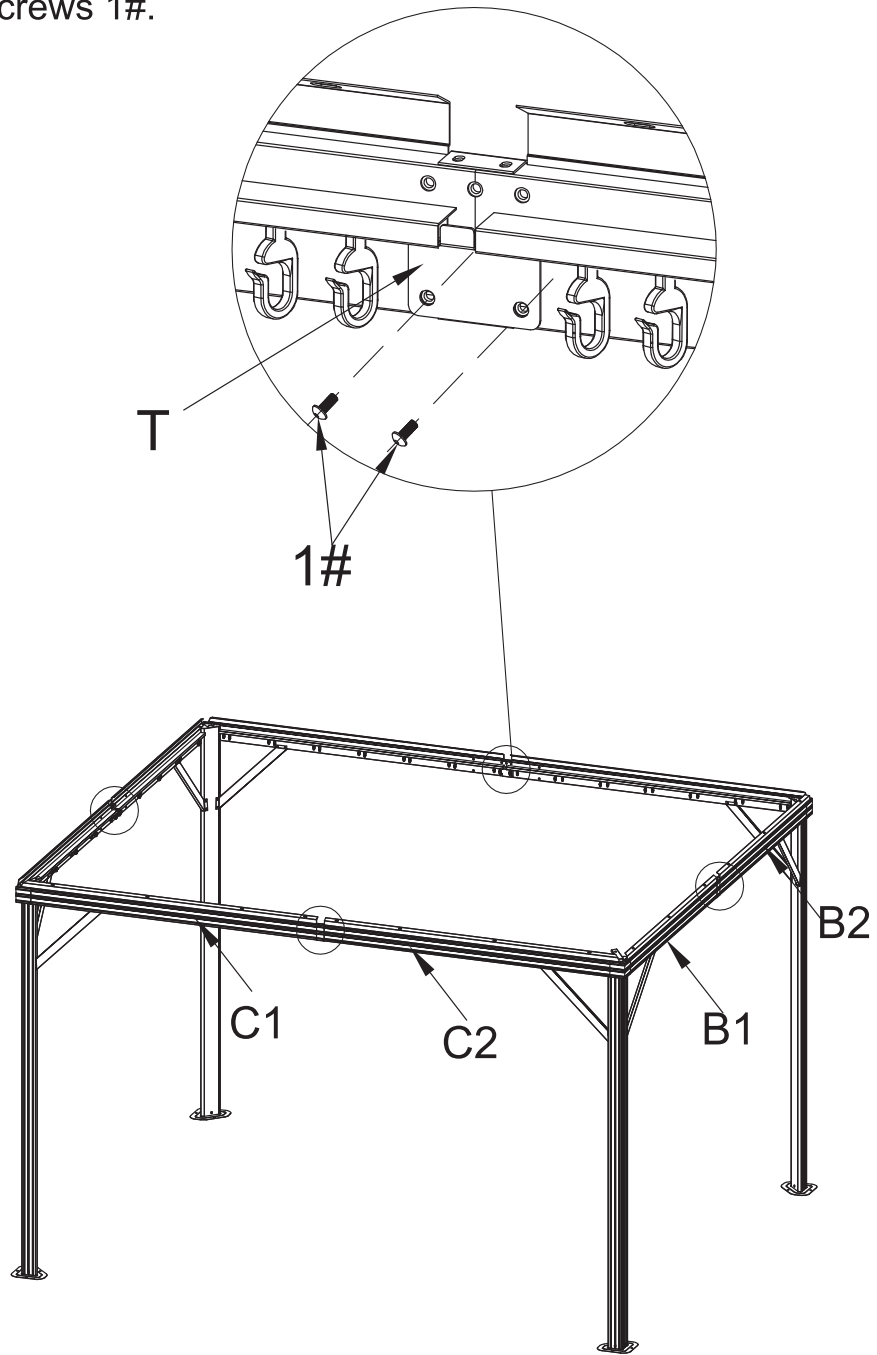
T x 4



1# x 8



7# x 1



STEP 25

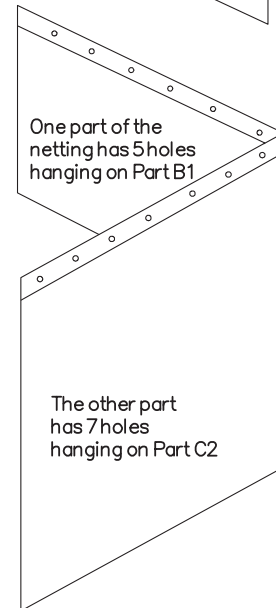
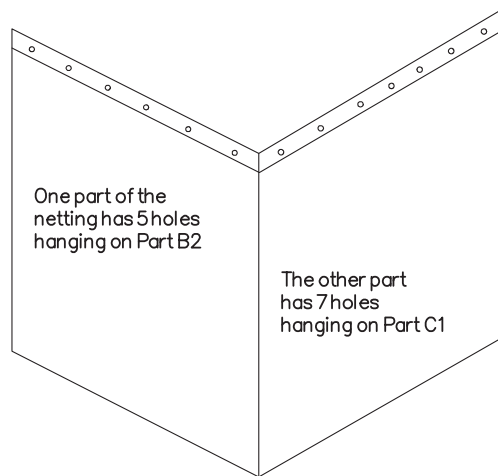
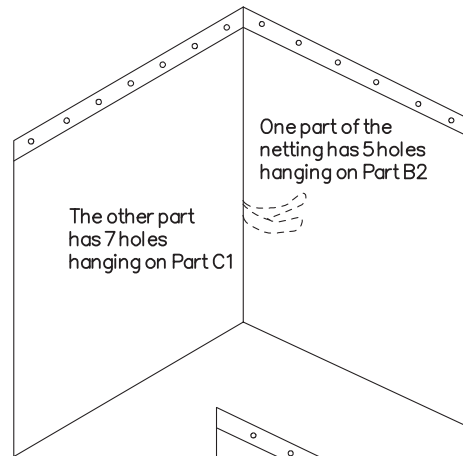
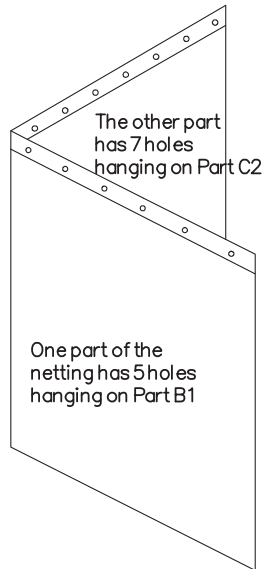
Untie and unzip the side curtain, then divide it into 4 parts.



BB1 x 2



BB2 x 2



STEP 26

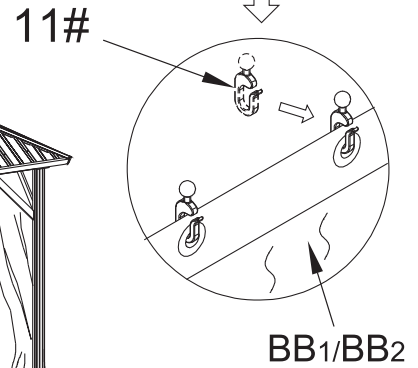
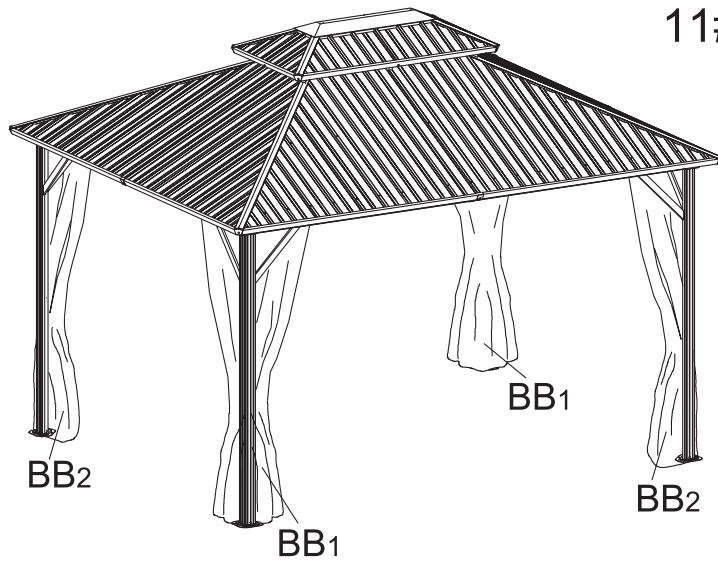
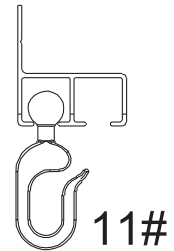
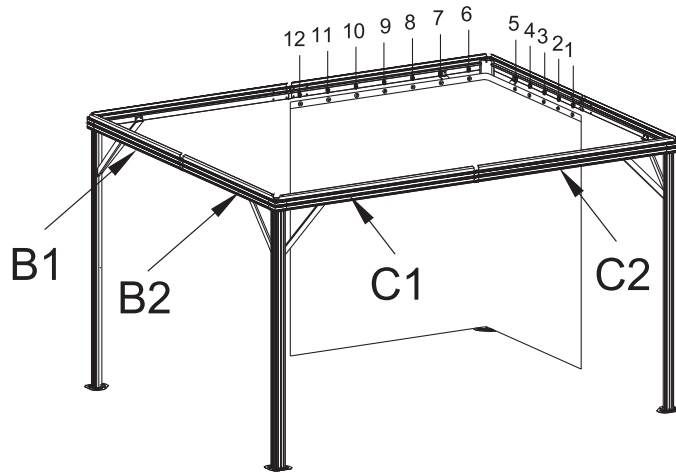
Hang up side curtain and solid sidewalls as shown in diagram.



BB1 x 2

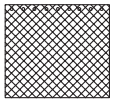


BB2 x 2

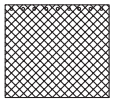


STEP 27

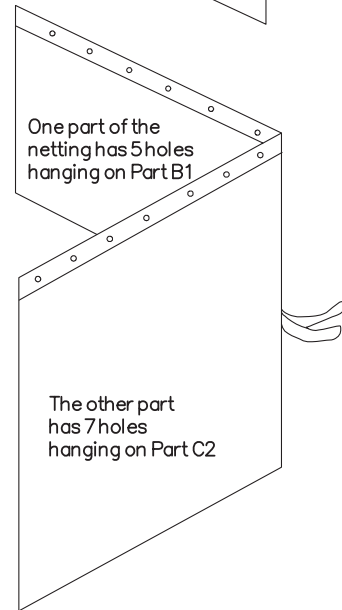
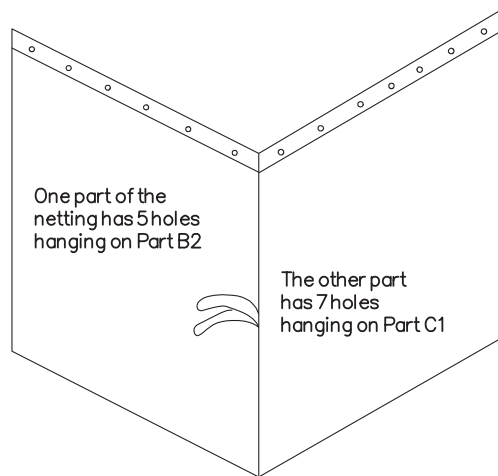
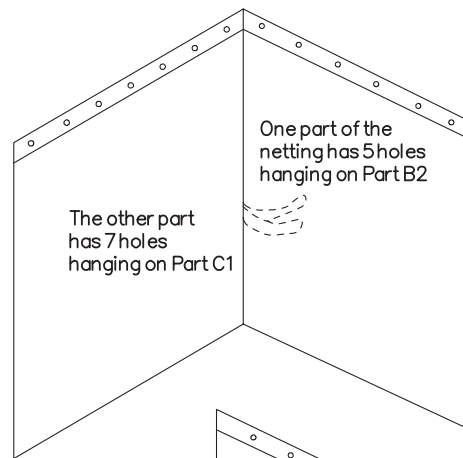
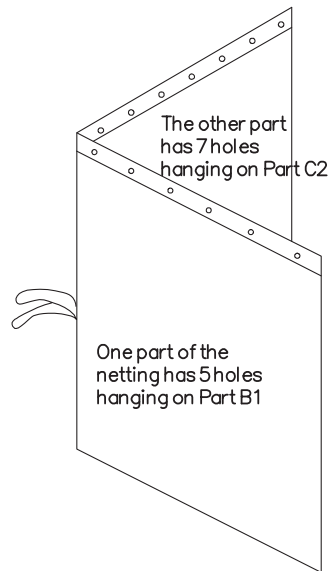
Untie and unzip the netting, then divide it into 4 parts.



AA1 x 2

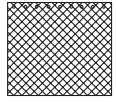


AA2 x 2

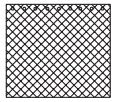


STEP 28

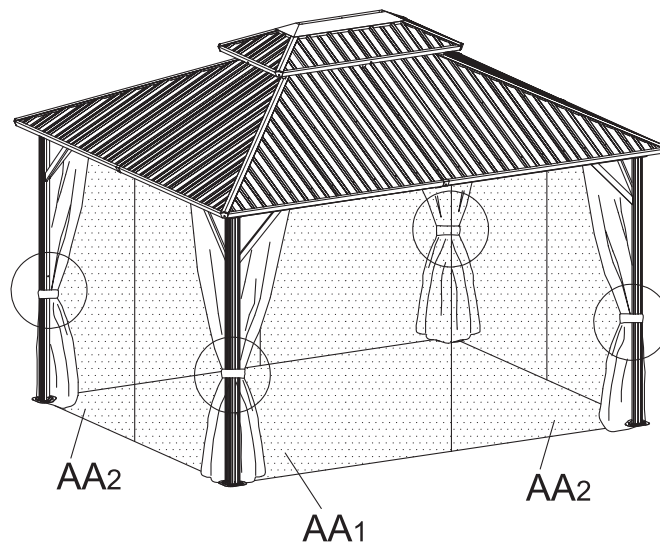
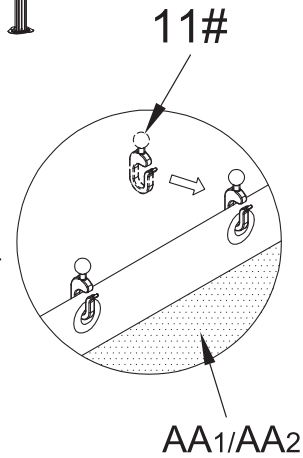
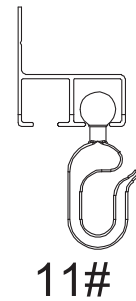
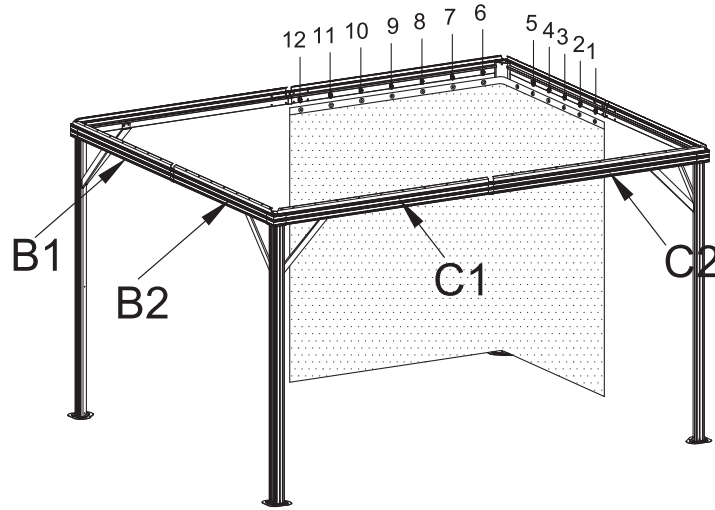
Hang up mosquito sidewalls and solid sidewalls as shown in diagram.



AA1 x 2



AA2 x 2



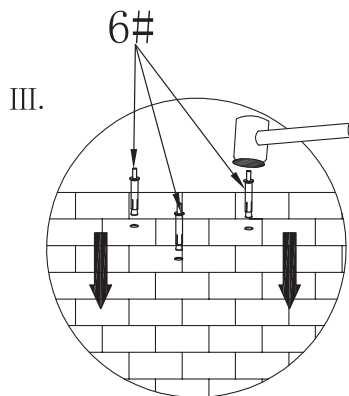
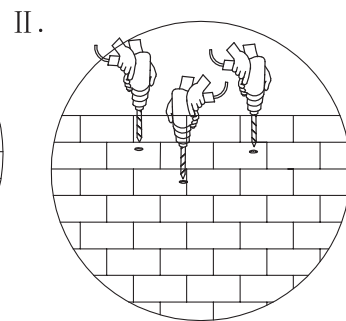
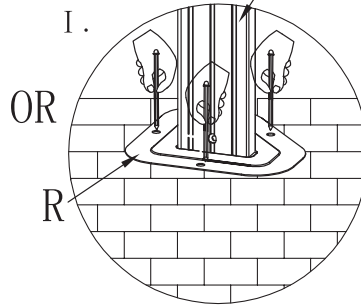
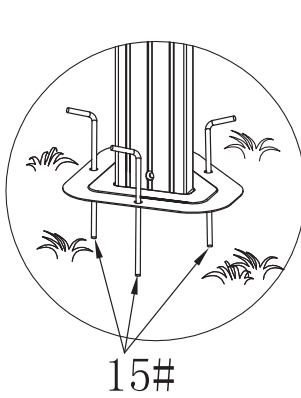
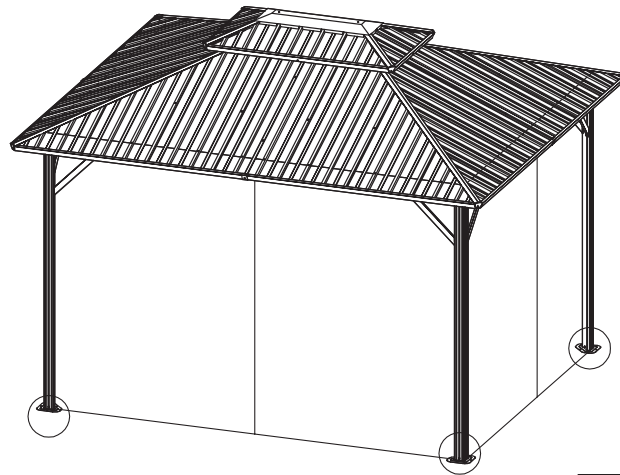
STEP 29



6# x 12



15# x 12



Complete Installation

To improve wind resistance, be sure to complete this installation step. If expansion screws or ground nails are not installed, strong winds may topple the gazebo.

Expansion screws are essential for stability on cement surfaces, and ground nails are for grassy surfaces.

In the end, check all screws are fixed tightly before using.