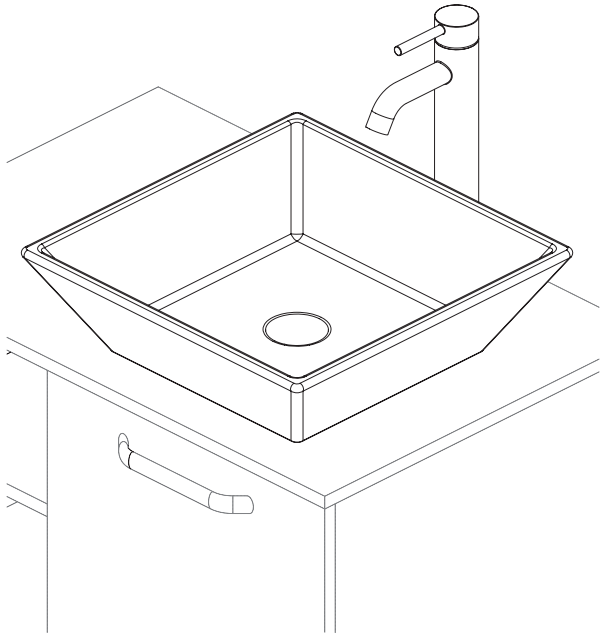


## STEP 6

Check the position and stability of the vessel and faucet. Open the faucet valves, and check for leakage.



## CARE AND CLEANING

To keep your ceramic vessel looking new, make sure you rinse it out thoroughly after each use. **DO NOT USE ABRASIVES** on this product, as they will scratch and ruin the surface. Stubborn stains, paint, or tar can be removed with turpentine or paint thinner.



The eclife logo features a stylized house icon to the left of the brand name 'eclife' in a lowercase, sans-serif font. The background of the logo area is a light gray world map.

FEEDBACK ★★★★★

Thank you very much for purchasing from us.

We have always been trying to provide the best service and reliable products for every customer.

We sincerely hope you will be satisfied with our products and leave us **FIVE STARS** and **POSITIVE** feedback/review in our page.

However, accident may happen sometimes, please contact us to resolve any issue before leaving a negative feedback.

Many thanks and welcome to our shop again!

**Contact number:** 646-2230128  
**E-mail:** support@ec-export.com  
**www.ec-export.com**



NO.19030



The eclife logo is oriented vertically on the right side of the page, matching the brand's identity.



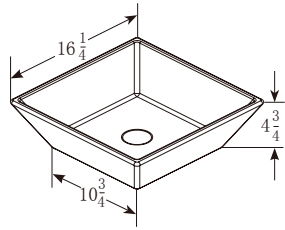
BT-A07 / T03

**INSTALLATION INSTRUCTIONS**

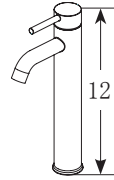
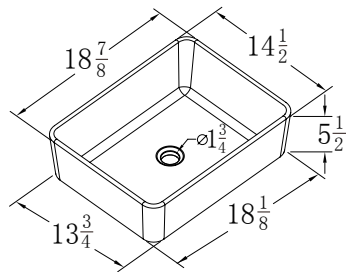
## DIMENSION

A07

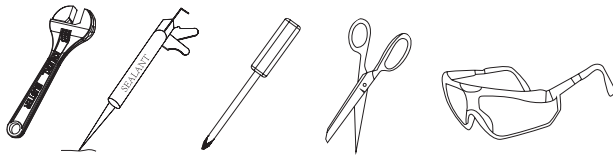
Unit:inch



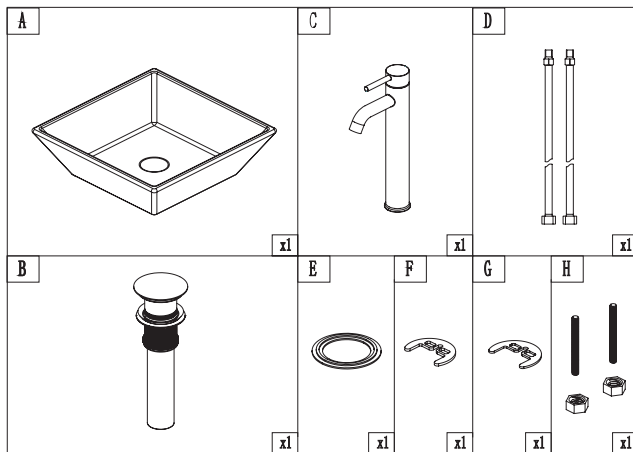
T03



## YOU MAY NEED (NOT SUPPLIED)



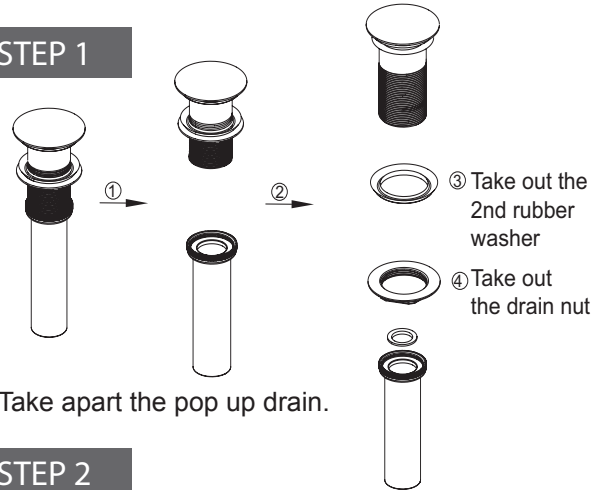
## PARTS LIST



**CAUTION:** Please confirm the parts list before installtion

## INSTALLATION

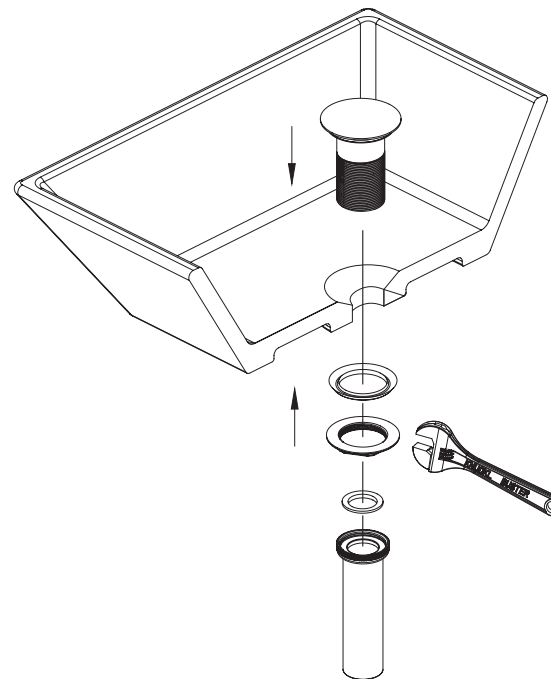
### STEP 1



Take apart the pop up drain.

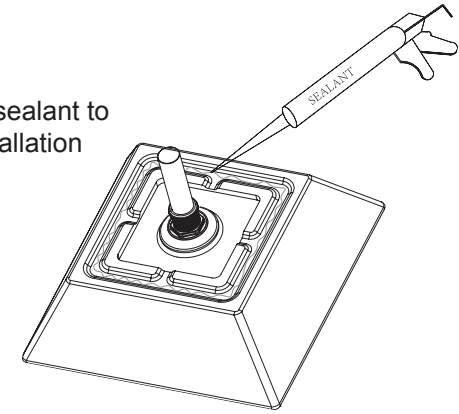
### STEP 2

Insert the drain top into the vessel. Install the thick rubber washer and then the drain nut. Tighten the drain nut and then the tall piece.



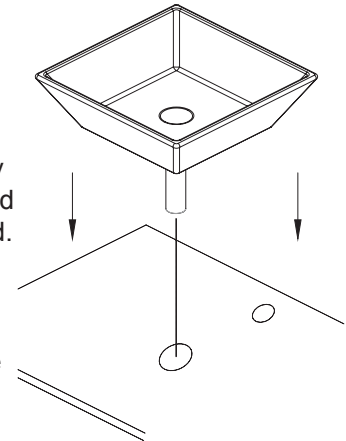
### STEP 3

Loosely apply sealant to the bottom installation area.



### STEP 4

Carefully position the vessel on the tabletop and press down firmly. Immediately wipe away any excess sealant, and fill any voids as needed.



**CAUTION:** please do not remove the vessel before drying and reserve a installation space for the faucet.

### STEP 5

Position the gasket under the faucet. Connect the hot and cold water pipes to the faucet. Insert the faucet into the hole. Install the rubber gasket, then the metal gasket, then the fixing bolts. Tighten the fixing bolts.

