

10 : 00

estimated
installation time



1 or more

people required

Ok, let's
get started!



- Put on mood music!
- To prevent damage to product, use the clean side of package carton or rug as working surface.
- In the event of missing or damaged parts, delivery problems etc., please reach out to our team.
We will be happy to fix the problem!

care guide

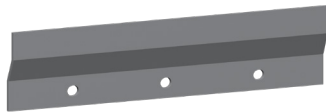
- Clean regularly with a soft and dry cloth.
- To protect finish, avoid use of abrasive cleaners.
- Wipe up spills immediately. Please!



product
parts

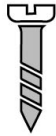


A
Mirror
x1



B
French Cleat
x1

what's included



(C) - Screw
x3



(D) - Wall Plug
x3

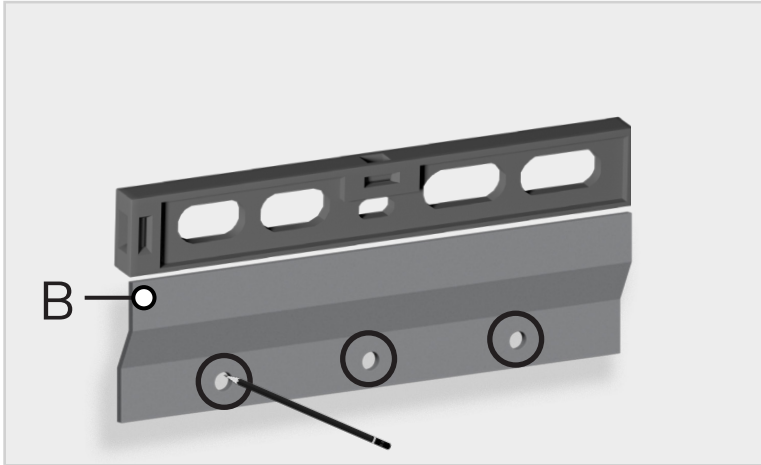
installation instructions

Take a deep breath going in.
This is easy even if you are not
used to tools. Just follow these
steps to the T, and the
outcome will be
worth it!



step 1:

Start by placing French cleat (B) on the wall you want to hang the mirror on and put a spirit level on it to check alignment. Adjust if needed. Once it is in a straight alignment, mark the wall through the pre-drilled holes on (B). Take this image as a reference.



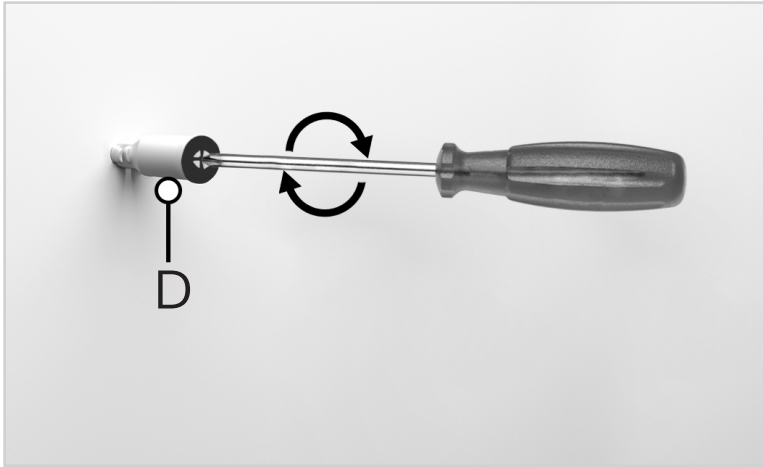
step 2:

Drill holes approx. 10 mm at the points you just marked



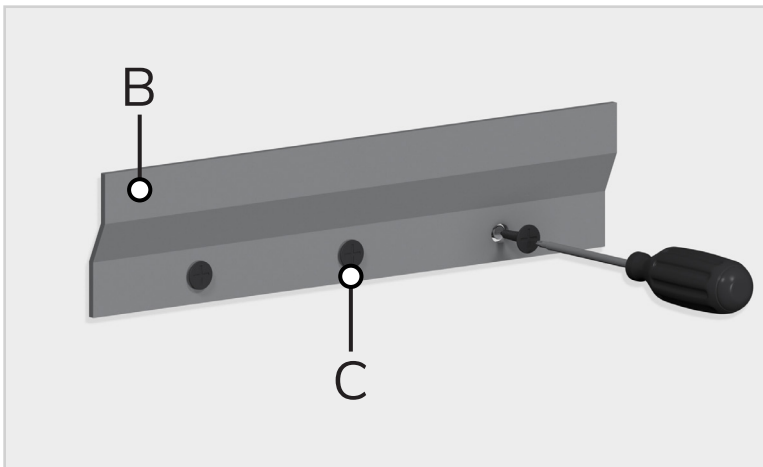
step 3:

Insert the wall plug (D) and tighten with the help of a screwdriver.



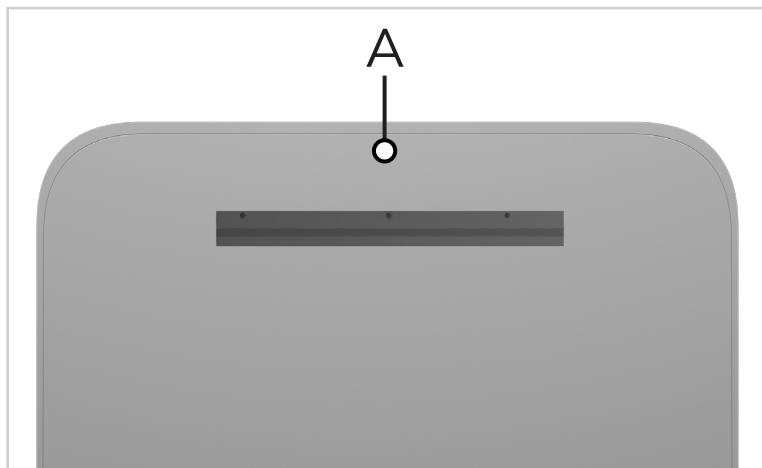
step 4:

Fix screws (C) into the wall plugs (D). Use a screwdriver to make sure they are secure.



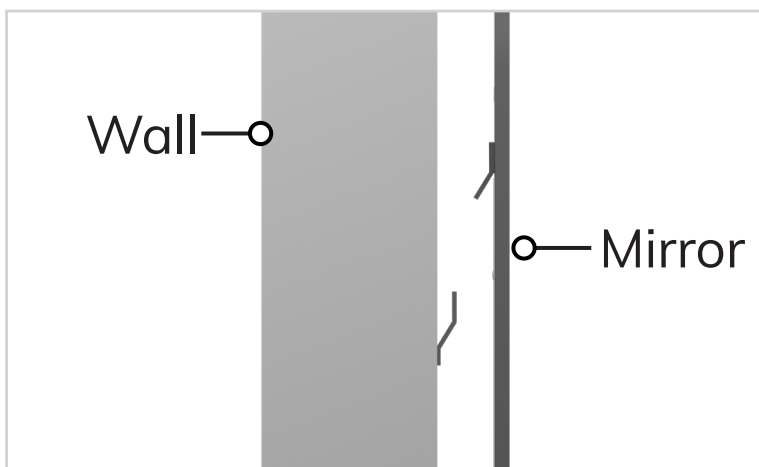
step 5:

Note the French cleat bracket prefixed on the mirror (A).



step 6:

Place the mirror's bracket into the French Cleat (B) on the wall.



Voila! Your mirror is now installed and secure!