

ASSEMBLY INSTRUCTION



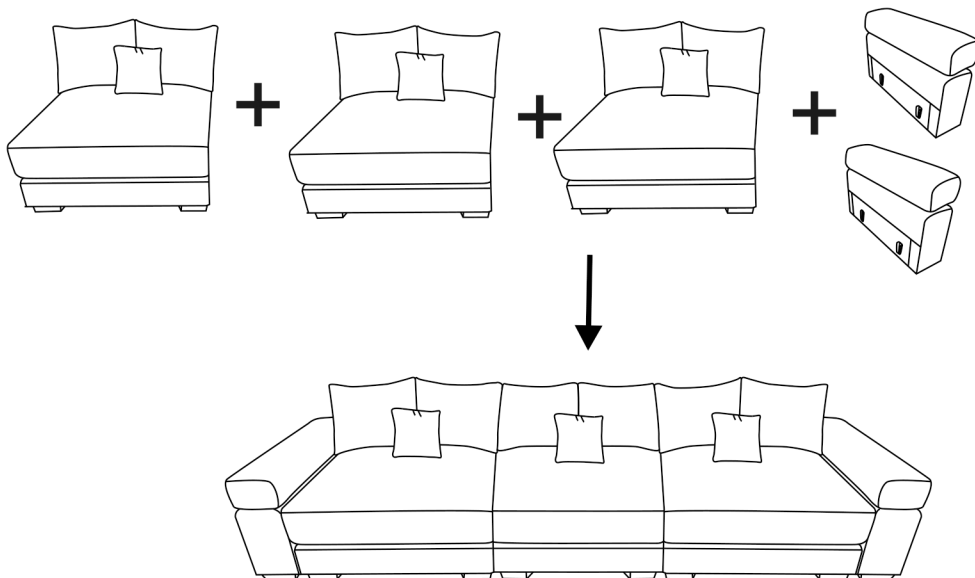
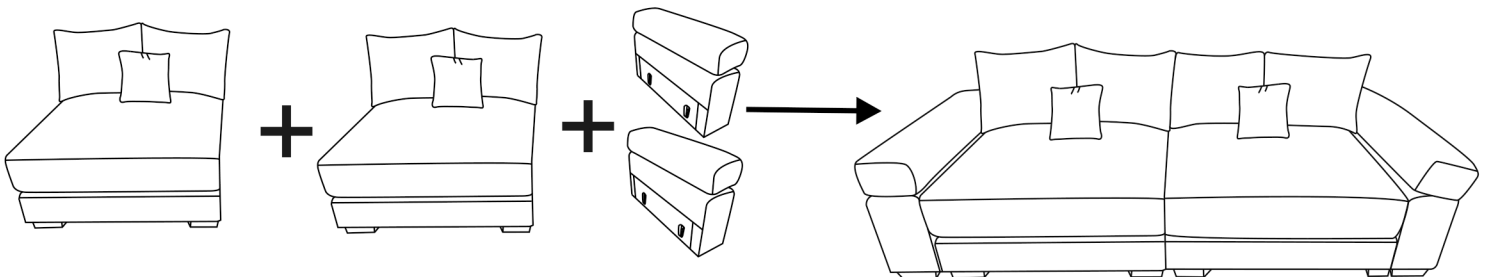
This instruction booklet contains important safety information. please read and keep for future reference.

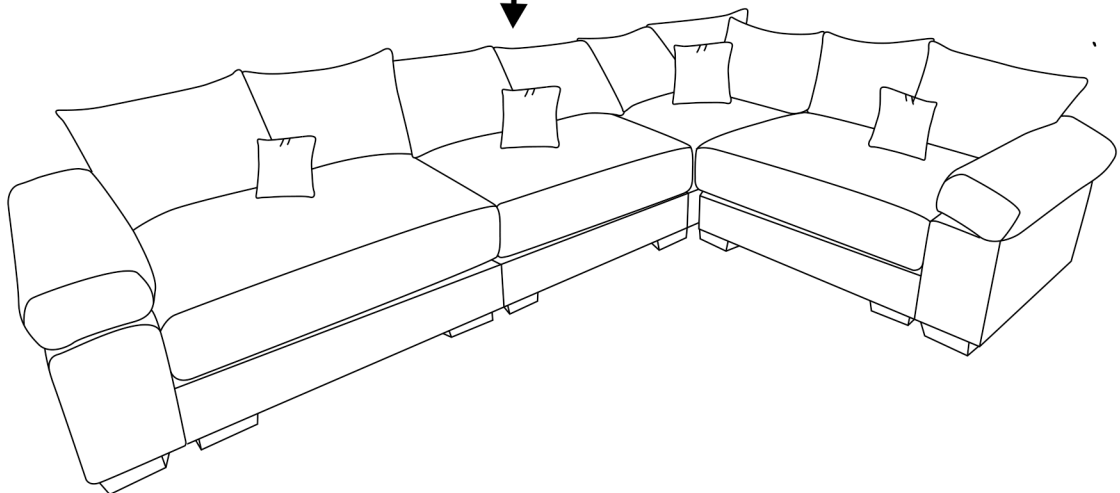
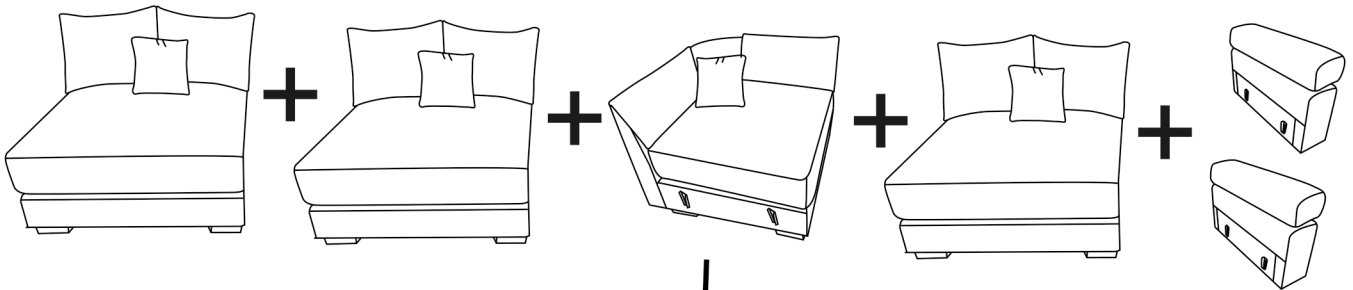
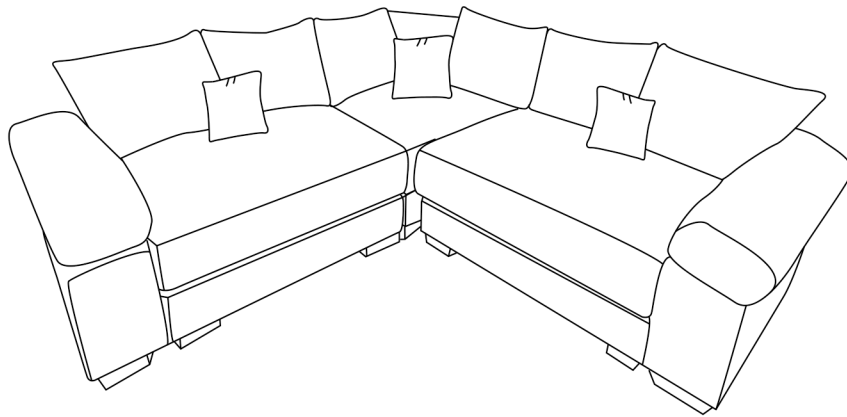
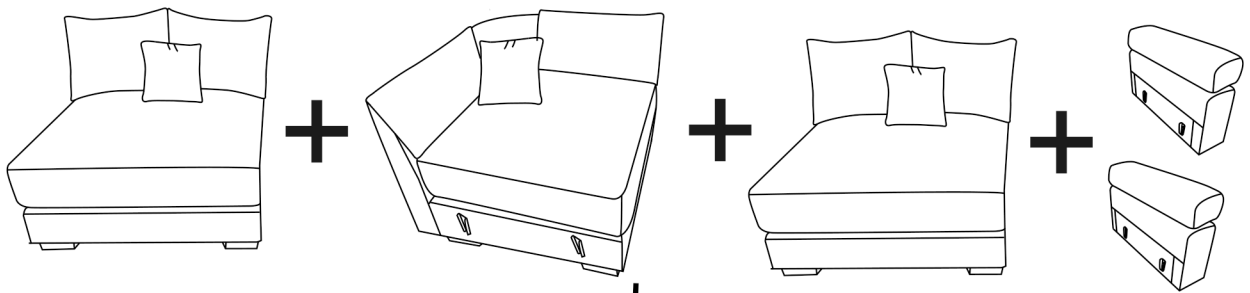
This sofa collection works as modular sofa function, started as 2- seater sofa with left and right section, you can buy more components such as armless middle seat and ottoman to make it as 3 -seater sofa, 4 -seater sofa, L shape sectional, U shape sectional components to ensure all sofa section are well fit your living room area.

To ensure safe and satisfactory use of this product, please carefully read the below instructions before hand.

- 1.This sofa ships in several boxes,we recommend unpacking and starting assembly when several boxes are received.
- 2.Our cushions are vacuum packed for convenient shipping. Please allow 2-3 days for them to fully expand to their original shape and for any wrinkles to disappear.
- 3.In the event that a part is damaged or missing, no need to return the product, we will gladly help and ship your replacement parts free of charge.

Below are some guidelines for you how you can do mix and match.

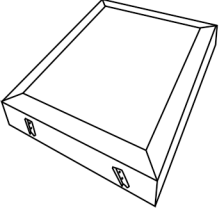
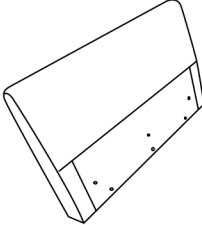
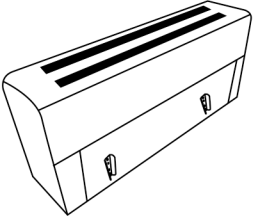
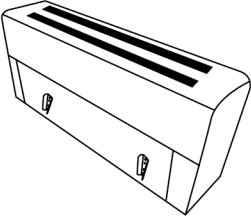
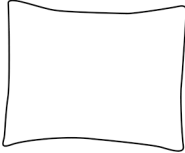

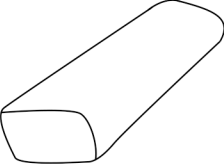
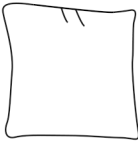
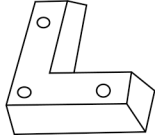
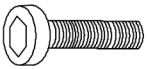






Assembly Instructions

IF YOU BUY 2 SEATER SOFA
please follow below assembly instruction

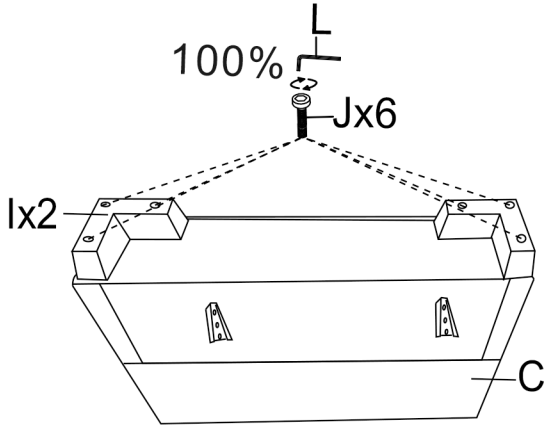
Parts List

<p>A</p>  <p>Seat frame*2</p>	<p>B</p>  <p>Backrest*2</p>	<p>C</p>  <p>Left arm*1</p>
<p>D</p>  <p>Right arm*1</p>	<p>E</p>  <p>Back cushion*4</p>	<p>F</p>  <p>Seat cushion*2</p>
<p>G</p>  <p>Armrest pillow*2</p>	<p>H</p>  <p>Pillow*2</p>	<p>I</p>  <p>Leg*12</p>
<p>J</p>  <p>Bolt*36 M6*40mm</p>	<p>K</p>  <p>Bolt*12 M8*55mm</p>	<p>L</p>  <p>Allen key*2</p>

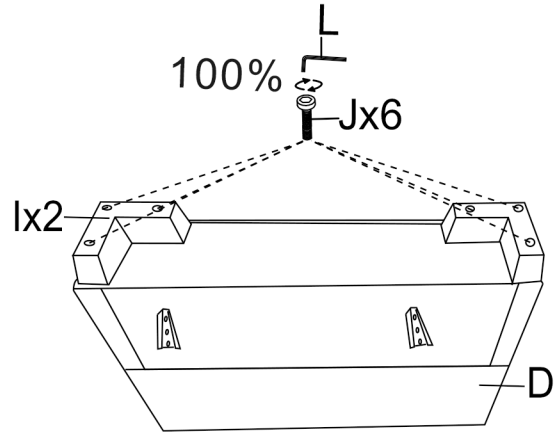
Note: Please retain all boxes until you are certain that your product isn't damaged and that you do not wish to return it. Disposal of boxes may prevent our ability to resolve your request.

STEP 1

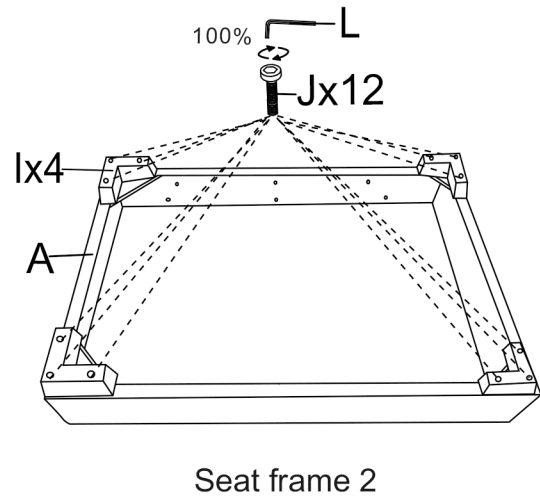
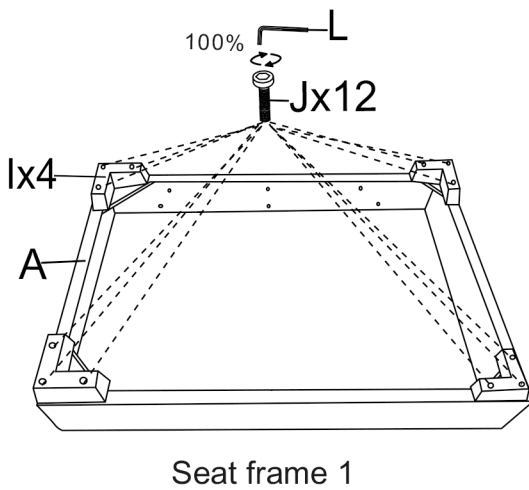
- ① Assemble the Leg (I) to the Left arm (C) with Bolts (J).



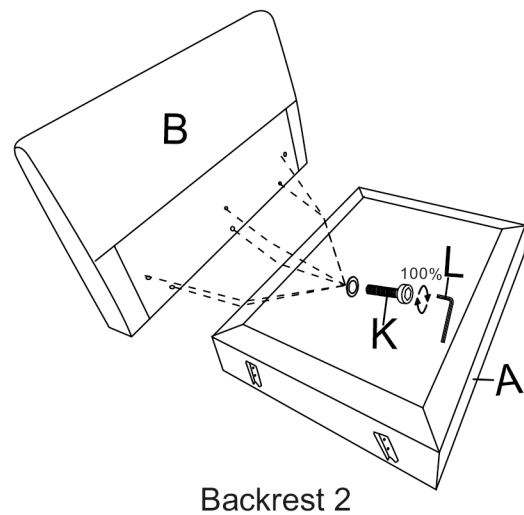
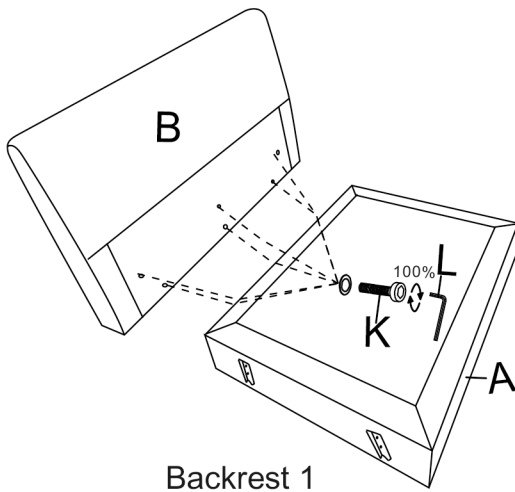
- ② Assemble the Leg (I) to the Right arm (D) with Bolts (J).



- ③ Assemble the Leg (I) to the Seat frame (A) with Bolts (J).

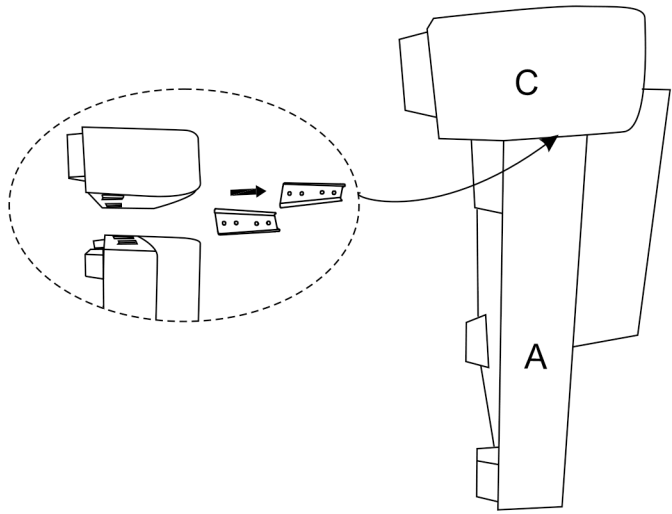


- ④ Assemble the Backrest (B) to the Seat frame (A) with Washer (K).

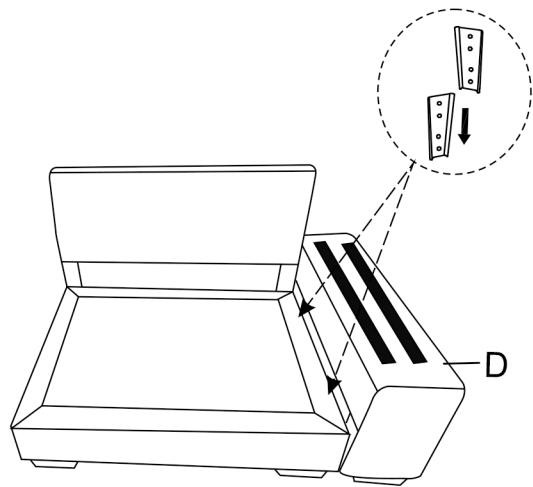


STEP 2

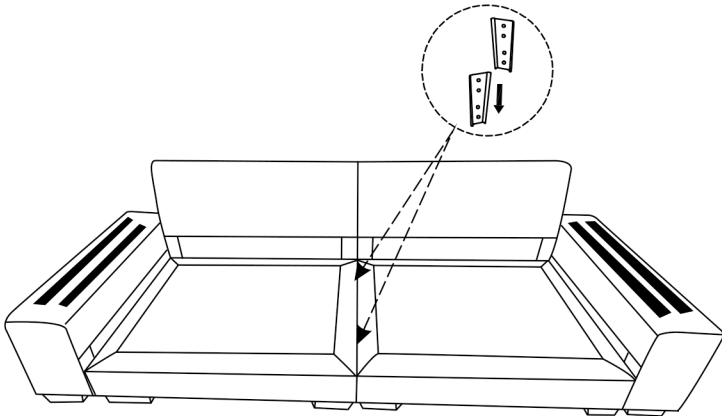
- ⑤ Assemble the Seat frame(A) to the Left arm (C).



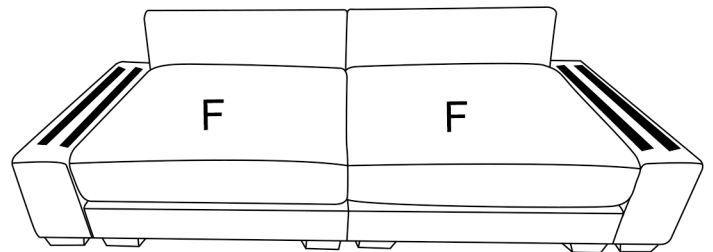
- ⑥ Assemble the Right arm (D) to the Seat frame(A) .



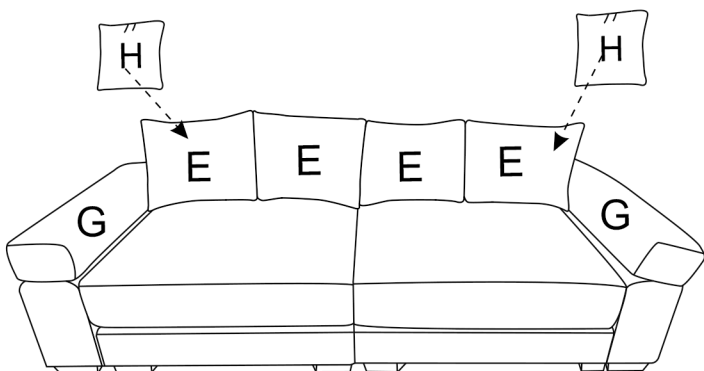
- ⑦ Connect the two Seat frames(A) together



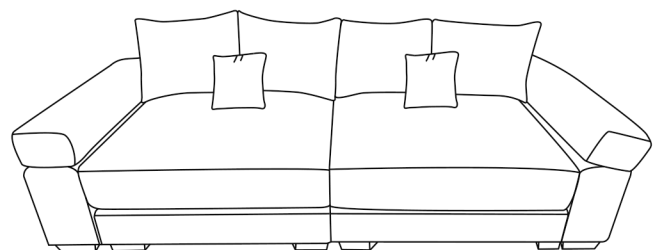
- ⑧ Put Seat cushion(F)to the sofa.



- ⑨ Put Armrest pillow(G) and Back cushion(E) and Pillow (H)to the sofa.



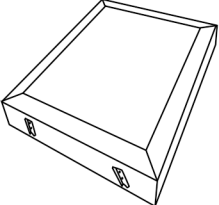
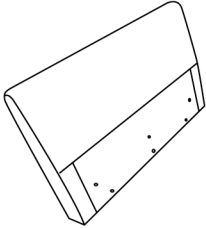
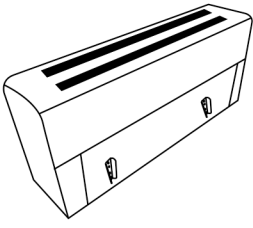
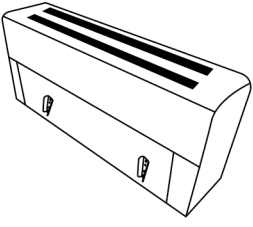
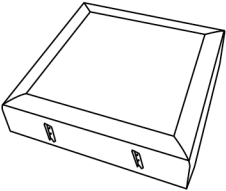
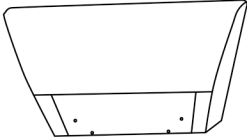
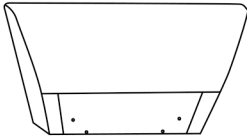
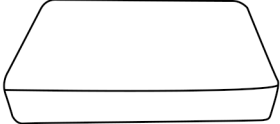
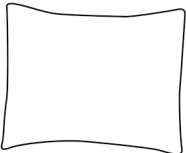
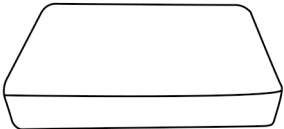
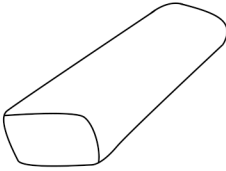
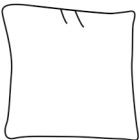
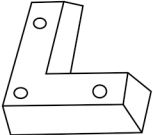
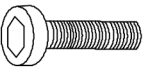
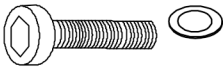
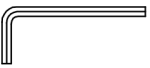
- ⑩ COMPLETED .



Assembly Instructions

IF YOU BUY A SECTIONAL SOFA
please follow below assembly instruction

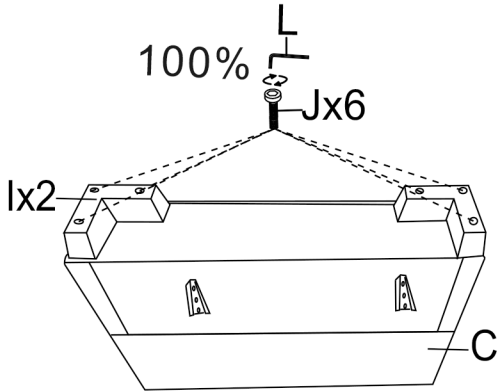
Parts List

<p>A</p>  <p>Seat frame*3</p>	<p>B</p>  <p>Backrest*3</p>	<p>C</p>  <p>Left arm*1</p>	<p>D</p>  <p>Right arm*1</p>
<p>M</p>  <p>Corner sofa Seat frame*1</p>	<p>N</p>  <p>Left backrest*1</p>	<p>O</p>  <p>Right backrest*1</p>	<p>P</p>  <p>Corner sofa Seat cushion*1</p>
<p>E</p>  <p>Back cushion*9</p>	<p>F</p>  <p>Seat cushion*3</p>	<p>G</p>  <p>Armrest pillow*2</p>	<p>H</p>  <p>Pillow*4</p>
<p>I</p>  <p>Leg*20</p>	<p>J</p>  <p>Bolt*82 M6*40mm</p>	<p>K</p>  <p>Bolt*26 M8*55mm</p>	<p>L</p>  <p>Allen key*3</p>

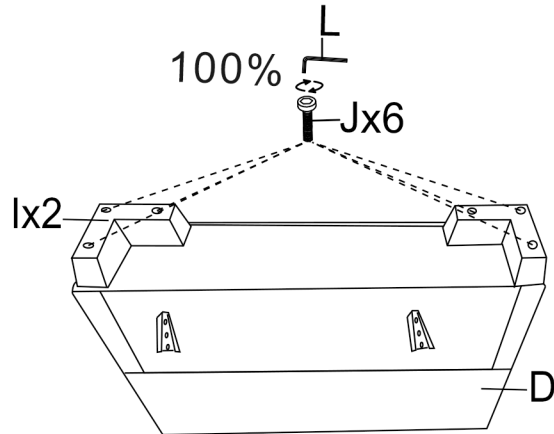
Note: Please retain all boxes until you are certain that your product isn't damaged and that you do not wish to return it. Disposal of boxes may prevent our ability to resolve your request.

STEP 1

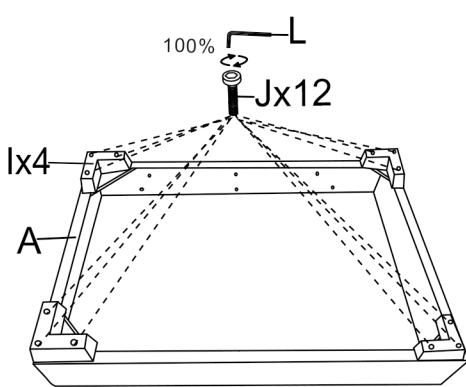
- ① Assemble the Leg (I) to the Left arm (C) with Bolts (J).



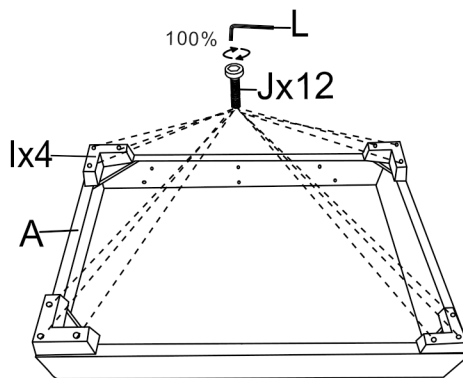
- ② Assemble the Leg (I) to the Right arm (D) with Bolts (J).



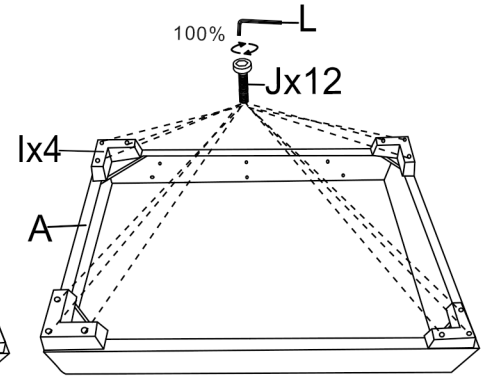
- ③ Assemble the leg (I) to the Seat frame (A) with Bolts (J).



Seat frame 1

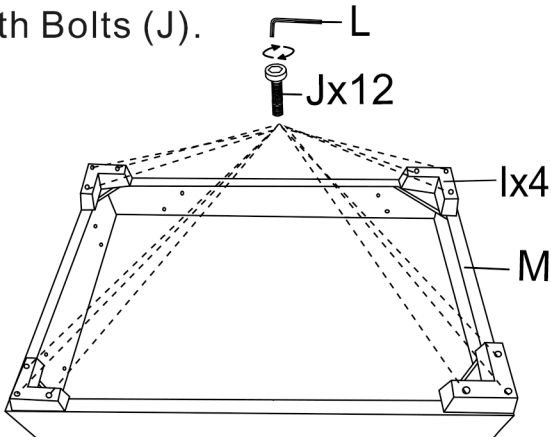


Seat frame 2

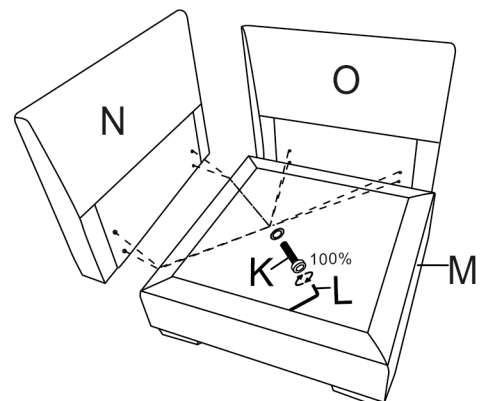


Seat frame 3

- ⑥ Assemble the Leg (I) to the Corner sofa seat frame (M) with Bolts (J).

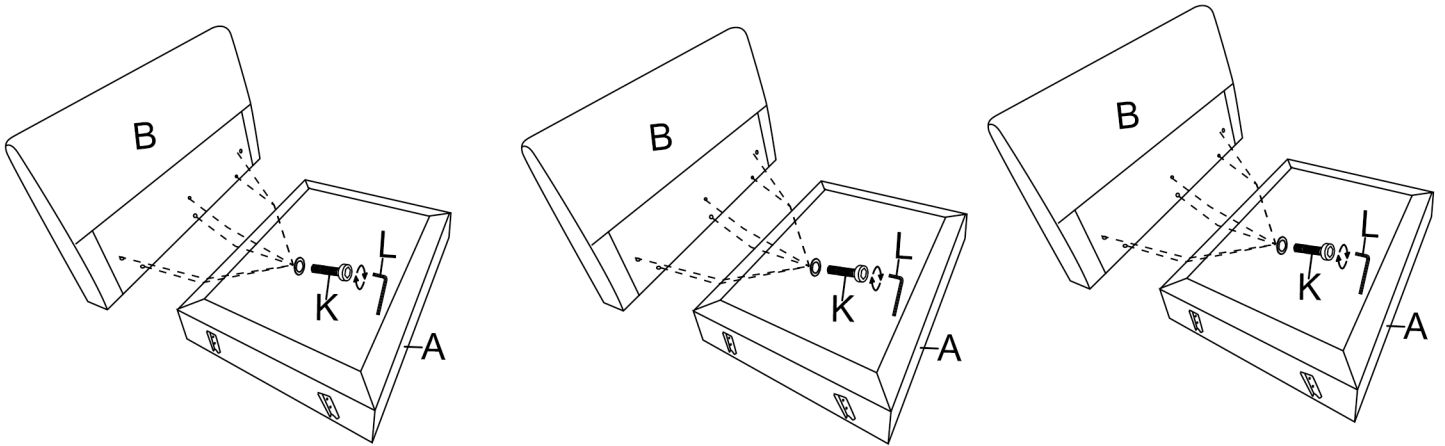


- ⑦ Assemble the Left backrest (N) and Right backrest (O) to Corner sofa Seat frame (M) with Washer (K).



STEP 2

- ⑧ Assemble the Backrest (B)to the Seat frame(A) with Washer (K).

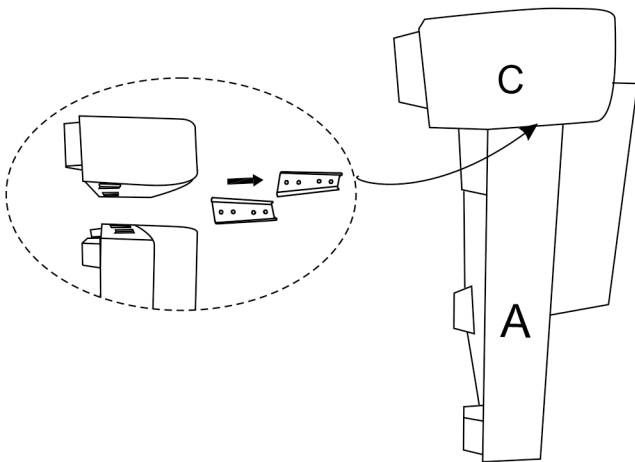


Backrest 1

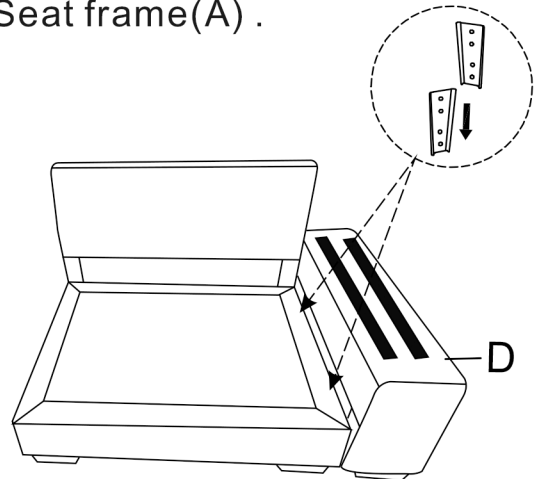
Backrest 2

Backrest 3

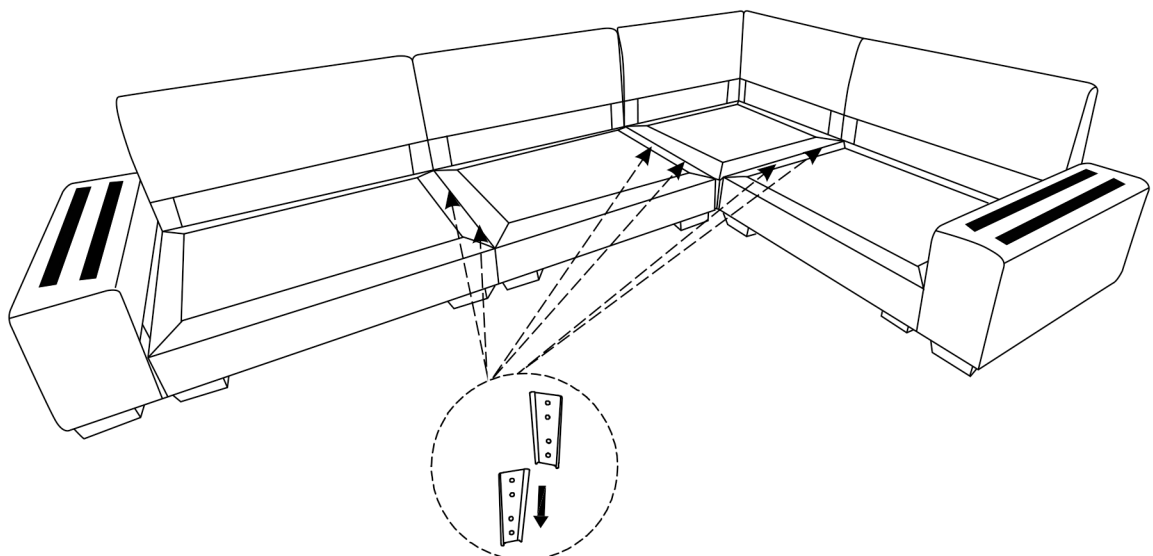
- ⑨ Assemble the Seat frame(A) to the Left arm (C).



- ⑩ Assemble the Right arm (D) to the Seat frame(A) .

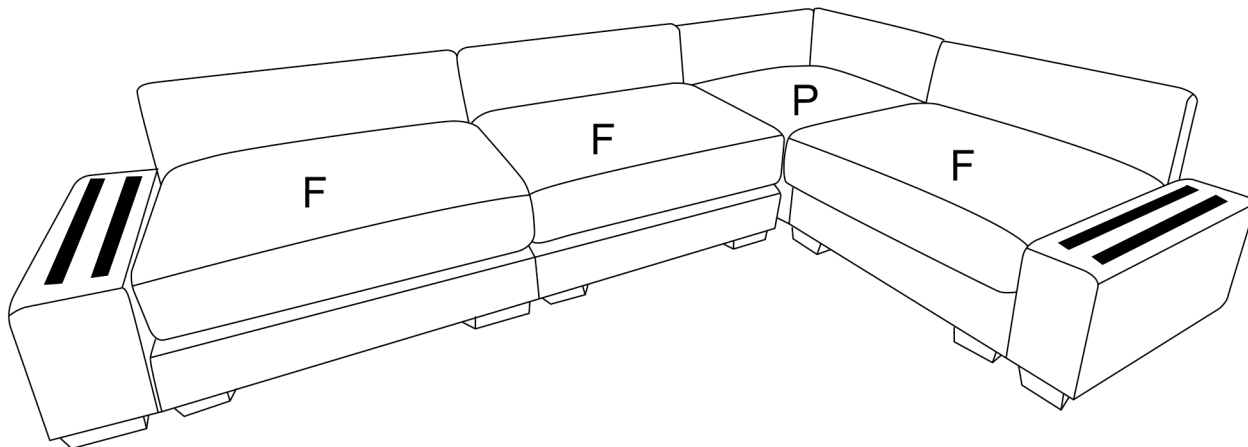


- ⑪ Connect the three Seat frames (B) and the Corner sofa seat frame (M) together.

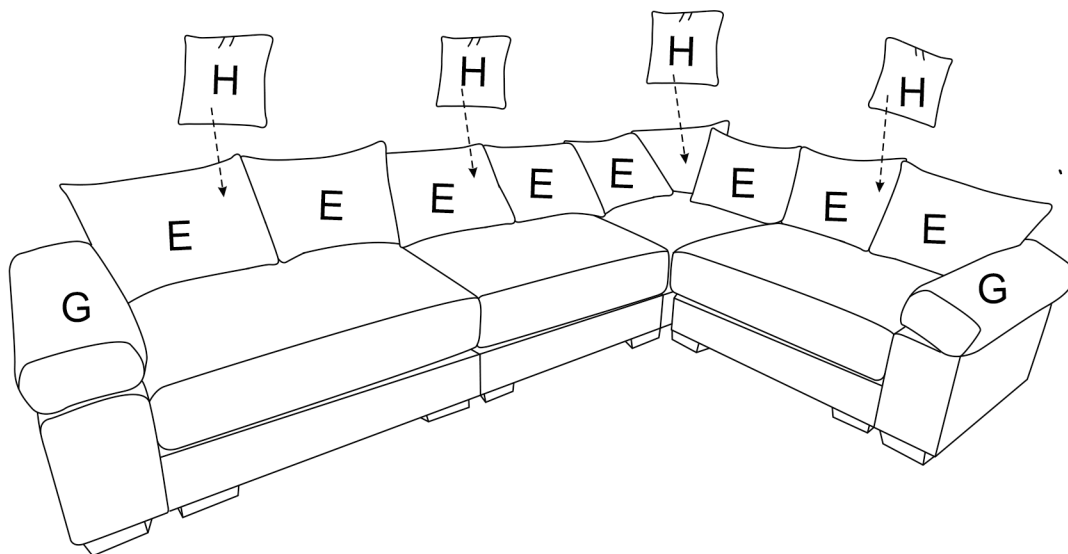


STEP 3

- ⑫ Put left Seat cushion(F) and Corner sofa seat cushion(P) to the sofa.



- ⑬ Put Armrest pillow(G) and Back cushion(E) and Pillow (H) to the sofa.



- ⑭ COMPLETED .

