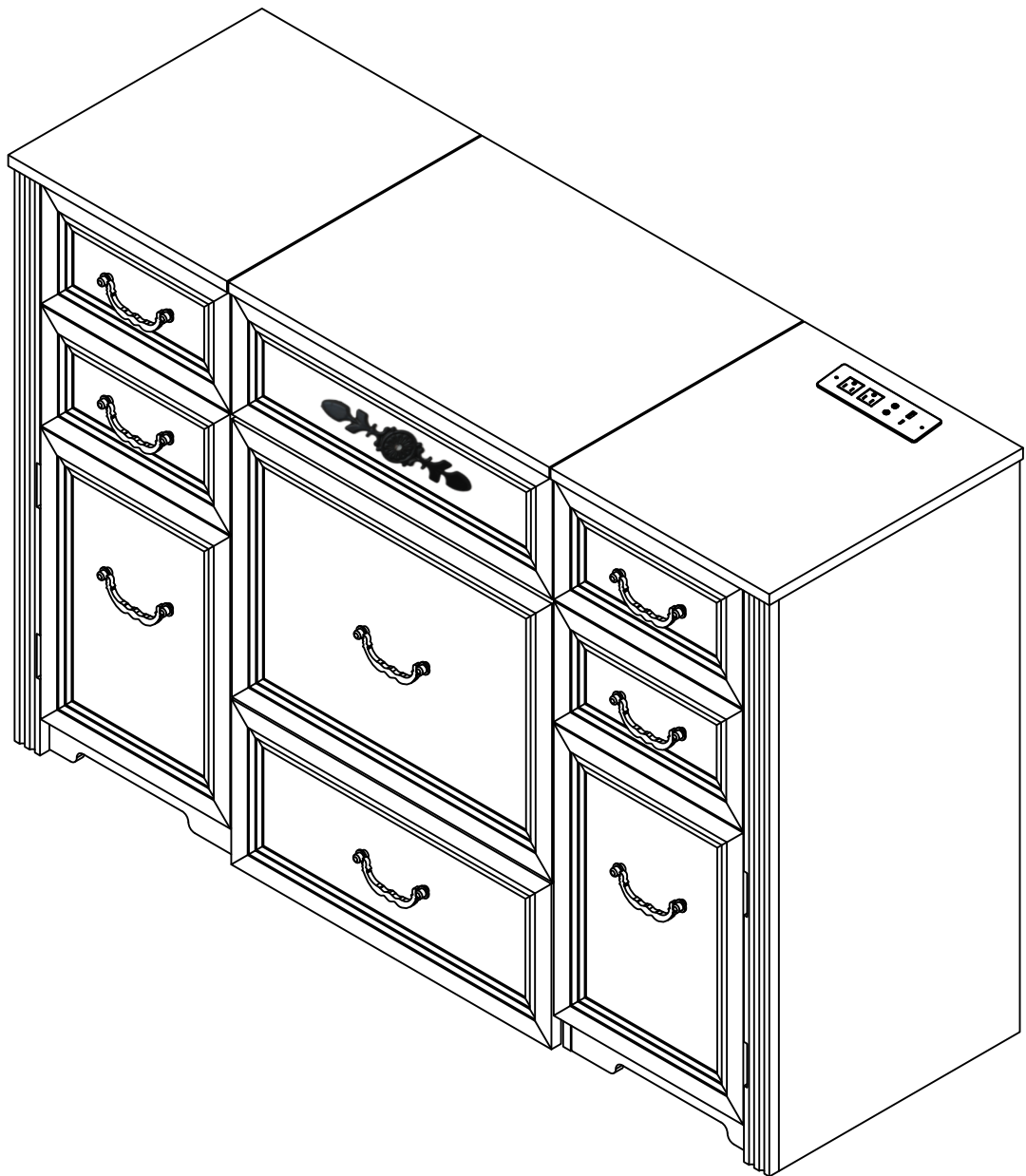
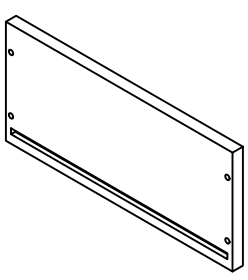
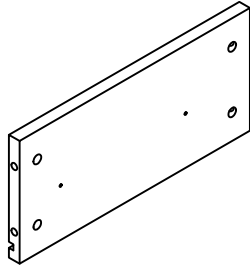


# Product Installation Instructions

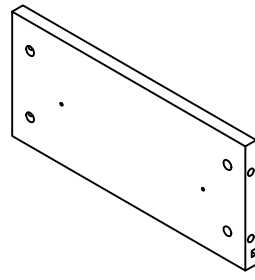




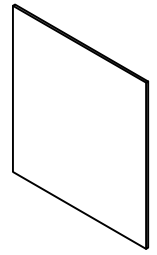
1x4



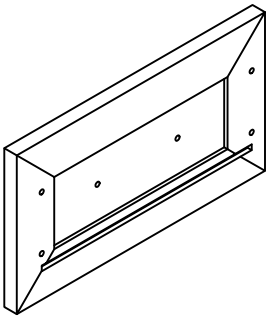
2x4



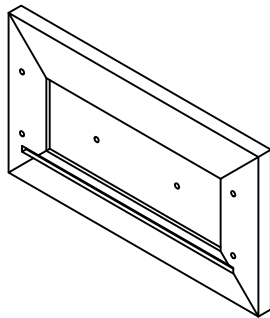
3x4



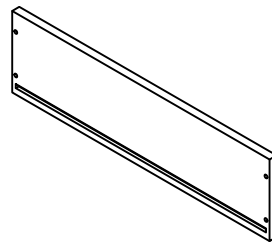
4x4



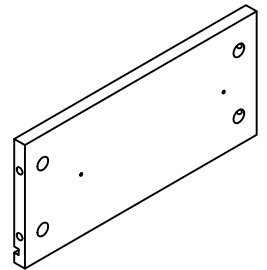
5x2



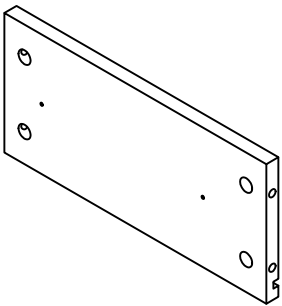
6x2



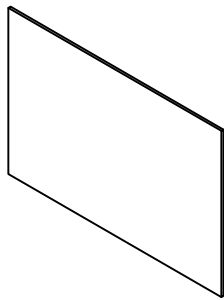
7x1



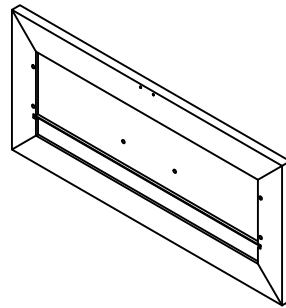
8x1



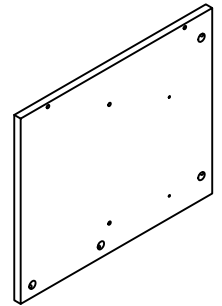
9x1



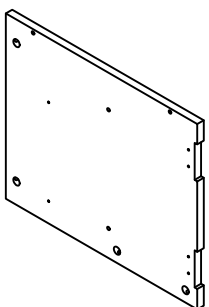
10x1



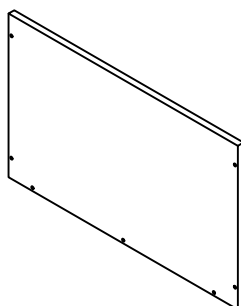
11x1



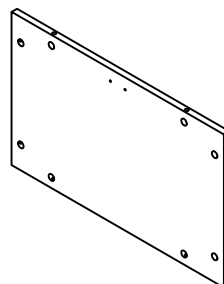
12x1



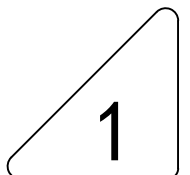
13x1



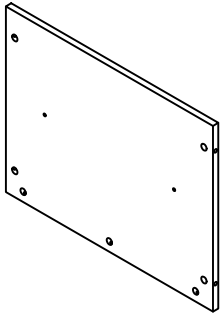
14x1



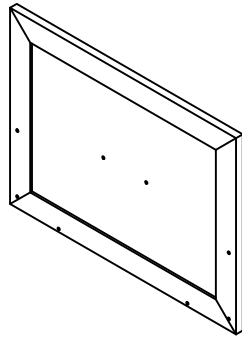
15x1



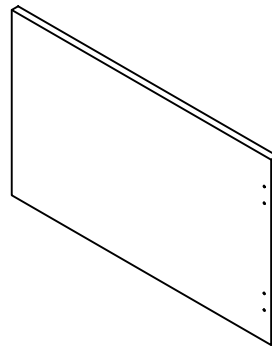
1



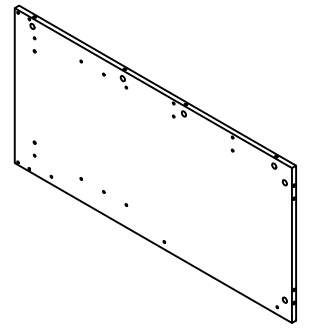
16x1



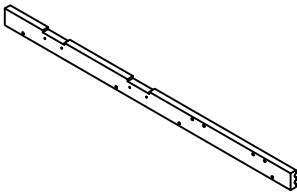
17x1



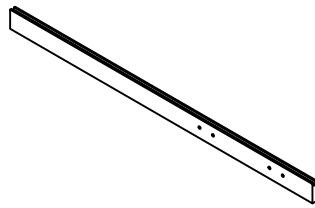
18x1



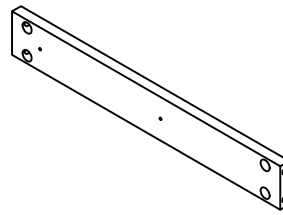
19x1



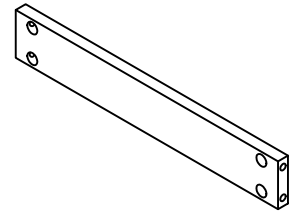
20x1



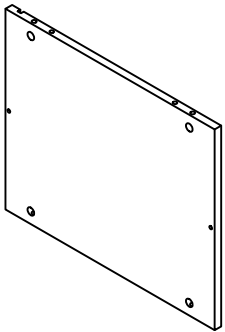
21x1



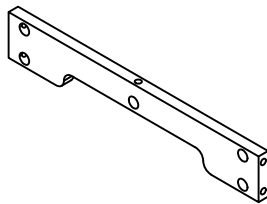
22x4



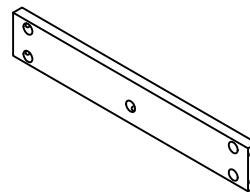
23x4



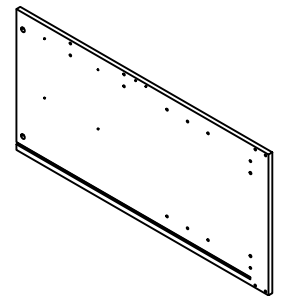
24x1



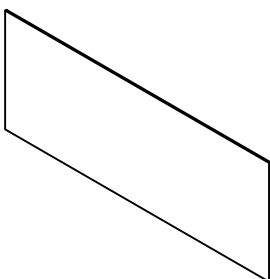
25x2



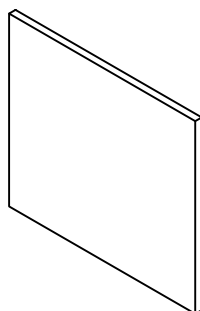
26x2



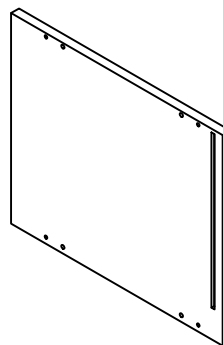
27x1



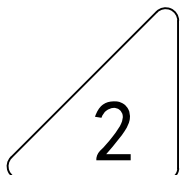
28x1

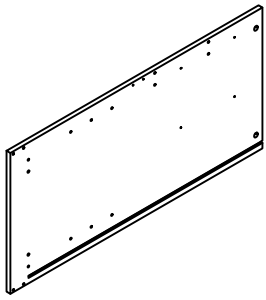


29x2

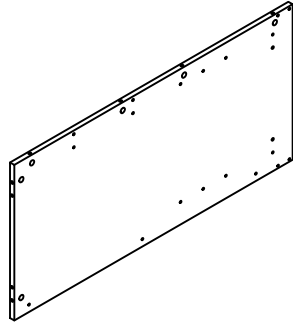


30x1

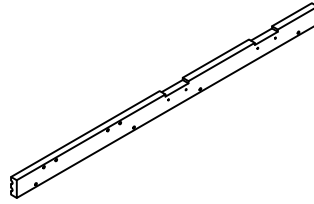




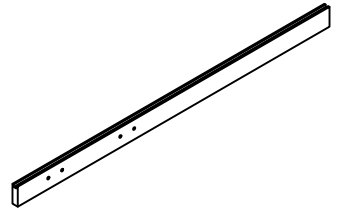
31x1



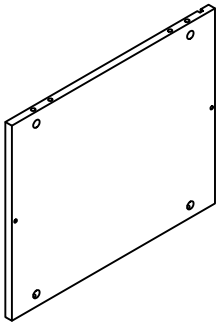
32x1



33x1



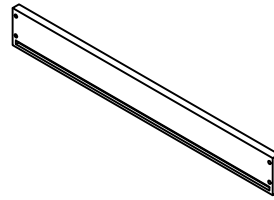
34x1



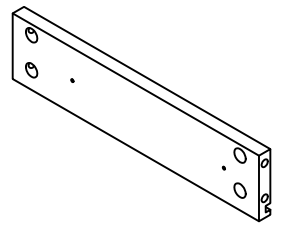
35x1



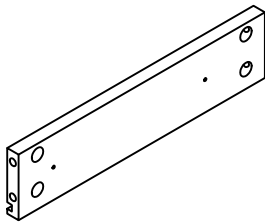
36x1



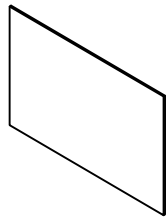
37x1



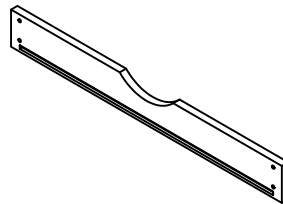
38x1



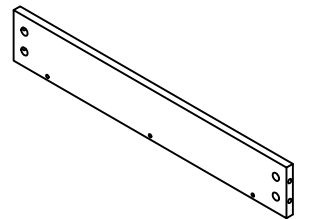
39x1



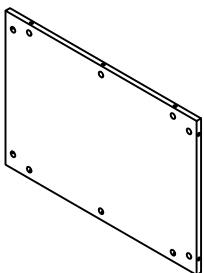
40x1



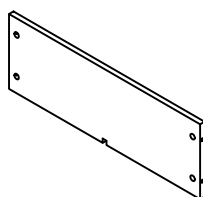
41x1



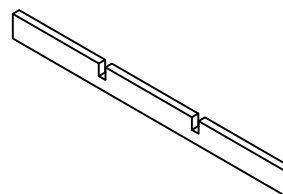
42x1



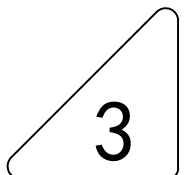
43x1



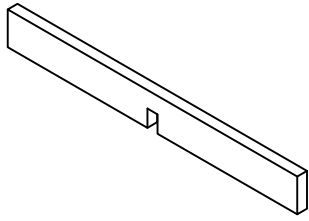
44x1



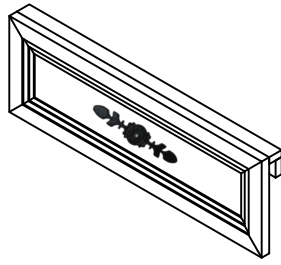
45x1



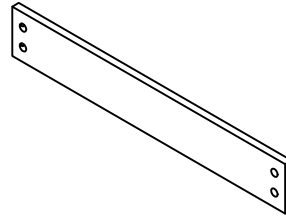
3



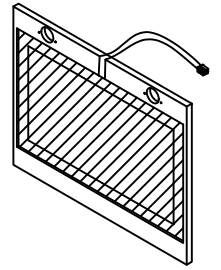
46x2



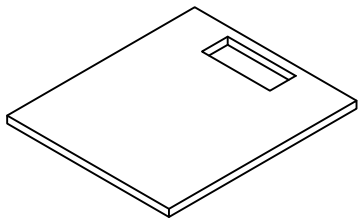
47x1



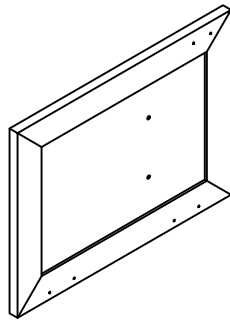
48x1



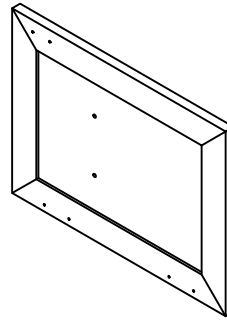
49x1



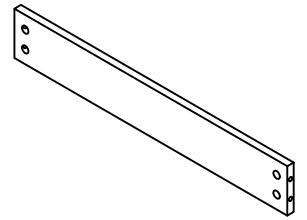
50x1



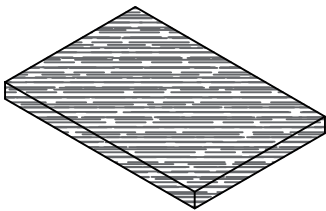
51x1



52x1

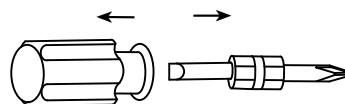
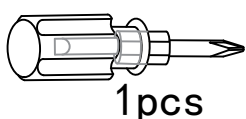


53x1



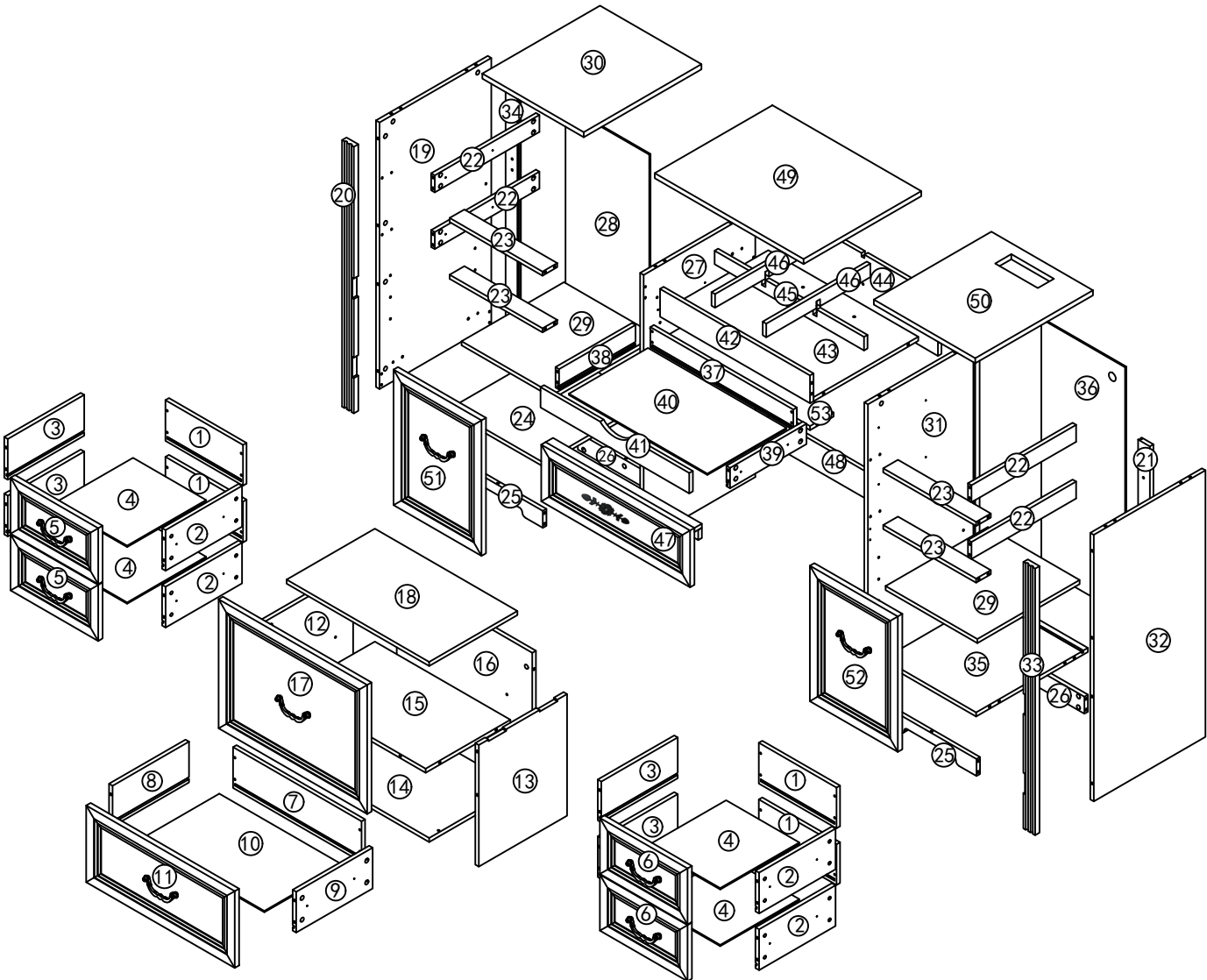
54x1

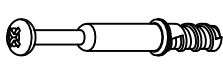

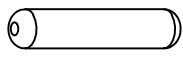




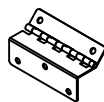



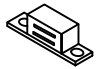


①		Two In One Screw (6x28mm)	179pcs +8pcs
②		Two In One Nut (10x12mm)	179pcs +8pcs
③		Wood Chipping (6x30mm)	24pcs +2pcs
④		Handle & Screw (4x10mm)	8pcs / 16pcs +2pcs
⑤		Screw & Guide (3x12mm)	12pcs / 62pcs +12pcs
⑥		Fixing clip & screw (3x16mm)	8pcs +2pcs
⑦		Wheel & Screw (3.5x12mm)	+4pcs / 16pcs +2pcs
⑧		Laminate support nail	8pcs
⑨		Hinge & Screw (4x12mm) (3.5x12mm)	2pcs / 4pcs +1pcs / 4pcs +1pcs
⑩		Screw (3x10mm) Magnetic attraction Iron sheet	3pcs / 3pcs / 12pcs +1pcs
⑪		Non-slip pads (50x10x2mm)	16pcs +2pcs
⑫		Hinge & Screw (3.5x12mm)	2pcs / 10pcs +2pcs
⑬		Hinge & Screw (3.5x12mm)	4pcs / 24pcs +2pcs
⑭		Power Socket & Screw (3x10mm)	1pcs / 2pcs +1pcs
⑮		anti-tipping tape Countersunk head tapping screw (3.5x12mm) gasket	1 Pcs
		Countersunk head tapping screw (4x45mm)	

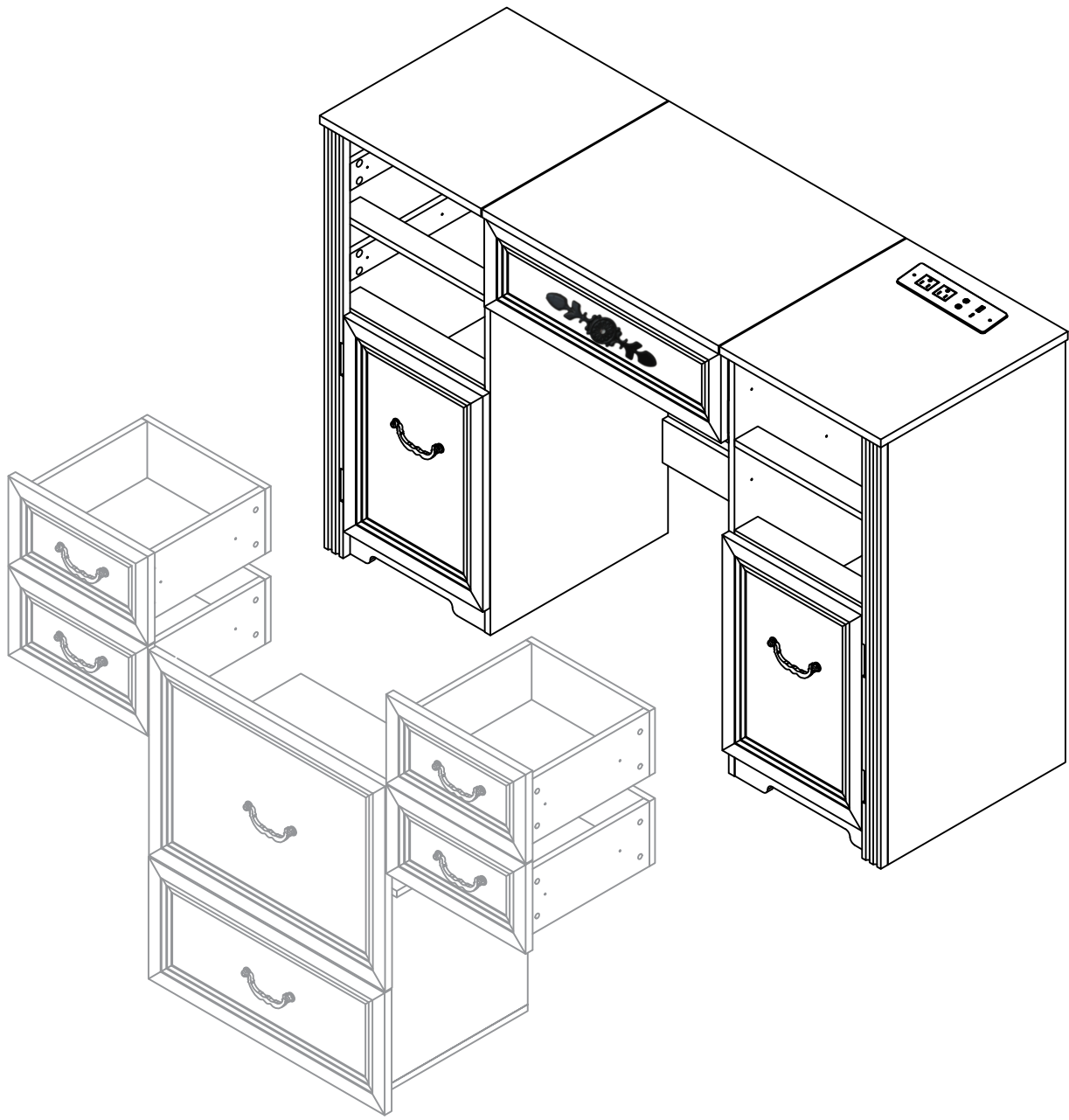


Double-head screwdriver, use as required

# Product structure decomposition

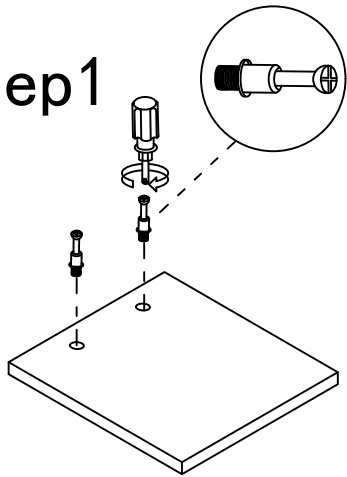


①		63pcs	②		63pcs	③		20pcs
④	 	6pcs 12pcs	⑤	 	10pcs 30pcs	⑫	 	2pcs 10pcs
⑦	 	4pcs 16pcs	⑩		1pcs 2pcs	⑩	 	1pcs 2pcs

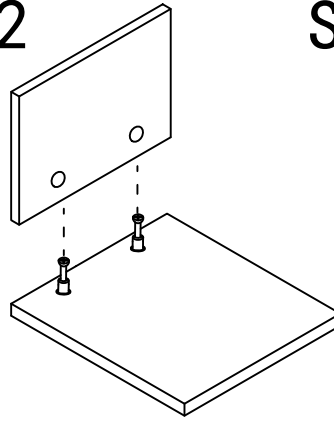


# Use parts ① and ②

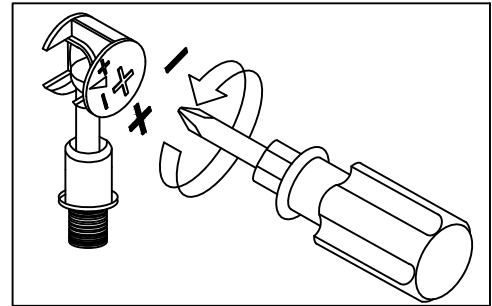
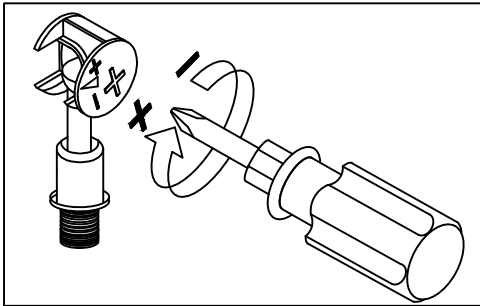
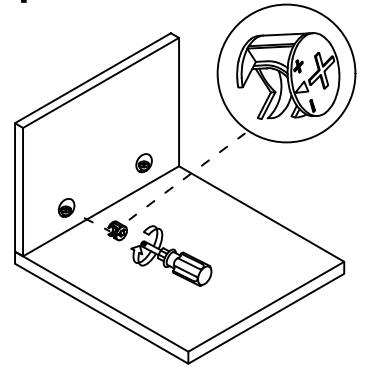
Step1



Step2



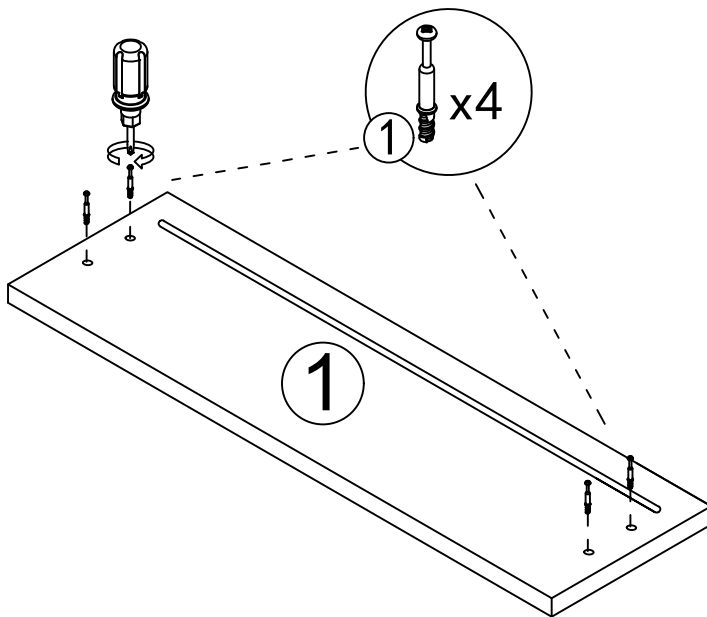
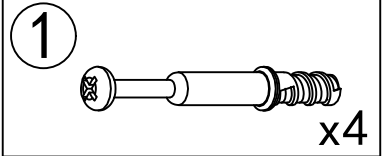
Step3



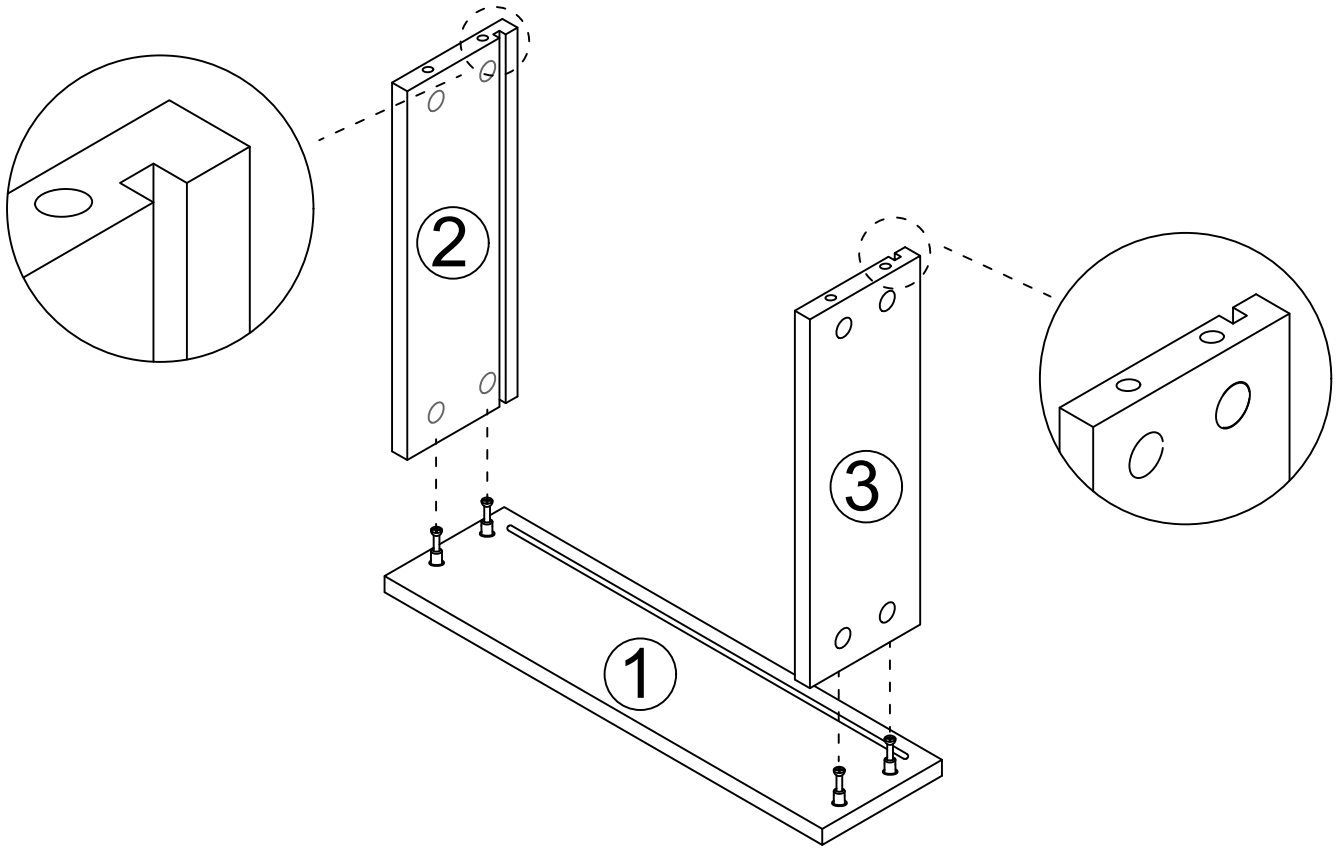
Use a screwdriver to lock in the direction of the "+" sign

Disassemble along the direction of "-" sign

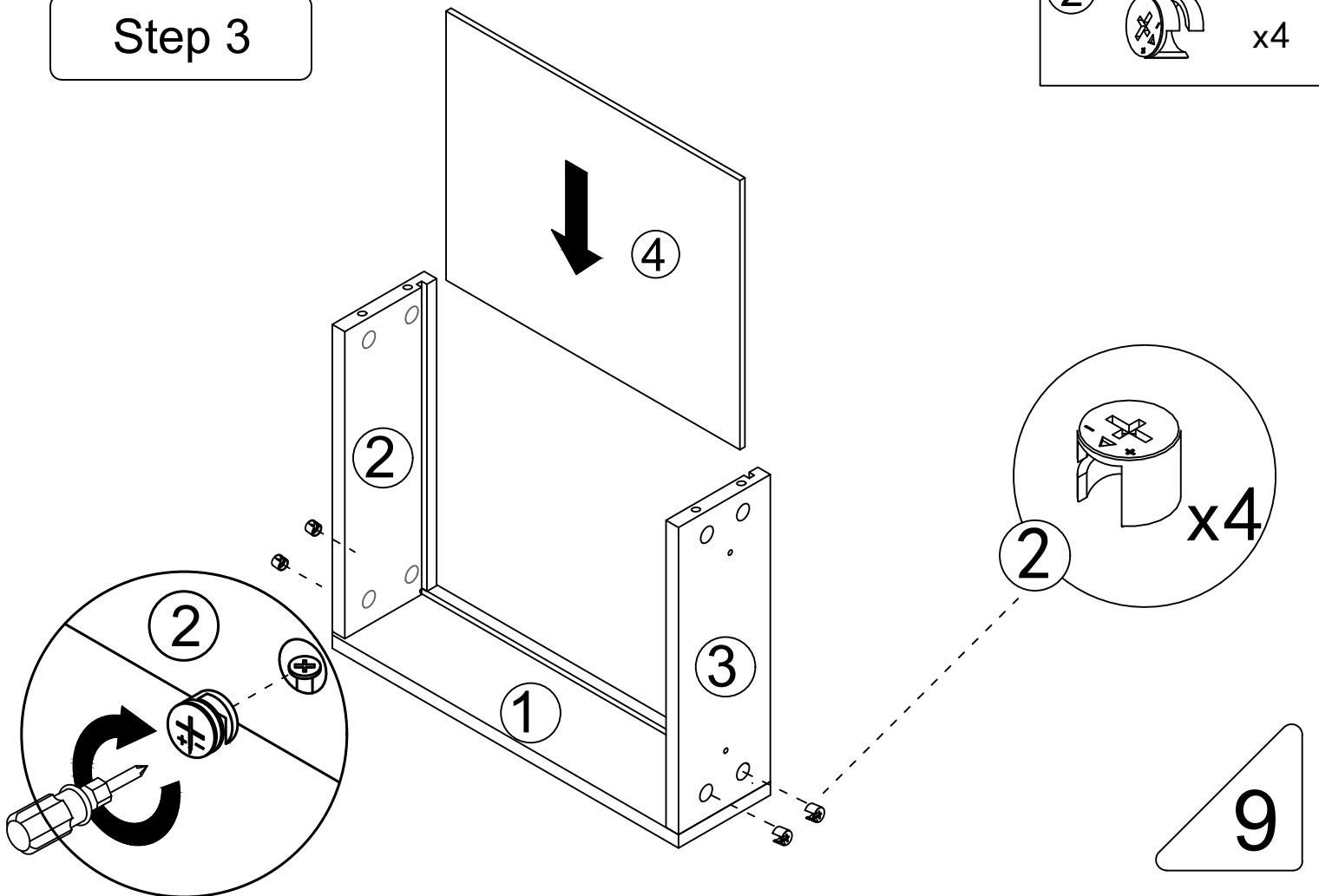
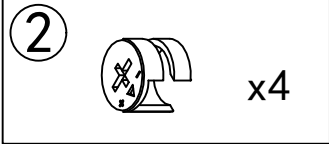
Step 1



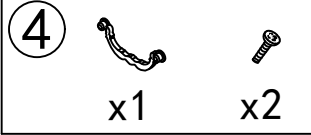
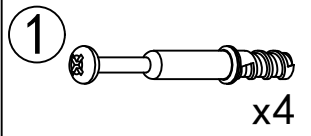
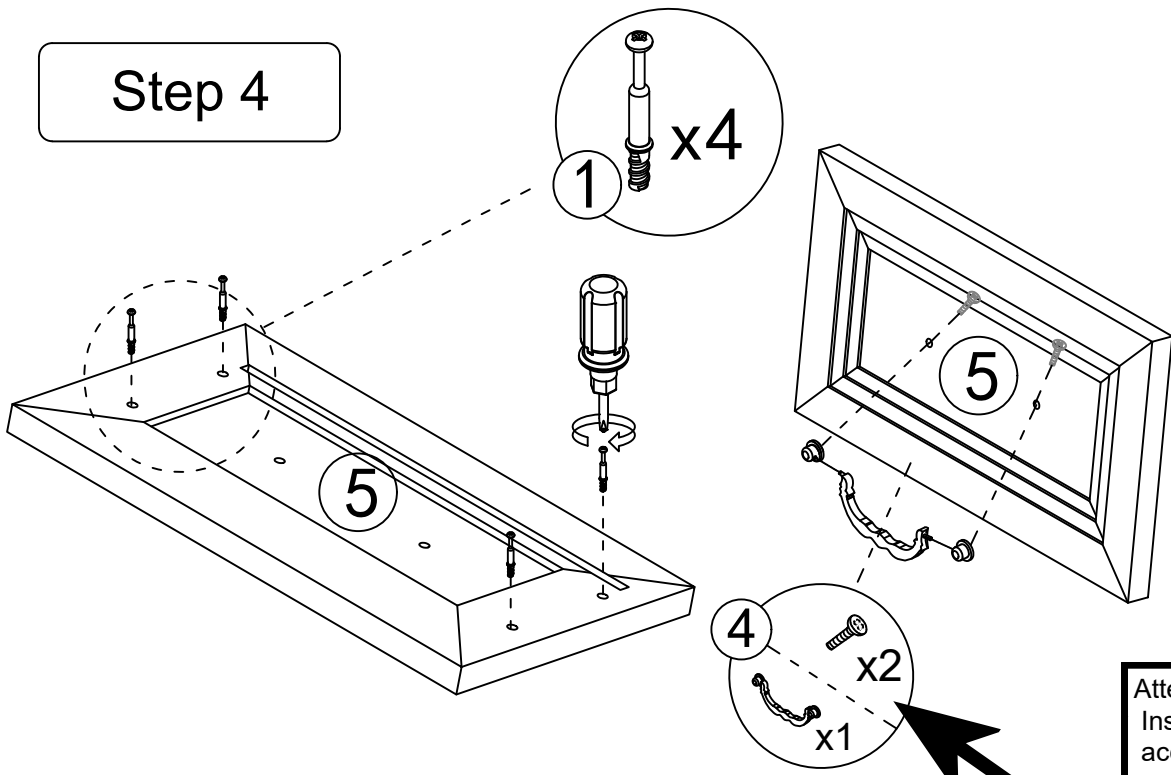
Step 2



Step 3

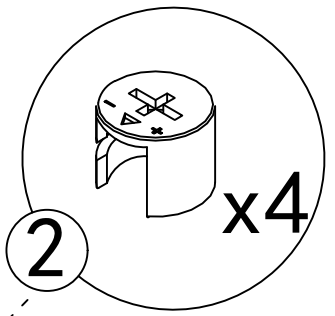
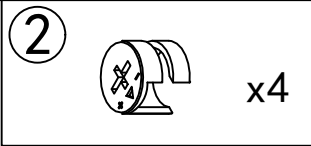
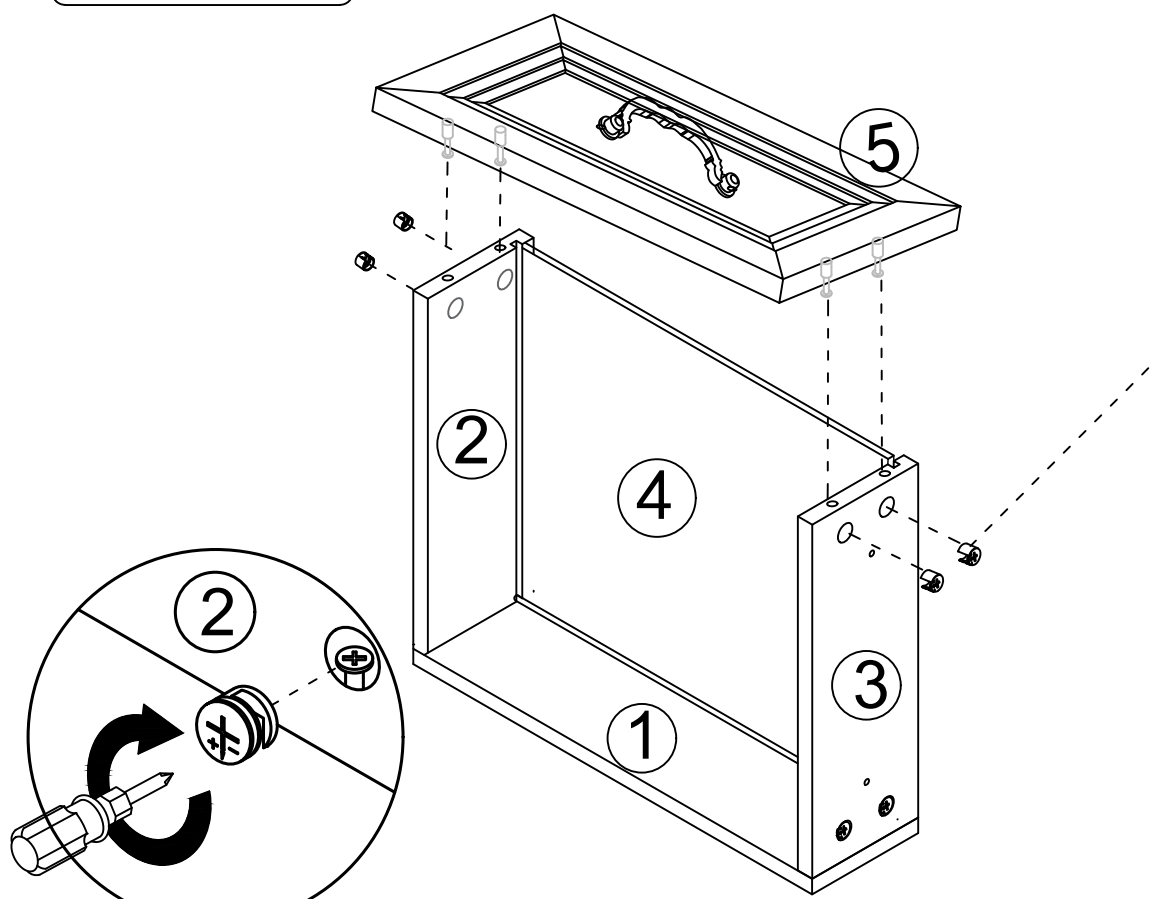


# Step 4

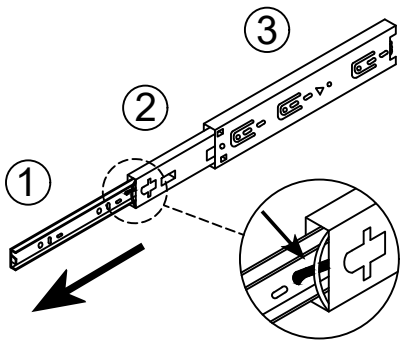


Attention:  
Install the handle accessories  
according to the pattern

# Step 5

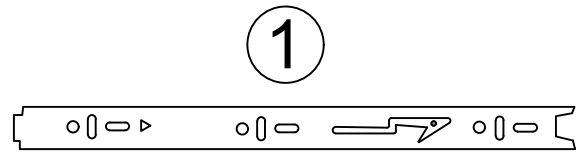


Exploded view of drawer guide rail



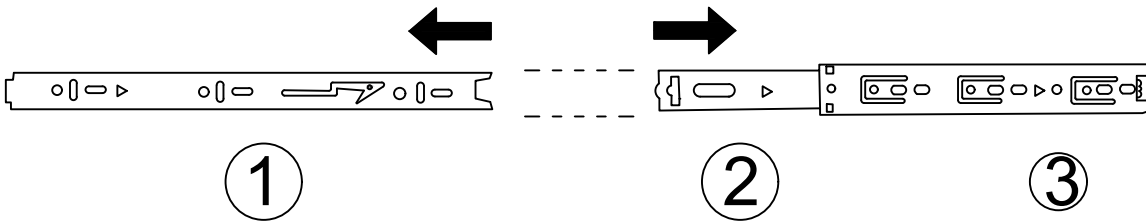
Step 1 : Pull the guide rail apart

Step 2 : Push the nylon buckle and pull outward ①



②

③

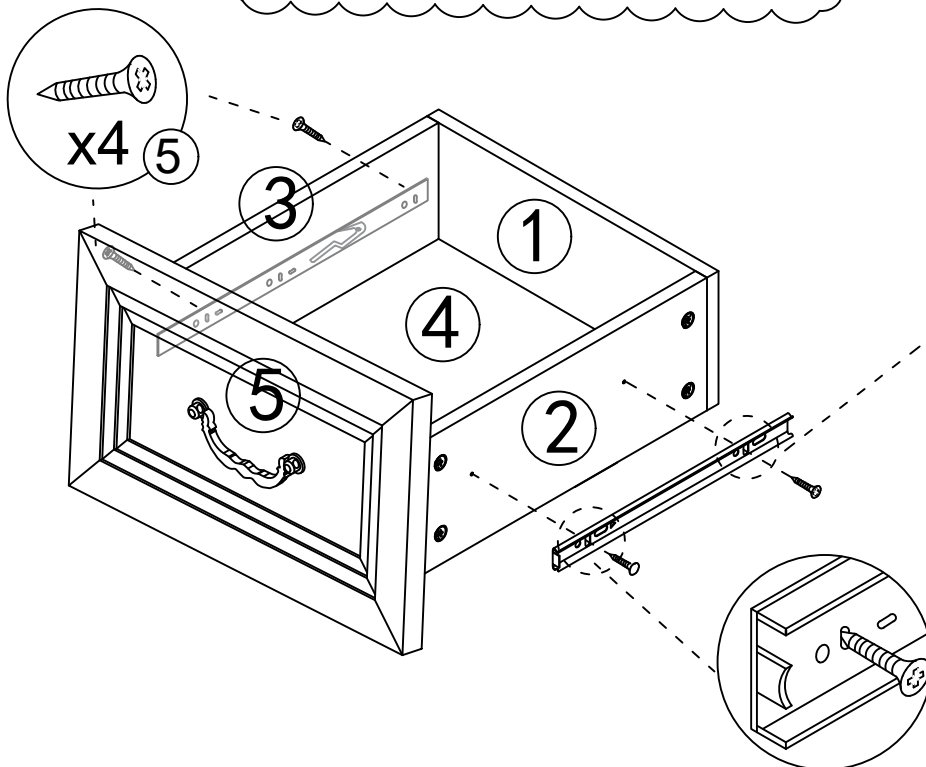
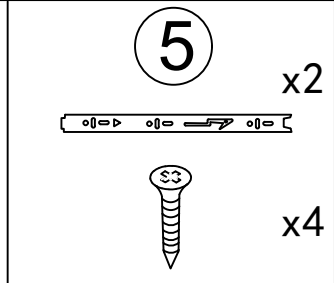
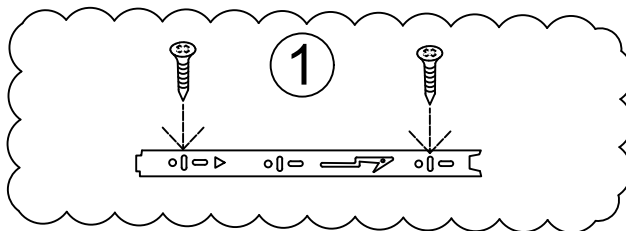


①

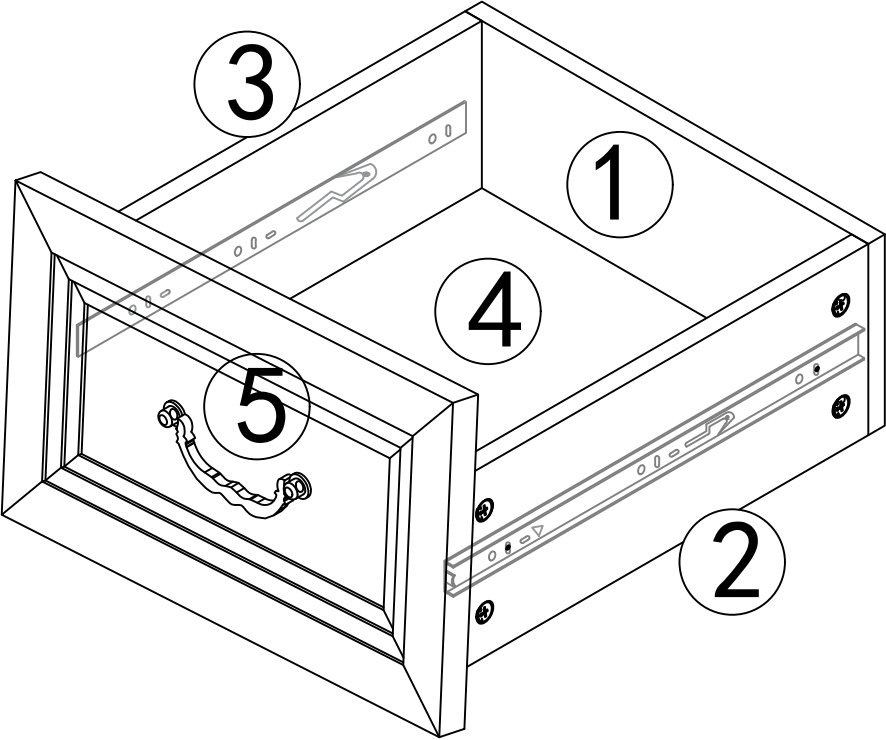
②

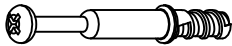





③

Step 6



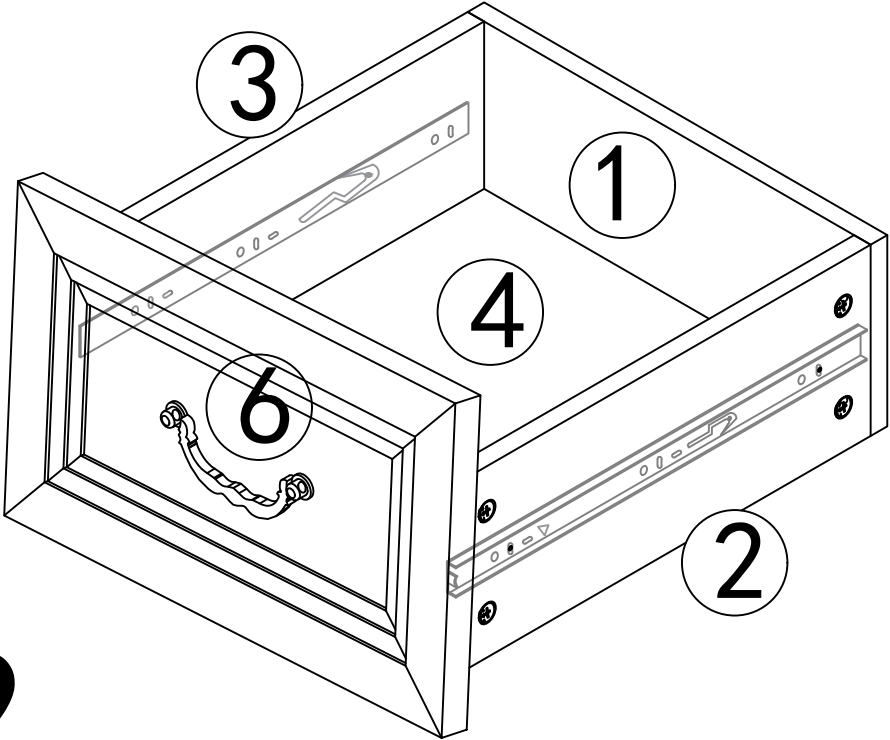
Step 7

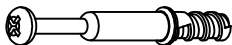



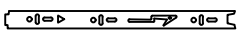



- ①  x16
- ②  x16
- ④  x2      x4
- ⑤  x4  
 x8

X2

The left and right drawers are installed the same way

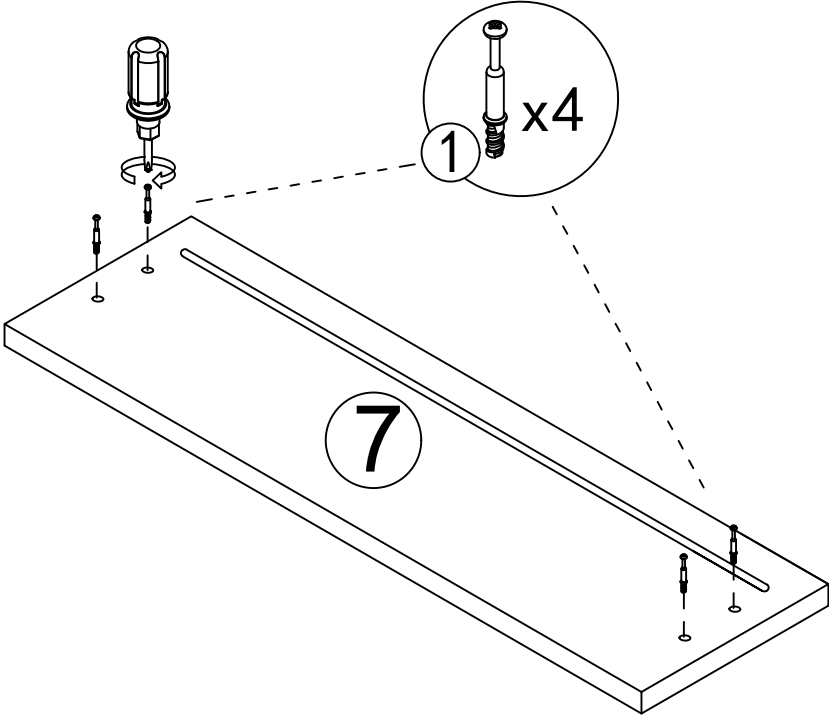
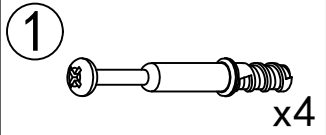


- ①  x16
- ②  x16
- ④  x2      x4
- ⑤  x4  
 x8

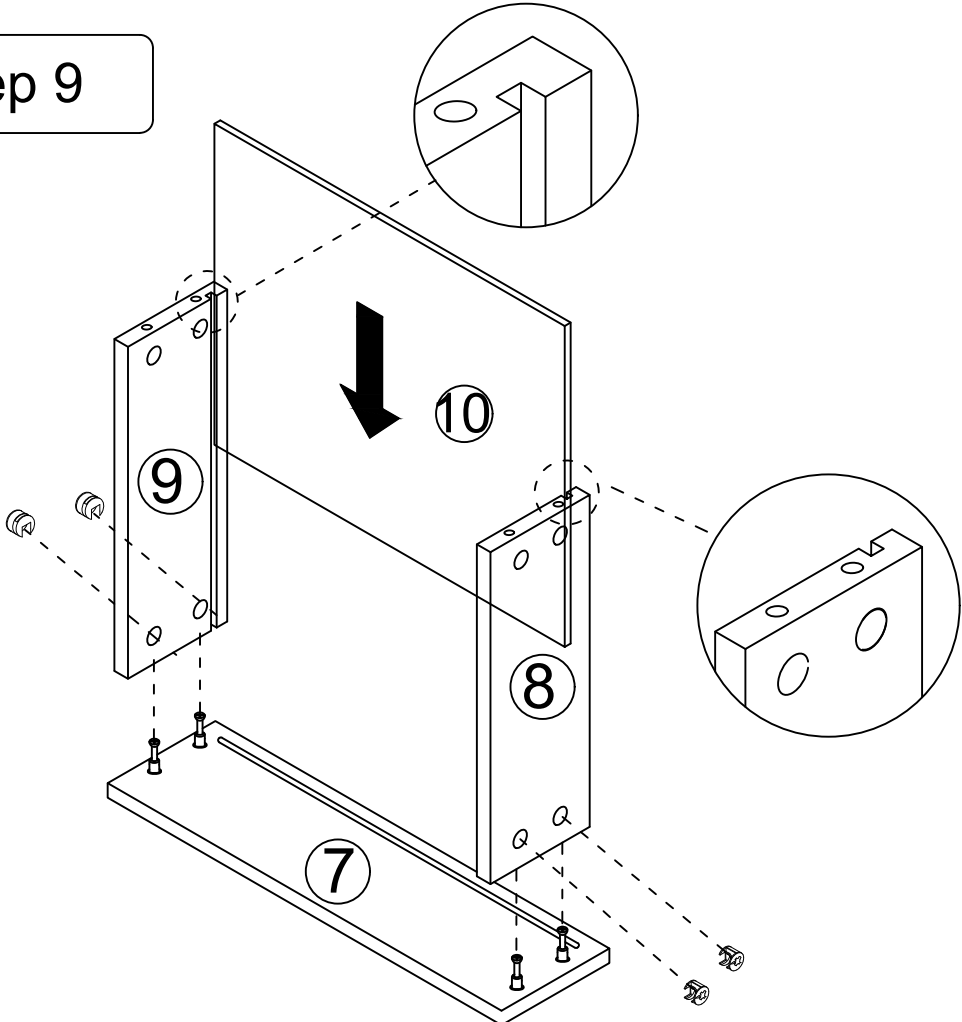
X2

The left and right drawers are installed the same way

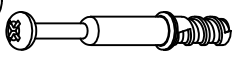


Step 8

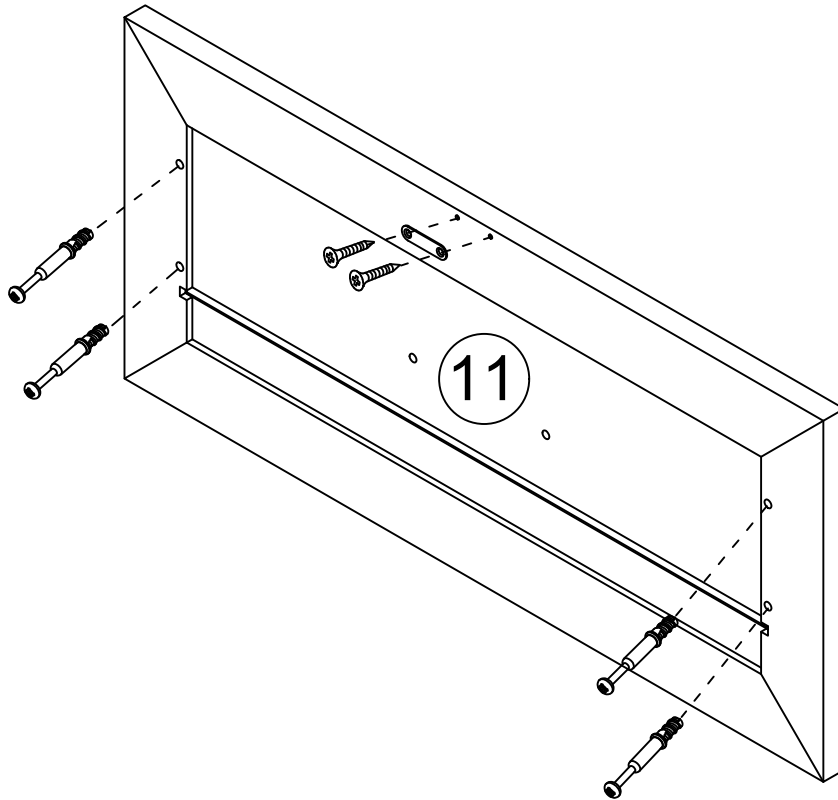


Step 9



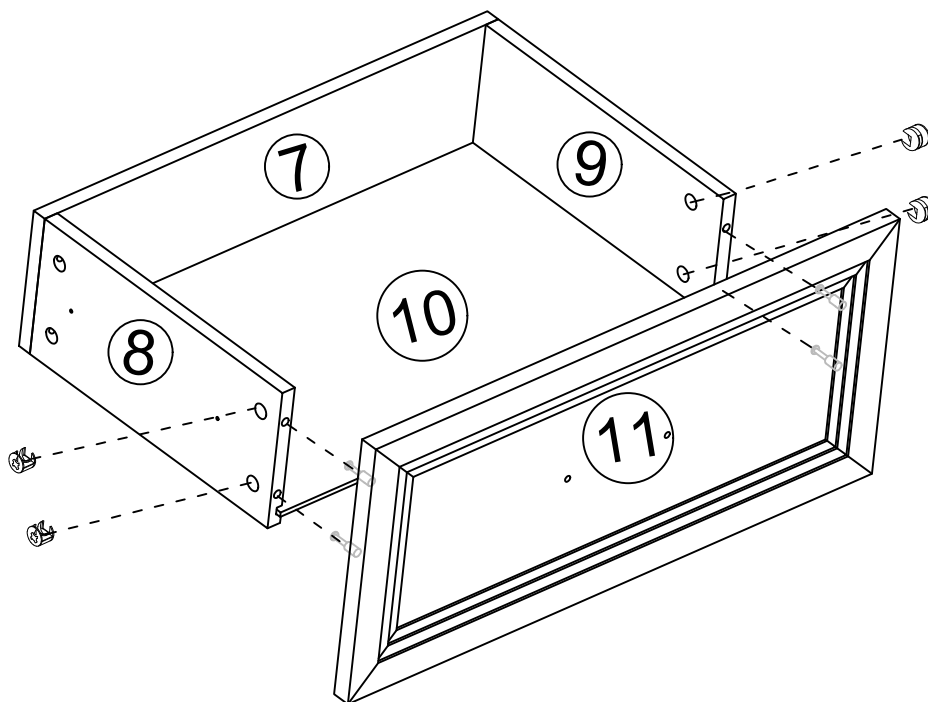
Step 10

- ①  x4
- ⑩  x1  x2



Step 11

- ②  x4

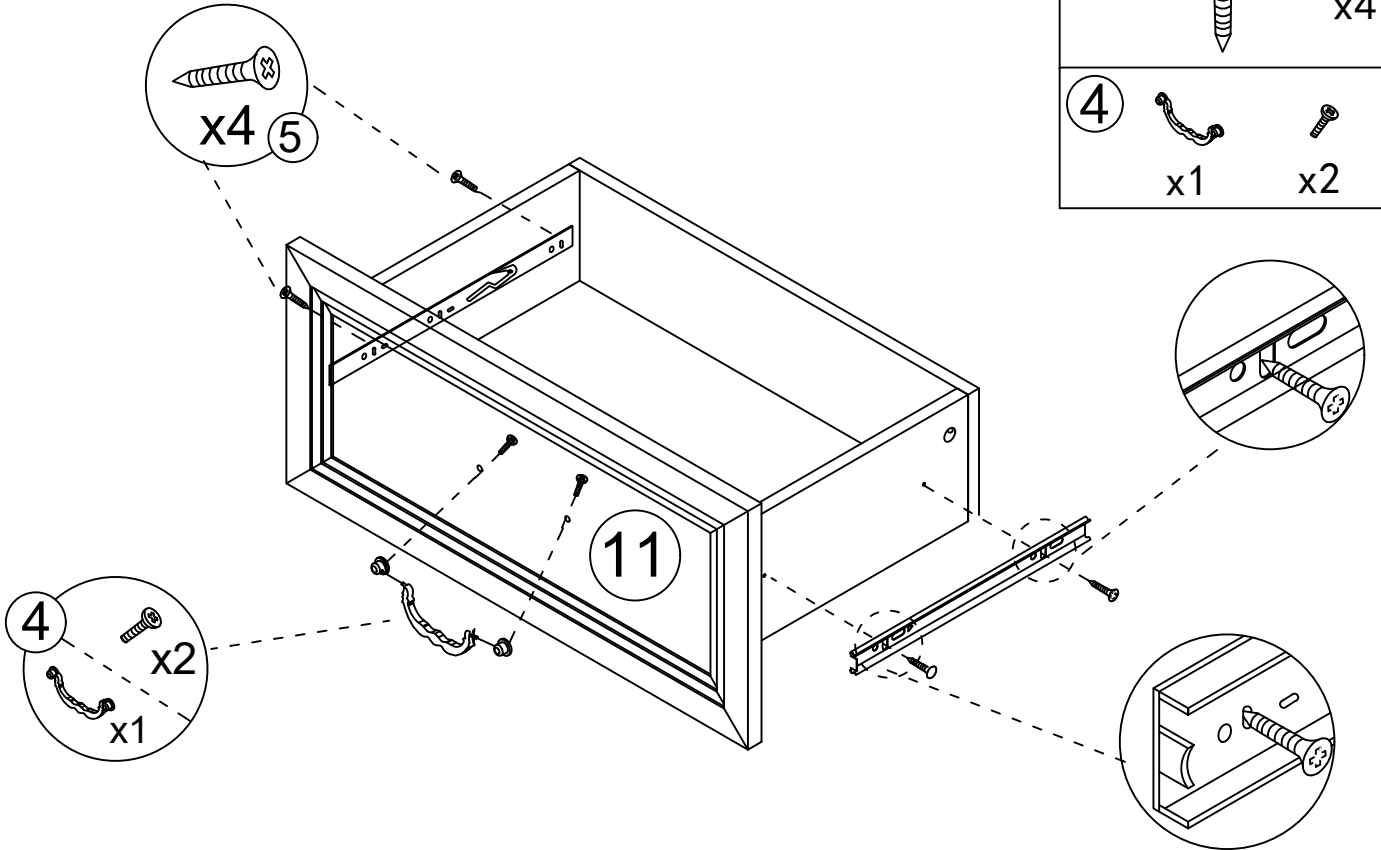


Step 12

5 x2

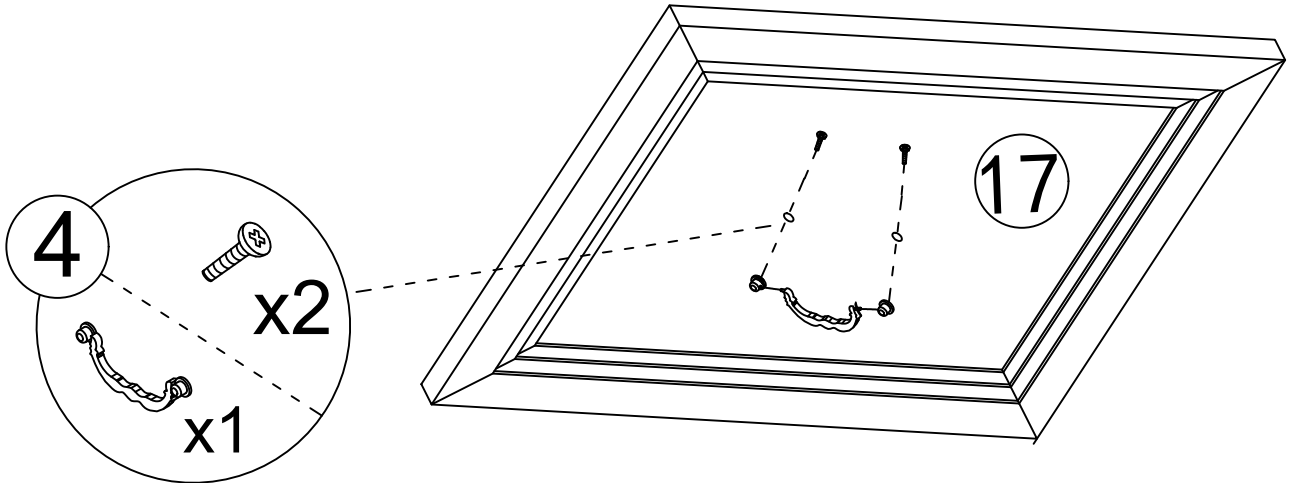
x4

4 x1 x2

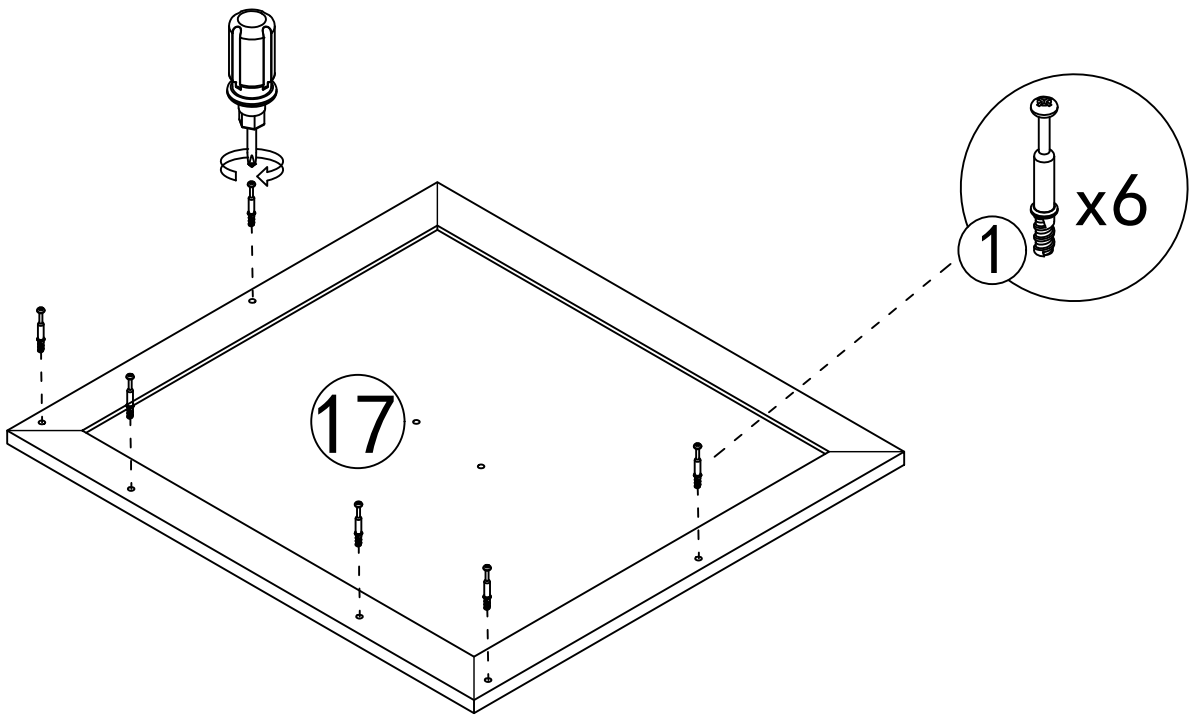
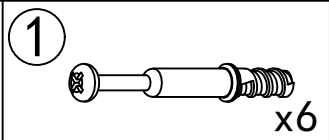


Step 13

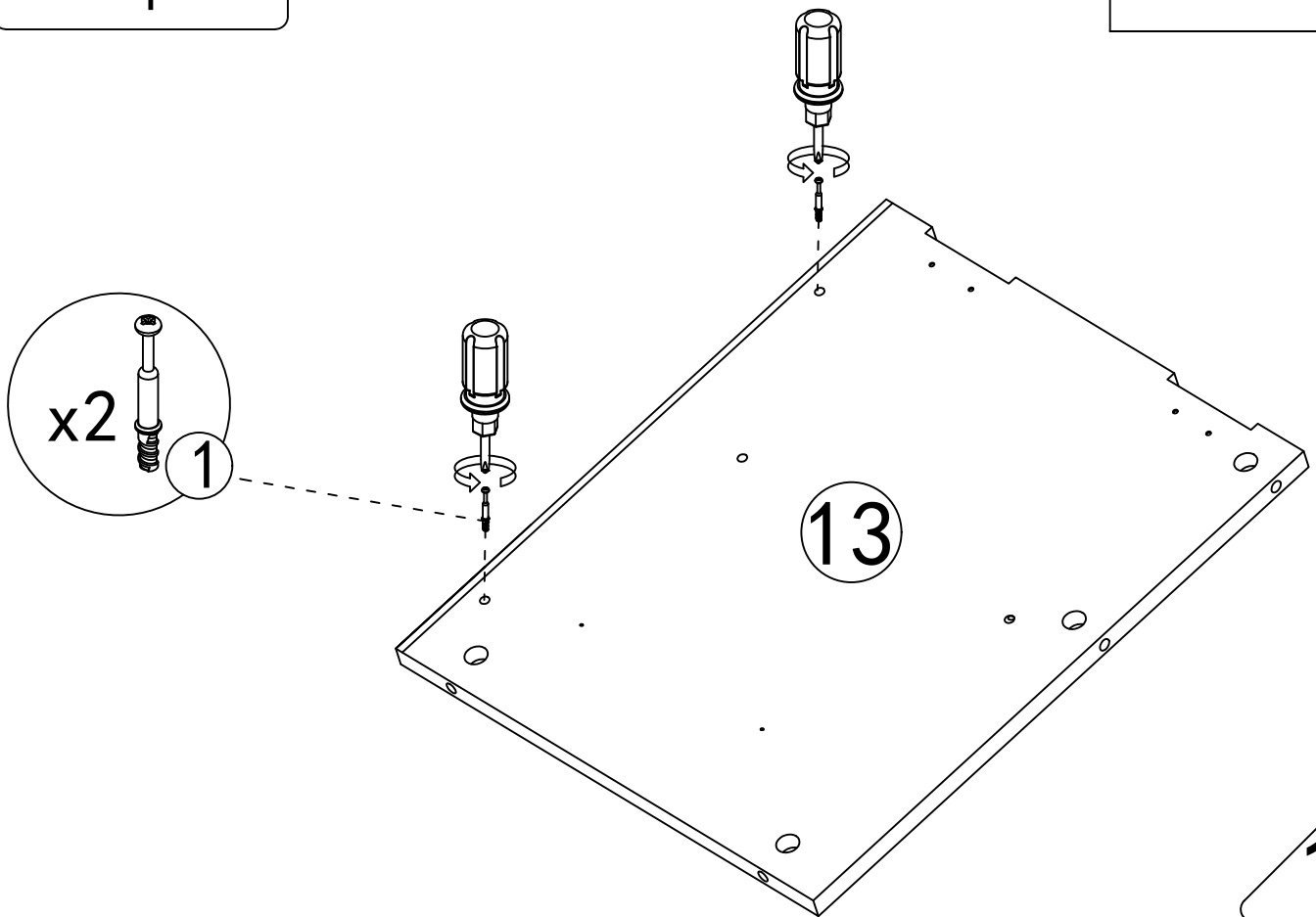
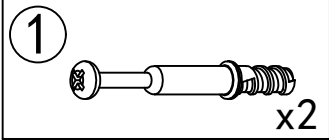
4 x1 x2



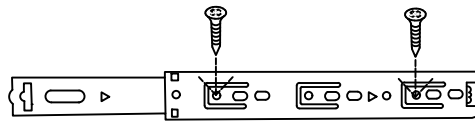
Step 14



Step 15

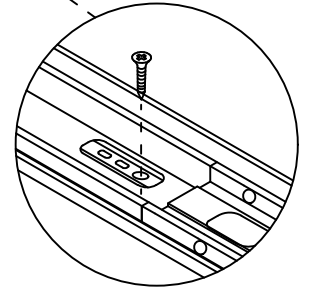
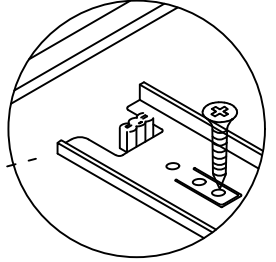
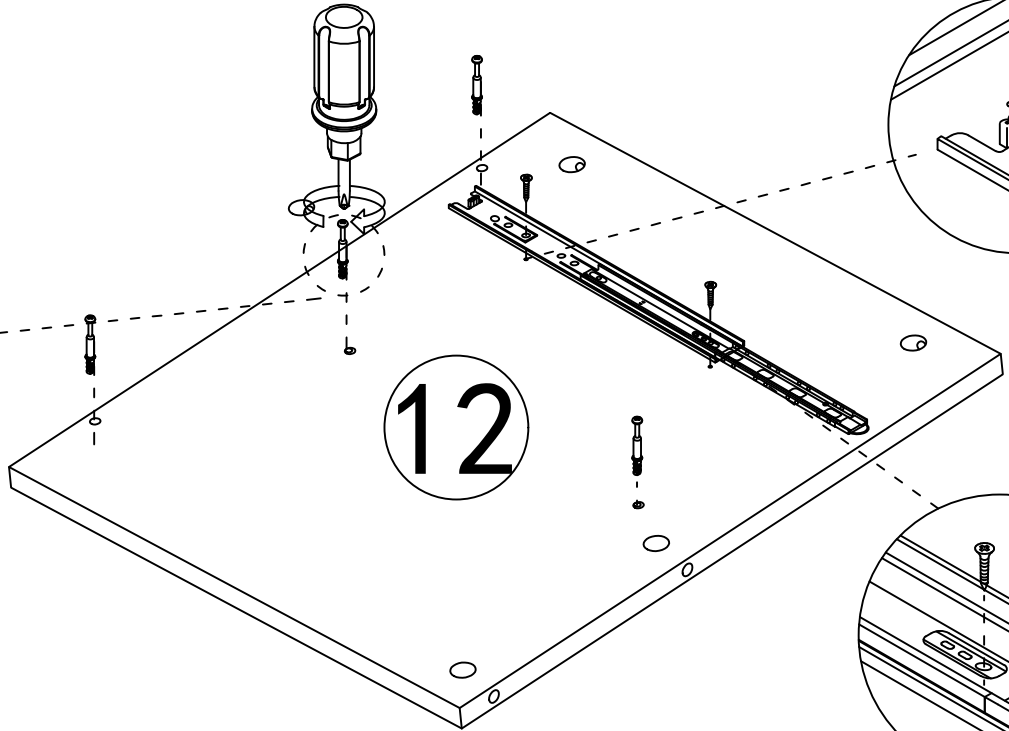
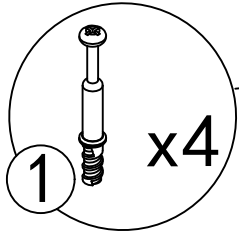
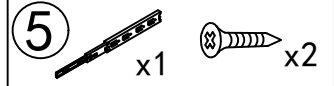
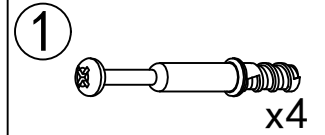


# Step 16

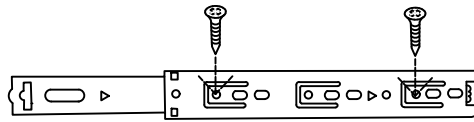


2

3

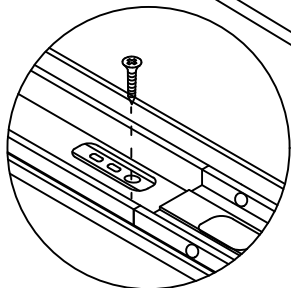
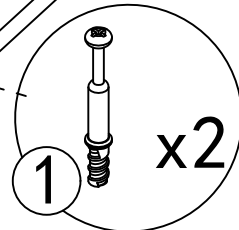
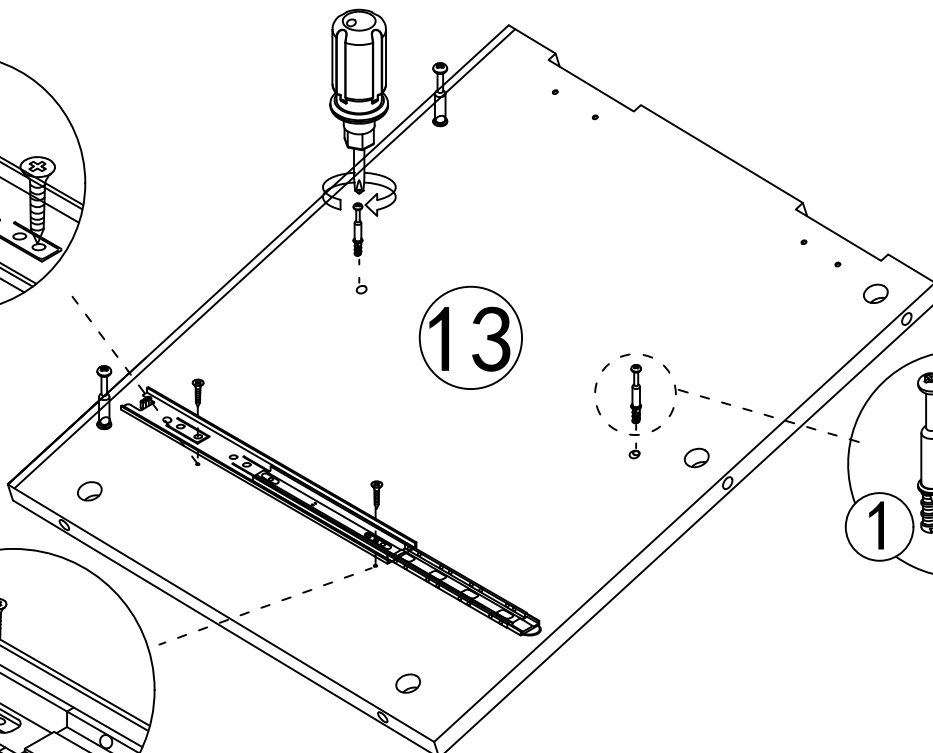
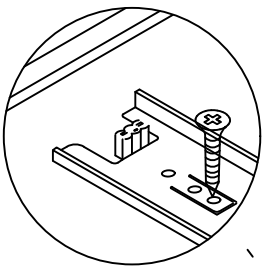
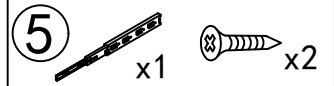
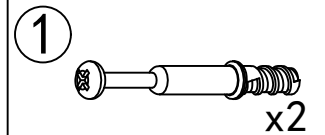


# Step 17

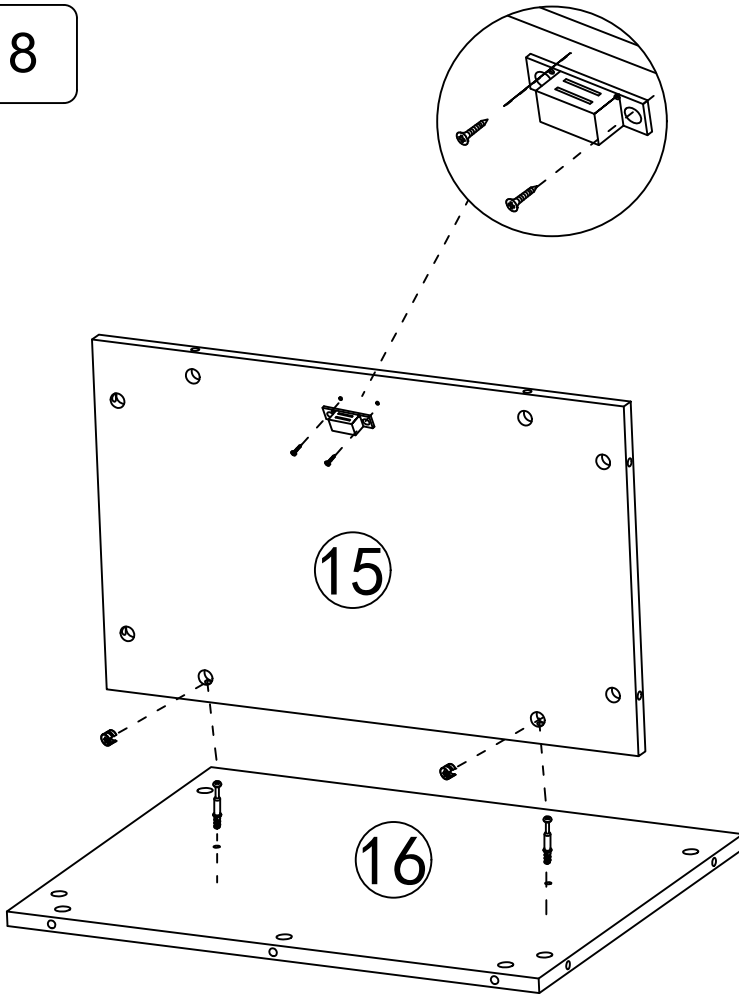


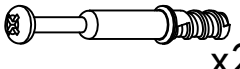

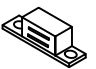

2

3

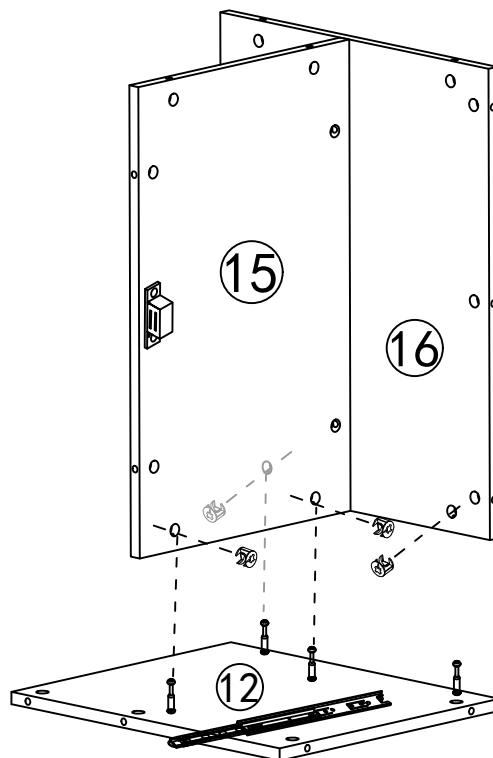



# Step 18




- ①  x2
- ②  x2
- ⑩  x1
-  x2

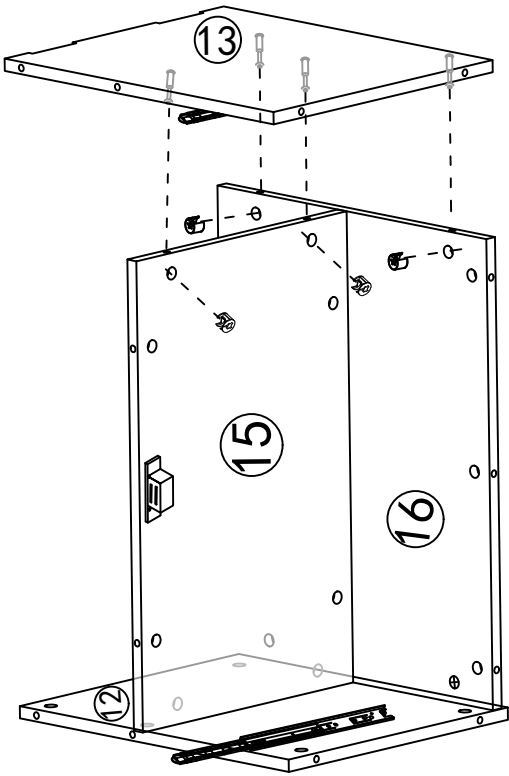
# Step 19



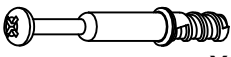

- ②  x4

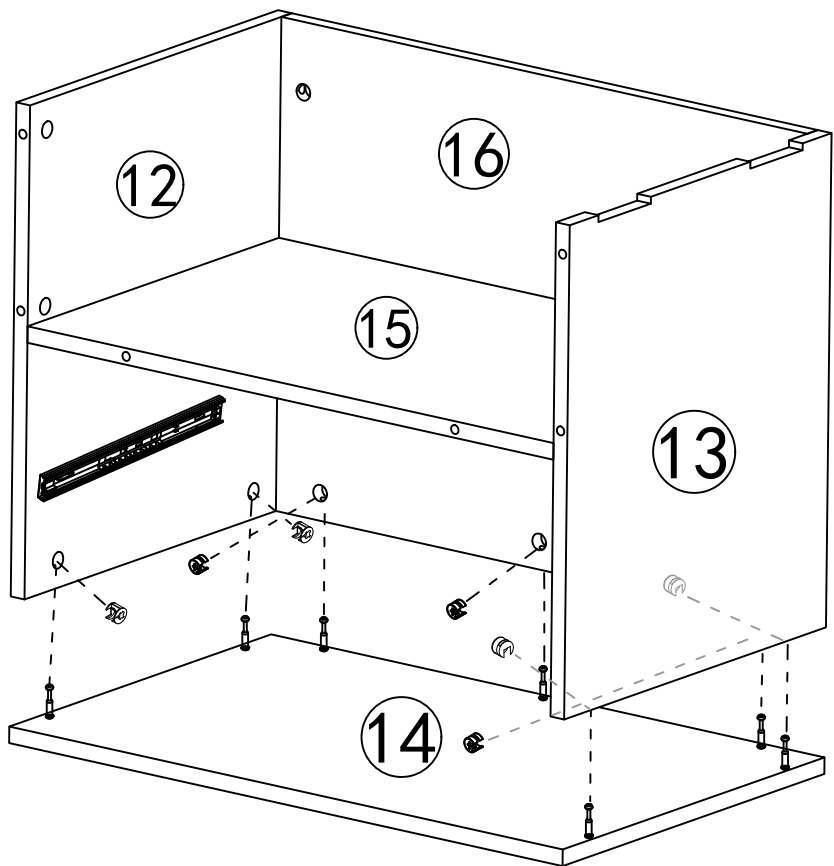
Step 20

②  x4

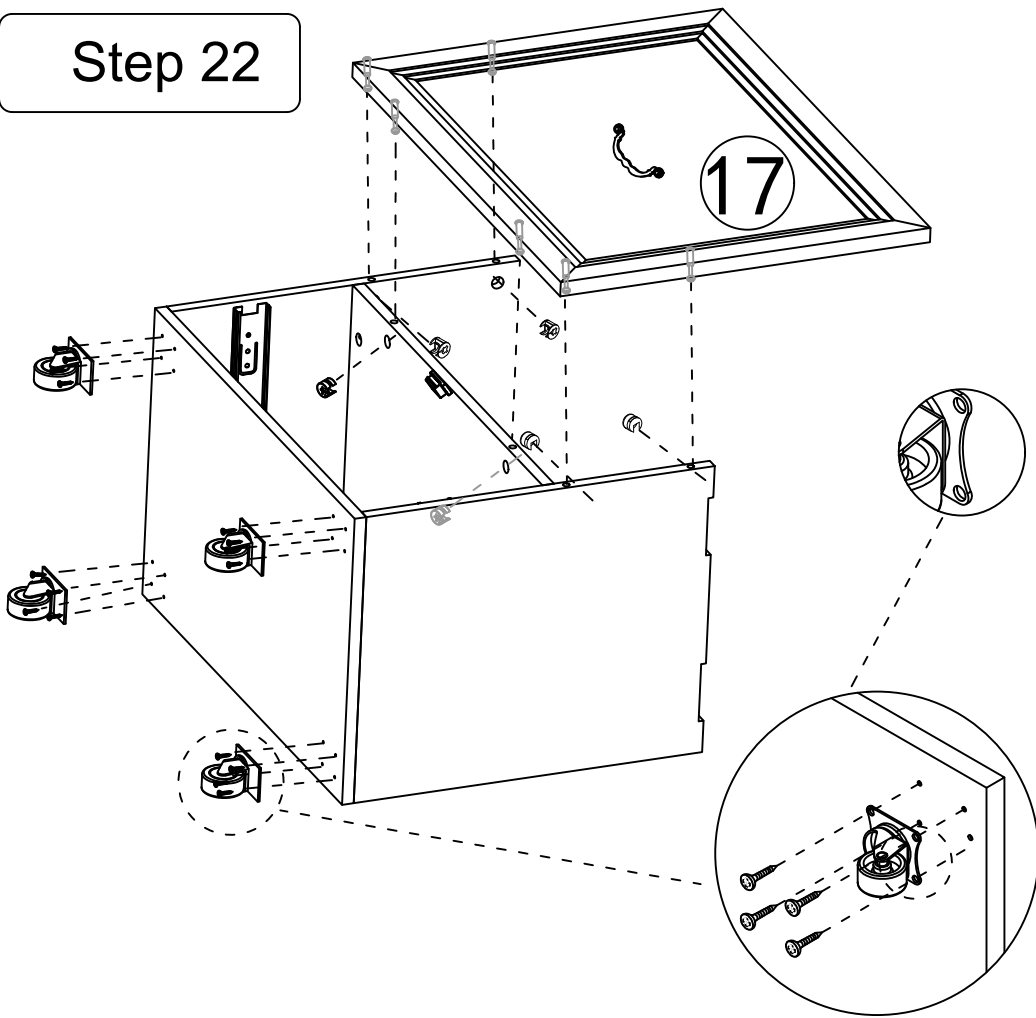


Step 21

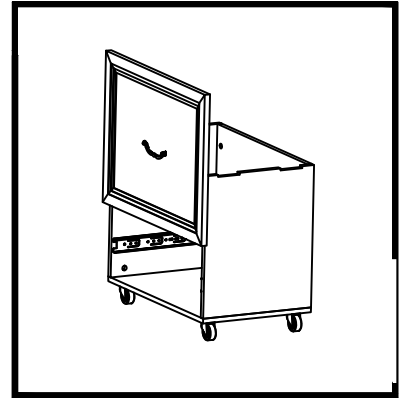
①  x7  
②  x7



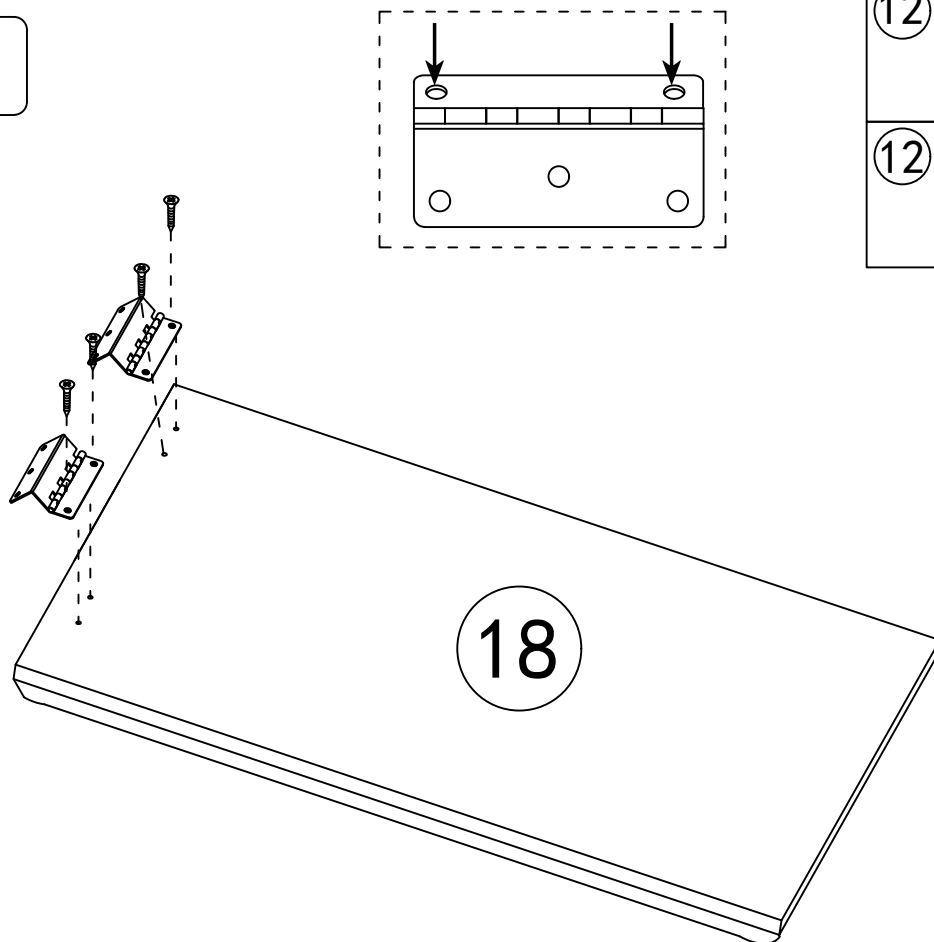
# Step 22



- 7 x4 x16
- 2 x6

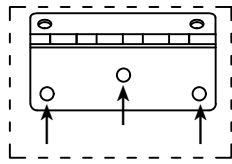


# Step 23

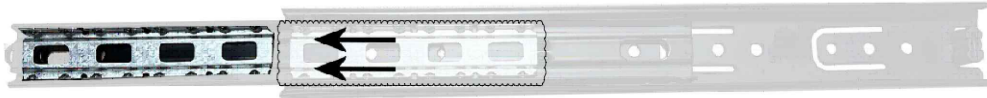
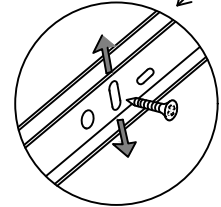
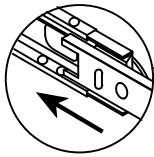
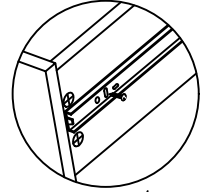
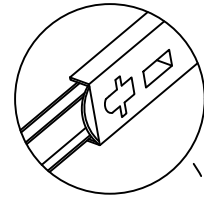
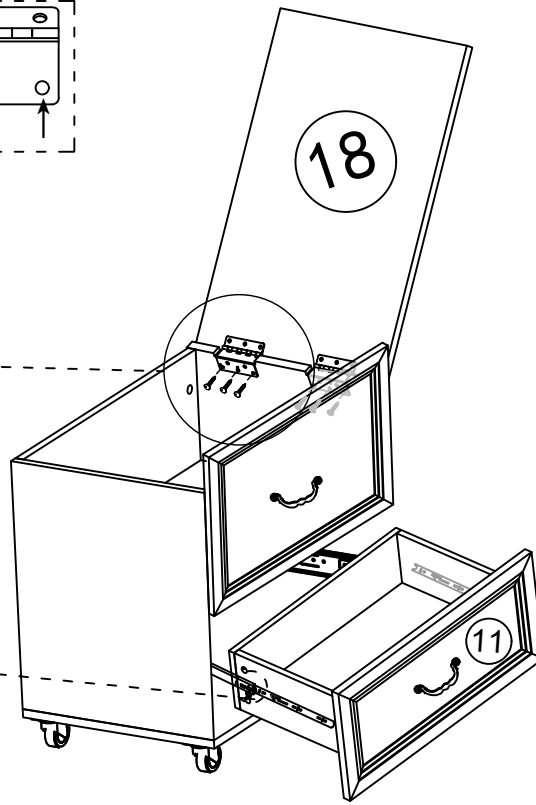
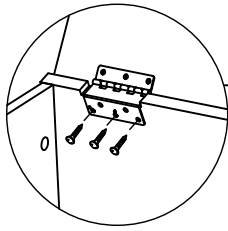


- 12 x2
- 12 x4

## Step 24



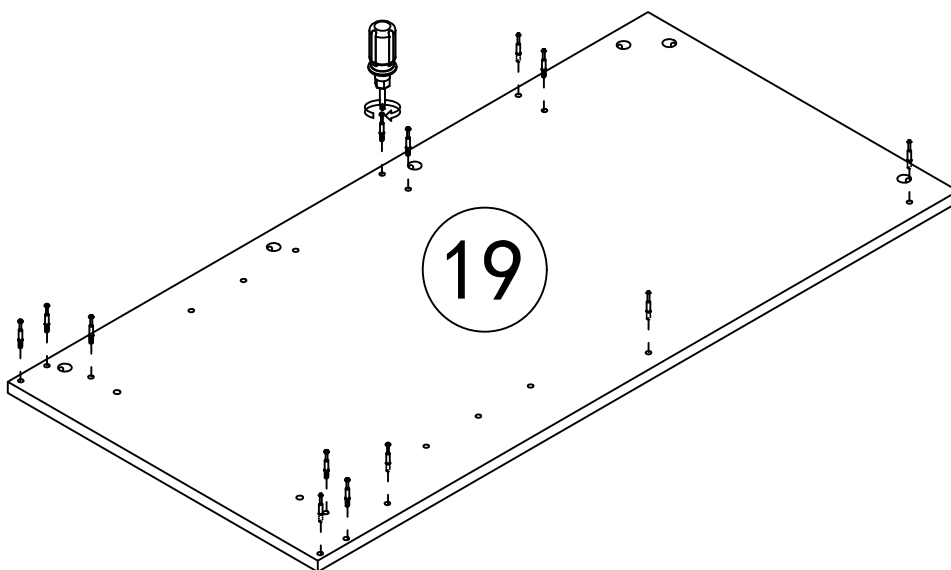
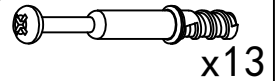
12



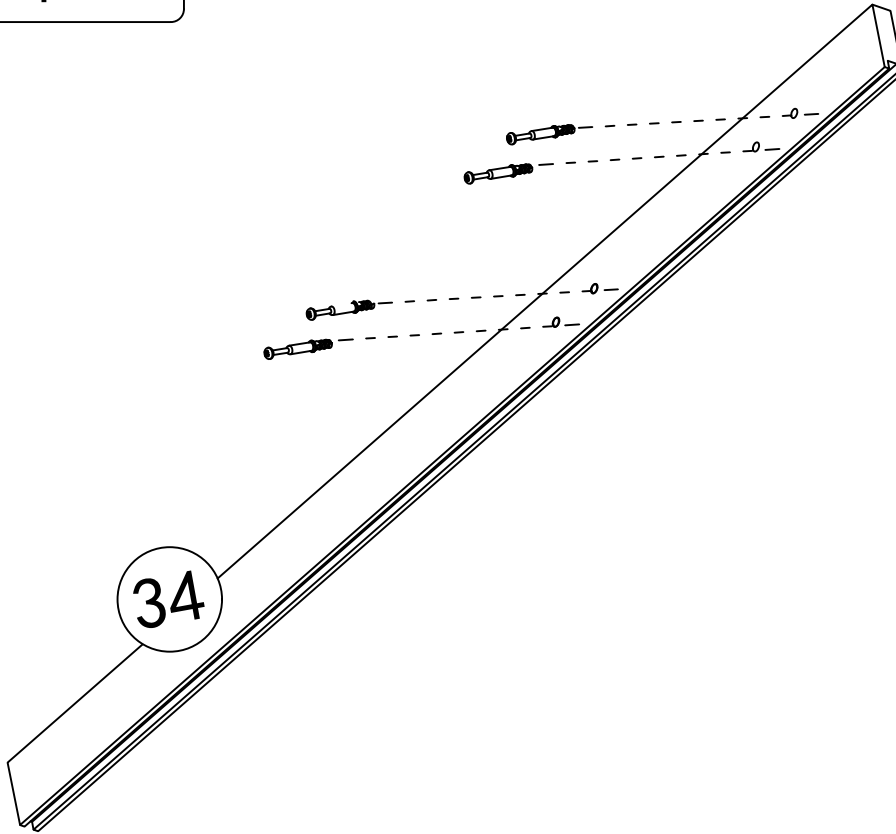
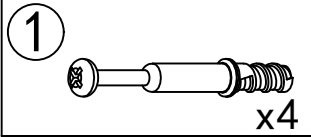
As shown, When installing the drawer, pull the guide rail out first, Slide beads are also pulled out.

## Step 25

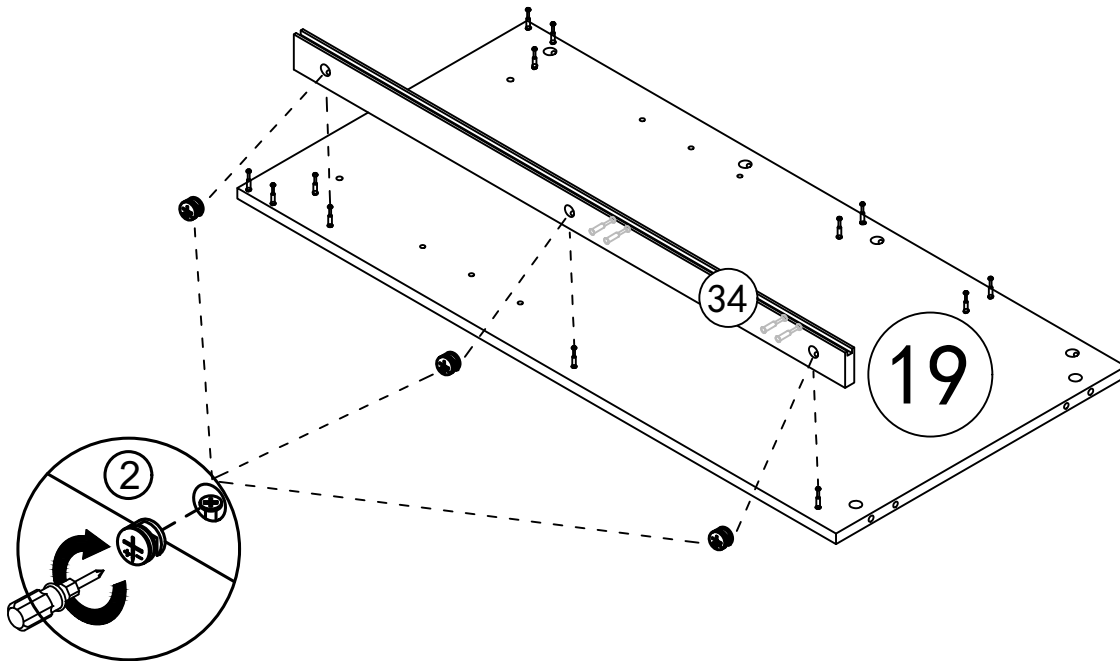
1




Step 26

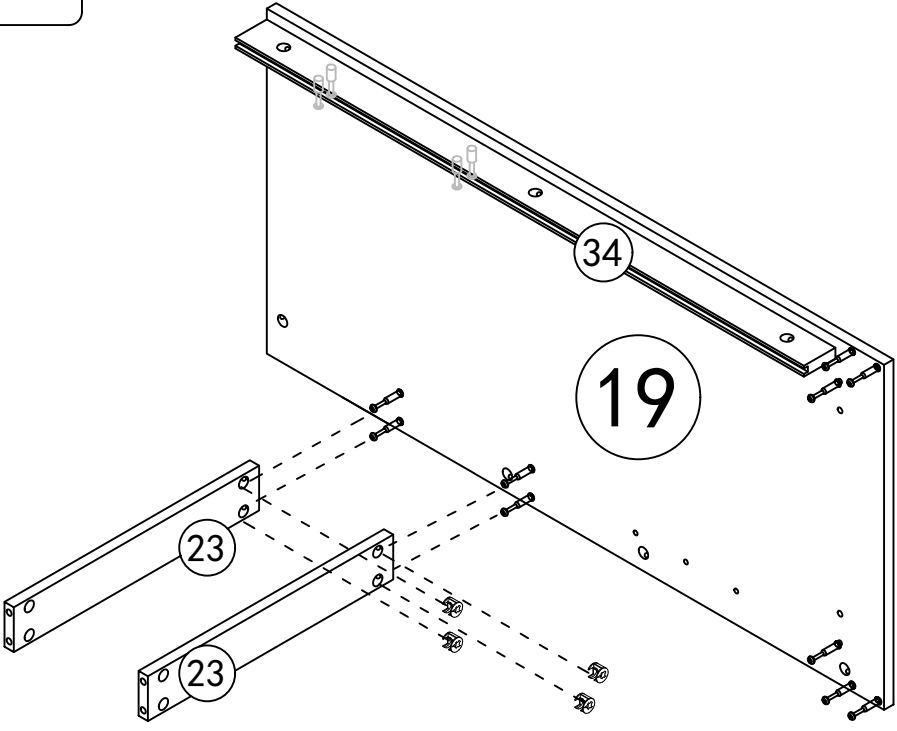


Step 27




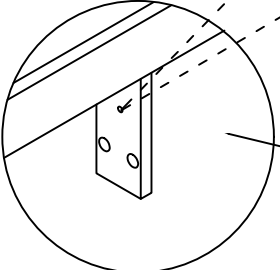
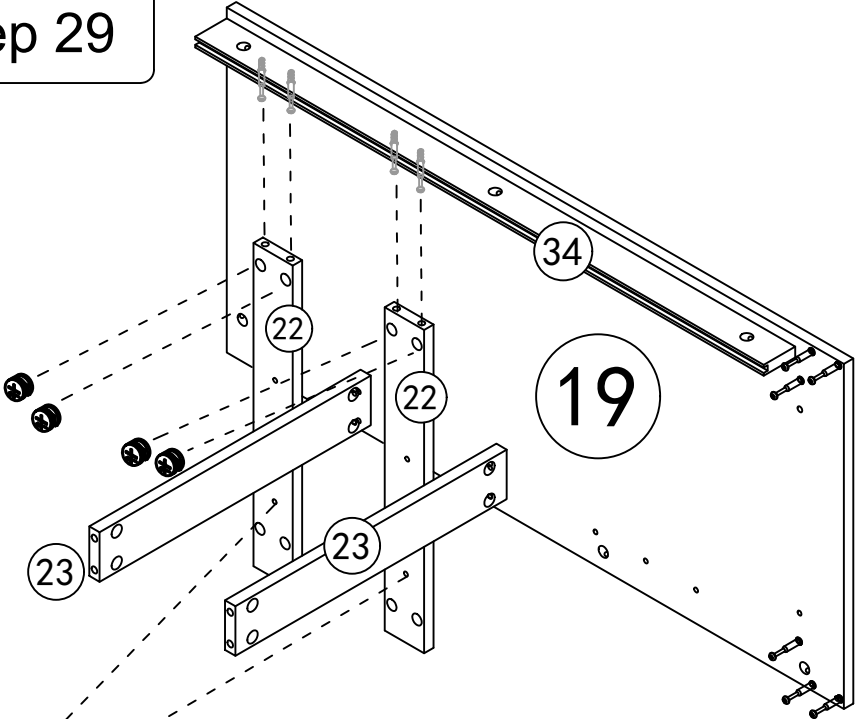
Step 28

②  x4



Step 29

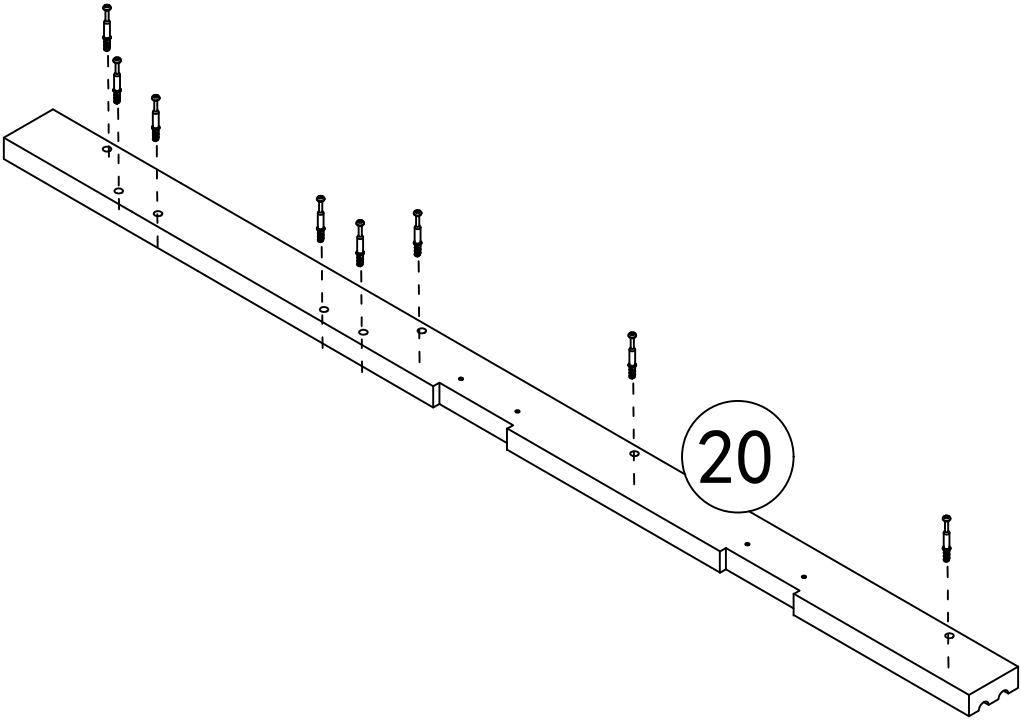
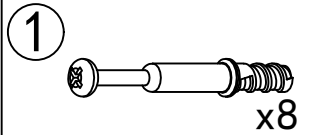
②  x4



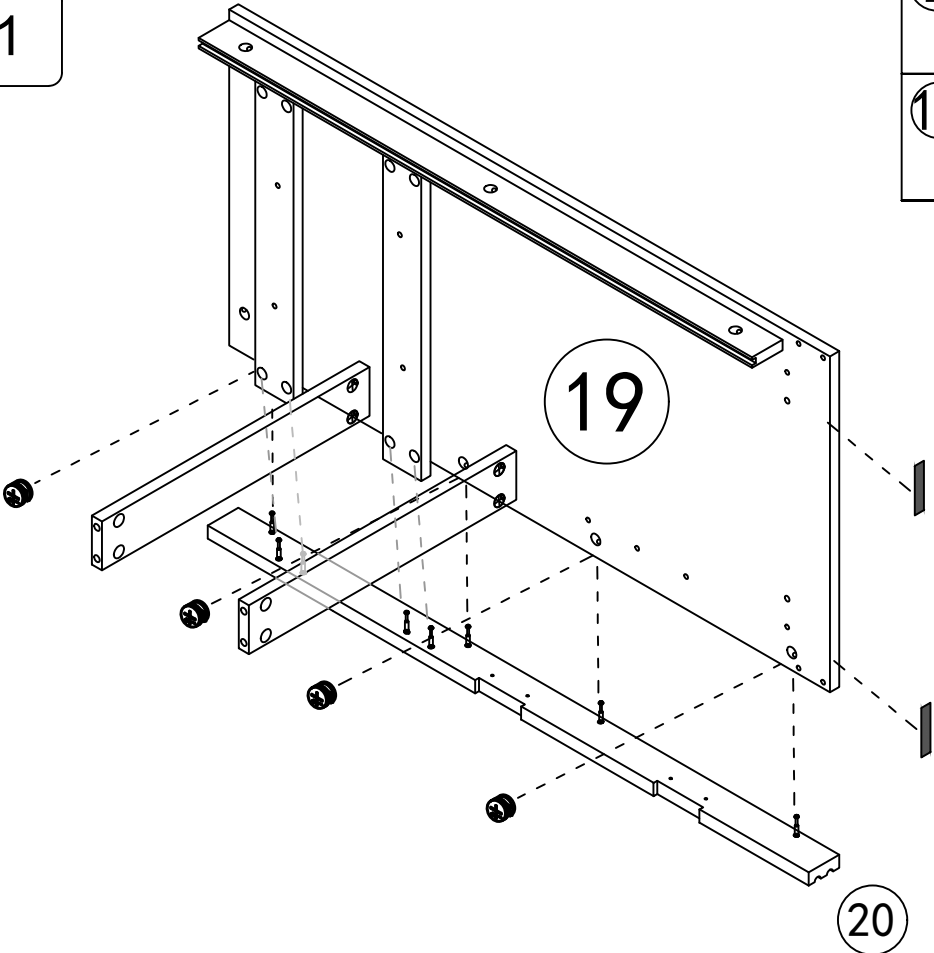
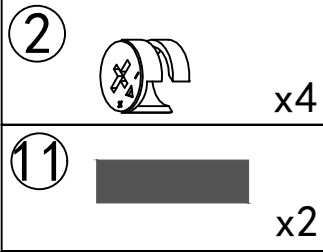
Pay attention to the orientation of the hole position

23

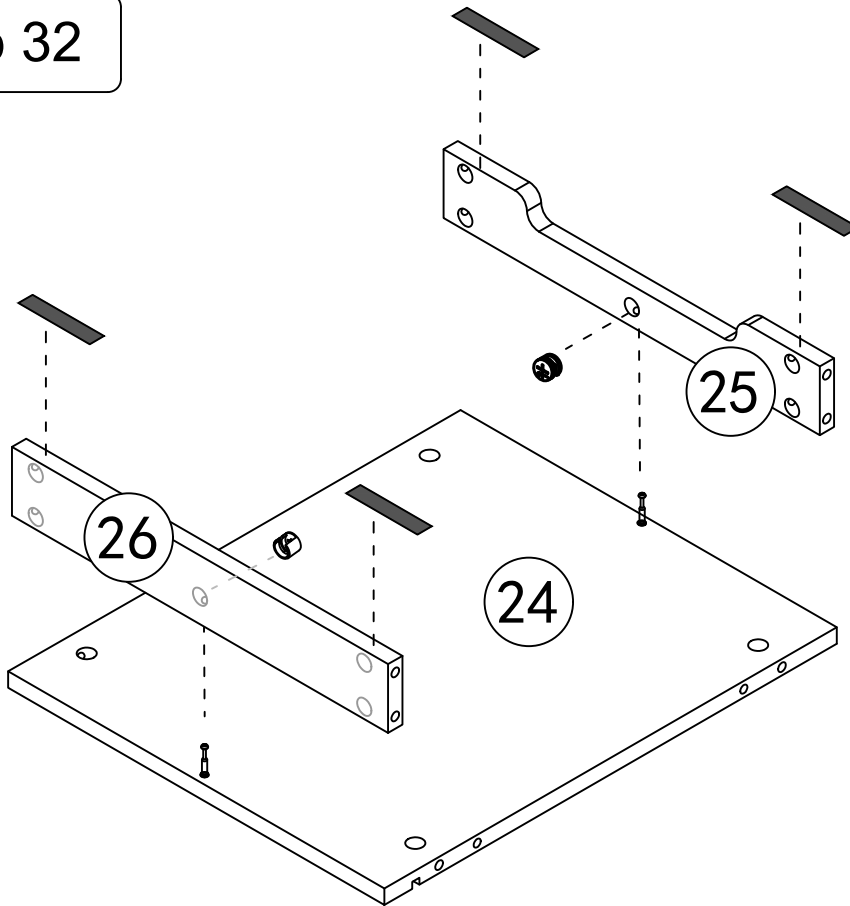
Step 30

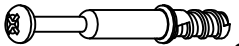




Step 31

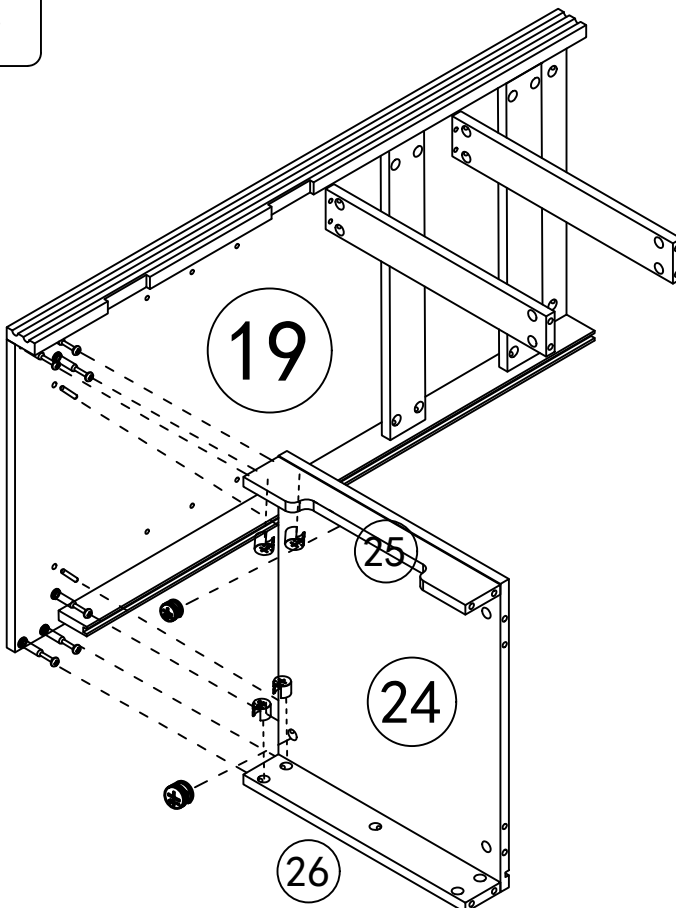



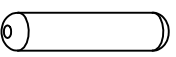
# Step 32

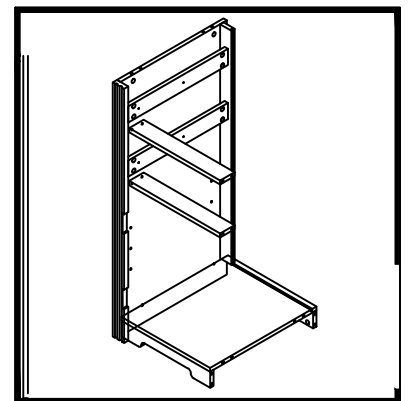


- ①  x2
- ②  x2
- ⑪  x4

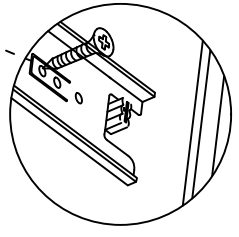
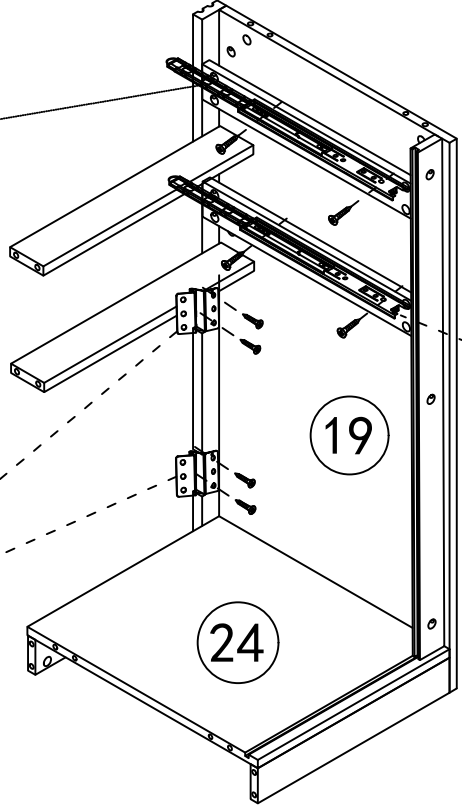
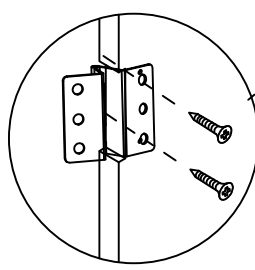
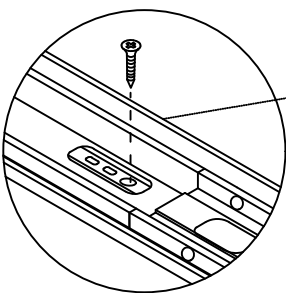
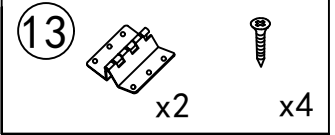
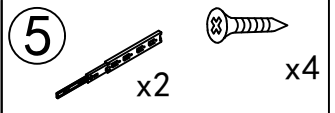
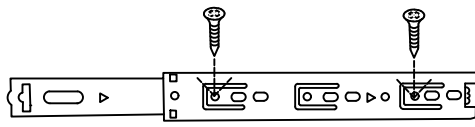
# Step 33



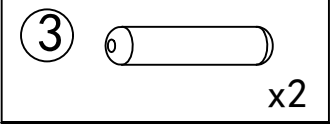
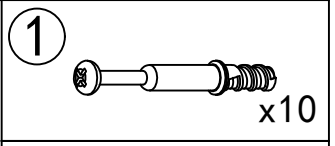
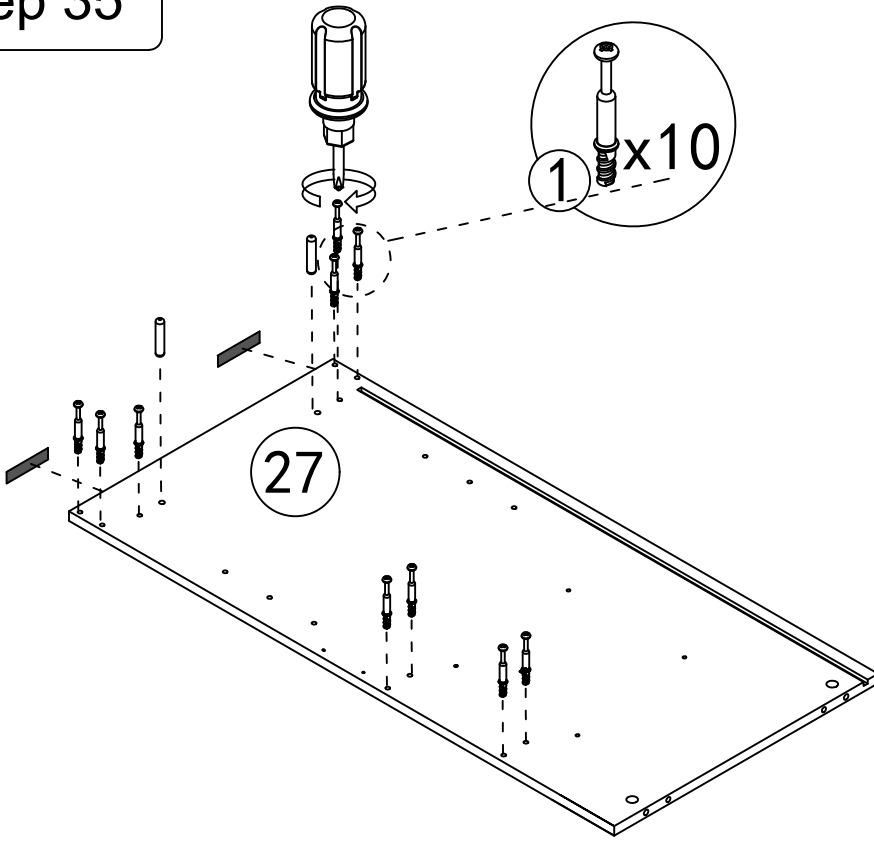
- ②  x6
- ③  x2



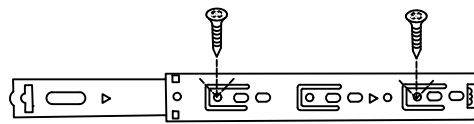
# Step 34



# Step 35

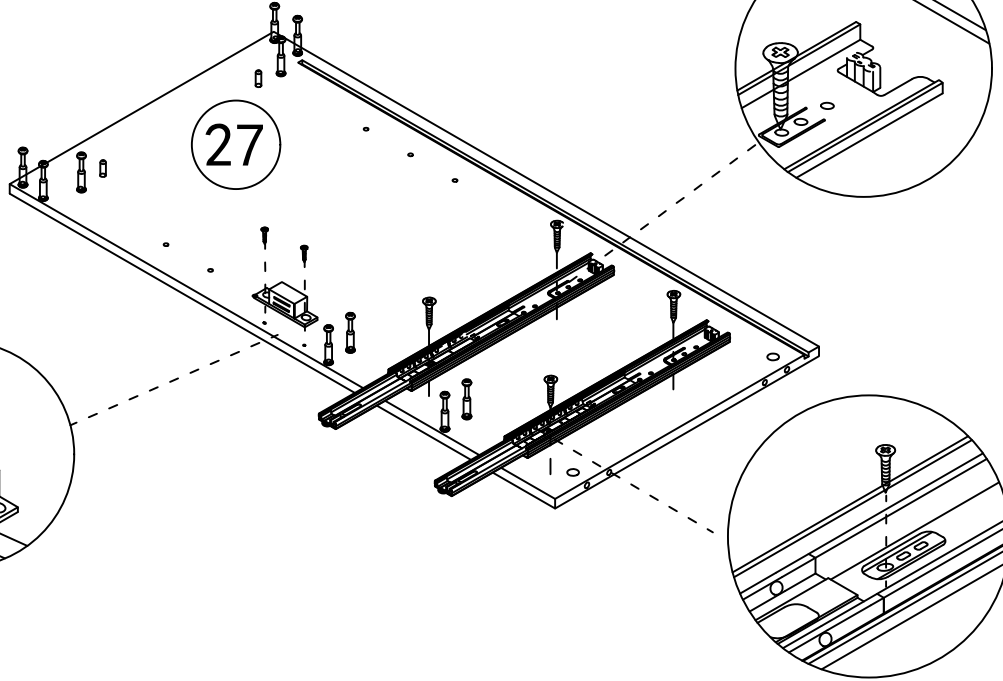
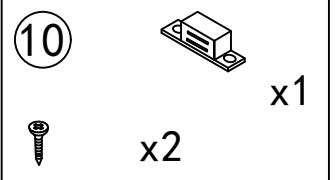
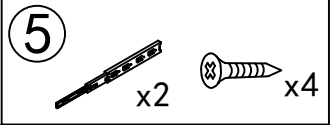


# Step 36



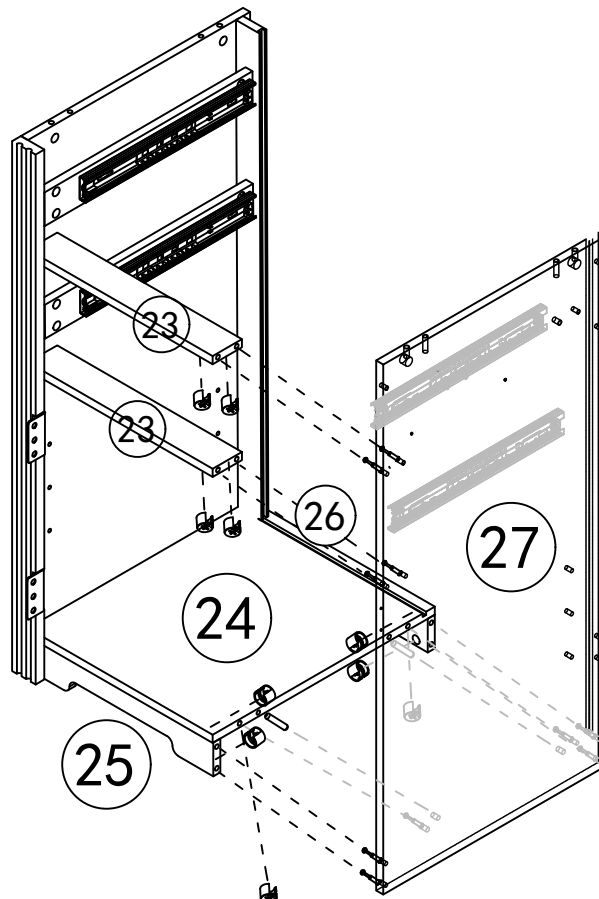
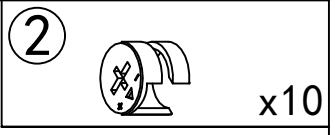
2

3



27

# Step 37



23

23

26

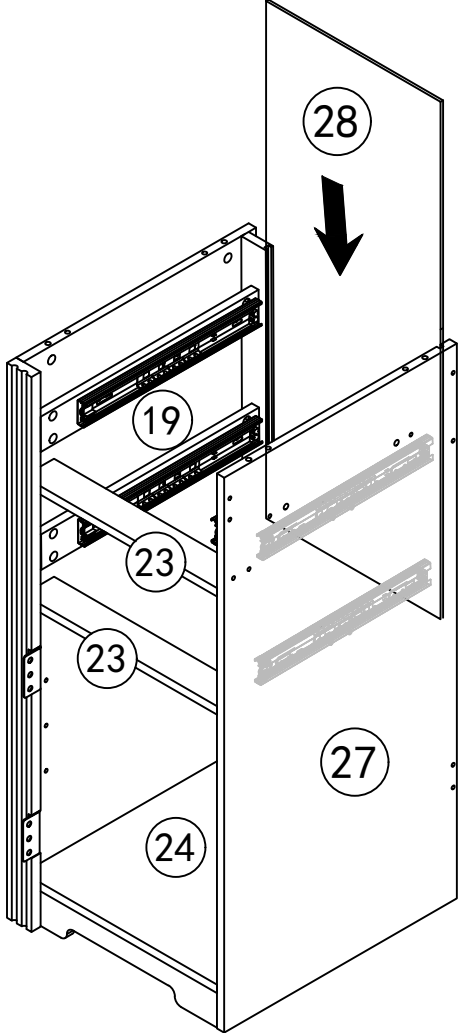
27

24

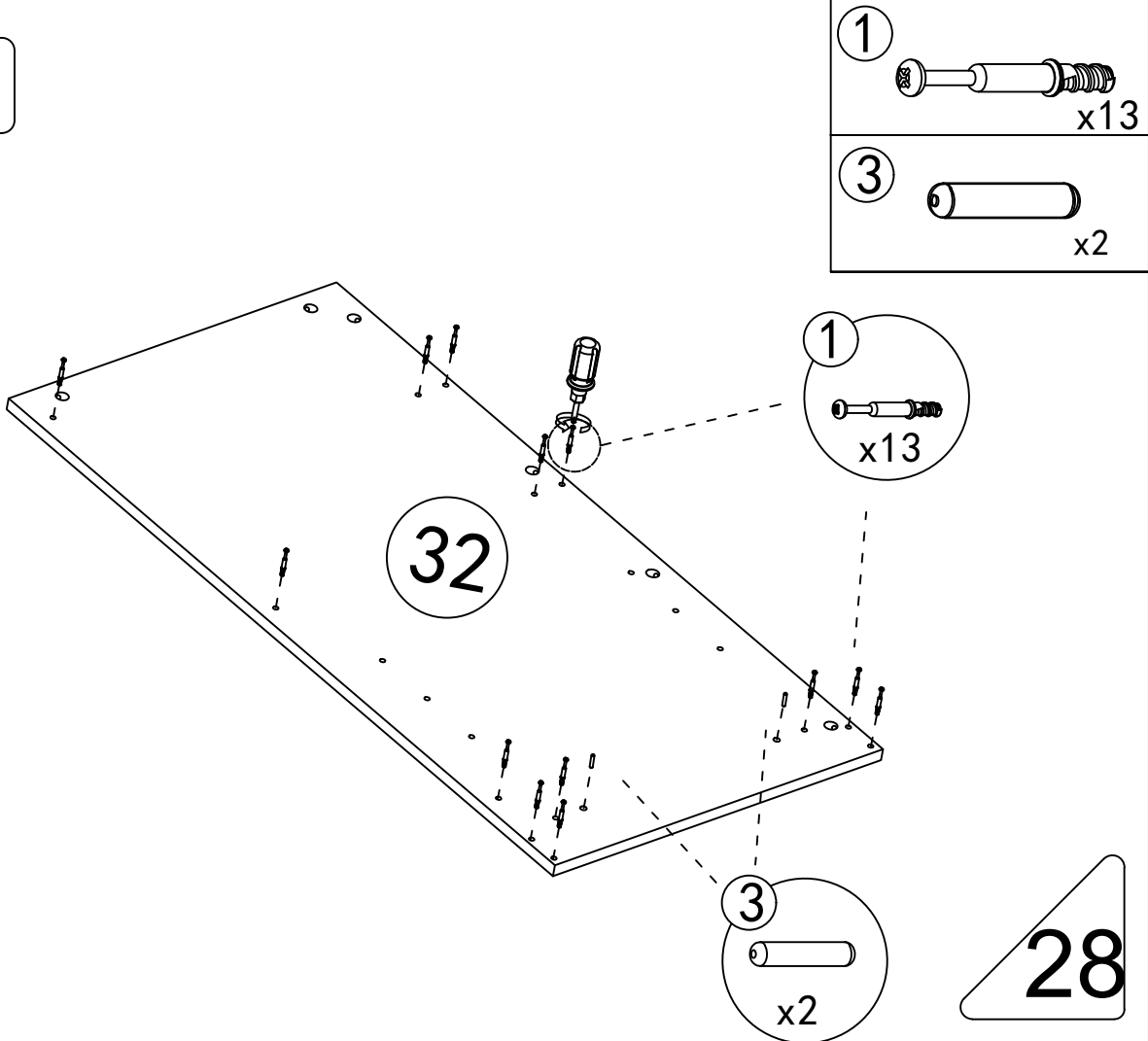
25

27

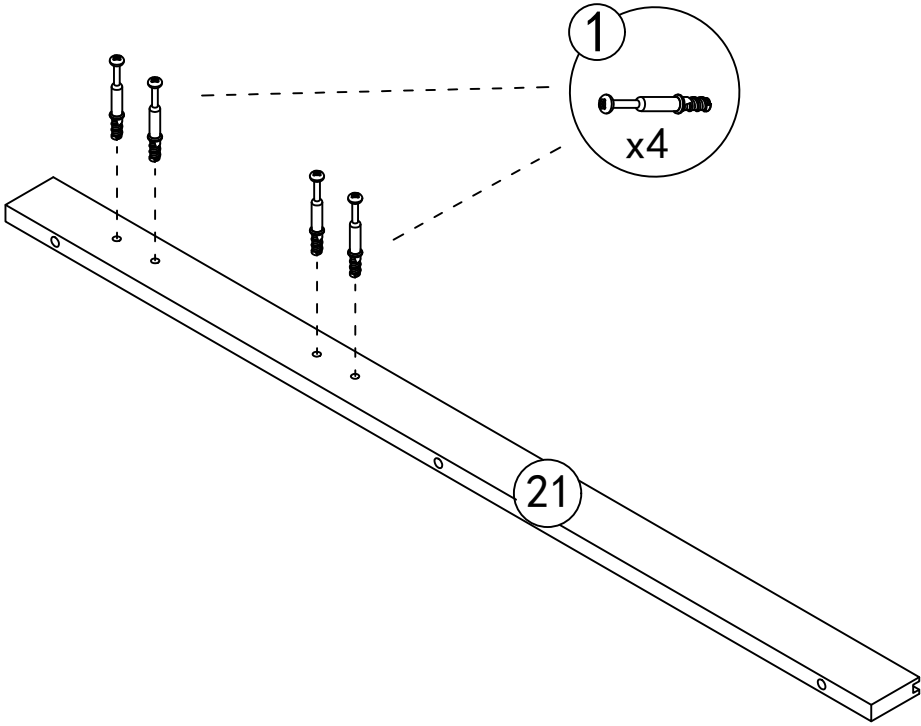
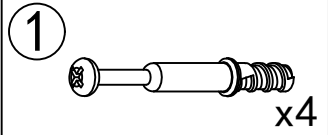
Step 38



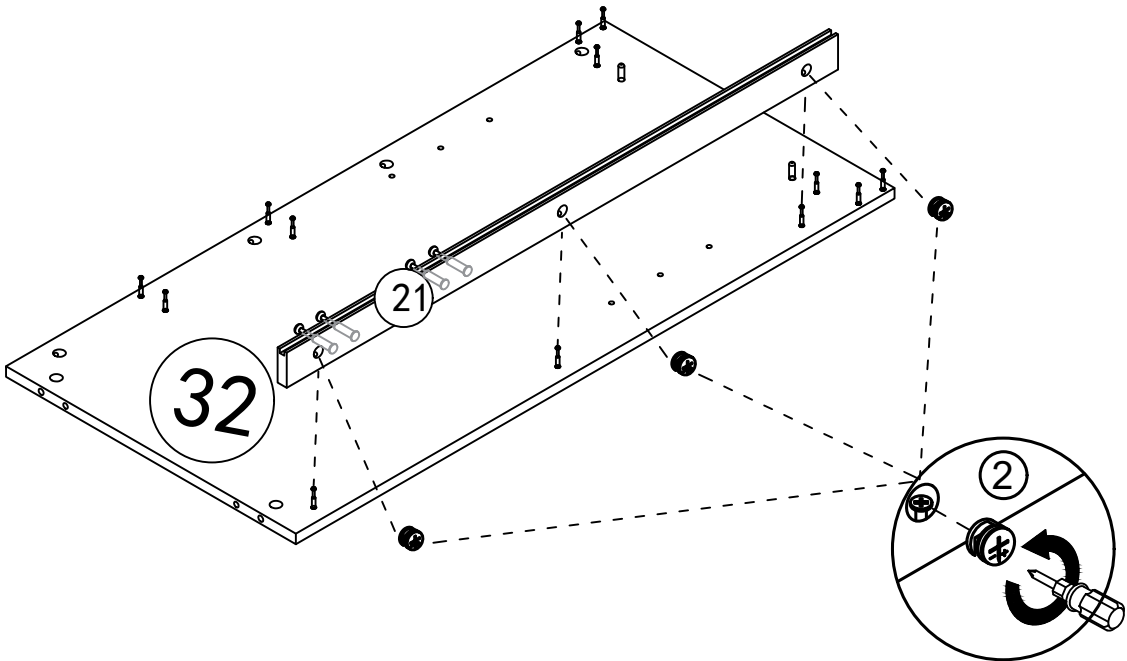
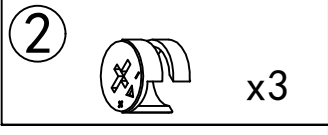
Step 39




Step40

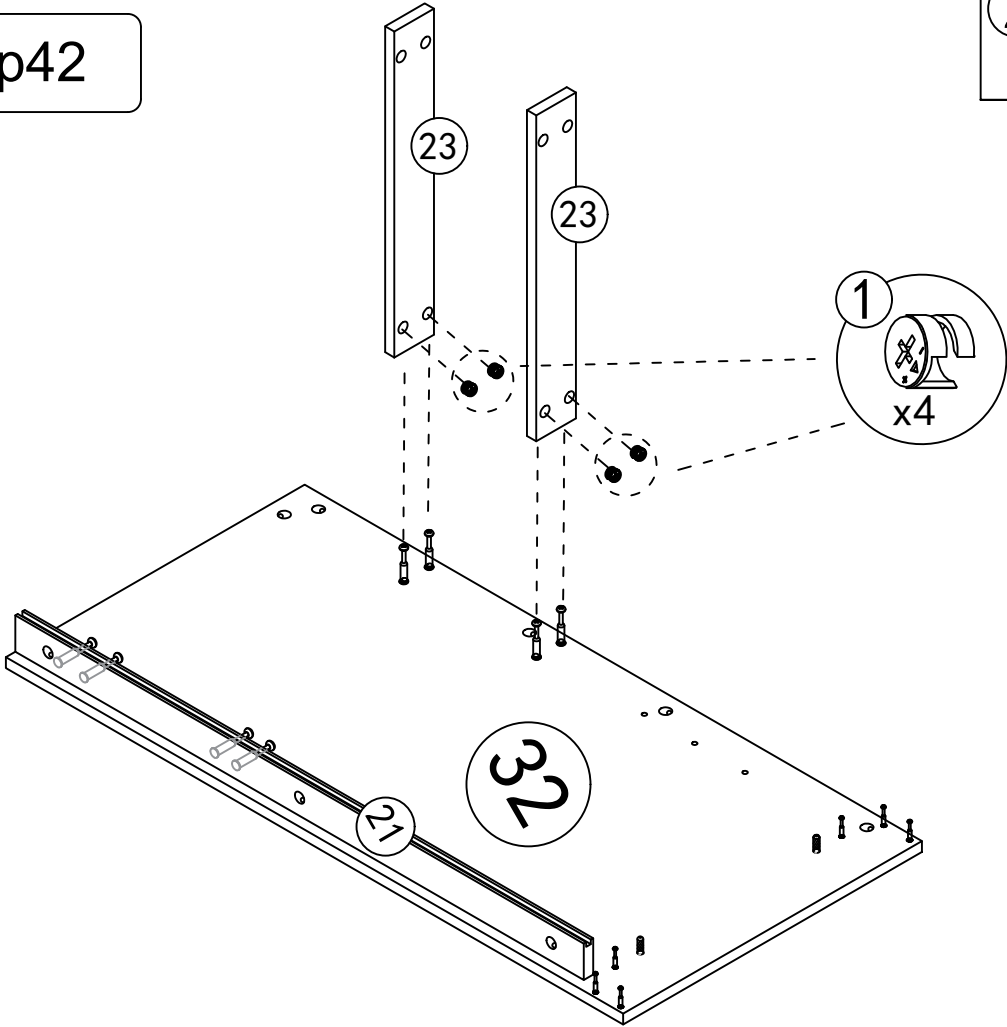


Step 41





Step42

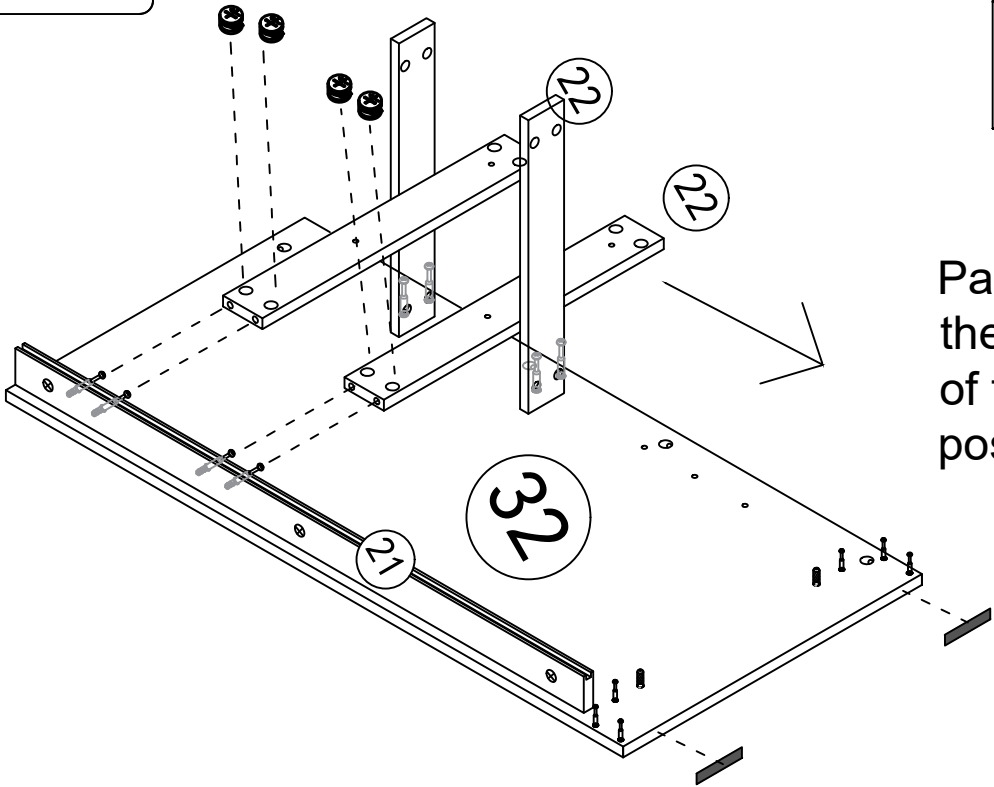
②  x4



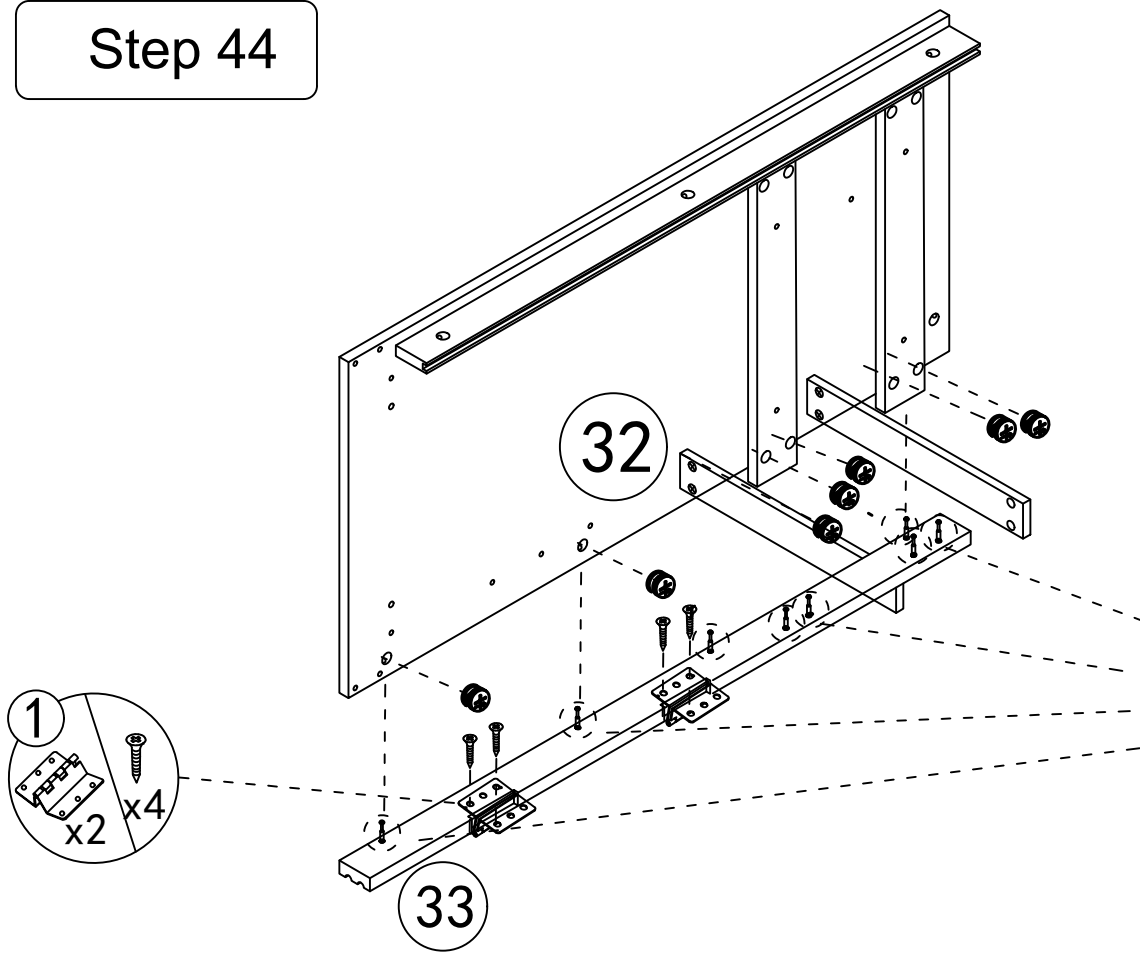
Step 43

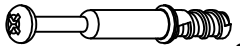

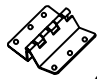

②  x4

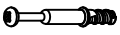
⑪  x2



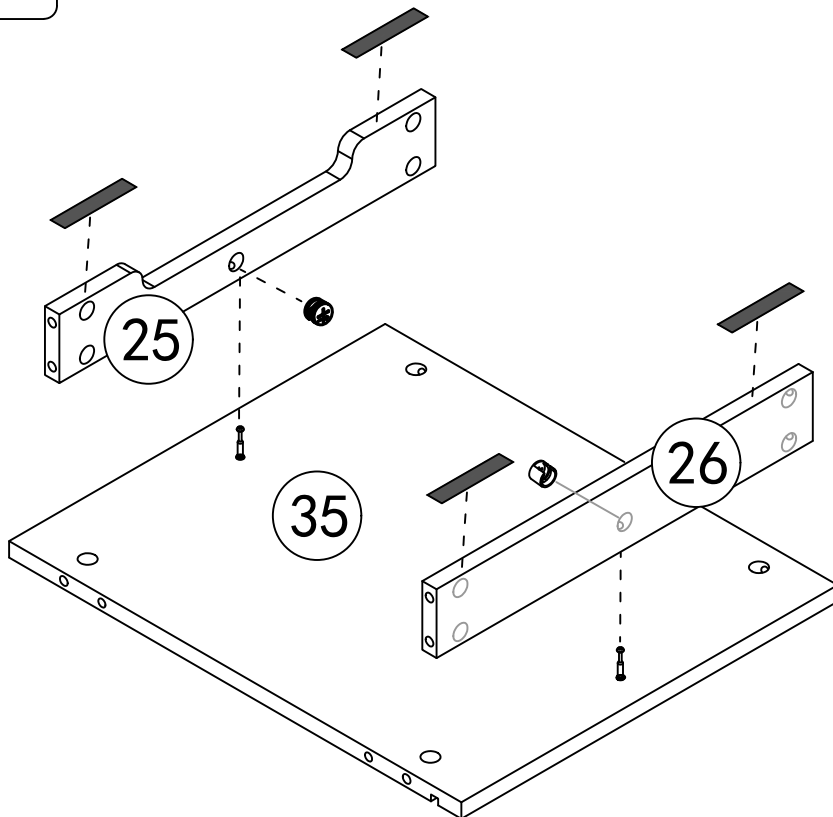
# Step 44

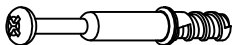




- ①  x8
- ②  x8
- ⑬  x2  x4

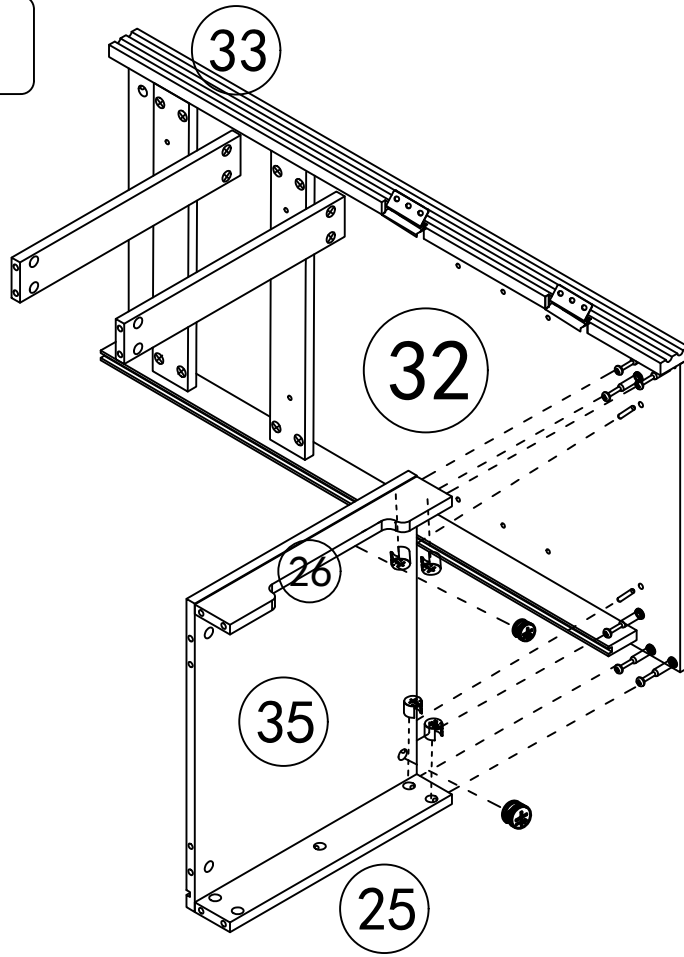
- ①  x8

# Step 45



- ①  x2
- ②  x2
- ⑪  x4

# Step 46

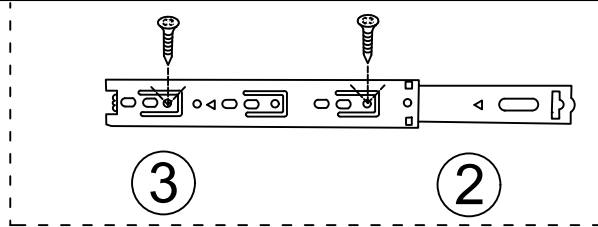


2

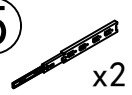


x6

# Step 47

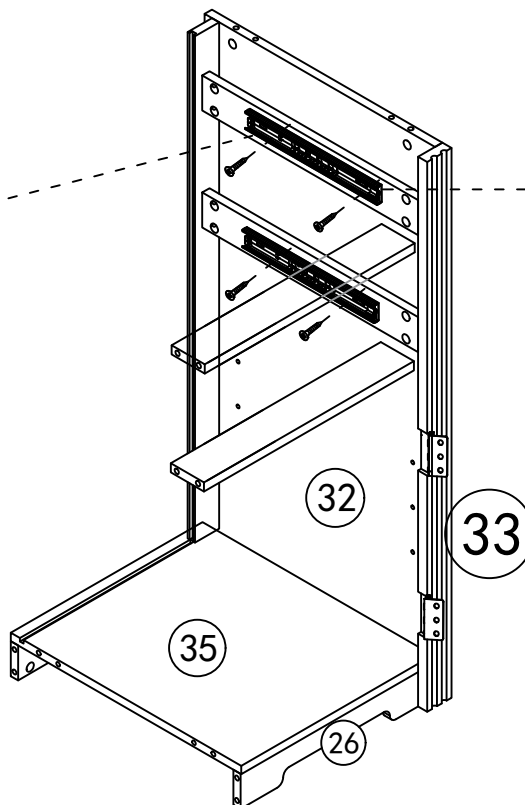
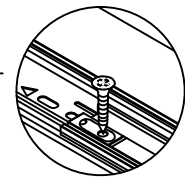
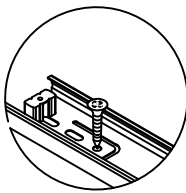


5



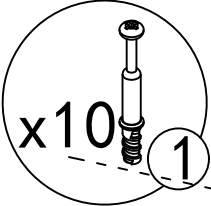
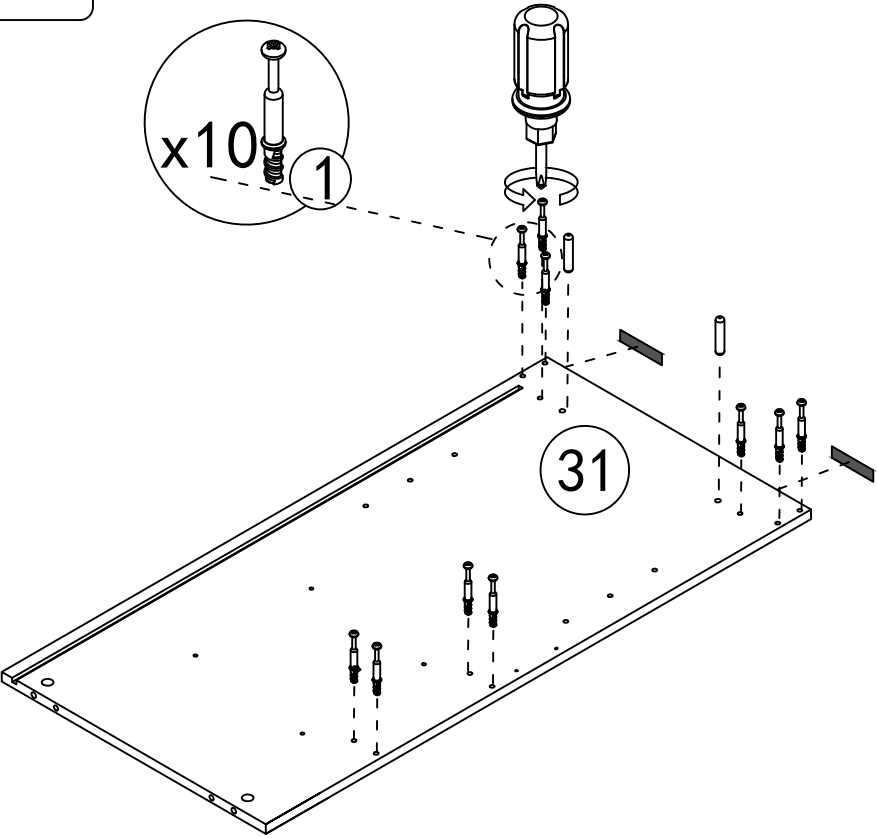
x2

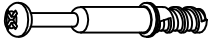
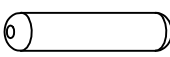

x4



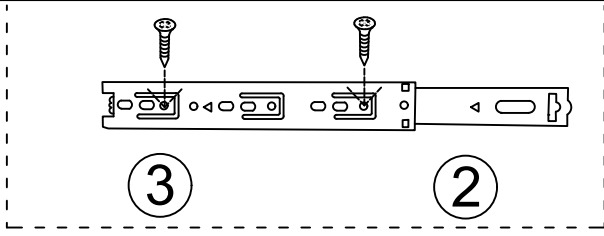
32



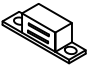

Step 48

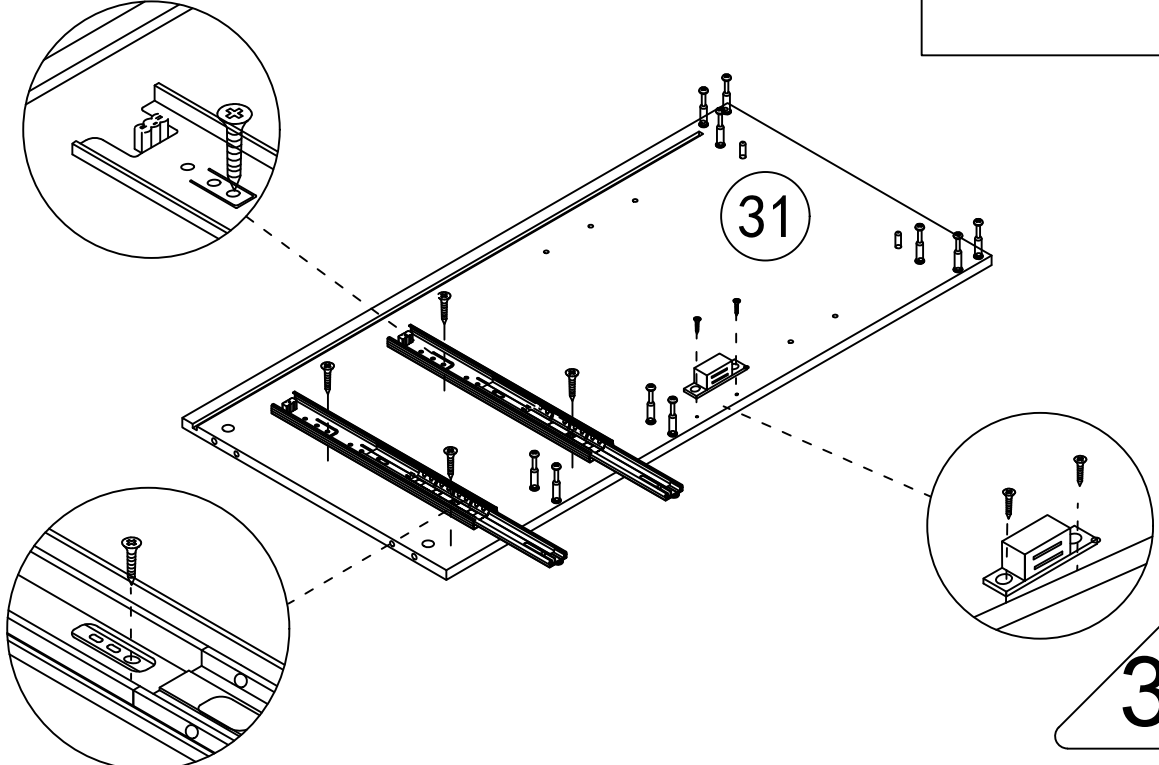


- ①  x10
- ③  x2
- ⑪  x2

Step 49



- ⑤  x2  x4
- ⑩  x1
-  x2

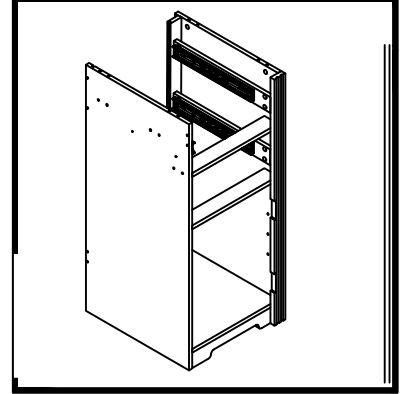
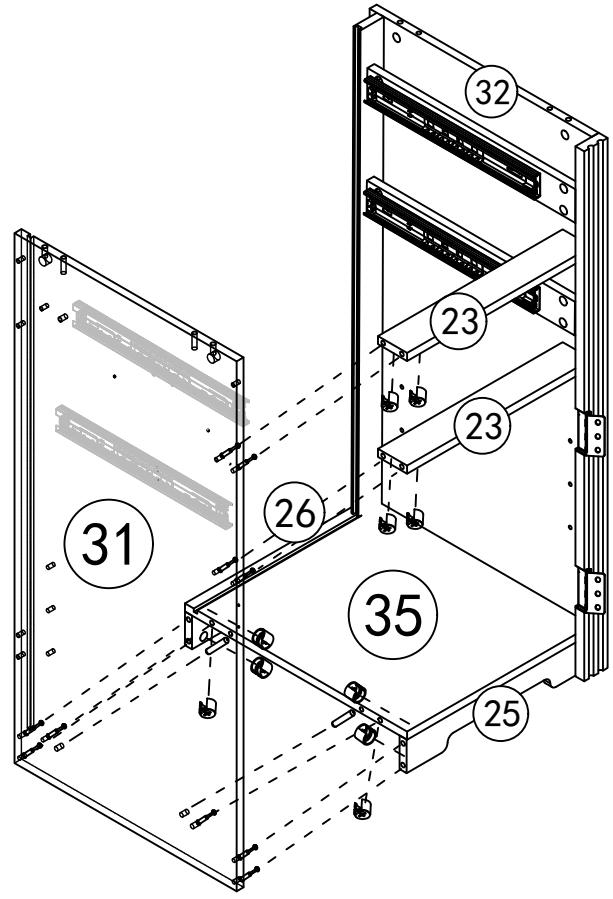


# Step 50

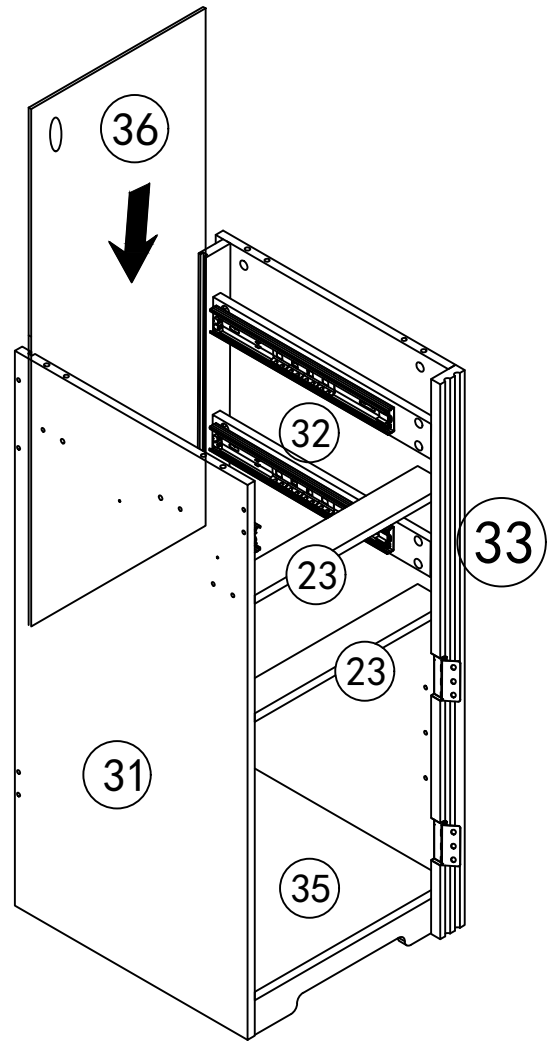
2



x10

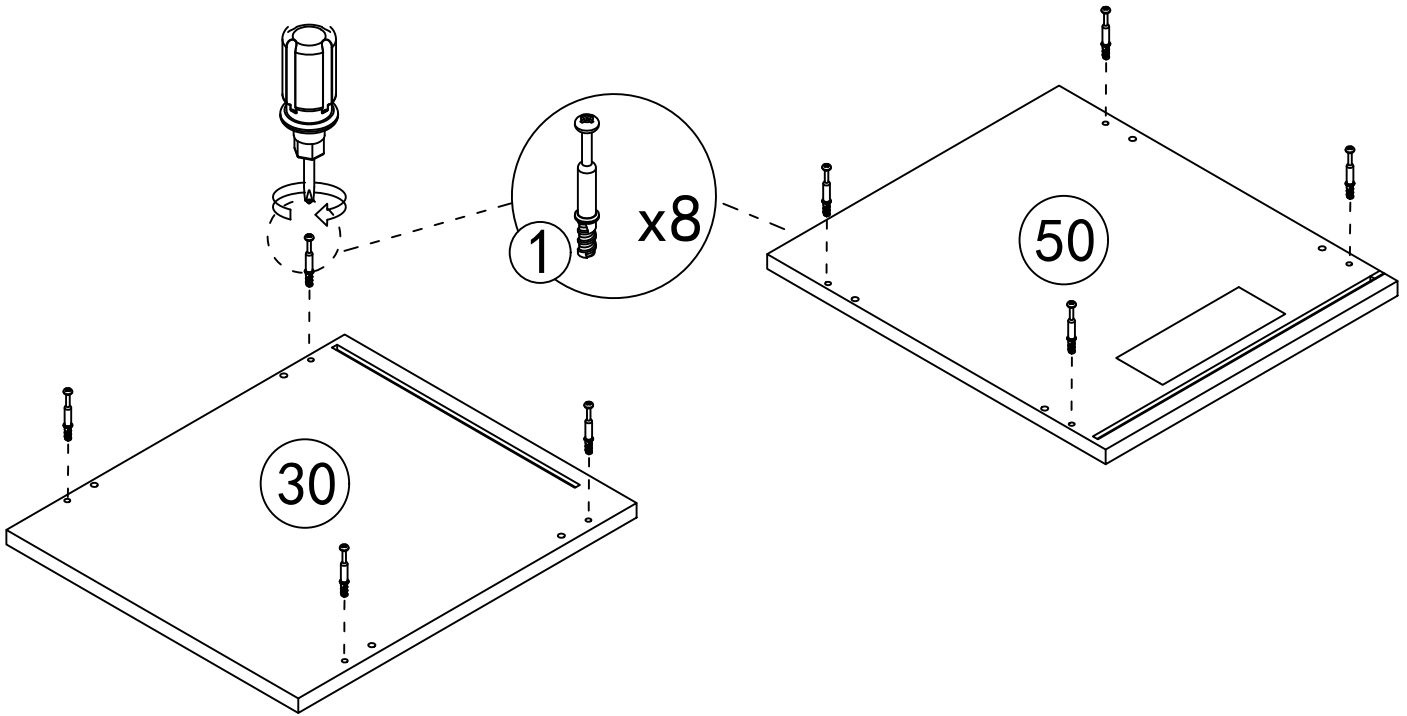
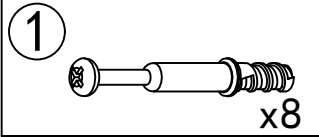


# Step 51

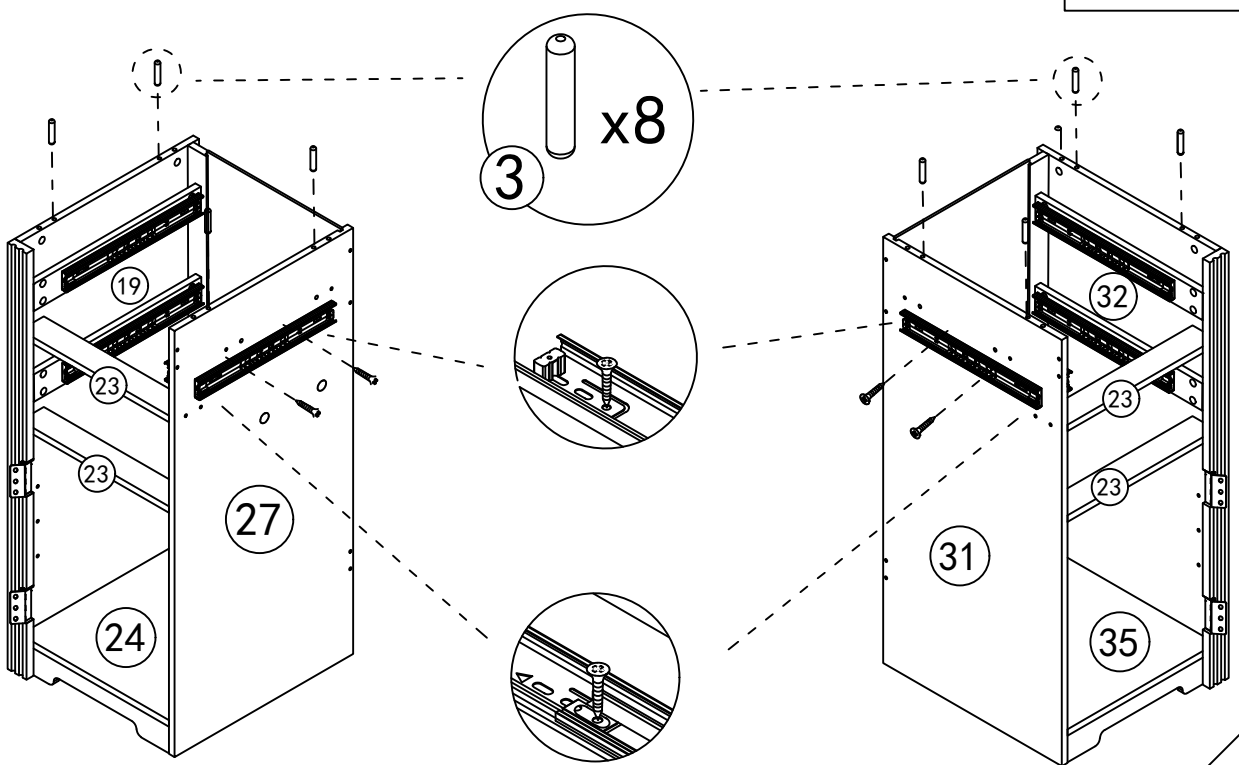
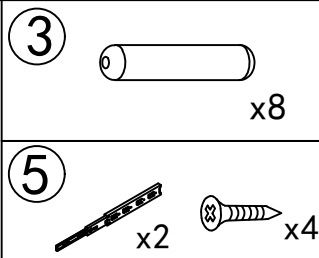
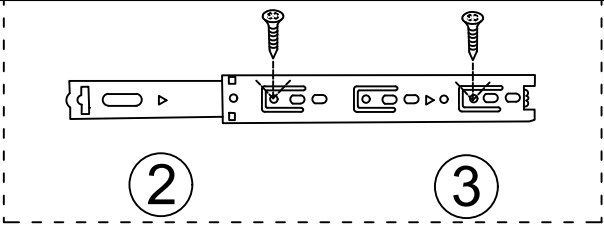


34

# Step 52

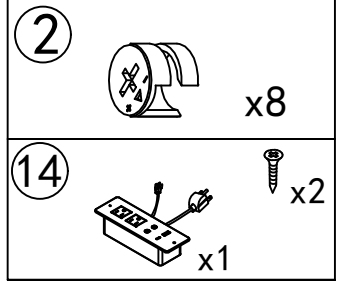
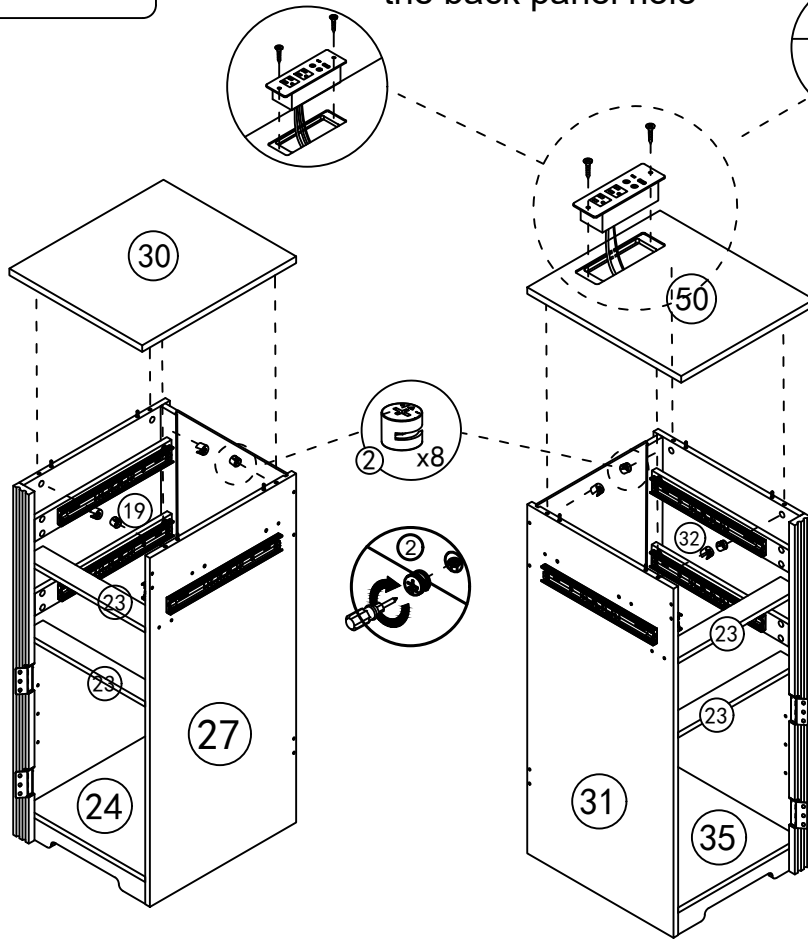


# Step 53



# Step 54

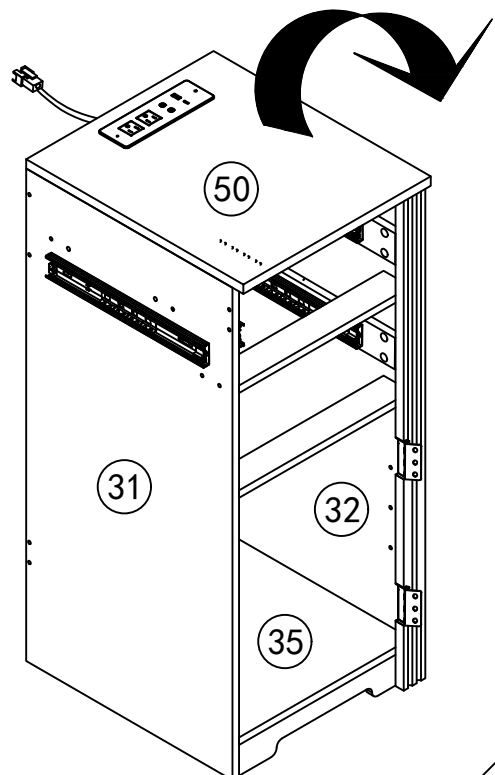
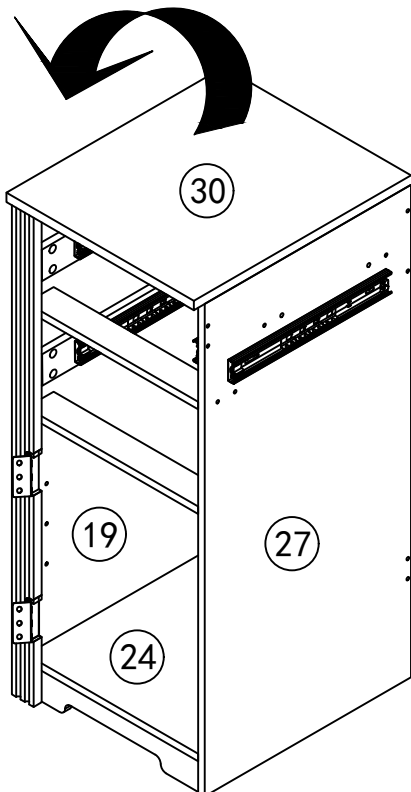
Thread the light wire through the back panel hole



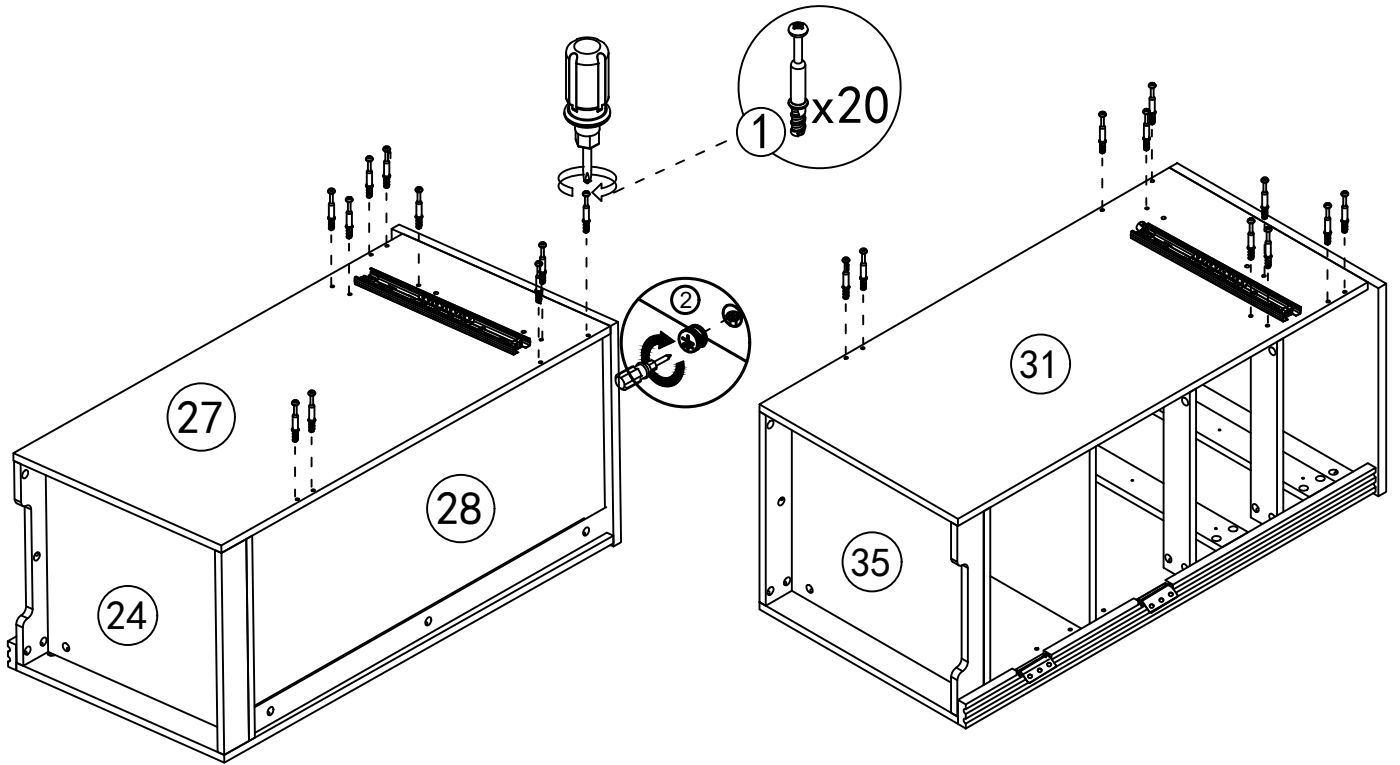
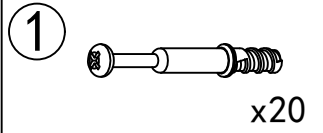
# Step 55

Flip one side over.

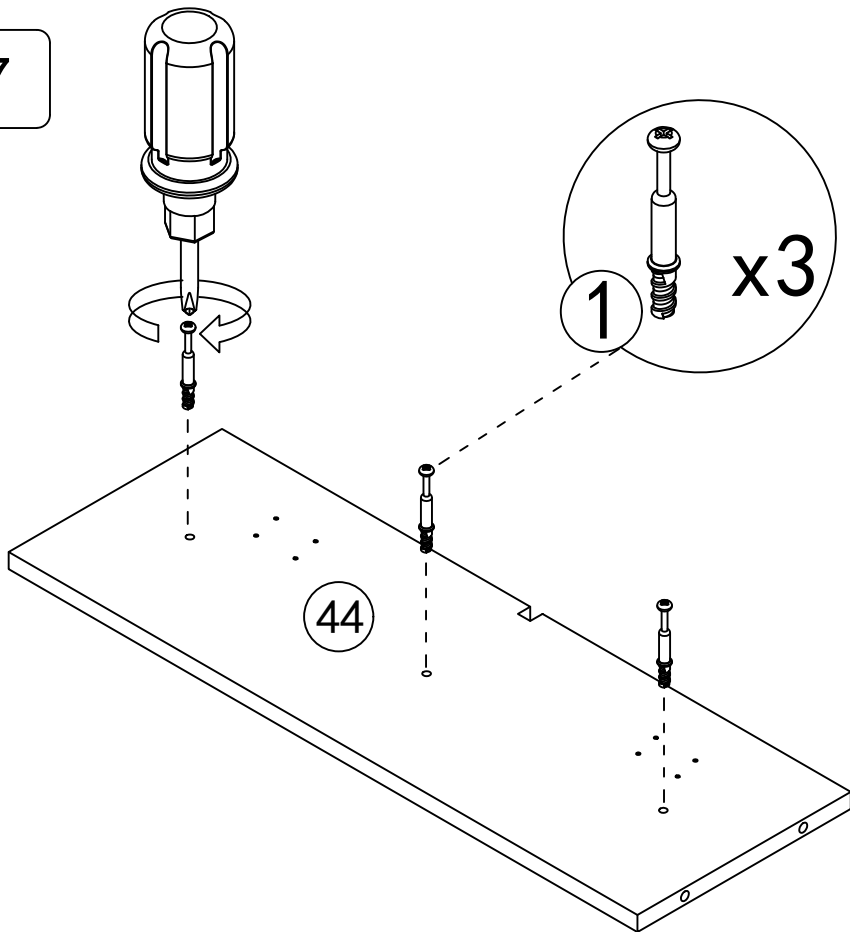
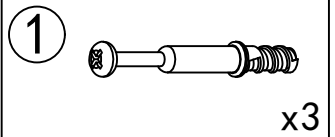
Flip one side over.



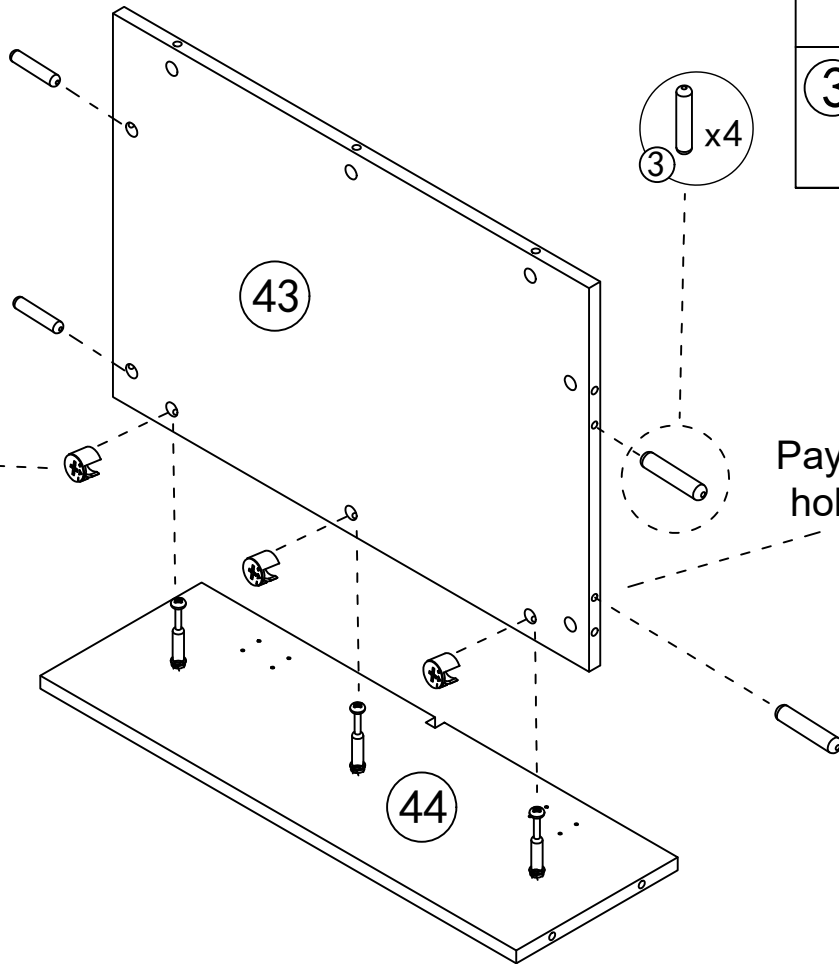
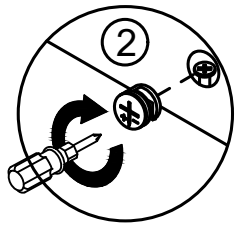
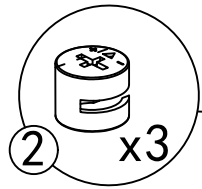
# Step 56



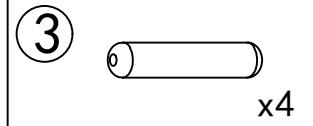
# Step 57



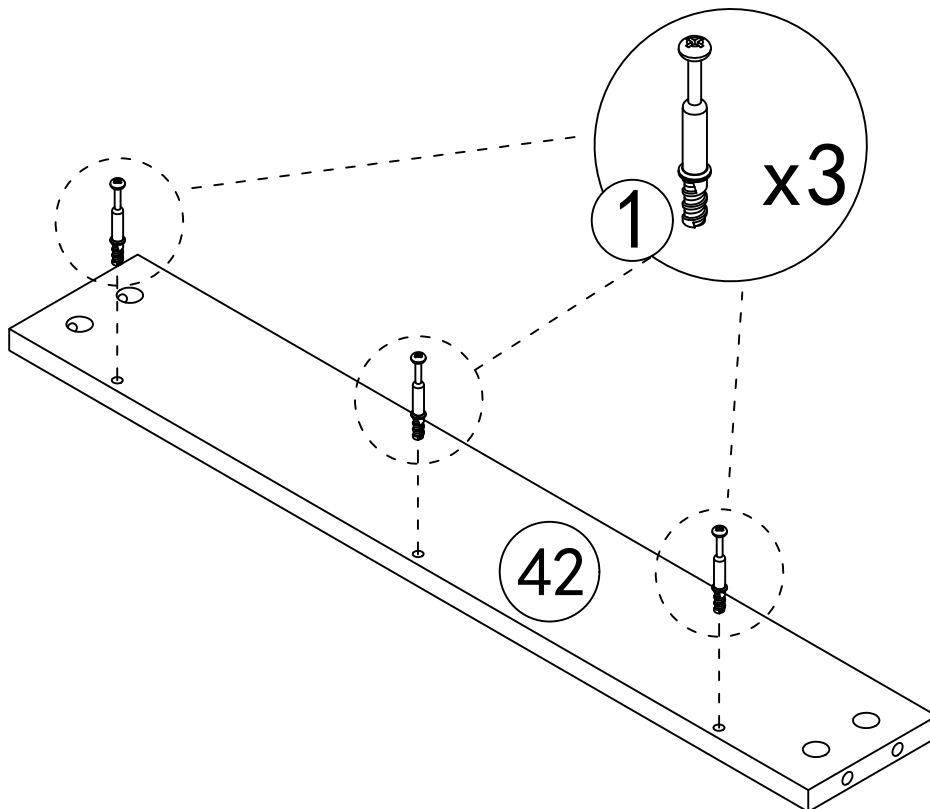
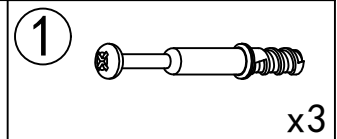
# Step 58



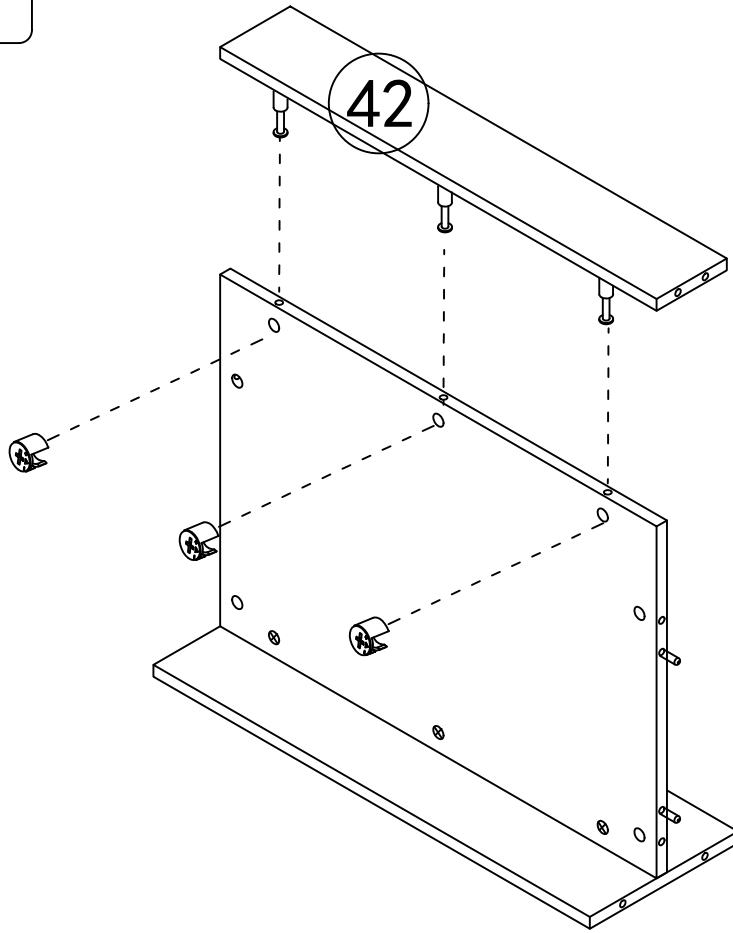
Pay attention to the hole position

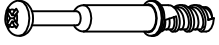



# Step 59

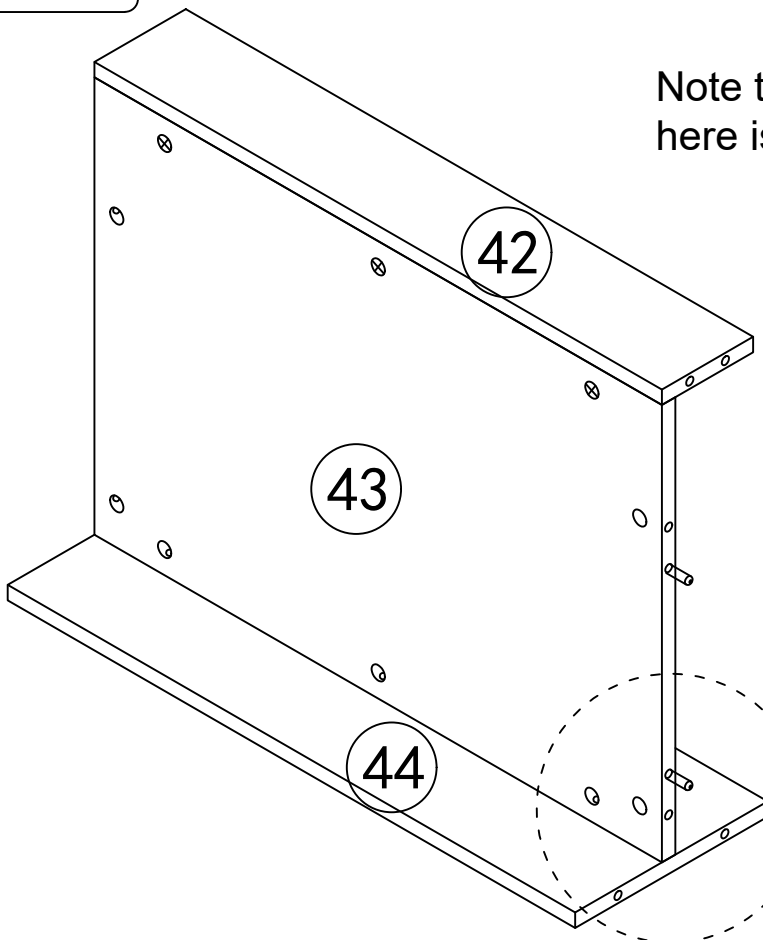


# Step 60




- ①  x3
- ②  x3

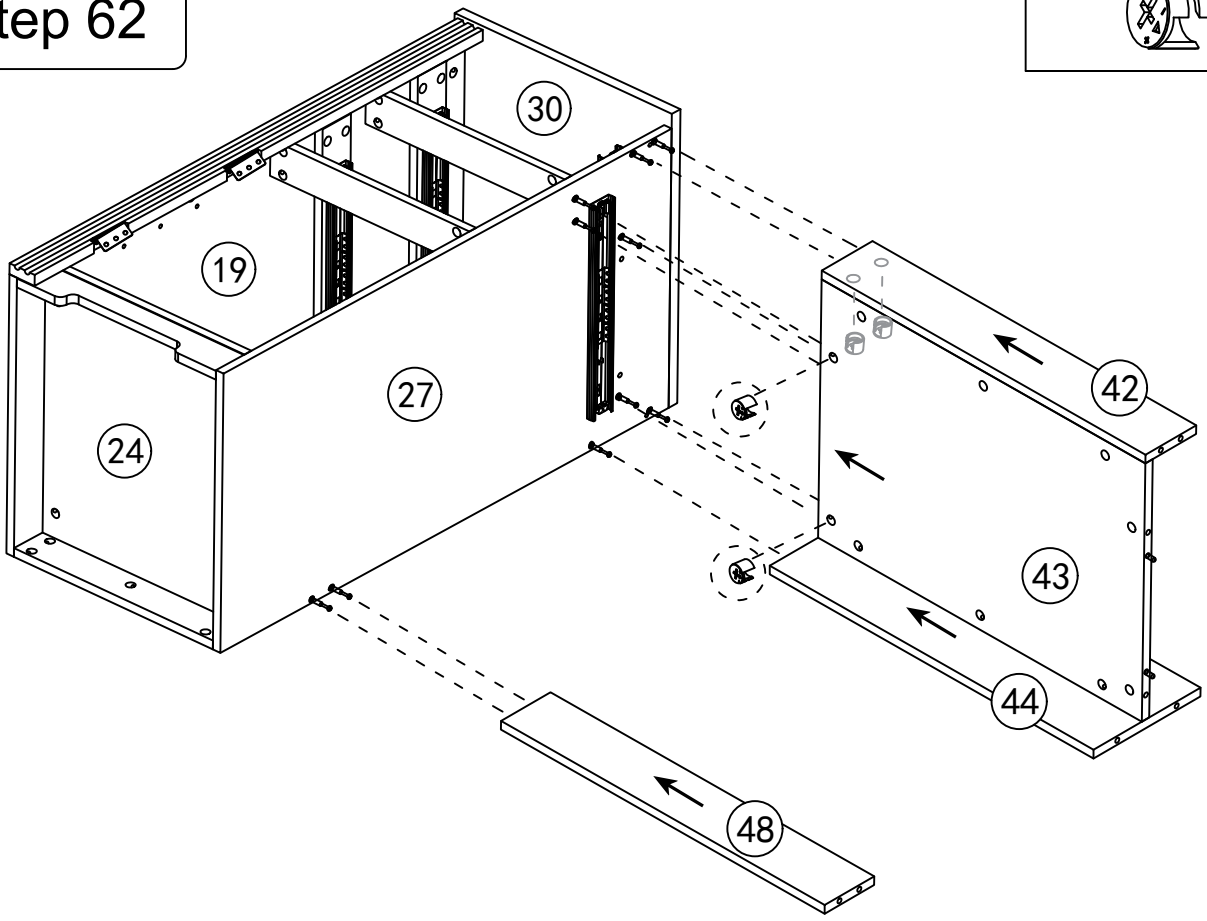
# Step 61




Note that the direction of the holes here is very important

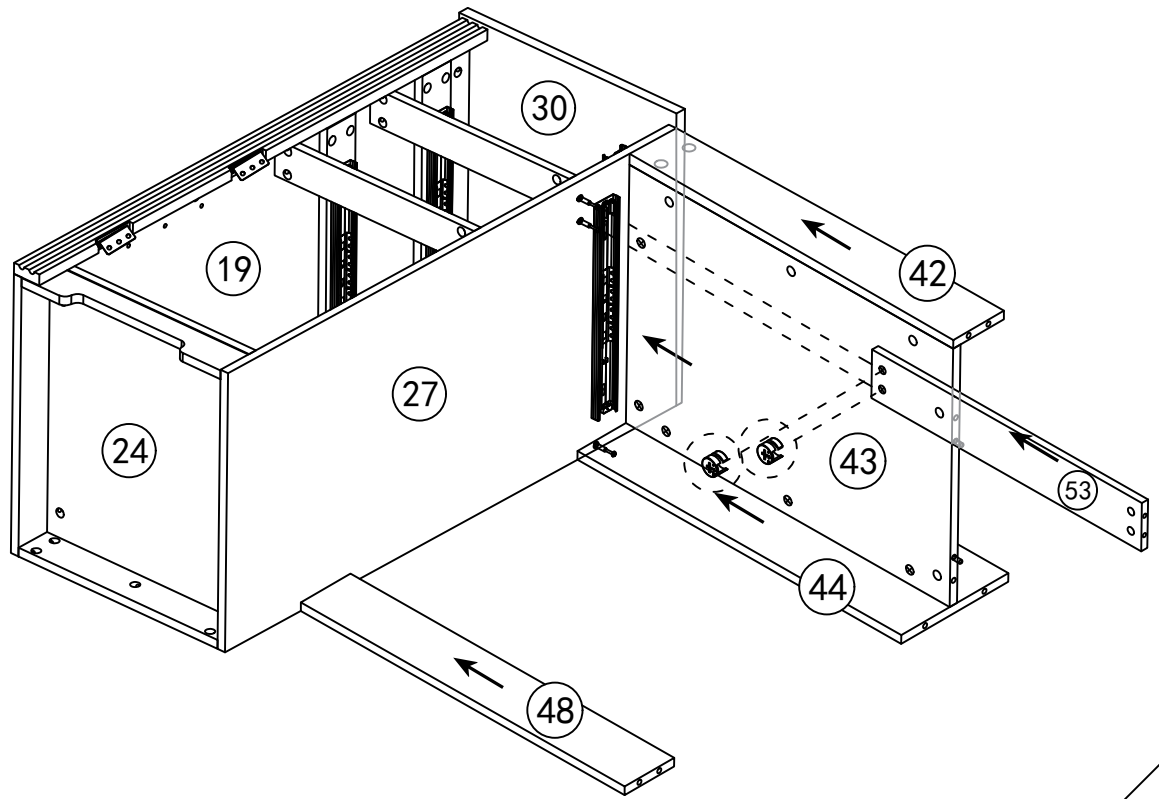
# Step 62

②  x4




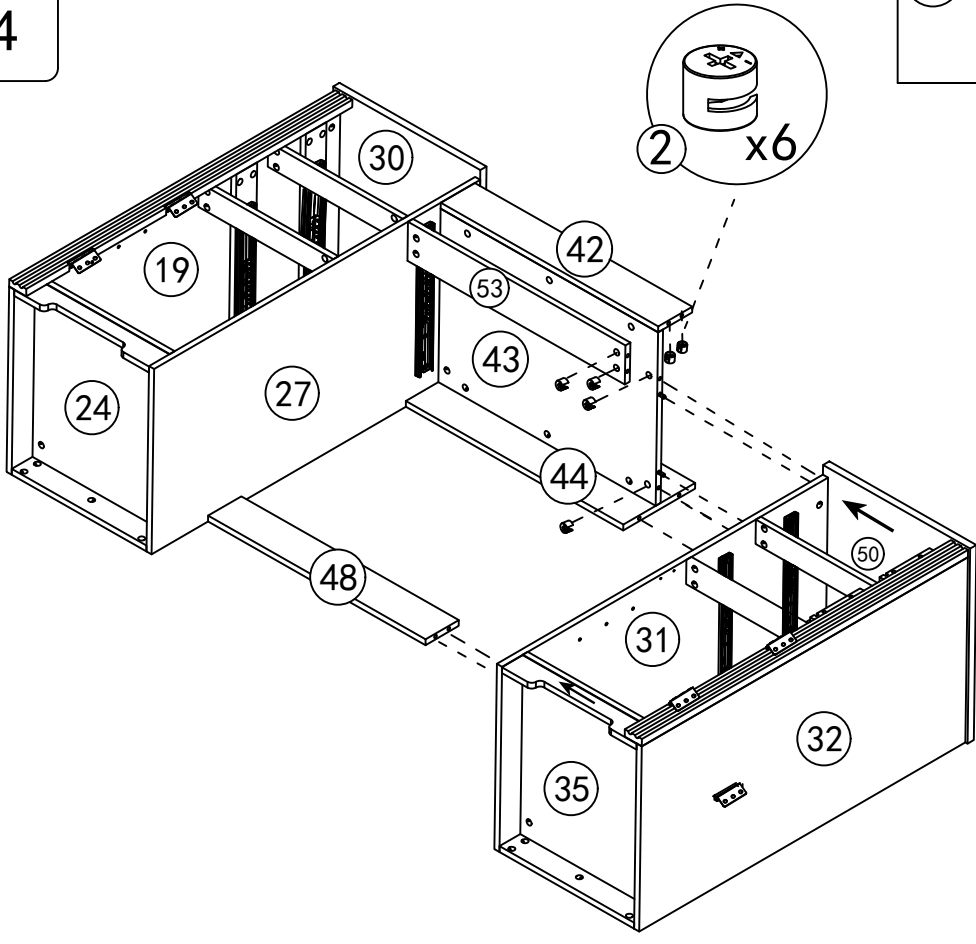
# Step 63

②  x2



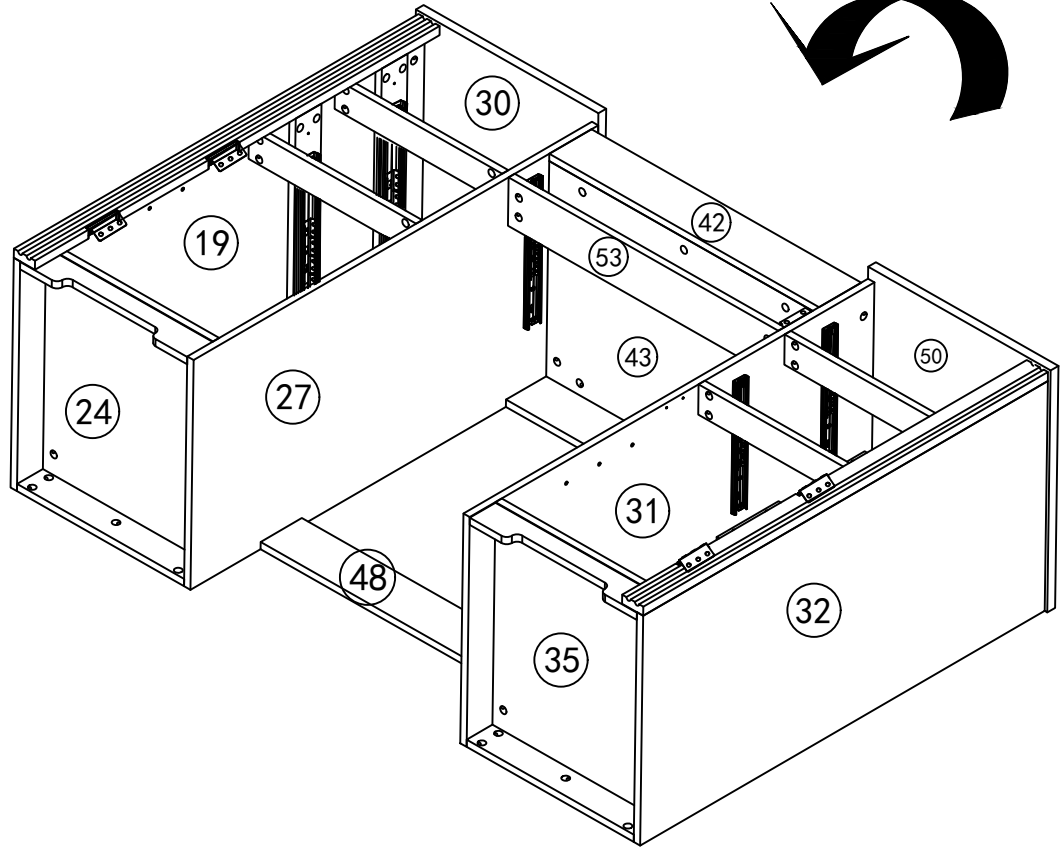
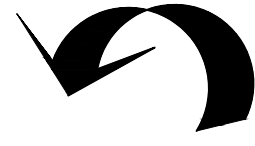
# Step 64

②  x6

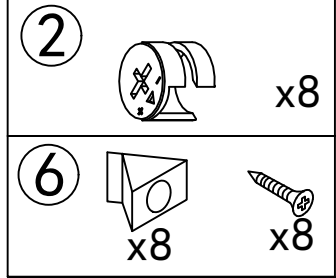
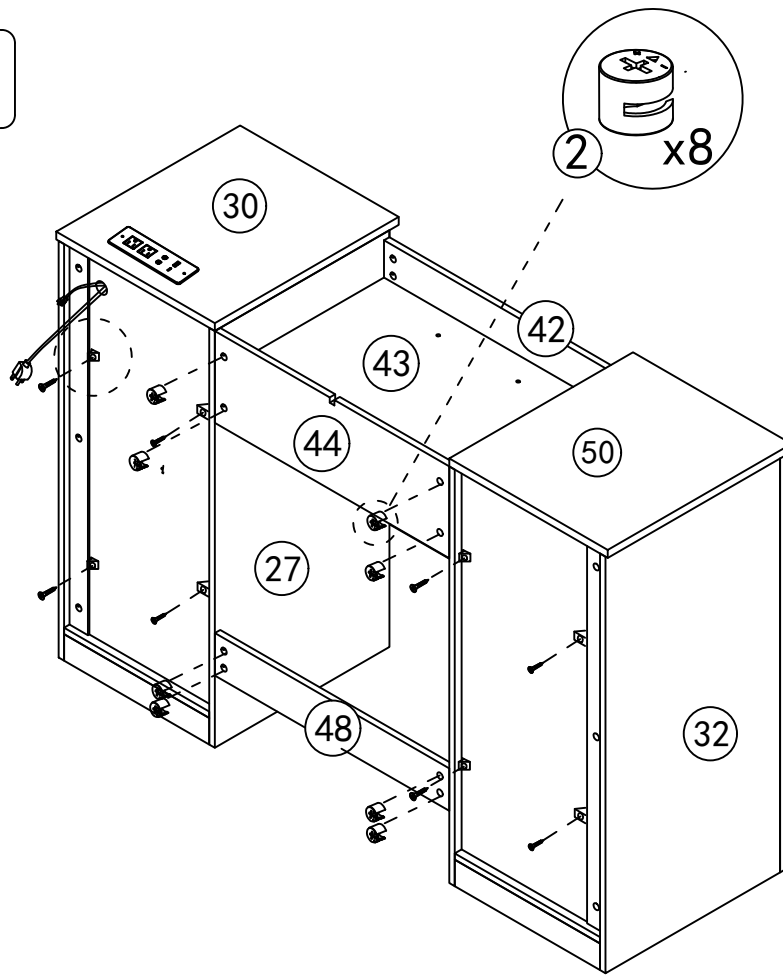
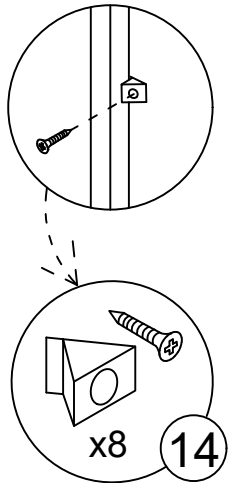


# Step 65

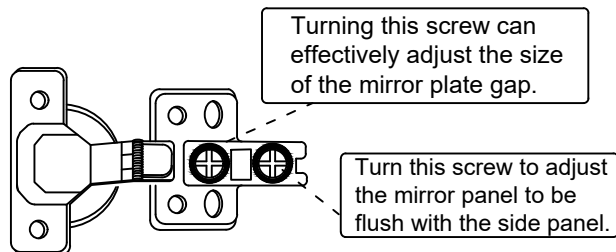
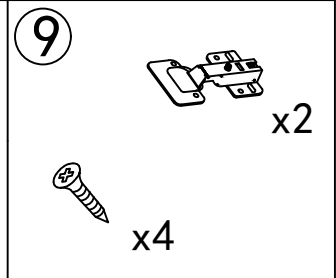
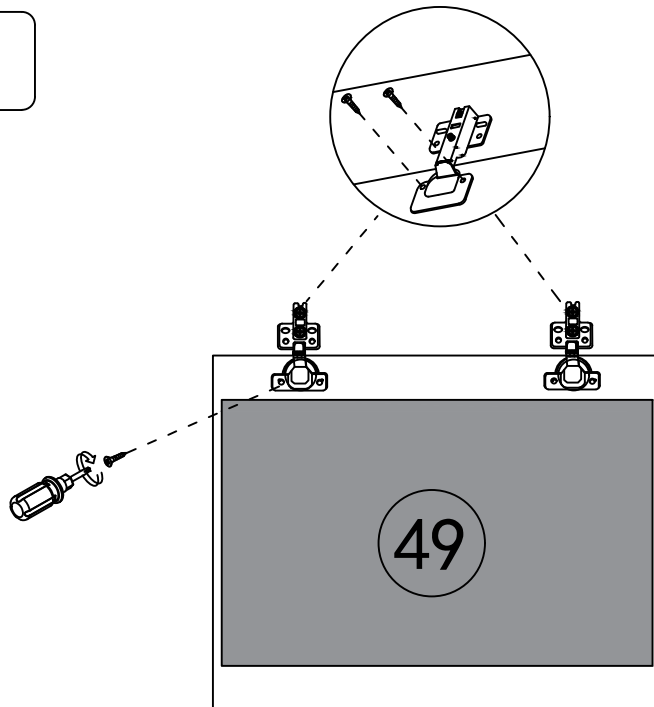
Flip one side over.



# Step 66



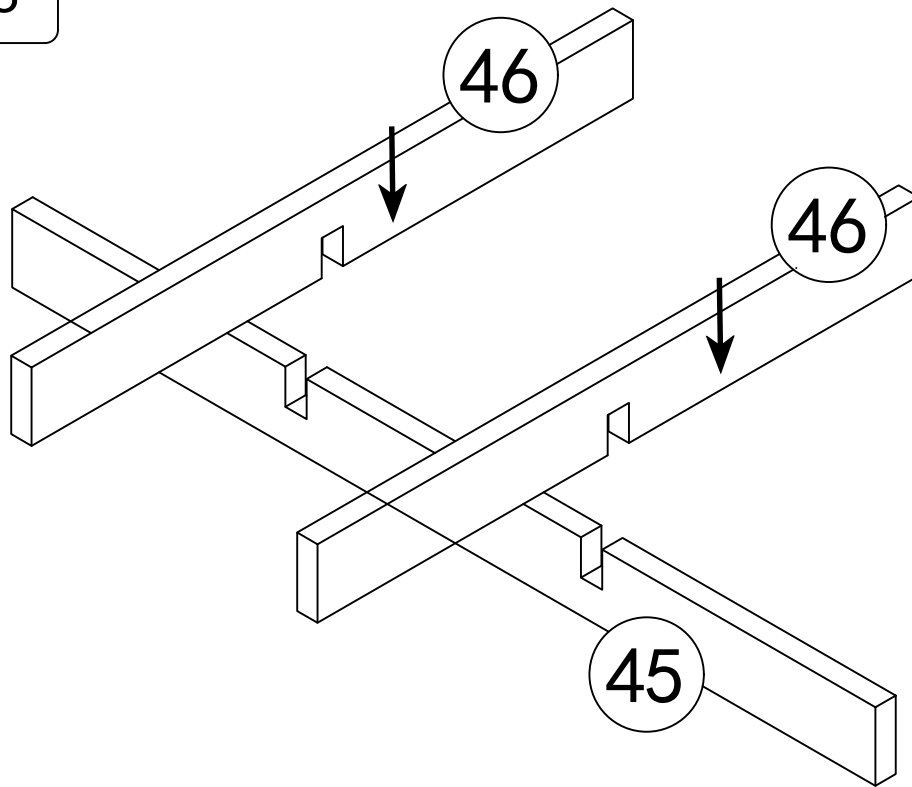
# Step 67



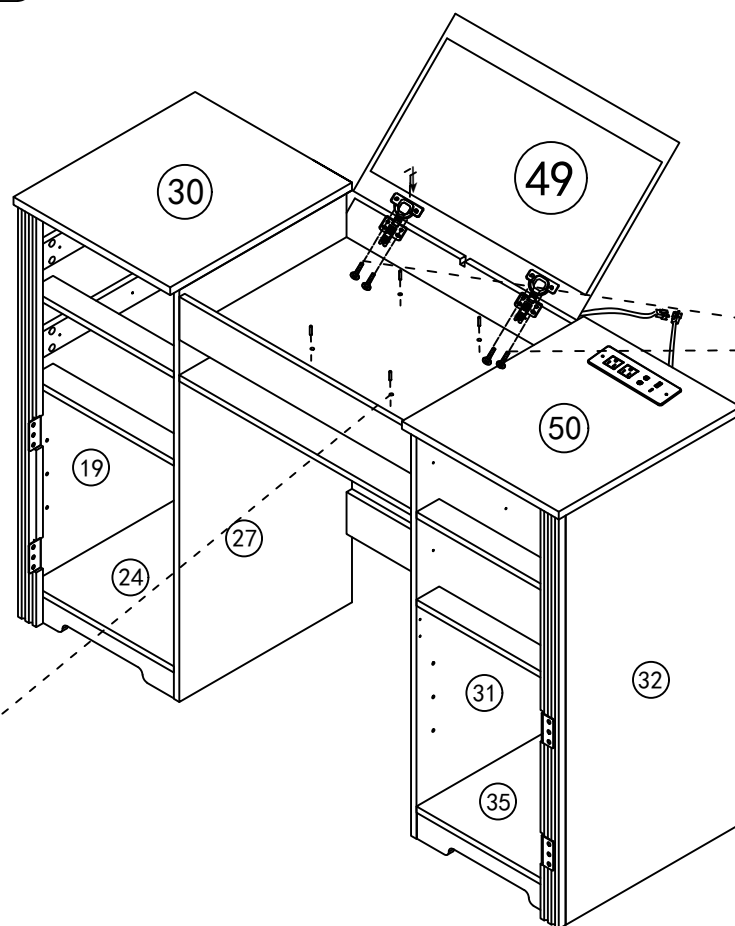
Turning this screw can effectively adjust the size of the mirror plate gap.


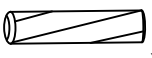
Turn this screw to adjust the mirror panel to be flush with the side panel.

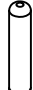
Step 68





Step 69

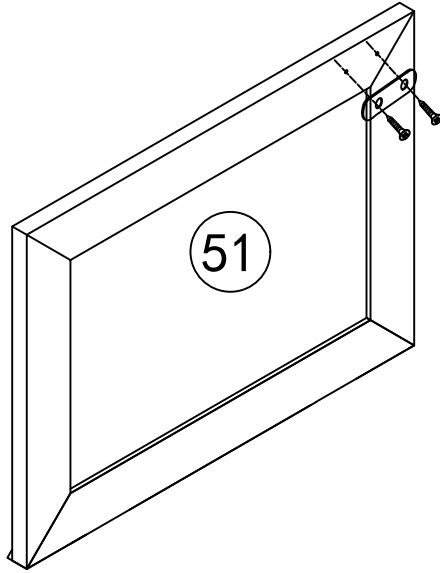
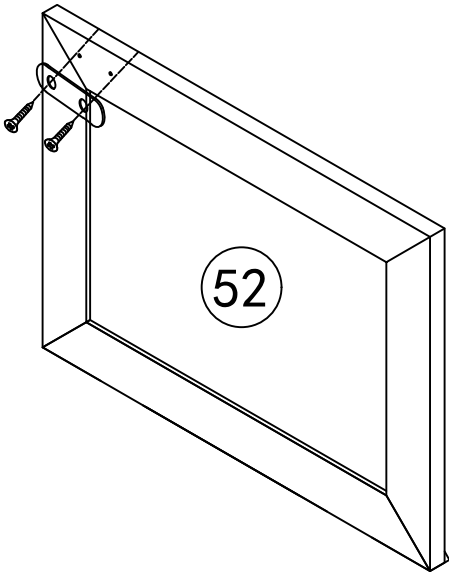


- 9  x8
- 3  x4

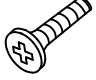

- 3  x4

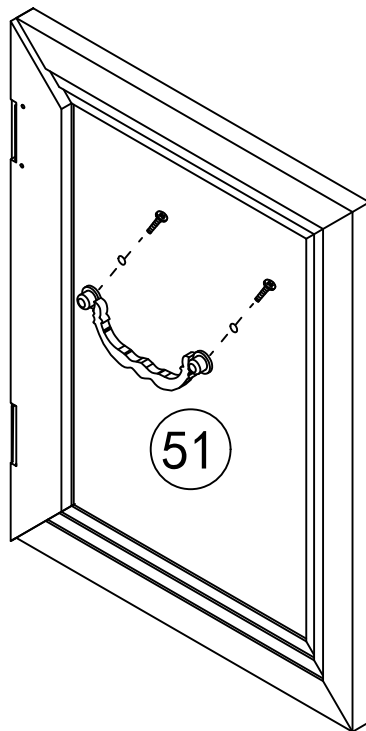
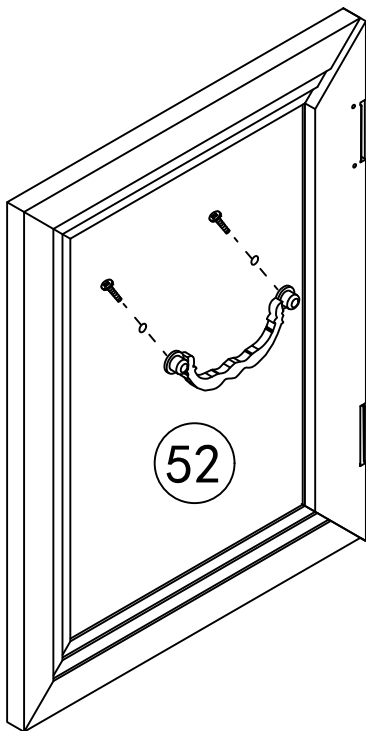
Step 70

- 10  x4
- 10  x2



Step 71

- 4  x4
-  x2

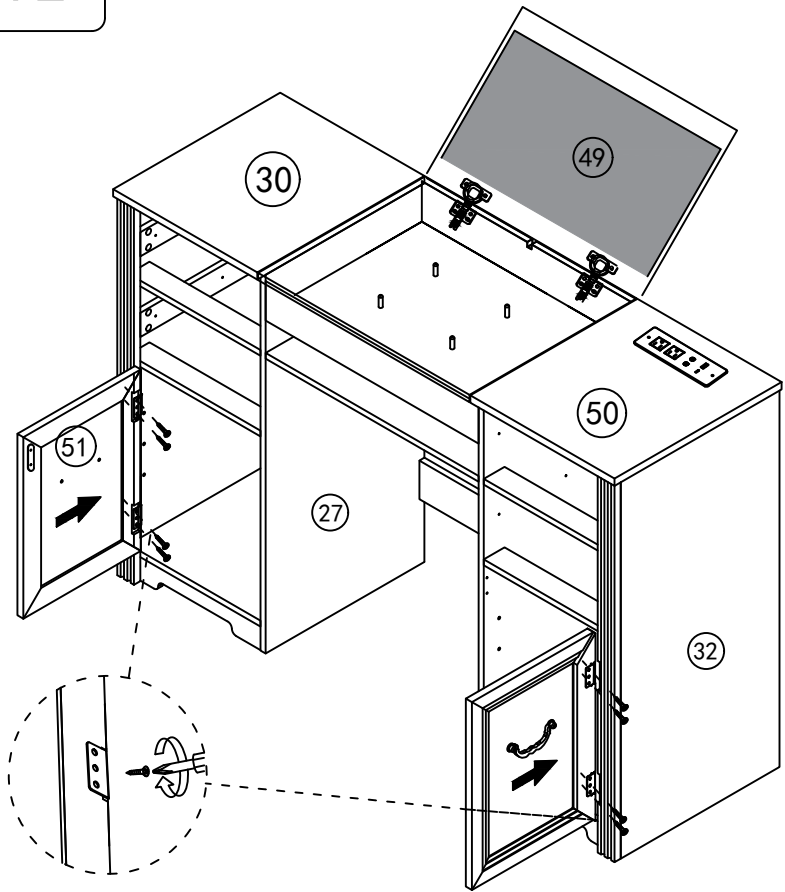


# Step 72

13



x8

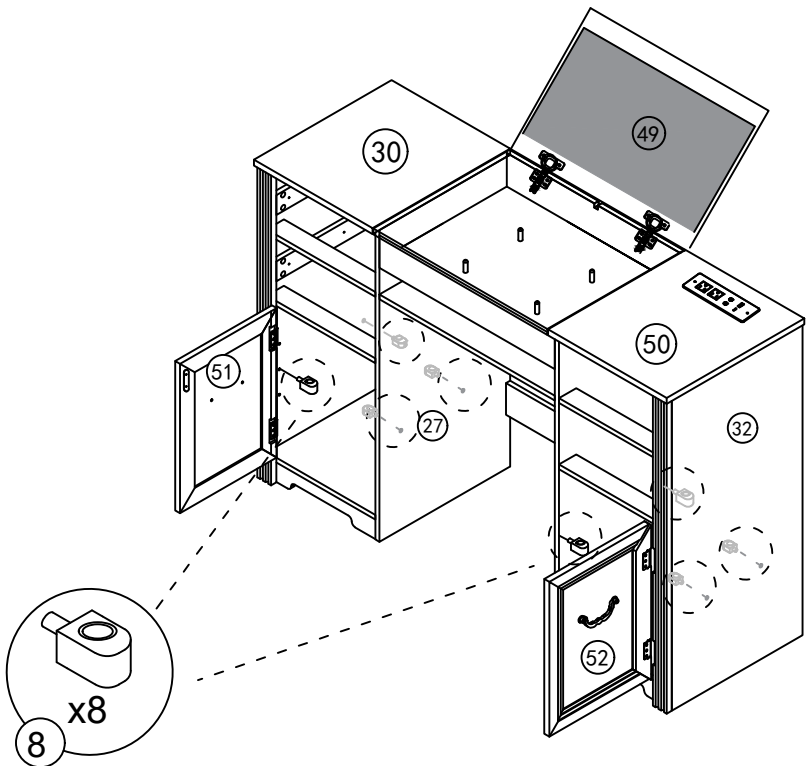


# Step 73

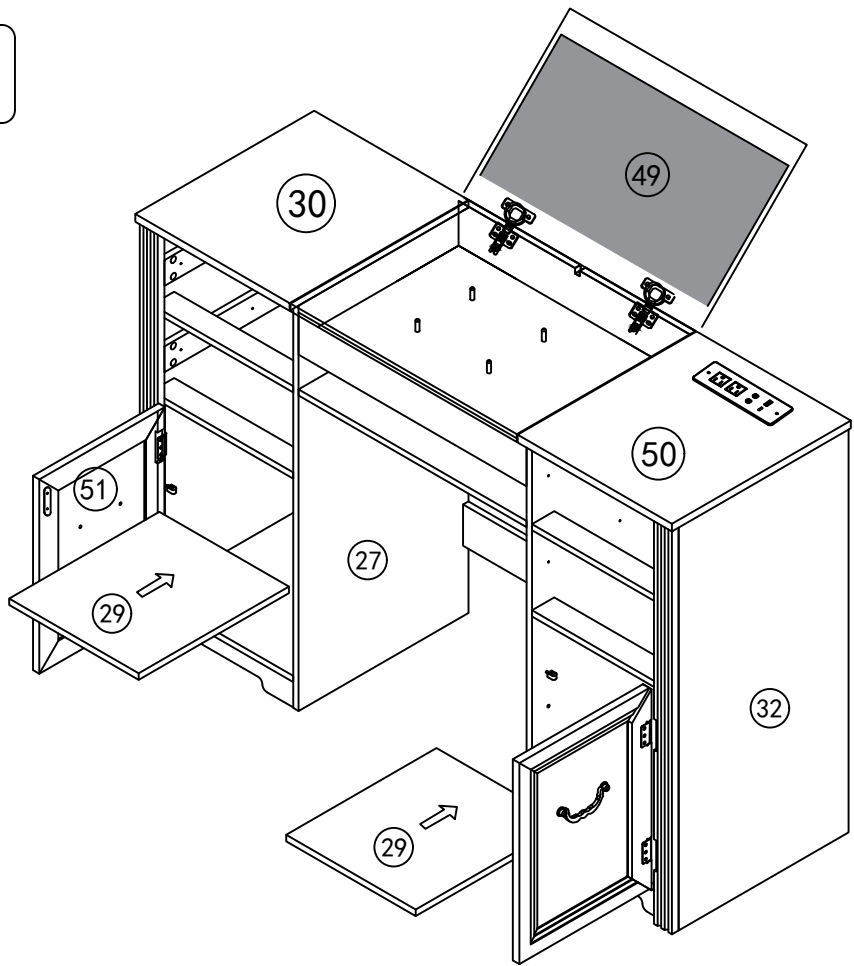
8



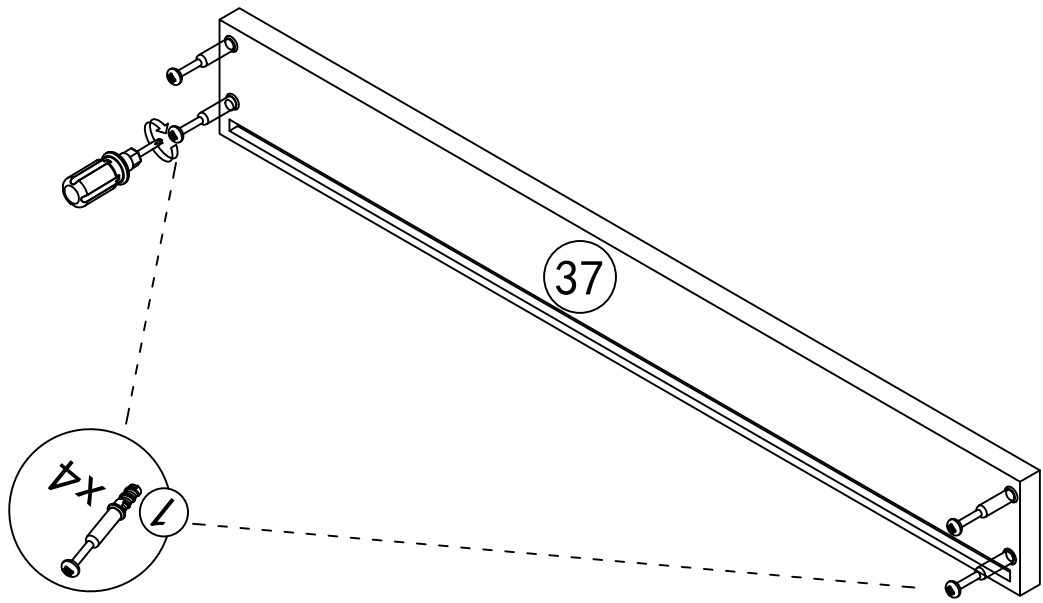
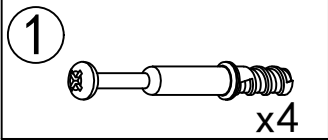
x8



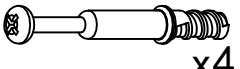

Step 74

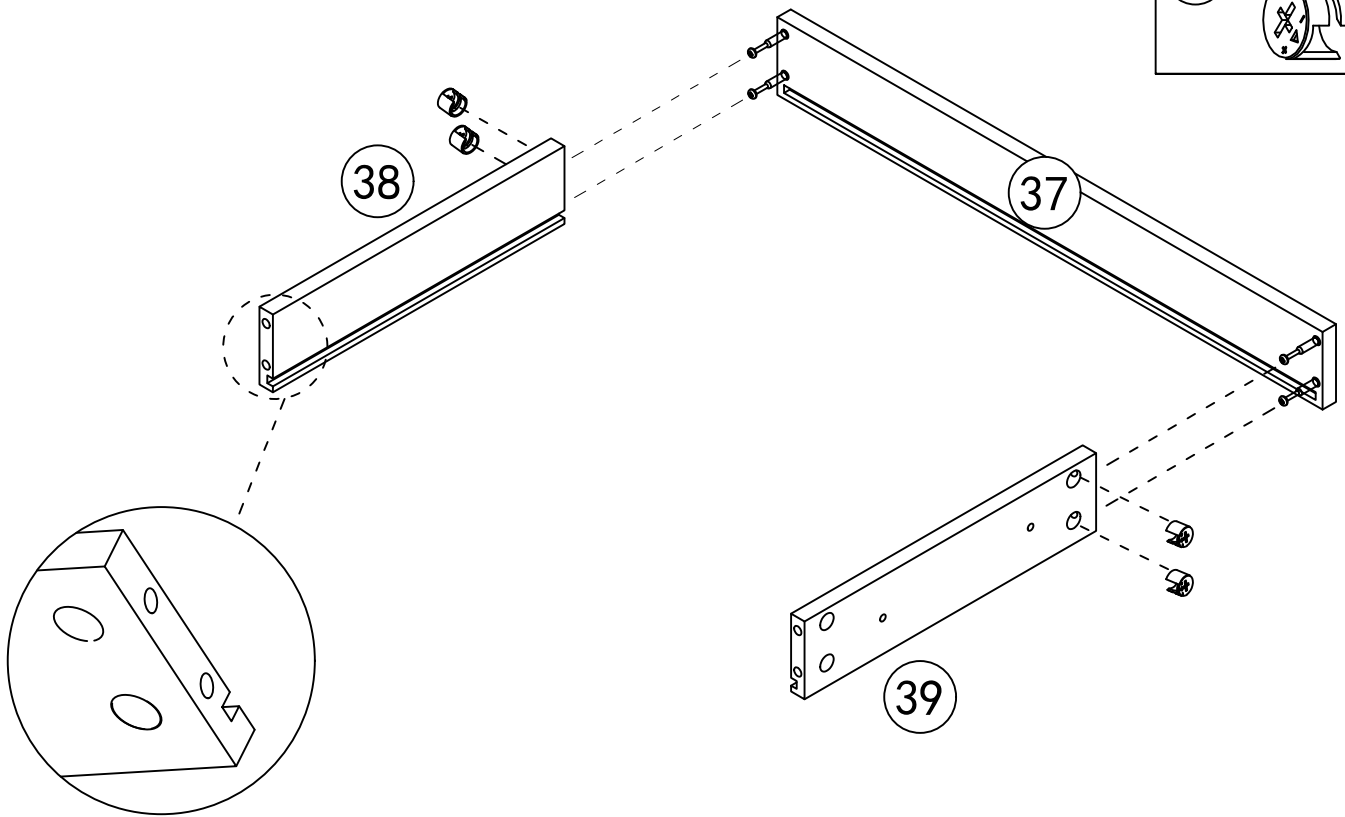


Step 75

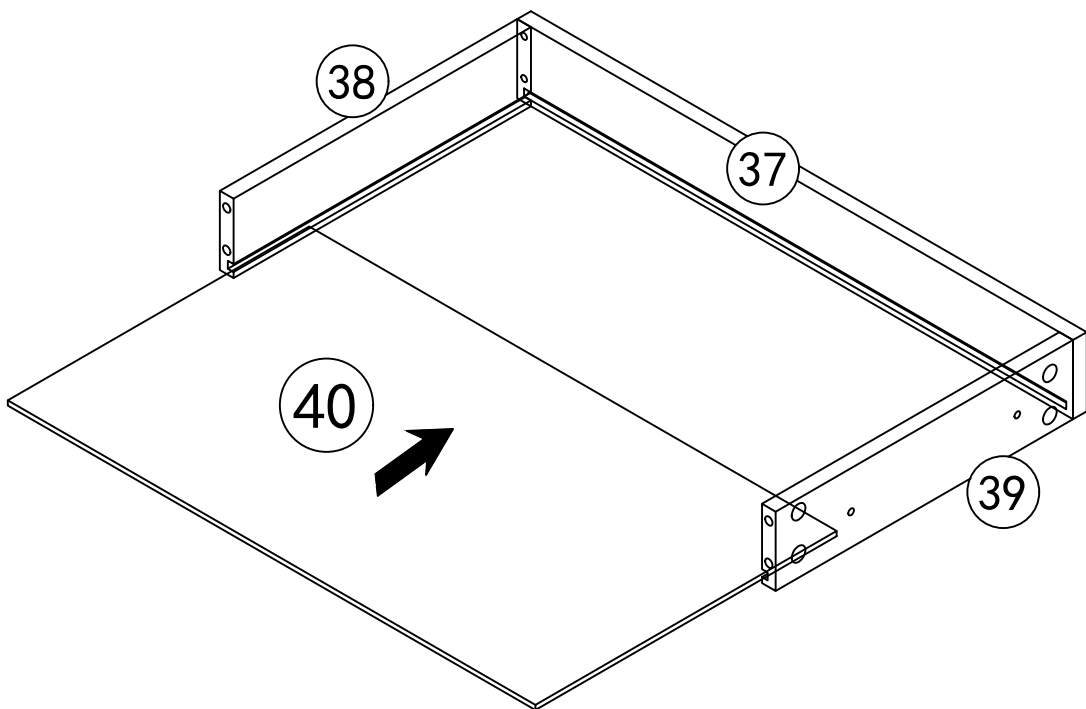


# Step 76

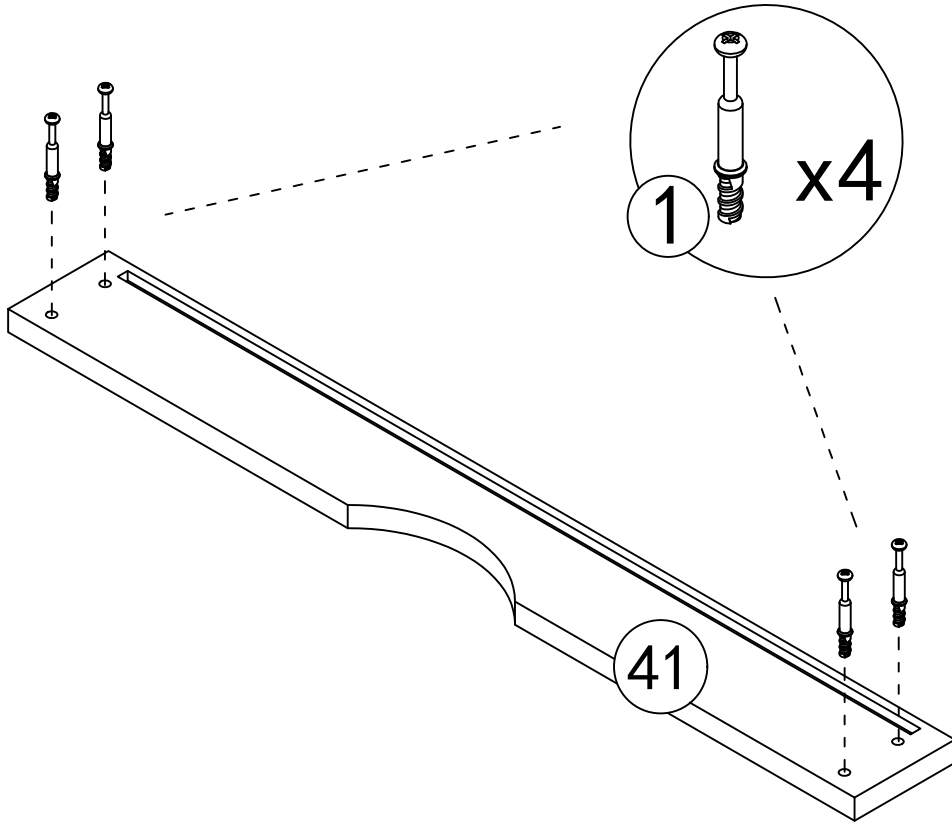
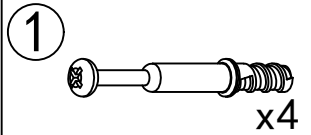
- 1  x4
- 2  x4



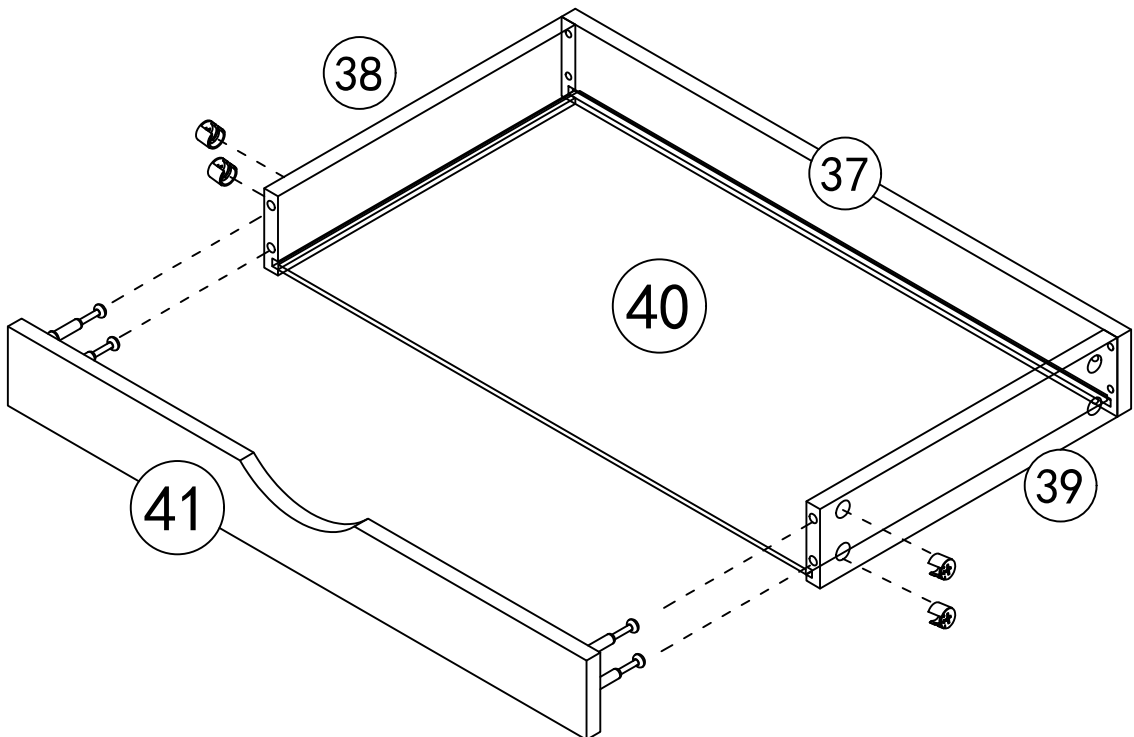
# Step 77



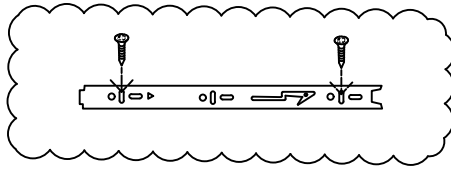
# Step 78



# Step 79



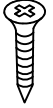
# Step 80



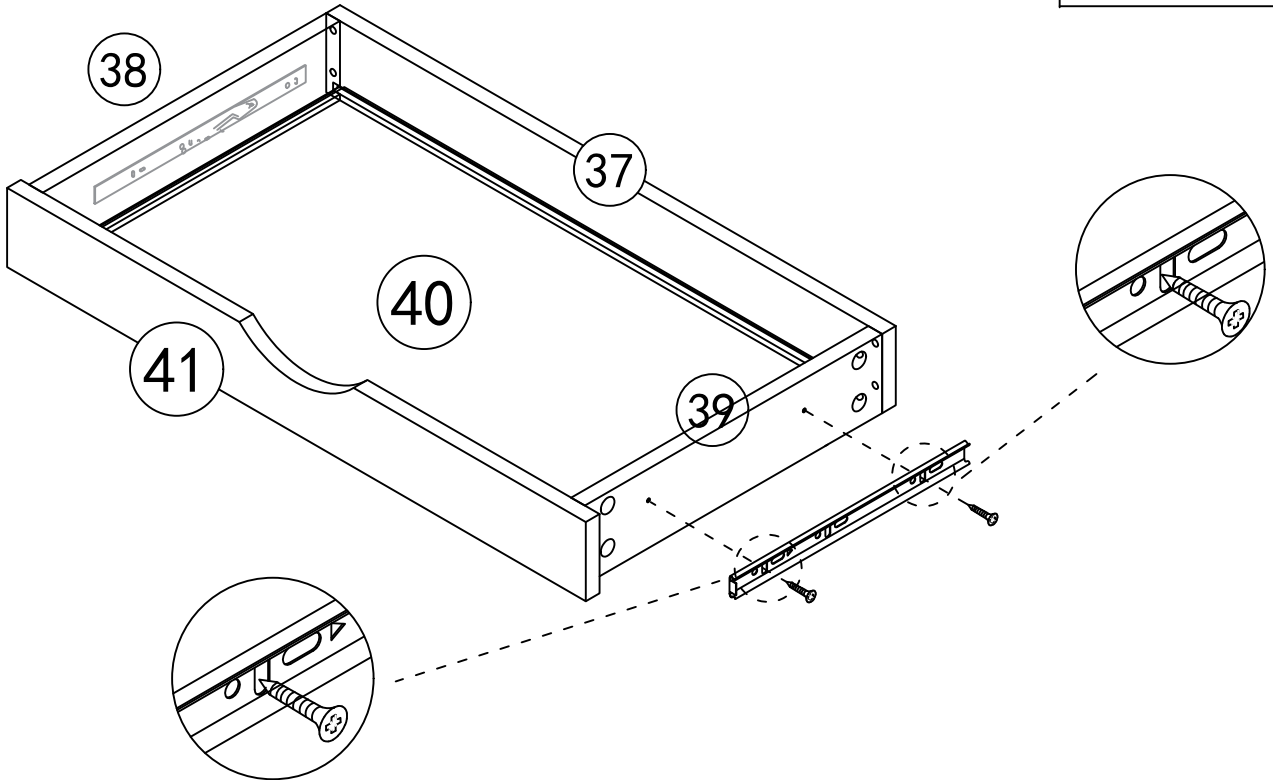
5



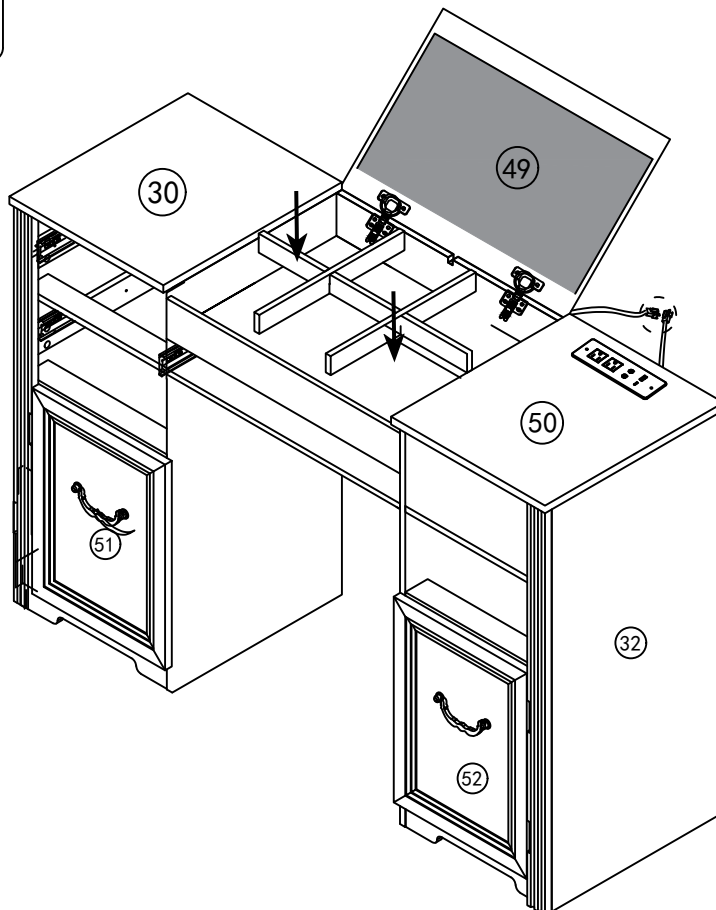
x2



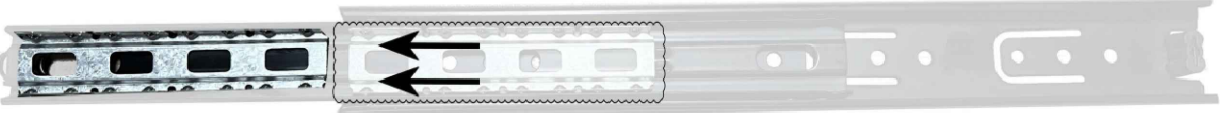
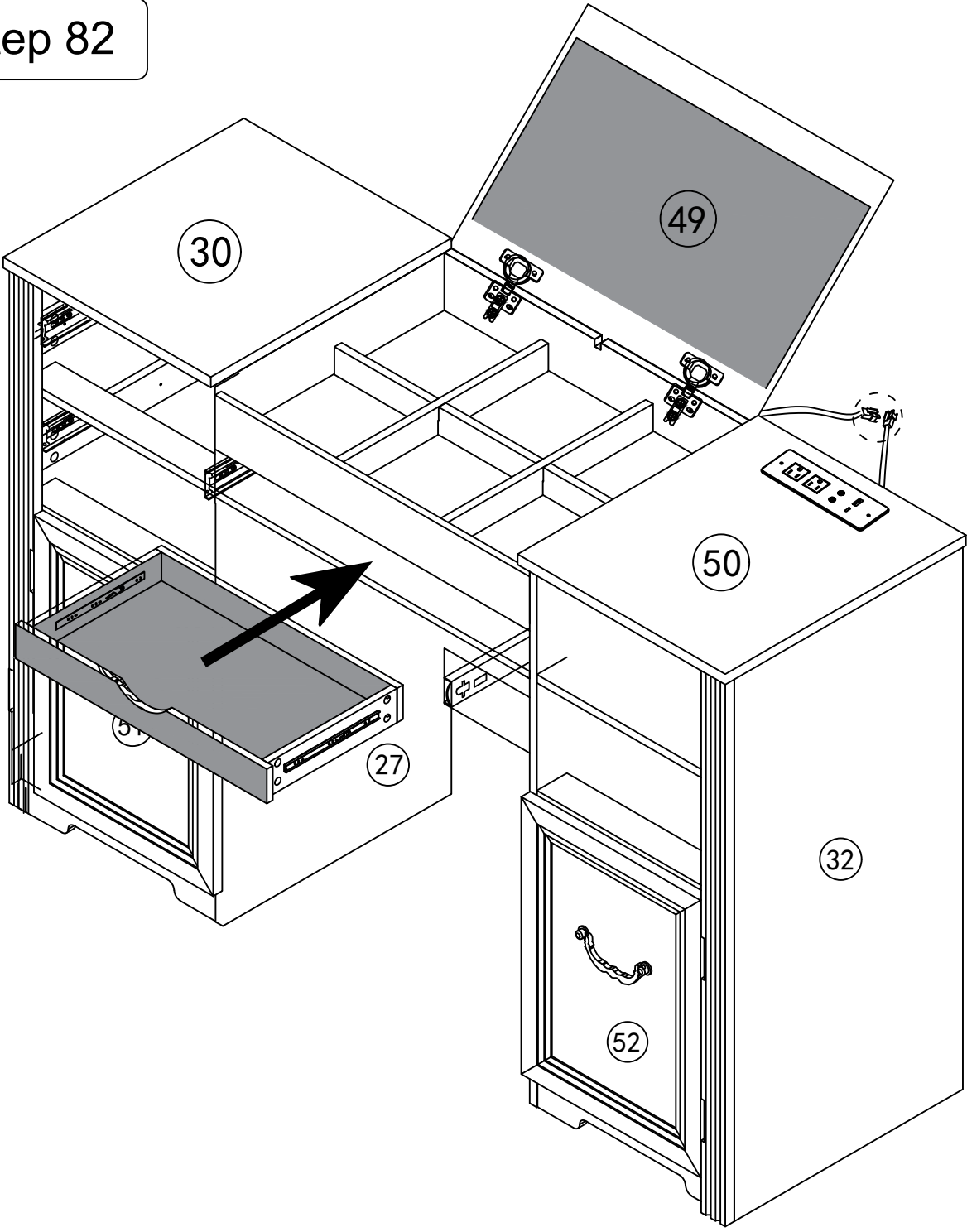
x4



# Step 81

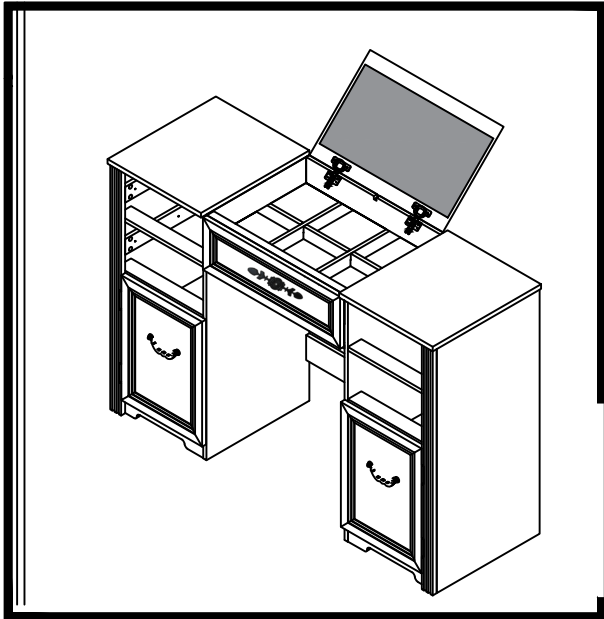
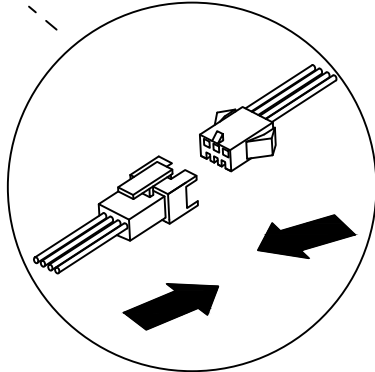
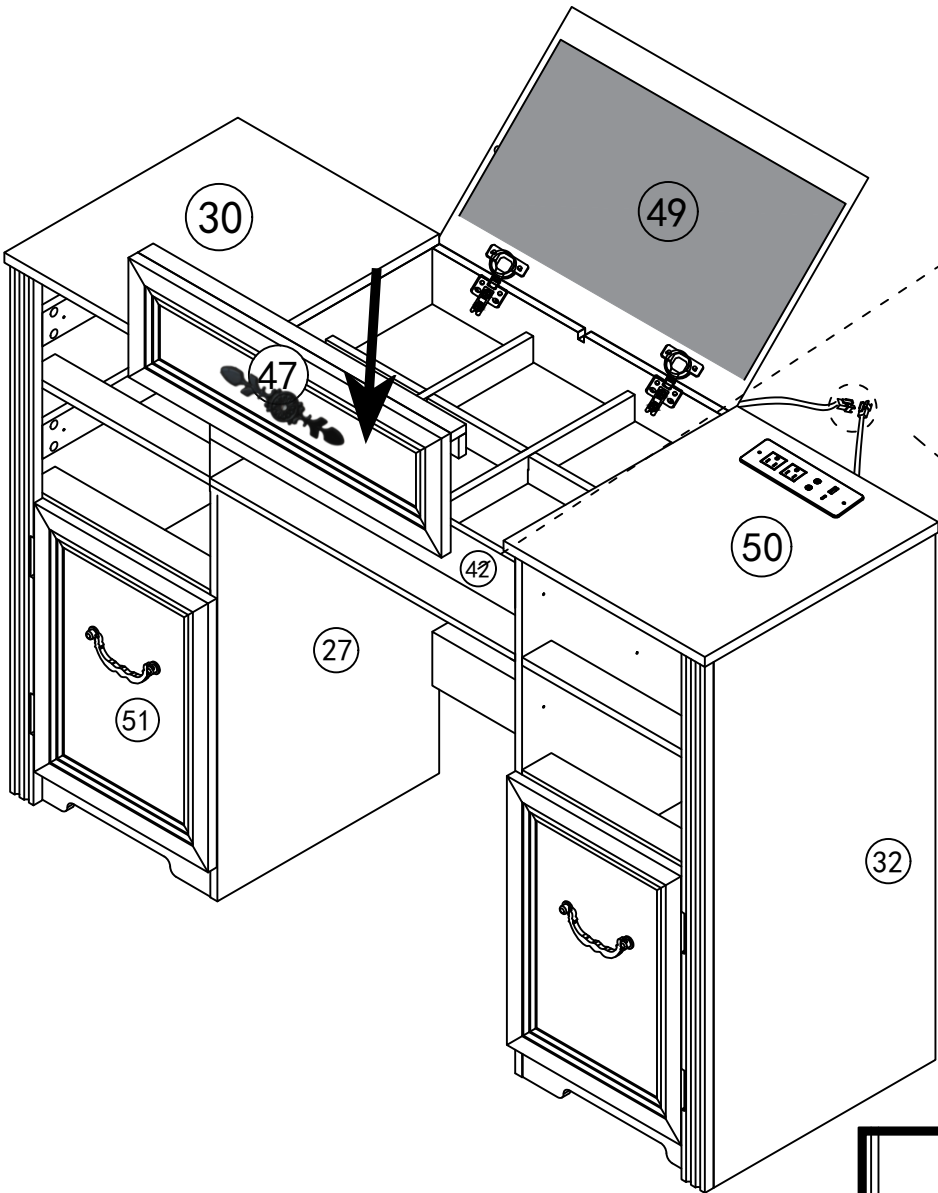


Step 82



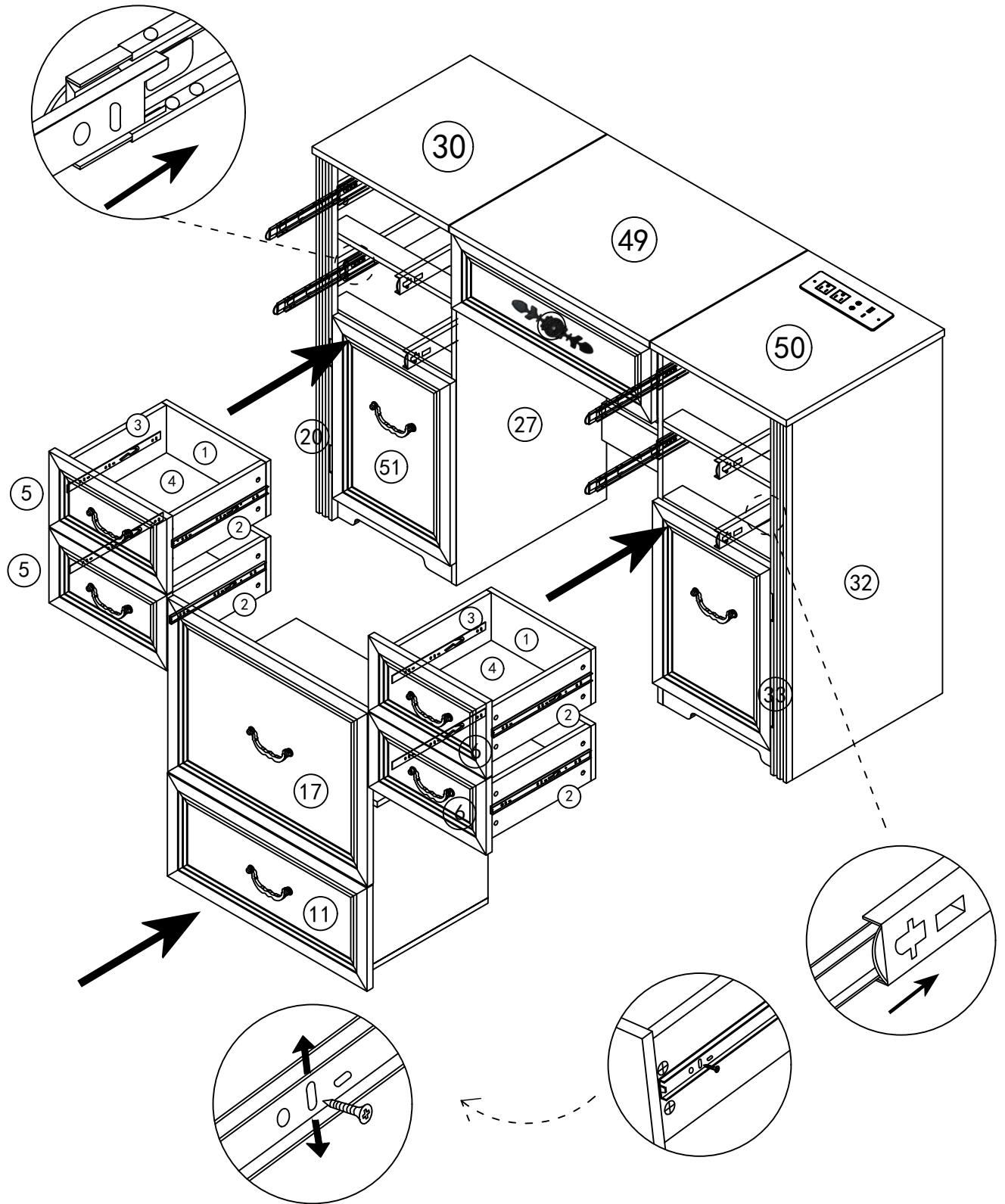
As shown, When installing the drawer, pull the guide rail out first, Slide beads are also pulled out.

Step 83





The 47th plate is directly inserted into the 42nd plate downwards

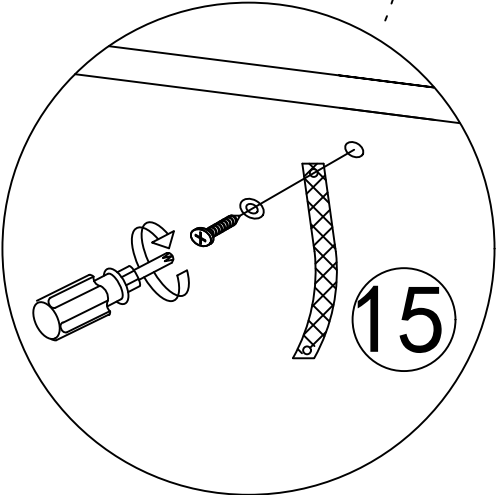
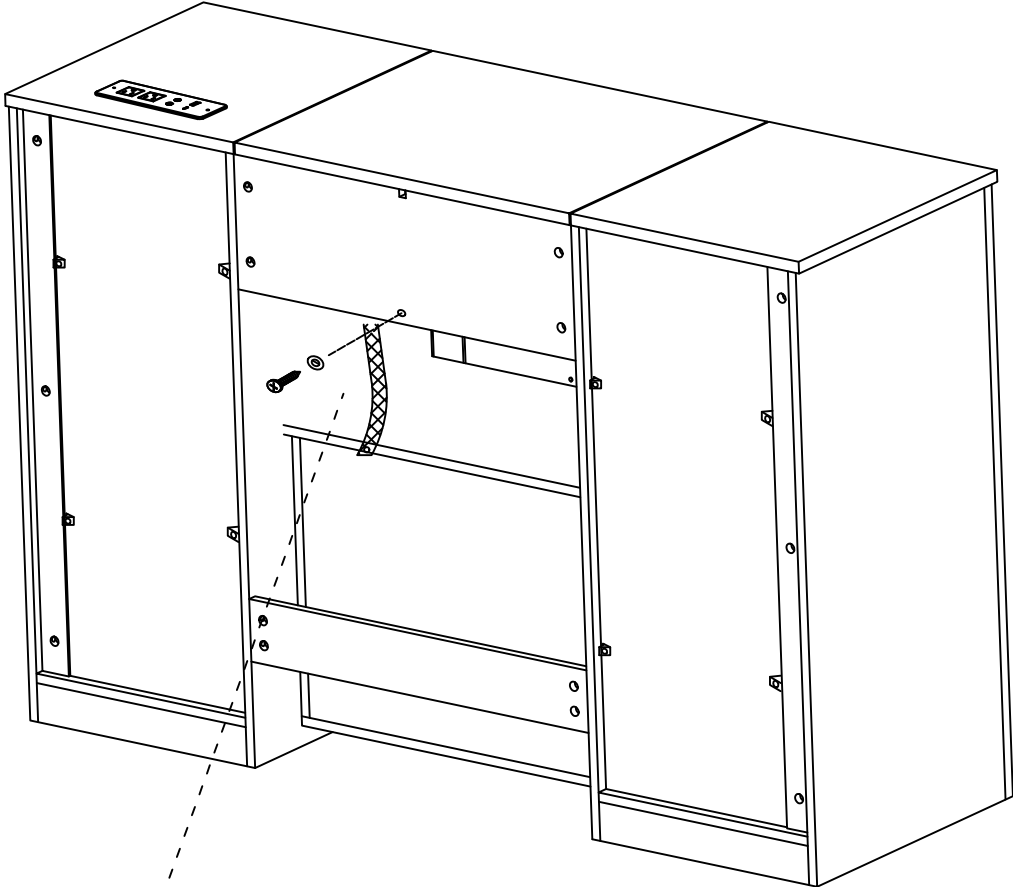
# Step 84



If a large gap is found after installing the drawer the slide rail can be moved up and down to adjust the gap

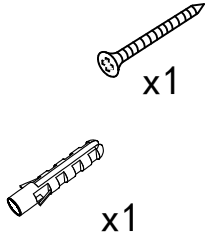
# Step 85

- 15  x1
-  x1



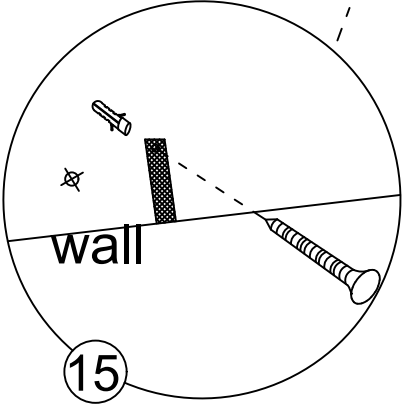
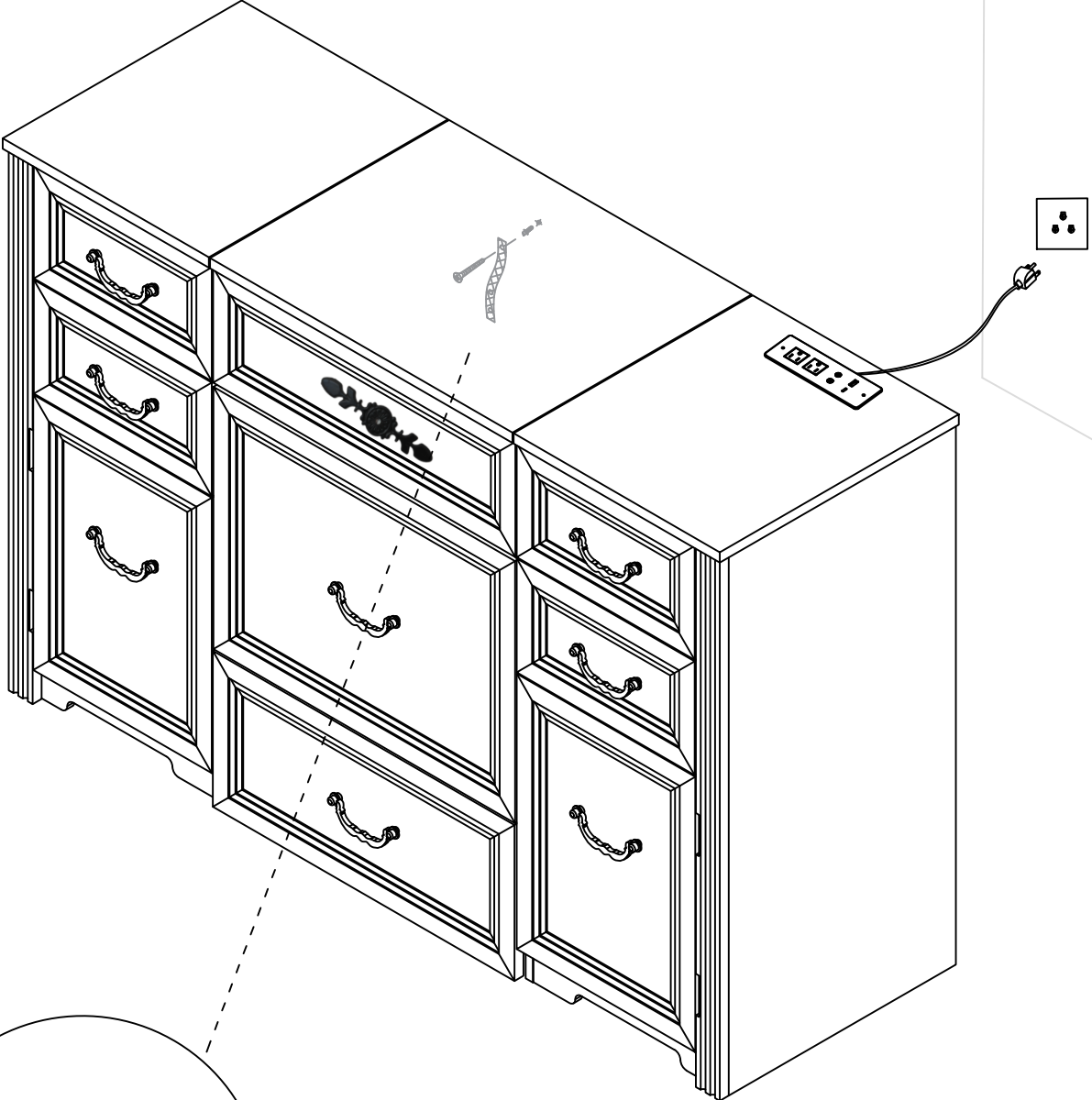
Step 86

15



x1

x1



## User's Guide

Thank you for purchasing this product.  
Please use if the product works normally after connecting to power.

## Introduction

The box is an intelligent controller.

It has 1 USB-A output port 1 Type-c output port and 2 socket.

With 2 touch buttons, it can turn. ON/OFF the light,adjust the light luminance,  
and change light colors.



## Operation



**This touch button is used to turn on/off, and adjust brightness.**

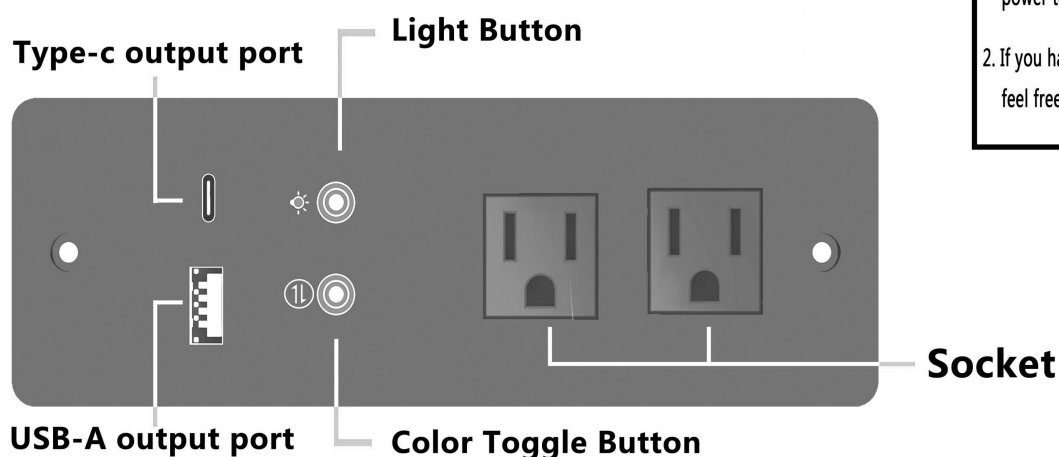
A. Short touch ->lighting on ->short touch ->lighting off(It stays as it was before the last time the lights went out).

B. Long touch -> adjust the luminance.



**This touch button is used to change colors.**

When the light is turned on, press this button to realize the three-color switching function ,  
and this touch key is invalid when the light is not turned on.



### ATTENTION PLEASE

1. If there is no touch response suddenly, Re-plug the power to reset the touch static electricity.
2. If you have any questions when installing, please feel free to contact us. Thank you.