

Assembly Instructions

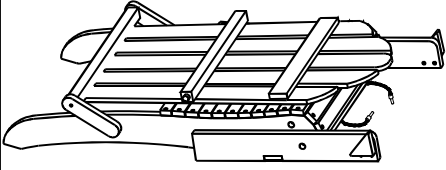
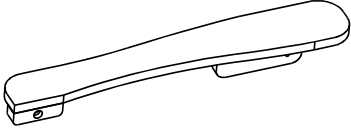
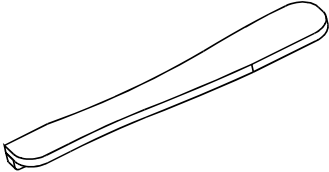
Caution: You must read this before you proceed

Adirondack Chair


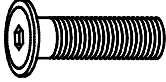

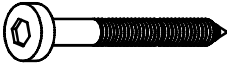




CAUTION : This Adirondack is NOT a TOY.
Keep your child / children at bay during the assembly process.
Whenever moving or lifting the Adirondack and to prevent damage to the Adirondack chair, two adults are needed to execute this action.

Parts List

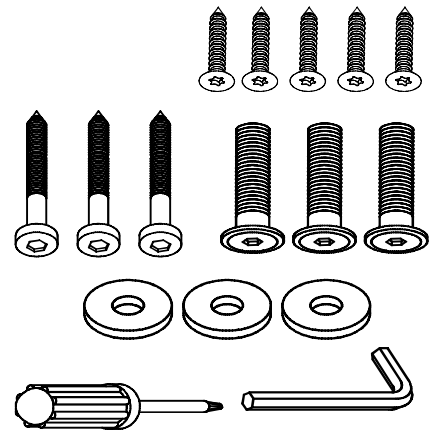
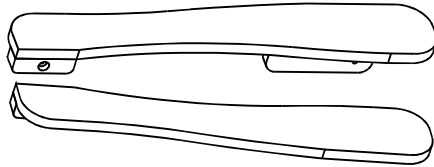
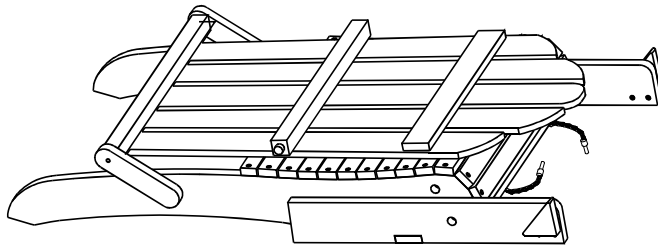
Label	Picture	Description	QTY
A		Foldable Seat And Backrest	1
B		Right Armrest	1
C		Left Armrest	1

Hardware

Label	Picture	Description	QTY
①		Screw (M4x30mm)	5
②		Bolt (M6x35mm)	3
③		Sleeves Washer (M6x2mm)	3
④		Screw (M7x70mm)	3
⑤		Allen Key	1
⑥		Screwdriver (Not provided)	1

Assembly Preparation

Before Beginning Assembly:



- Read instructions, cover to cover-



- Have 2 adults on hand for assembly-



- Do not assemble on flooring or carpet-



- Assemble on a clean non-marring surface (packing foam)-



- Save all packaging until finished-

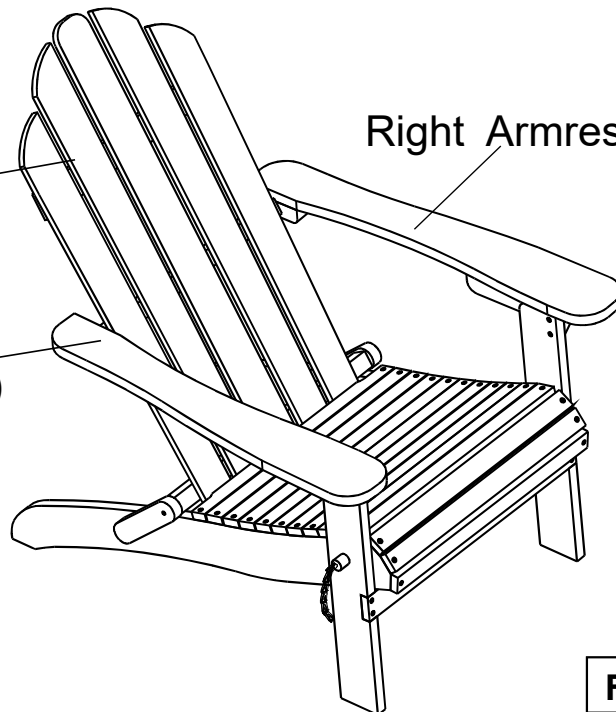
Before Beginning Assembly:

OVERVIEW

Foldable Seat And Backrest (A)

Left Armrest (C)

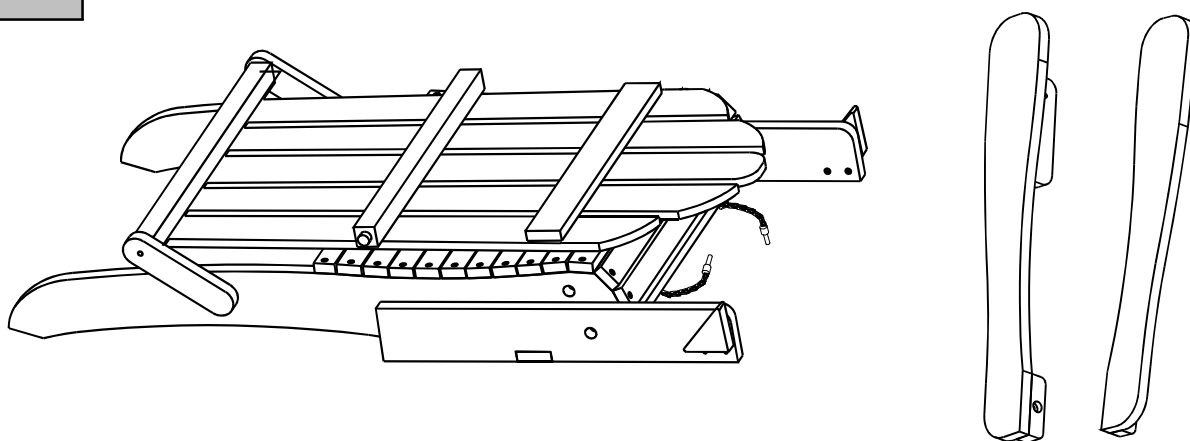
Right Armrest (B)



FRONT FACING

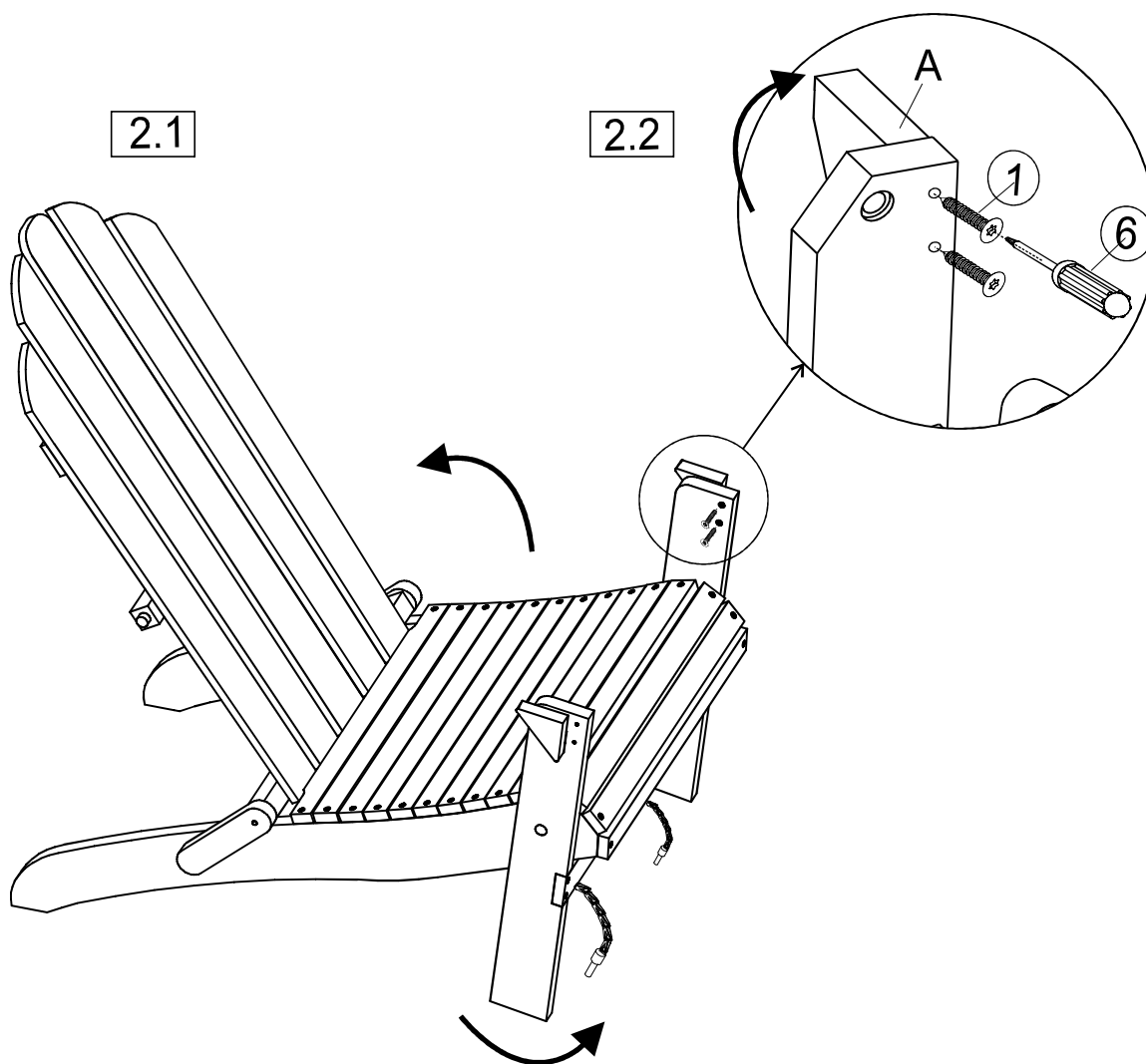
This Adirondack Chair has multiple parts and may require up to 30 minutes to assemble. To give you an overview of the Adirondack Chair parts, the above picture is to help you put the various parts into perspective. Please read through the instructions below to familiarise yourself with the parts and steps before assembly.

Step 1



Unpack and place all parts on a clean, non-marring surface.

Step 2

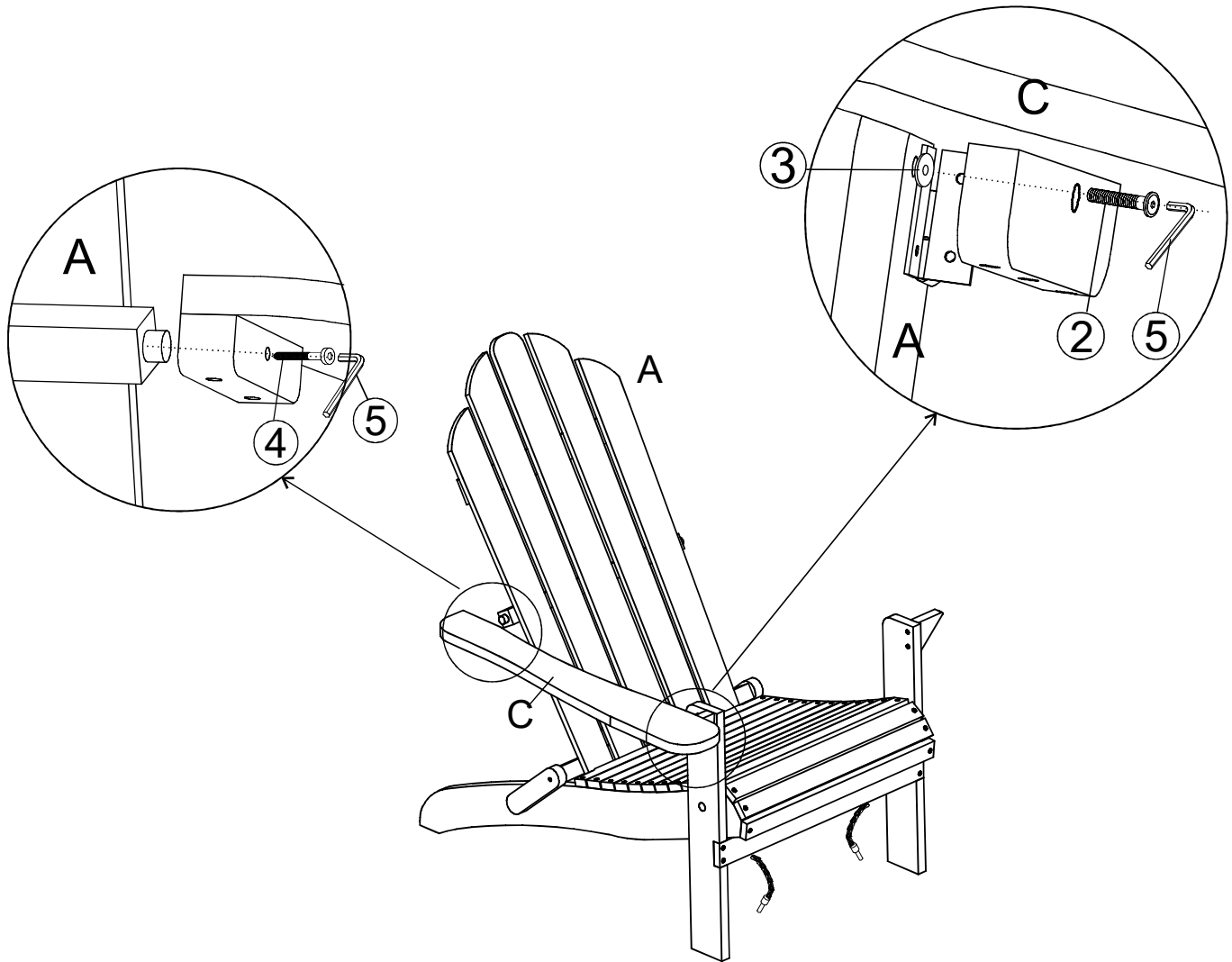


2.1) Open Backrest and Leg as indicated by the arrow

2.2) Fold out the Left and Right Support Corners as indicated by the arrow, then secure using Screws(①) with Screwdriver(⑥).

Do not fully tighten the Screws.

Step 3



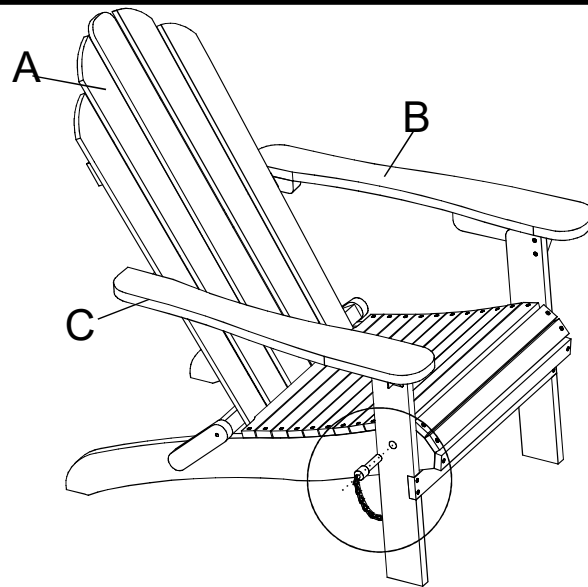
Insert Left Armrest(C) onto tenon on Backrest Support and attach using Screw(④) with Allen Key(⑤).

Attach Left Armrest(C) to Leg of Foldable Seat and Backrest(A) using Bolt(②), and Washer(③) with Allen Key(⑤).

Do not fully tighten the Screw and Bolt.

Repeat the same process with the Right Armrest(B).

Step 4

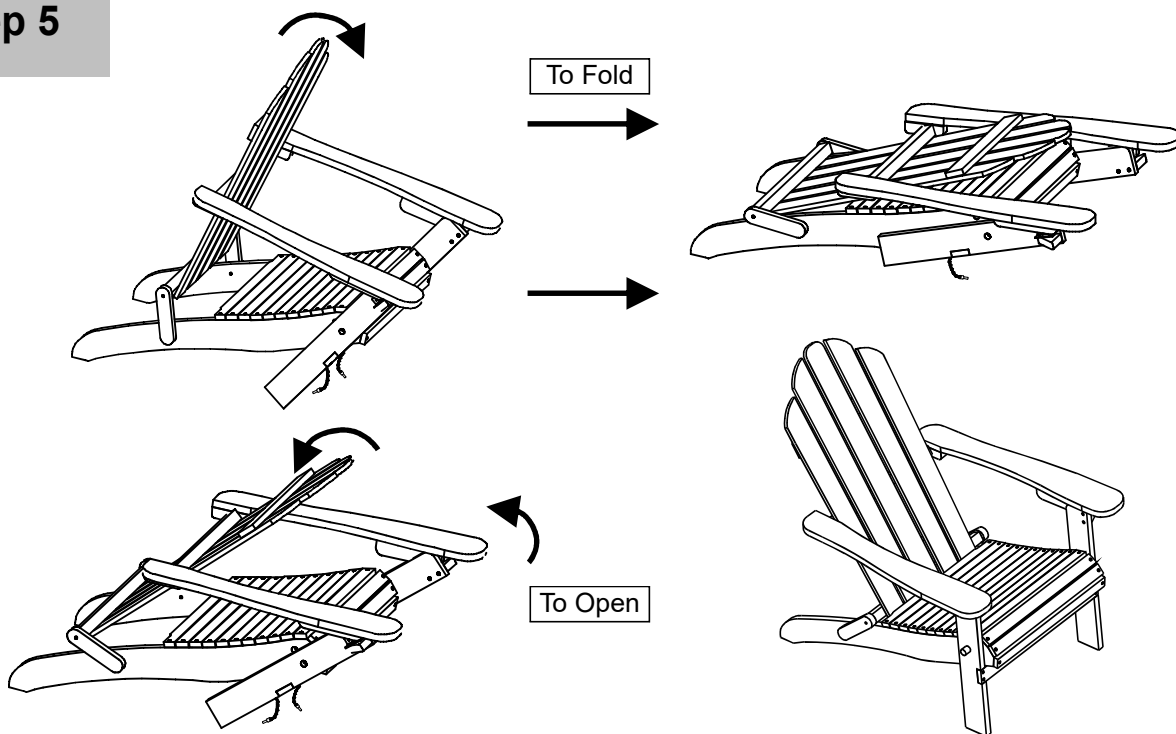


Push the Wooden Pin through the Legs as pictured to Lock the Chair into position. Gently and gracefully, sit onto to the Adirondack Chair. This will help to align all the parts at all joint areas. In a sequential manner, tighten all Bolts and Screws at all joints until fully locked into position.

Your Adirondack is ready for use.

This Adirondack can only be used on a flat, level surface.

Step 5












This Adirondack can be folded shut.

To fold: pull the Wooden Pins out of the Legs, then lift up the Backrest and fold the Seat forward as indicated by the arrows, until the Adirondack folds shut.

To open: pull the Backrest and Seat up as indicated by the arrows, then insert the Wooden Pins through the Legs.

Note: This Adirondack Chair is heavy, always have a second adult to assist whenever moving or lifting it.

Care & Maintenance

- ⊗  ● Do not put hot items directly on furniture surface.
 - ⊗  ● Do not clean furniture with harsh cleansers or polish.
 - ✓  ● To obtain the longest lifespan of your outdoor products, minimizing exposure to direct sunlight is recommended.
 - ⊗  ● Children should not climb or jump on the furniture.
 - ⊗  ● Do not write on furniture without a padded barrier to protect the surface.
 - ✓  ● To obtain the longest lifespan of your outdoor products, avoid extended and lengthy exposure to rain, snow, and direct sunshine. Whenever possible cover the product and /or place under patio or awnings.
 - ⊗  ● Not for commercial use. For residential use only.
 - ⊗  ● Stains may be removed with mild soap solution and damp cloth.
 - ✓  ● Dust and pick-up spills using a clean, non-colored, lint-free cloth .
-