



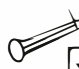






















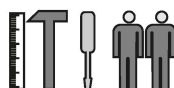
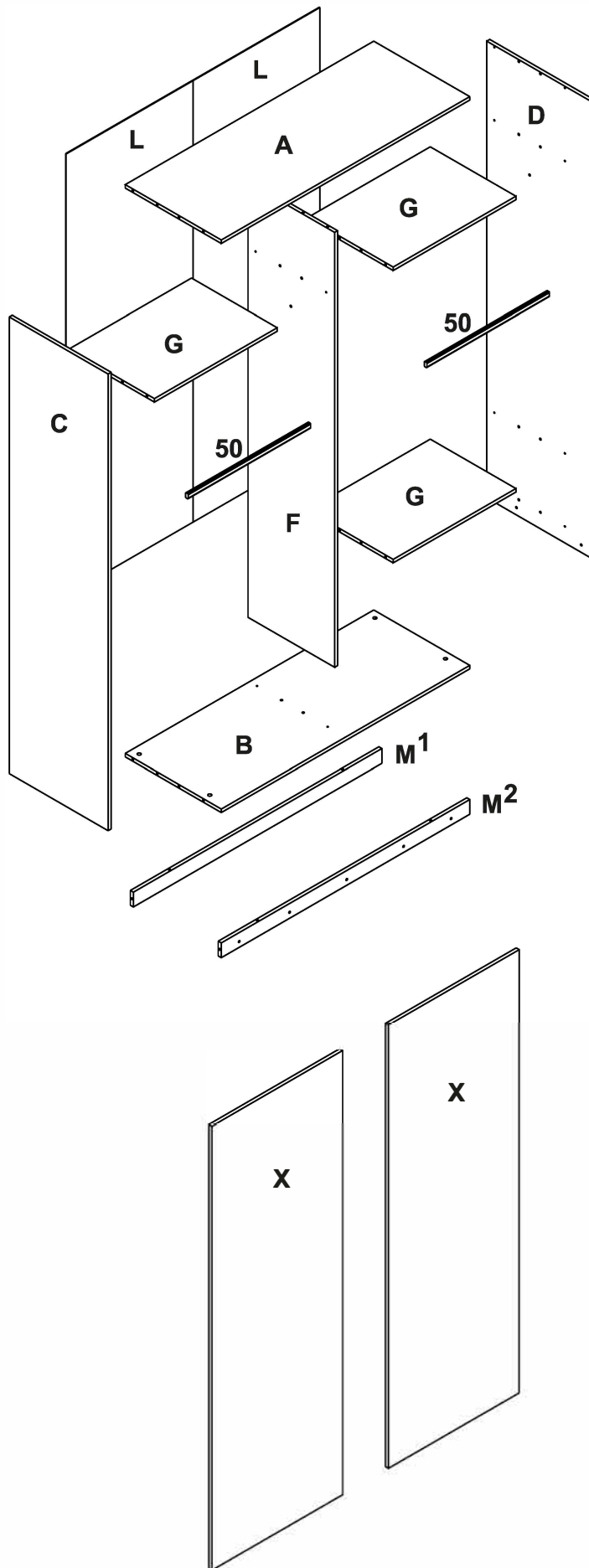


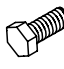



1  x24	2  x24	3  8x35 x32	4  x24	5  x100	6  x4
31  x3	8  3,5x15 x4	34  M6 x2	10  3,5x22 x4	35  x2	12  4x16 x24
13  3x16 x5	14  4x12 x31	25  L=1320 x1	26  L=1320 x1	29  L=2040 x3	30  L=2040 x1
16  x2	18  x2	19  x2	20  x2	21  x1	22  x1
33  M6x20 x2	50  L=644 x2	11  x1			

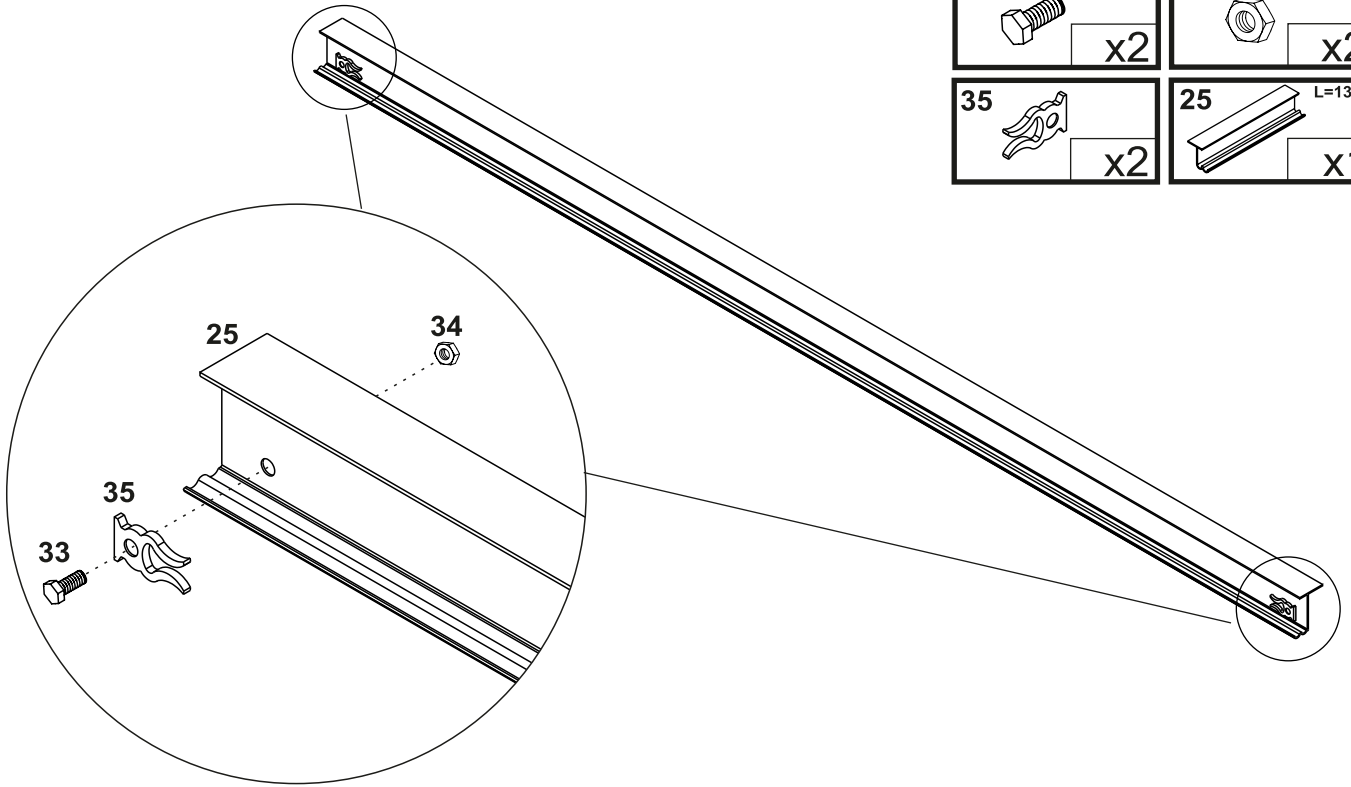
Czas mont. - 180 min.

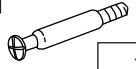



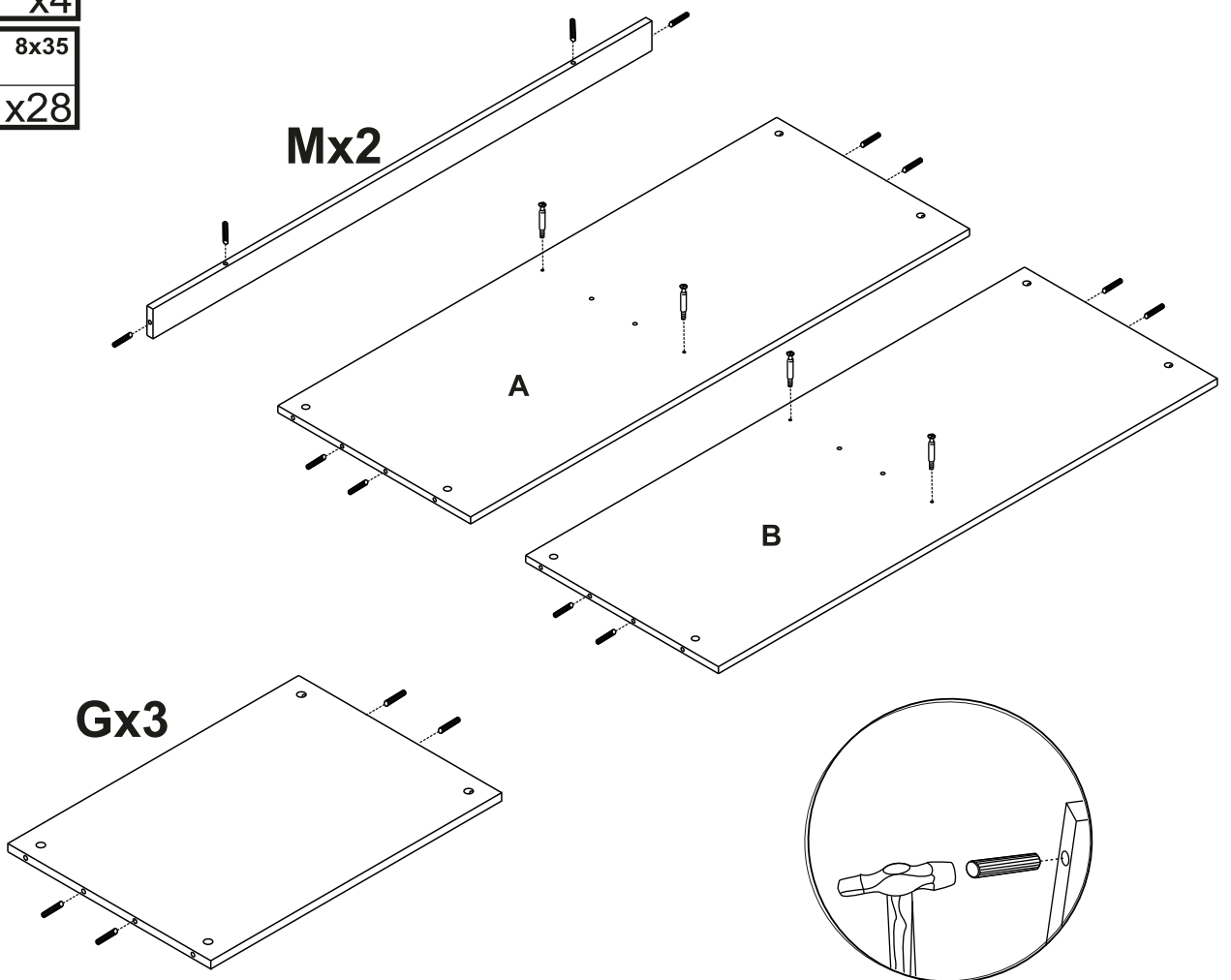


1

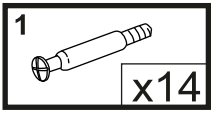
33	M6x20	34	M6
	x2		x2
35		25	L=1320
	x2		x1



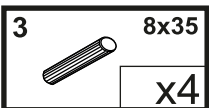
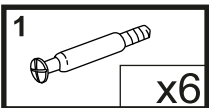
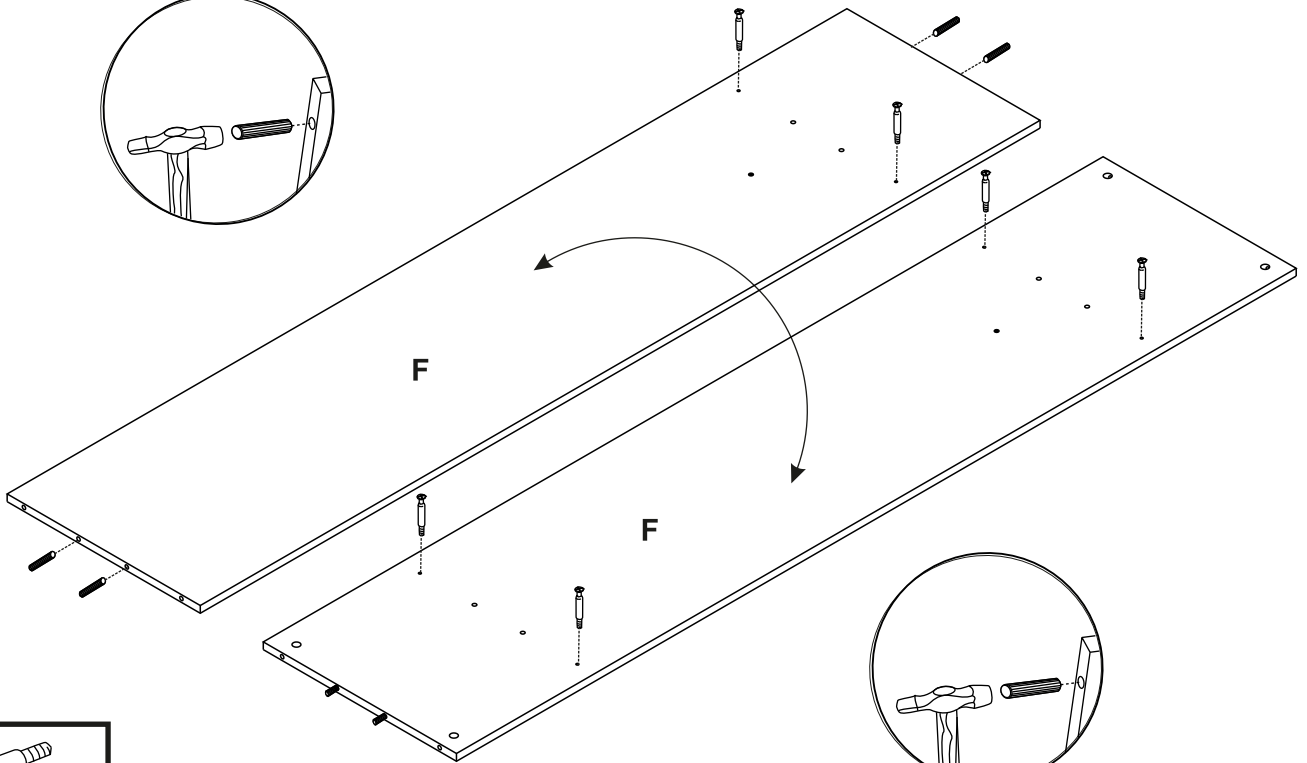
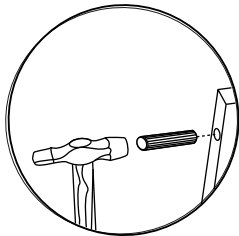
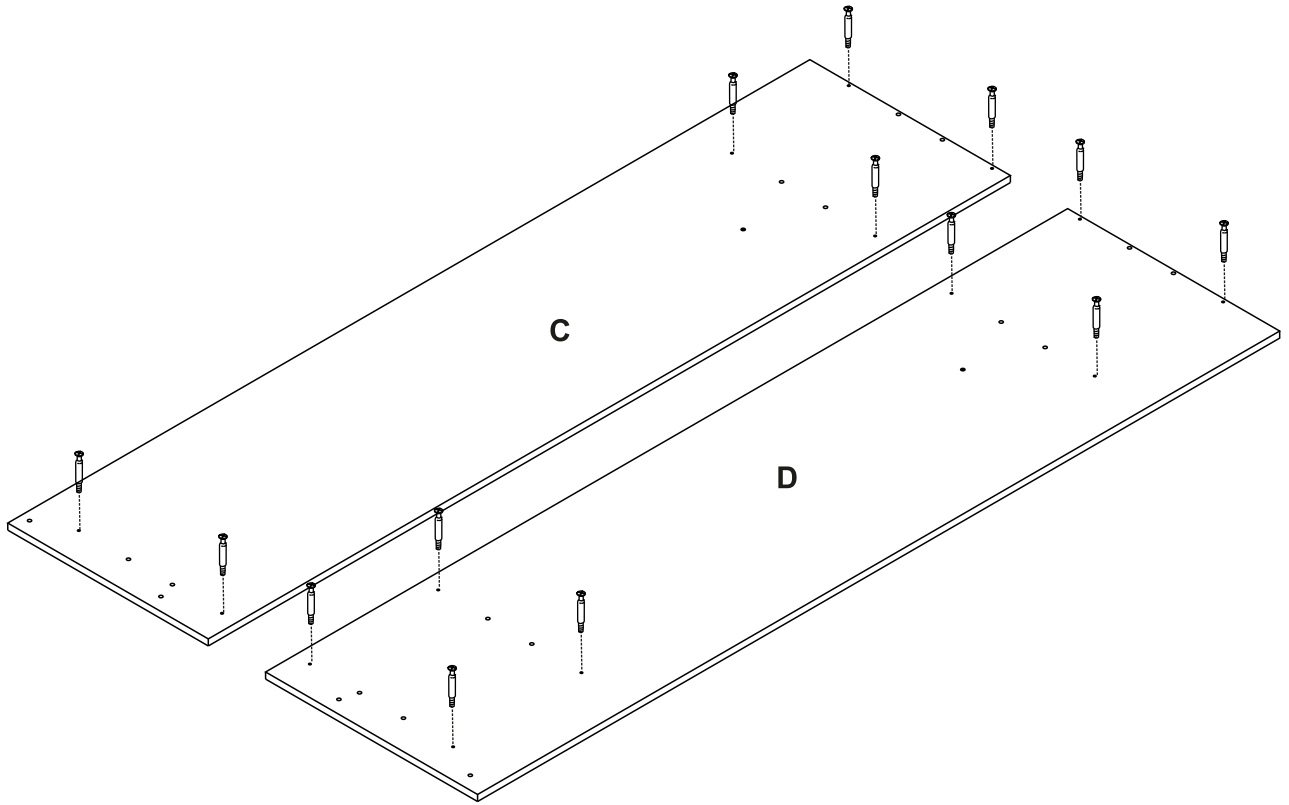
1		x4
3		8x35
		x28



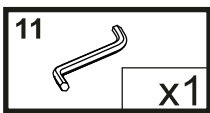
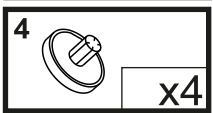
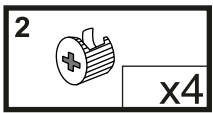
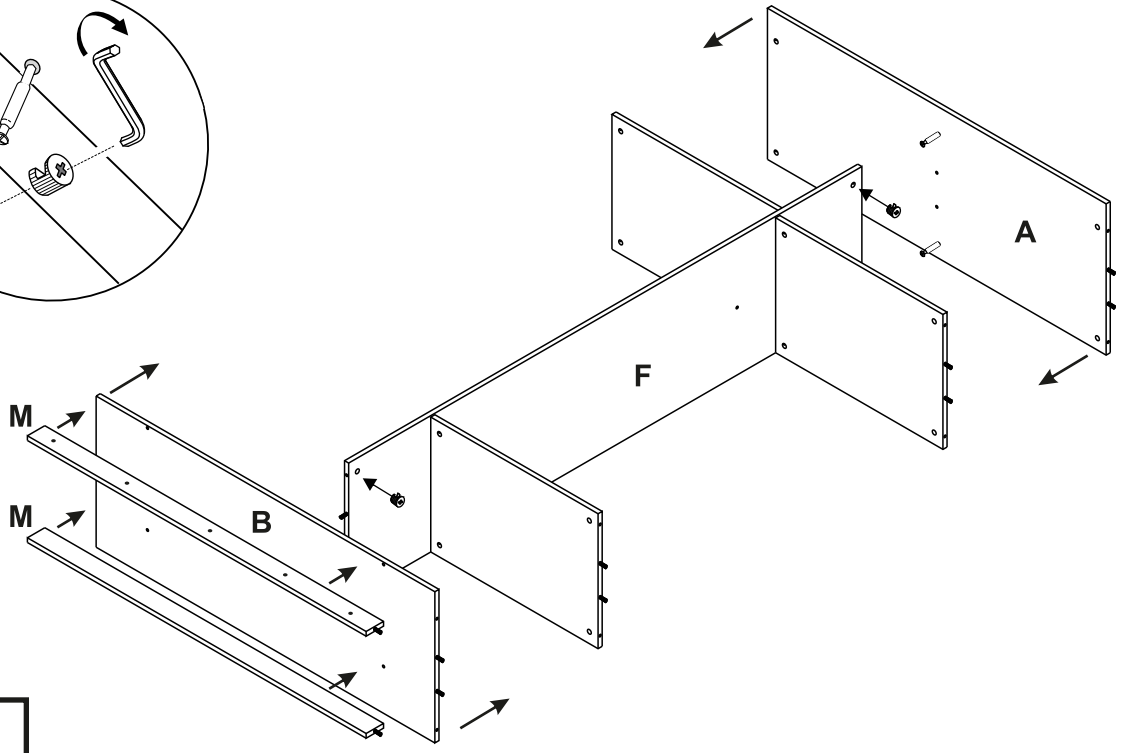
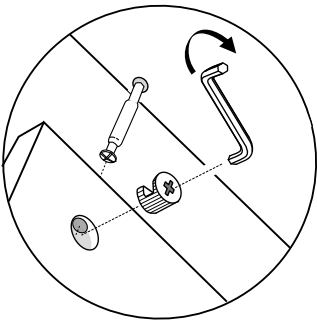
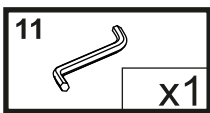
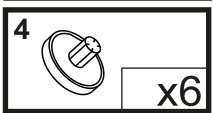
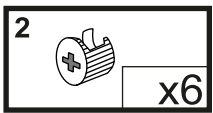
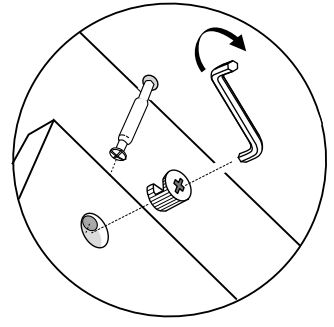
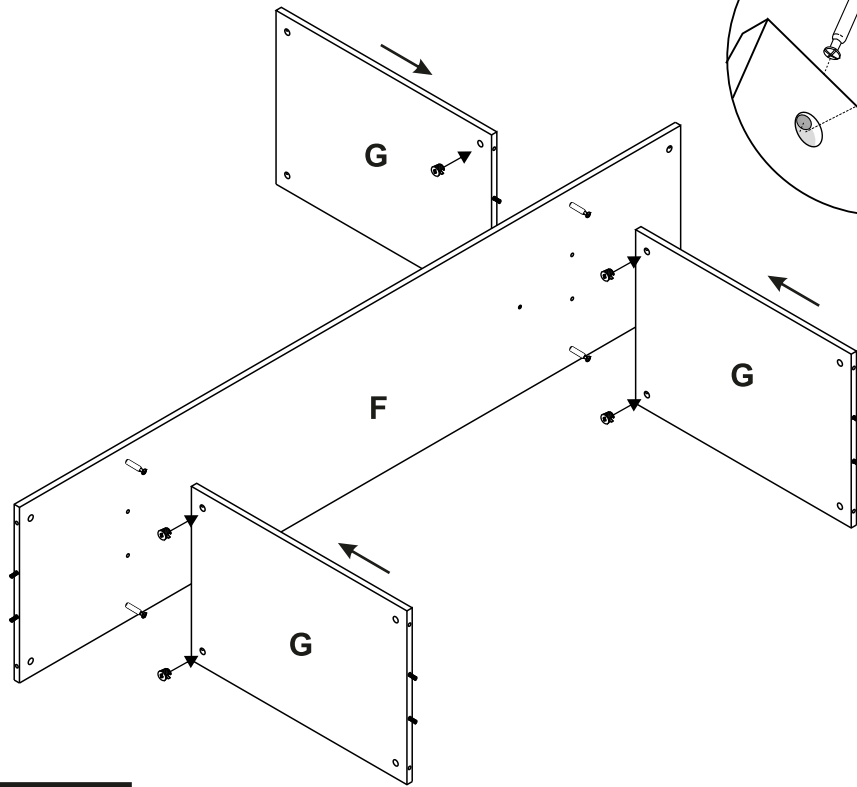
2



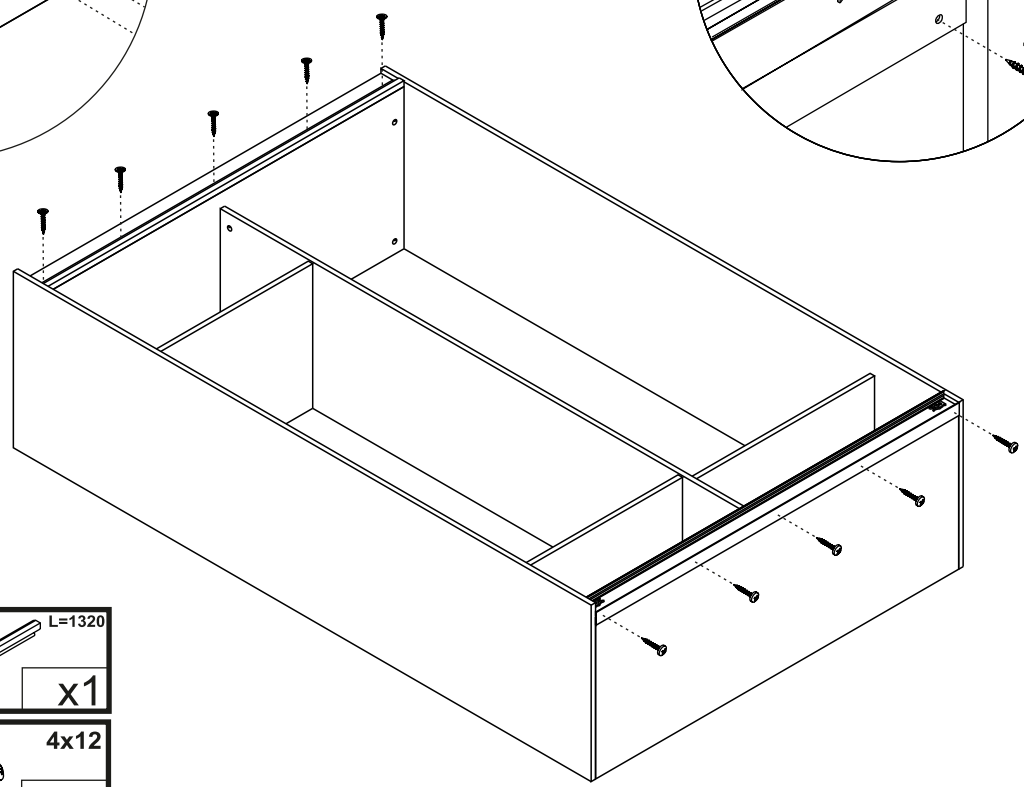
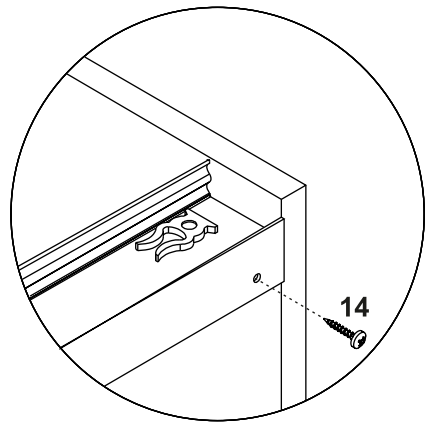
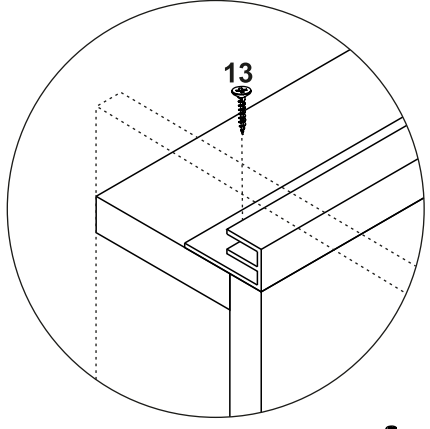
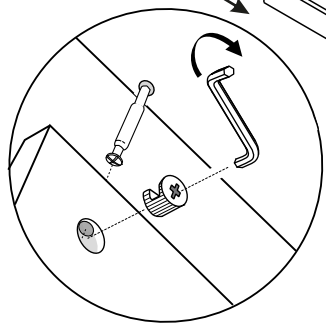
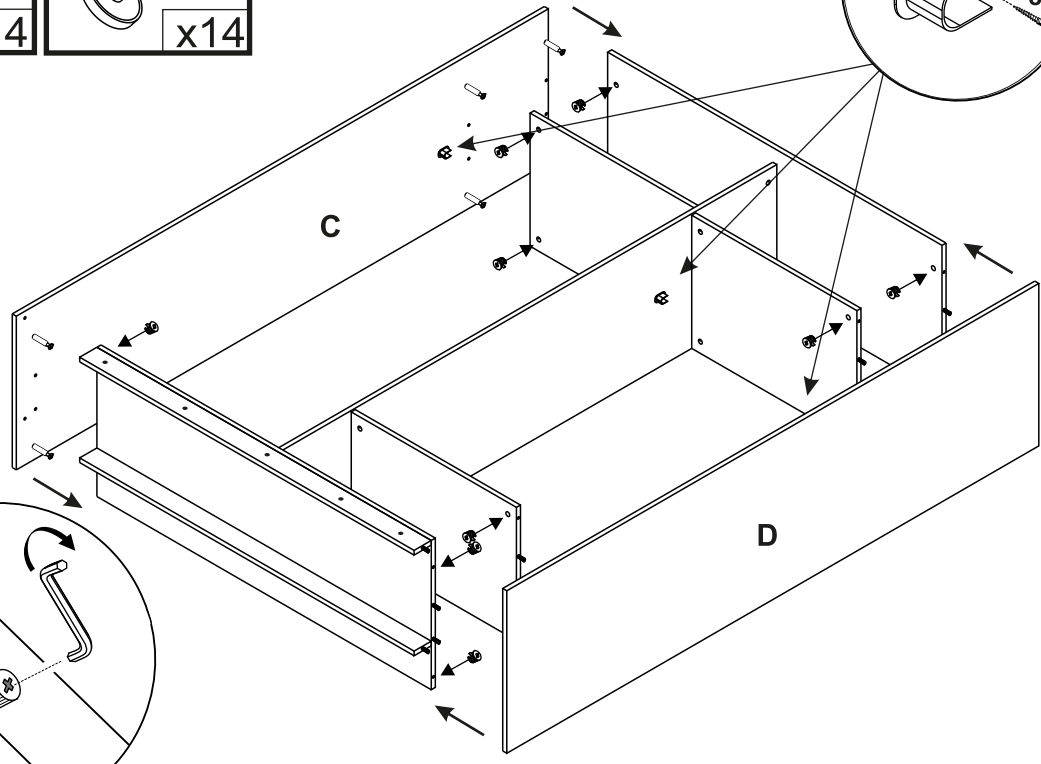
3



4

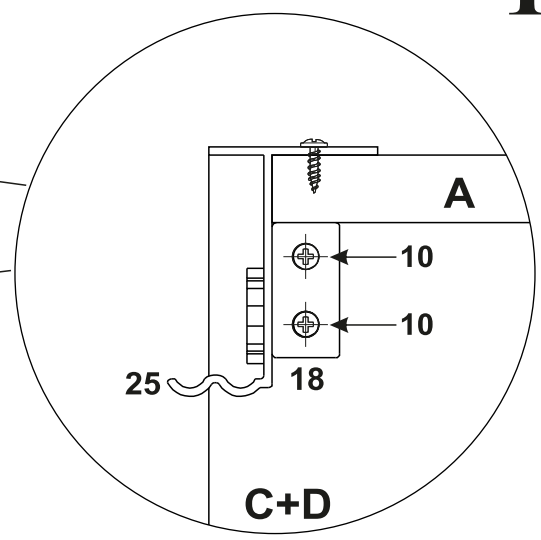
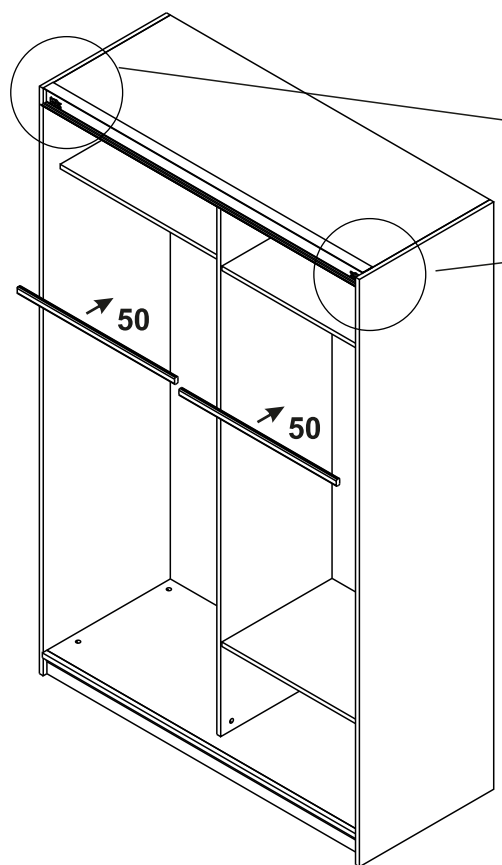
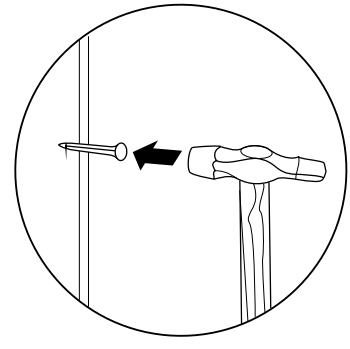
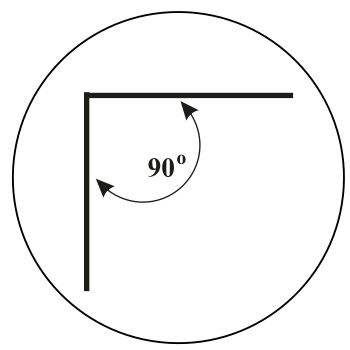
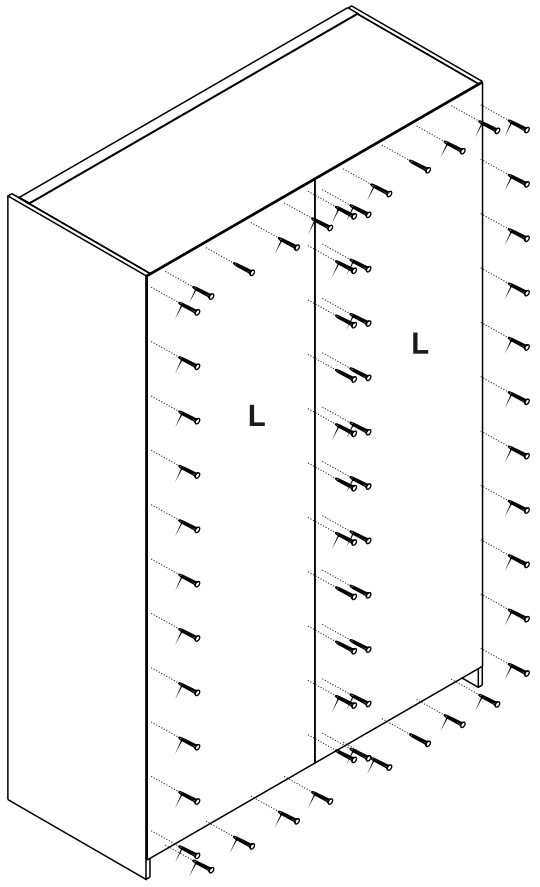


- | | | | | | |
|---|--------|---|-----|----|----|
| 8 | 3,5x15 | 6 | x4 | 11 | x1 |
| | | | | | |
| 2 | x14 | 4 | x14 | | |
| | | | | | |



- | | | | |
|----|--------|----|--------|
| 25 | L=1320 | 26 | L=1320 |
| | x1 | | x1 |
| 13 | 3x16 | 14 | 4x12 |
| | x5 | | x5 |

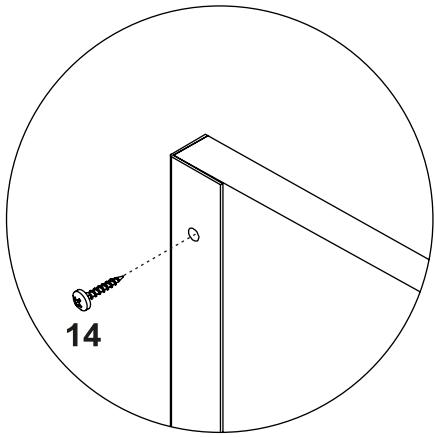
5
x100



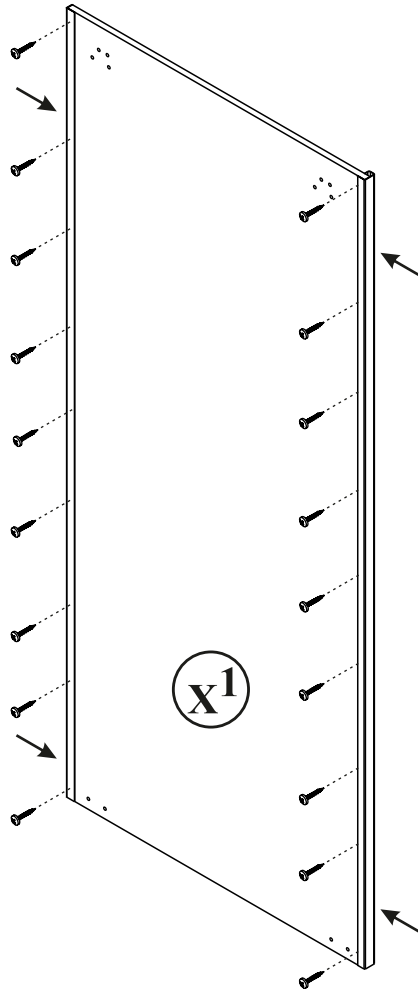
18
x2

50 L=644
x2

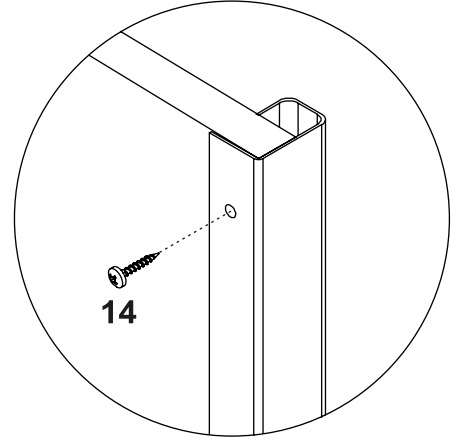
10 3,5x22
x4



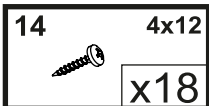
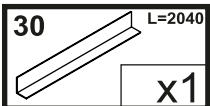
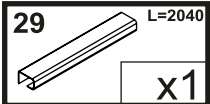
14



X1

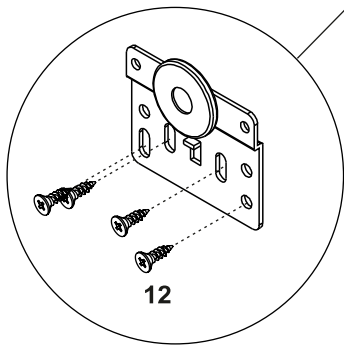


14

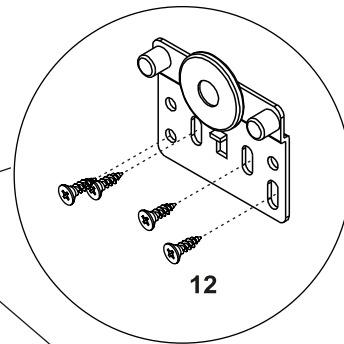


11

12

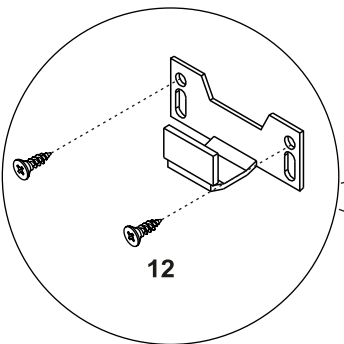
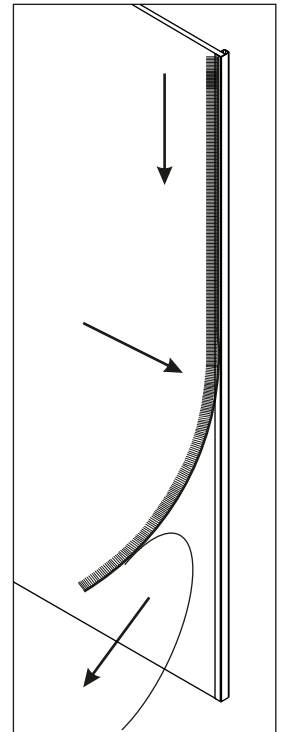
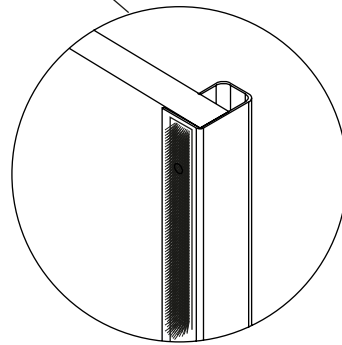


12

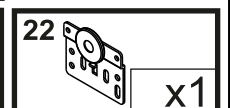
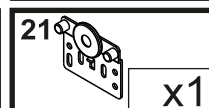
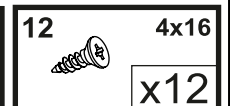
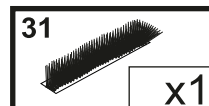
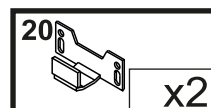


12

X1



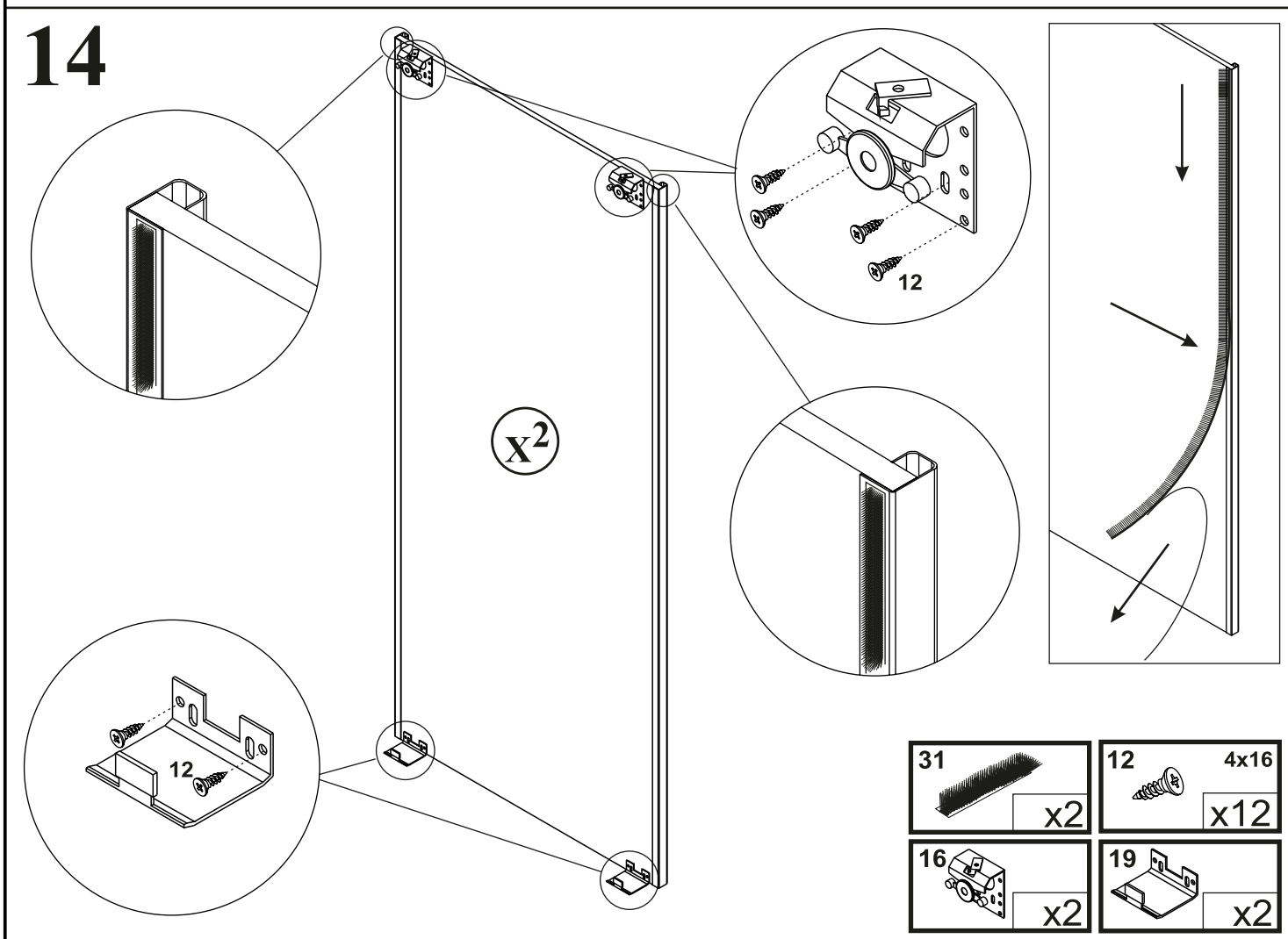
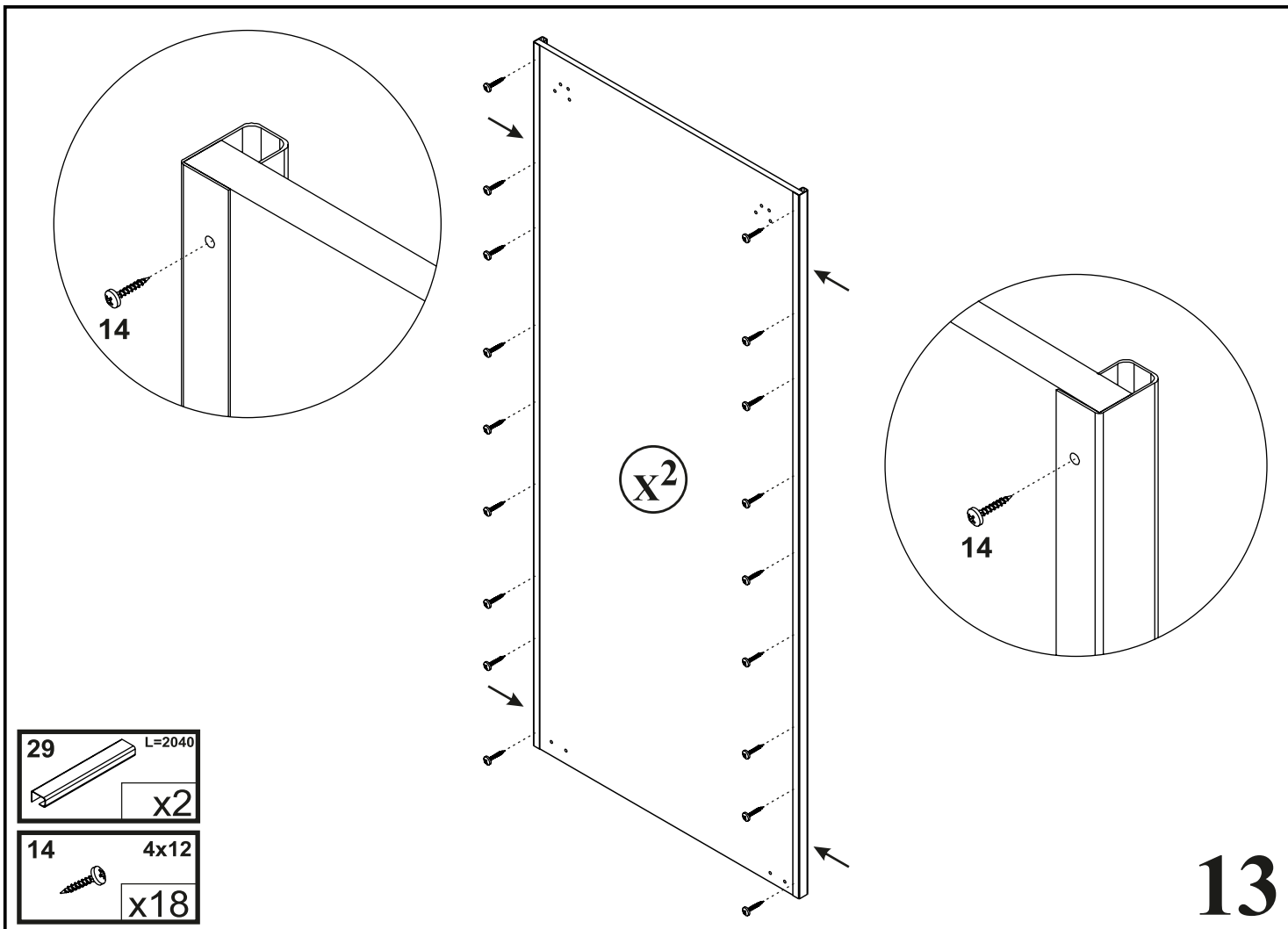
12

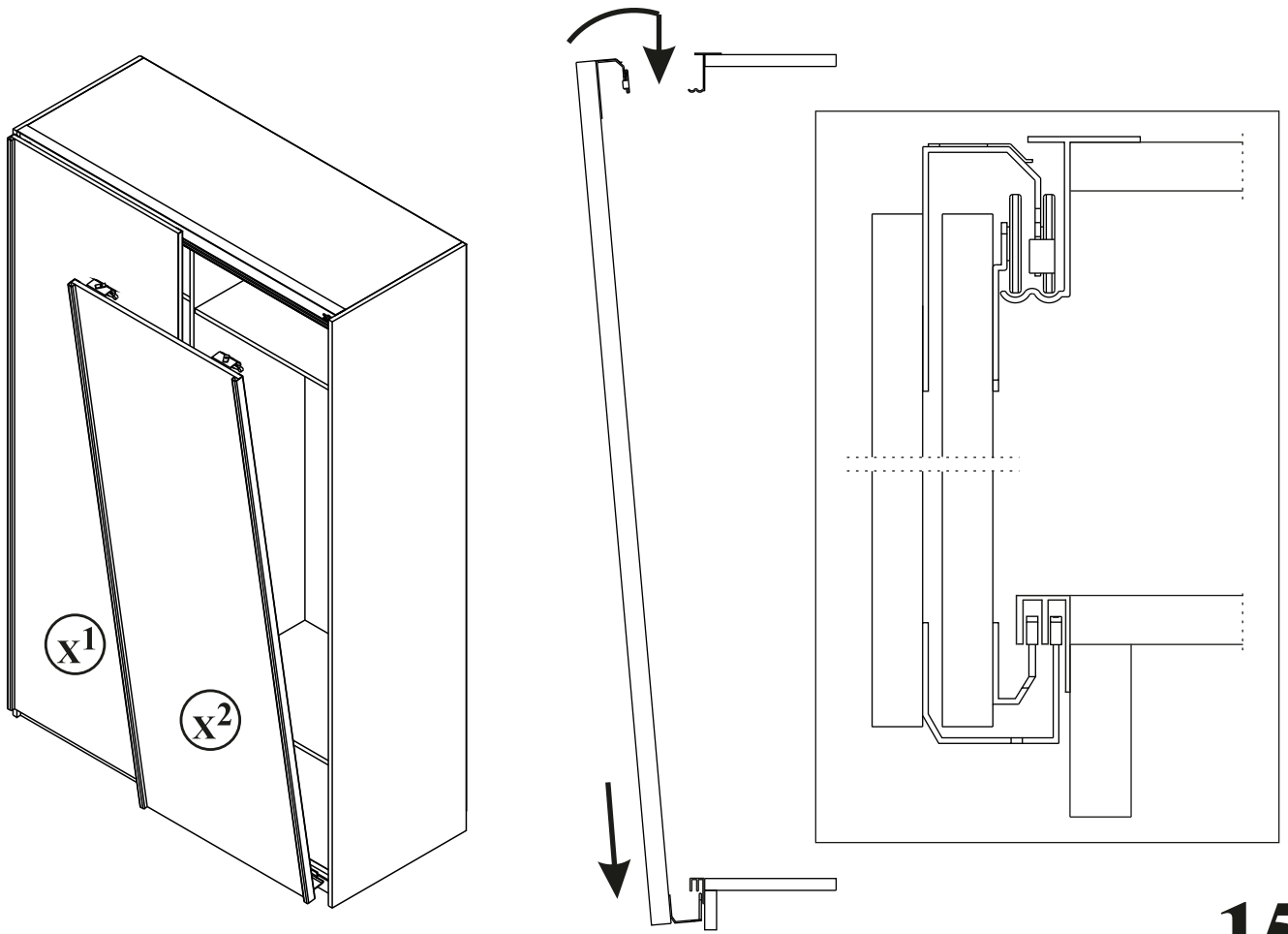


x2

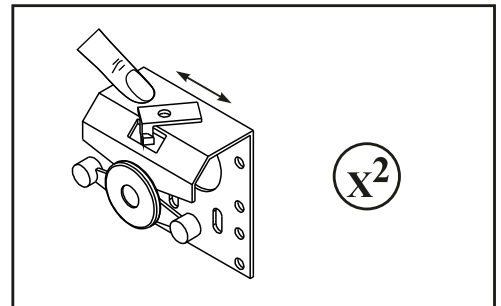
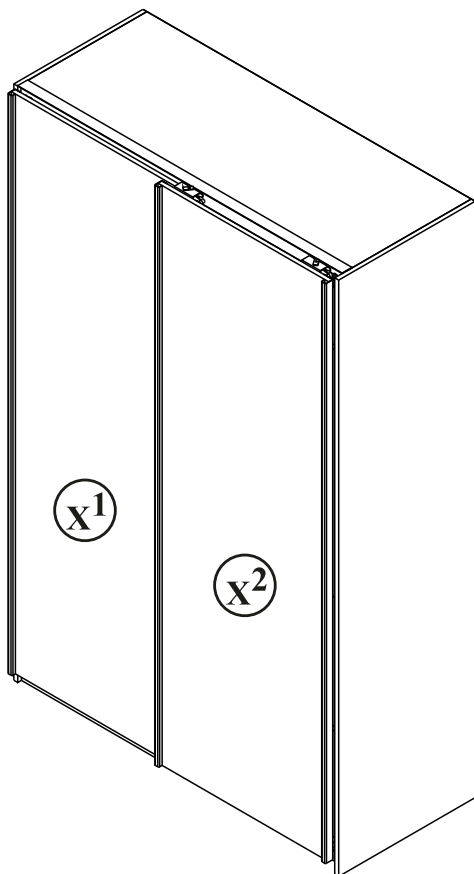
x1

x1





15



16

