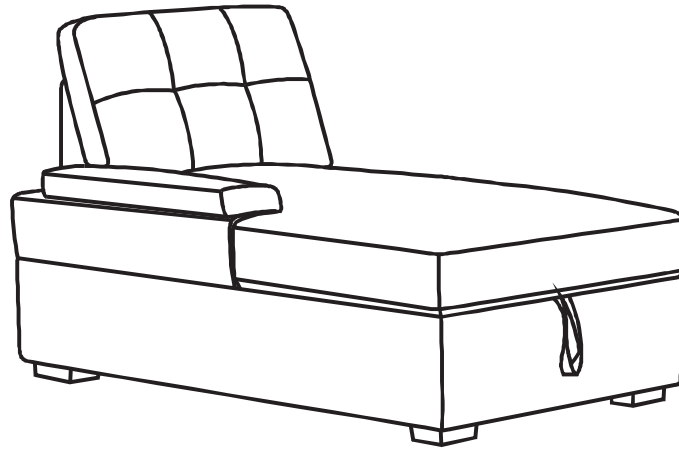
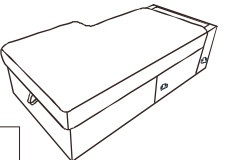
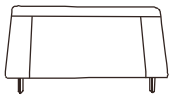
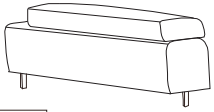



ASSEMBLY INSTRUCTION

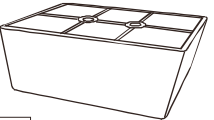



ITEM NO.:F7222/F7333

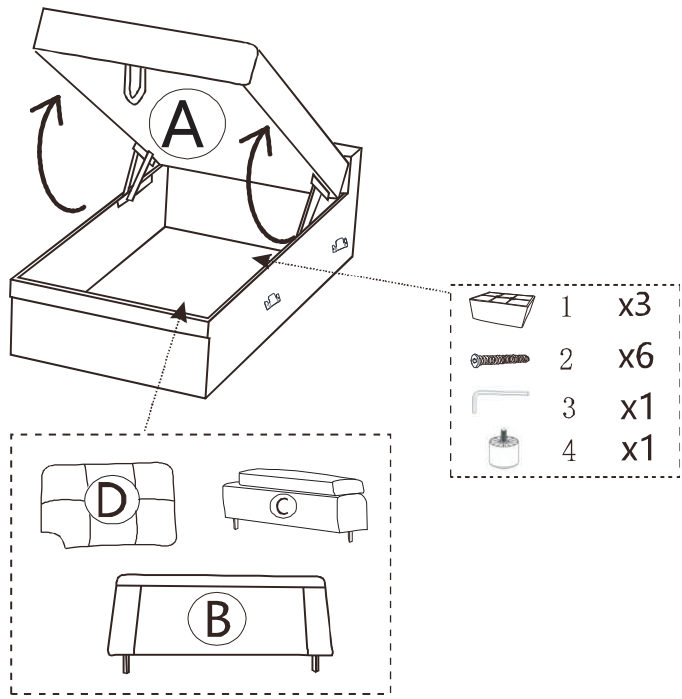


PARTS LIST

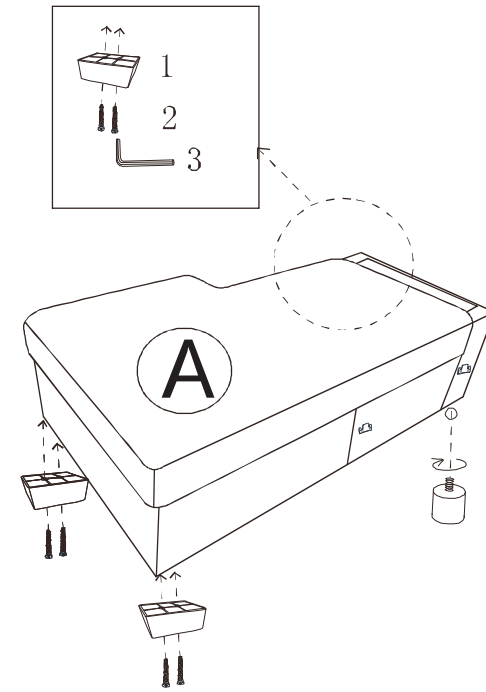
				
A	B	C	D	
x1	x1	x1	x1	

HARDWARE LIST

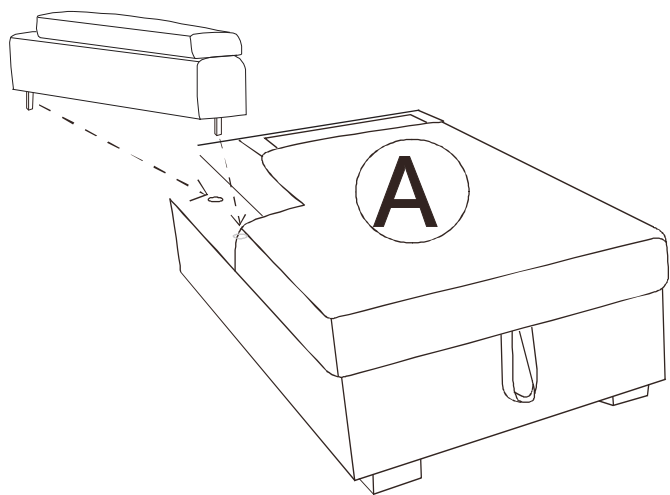
				
1	2	3	4	
x3	x6	x1	x1	



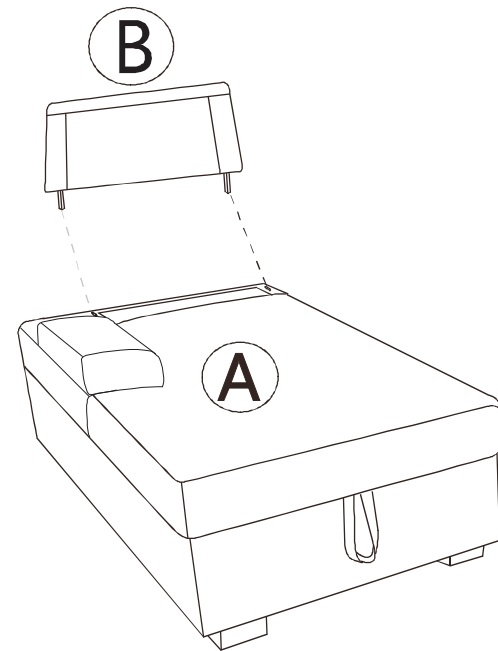
Step1



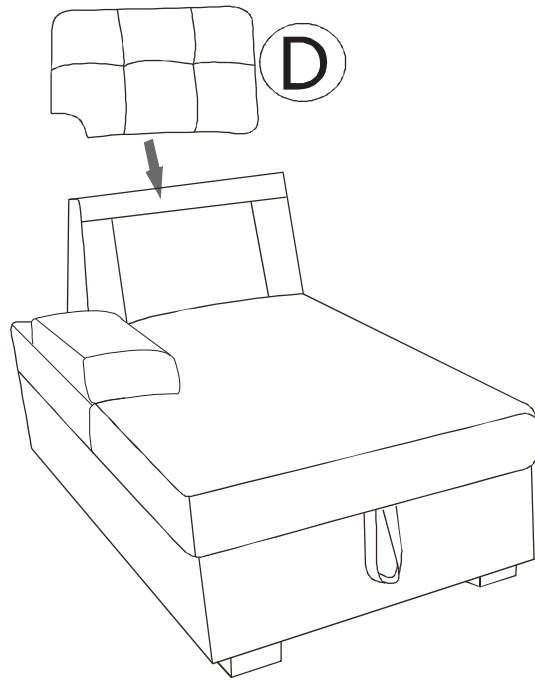
Step2



Step3



Step4



Step5

