



BARN LIGHT

ELECTRIC COMPANY

INSTALLATION INSTRUCTIONS THE KAO FLUSH MOUNT

Thank you for purchasing from Barn Light Electric, America's leading manufacturer of hand-crafted shades and exclusive source for porcelain enamel lighting! For questions or concerns about your purchase, please contact us!

INS-0050 REV A (HWK-0061)

IMPORTANT

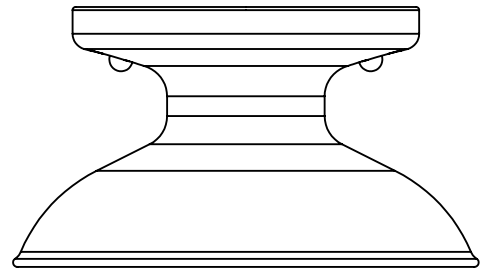
Read all instructions before assembly. Installation is to be done by a qualified professional. **For wet locations, junction between the mounting surface and luminaire must be sealed with caulking.**

CAUTION: Risk of fire, this product must be installed in accordance with the applicable installation code by a person familiar with the construction and operation of the product and the hazards involved.

INSTRUCTIONS

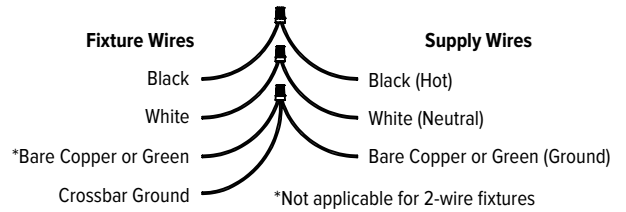
1. Disconnect power at the electrical panel before installation.
2. Thread 3/4" screws (A) into outside hole of crossbar as shown. Do not tighten.
3. Secure crossbar (B) to junction box (C) using two mounting screws (D).
NOTE: Mounting screws (D) not included.
4. Temporarily place fixture (E) flush to ceiling, aligning holes with the screw (A) holes. Adjust screws (A) so that approximately 1/4" of the screw protrudes through fixture (E) hole.
5. Use wire nuts (F) to connect power supply to the black wire and neutral wire to the white wire. **NOTE: Wire nuts (F) not included.**
6. Attach ground wire (G) to the crossbar (B), green wire or bare wire.
7. Use provided ball nuts (H) to secure fixture (E) flush to the ceiling.

ALTERNATE FIXTURE DRAWINGS



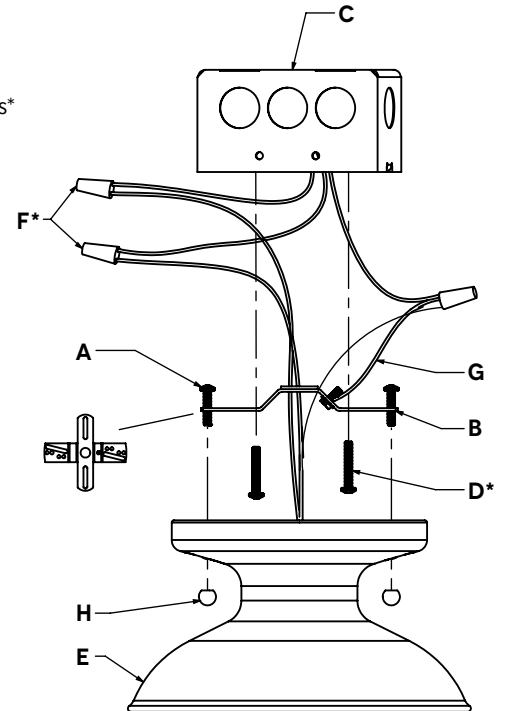
The Kao
Flush Mount

WIRING DIAGRAM



THE KAO FLUSH MOUNT

- A. Screws
- B. Crossbar
- C. Junction Box
- D. Mounting Screws*
- E. Fixture
- F. Wire Nuts*
- G. Ground Wire
- H. Ball Nuts



***IMPORTANT:** Mounting screws and wire nuts not included in hardware kit. Standard screw sizes include: 6-32, 8-32, 10-24 and 10-32.