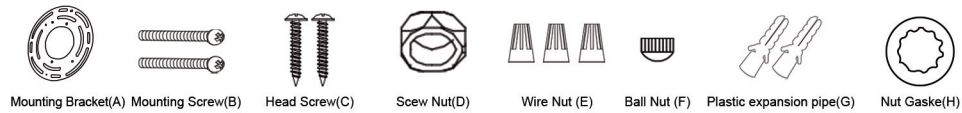


Hardware Package (included):



ASSEMBLY AND INSTALLATION INSTRUCTIONS

WARNING: TO AVOID RISK OF ELECTRICAL SHOCK, BE SURE TO SHUT OFF POWER BEFORE INSTALLING OR SERVICING THIS FIXTURE.

NOTES: 1. Before installing, consult local electrical codes for wiring and grounding requirements.
2. READ AND SAVE THESE INSTRUCTIONS.

Installation Steps

Turn off the power at fuse or circuit box

Assembly of the fixture body

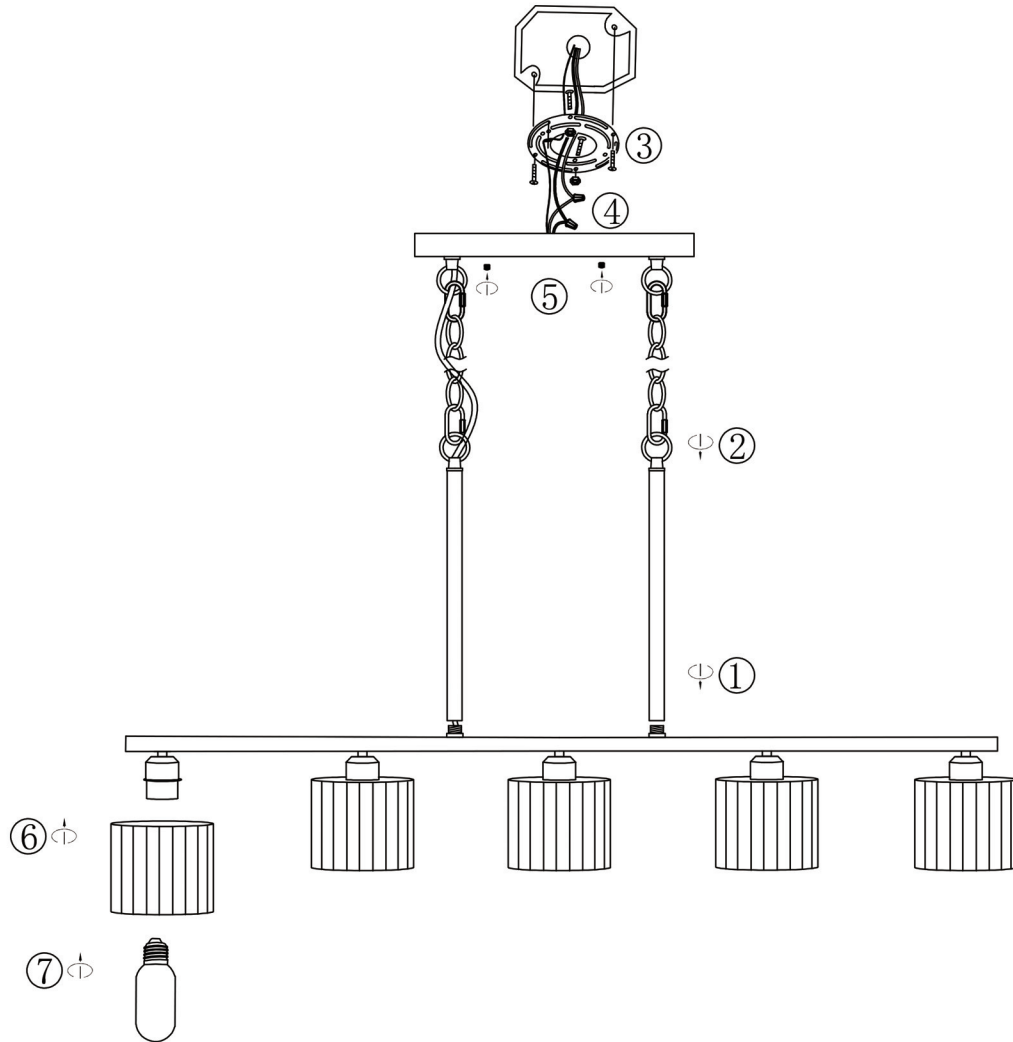
Check if all the accessories are included.

Step:01-02. Connect the ceiling plate and lamp body with a hanging chain and connecting rod.

Step:03. Assemble the mounting bracket to the wall with the expansion screw pipe and screw.

Step:04-05. Connect the lamp wire to the power supply with the connecting terminal. Fix the canopy with the ball nuts.

Step:06-07. Install the glass lamp shade and bulbs(not included).



Attention

1. Please install it by a licensed electrician.
2. Due to the different display, the actual color can be different from the image.
3. Due to the manual measurement of lamp body size, there may be a deviation of 1/2 inch
4. If there any quality problem, missing parts or other something wrong of the item, please feel free to contact us and we will try our best to help you.