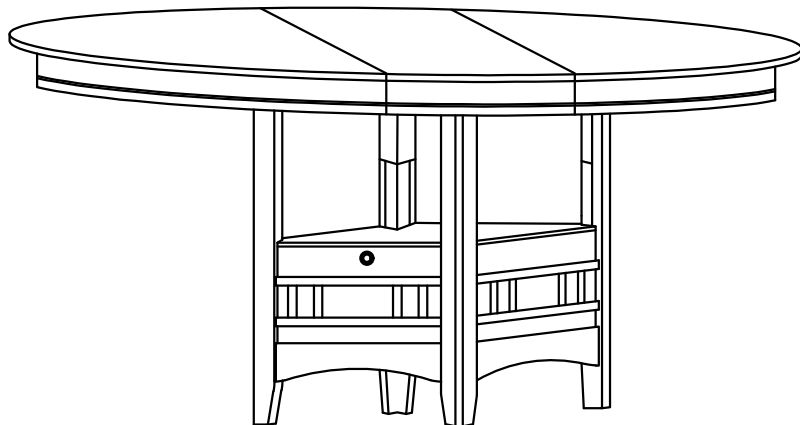


ASSEMBLY INSTRUCTIONS



Fine Furniture for every stage of life

Dining Table

ASSEMBLY INSTRUCTIONS

ASSEMBLY TIPS:

1. Remove hardware from box and sort by size.
2. Please check to see that all hardware and parts are present prior to start of assembly.
3. Please follow attached instructions in the same sequence as numbered to assure fast & easy assembly.



WARNING!

1. Don't attempt to repair or modify parts that are broken or defective. Please contact the store immediately.
2. This product is for home use only and not intended for commercial establishments.



ASSEMBLY TIME

15 MINUTES

PARTS IDENTIFICATION

A SIDE PANEL WITH EXTRA CLEAT



1PC

B SIDE PANEL



2PCS

C DOOR PANEL



1PC

D TOP



1PC

E LEAF



1PC

F LEG



4PCS

G TOP PANEL



1PC

H BOTTOM PANEL



1PC

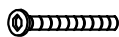
HARDWARE IDENTIFICATION

1 HEX NUT
(Ø5/16" x 1/2" - RBW)



4PCS

2 BOLT
(Ø1/4" x 1-9/16" - RBW)



14PCS

3 LOCK WASHER
(Ø5/16" - RBW)



18PCS

4 SMALL FLAT WASHER
(Ø5/16" x 19mm - RBW)



14PCS

5 BIG FLAT WASHER
(Ø5/16" x 22mm - RBW)



4PCS

6 FLAT HEAD SCREW
(Ø3.5 x 9/16" - RBW)



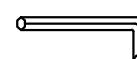
4PCS

7 DOOR HINGE
(120mm - RBW)



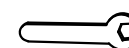
1PC

8 ALLEN WRENCH
(M4 x 59mm - RBW)



1PC

9 WRENCH
(M4 x 50mm - RBW)



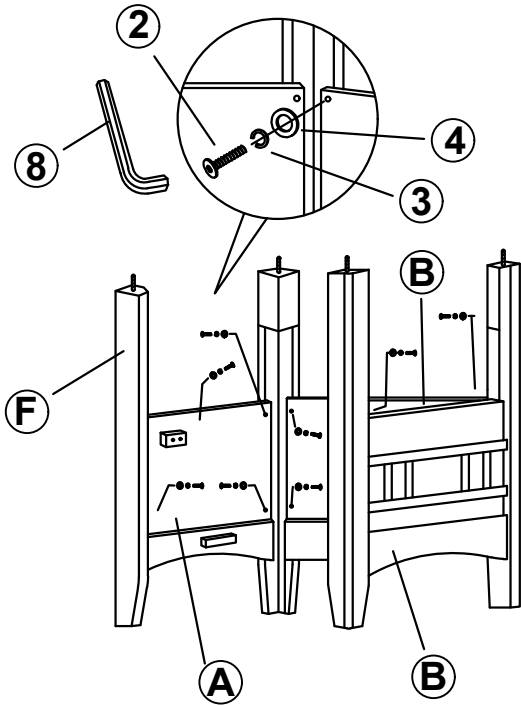
1PC

NOTE:

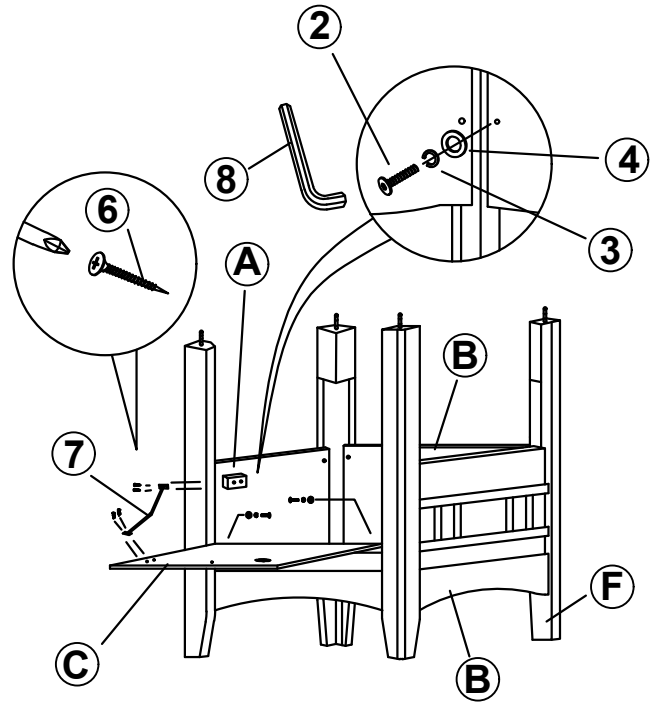
Phillips head screw driver is required in the assembly process; however, manufacturer does not provide this item.

ASSEMBLY INSTRUCTIONS

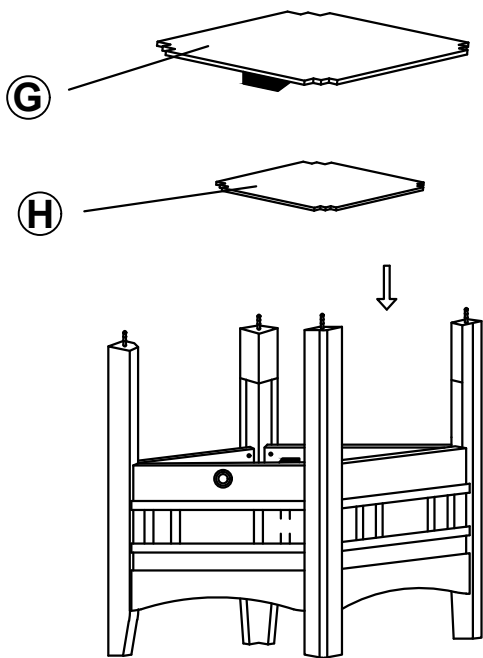
STEP 1



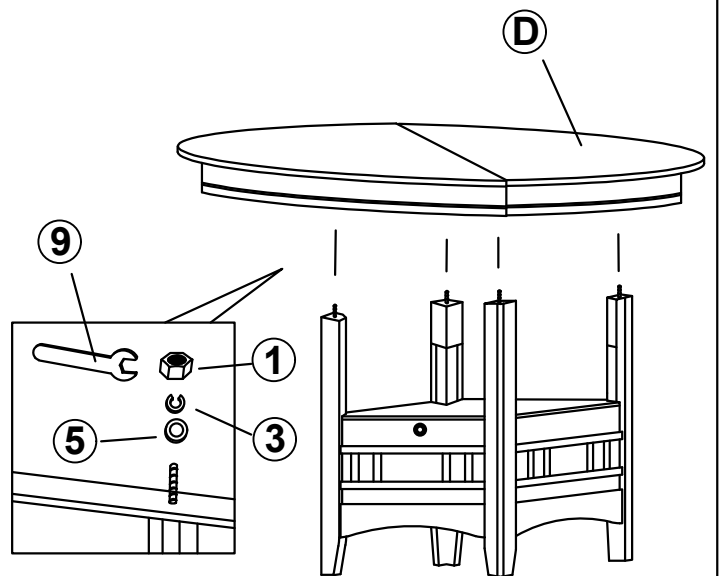
STEP 2



STEP 3

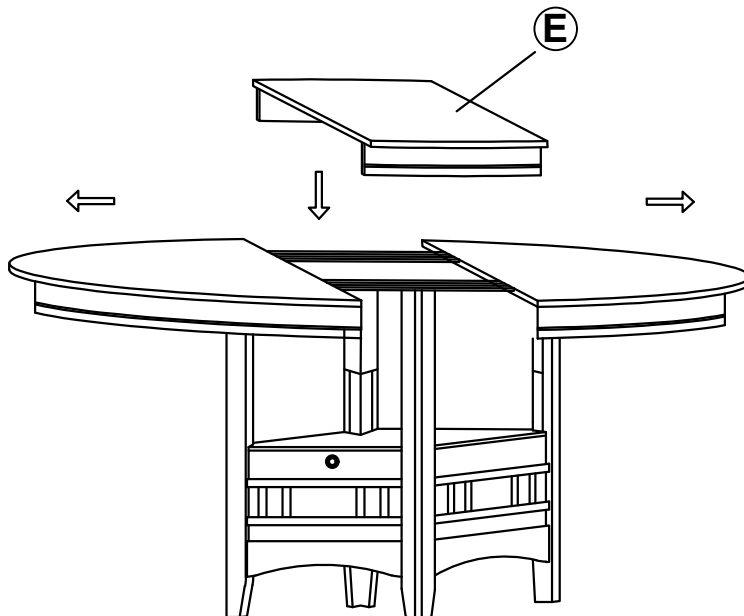


STEP 4

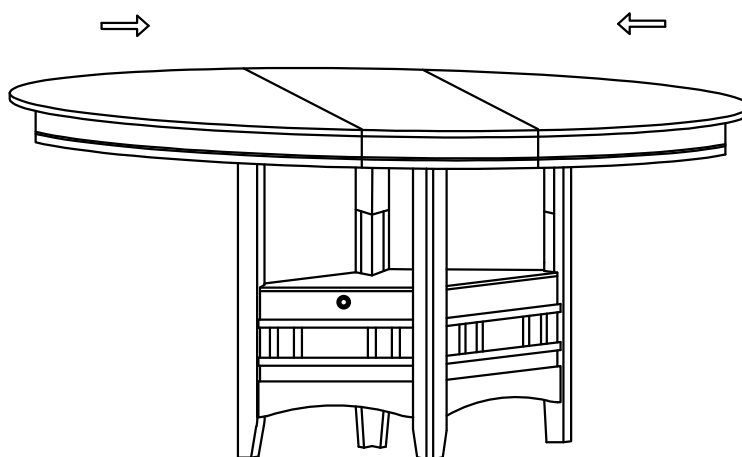


ASSEMBLY INSTRUCTIONS

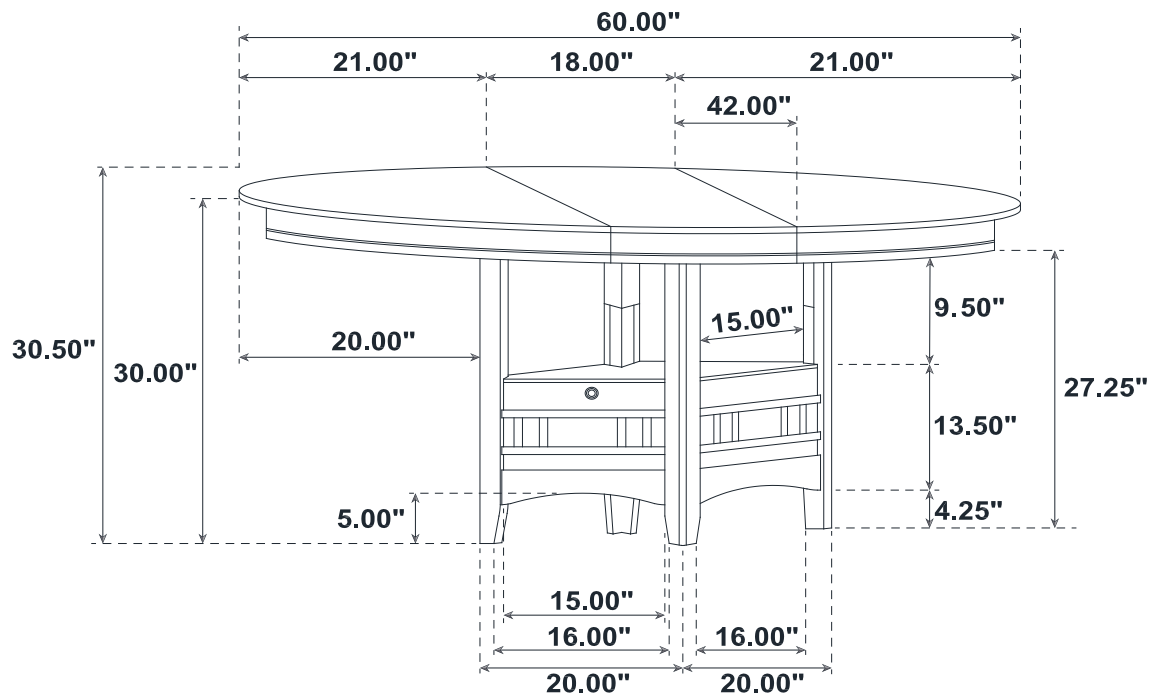
STEP 5



STEP 6 COMPLETE



Inner Size of Compartment : 15.00" W x 15.00" D x 9.00" H



Note: Dimension tolerance $\pm 5\%$