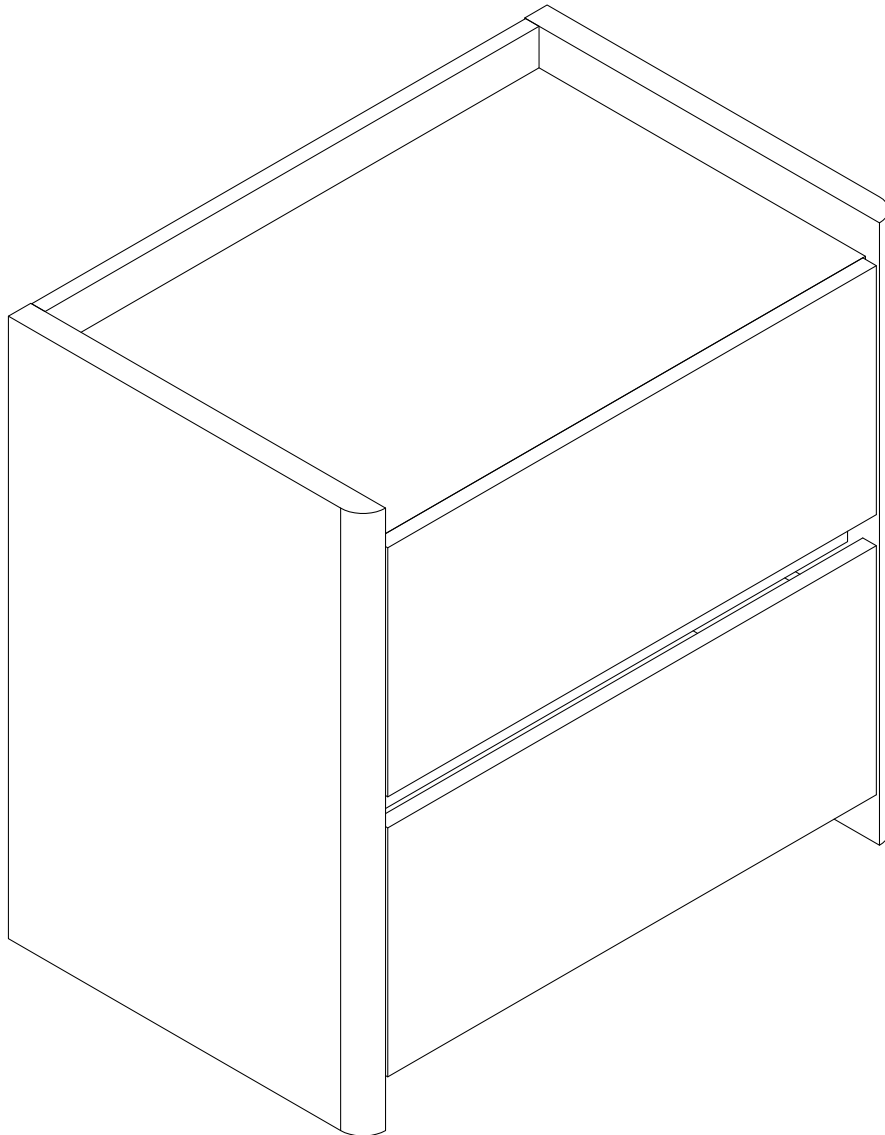




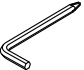







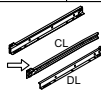
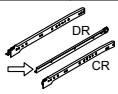


Assembly Instruction

We recommend that you refer to both this manual and the assembly video when assembling.

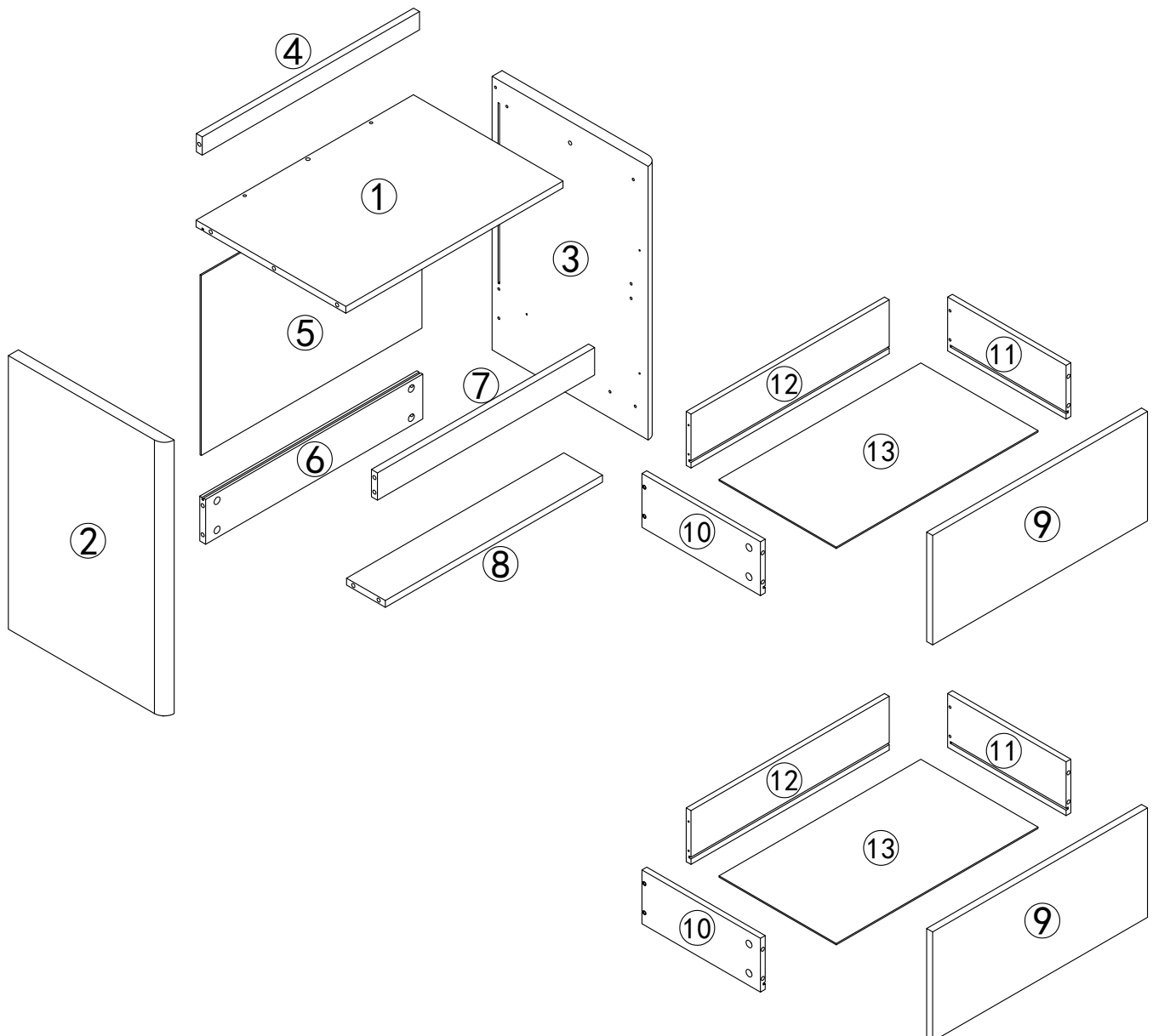
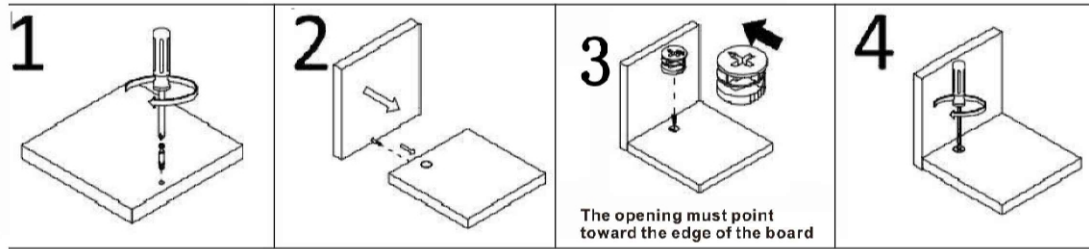


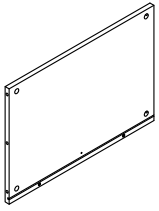
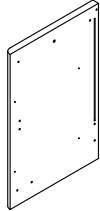
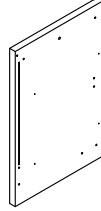
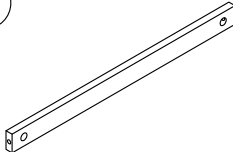
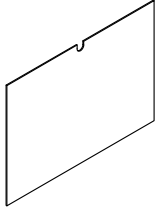
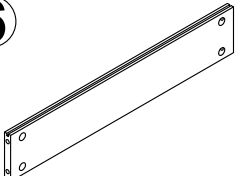
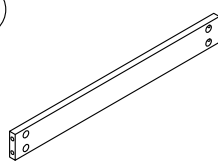
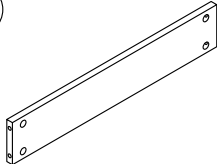
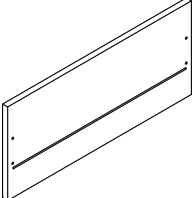
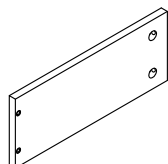
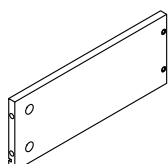
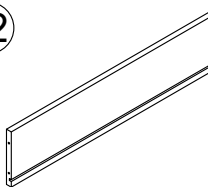
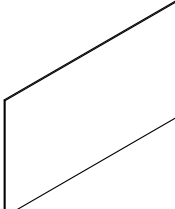
Please check for missing or damaged parts before installing. If there is anything we can help you with, please don't hesitate to contact us!

A	X26	B	X26	C	X20	D	X4	E	X1	F	X2	G	X3
													
M6x35mm				M3.5x12mm		M3x16mm		4mm		M5x40mm			
H	X1	I	X4	J	X9	K	X1	M	X1	L	X2	R	X2
													
M4x12mm				M4x35mm									

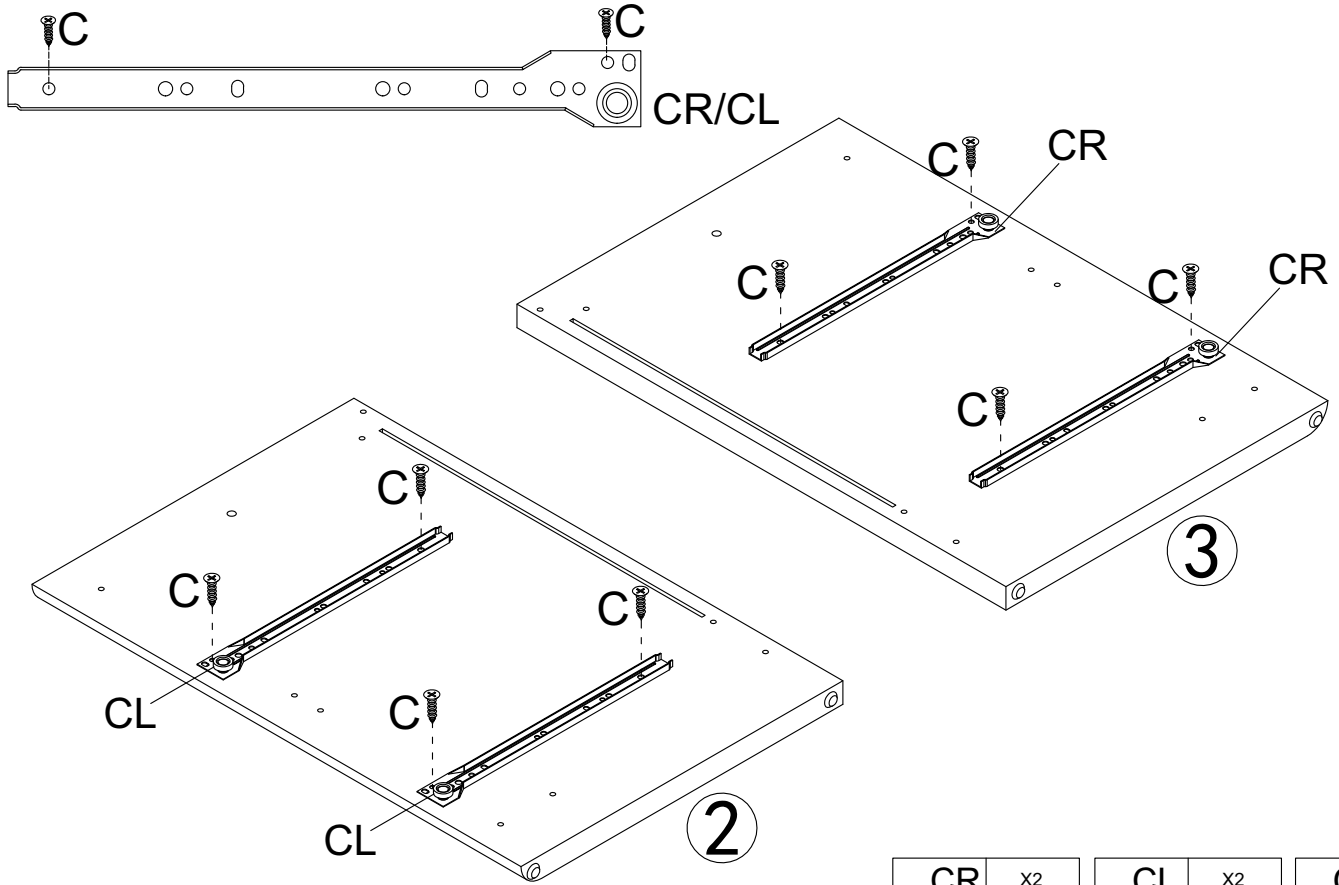
Cam Lock Fastening System




Insert the cam bolt into the hole first, then insert the cam lock and lock it.



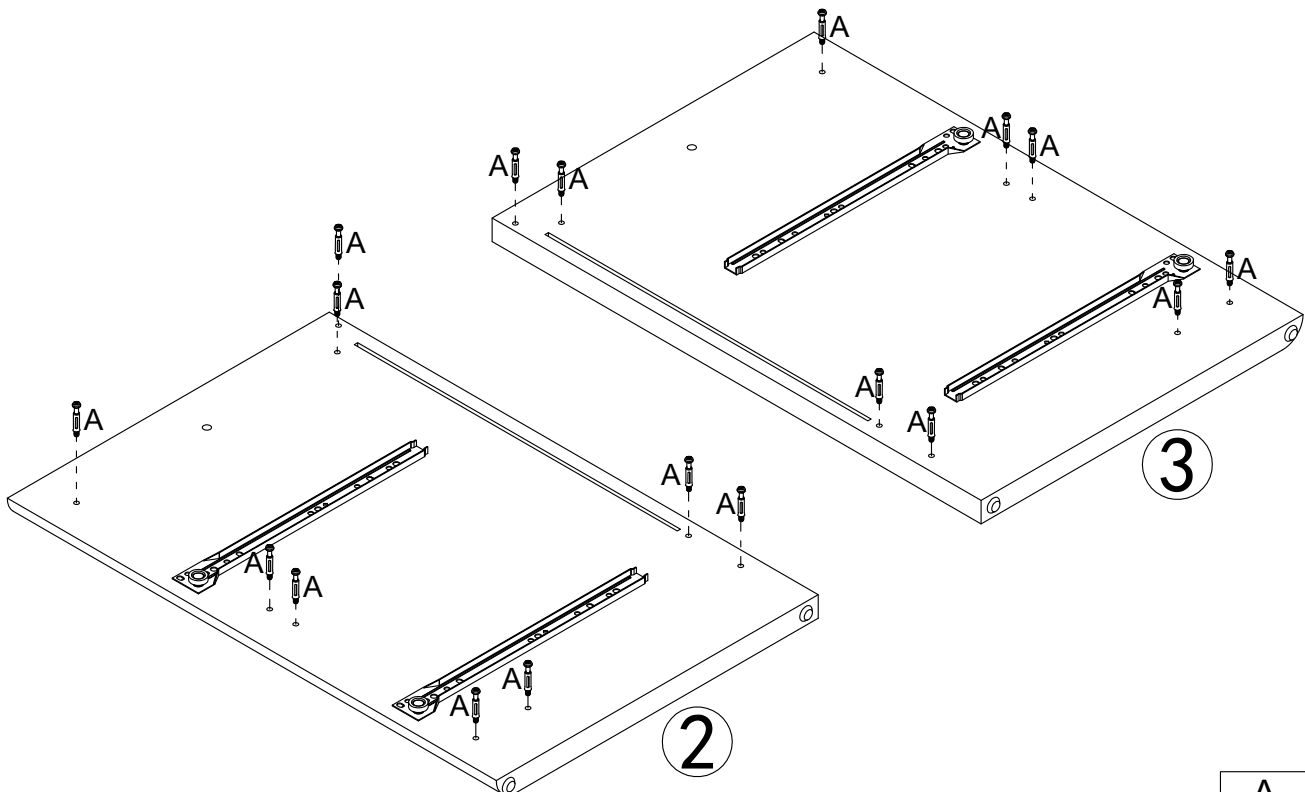
			
1PC	1PC	1PC	1PC
			
1PC	1PC	1PC	1PC
			
2PCS	2PCS	2PCS	2PCS
			
2PCS			


1



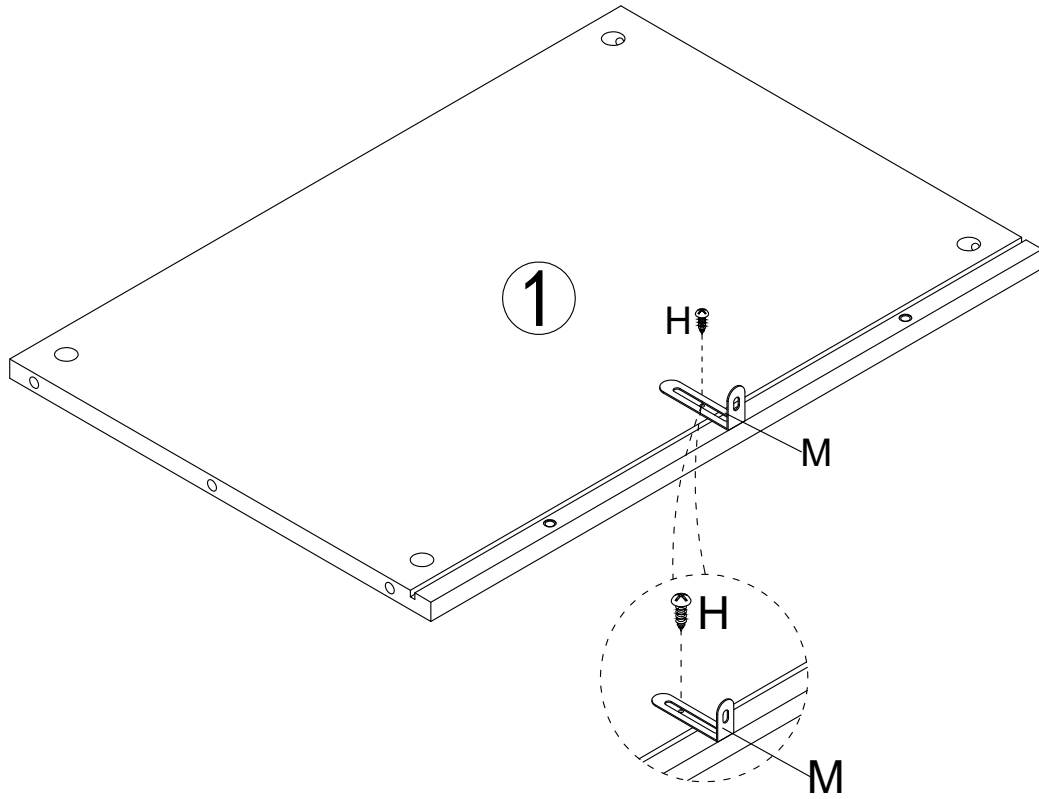
CR	x2	CL	x2	C	x8
					
M3.5x12mm					

2



A	x18
	
M6x35mm	

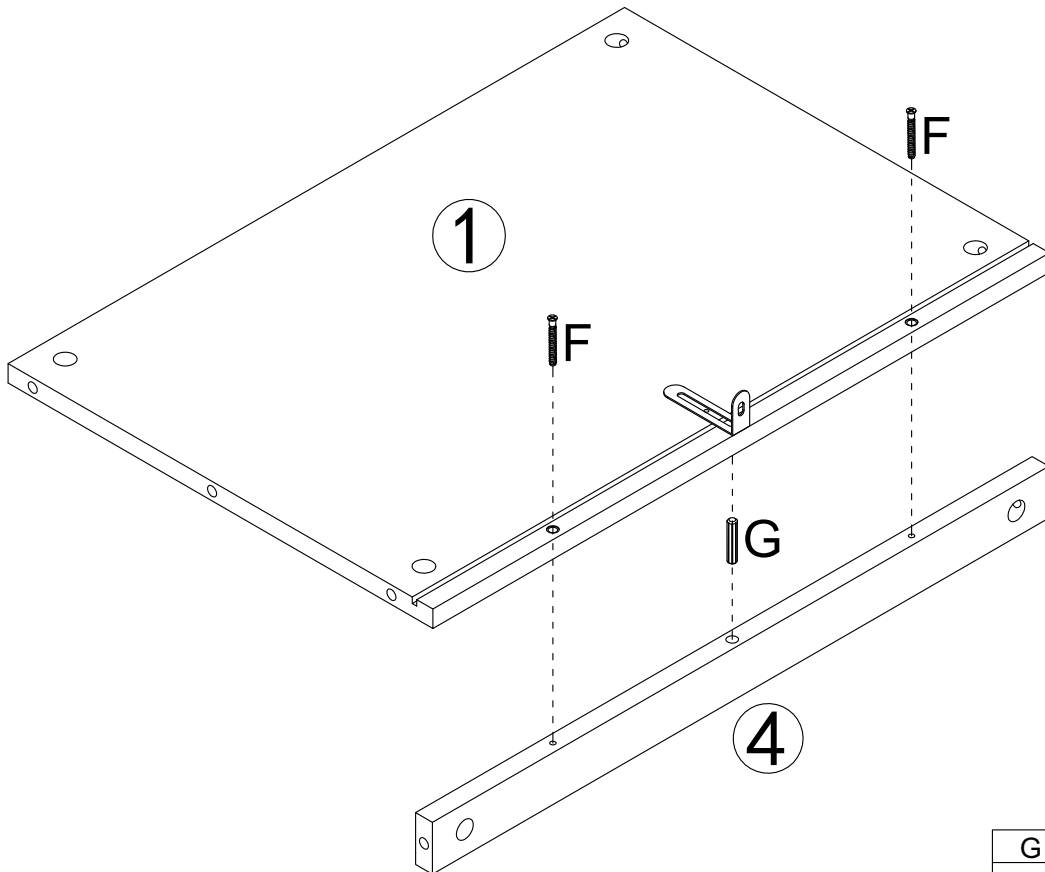
3



M	X1

H	X1
M4x12mm	

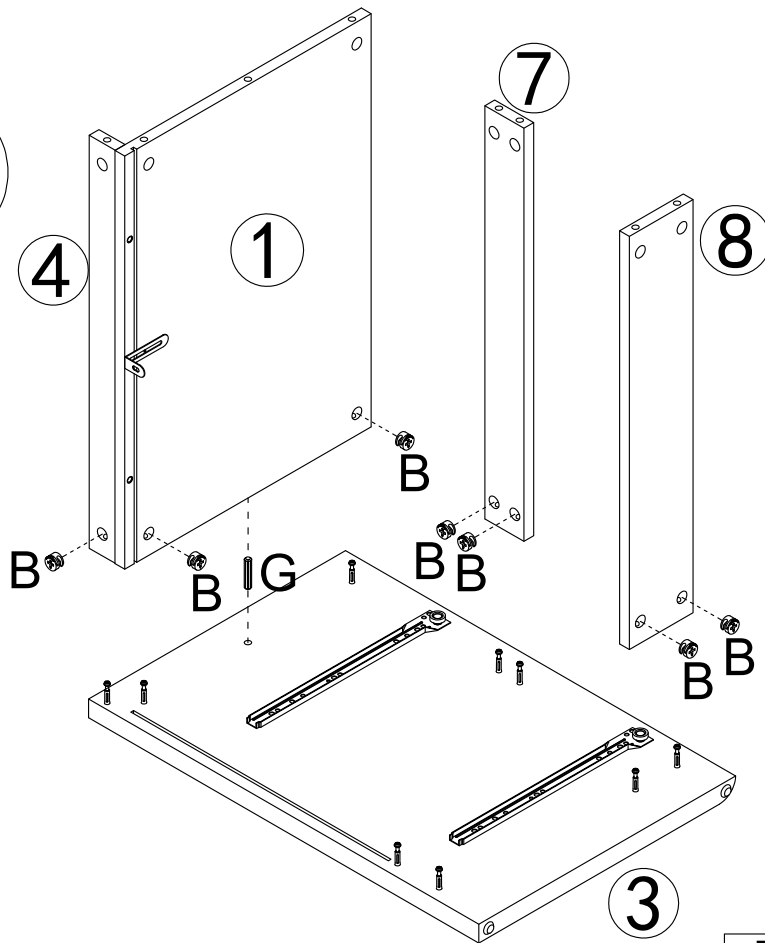
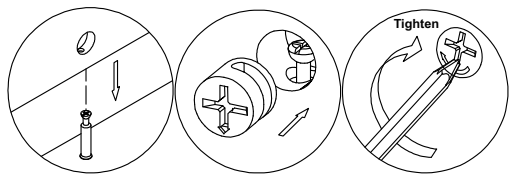
4





G	X1

F	X2
M5x40mm	

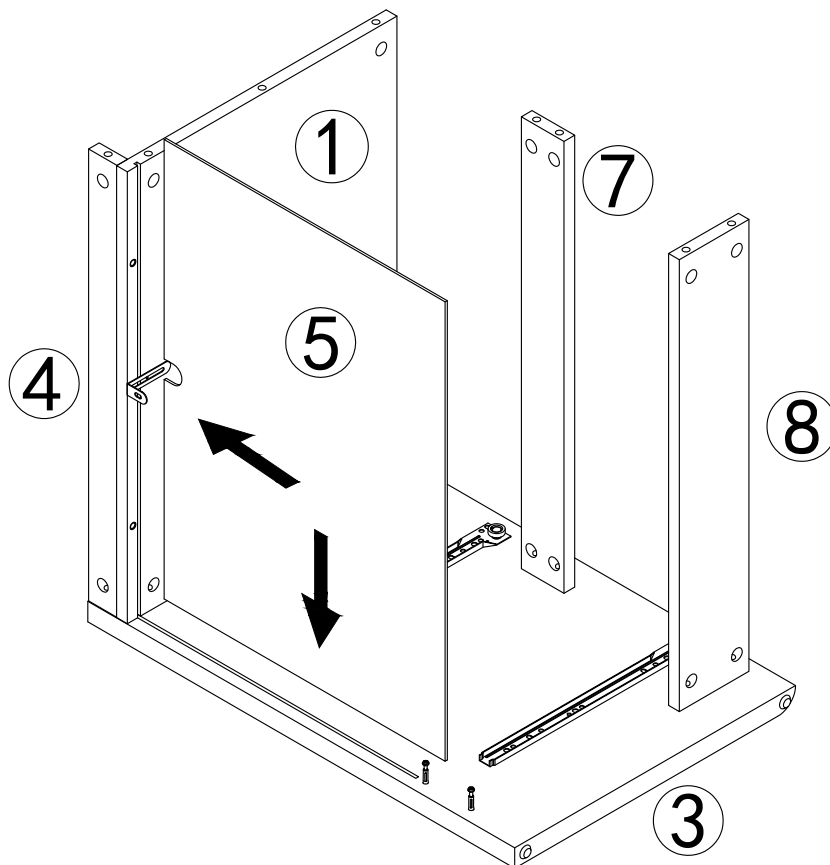
5



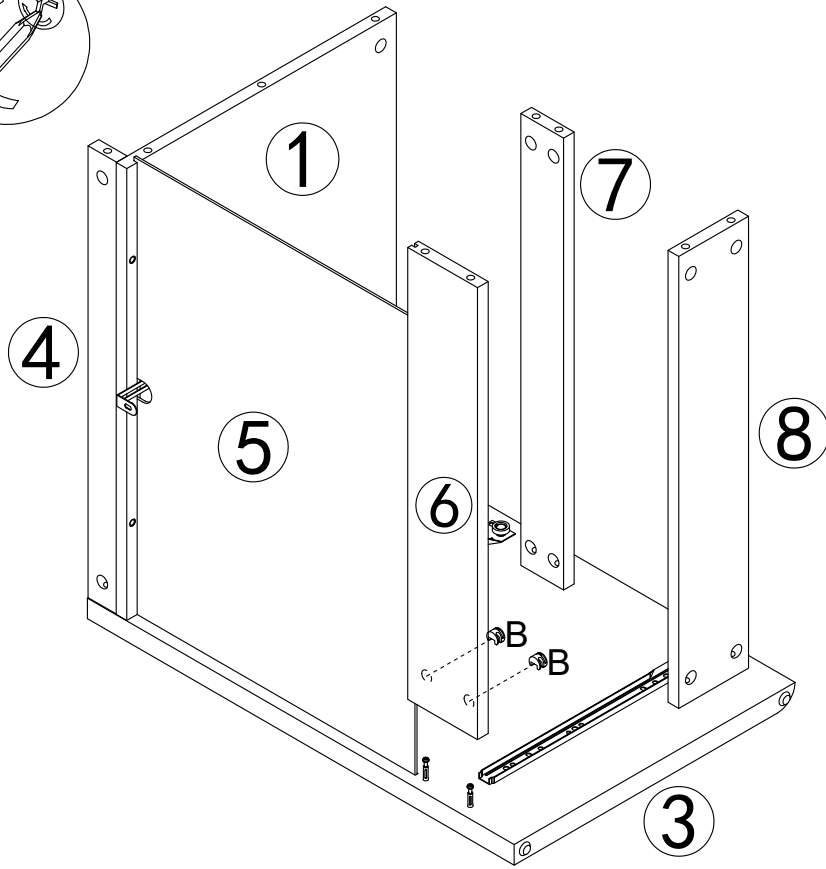
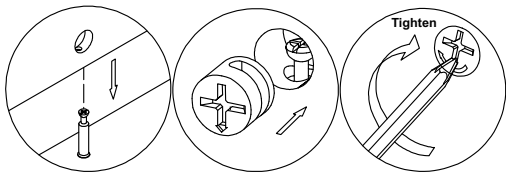
B	x7
	


G	x1
	

6

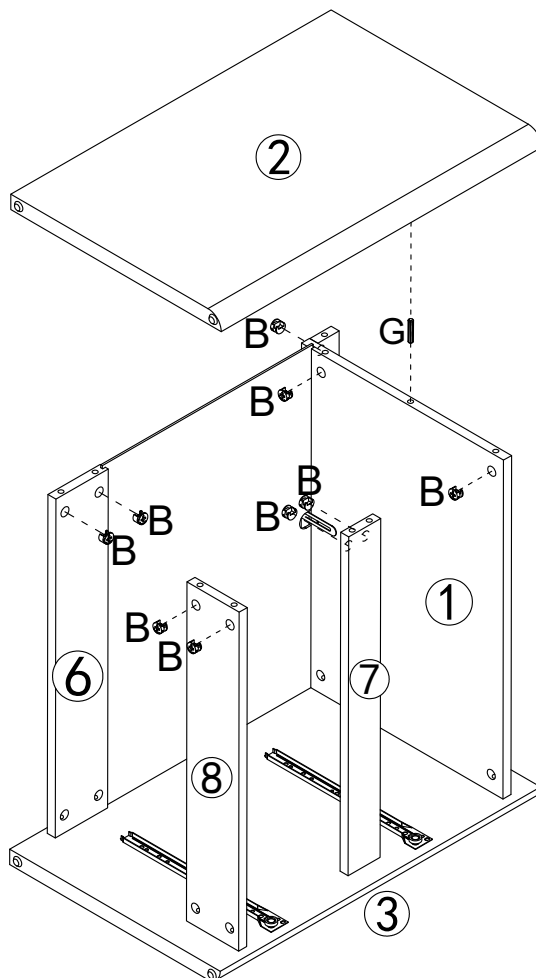
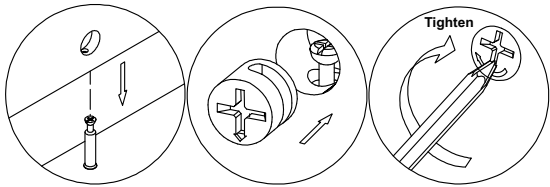



7




B	x2
	

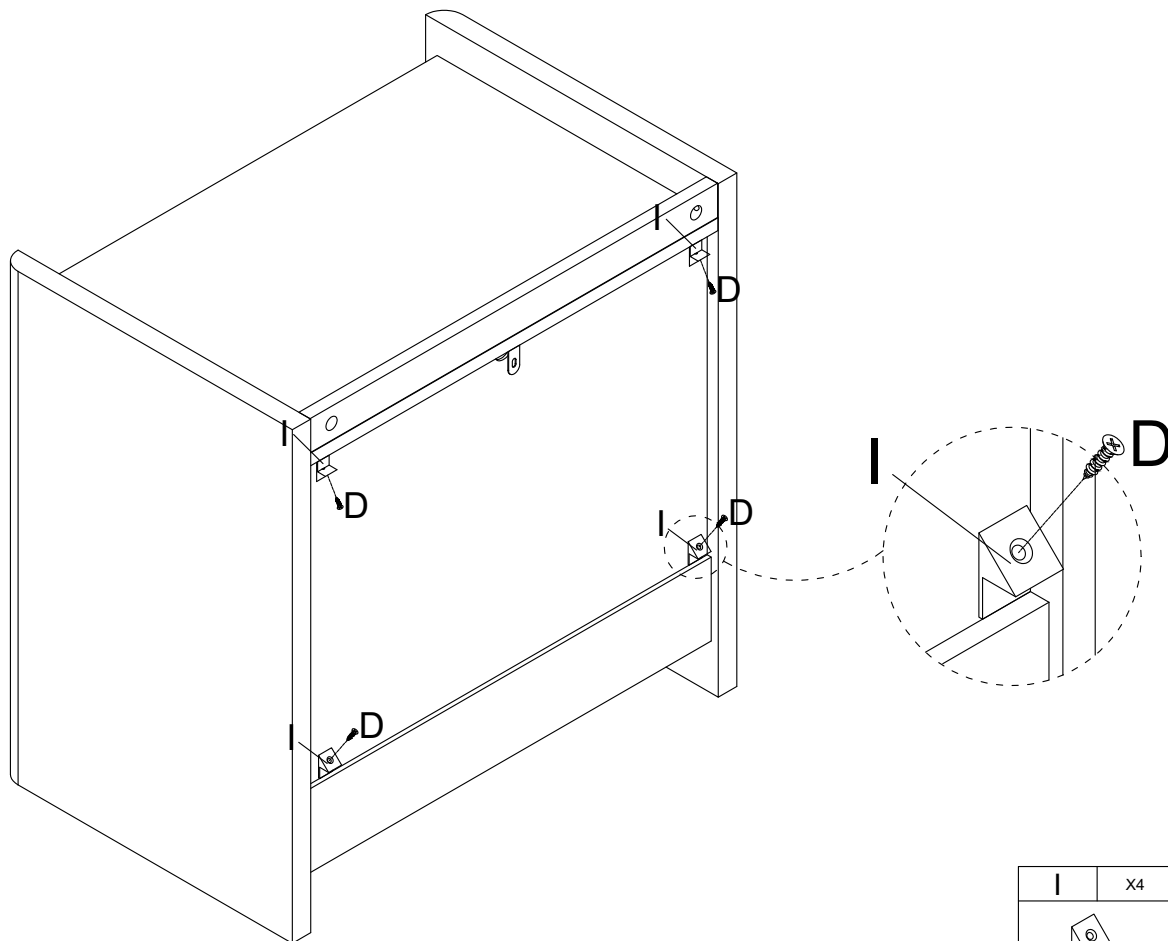
8





B	x9
	

G	x1
	

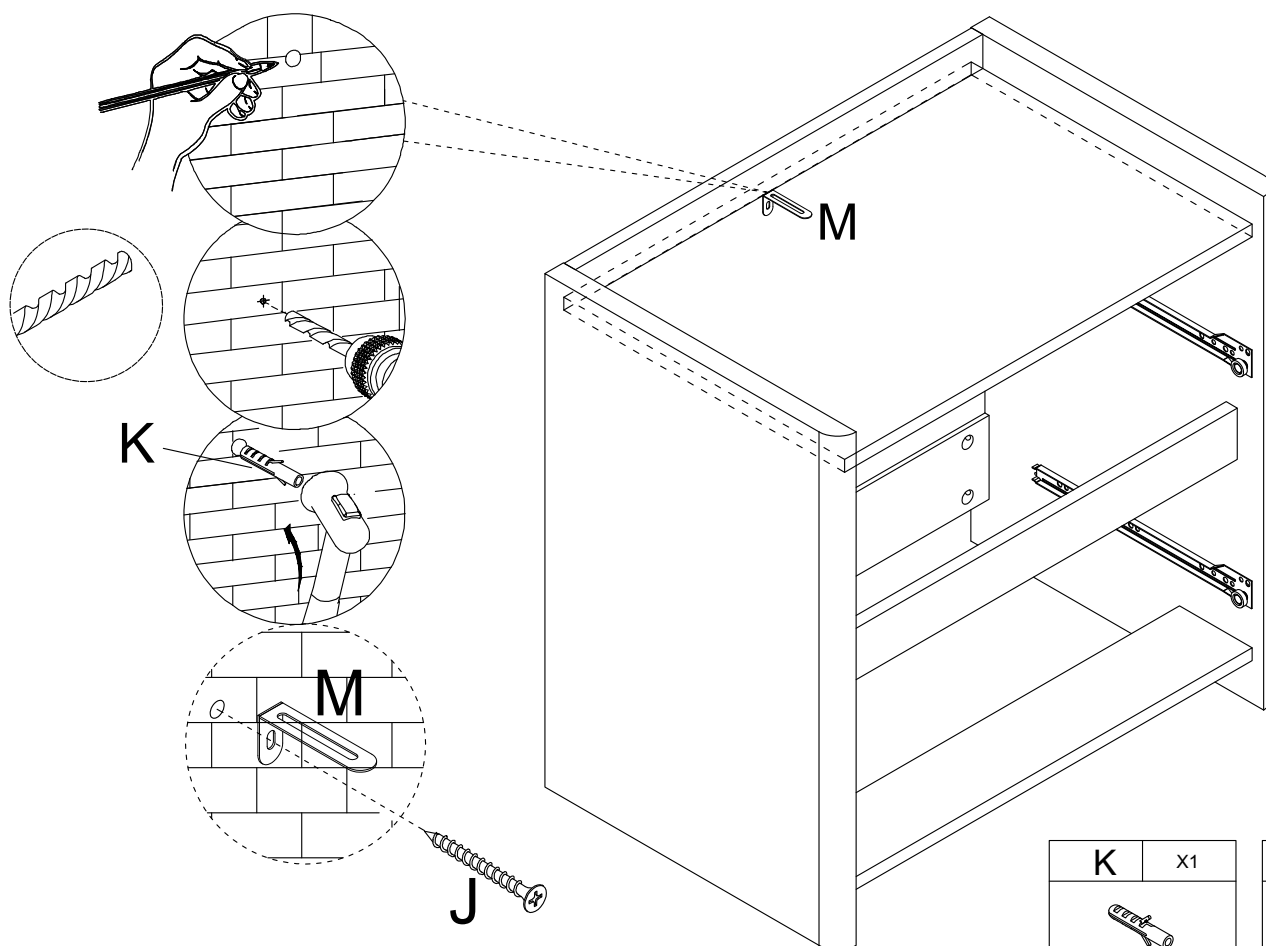
9





I	x4
	

D	x4
	
M3x16mm	

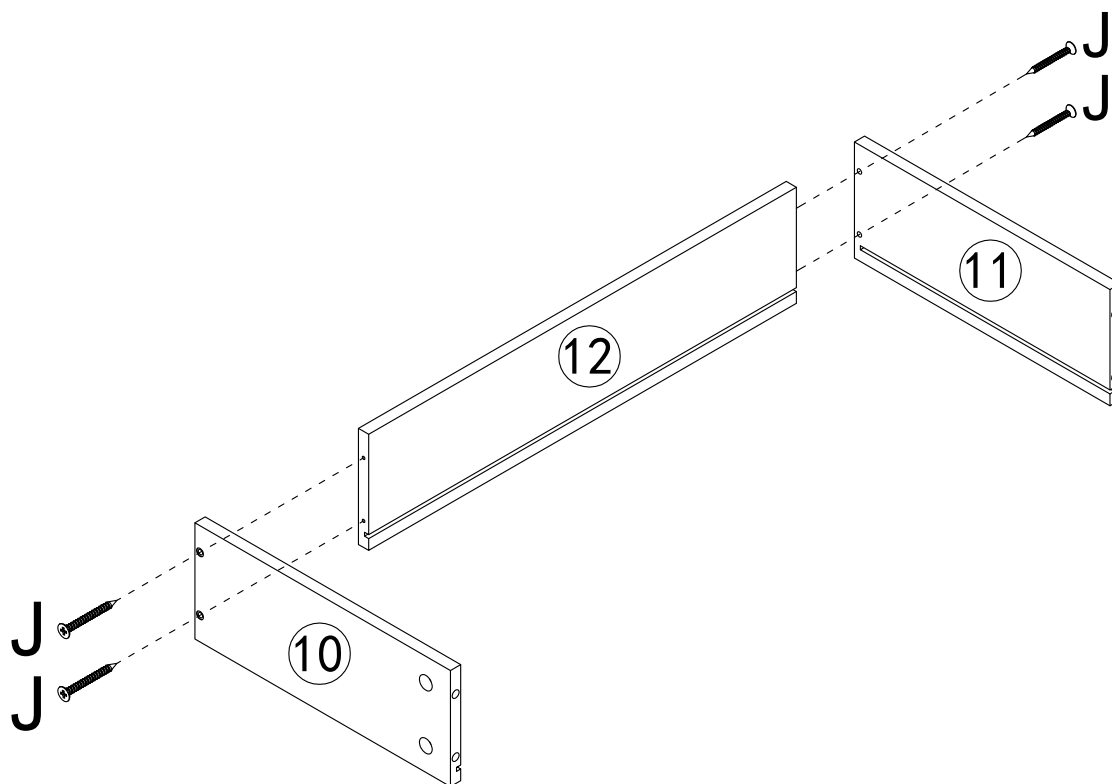
10




K	x1
	

J	x1
	
M4x35mm	

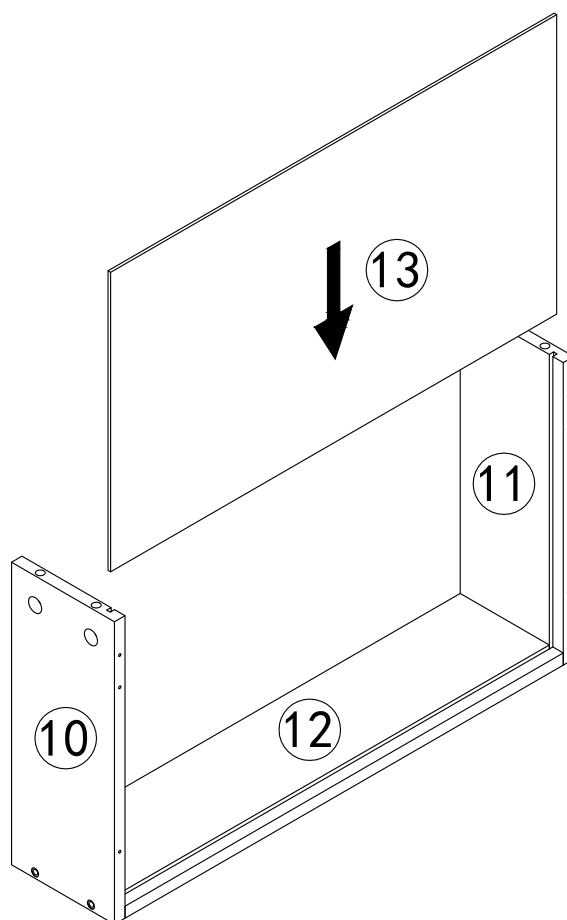
11



X2

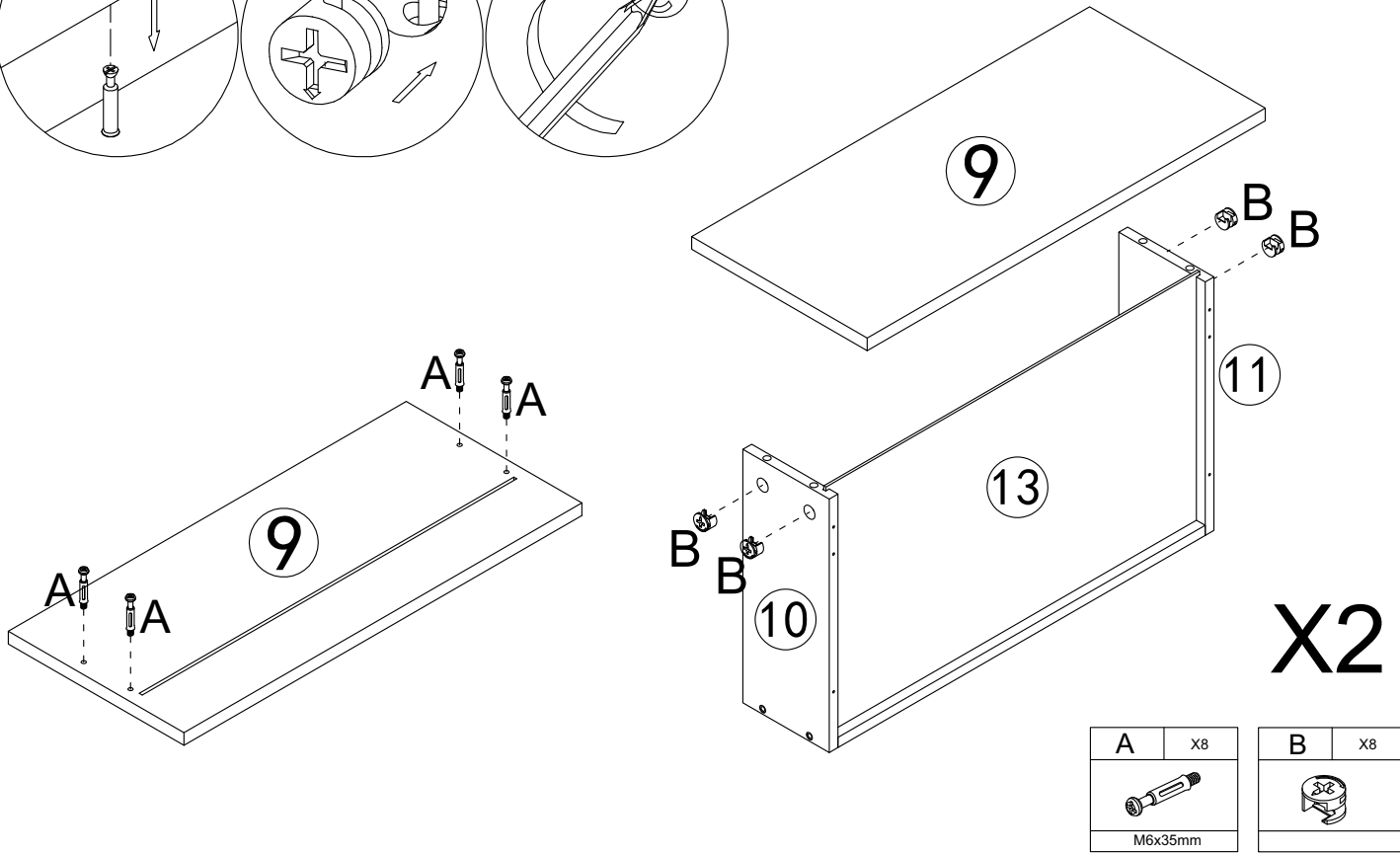
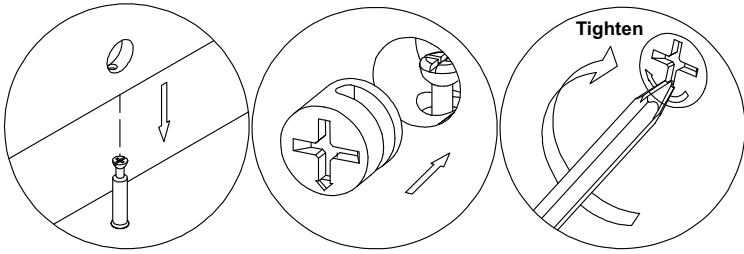
J	X8
	
M4x35mm	


12




X2

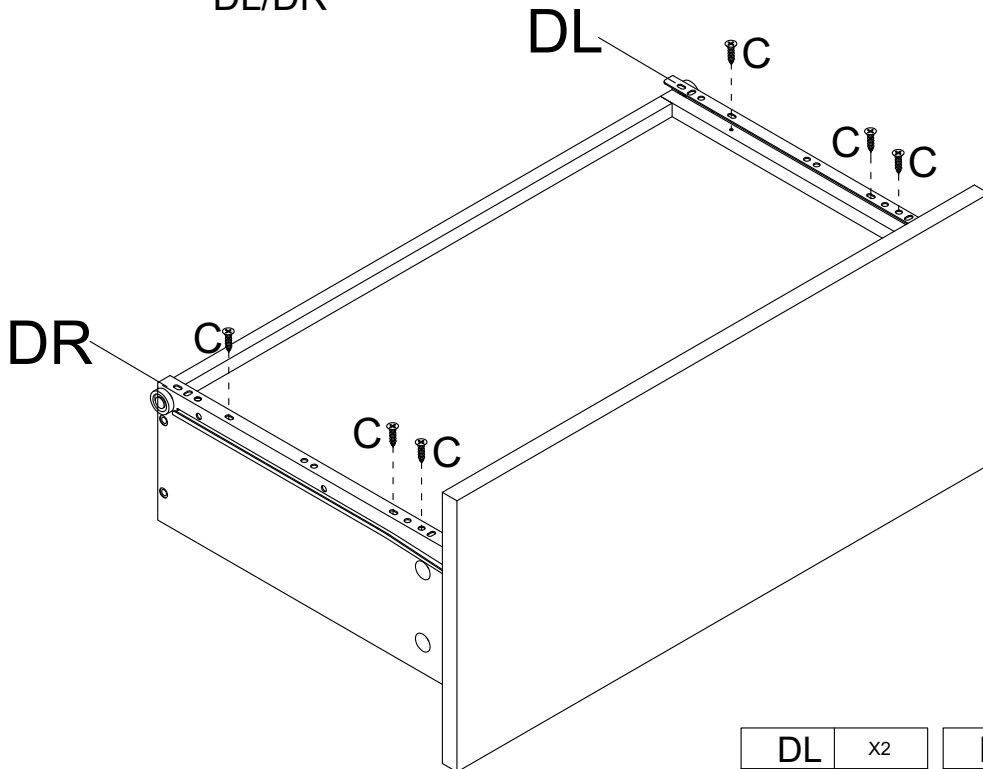
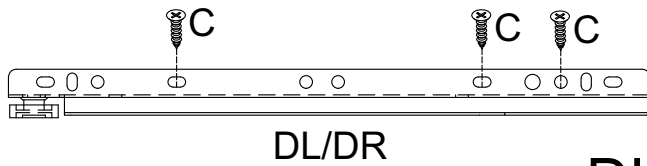
13




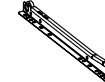
A	x8
	
M6x35mm	


B	x8
	

14



DL	x2
	

DR	x2
	

C	x12
	
M3.5x12mm	

15

