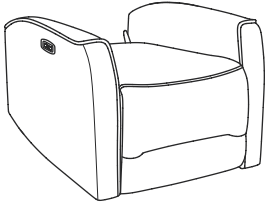




Assembly Instructions

Your recliner comes packaged in one box. Carefully remove all of components from the packaging and set aside for assembly.

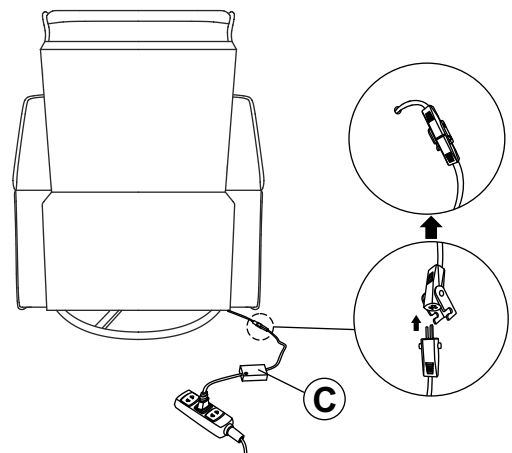
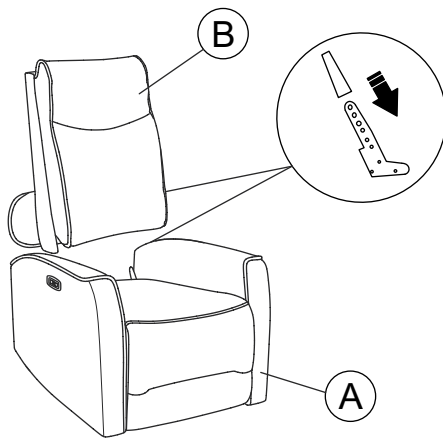
CAUTION:
DO NOT use any sharp objects to open plastic wrapped components as damage to product or components may result

Package Contents

		
Part A*1 Seat Body	Part B*1 Backrest	Part C*1 Adapter

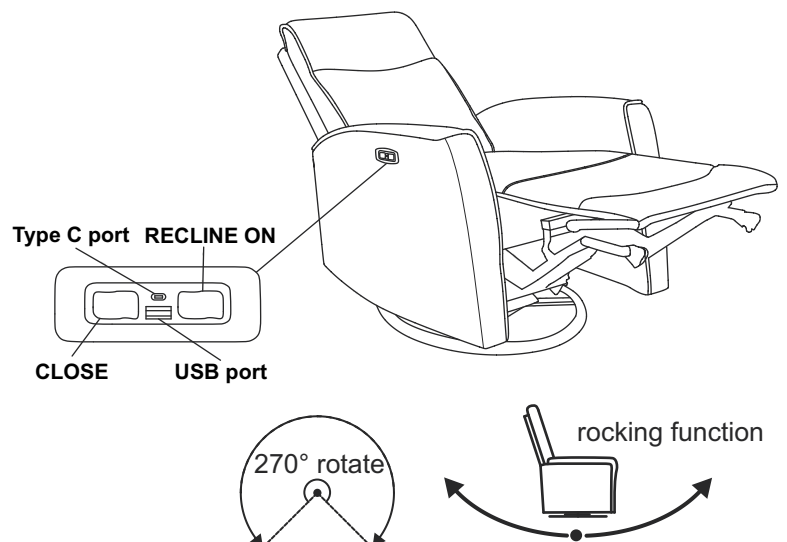
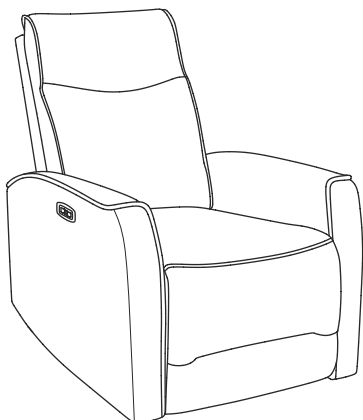
STEP 1 Attach **Backrest (B)** to **Seat Body (A)** by aligning the metal sliders.

STEP 2 Wire connect the Motor to the **Adapter (C)**.

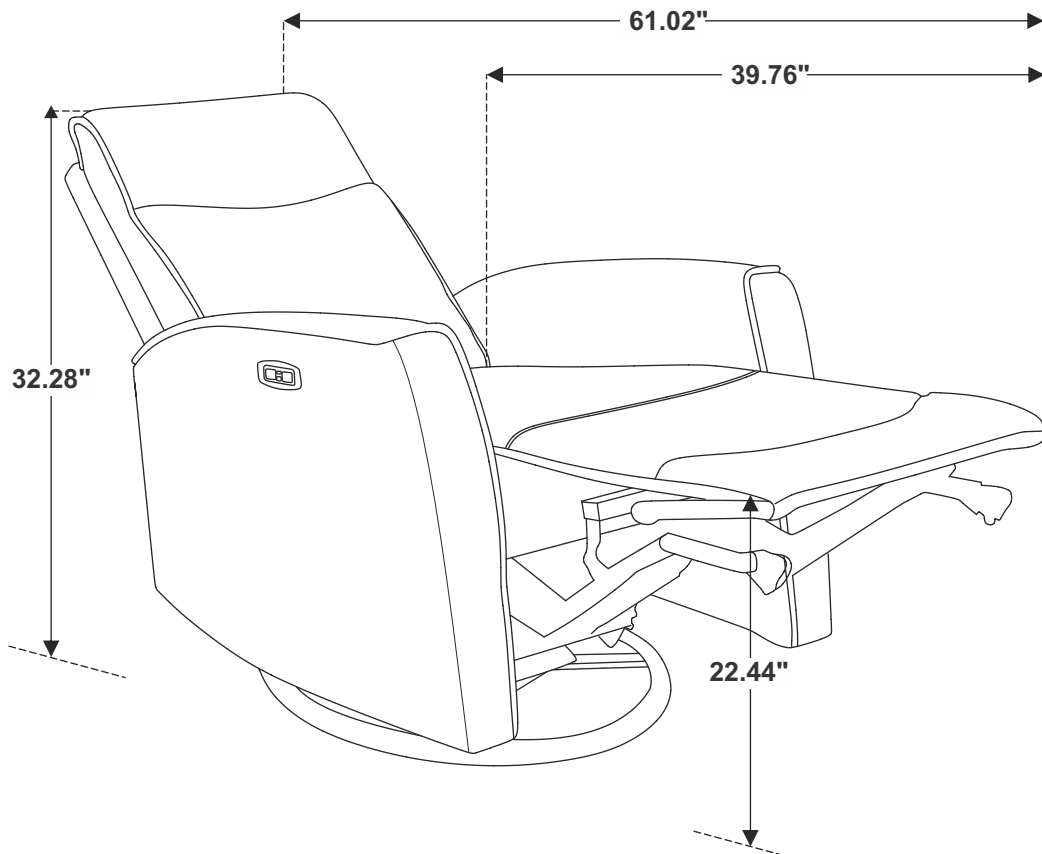
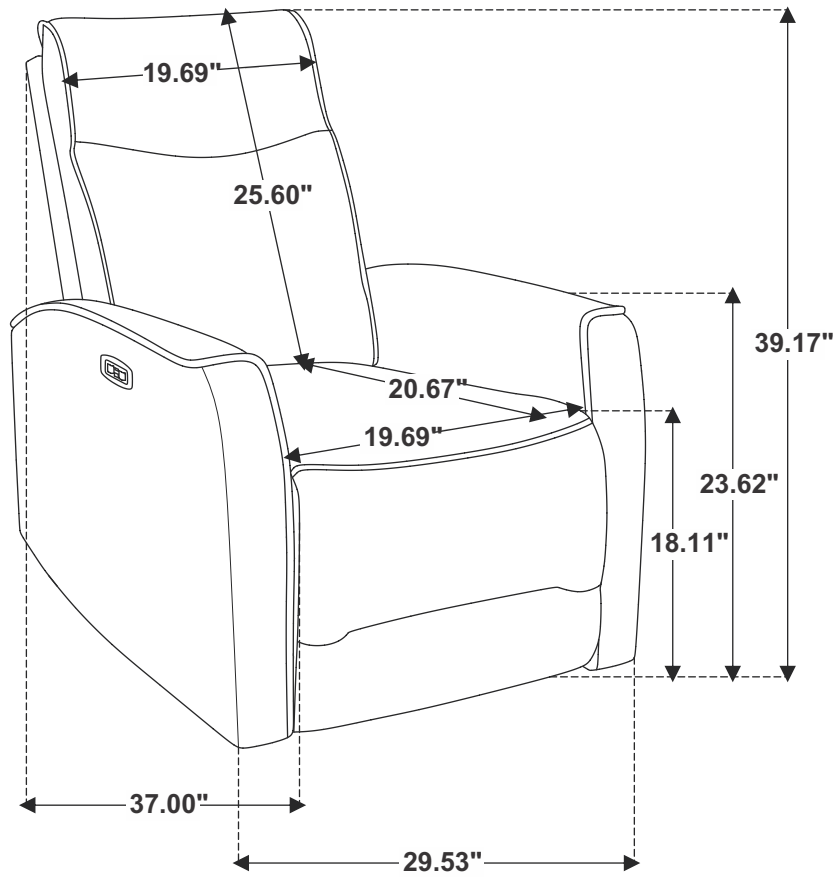


STEP 3

Assembly completed.



SIZE DIMENSIONS



Warnings

1. Please check if the components of the chair are all included and can be used normally.
2. Assemble all components according to the instruction correctly before you connect the chair to the power.
3. Please DO NOT sit on the armrests or footrest to eliminate the risk of tipping over.
4. If the chair is damaged or doesn't match the website description, please send clear pictures of the product and label of the carton to our service team for further help.
5. If the recliner doesn't work, you may try the following measures for self-checking firstly:
 - a) Check if all the cables are connected;
 - b) Check if the light of transformer is on.

If the chair still doesn't work, please feed the information back to our customer service in time and we'll help you solve the matter as soon as possible.

