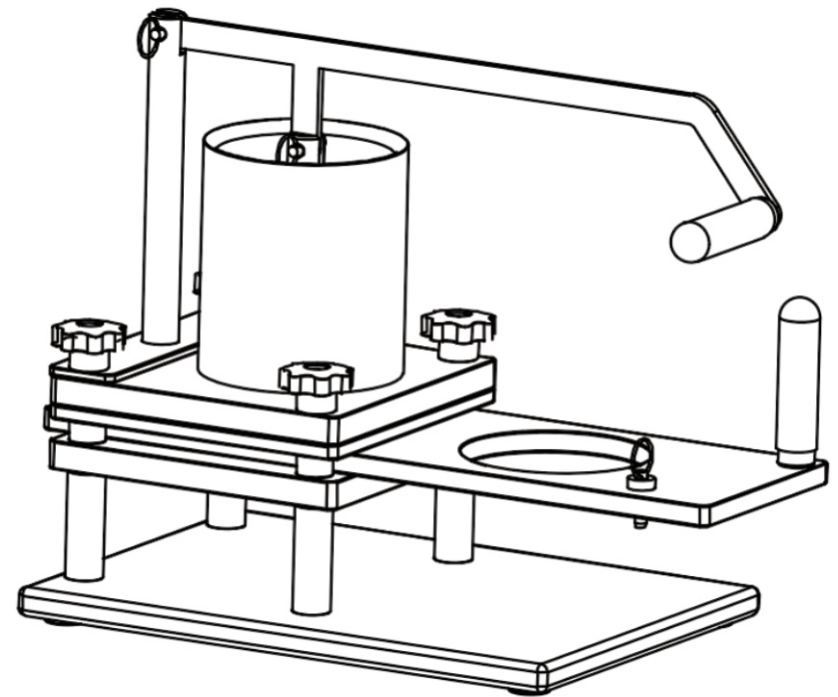
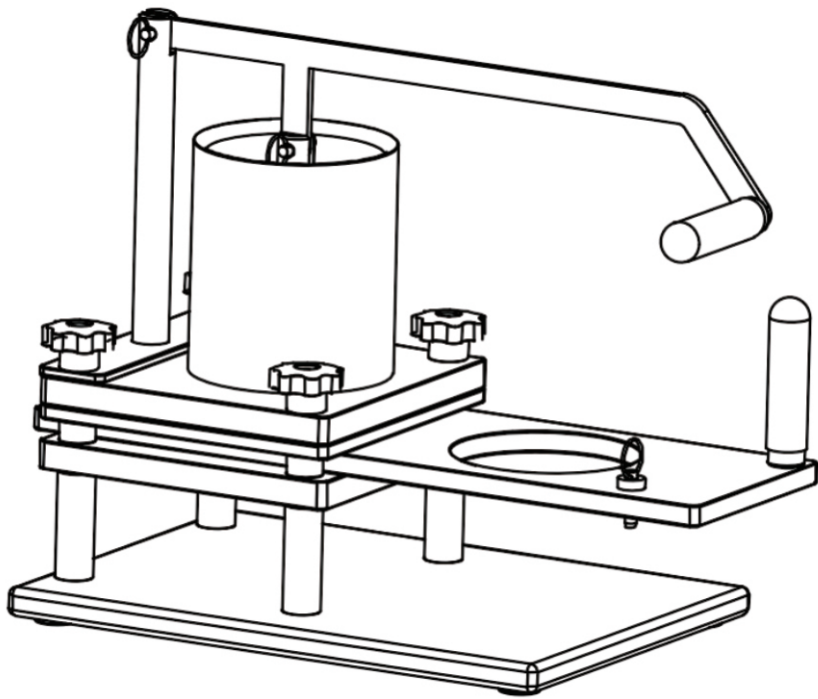
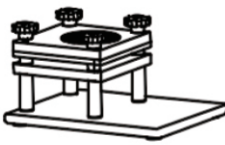









MANUAL HAMBURGER PRESS MACHINE

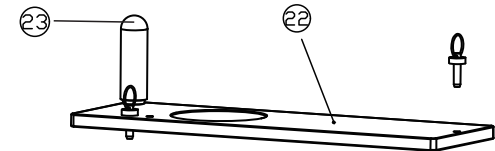
HR-110 HR-130



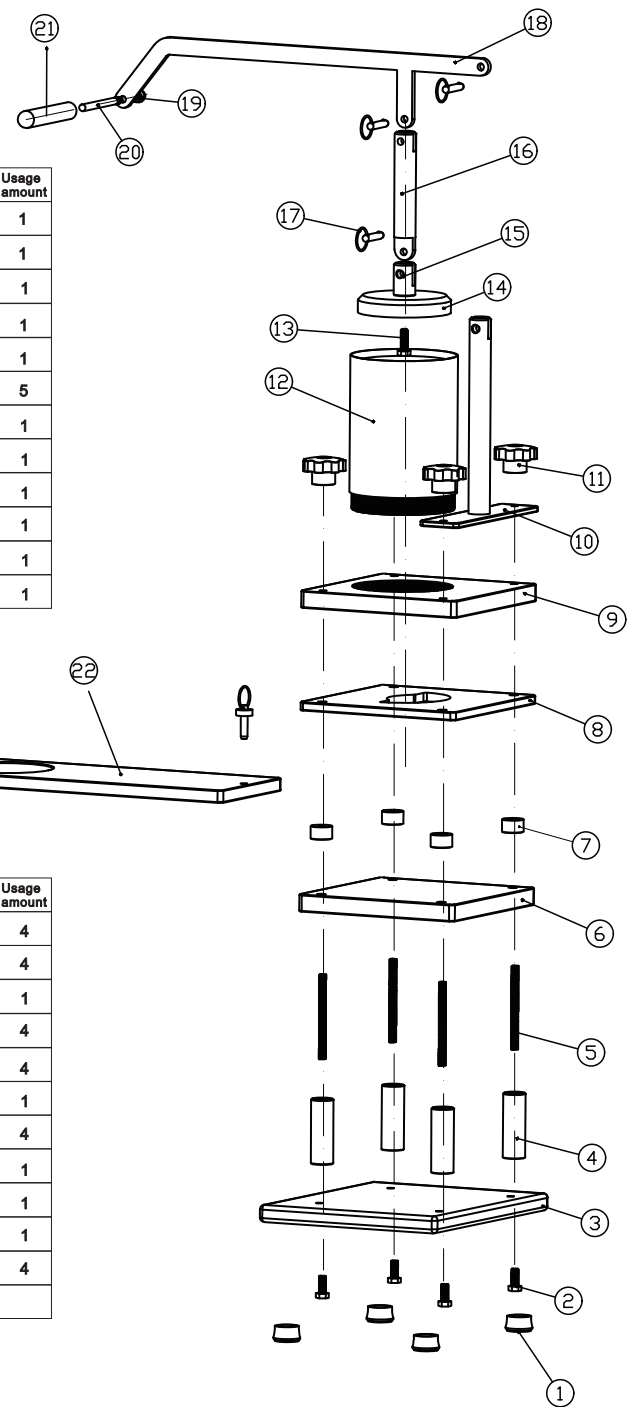


Ax1 	Bx1 	Cx1 	Dx1 
Ex1 	Fx1 	Gx2 	Hx2 

Serial number	Parts	Usage amount
12	Cylinder	1
13	M6*25 screw	1
14	Molding pressure plate	1
15	Connector	1
16	Connecting rod	1
17	Gib	5
18	Strut	1
19	Cap-shaped nut	1
20	Strut handle spindle	1
21	Strut handle	1
22	Sliding plate	1
23	Sliding plate handle	1



Serial number	Parts	Usage amount
1	Suction cup	4
2	M8*35 screw	4
3	Plate	1
4	Long cushion column	4
5	Stainless steel screw	4
6	Sliding bottom plate	1
7	Short cushion column	4
8	Half round orifice	1
9	Cylindrical fixed plate	1
10	Strut bar base	1
11	Seven star knob	4

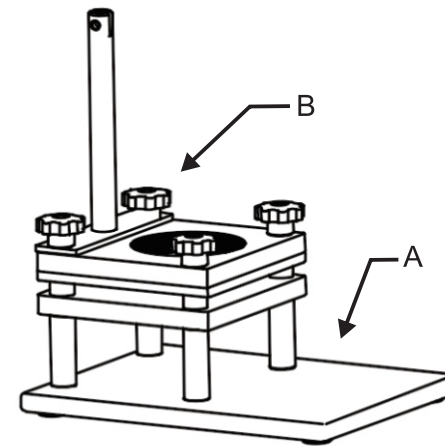


Cleaning Instructions:

- 1) Unscrew 4 knobs from threaded studs. This will allow you to disassemble all of the component parts of the Machine.
- 2) Lift off the Pivot Bar & Pivot Bar Base from the threaded studs. This will also remove the Lever c/w Handle, Connecting Arm and Piston assembly. These items can be cleaned as an assembly or you can take three components apart by pulling out the 3 Pivot or Stop Ring Pins that hold this assembly together and clean them individually.
- 3) Lift off the Top Plate with Fill Tube from the threaded studs. The Fill Tube can be unscrewed from the Top Plate.
- 4) Lift off the 4 Stanchions from the 4 threaded studs.
- 5) Remove the Mold Plate from the Bed Plate.
- 6) Remove the Bed Plate from the 4 threaded studs. All items, including the Base, can be brought to a sink for cleaning and sanitizing. To reassembly the machine, reverse the above procedure.

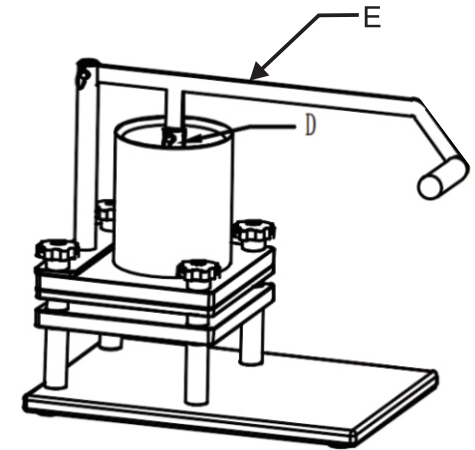
Step1

Unscrew 2 knobs, put the B fitting on the screw and tighten the two knobs



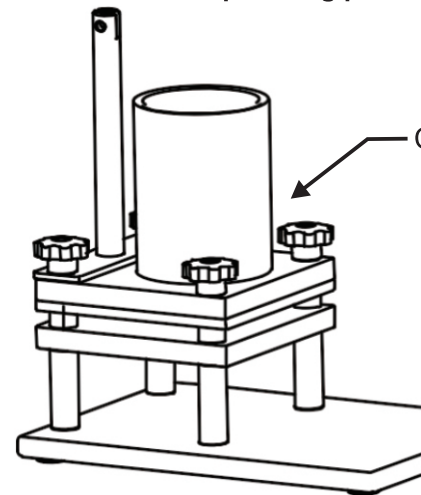
Step3

Use Ring pin connect the D and E



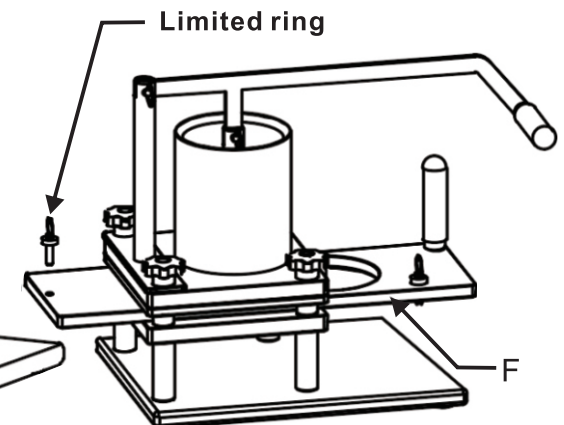
Step2

Tighten C clockwise in the corresponding position

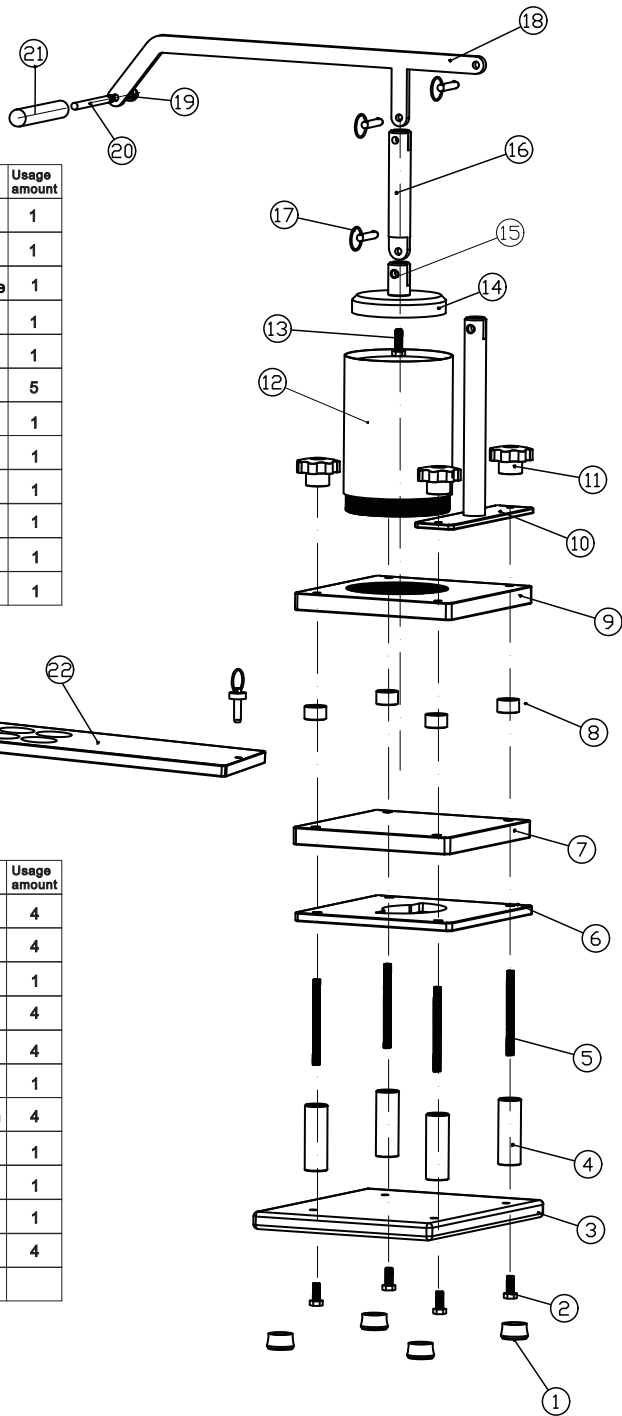


Step4

Unscrew limited ring pin then insert the F then tighten the limited ring pin.

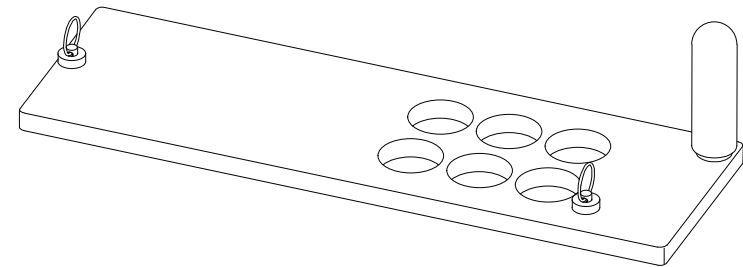
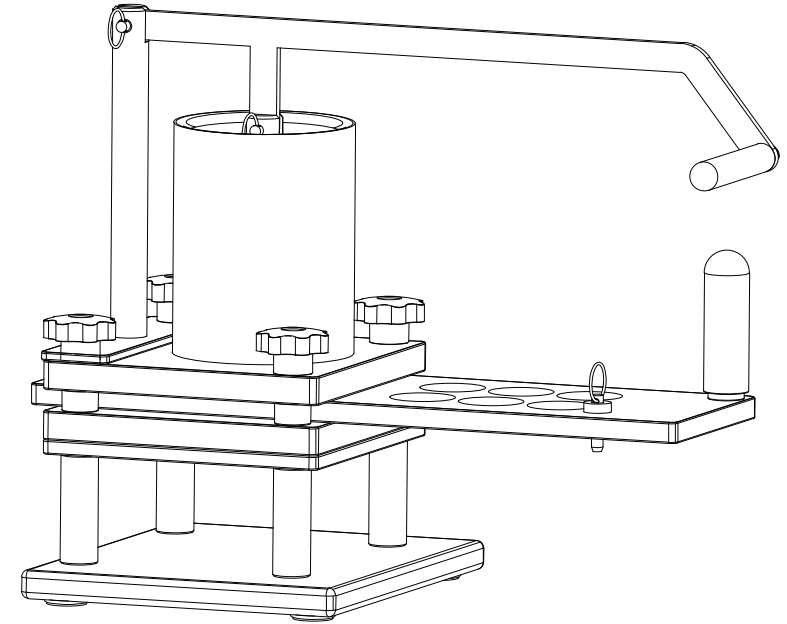


Serial number	Parts	Usage amount
12	Cylinder	1
13	M6*25 screw	1
14	Molding pressure plate	1
15	Connector	1
16	Connecting rod	1
17	Gib	5
18	Strut	1
19	Cap-shaped nut	1
20	Strut handle spindle	1
21	Strut handle	1
22	Sliding plate	1
23	Sliding plate handle	1



Serial number	Parts	Usage amount
1	Suction cup	4
2	M8*35 screw	4
3	Plate	1
4	Long cushion column	4
5	Stainless steel screw	4
6	Sliding bottom plate	1
7	Short cushion column	4
8	Half round orifice	1
9	Cylindrical fixed plate	1
10	Strut bar base	1
11	Seven star knob	4

3



4