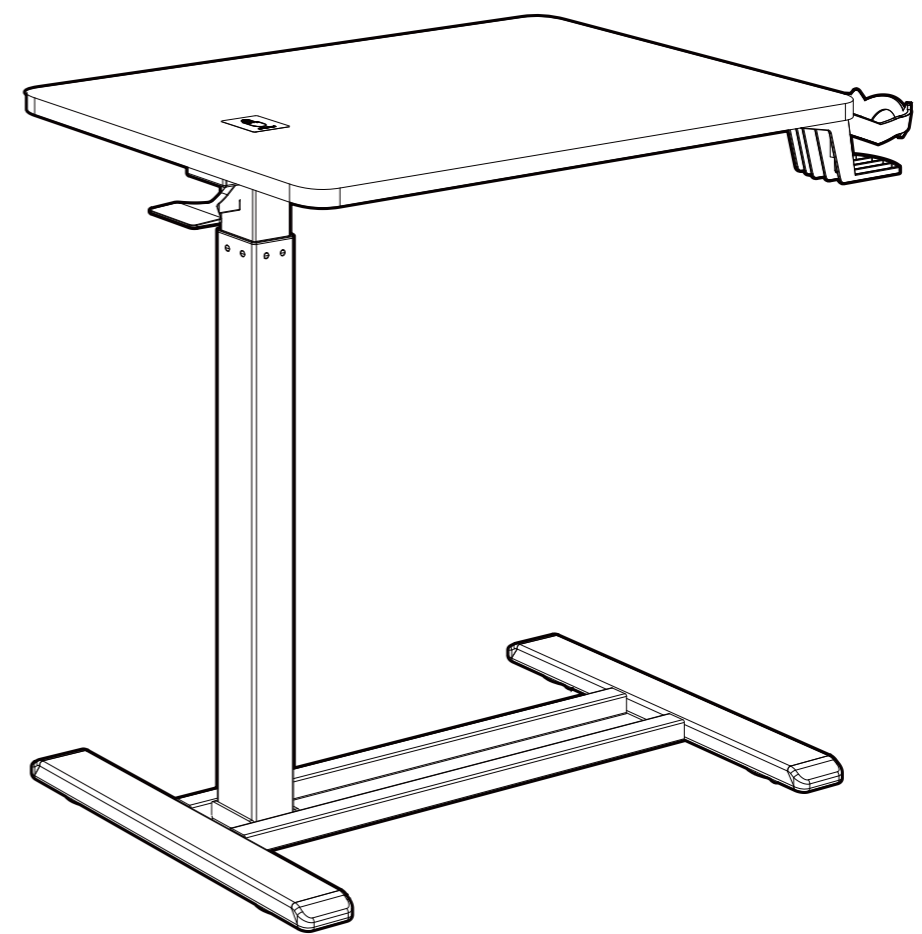


Overbed Table



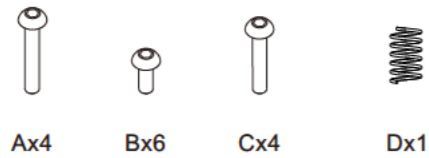
Specifications

Max. load Capacity	15.4 lbs (7KG)
Tabletop Dimensions	31.5" (800 mm) x 17.7" (450 mm)
Max. Height	41.7" (1060mm)
Min. Height	26.0" (660mm)

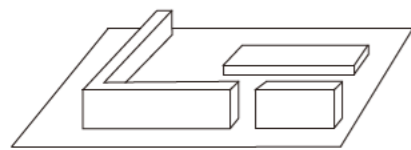
List

Accessory List

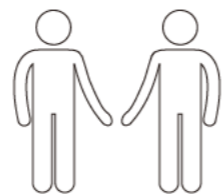
Note: The following line drawings are for reference only and in some cases may be different from the actual part; please refer to the actual part. If you find missing parts or have installation problems, please contact customer service.



Preparation for installation







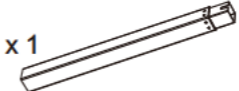



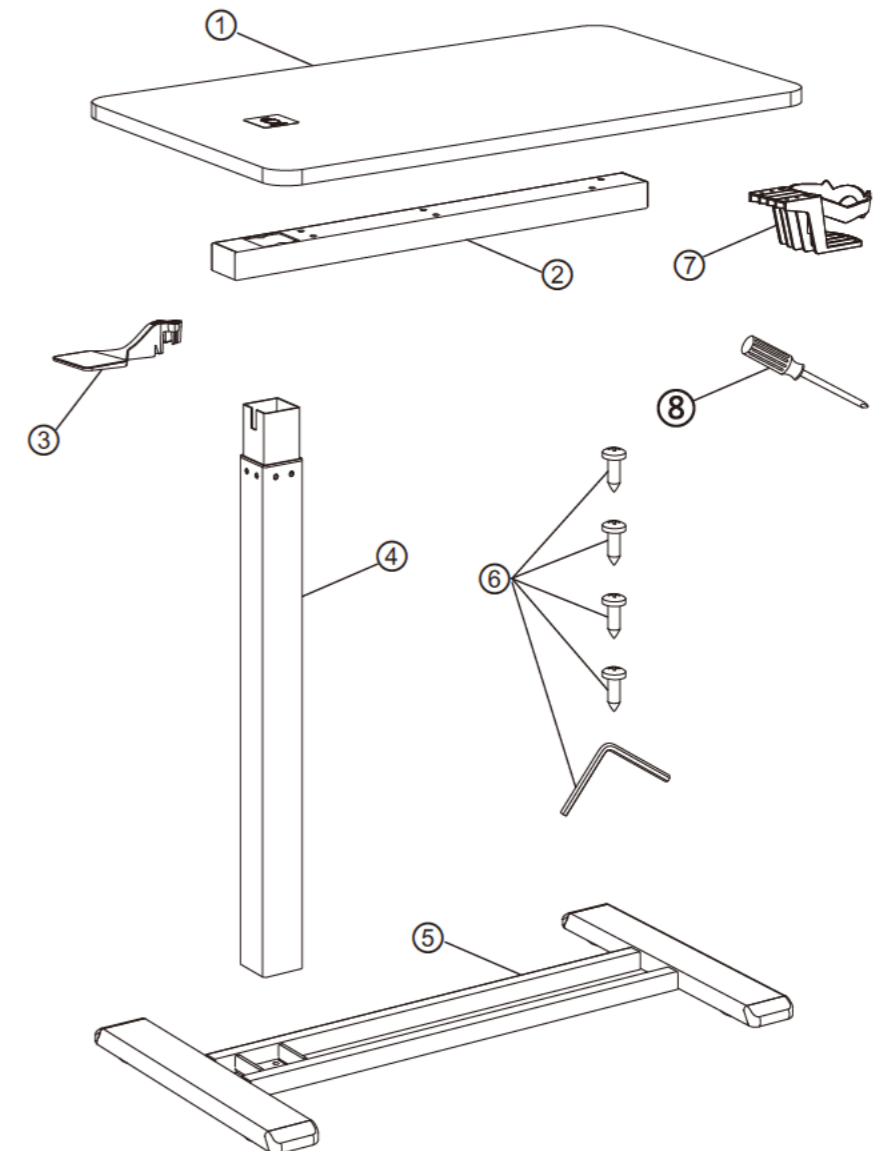
Assemble on carpet to prevent scratches



Cooperative assembly

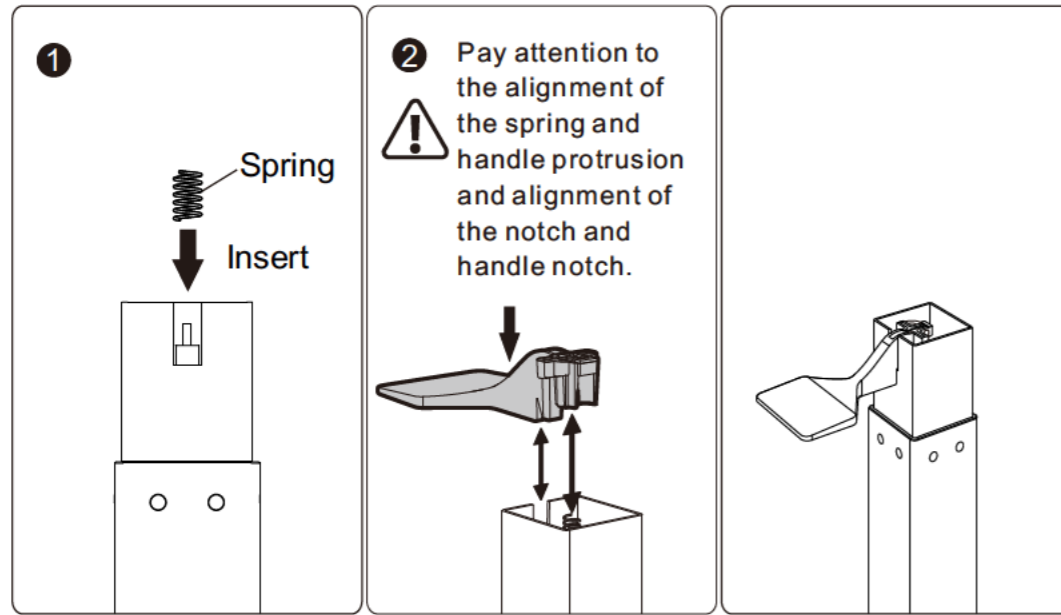
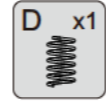
Part List

No.	Part	No.	Part
①	Tabletop x 1 	⑤	Base x 1 
②	Crossbeam x 1 	⑥	Wrench x 1 ST4.2*13 x 4 
③	Handle x 1 	⑦	Cup holder x 1 
④	Lifting Column x 1 	⑧	Phillips screwdriver x 1 

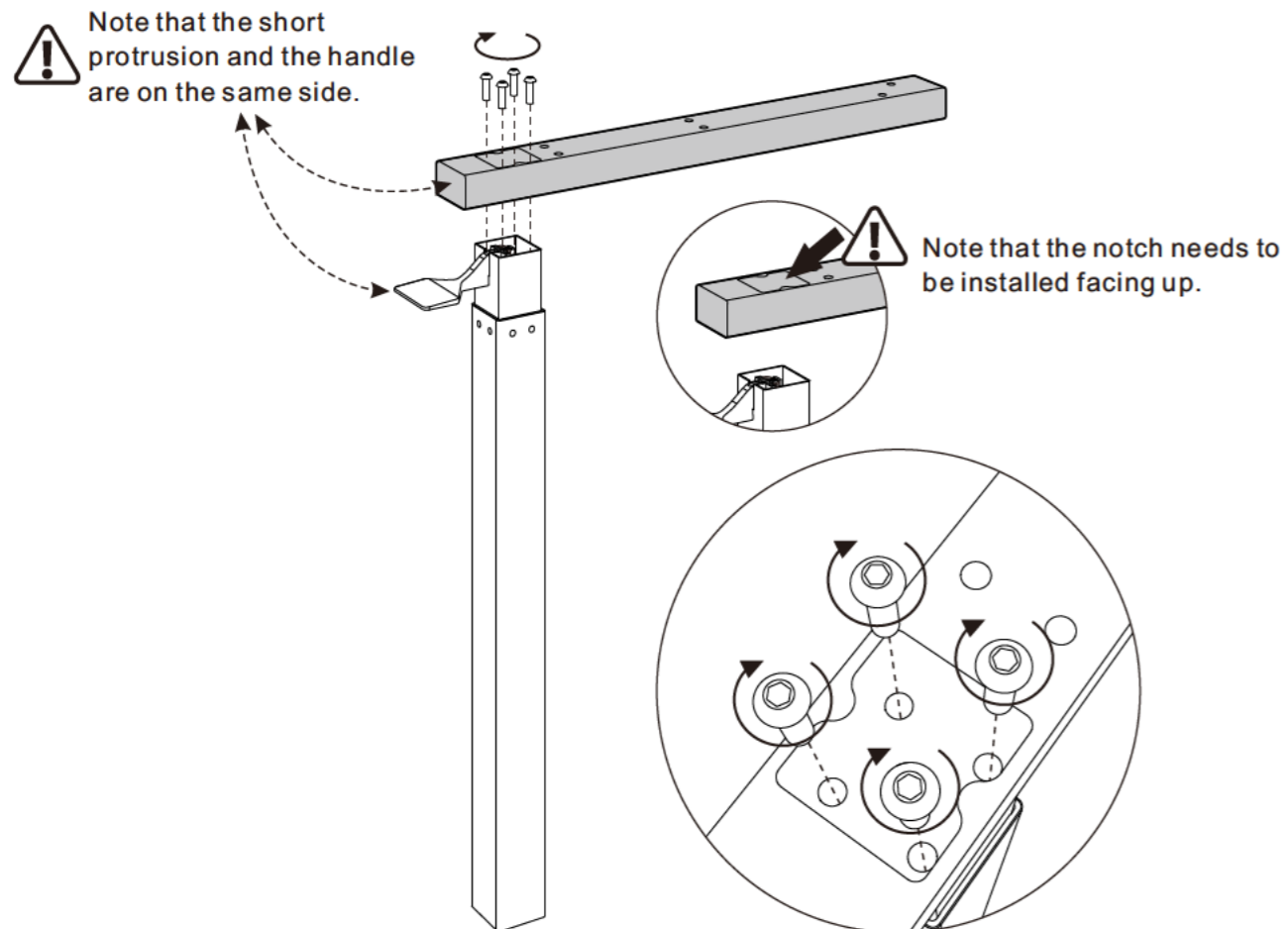
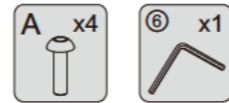


Installation steps

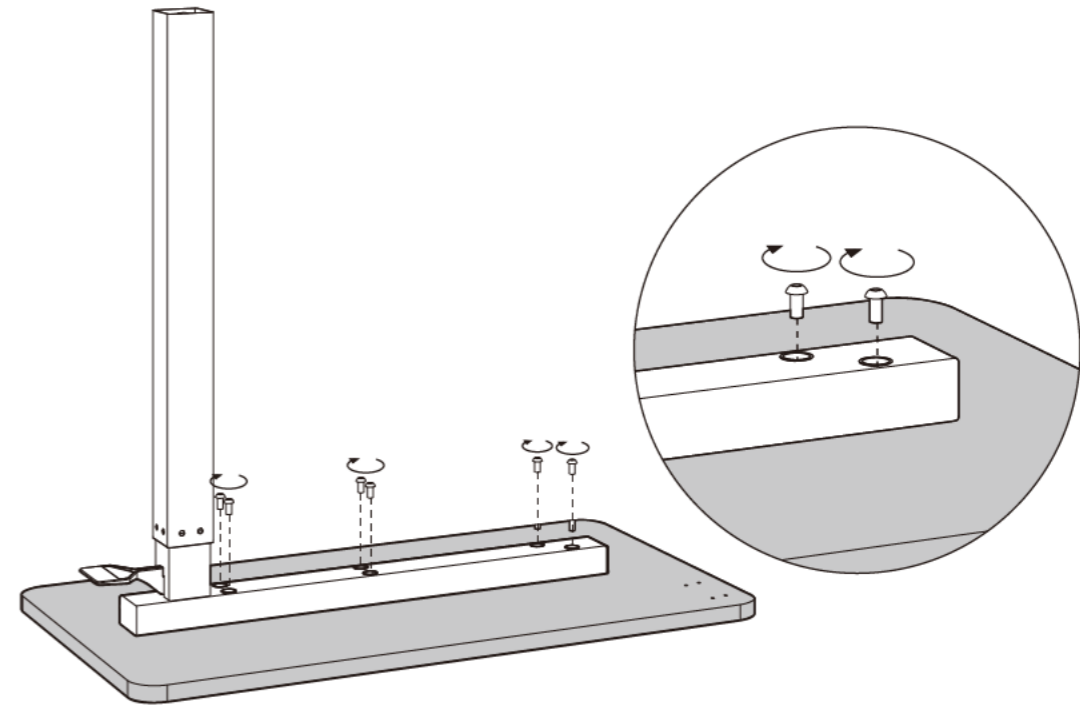
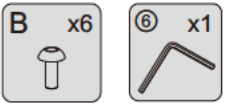
Step 1: Install the column



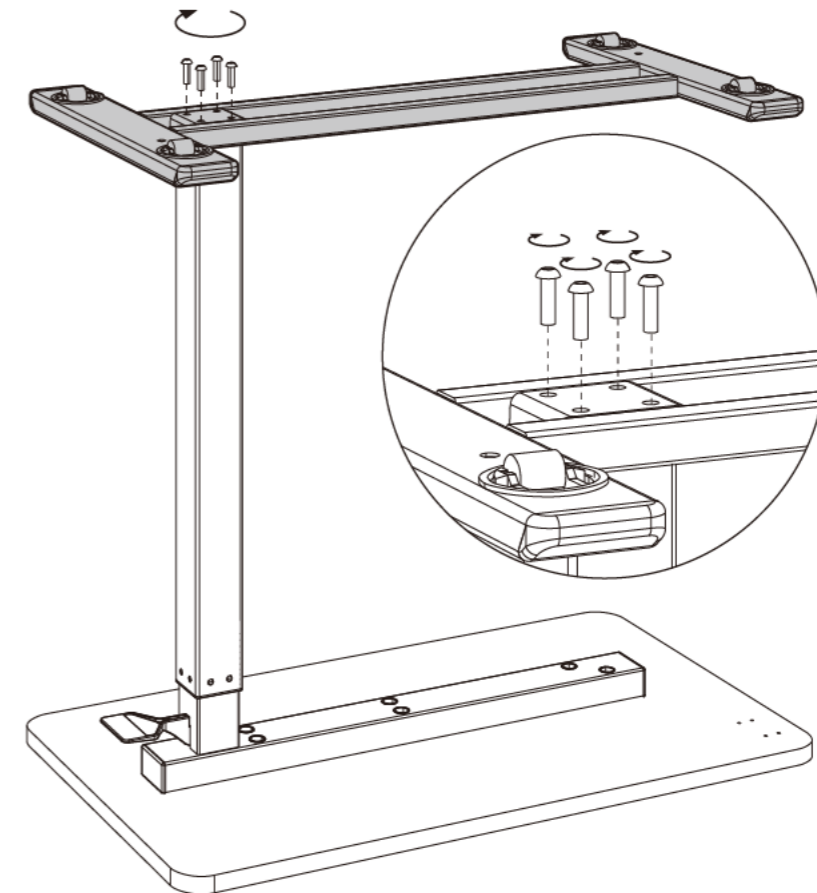
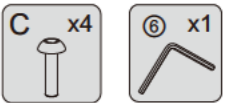
Step 2: Install the crossbeam



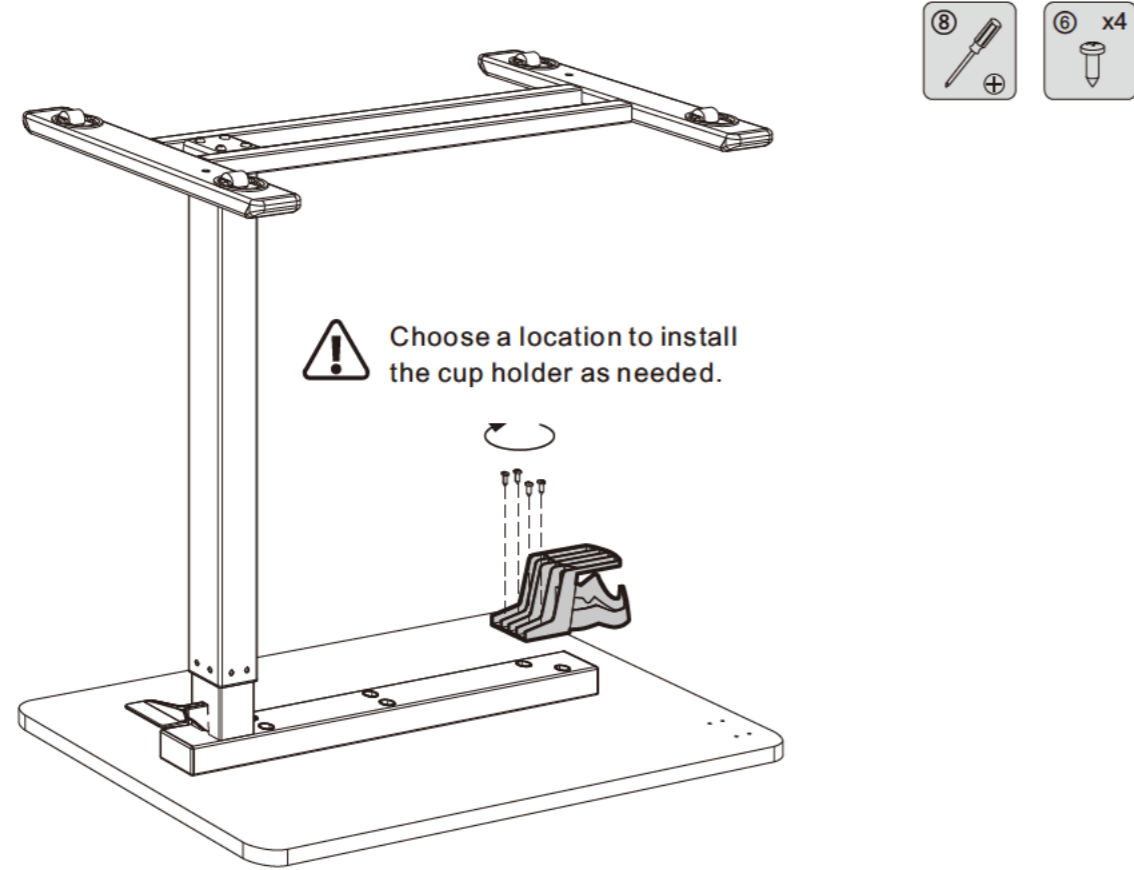
Step 3: Install the tabletop



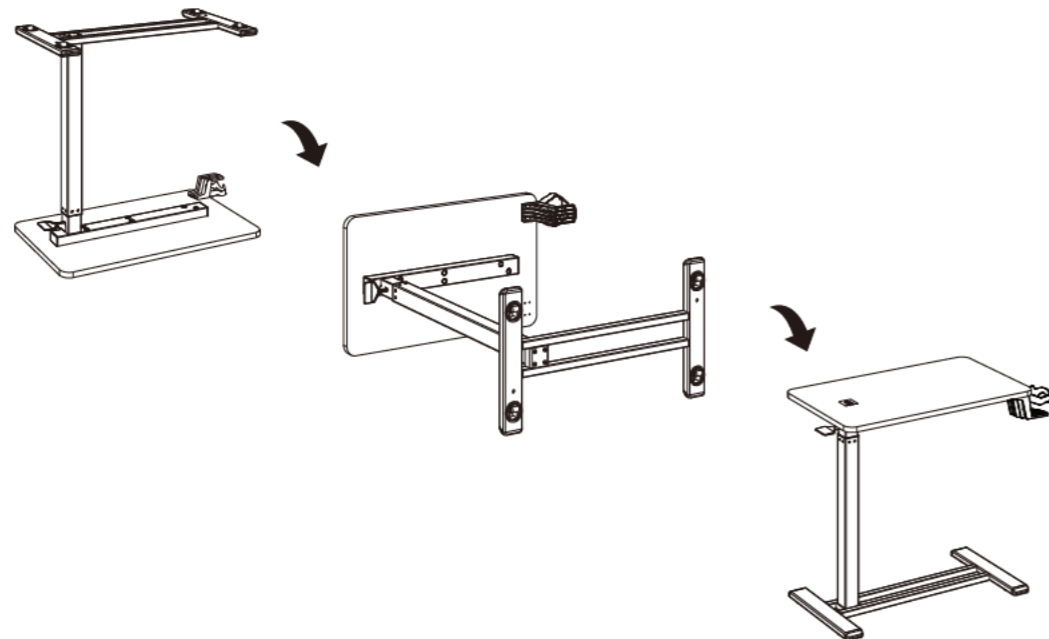
Step 4: Install the base



Step 5: Install the cup holder

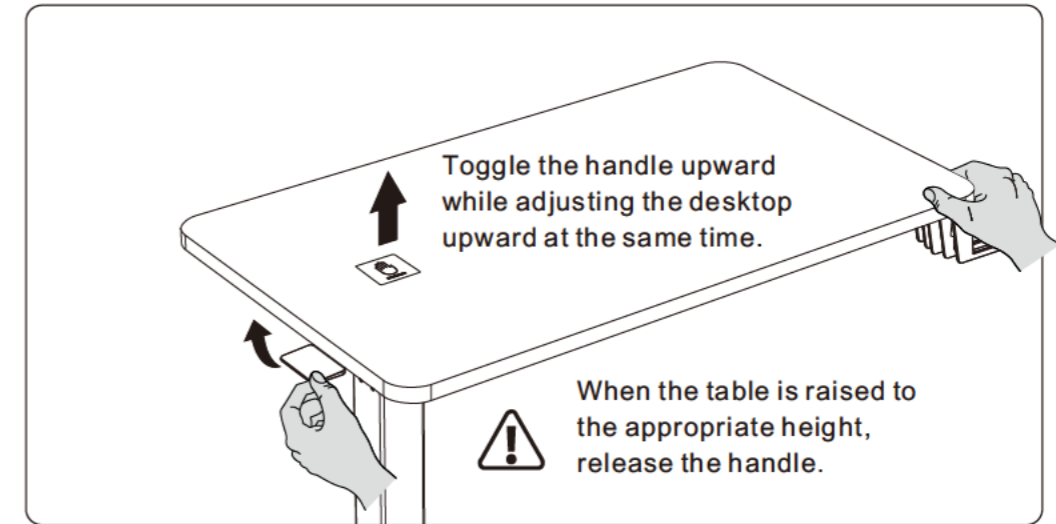


Step 6: Turn over the desk

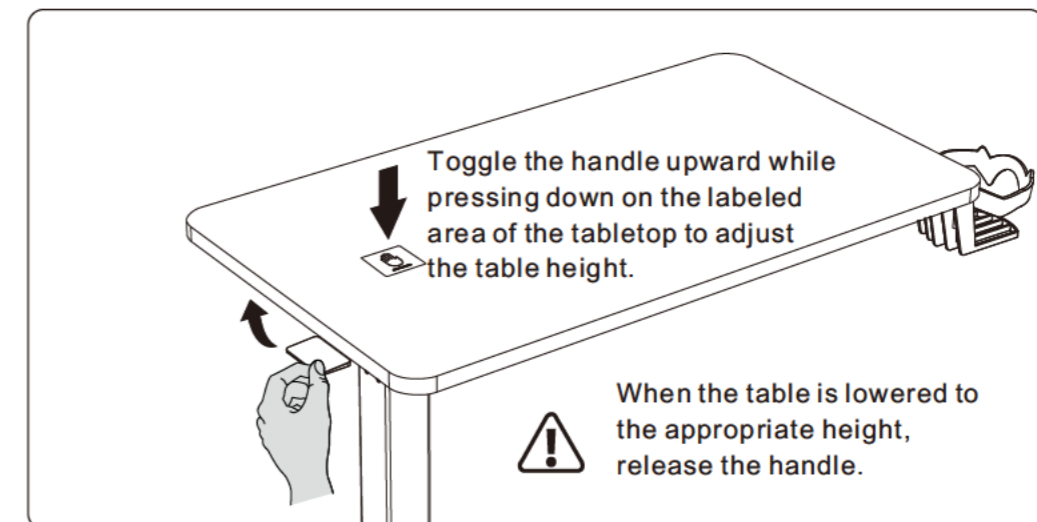


Step 7: Adjusting the desk height

To adjust the height upwards



To adjust the height downwards



Attention

This product contains small parts that are a choking hazard if swallowed, so please keep these small parts away from children.

- Make sure you have read the instructions and fully understand how to install the product before installing it, if you do not understand any of the installation steps, please contact a professional installer.
- Keep children away from electric height-adjustable desks, control units and handsets. Manufacturer is not responsible of any damages that result from children's unpredictable behaviour.
- Understand the risks associated with using this product. Children aged or under 7 and those with cognitive impairment should not use this product with supervision. Children should not be allowed to play with it.
- Cleaning and user maintenance must not be carried out by children without supervision.
- Please operate in a clean and safe environment. For example, do not left around your tools. And always be careful to deal with packaging materials, in order to avoid any kinds of possible danger. Potential chocking risk exists when children play with plastic bags!
- If necessary, retain the original package for future transportation.

Recycling and Disposal



This product cannot be disposed of as household waste. To prevent damage to the environment, this product should be recycled. Please use the relevant recycling systems available to you or contract the distributor or manufacturer for recycling assistance.